

TS25NCEU

Parts Catalog

# 목 차

---

---

## 1. Engine PART NO. EG

FIG CYLINDER BLOCK(TS25)	7
FIG CYLINDER BLOCK(TS23)	9
FIG CAMSHAFT & DRIVING GEAR(TS23)	11
FIG CRANKSHAFT & PISTON(TS25)	13
FIG CRANKSHAFT & PISTON(TS23)	15
FIG LUB. OIL SYSTEM	17
FIG COOLING WATER SYSTEM	19
FIG FUEL INJECTION PUMP(TS25)	21
FIG FUEL INJECTION PUMP(TS23)	23
FIG GOVERNOR(TS25)	25
FIG GOVERNOR(TS23)	27
FIG FUEL INJECTION VALVE(TS25)	29
FIG GEAR HOUSING(TS25)	31
FIG FUEL INJECTION VALVE(TS23)	33
FIG FUEL FILTER	35
FIG STARTING MOTOR	37
FIG GENERATOR	39
FIG GASKET SET	41
FIG GEAR HOUSING(TS23)	43
FIG OIL SUMP(TS25)	45
FIG OIL SUMP(TS23)	47
FIG CYLINDER HEAD & BONNET(TS25)	49
FIG CYLINDER HEAD & BONNET(TS23)	52
FIG EXHAUST MANIFOLD	55
FIG CAMSHAFT & DRIVING GEAR(TS25)	57

## 2. Engine Accessories PART NO. T2

FIG AIR CLEANER	60
FIG RADIATOR	62
FIG MUFFLER	64

FIG ACCELERATOR	66
FIG FUEL FILTER	68
FIG ENGINE MOUNTING	70
FIG FUEL TANK & FUEL LINE	72

### 3. Clutch/Brake/Steering PART NO. T3

FIG FLYWHEEL COVER	75
FIG BRAKE	77
FIG CLUTCH , BRAKE PEDAL & LINKAGE	79
FIG ACCELERATOR PEDAL & CABLE	81
FIG DASH COVER	83
FIG STEERING VALVE	85
FIG STEERING CYLINDER	87
FIG STEERING WHEEL	89
FIG TIRE	91
FIG HAND BRAKE	93

### 4. Transmission PART NO. T4

FIG INPUT SHAFT	96
FIG INPUT GEAR	98
FIG REAR TRANSMISSION CASE	100
FIG REAR AXLE HOUSING	102
FIG MAIN SHIFT LEVER	104
FIG RANGE SHIFT LEVER	106
FIG P.T.O CHANGE LEVER	108
FIG 4WD CHANGE LEVER	110
FIG TRANSMISSION MOUNTING	112
FIG MAIN SHIFT GEAR	114
FIG RANGE GEAR	116
FIG 4WD DRIVE GEAR	118
FIG P.T.O DRIVE SHAFT	120
FIG P.T.O SHAFT	122
FIG MID P.T.O GEAR	124
FIG DIFF LOCK	126
FIG MID TRANSMISSION CASE	128

### 5. Front Axle PART NO. T5

FIG FRONT DRIVE SHAFT	131
-----------------------	-----

FIG FRONT DIFFERENTIAL GEAR	133
FIG FRONT AXLE HOUSING	135
FIG FRONT GEAR CASE (1)	137
FIG FRONT GEAR CASE (2)	139

## 6. Hydraulic/3P-Link PART NO. T6

FIG CYLINDER CASE	142
FIG LIFT ARM	144
FIG FLOW CONTROL VALVE	146
FIG MAIN CONTROL VALVE	148
FIG HYDRAULIC SUB	150
FIG HITCH & 3-POINT LINKAGE	152
FIG HITCH & COVER	154

## 7. Sheet Metal & Cabin PART NO. T7

FIG BONNET	157
FIG FLOOR	159
FIG SEAT	161
FIG ROPS	163
FIG LEVER COVER & FENDER	165
FIG LAMP	167
FIG BONNET	169

## 8. Electrical System PART NO. T8

FIG BATTERY MOUNTING	172
FIG INSTRUMENT PANEL	174
FIG HARNESS	176
FIG HARNESS	178
FIG HARNESS	180

## 9. Label/Option PART NO. T9

FIG TOOL & ACCESSORY	183
FIG LABEL	185
FIG LABEL	187

FIG AUXILIARY VALVE KIT - OPTION  
FIG WEIGHT

189  
191

## 1. Engine PART NO. EG

FIG CYLINDER BLOCK(TS25)	7
FIG CYLINDER BLOCK(TS23)	9
FIG CAMSHAFT & DRIVING GEAR(TS23)	11
FIG CRANKSHAFT & PISTON(TS25)	13
FIG CRANKSHAFT & PISTON(TS23)	15
FIG LUB. OIL SYSTEM	17
FIG COOLING WATER SYSTEM	19
FIG FUEL INJECTION PUMP(TS25)	21
FIG FUEL INJECTION PUMP(TS23)	23
FIG GOVERNOR(TS25)	25
FIG GOVERNOR(TS23)	27
FIG FUEL INJECTION VALVE(TS25)	29
FIG GEAR HOUSING(TS25)	31
FIG FUEL INJECTION VALVE(TS23)	33
FIG FUEL FILTER	35
FIG STARTING MOTOR	37
FIG GENERATOR	39
FIG GASKET SET	41
FIG GEAR HOUSING(TS23)	43
FIG OIL SUMP(TS25)	45
FIG OIL SUMP(TS23)	47
FIG CYLINDER HEAD & BONNET(TS25)	49
FIG CYLINDER HEAD & BONNET(TS23)	52
FIG EXHAUST MANIFOLD	55
FIG CAMSHAFT & DRIVING GEAR(TS25)	57

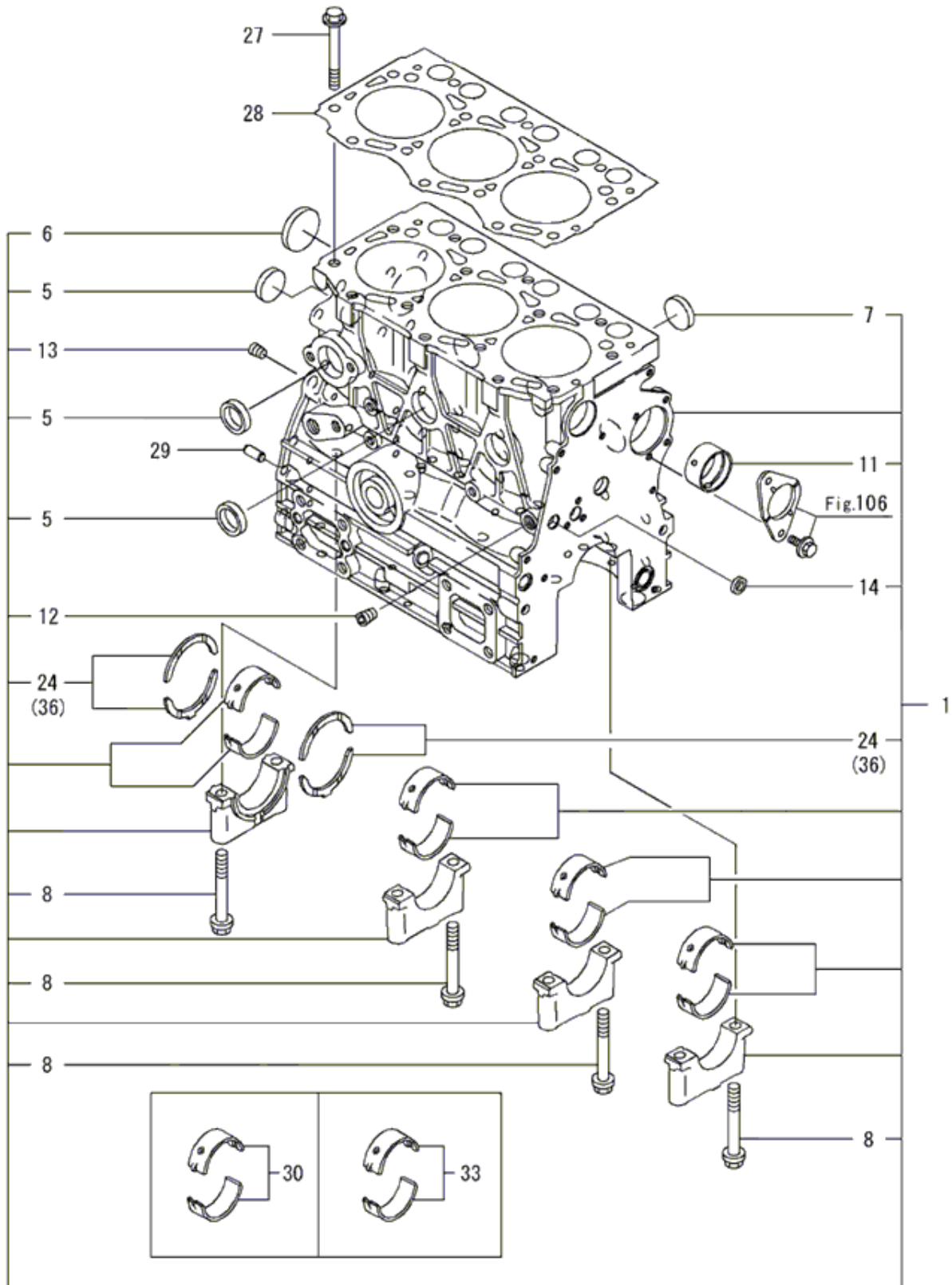
FIG

CYLINDER BLOCK(TS25)

년/월  
Year/Month

TS25NCEU

2020.11



NOTE





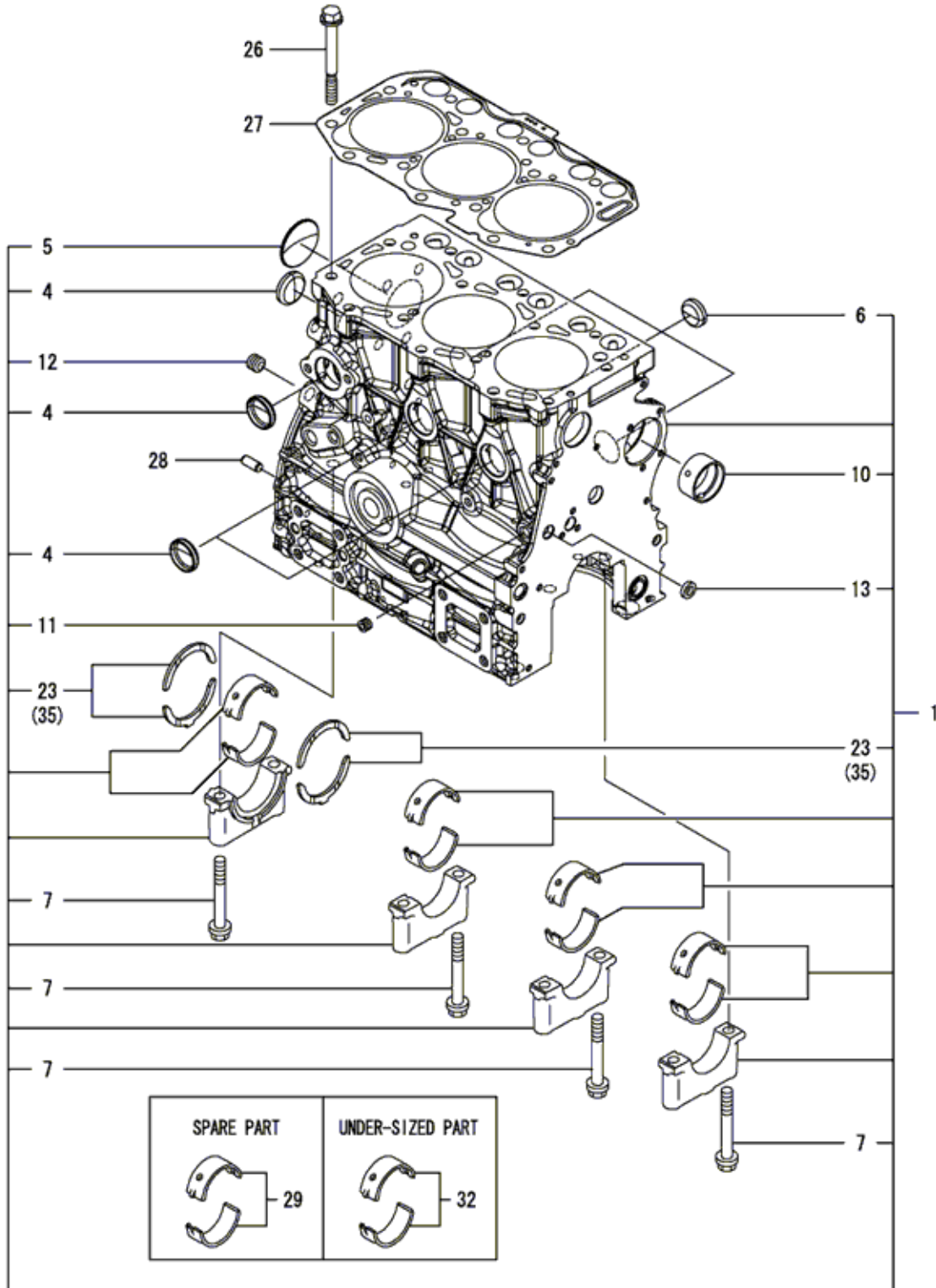
FIG

CYLINDER BLOCK(TS23)

년/월  
Year/Month

TS25NCEU

2020.11



NOTE



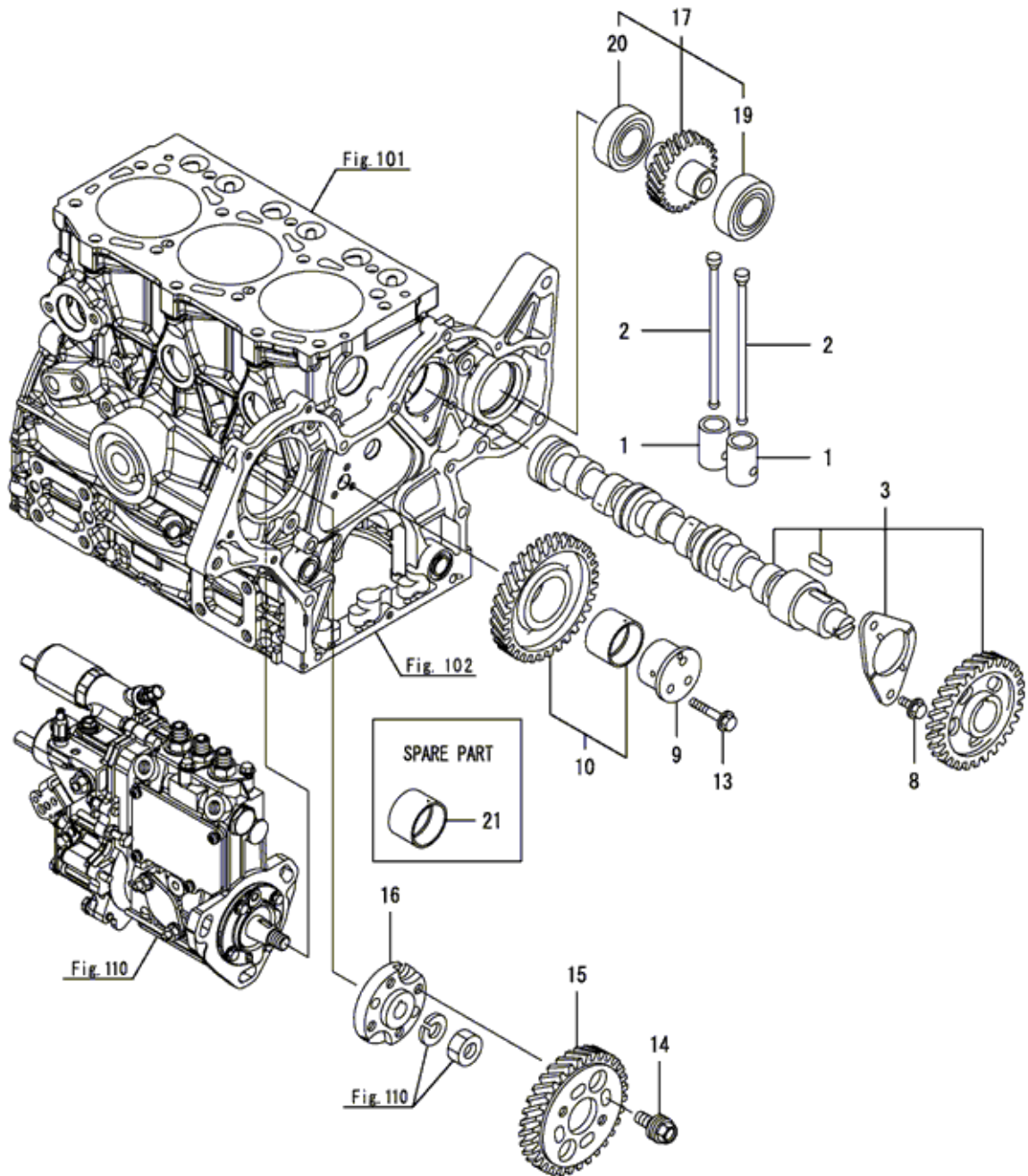
FIG

CAMSHAFT & DRIVING GEAR(TS23)

년/월  
Year/Month

TS25NCEU

2020.11



NOTE



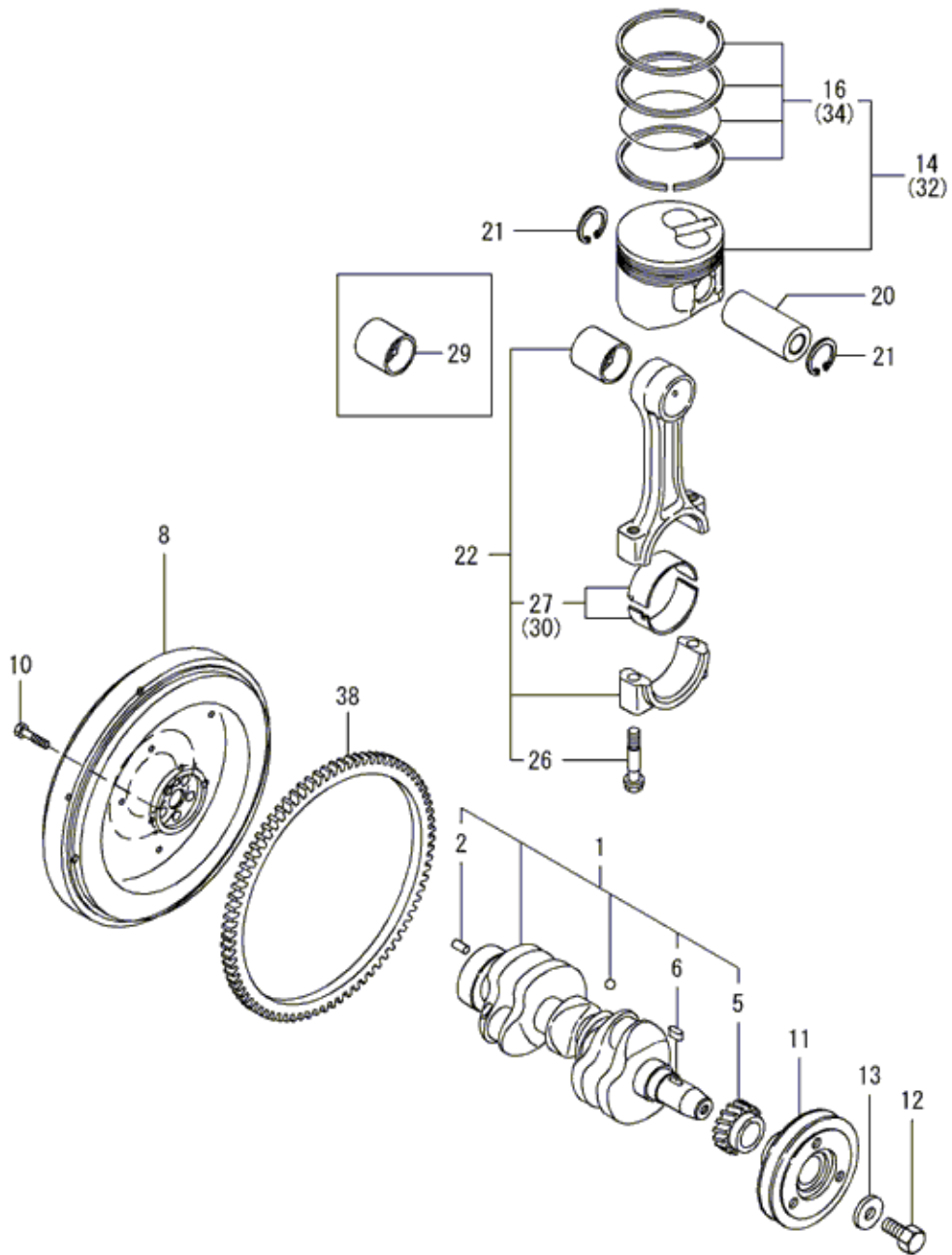
FIG

CRANKSHAFT & PISTON(TS25)

년/월  
Year/Month

TS25NCEU

2020.11



NOTE



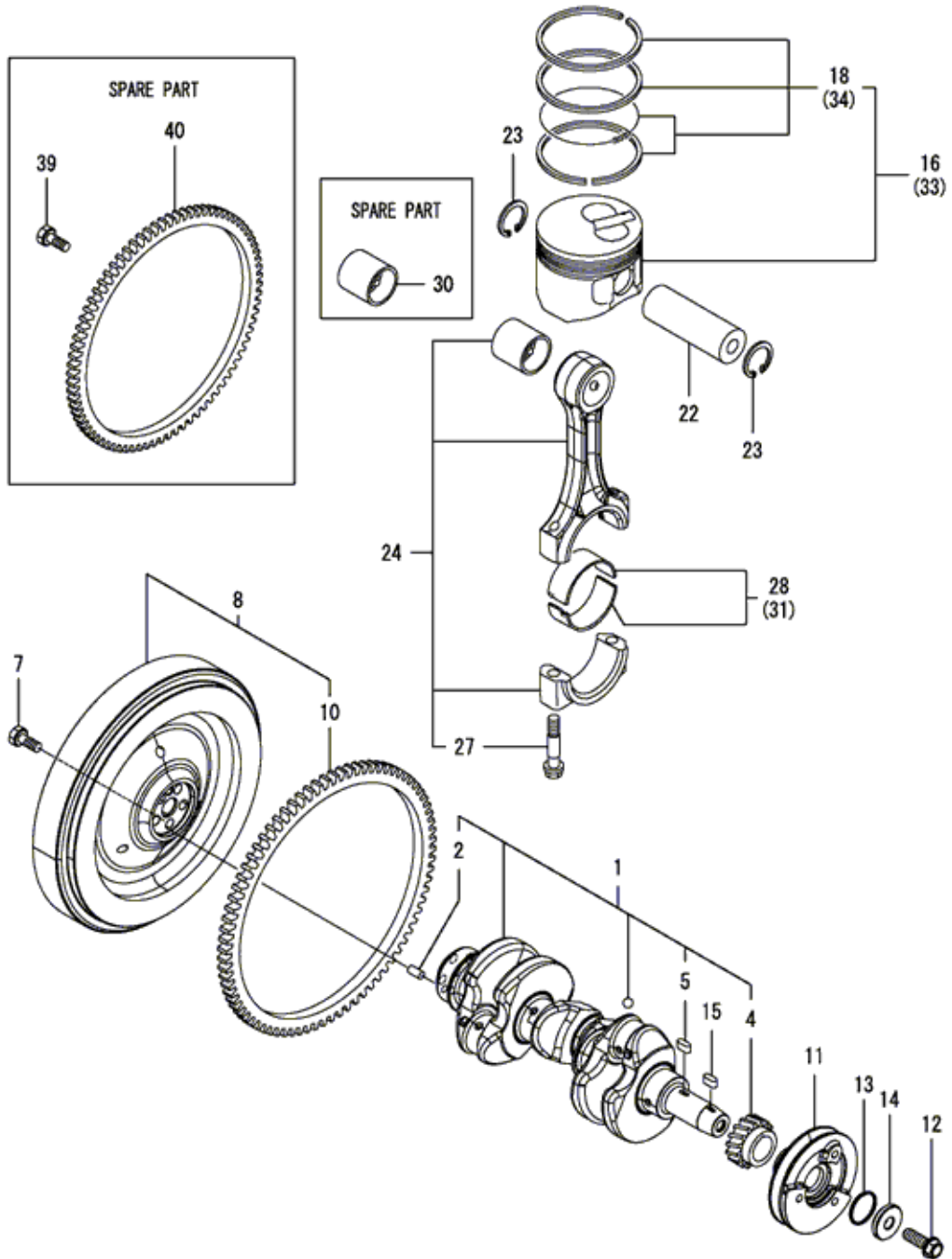
FIG

CRANKSHAFT & PISTON(TS23)

년/월  
Year/Month

TS25NCEU

2020.11



NOTE





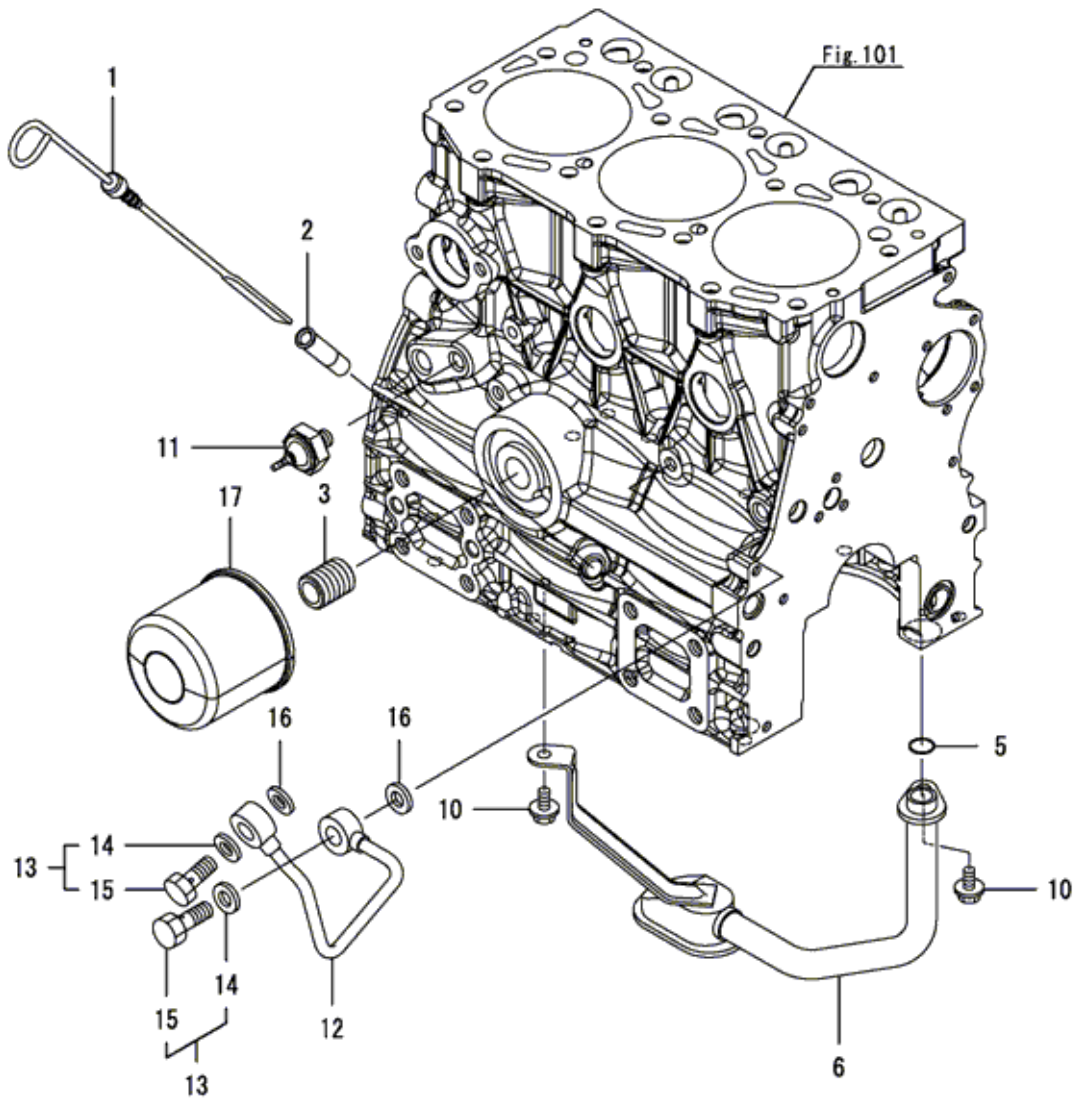
FIG

TS25NCEU

LUB. OIL SYSTEM

년/월  
Year/Month

2020.11



NOTE



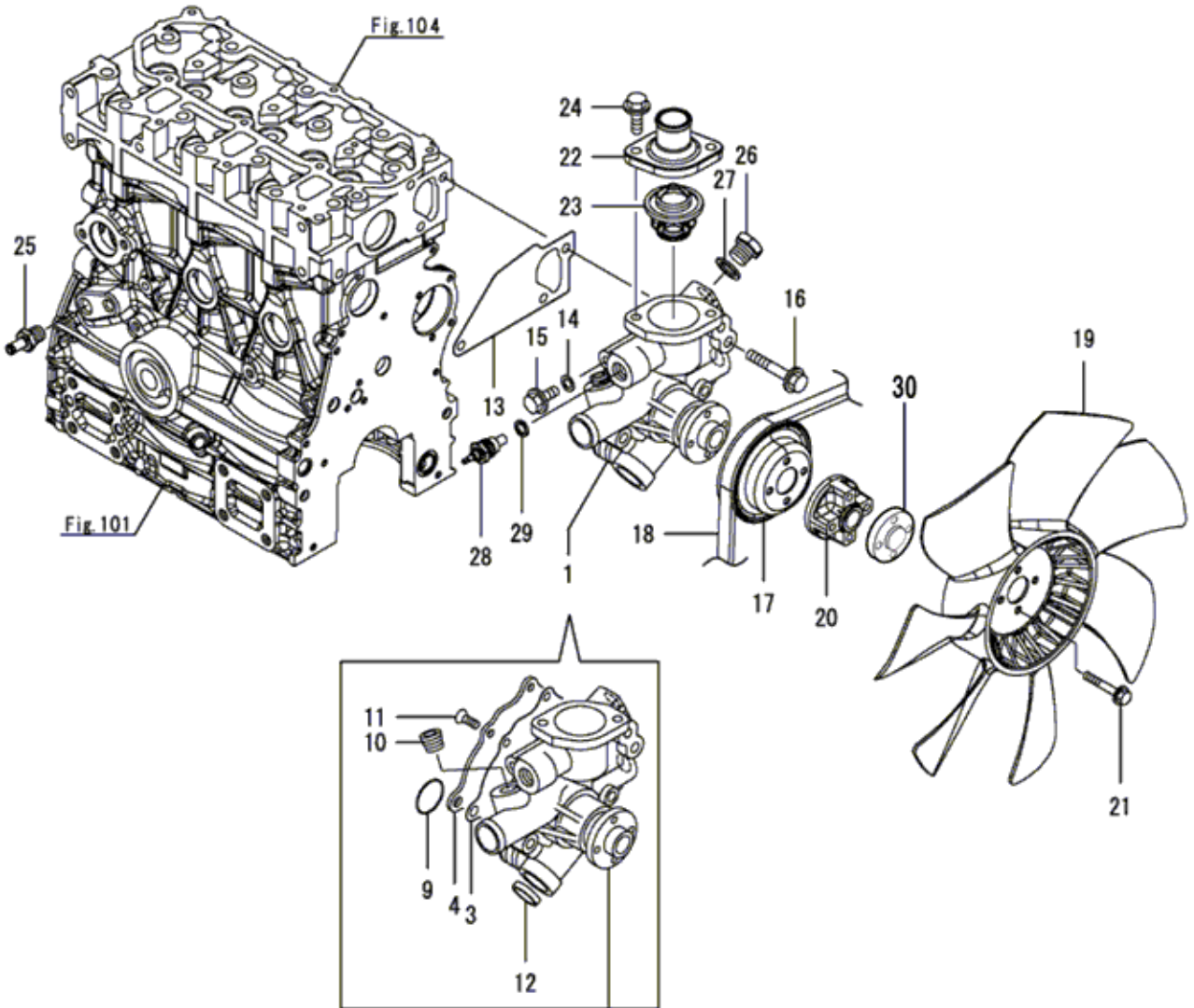
FIG

COOLING WATER SYSTEM

년/월  
Year/Month

TS25NCEU

2020.11



NOTE



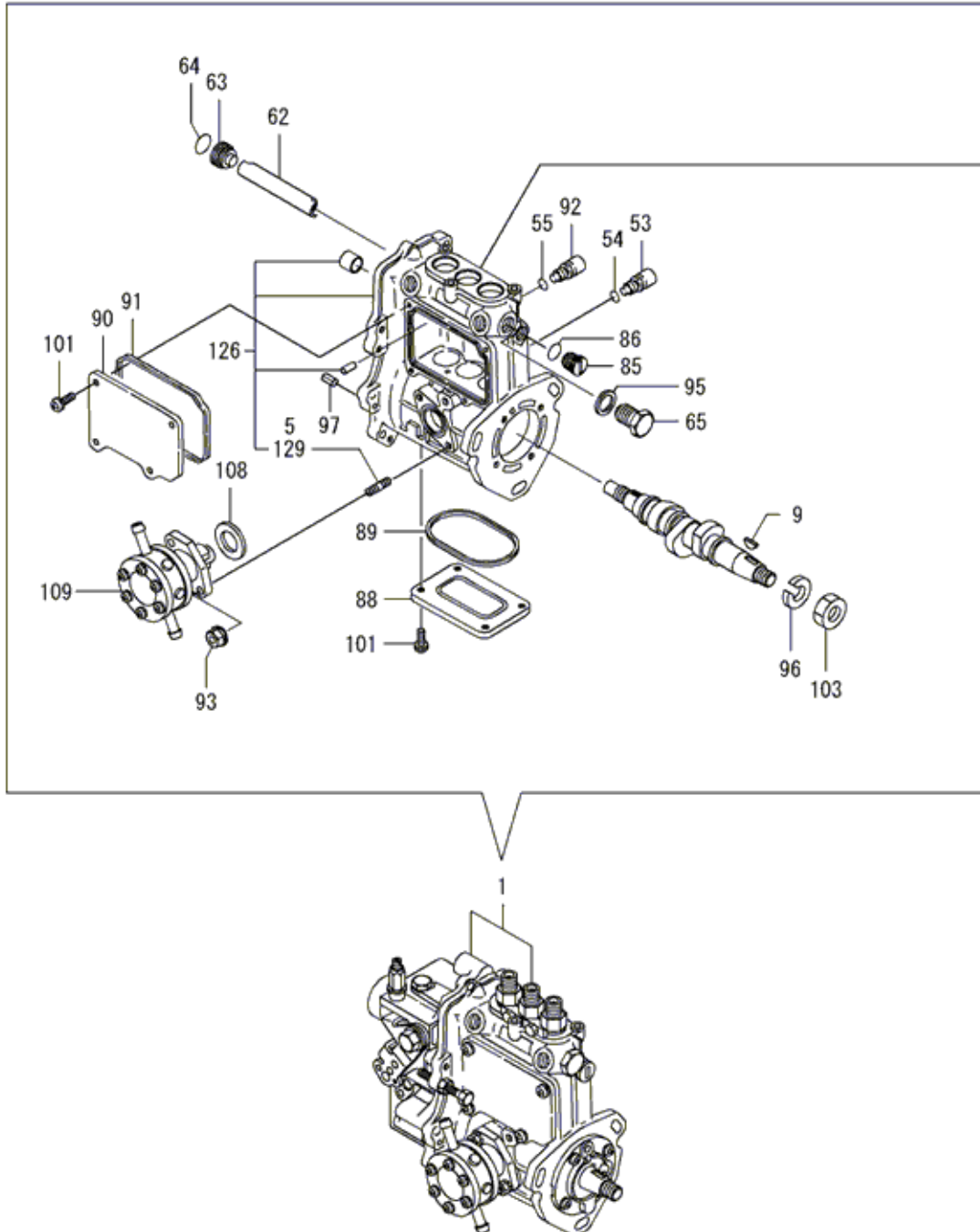
FIG

FUEL INJECTION PUMP(TS25)

년/월  
Year/Month

TS25NCEU

2020.11



NOTE



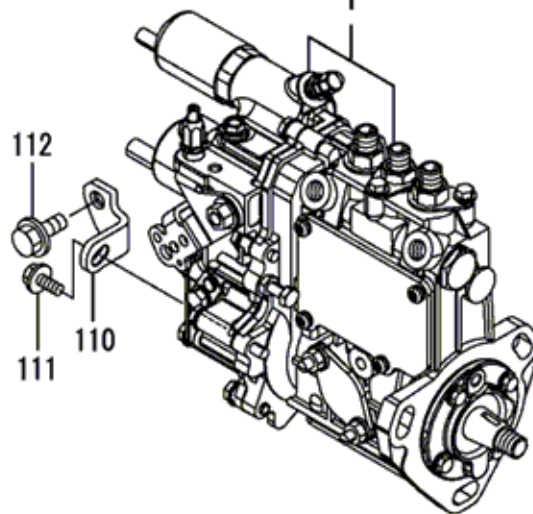
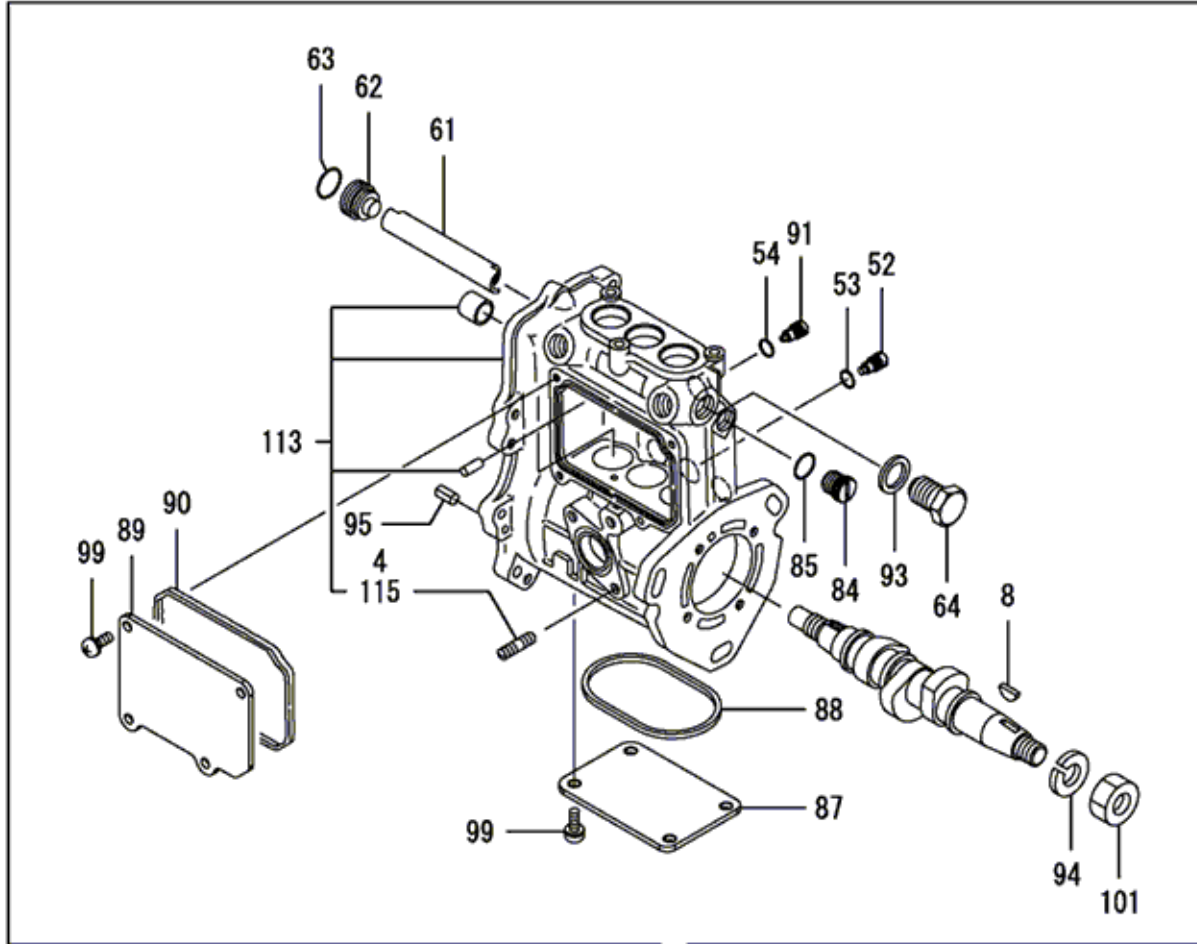
FIG

FUEL INJECTION PUMP(TS23)

년/월  
Year/Month

TS25NCEU

2020.11



NOTE





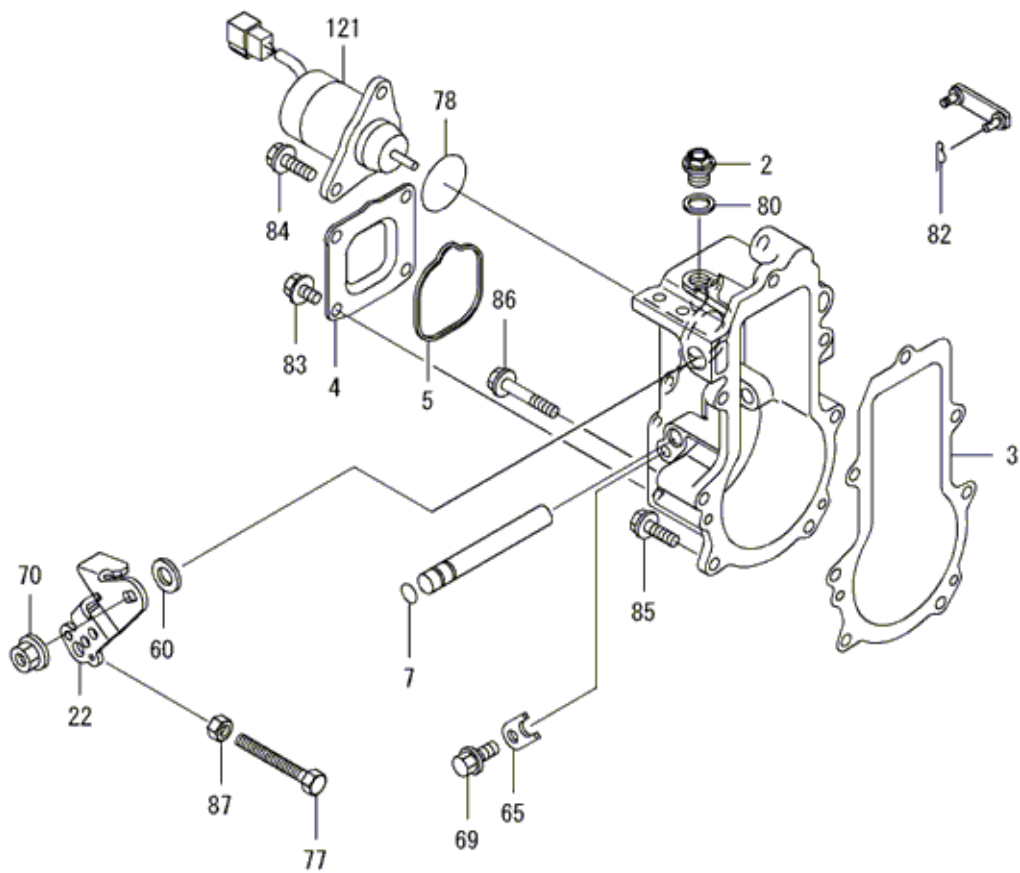
FIG

TS25NCEU

GOVERNOR(TS25)

년/월  
Year/Month

2020.11



NOTE



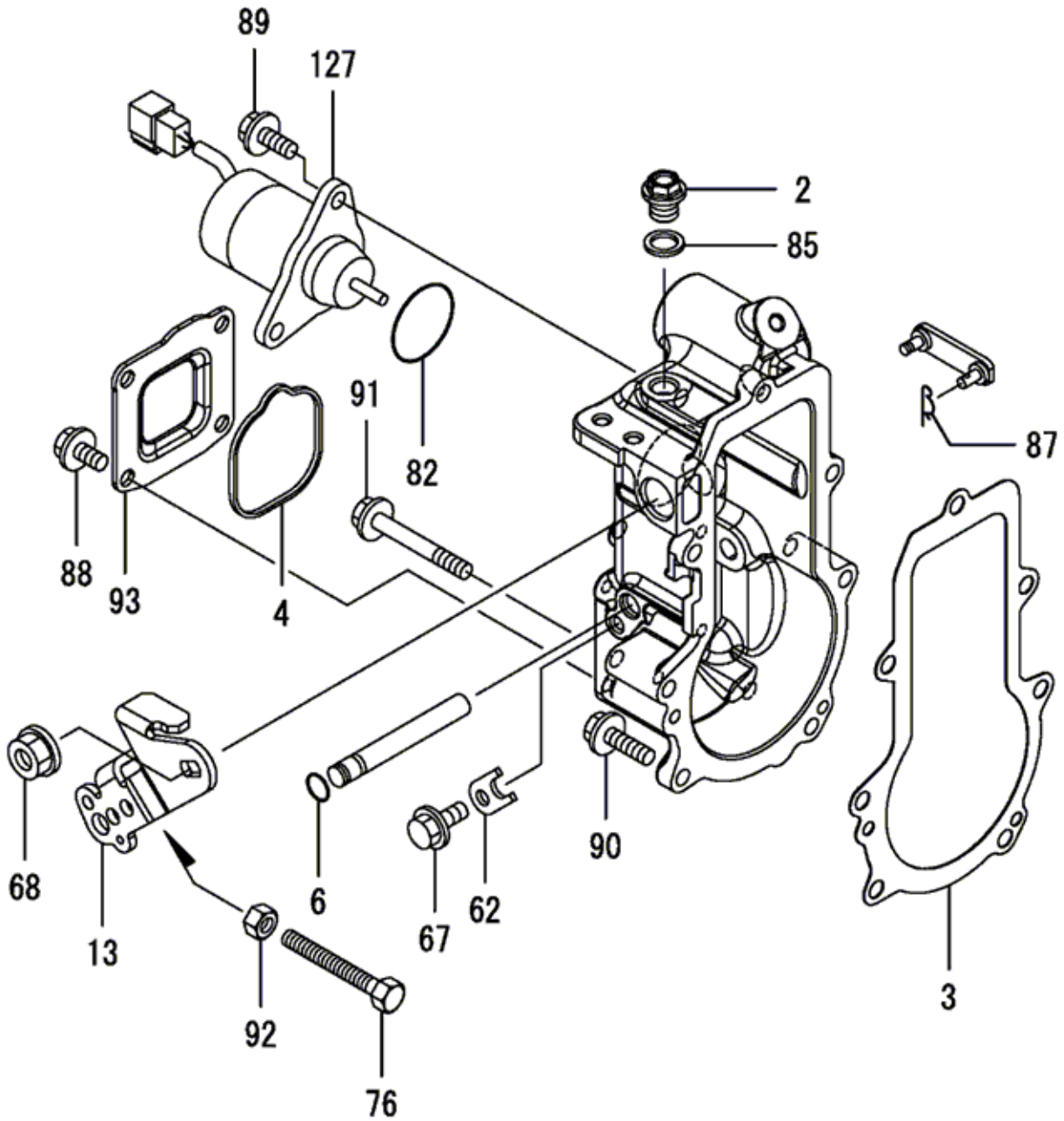
FIG

GOVERNOR(TS23)

년/월  
Year/Month

TS25NCEU

2020.11



NOTE



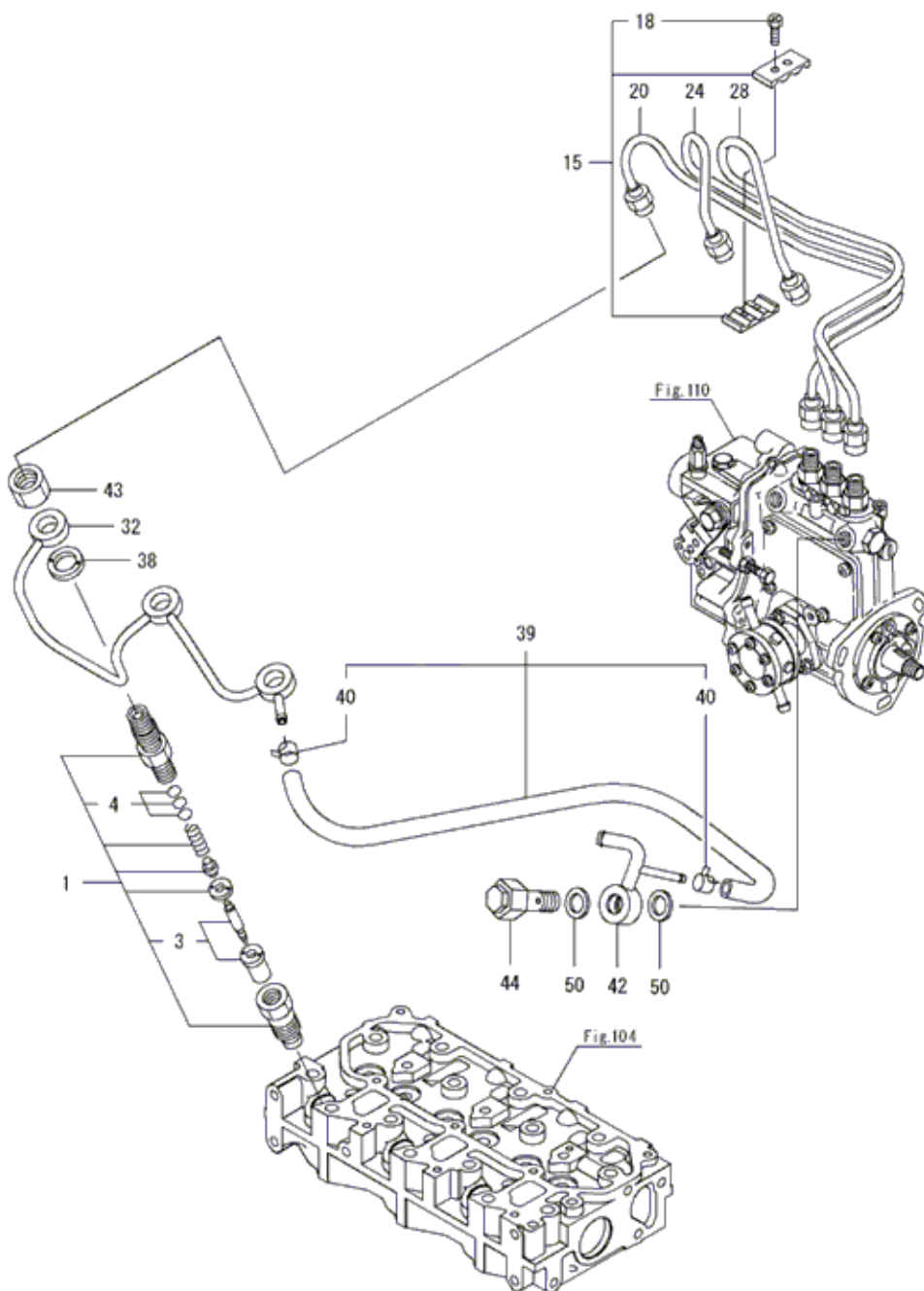
FIG

FUEL INJECTION VALVE(TS25)

년/월  
Year/Month

TS25NCEU

2020.11



NOTE



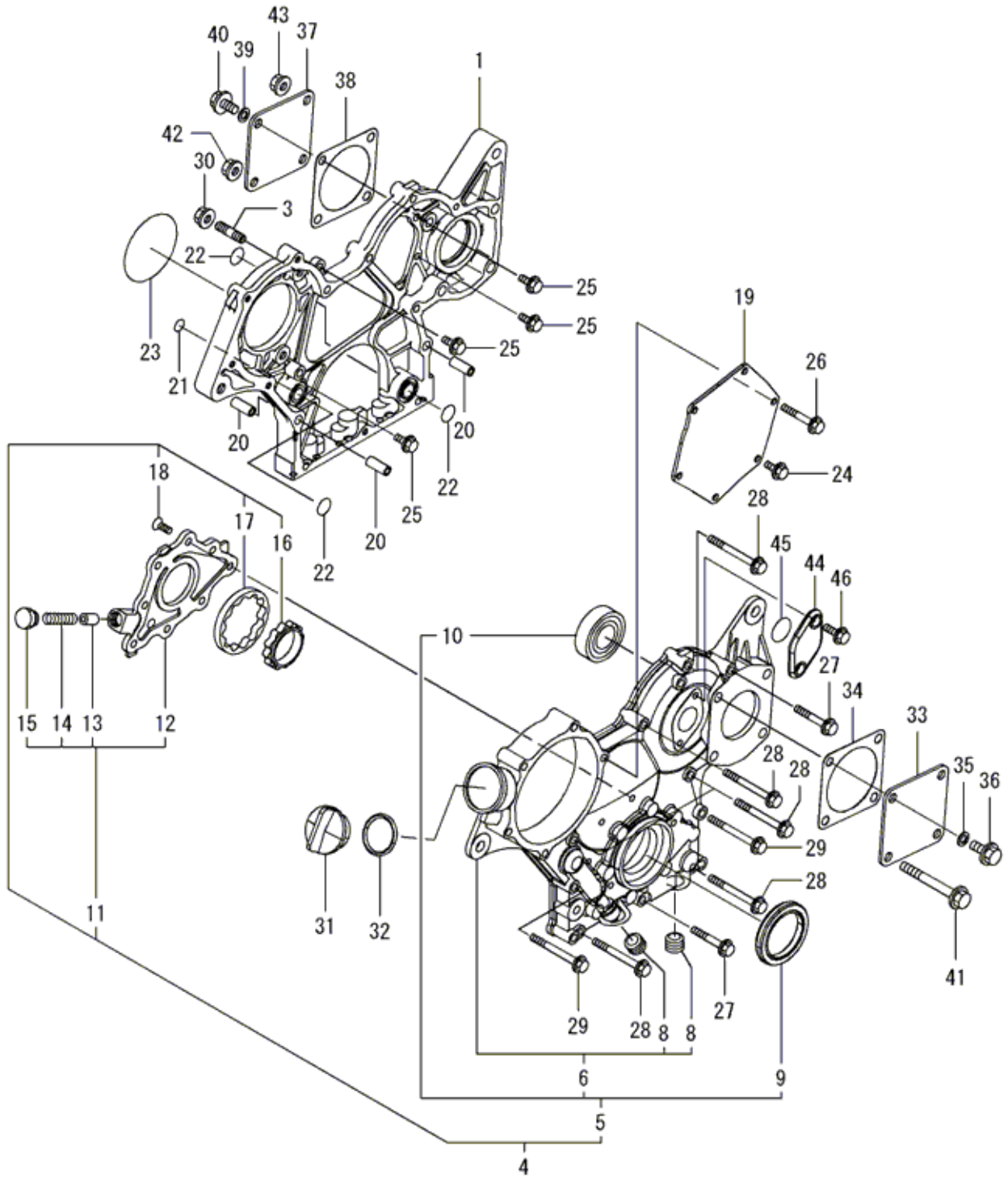
FIG

GEAR HOUSING(TS25)

년/월  
Year/Month

TS25NCEU

2020.11



NOTE

FIG		GEAR HOUSING(TS25)					년/월 Year/Month		
							2020.11		
TS25NCEU		KEY NO	PART NO	DESCRIPTION	SPEC	QTY	REPAIR	EFFECTIVE DATE	REMARKS
	1	119740-01501	CASE, GEAR			1			
	3	119717-01570	STUD			3			
	4	119751-01590	COVER?ASSY,GEAR?CASE			1			
	5	719751-01500	COVER ASSY,GEAR CASE			1			
	6	119751-01521	COVER, GEAR CASE			1			
	8	23876-030000	PLUG,?R03			2			
	9	119717-01800	SEAL, OIL			1			
	10	24101-062024	"BEARING, BALL 6202"			1			
	11	119717-32100	COVER?ASSY			1			
	12	119717-32080	COVER			1			
	13	129900-32130	VALVE, RELIEF			1			
	14	129001-32320	SPRING			1			
	15	129001-32330	PLUG			1			
	16	119717-32110	ROTOR, INNER			1			
	17	119717-32120	ROTOR,?OUTER			1			
	18	119802-32130	SCREW, M6X16			8			
	19	119717-01750	COVER			1			
	20	119660-01911	PIPE,?KNOCK			4			
	21	119624-32040	O-RING, P12.0			1			
	22	119717-32050	O-RING, P17.0			3			
	23	121850-51960	O-RING			1			
	24	26106-060122	BOLT, M6X 12 PLATED			1			
	25	26106-060162	BOLT, M6X 16 PLATED			4			
	26	26106-060402	BOLT,?M6X?40?PLATED			4			
	27	26106-060402	BOLT, M6X 40 PLATED			2			
	28	26106-060602	BOLT, M6X 60 PLATED			7			
	29	26106-060652	BOLT,?M6X?65?PLATED			2			
	30	26306-080002	NUT, M8			3			
	31	124160-01751	COVER, FILLER			1			
	32	24311-000320	"O-RING, 1AP32.0"			1			
	33	124240-01871	COVER			1			
	34	129C26-01890	GASKET, HO-P			1			
	35	22190-080002	WASHER,?SEAL?8			1			
	36	26106-080122	BOLT, M8X 12 PLATED			1			
	37	124240-01871	COVER			1			
	38	129C26-01890	GASKET,?HO-P			1			
	39	22190-080002	WASHER, SEAL 8			1			
	40	26106-080142	BOLT, M8X 14 PLATED			1			
	41	26106-080702	BOLT,?M8X?70?PLATED			3			
	42	26306-080002	NUT, M8			1			
	43	26306-080002	NUT, M8			2			
	44	121023-01551	COVER			1			
	45	24341-000240	O-RING, 1AS24.0			1			
	46	26106-060162	BOLT, M6X 16 PLATED			2			
NOTE									



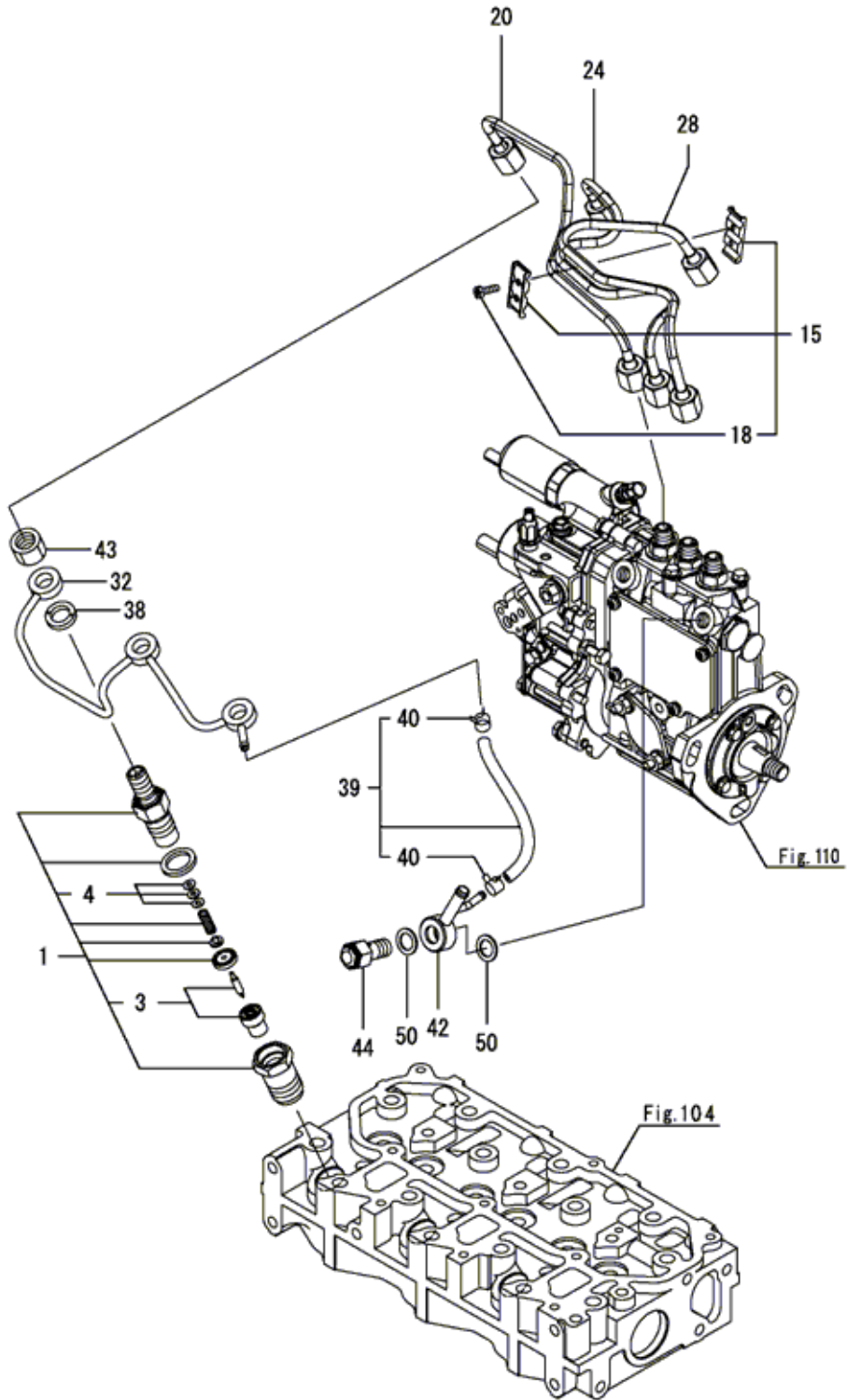
FIG

TS25NCEU

FUEL INJECTION VALVE(TS23)

년/월  
Year/Month

2020.11



NOTE



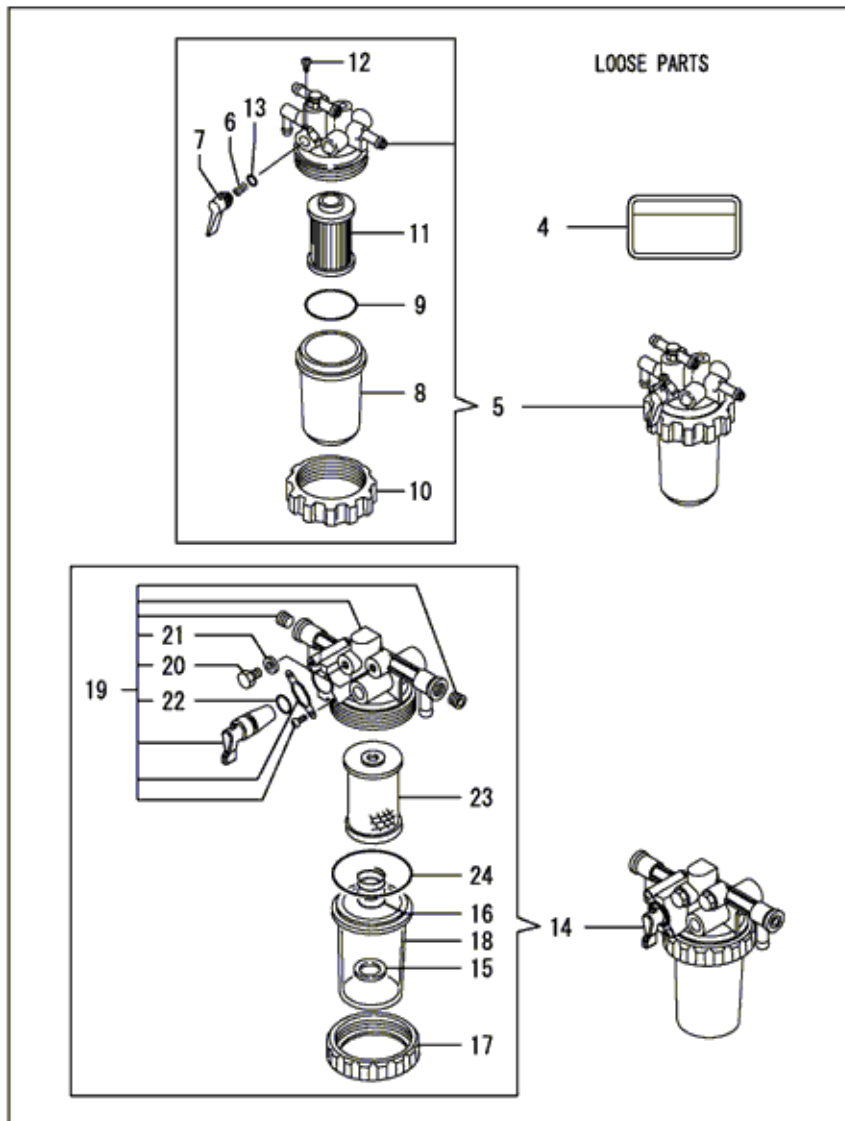
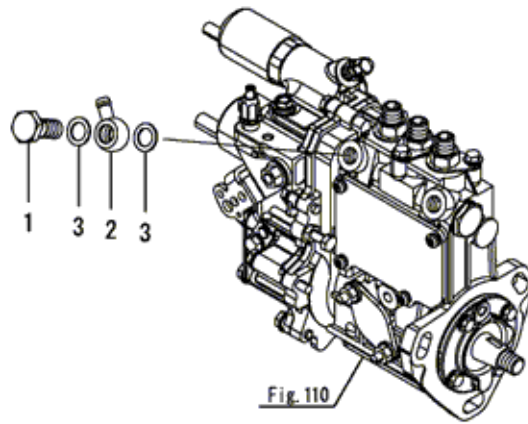
FIG

TS25NCEU

# FUEL FILTER

년/월  
Year/Month

2020.11



NOTE



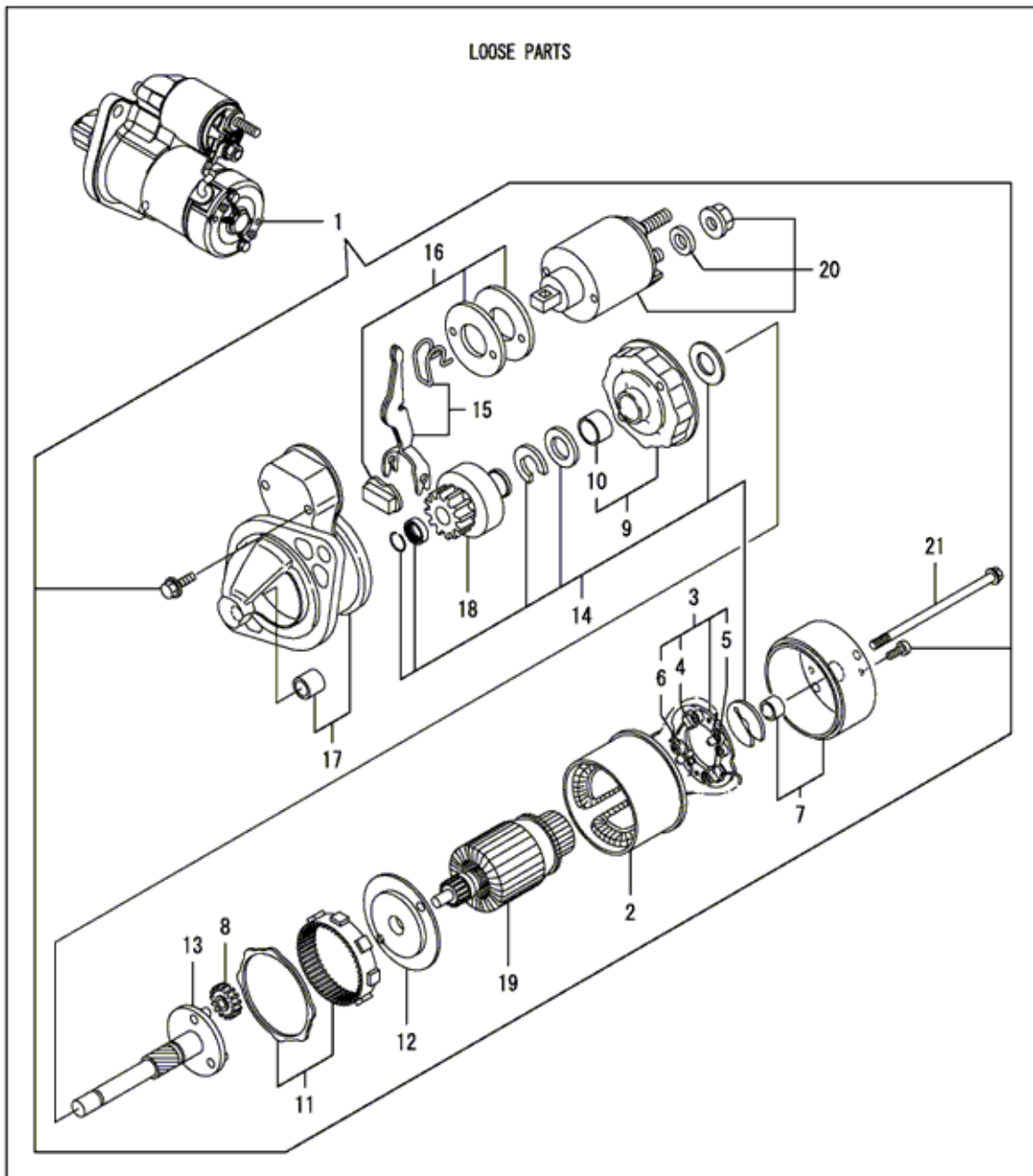
FIG

STARTING MOTOR

년/월  
Year/Month

TS25NCEU

2020.11



NOTE



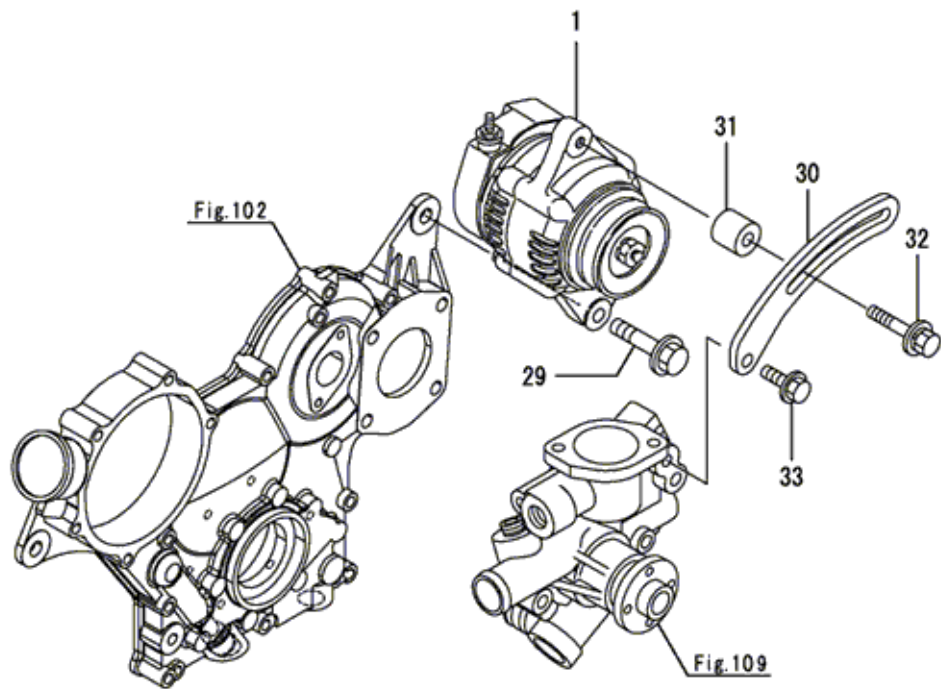
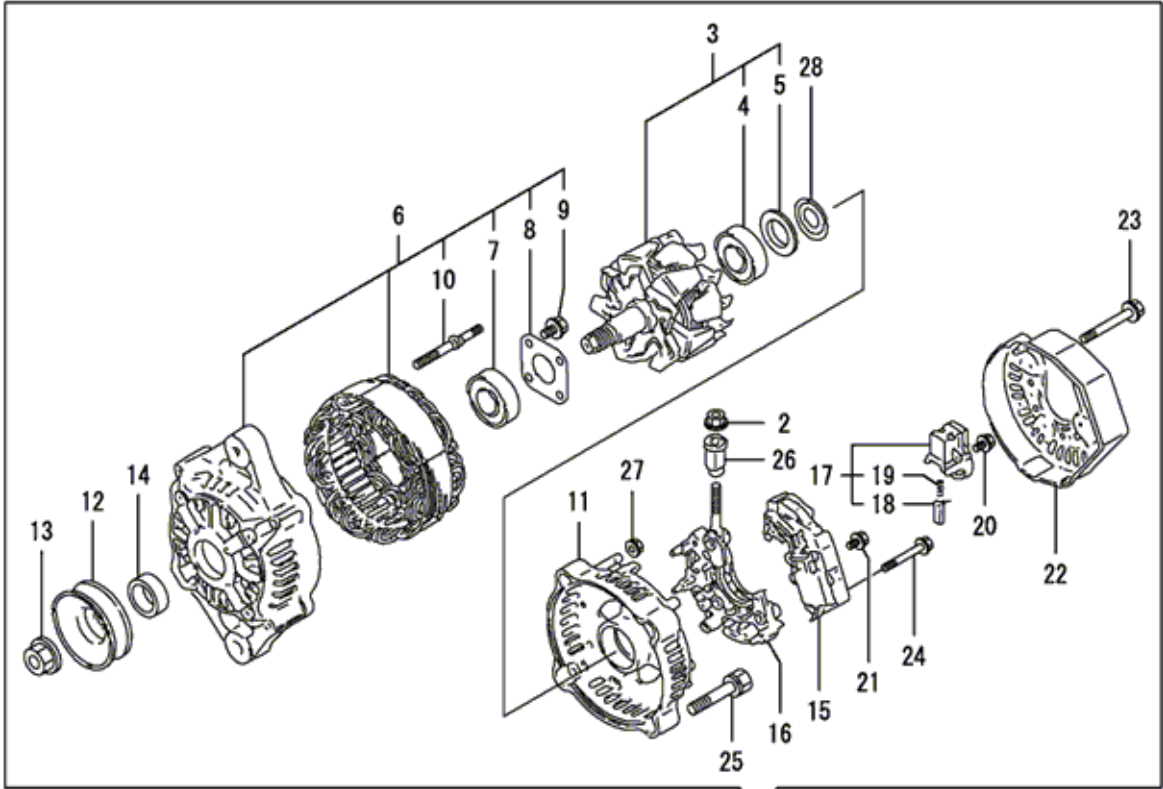
FIG

GENERATOR

년/월  
Year/Month

TS25NCEU

2020.11



NOTE

FIG TS25NCEU	GENERATOR	년/월 Year/Month
		2020.11

KEY NO	PART NO	DESCRIPTION	SPEC	QTY	REPAIR	EFFECTIVE DATE	REMARKS
1	129423-77200	GENERATOR, 12V-40A		1			
2	X9490561001	NUT		1			
3	119620-77380	ROTOR ASSY		1			
4	123501-79240	BEARING, BALL		1			
5	119620-79250	COVER		1			
6	119620-77421	FRAME ASSY, DRIVE		1			
7	119620-79200	BEARING, BALL		1			
8	119620-79210	PLATE, RETAINER		1			
9	119620-79220	SCREW		4			
10	119620-79230	STUD		2			
11	119620-77440	FRAME ASSY		1			
12	119620-77461	PULLEY		1			
13	119620-77471	NUT		1			
14	119620-77490	COLLAR		1			
15	129423-77710	REGULATOR ASSY		1			
16	119620-79260	HOLDER		1			
17	129052-79270	HOLDER, BRUSH		1			
18	119620-77480	BRUSH ASSY		2			
19	119620-79280	SPRING		2			
20	119620-79290	SCREW		6			
21	119620-79300	SCREW		1			
22	129240-79300	COVER		1			
23	119620-79310	BOLT		3			
24	119620-79320	SCREW		2			
25	119620-79330	BOLT		2			
26	119620-79340	BUSH , INSULATION		1			
27	119620-79350	NUT		2			
28	119620-79360	WASHER , THRUST		1			
29	26106-100452	BOLT , M10X45 PLATED		1			
30	119515-77330	ADJUSTER		1			
31	124732-77340	SPACER		1			
32	129972-77341	BOLT, ADJUSTER L=50		1			
33	26106-080202	볼트	8X20	1			

NOTE	
------	--



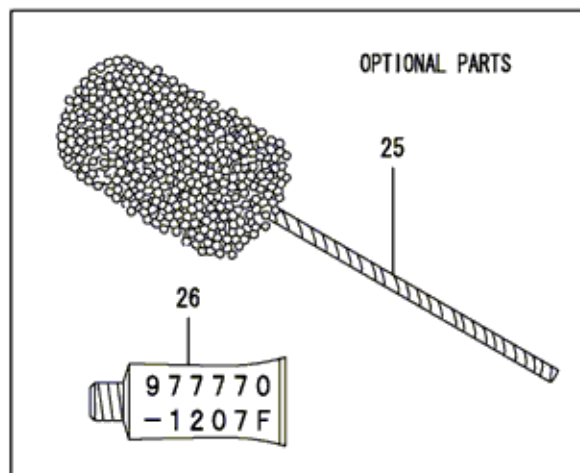
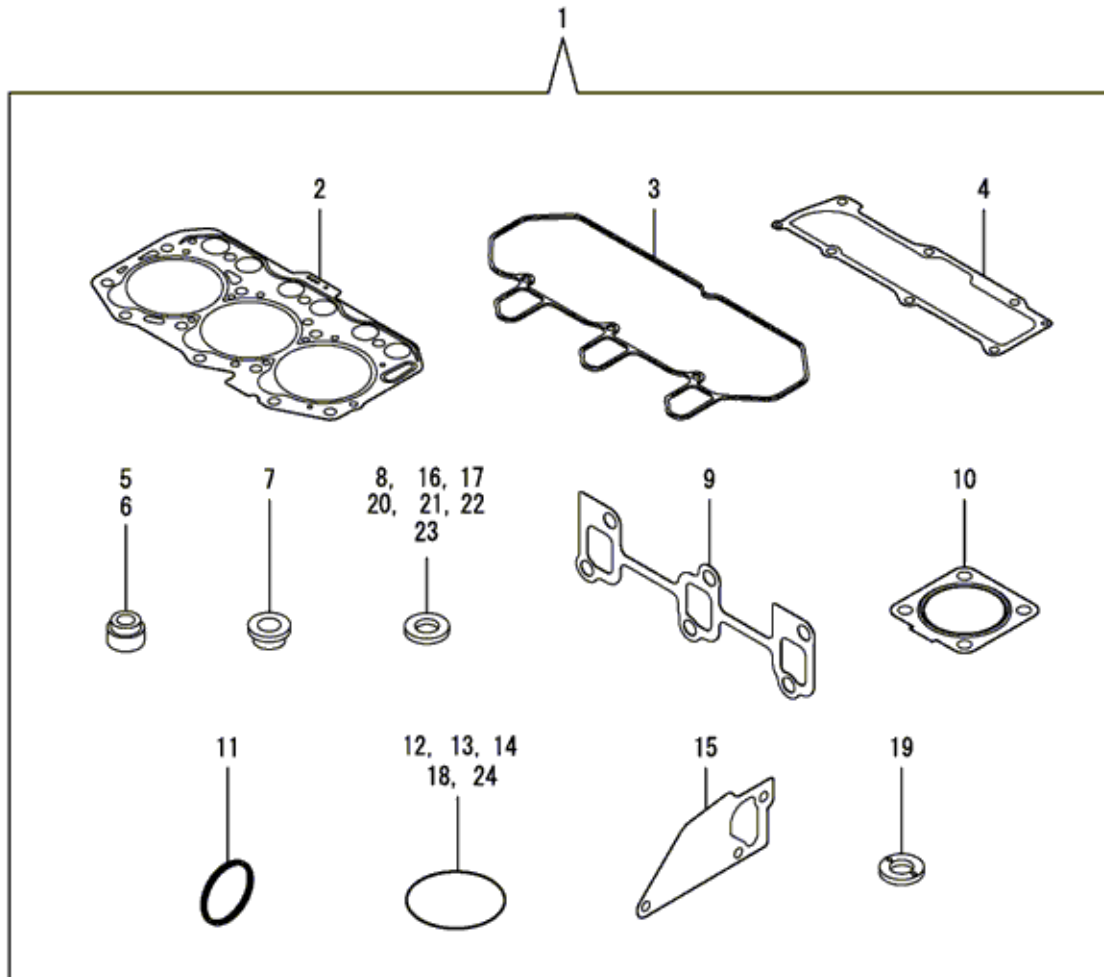
FIG

TS25NCEU

# GASKET SET

년/월  
Year/Month

2020.11



NOTE



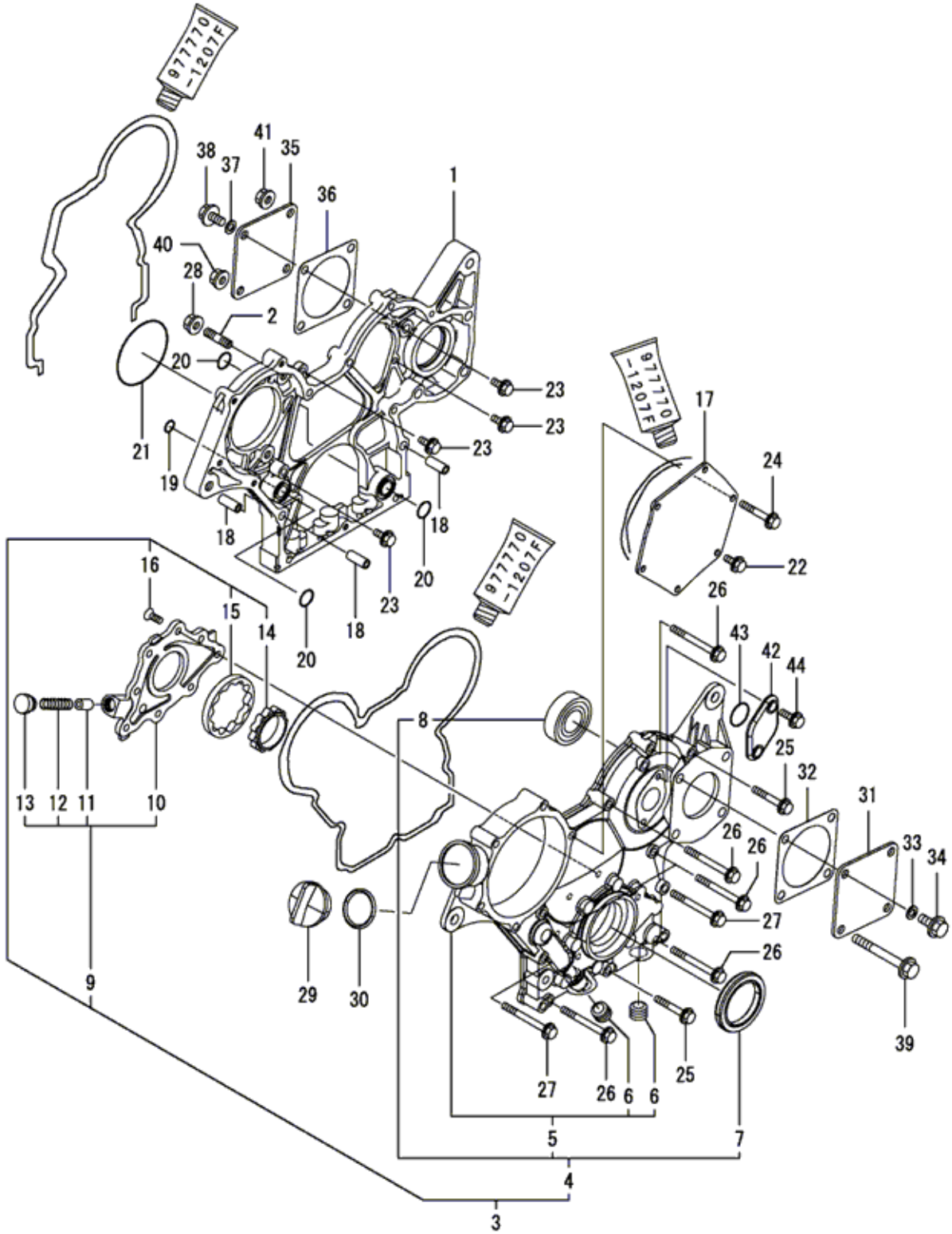
FIG

GEAR HOUSING(TS23)

년/월  
Year/Month

TS25NCEU

2020.11



NOTE

FIG TS25NCEU		GEAR HOUSING(TS23)					년/월 Year/Month	
							2020.11	
KEY NO	PART NO	DESCRIPTION	SPEC	QTY	REPAIR	EFFECTIVE DATE	REMARKS	
1	119740-01501	CASE, GEAR		0				
2	119717-01570	STUD		0				
3	119751-01590	COVER ASSY,GEAR CASE		0				
4	719751-01500	COVER ASSY,GEAR CASE		0				
5	119751-01521	COVER, GEAR CASE		0				
6	23876-030000	PLUG, R03		0				
7	119717-01800	SEAL, OIL		0				
8	24101-062024	"BEARING, BALL 6202"		0				
9	119717-32100	COVER ASSY		0				
10	119717-32080	COVER		0				
11	129900-32130	VALVE, RELIEF		0				
12	129001-32320	SPRING		0				
13	129001-32330	PLUG		0				
14	119717-32110	ROTOR, INNER		0				
15	119717-32120	ROTOR, OUTER		0				
16	119802-32130	SCREW, M6X16		0				
17	119717-01750	COVER		0				
18	119660-01911	PIPE, KNOCK		0				
19	119624-32040	O-RING, P12.0		0				
20	119717-32050	O-RING, P17.0		0				
21	121850-51960	O-RING		0				
22	26106-060122	BOLT, M6X12 PLATED		0				
23	26106-060162	BOLT, M6X16 PLATED		0				
24	26106-060402	BOLT, M6X40 PLATED		0				
25	26106-060402	BOLT, M6X40 PLATED		0				
26	26106-060602	BOLT, M6X60 PLATED		0				
27	26106-060652	BOLT, M6X65 PLATED		0				
28	26306-080002	NUT, M8		0				
29	124160-01751	COVER, FILLER		0				
30	24311-000320	"O-RING, 1AP32.0"		0				
31	124240-01871	COVER		0				
32	129C26-01890	GASKET, HO-P		0				
33	22190-080002	WASHER, SEAL 8		0				
34	26106-080122	BOLT, M8X12 PLATED		0				
35	124240-01871	COVER		0				
36	129C26-01890	GASKET, HO-P		0				
37	22190-080002	WASHER, SEAL 8		0				
38	26106-080142	BOLT, M8X14 PLATED		0				
39	26106-080702	BOLT, M8X70 PLATED		0				
40	26306-080002	NUT, M8		0				
41	26306-080002	NUT, M8		0				
42	121023-01551	COVER		0				
43	24341-000240	O-RING, 1AS24.0		0				
44	26106-060162	BOLT, M6X16 PLATED		0				
NOTE								

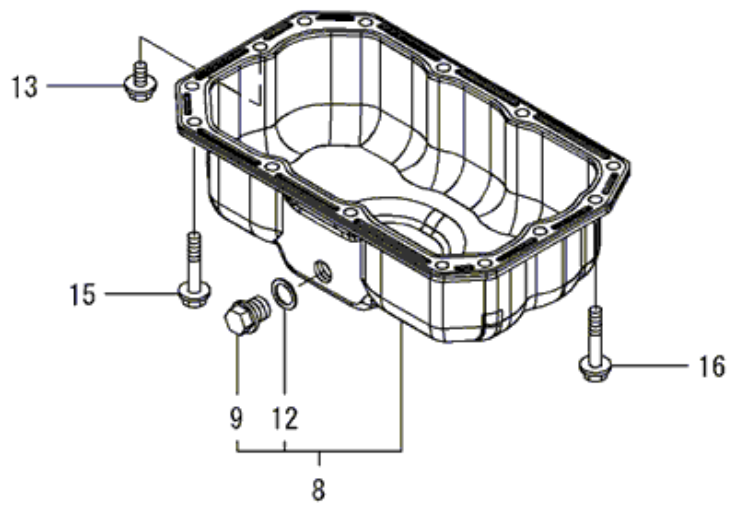
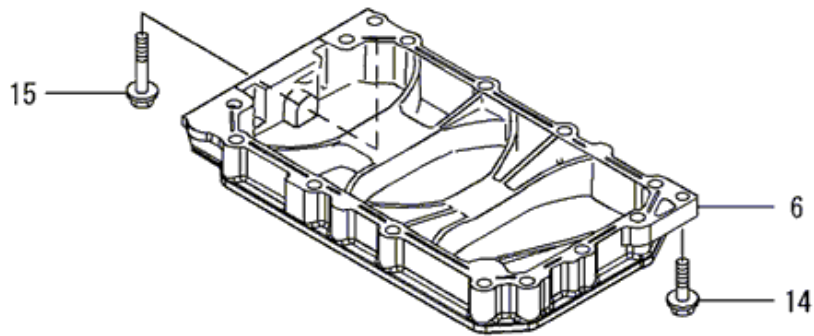
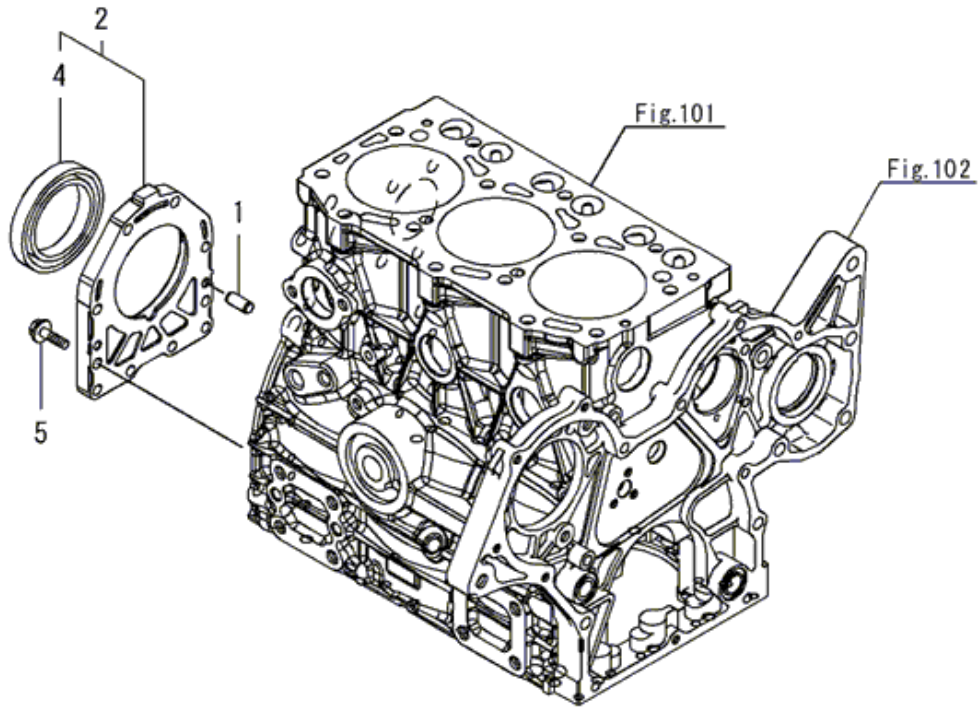
FIG

TS25NCEU

OIL SUMP(TS25)

년/월  
Year/Month

2020.11



NOTE



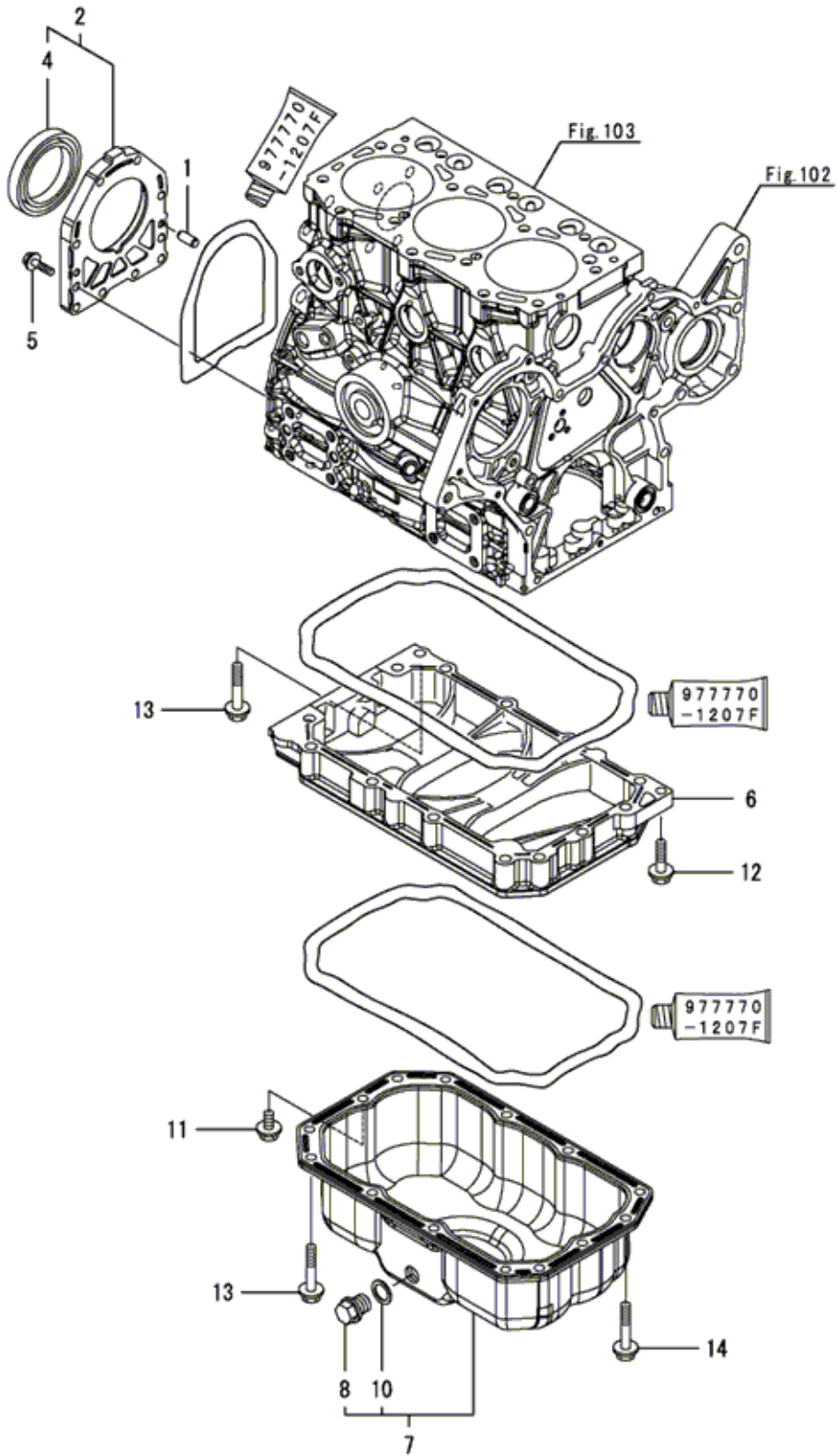
FIG

TS25NCEU

OIL SUMP(TS23)

년/월  
Year/Month

2020.11



NOTE





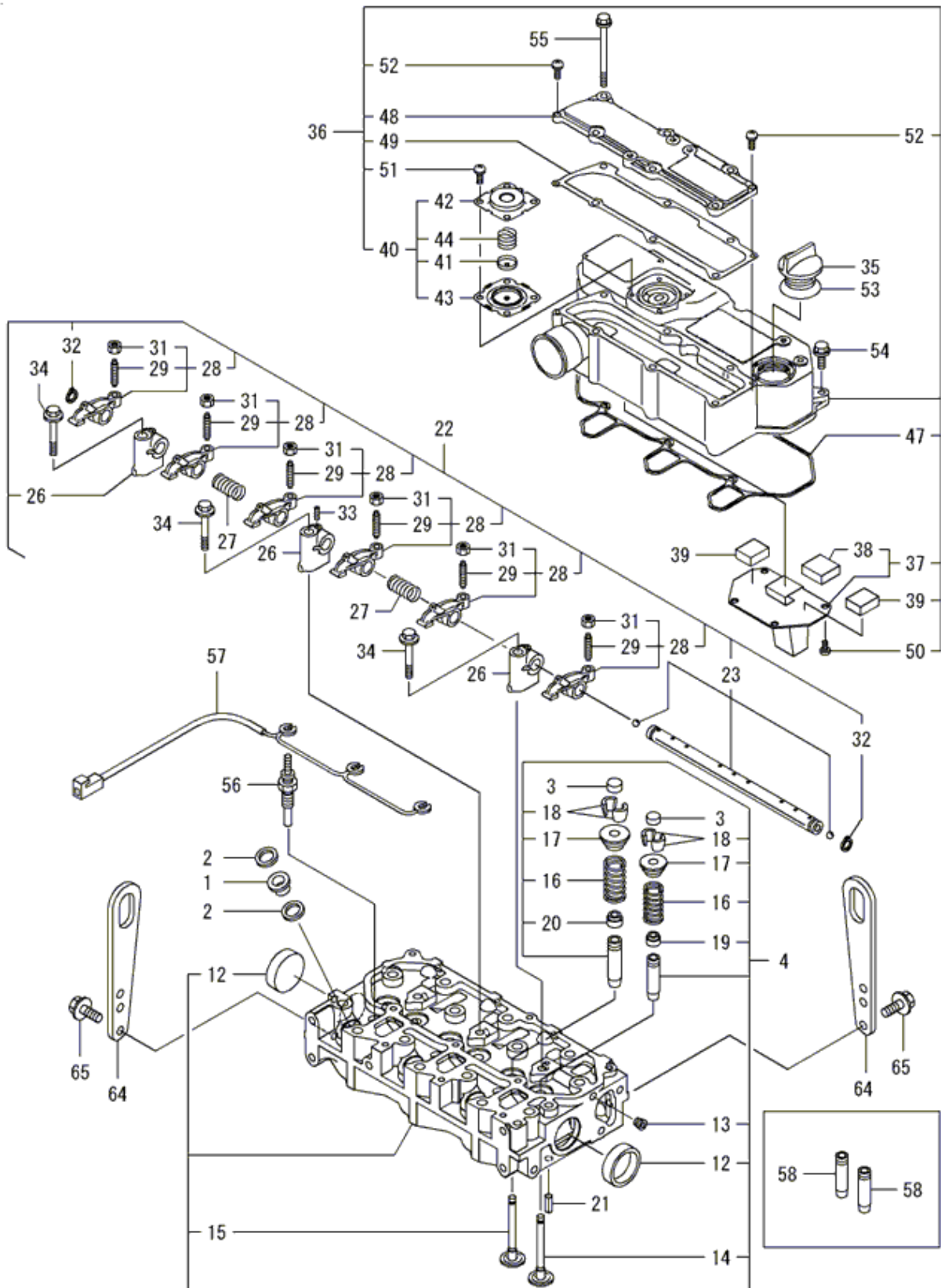
FIG

CYLINDER HEAD & BONNET(TS25)

년/월  
Year/Month

TS25NCEU

2020.11



NOTE

FIG TS25NCEU		CYLINDER HEAD & BONNET(TS25)					년/월 Year/Month	
							2020.11	
KEY NO	PART NO	DESCRIPTION	SPEC	QTY	REPAIR	EFFECTIVE DATE	REMARKS	
1	129901-11450	PROTECTOR, NOZZLE		3				
2	119600-11460	GASKET, NOZZLE		6				
3	105010-11490	CAP, VALVE		6				
4	119717-11740	HEAD ASSY, CYLINDER		1				
12	119285-11990	PLUG, 35		2				
13	23876-005000	PLUG, R005		1				
14	119717-11101	VALVE, INTAKE		3				
15	119717-11110	VALVE, EXHAUST		3				
16	119717-11131	SPRING, VALVE		6				
17	129508-11180	RETAINER, SPRING		6				
18	119717-11190	COTTER		12				
19	119717-11340	SEAL, VALVE STEM		3				
20	119717-11350	SEAL, VALVE STEM		3				
21	22351-060012	"PIN, SPRING 6.0X12"		2				
22	119717-11200	SUPPORT ASSY, ARM		1				
23	119717-11240	SHAFT ASSY, ROCKER		1				
26	119717-11260	SUPPORT, ROCKER ARM		3				
27	119620-11280	SPRING		2				
28	119717-11650	ARM, ROCKER		6				
29	129150-11230	SCREW, VALVE ADJUST		6				
31	129150-11750	NUT, M8		6				
32	22242-000120	RING, 12		2				
33	26979-050162	SCREW, M5X16		1				
34	26106-080402	BOLT, M8X 40 PLATED		3				
35	124160-01751	COVER, FILLER		1				
36	119717-11381	BONNET ASSY, HEAD		1				
37	119717-03031	PLATE		1				
38	119717-03070	BAFFLE, BREATHER		1				
39	119717-03070	BAFFLE, BREATHER		2				
40	119802-03100	DIAPHRAGM ASSY		1				
41	119802-03110	PLATE		1				
42	119802-03121	COVER, DIAPHRAGM		1				
43	119802-03131	DIAPHRAGM		1				
44	119802-03141	SPRING, DIAPHRAGM		1				
47	119718-11310	GASKET, BONNET		1				
48	119717-11320	COVER, BONNET		1				
49	119717-11331	GASKET		1				
50	22857-500100	SCREW, 5X10		4				
51	22857-500100	SCREW, 5X10		4				
52	22857-500160	SCREW, 5X16		2				
53	24311-000320	"O-RING, 1AP32.0"		1				
54	26106-060202	BOLT, M6X20 PLATED		3				
55	26106-060752	BOLT, M6X75 PLATED		6				
56	119717-77801	PLUG, GLOW		3				
57	119717-77820	CONNECTOR, GLOW PLUG		1				
NOTE								



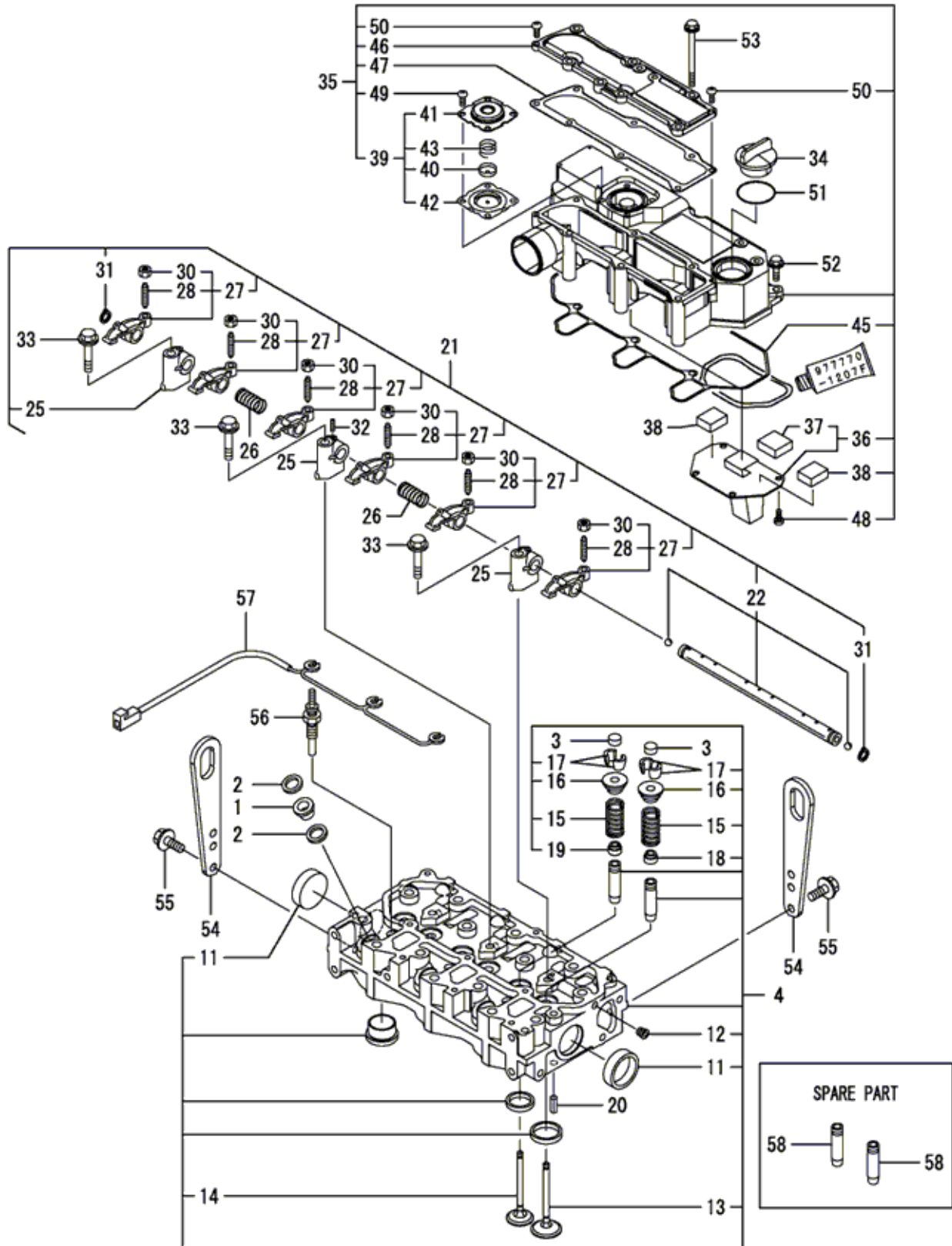
FIG

CYLINDER HEAD & BONNET(TS23)

년/월  
Year/Month

TS25NCEU

2020.11



NOTE

FIG TS25NCEU		CYLINDER HEAD & BONNET(TS23)					년/월 Year/Month	
							2020.11	
KEY NO	PART NO	DESCRIPTION	SPEC	QTY	REPAIR	EFFECTIVE DATE	REMARKS	
1	129901-11450	PROTECTOR, NOZZLE		0				
2	119600-11460	GASKET, NOZZLE		0				
3	105010-11490	CAP, VALVE		0				
4	119E10-11750	HEAD ASSY, CYLINDER		0				
11	119285-11990	PLUG, 35		0				
12	23876-005000	PLUG, R005		0				
13	119E10-11100	VALVE, SUCTION		0				
14	119E10-11110	VALVE, EXHAUST		0				
15	119717-11131	SPRING, VALVE		0				
16	129508-11180	RETAINER, SPRING		0				
17	119717-11190	COTTER		0				
18	119717-11340	SEAL, VALVE STEM		0				
19	119717-11350	SEAL, VALVE STEM		0				
20	22351-060012	"PIN, SPRING 6.0X12"		0				
21	119717-11200	SUPPORT ASSY, ARM		0				
22	119717-11240	SHAFT ASSY, ROCKER		0				
25	119717-11260	SUPPORT, ROCKER ARM		0				
26	119620-11280	SPRING		0				
27	119717-11650	ARM, ROCKER		0				
28	129150-11230	SCREW, VALVE ADJUST		0				
30	129150-11750	NUT, M8		0				
31	22242-000120	RING, 12		0				
32	26979-050162	SCREW, M5X16		0				
33	26106-080402	BOLT, M8X 40 PLATED		0				
34	124160-01751	COVER, FILLER		0				
35	119717-11381	BONNET ASSY, HEAD		0				
36	119717-03031	PLATE		0				
37	119717-03070	BAFFLE, BREATHER		0				
38	119717-03070	BAFFLE, BREATHER		0				
39	119802-03100	DIAPHRAGM ASSY		0				
40	119802-03110	PLATE		0				
41	119802-03121	COVER, DIAPHRAGM		0				
42	119802-03131	DIAPHRAGM		0				
43	119802-03141	SPRING, DIAPHRAGM		0				
45	119718-11310	GASKET, BONNET		0				
46	119717-11320	COVER, BONNET		0				
47	119717-11331	GASKET		0				
48	22857-500100	SCREW, 5X10		0				
49	22857-500100	SCREW, 5X10		0				
50	22857-500160	SCREW, 5X16		0				
51	24311-000320	"O-RING, 1AP32.0"		0				
52	26106-060202	BOLT, M6X20 PLATED		0				
53	26106-060752	BOLT, M6X75 PLATED		0				
54	129900-07900	LIFTER		0				
55	26106-080162	"BOLT, M8X 16 PLATED"		0				
NOTE								



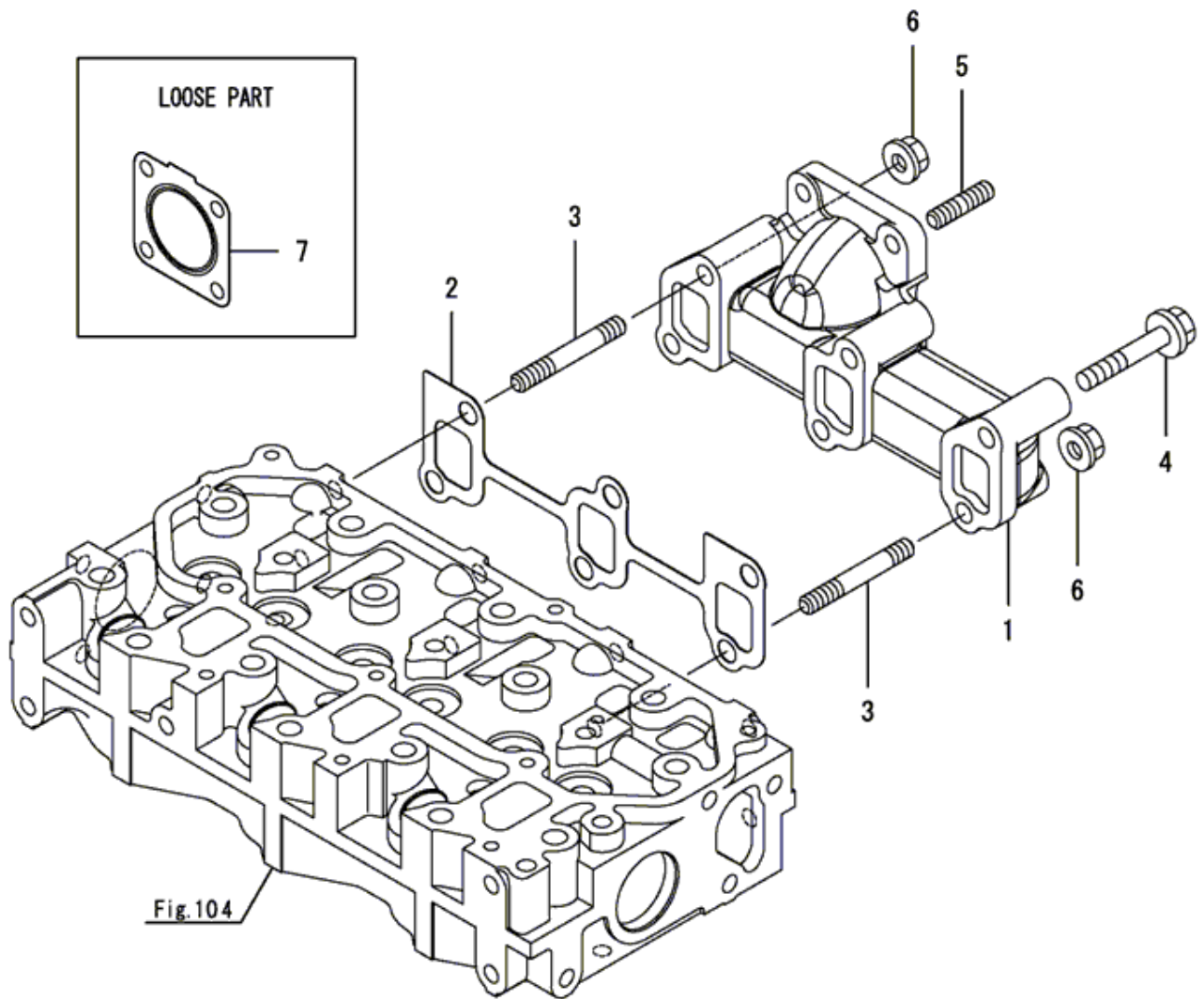
FIG

EXHAUST MANIFOLD

년/월  
Year/Month

TS25NCEU

2020.11



NOTE

<b>FIG</b> TS25NCEU	<b>EXHAUST MANIFOLD</b>	년/월 Year/Month
		2020.11

KEY NO	PART NO	DESCRIPTION	SPEC	QTY	REPAIR	EFFECTIVE DATE	REMARKS
1	119718-13100	MANIFOLD, EXHAUST		1			
2	119717-13110	GASKET		1			
3	119717-13600	STUD, M8X50		2			
4	119802-13620	BOLT, M8X50		4			
5	119131-18320	STUD, M8X22		4			
6	26306-080002	NUT, M8		2			
7	119515-13200	GASKET		1			

**NOTE**



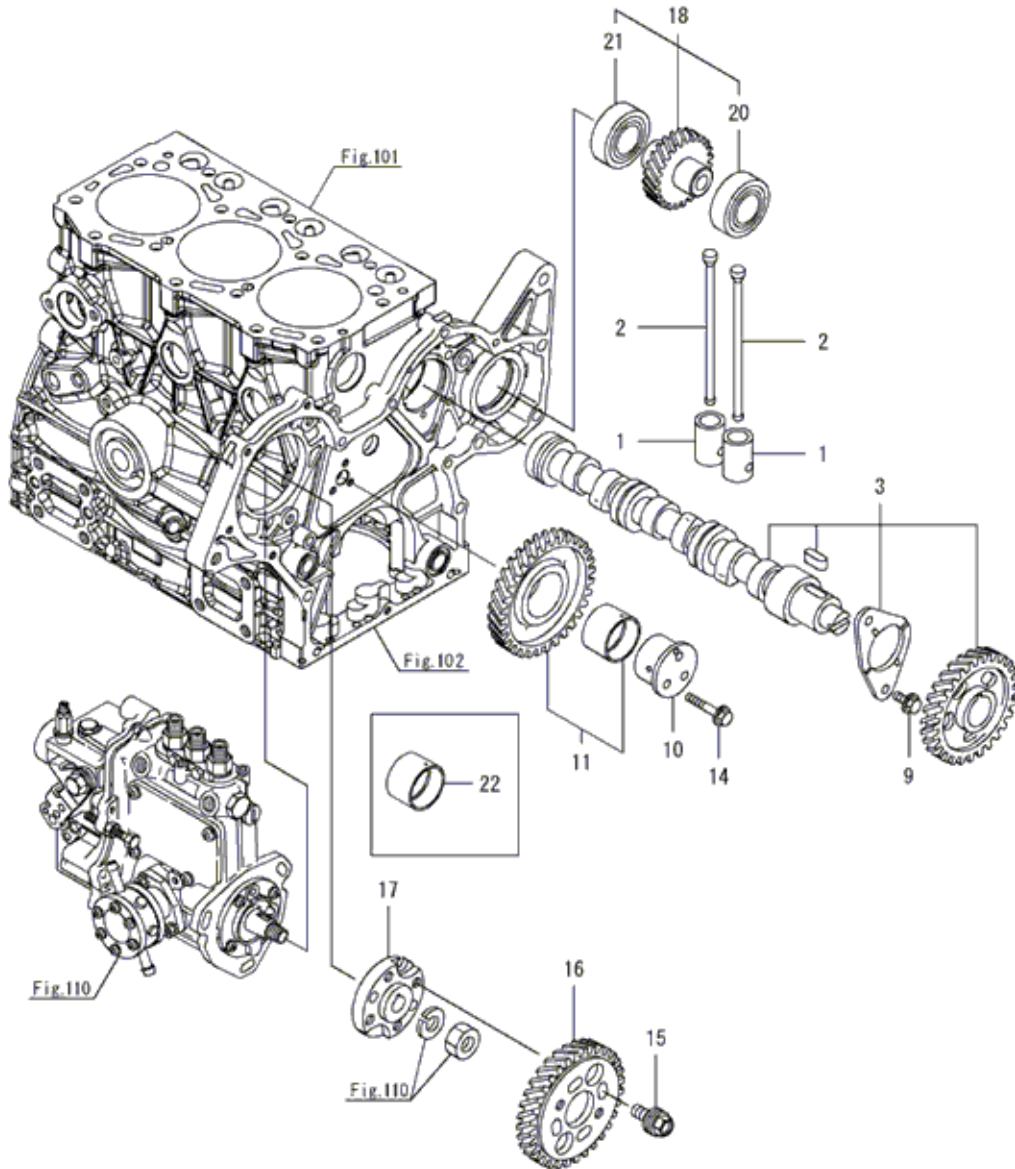
FIG

CAMSHAFT & DRIVING GEAR(TS25)

년/월  
Year/Month

TS25NCEU

2020.11



NOTE

FIG TS25NCEU		CAMSHAFT & DRIVING GEAR(TS25)					년/월 Year/Month			
							2020.11		EFFECTIVE DATE	REMARKS
							KEY NO	PART NO		
1	119620-14200	TAPPET		6						
2	119717-14400	ROD, PUSH		6						
3	119717-14581	CAMSHAFT ASSY		1						
9	26106-060122	BOLT, M6X12 PLATED		2						
10	119717-25050	SHAFT, IDLE		1						
11	119717-25101	GEAR ASSY, IDLE		1						
14	26106-060352	BOLT, M6X35 PLATED		3						
15	129150-25301	BOLT		4						
16	119717-25930	GEAR, PUMP		1						
17	119717-51150	FLANGE		1						
18	119717-26000	GEAR ASSY, PUMP		1						
20	129350-26490	BEARING, BALL 16005		1						
21	24104-060054	BALL BEARING #6005UU		1						
22	119717-25911	BUSH, IDLE GEAR		1						
NOTE										

## 2. Engine Accessories PART NO. T2

FIG AIR CLEANER	60
FIG RADIATOR	62
FIG MUFFLER	64
FIG ACCELERATOR	66
FIG FUEL FILTER	68
FIG ENGINE MOUNTING	70
FIG FUEL TANK & FUEL LINE	72

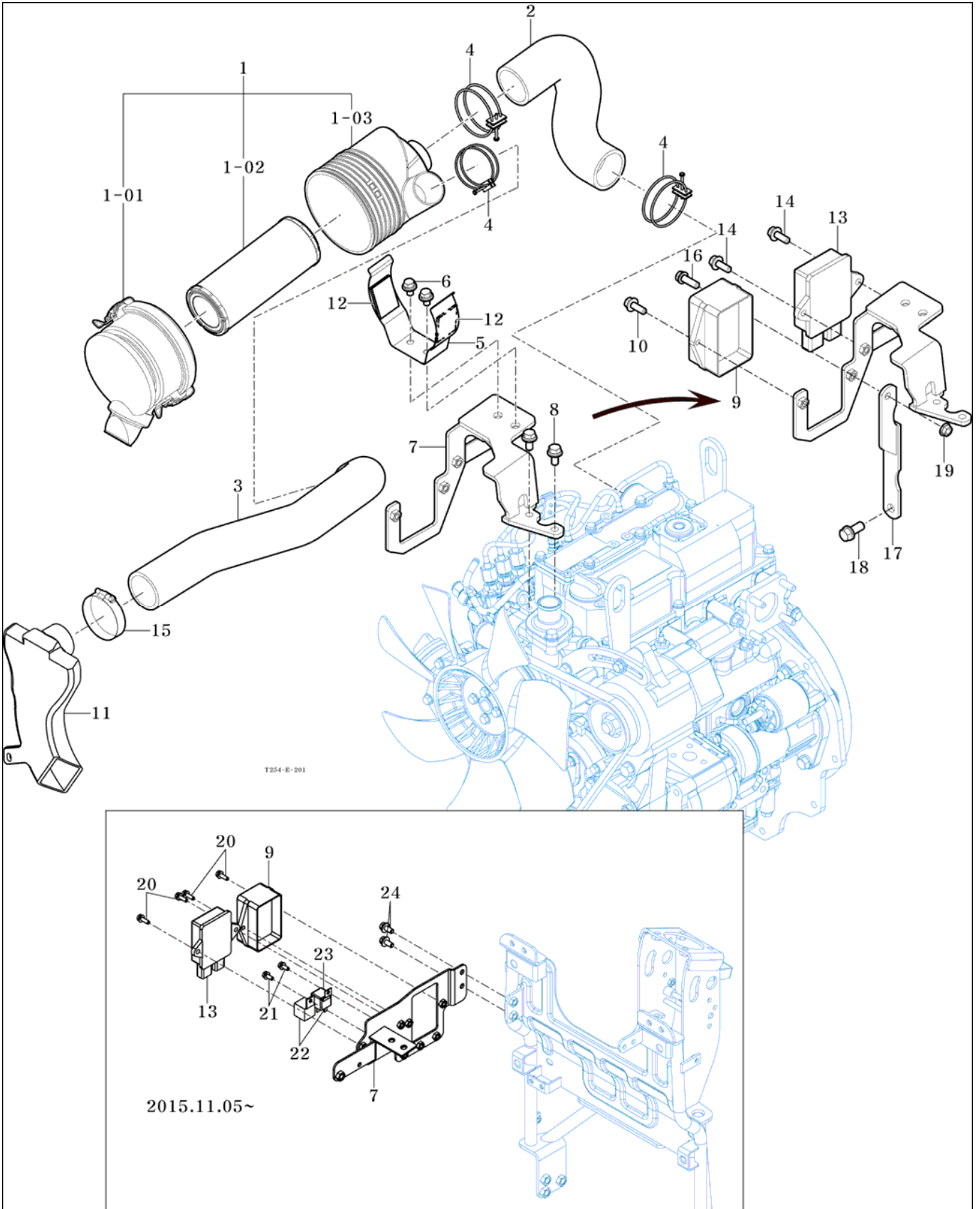
FIG

AIR CLEANER

년/월  
Year/Month

TS25NCEU

2020.11



NOTE



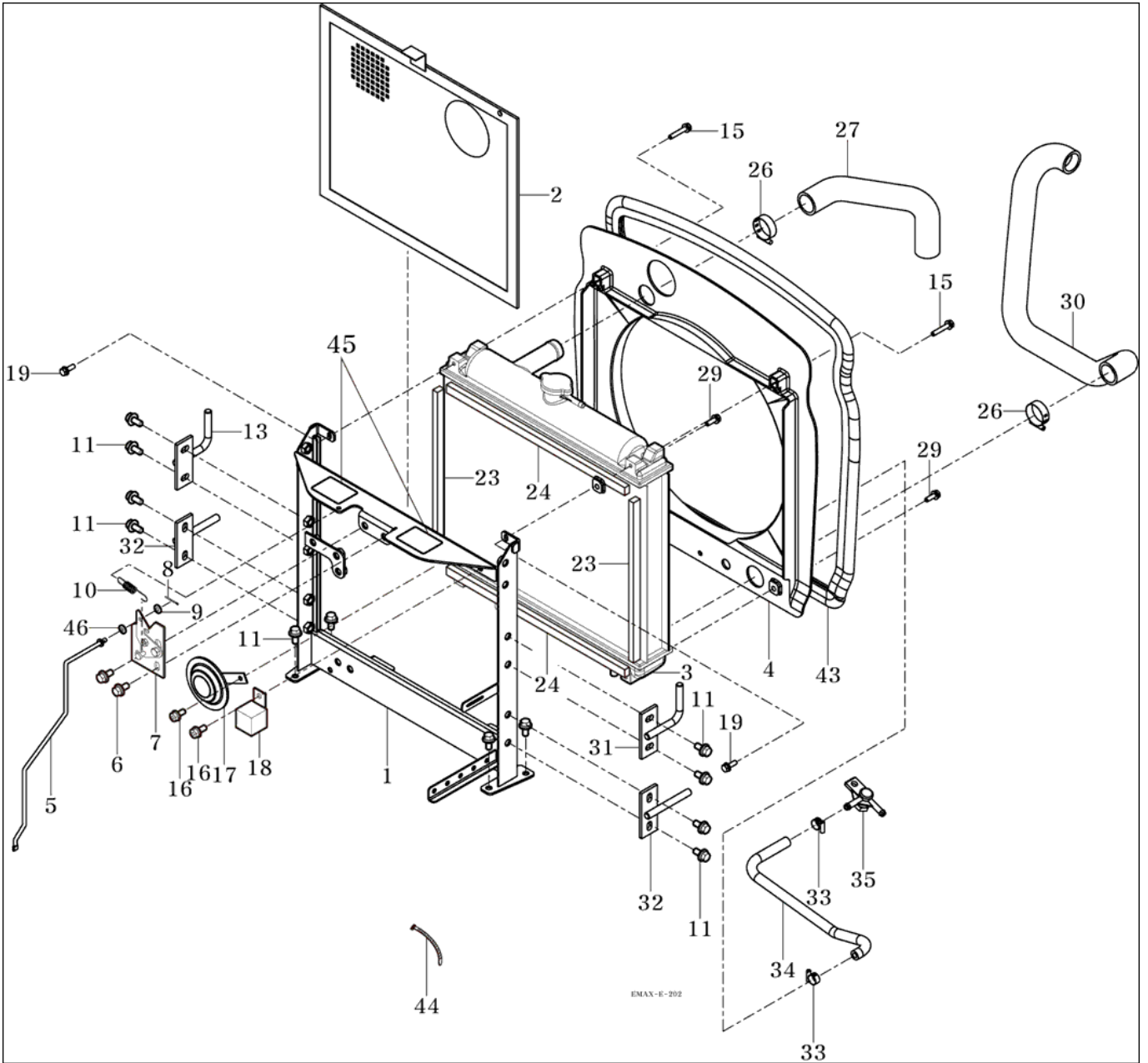
FIG

TS25NCEU

RADIATOR

년/월  
Year/Month

2020.11



NOTE



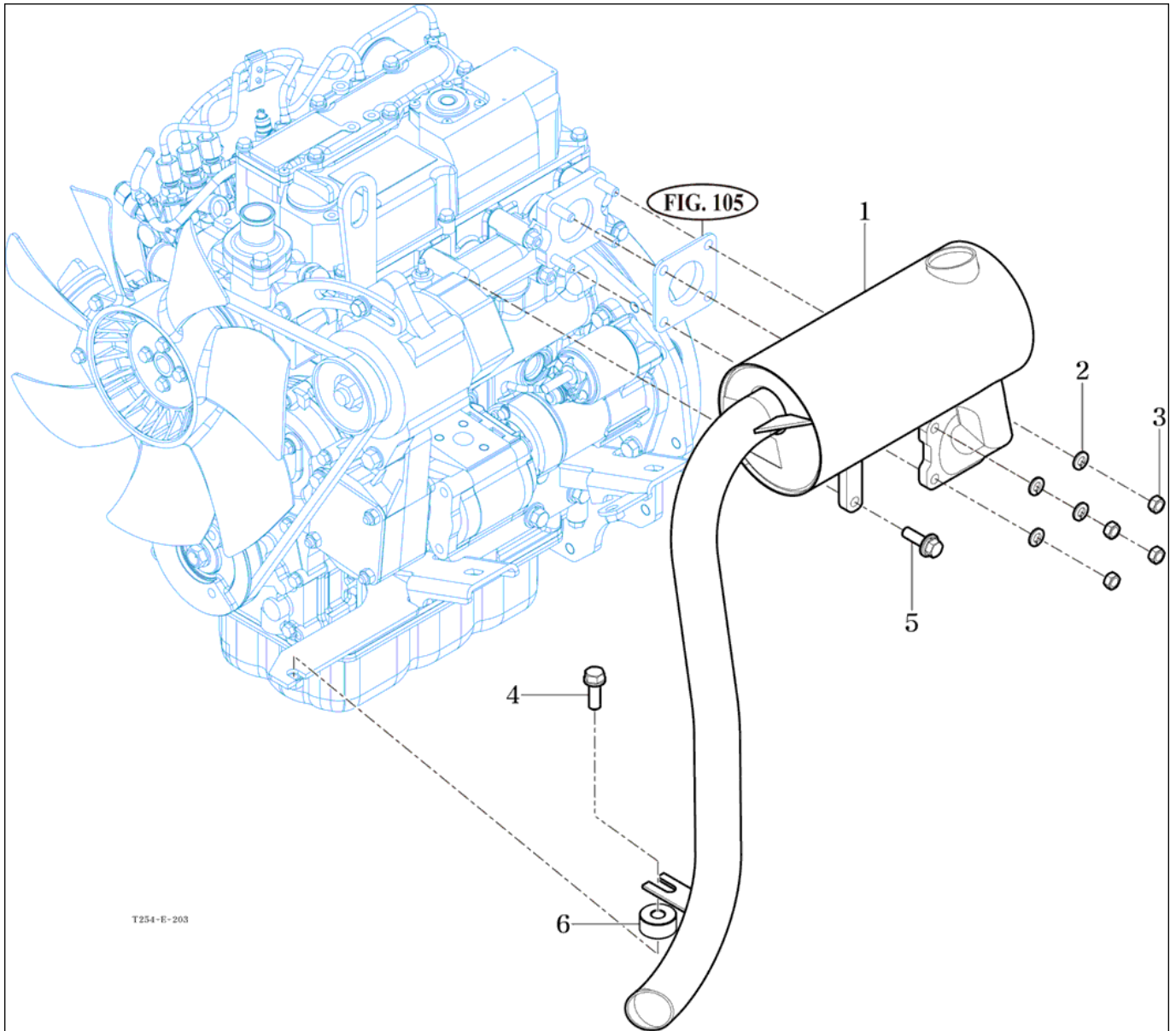
FIG

TS25NCEU

MUFFLER

년/월  
Year/Month

2020.11



NOTE





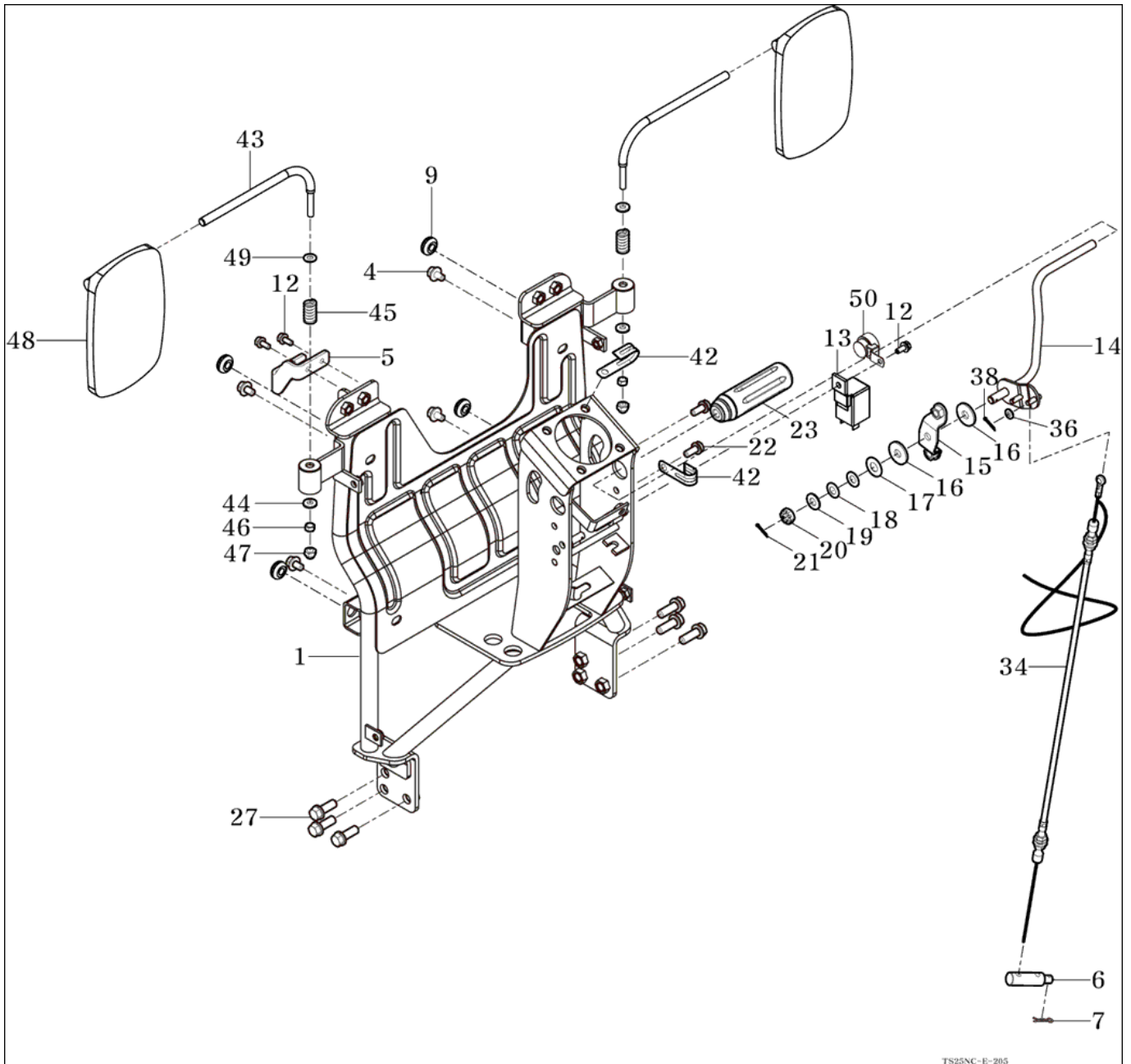
FIG

ACCELERATOR

년/월  
Year/Month

TS25NCEU

2020.11



NOTE



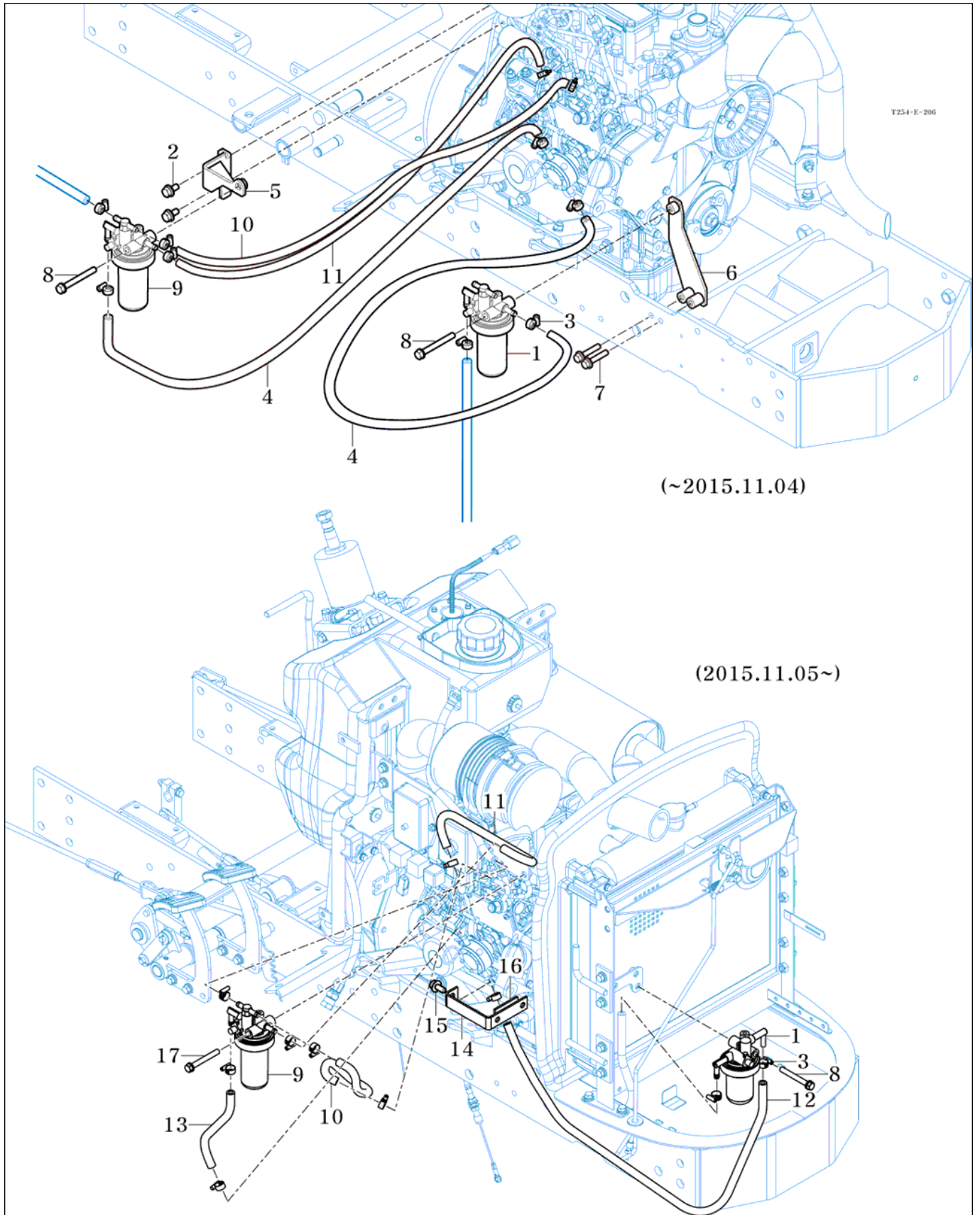
FIG

FUEL FILTER

년/월  
Year/Month

TS25NCEU

2020.11



NOTE



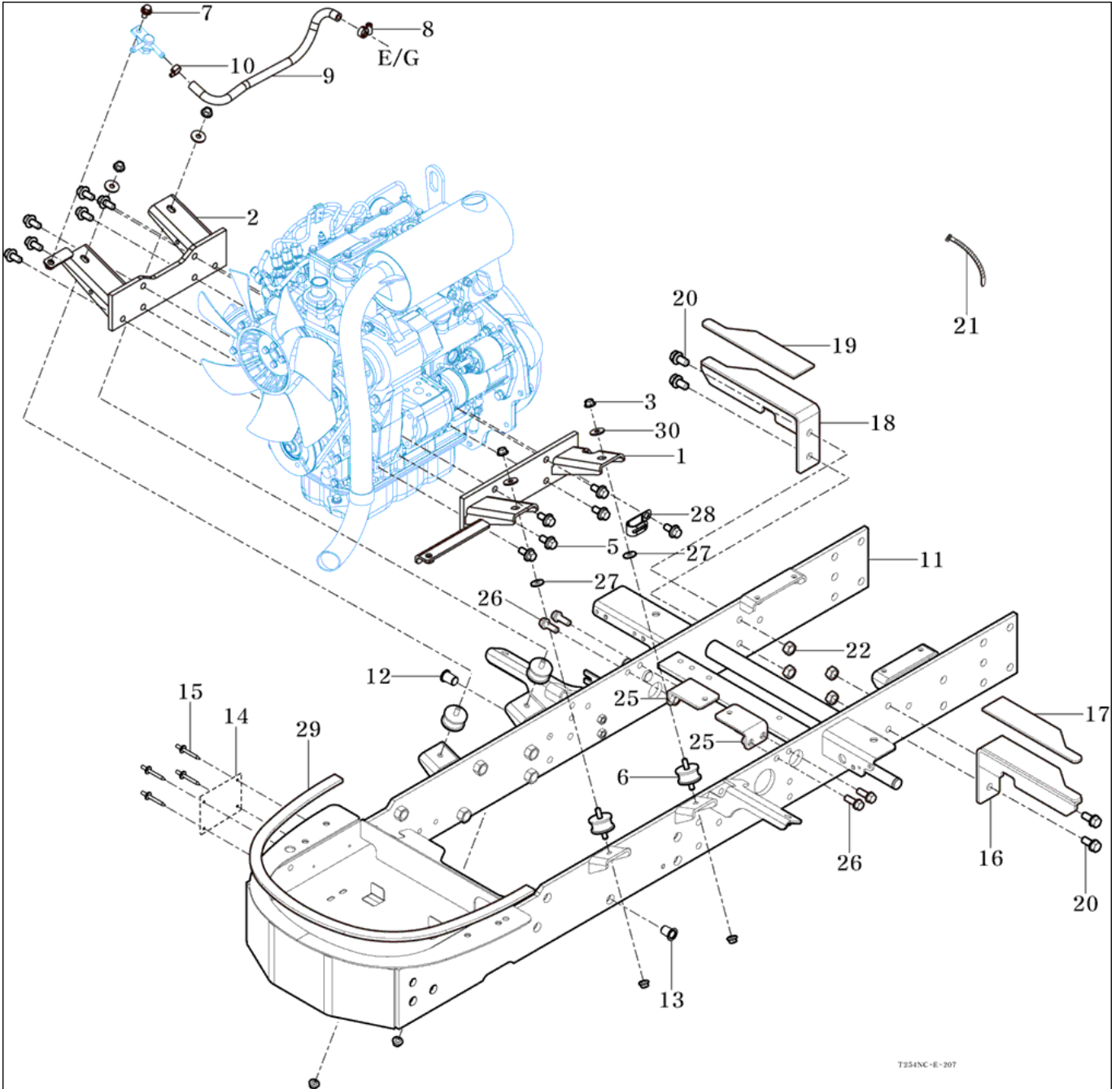
FIG

ENGINE MOUNTING

년/월  
Year/Month

TS25NCEU

2020.11



NOTE



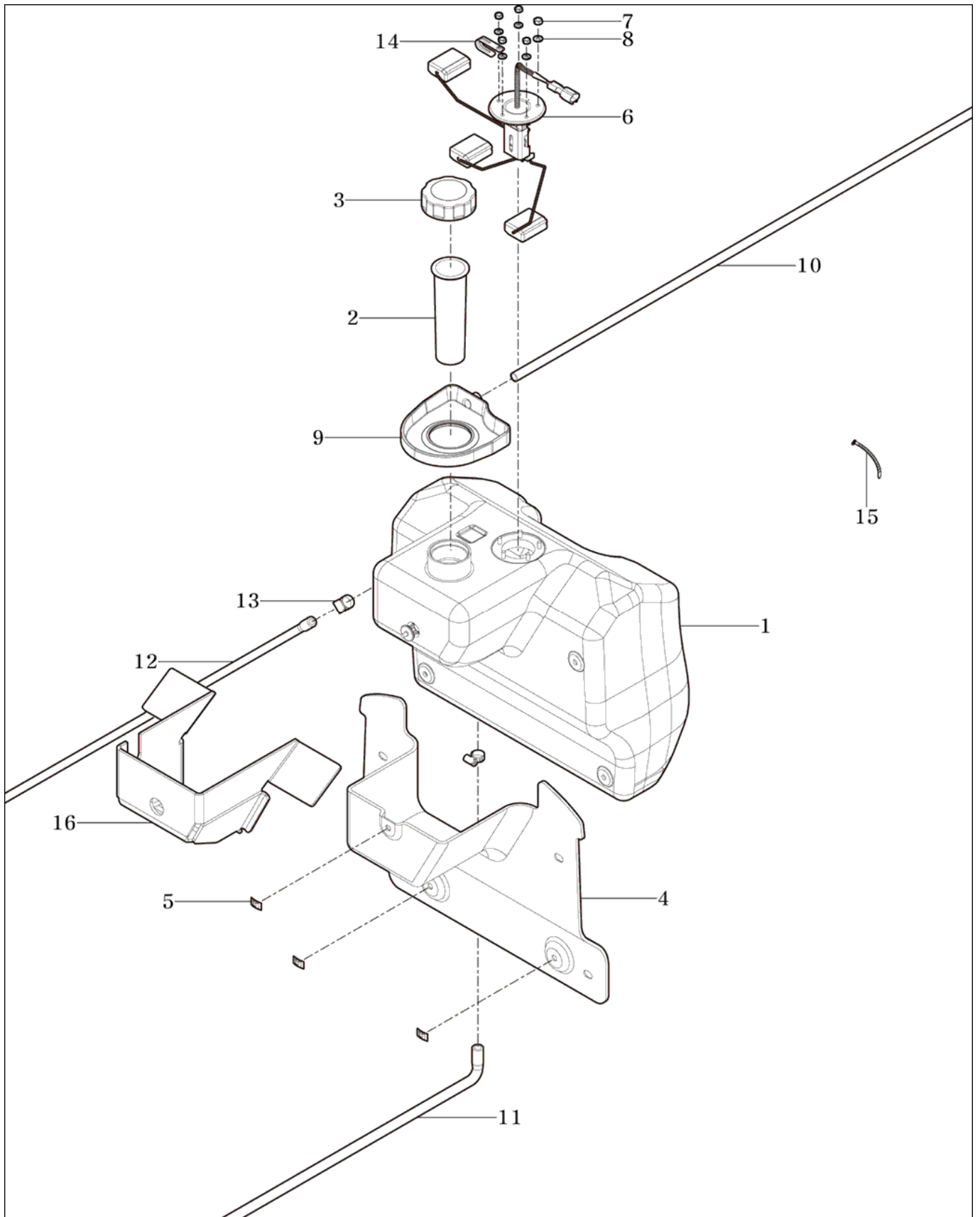
FIG

TS25NCEU

FUEL TANK & FUEL LINE

년/월  
Year/Month

2020.11



NOTE



FIG TS25NCEU		FUEL TANK & FUEL LINE					년/월 Year/Month	
							2020.11	
KEY NO	PART NO	DESCRIPTION	SPEC	QTY	REPAIR	EFFECTIVE DATE		
001	11101112101	TANK COMP , FUEL		1				
002	16731112130	FILTER	1X1X1	1				
003	13603102000	CAP ASSY , TANK	7.5X7.5X3.1	1				
006	11101112300	GAUGE ASSY , FUEL		1				
007	V3012600050	NUT , HEX/2	M5	5				
008	V4011600050	WASHER , SPRING	M5	5				
009	11101112010	COVER , INLET		1				
010	11101112020	HOSE ASSY, COVER		1				
011	11111114100	HOSE ASSY, FUEL/1110		1				
012	11111113401	HOSE ASSY , RETURN/380		1				
013	37481850030	BAND CLAMP 18	1/2 3/4	2				
014	37371720090	CLAMP , W/HARNESS		1				
015	13424020060	CABLE TIE , 300	1X1X1	5				
016	11101112031	INSULATOR , FUEL		1				
NOTE								

### 3. Clutch/Brake/Steering PART NO. T3

FIG FLYWHEEL COVER	75
FIG BRAKE	77
FIG CLUTCH , BRAKE PEDAL & LINKAGE	79
FIG ACCELERATOR PEDAL & CABLE	81
FIG DASH COVER	83
FIG STEERING VALVE	85
FIG STEERING CYLINDER	87
FIG STEERING WHEEL	89
FIG TIRE	91
FIG HAND BRAKE	93

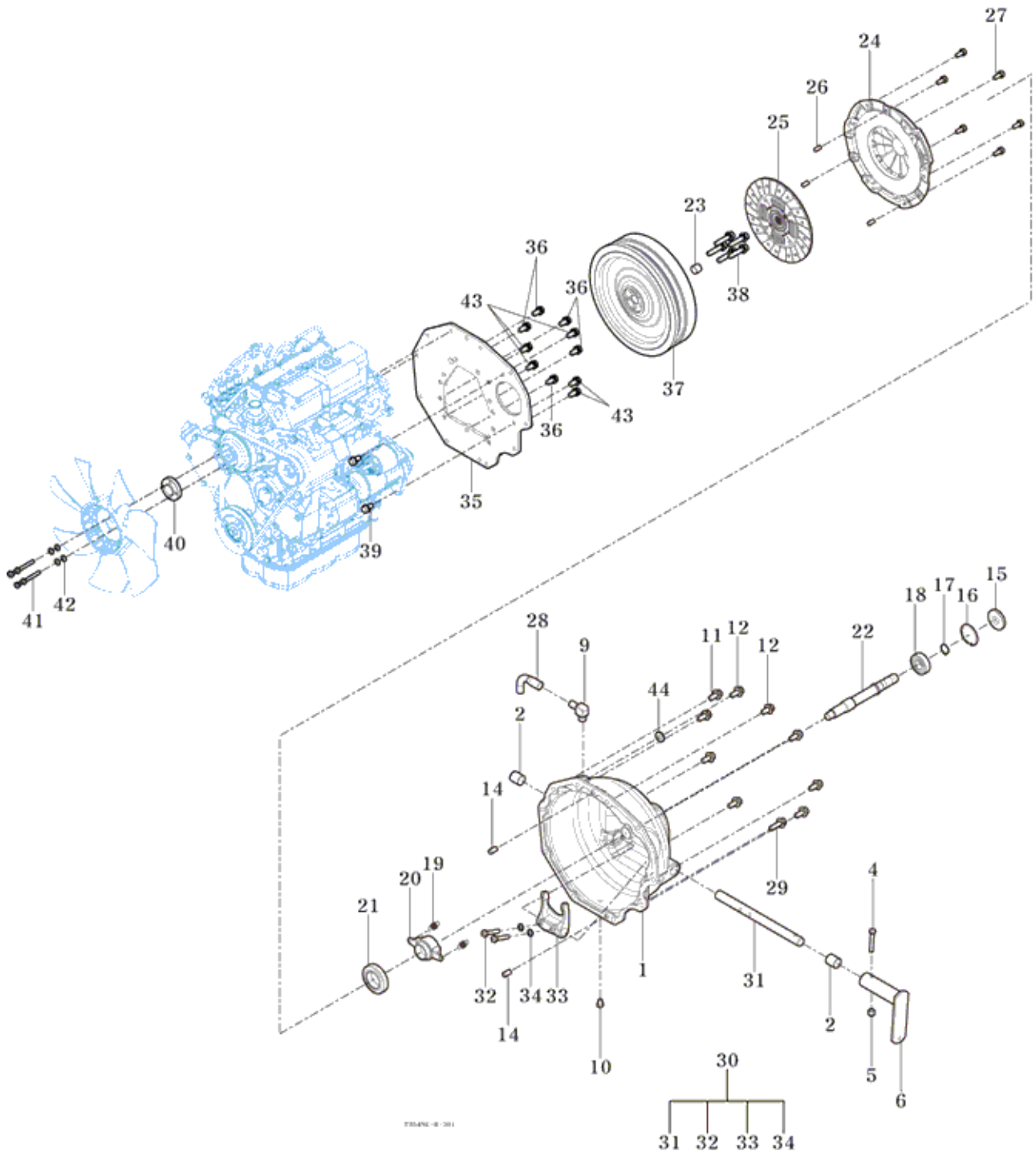
FIG

TS25NCEU

FLYWHEEL COVER

년/월  
Year/Month

2020.11



NOTE

FIG TS25NCEU		FLYWHEEL COVER						년/월 Year/Month
								2020.11
KEY NO	PART NO	DESCRIPTION	SPEC	QTY	REPAIR	EFFECTIVE DATE	REMARKS	
001	11501013011M	HOUSING , FLYWHEEL		1				
002	14521302150	BUSH , BAR COMP		2				
004	V2013608045	BOLT , HEX	M8X45	1				
005	84200000230	NUT/M8 , NYLON		1				
006	11501302100	ARM COMP , CLUTCH		1				
009	16992011110	CONNECTOR		1				
010	13267060022	PLUG , DRAIN		1				
011	V2183610025	BOLT , HEX/SP	M10X25	7				
012	V2183610020	BOLT , HEX/SP	M10X20	2				
014	V5201010018	PIN , PARALLEL/A		2				
015	V7442204707	SEAL , OIL/D		1				
016	V7051400470	C-RING , HOLE		1				
017	V7041400200	C-RING , SHAFT		1				
018	V6001506204	BEARING , BALL		1				
019	14321200040	SPRING , TENSION 31		2				
020	11501210040M	SLEEVE		1				
021	11501210050	BEARING , RELEASE SF0816		1				
022	11131100110	SHAFT , DRIVE		1				
023	11131100120	BUSH , 15X18X15		1				
024	11501212200	COVER ASSY , CLUTCH		1				
025	11501212100	DISK ASSY , CLUTCH 200		1				
026	V5211008016	PIN , PARALLEL/B		3				
027	V2173608020	BOLT , HEX/S	M8X20	6				
028	15134080020	HOSE , OIL		1				
029	V2183610035	BOLT , HEX/SP	M10X35	1				
030	11501302200	BAR SET , CLUTCH		1				
031	11501302011	SHAFT , FORK		1				
032	16791300020	BOLT , FORK/RELEASE		2				
033	18011300010M	FORK , RELEASE		1				
034	V4011600080	WASHER , SPRING		2				
035	11111480010GB	PLATE , REAR		1				
036	V2173610020	BOLT , HEX/S	M10X20	5				
037	11121012000	FLYWHEEL ASSY		1				
037	11111012000	FLYWHEEL ASSY		1				
038	19951019340	BOLT , FLYWHEEL		5				
039	11111480010GB	PLATE , REAR		1				
041	V2053606050	BOLT , HEX C/R		4				
042	V4011600060	WASHER , SPRING	M6	4				
043	V2173610025	BOLT , HEX/S		5				
044	13377210020	WASHER , 11X24X3		1				
NOTE								

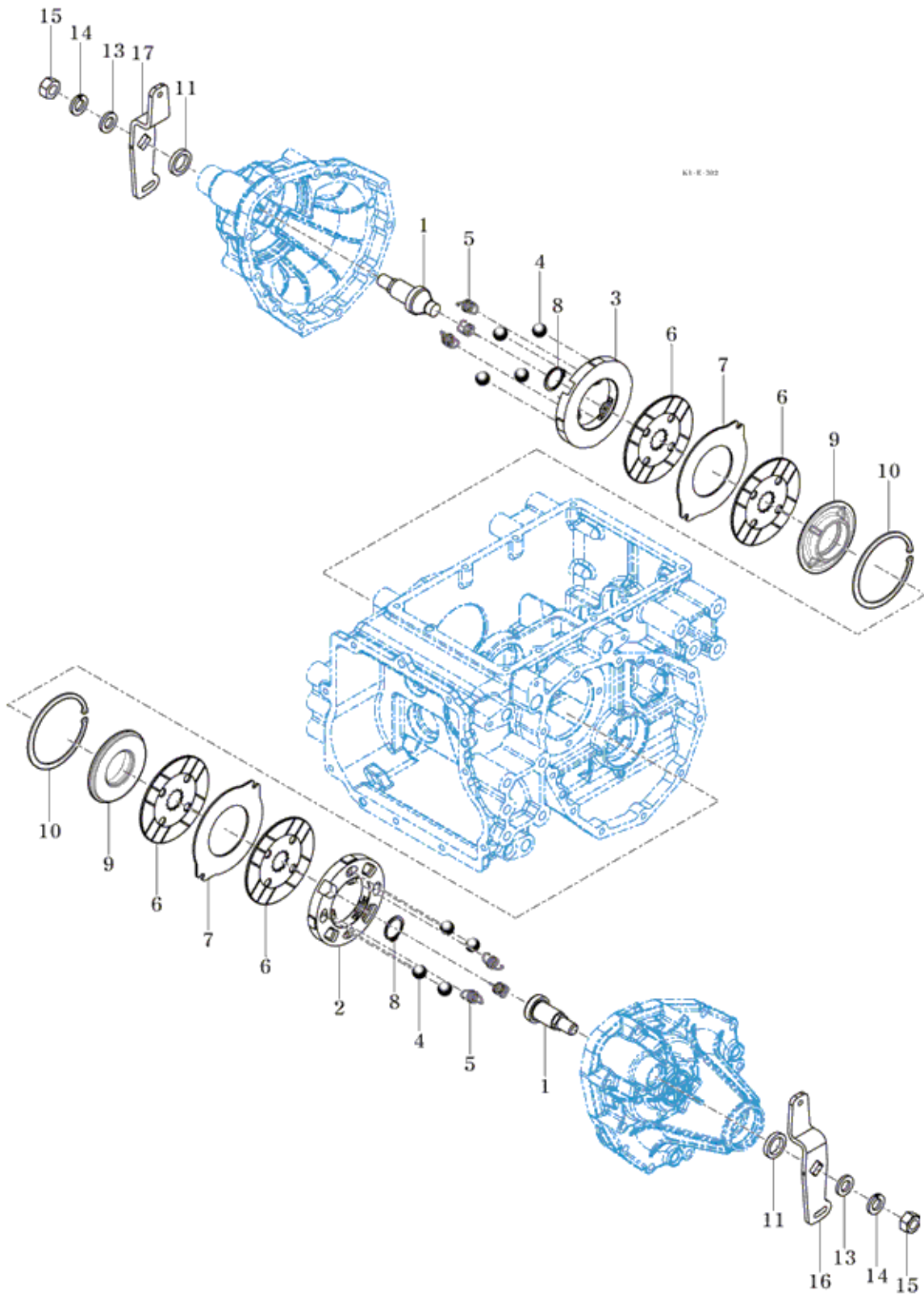
FIG

TS25NCEU

BRAKE

년/월  
Year/Month

2020.11



NOTE



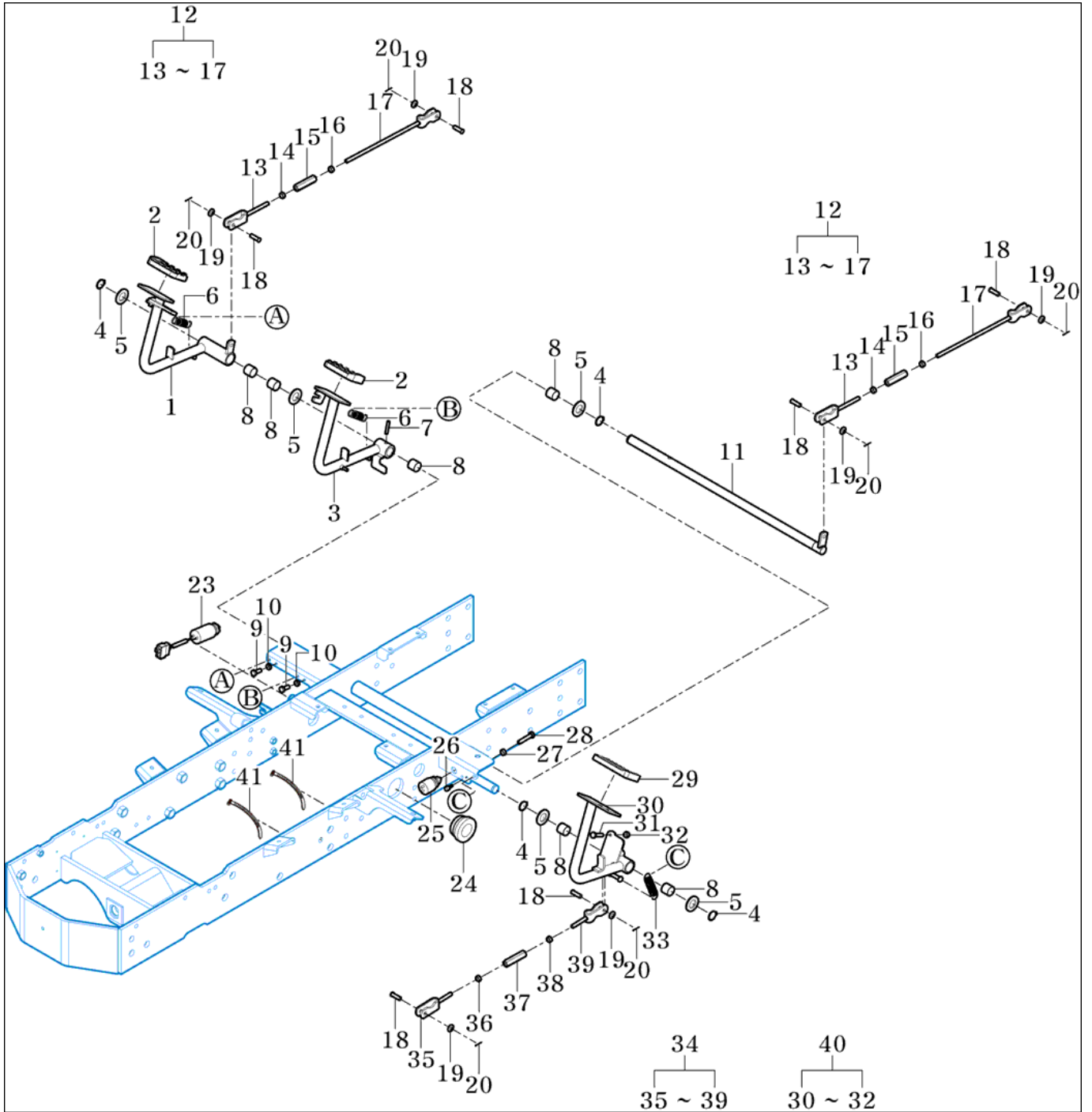
FIG

CLUTCH , BRAKE PEDAL & LINKAGE

년/월  
Year/Month

TS25NCEU

2020.11



NOTE

FIG TS25NCEU		CLUTCH , BRAKE PEDAL & LINKAGE					년/월 Year/Month	REMARKS
							2020.11	
KEY NO	PART NO	DESCRIPTION	SPEC	QTY	REPAIR	EFFECTIVE DATE	REMARKS	
001	11503283200GB	PEDAL COMP , BRAKE RH		1				
002	11503280020	PAD , BRAKE		2				
003	11503283100GB	PEDAL COMP , BRAKE LH		1				
004	V7041400200	C-RING , SHAFT	20	4				
005	V4111600200	WASHER , PLAIN	M20	5				
006	35822210090	SPRING , HE070	D=2.6	2				
007	V5801406032	PIN , SPRING	6X32	1				
008	11102320030	BUSH , 20X23X20		6				
009	V2013608020	BOLT , HEX	M8X20	2				
010	V3052600080	NUT , HEX/3	M8	2				
011	11503282100	ARM COMP , BRAKE		1				
012	11103284000	ROD ASSY , BRAKE		2				
013	11103284200	ROD COMP , HOOK RH		2				
014	V3043600080	NUT , HEX/2	M8	2				
015	16601220020	TURNBUCKLE , M8 L60		2				
016	15601320073	NUT , HEX LH	"2중,M8"	2				
017	11103284100	ROD COMP , HOOK		2				
018	21443370020	PIN , 08X25	D=8	6				
019	V4111600080	WASHER , PLAIN	M8	6				
020	V5001920015	PIN , SPLIT	2X15	6				
023	13153285001	SWITCH ASSY , BRAKE	1X1X1	1				
024	11501300030	MOUNTING RUBBER , CLUTCH		1				
025	15606642500	SWITCH SET , PUSH		1				
026	21004100070	STOPPER , ARM/CARRYING	HS80도	1				
027	V3042600080	NUT , HEX/2	M8	1				
028	V2013608040	BOLT , HEX	M8X40	1				
029	13153280050	PAD	1X1X1	1				
030	11501332100GB	PEDAL COMP , CLUTCH		1				
031	V2013608030	BOLT , HEX	M8X30	1				
032	V3042600080	NUT , HEX/2	M8	1				
033	11501330010	SPRING , RETURN		1				
034	11501305000	ROD ASSY , CLUTCH		1				
035	11501305200	ROD COMP , RH		1				
036	V3043600080	NUT , HEX/2	M8	1				
037	16601220020	TURNBUCKLE , M8 L60		1				
038	15601320073	NUT , HEX LH	"2중,M8"	1				
039	11501305100	ROD COMP , LH		1				
040	11501332000GB	PEDAL SUB , CLUTCH		1				
041	14256210040	CLAMP , 9		1				
041	14216210380	CABLE TIE , 200		1				
042	V2183608012	BOLT , HEX/SP	M8X12	1				
NOTE								



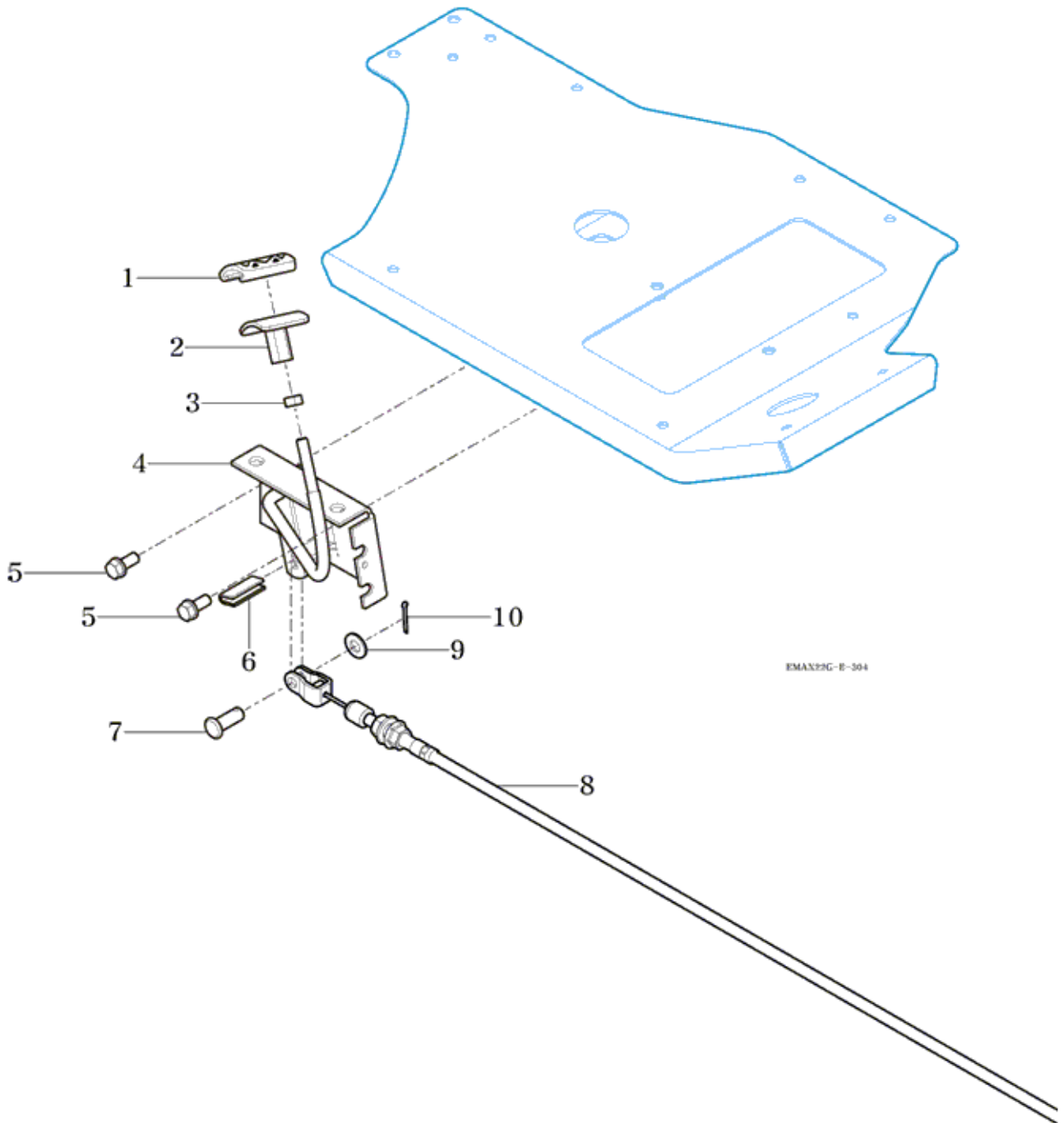
FIG

TS25NCEU

ACCELERATOR PEDAL & CABLE

년/월  
Year/Month

2020.11



NOTE

FIG TS25NCEU	ACCELERATOR PEDAL & CABLE	년/월 Year/Month
		2020.11

KEY NO	PART NO	DESCRIPTION	SPEC	QTY	REPAIR	EFFECTIVE DATE	REMARKS
001	16791220010	PAD		1			
002	16001220000GB	PLATE COMP , ACCELERATOR		1			
003	V3042600080	NUT , HEX/2	M8	1			
004	11501162001GB	BRACKET COMP , ACCEL		1			
005	V2173608020	BOLT , HEX/S	M8X20	2			
006	16997021960	INSULATOR , 32		1			
007	15601160083	PIN , 06X16		1			
008	11131162300	CABLE ASSY , ACCELERATOR/F		1			
009	V4111600060	WASHER , PLAIN	M6	1			
010	V5001920020	PIN , SPLIT		1			

NOTE

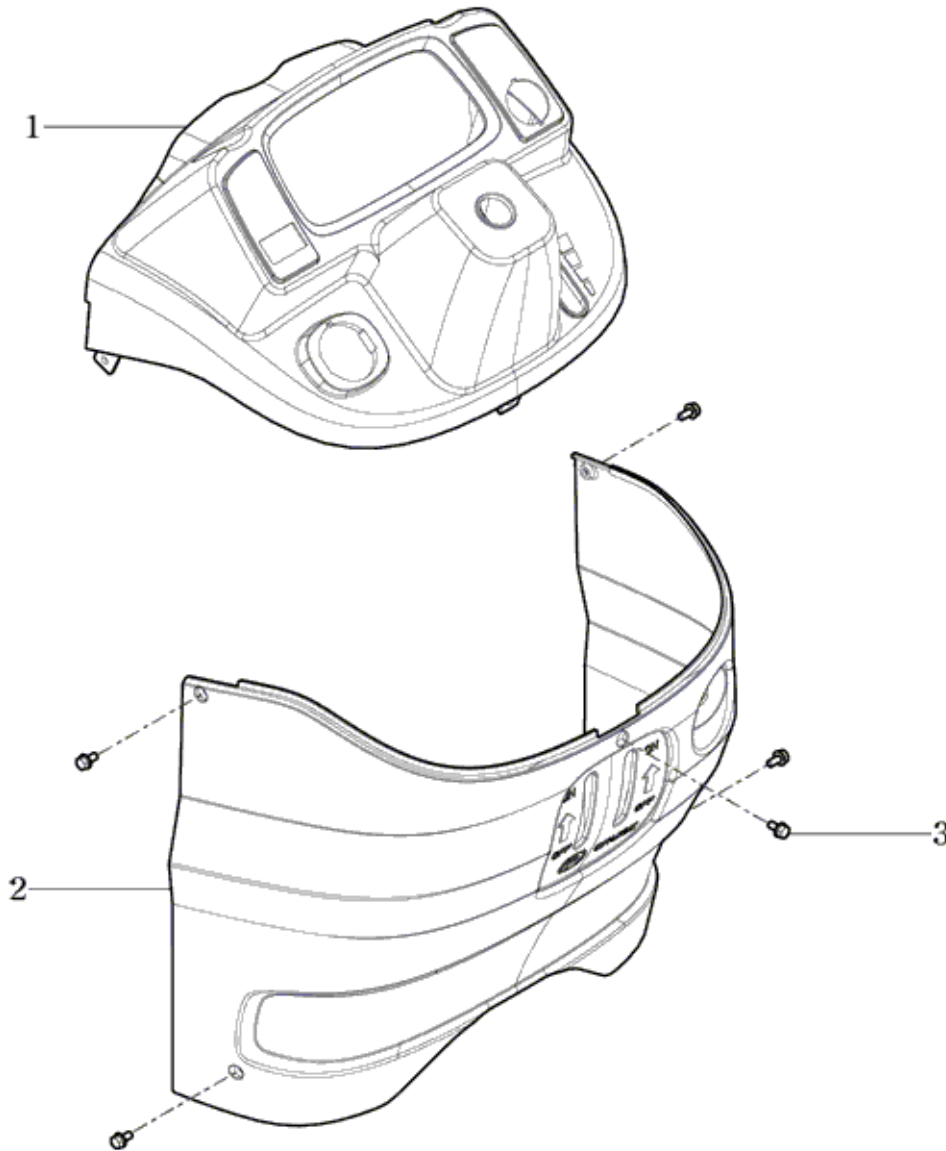
FIG

TS25NCEU

DASH COVER

년/월  
Year/Month

2020.11



NOTE



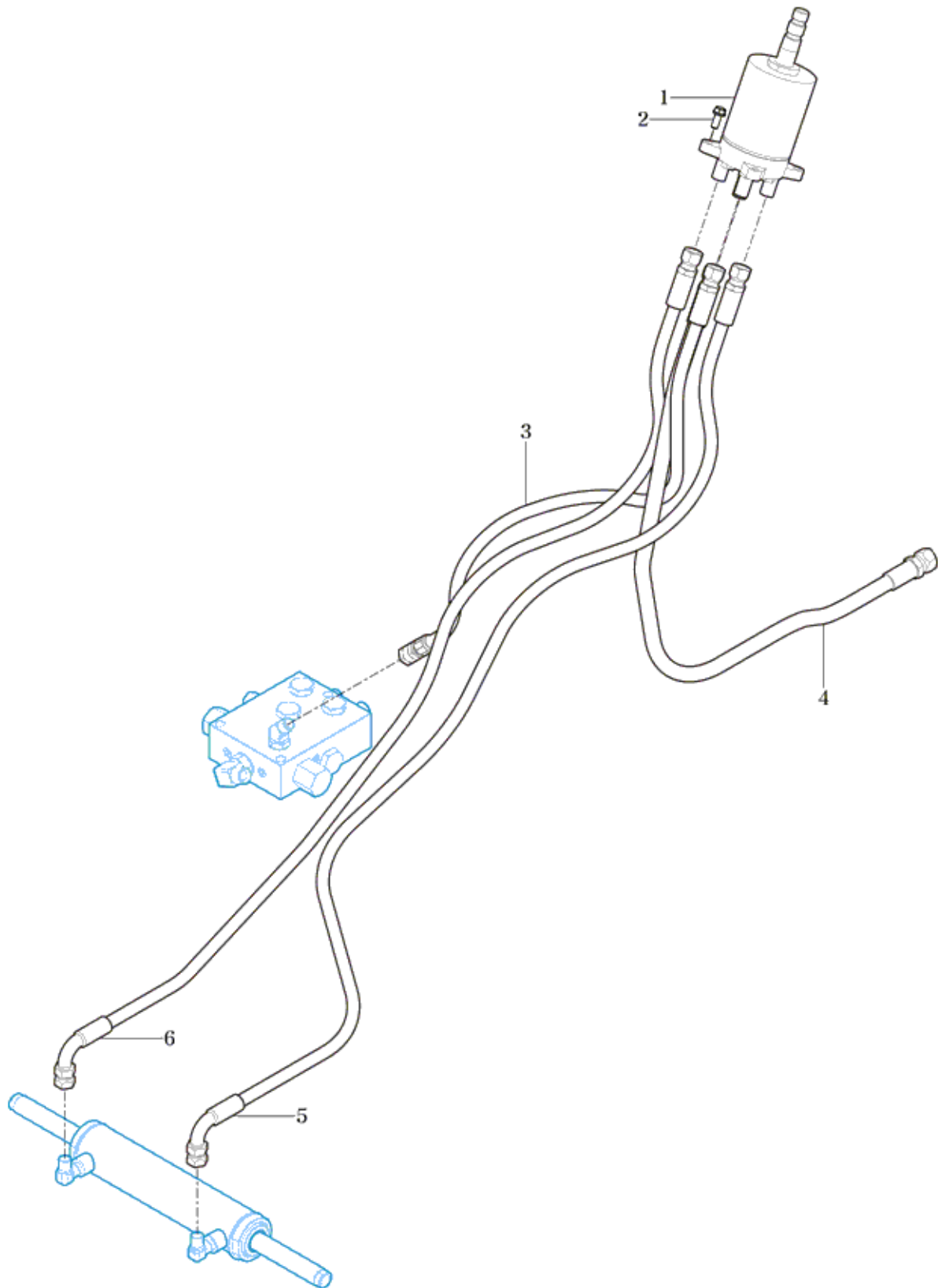
FIG

TS25NCEU

STEERING VALVE

년/월  
Year/Month

2020.11



NOTE



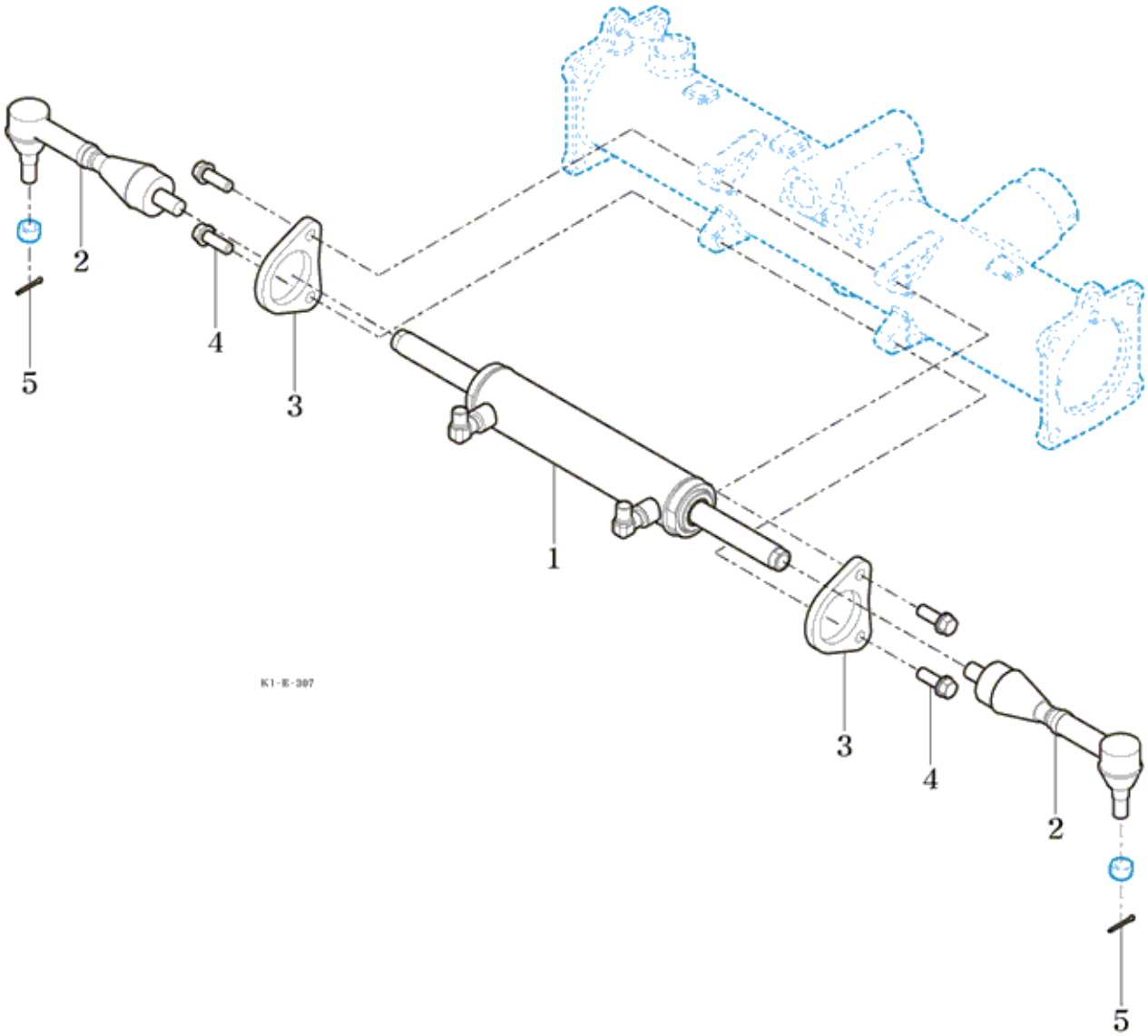
FIG

TS25NCEU

STEERING CYLINDER

년/월  
Year/Month

2020.11



NOTE





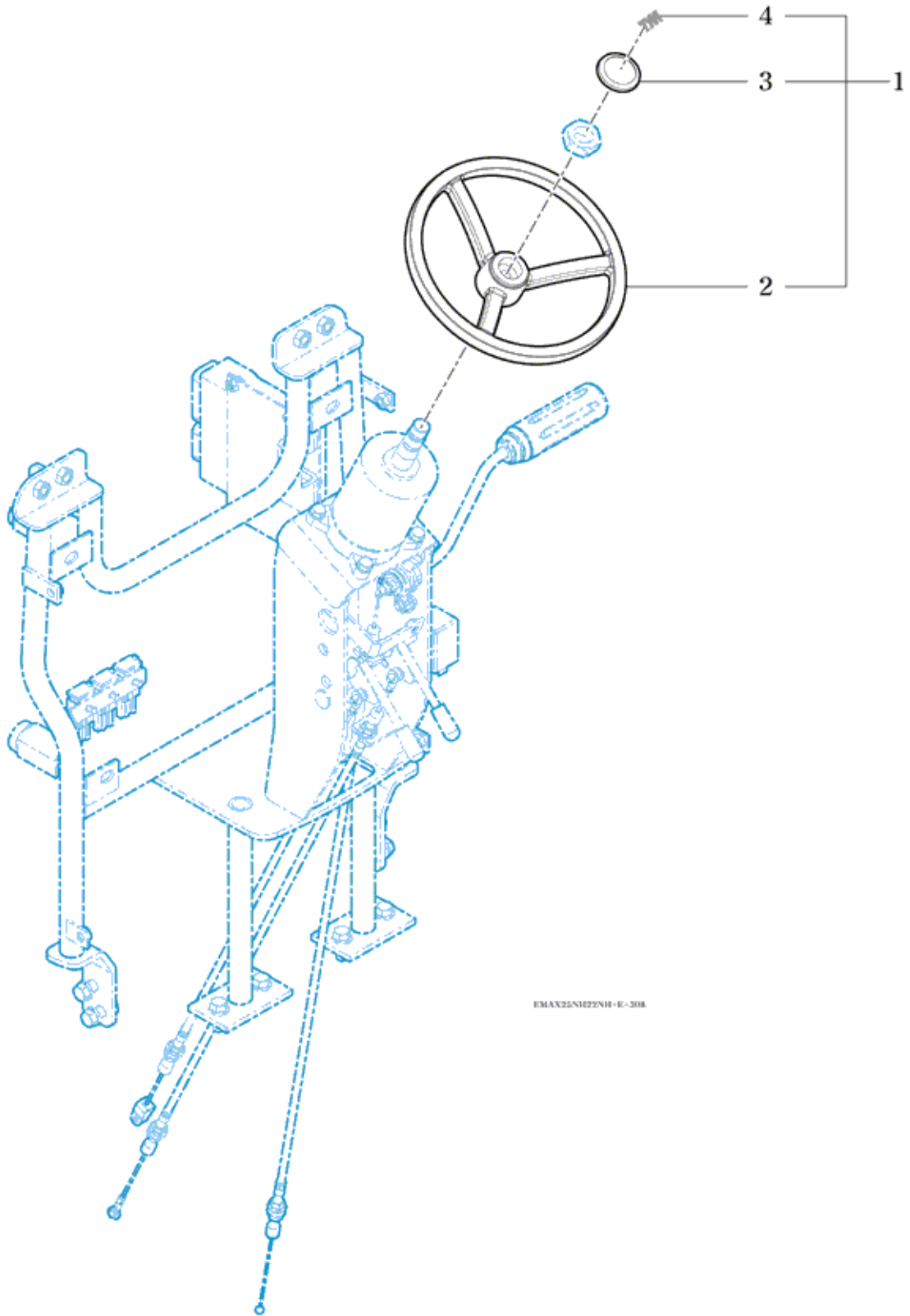
FIG

TS25NCEU

STEERING WHEEL

년/월  
Year/Month

2020.11



NOTE



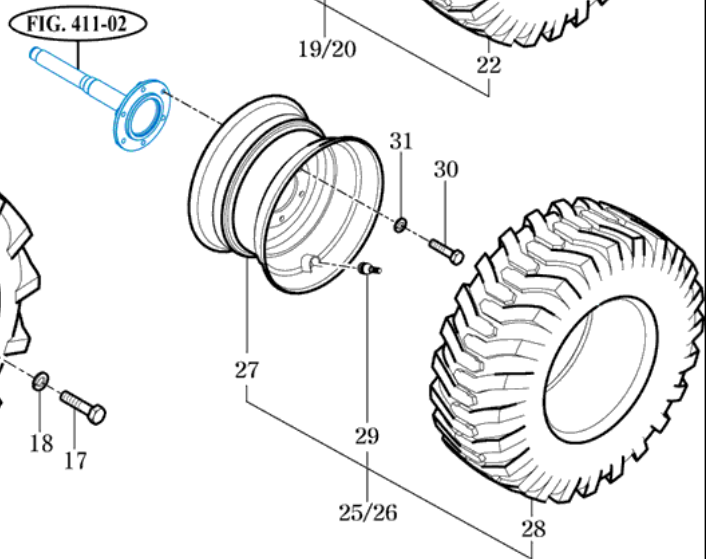
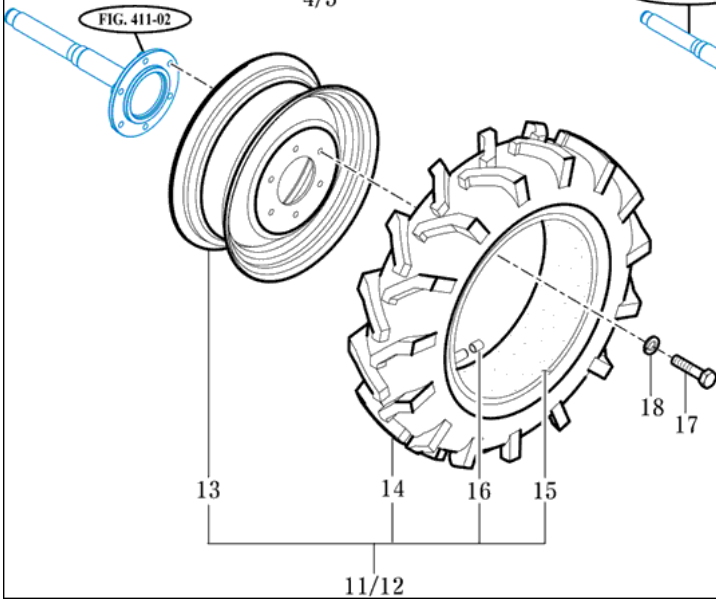
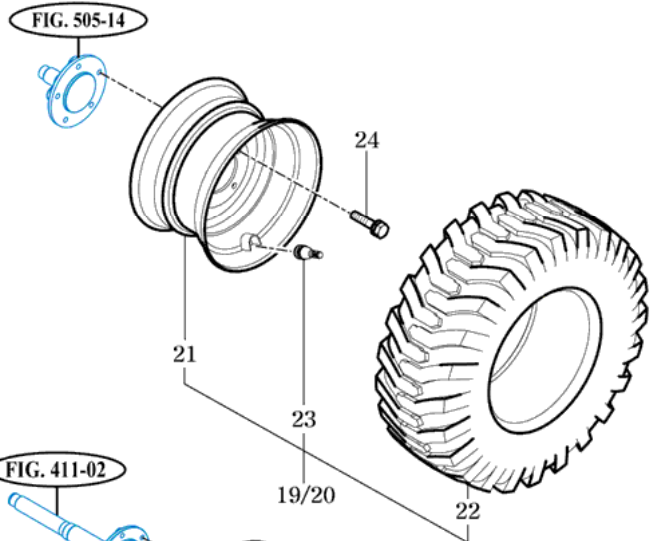
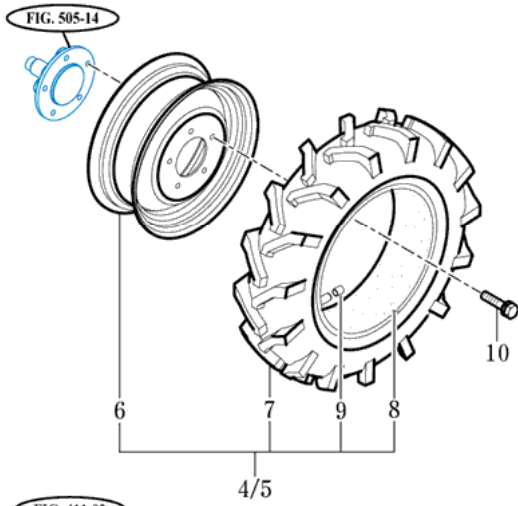
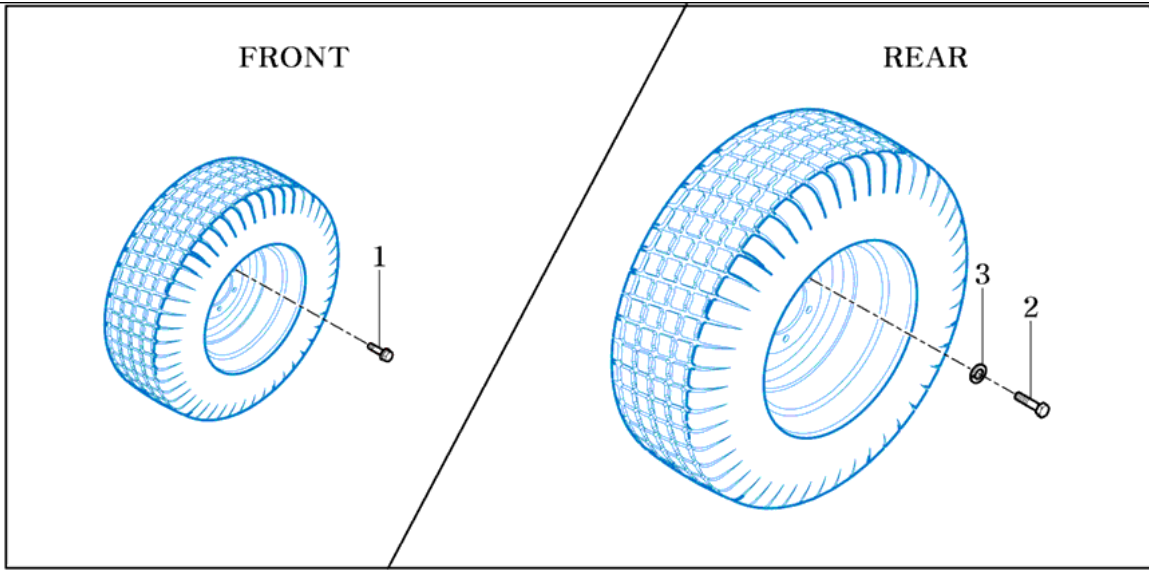
FIG

TIRE

년/월  
Year/Month

TS25NCEU

2020.11



TS25NCE-309

NOTE



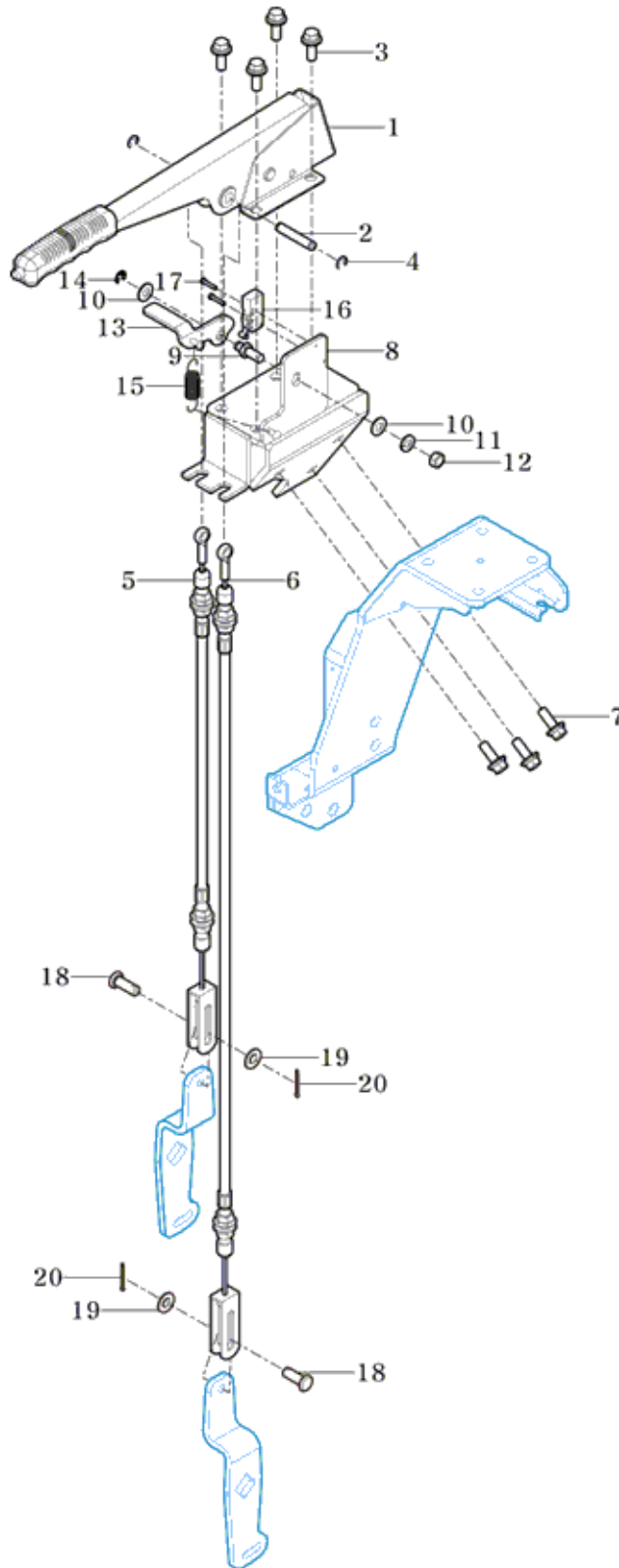
FIG

TS25NCEU

HAND BRAKE

년/월  
Year/Month

2020.11



NOTE

FIG TS25NCEU		HAND BRAKE					년/월 Year/Month	REMARKS
							2020.11	
KEY NO	PART NO	DESCRIPTION	SPEC	QTY	REPAIR	EFFECTIVE DATE		
001	13613202100	BRAKE , HAND		1				
002	11143292160	SHAFT , HANDBRAKE		1				
003	V2183608020	BOLT , HEX/SP	M8X20	4				
004	V7081400060	E-RING		2				
005	11143292200	CABLE ASSY , HAND BRAKE /LH		1				
006	11143292300	CABLE ASSY , HAND BRAKE /RH		1				
007	V2183608025	BOLT , HEX/SP	M8X25	3				
008	11143292100GB	BRACKET COMP , HAND BRAKE		1				
009	19027612020	PIN , M8		1				
010	V4111600080	WASHER , PLAIN	M8	2				
011	V4011600080	WASHER , SPRING	M8	1				
012	V3042600080	NUT , HEX/2	M8	1				
013	19027612301	CAM COMP		1				
014	V7081400060	E-RING		1				
015	14801170020	SPRING , TENSION 52		1				
016	34522153200	SWITCH		1				
017	V1112603016	SCREW . C/R PAN		2				
018	14322420010	PIN		2				
019	V4111600080	WASHER , PLAIN	M8	2				
020	V5001920020	PIN , SPLIT		2				
NOTE								

## 4. Transmission PART NO. T4

FIG INPUT SHAFT	96
FIG INPUT GEAR	98
FIG REAR TRANSMISSION CASE	100
FIG REAR AXLE HOUSING	102
FIG MAIN SHIFT LEVER	104
FIG RANGE SHIFT LEVER	106
FIG P.T.O CHANGE LEVER	108
FIG 4WD CHANGE LEVER	110
FIG TRANSMISSION MOUNTING	112
FIG MAIN SHIFT GEAR	114
FIG RANGE GEAR	116
FIG 4WD DRIVE GEAR	118
FIG P.T.O DRIVE SHAFT	120
FIG P.T.O SHAFT	122
FIG MID P.T.O GEAR	124
FIG DIFF LOCK	126
FIG MID TRANSMISSION CASE	128

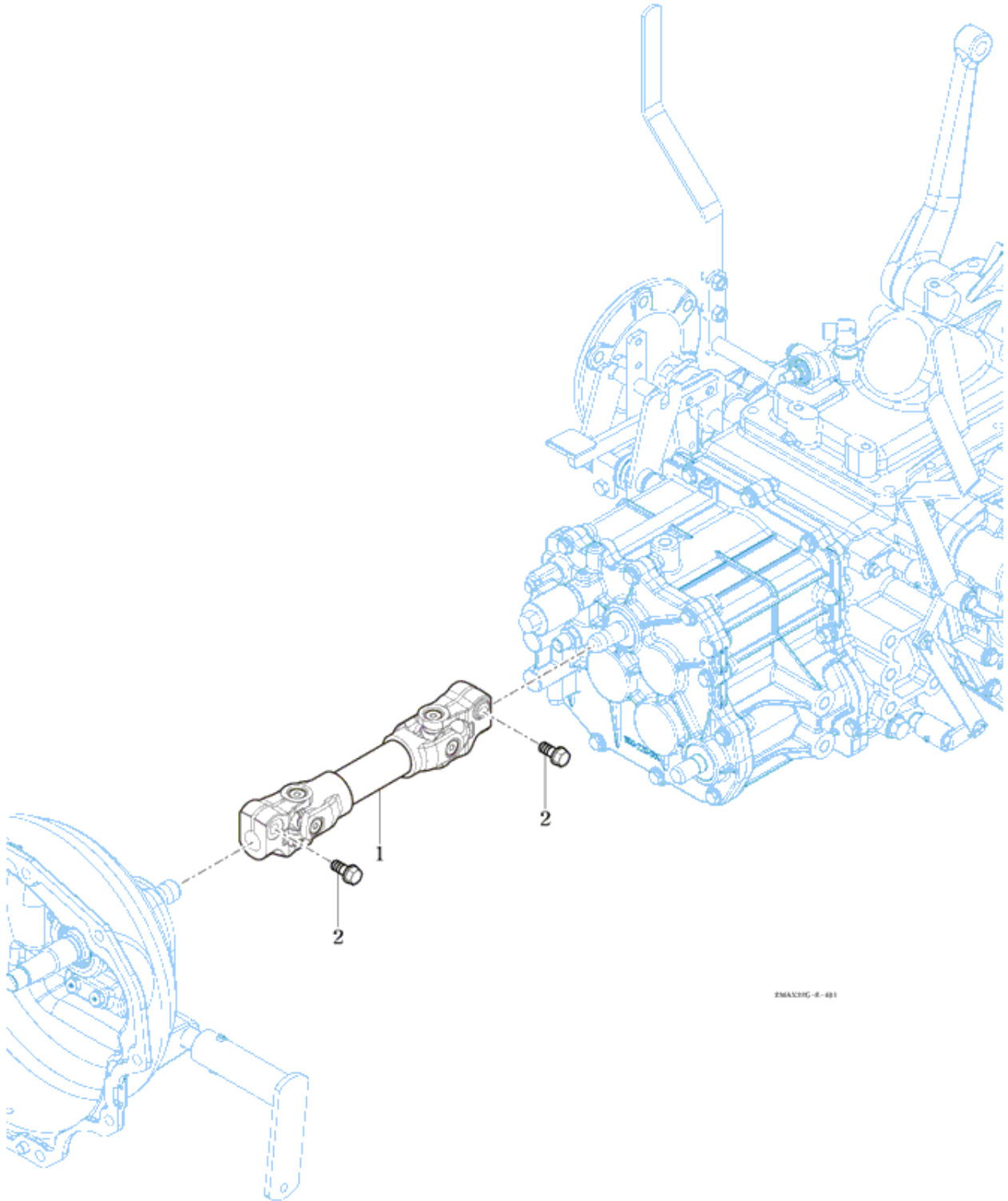
FIG

TS25NCEU

INPUT SHAFT

년/월  
Year/Month

2020.11



NOTE



FIG		INPUT SHAFT					년/월 Year/Month	
TS25NCEU							2020.11	
KEY NO	PART NO	DESCRIPTION	SPEC	QTY	REPAIR	EFFECTIVE DATE	REMARKS	
001	11502012001GB	SHAFT ASSY , INPUT		1				
002	V2173608035	BOLT , HEX/S	M8X35	2				
NOTE								

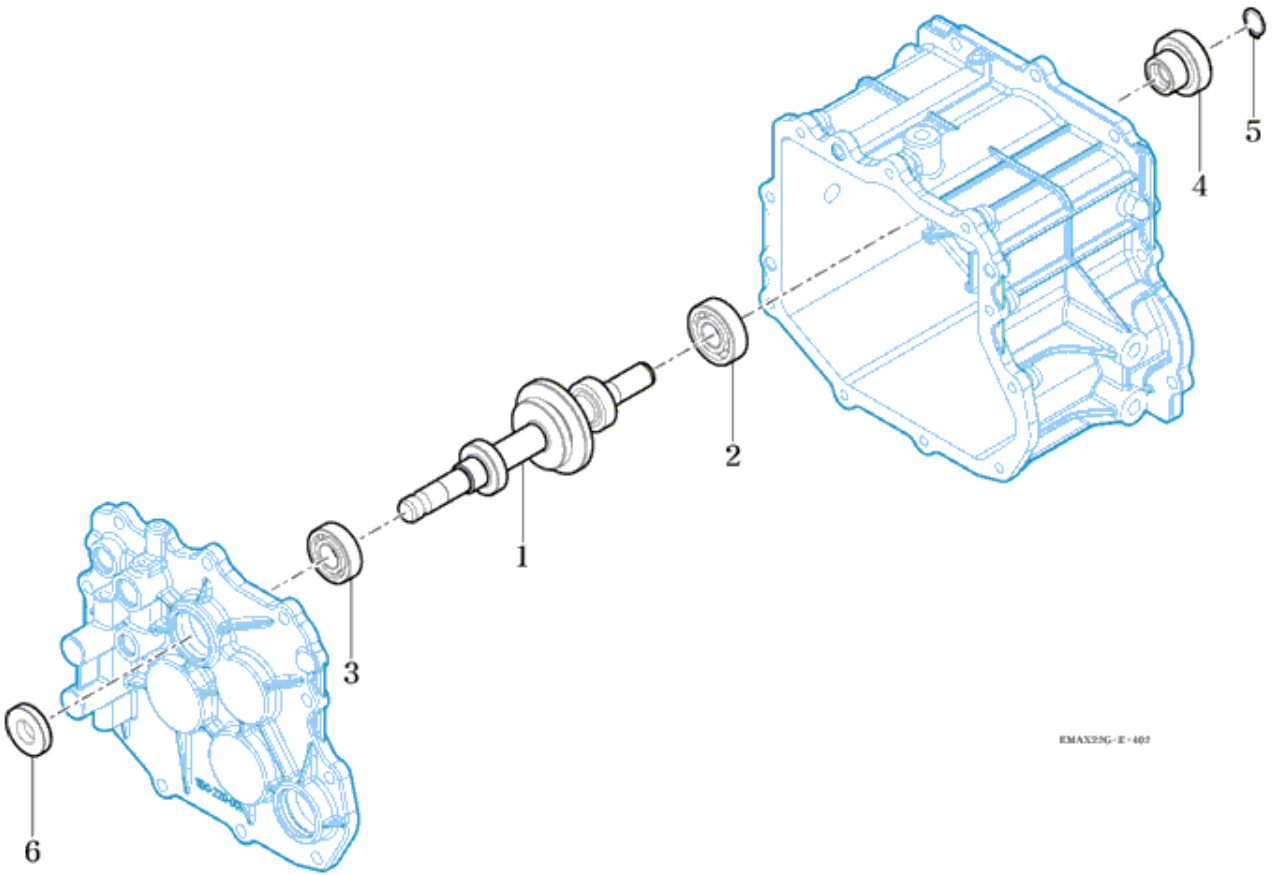
FIG

TS25NCEU

# INPUT GEAR

년/월  
Year/Month

2020.11



EMAX22G-E-402

NOTE



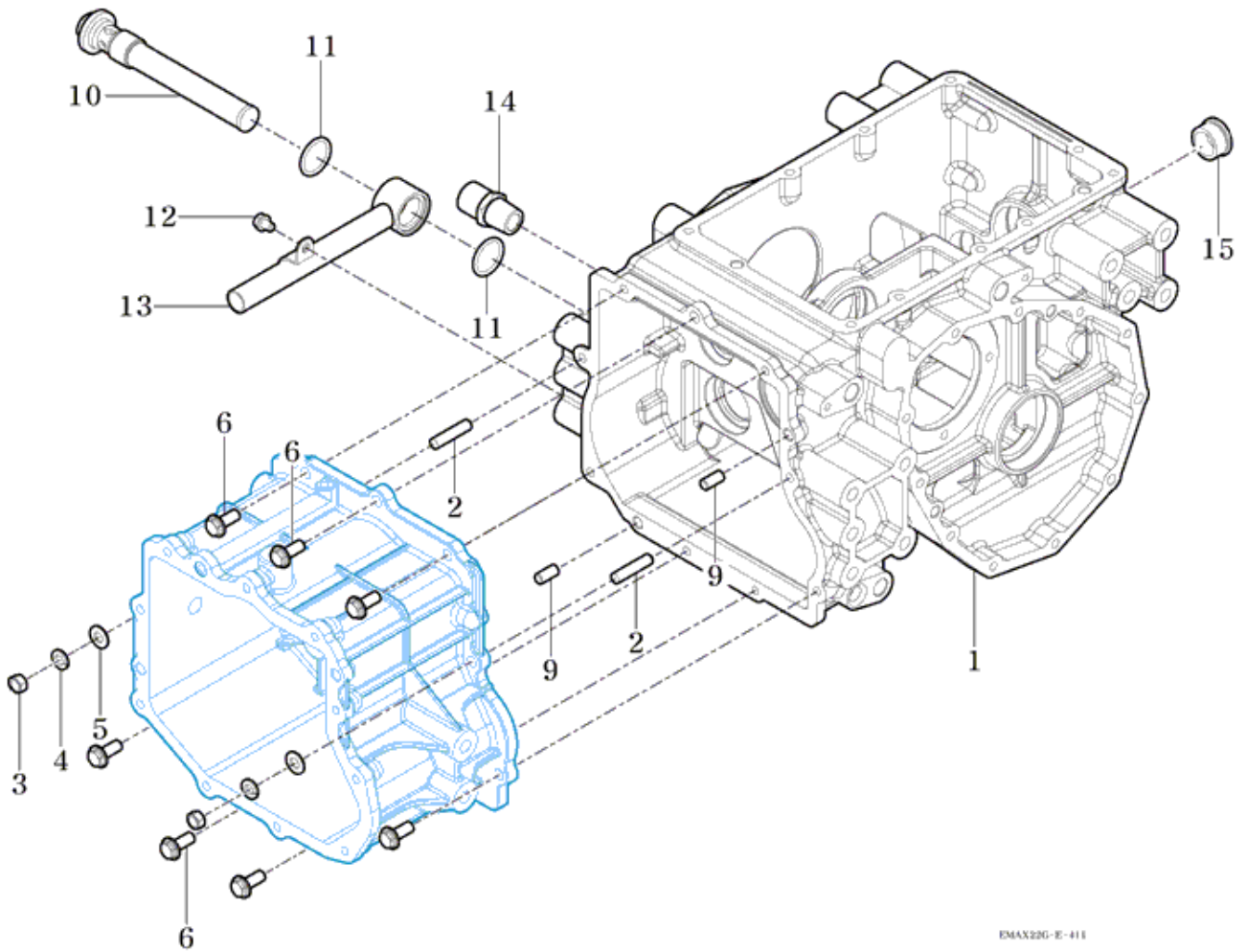
FIG

TS25NCEU

REAR TRANSMISSION CASE

년/월  
Year/Month

2020.11



NOTE



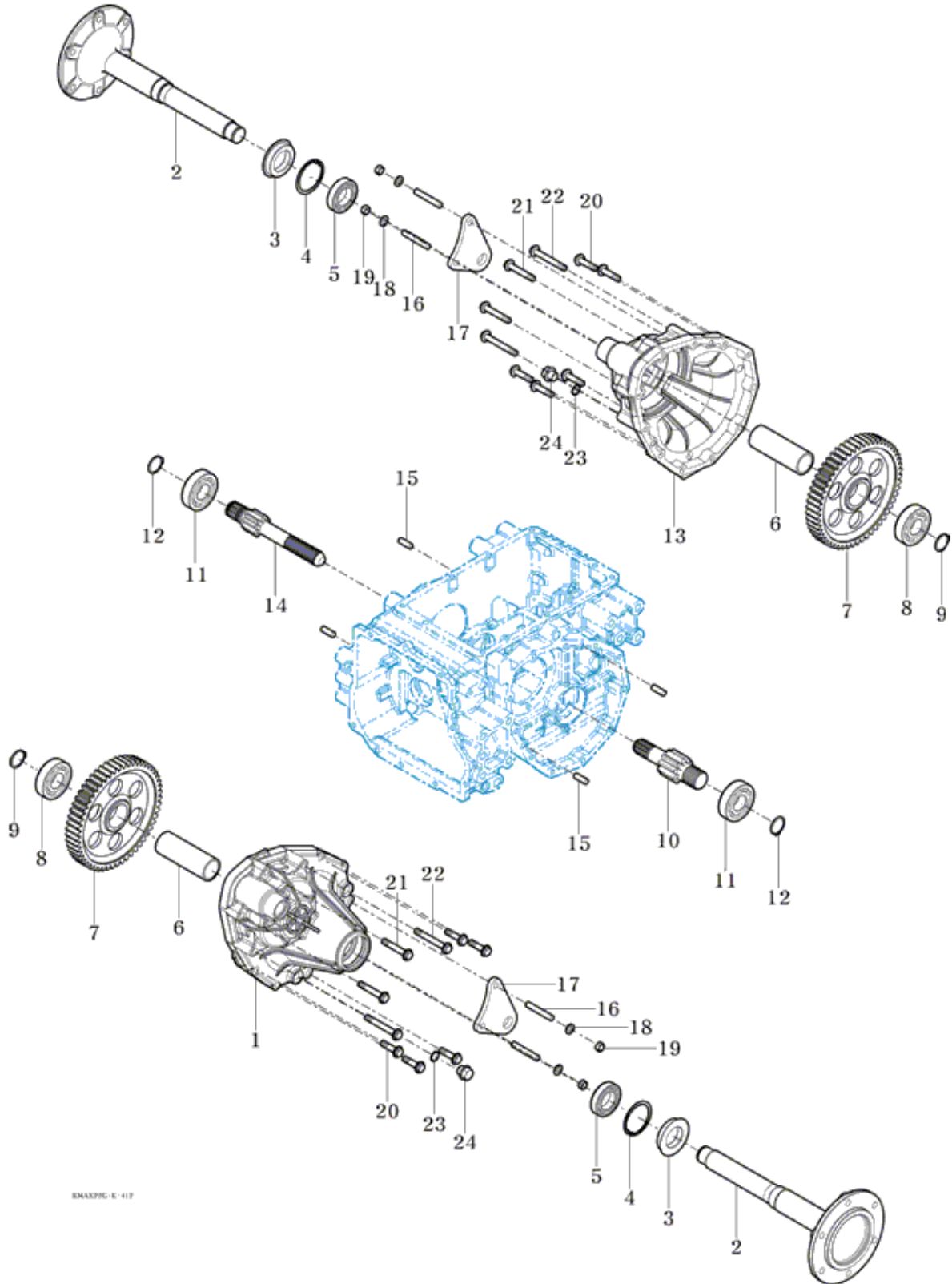
FIG

REAR AXLE HOUSING

년/월  
Year/Month

TS25NCEU

2020.11



NOTE



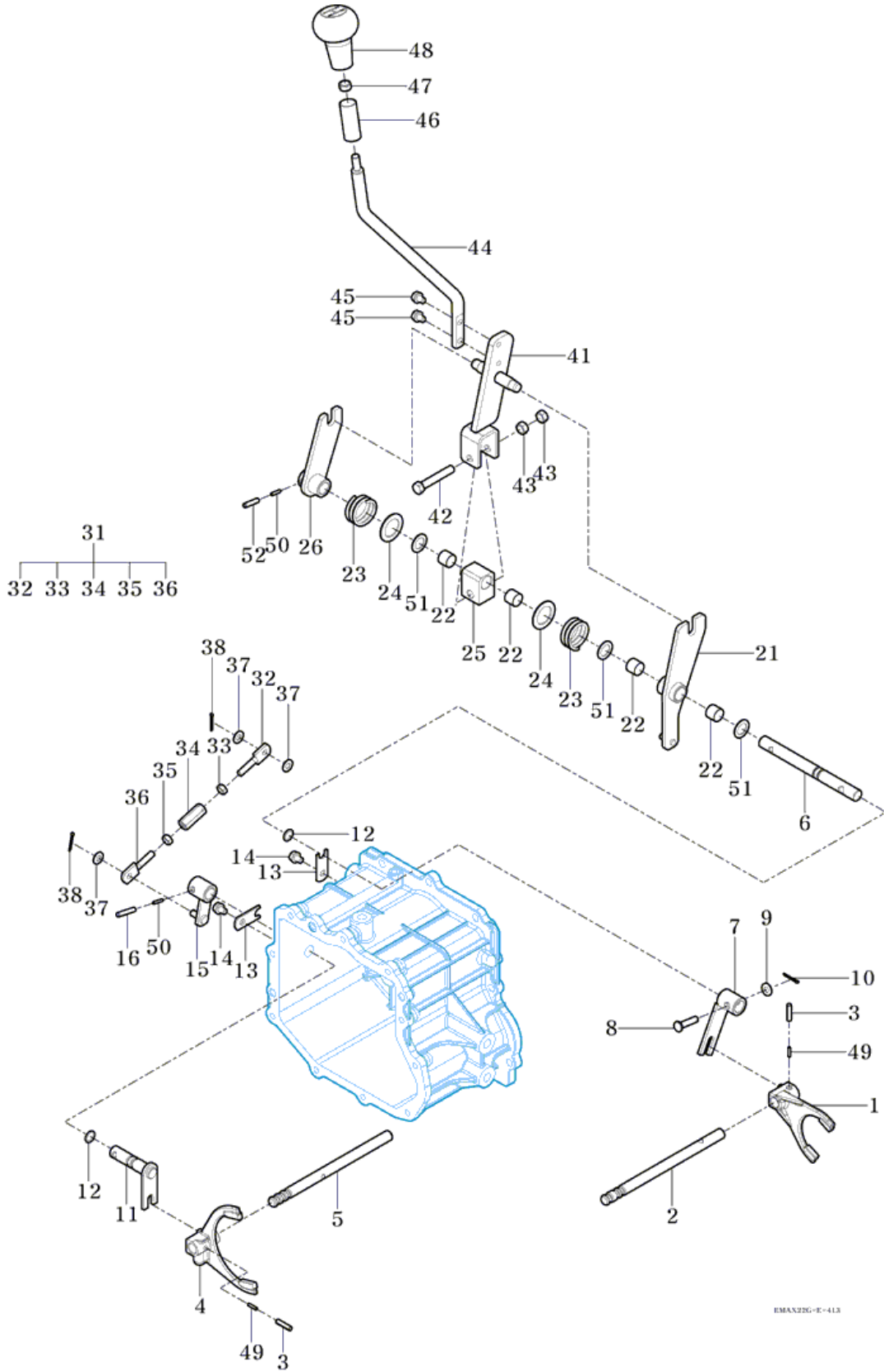
FIG

TS25NCEU

MAIN SHIFT LEVER

년/월  
Year/Month

2020.11



EMANZEG-E-413

NOTE



FIG TS25NCEU		MAIN SHIFT LEVER					년/월 Year/Month	
							2020.11	
KEY NO	PART NO	DESCRIPTION	SPEC	QTY	REPAIR	EFFECTIVE DATE	REMARKS	
001	11502350010M	FORK , MAIN 1-3		1				
002	11502350031	STAY , MAIN 1-3		1				
003	V5801406025	PIN , SPRING	6X25	2				
004	11502350020M	FORK , MAIN 2-R		1				
005	11502350041	STAY , MAIN 2-R		1				
006	11502350051	SHAFT , LEVER		1				
007	11502352100	HOOK COMP , MAIN 1-3		1				
008	11502350060	PIN , 8X29		1				
009	V4111600080	WASHER , PLAIN	M8	1				
010	V5001925020	PIN D2.5x20	2.5X20	1				
011	11502353100	HOOK COMP , MAIN 2-R		1				
012	V7201024012	O-RING , P	1A , P12	2				
013	16702230371	PLATE		2				
014	V2173608012	BOLT , HEX/S	M8X12	2				
015	11502353200	ARM COMP , MAIN 2-R		1				
016	V5801406032	PIN , SPRING	6X32	1				
021	11502353300	LINK COMP , MAIN 2-R		1				
022	15603142910	BUSH , 16X18X15		4				
023	11502350090	SPRING , HC20		2				
024	15642750070	WASHER , 27X40X2		2				
025	11502350120	HUB , MAIN		1				
026	11502352301	LINK COMP , MAIN 1-3		1				
031	11502355000	ROD ASSY , MAIN		1				
032	11502355100	LOD COMP , LH		1				
033	15601320073	NUT , HEX LH	M8 , LH	1				
034	11502355010	TURNBUCKLE , M8 L38		1				
035	V3042600080	NUT , HEX/2	M8	1				
036	11502355200	ROD COMP , RH		1				
037	V4111600080	WASHER , PLAIN	M8	3				
038	V5001925020	PIN D2.5x20	2.5X20	2				
041	11502354202	LEVER COMP , MAIN		1				
042	V2013610060	BOLT , HEX	M10X60	1				
043	V3042600100	NUT , HEX/2	M10	2				
044	11502360010GB	LEVER , MAIN		1				
045	V2173608020	BOLT , HEX/S	M8X20	2				
046	11503160030	TUBE		1				
047	V3342600100	NUT , HEX FINE/2	M10	1				
048	11502442400	GRIP COMP , MAIN SHIFTER		1				
049	11502350140	PIN , SPRING		2				
050	11502350150	PIN , SPRING		2				
051	11502350110	WASHER		3				
052	V5801406032	PIN , SPRING	6X32	1				
NOTE								

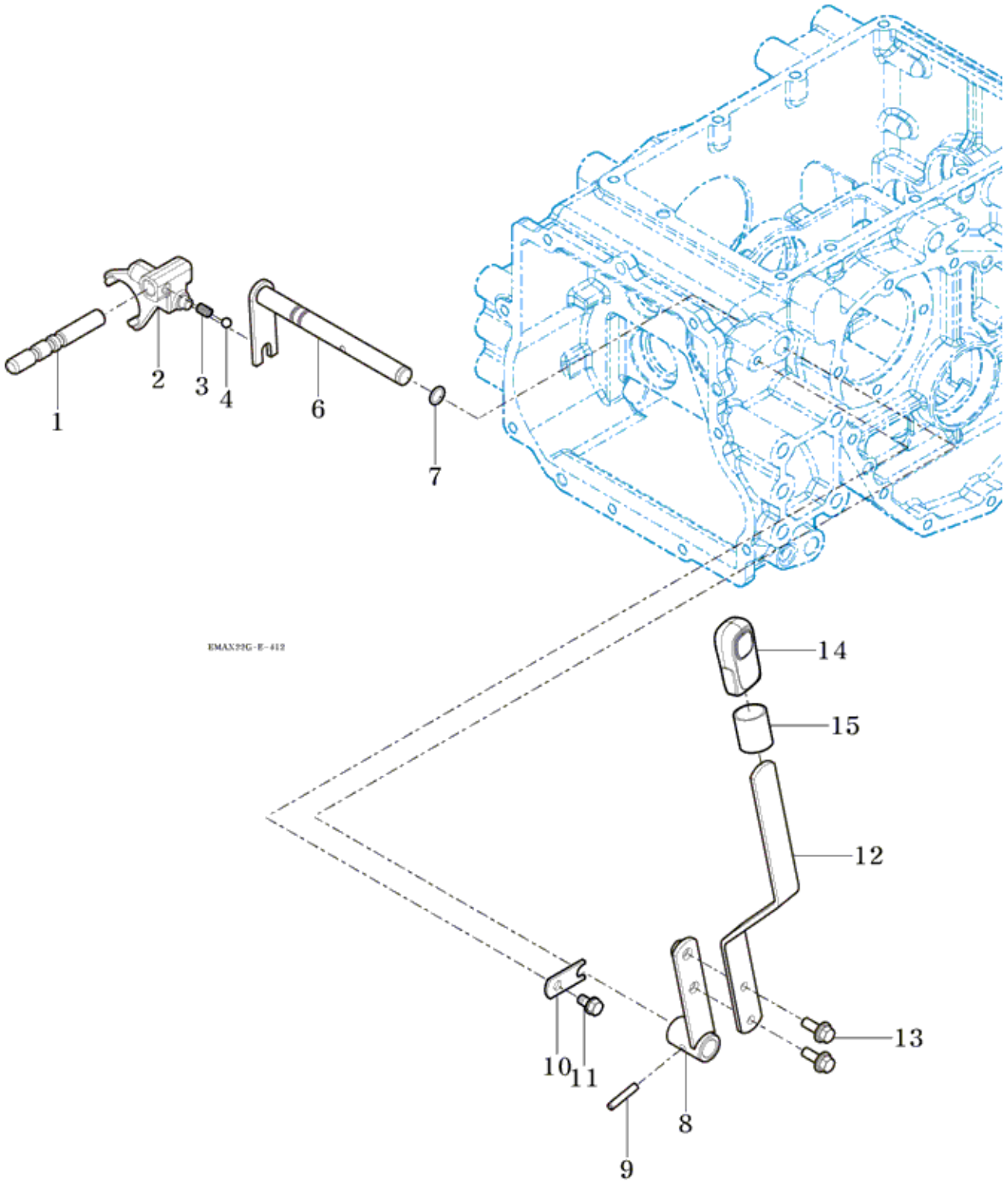
FIG

RANGE SHIFT LEVER

년/월  
Year/Month

TS25NCEU

2020.11



NOTE



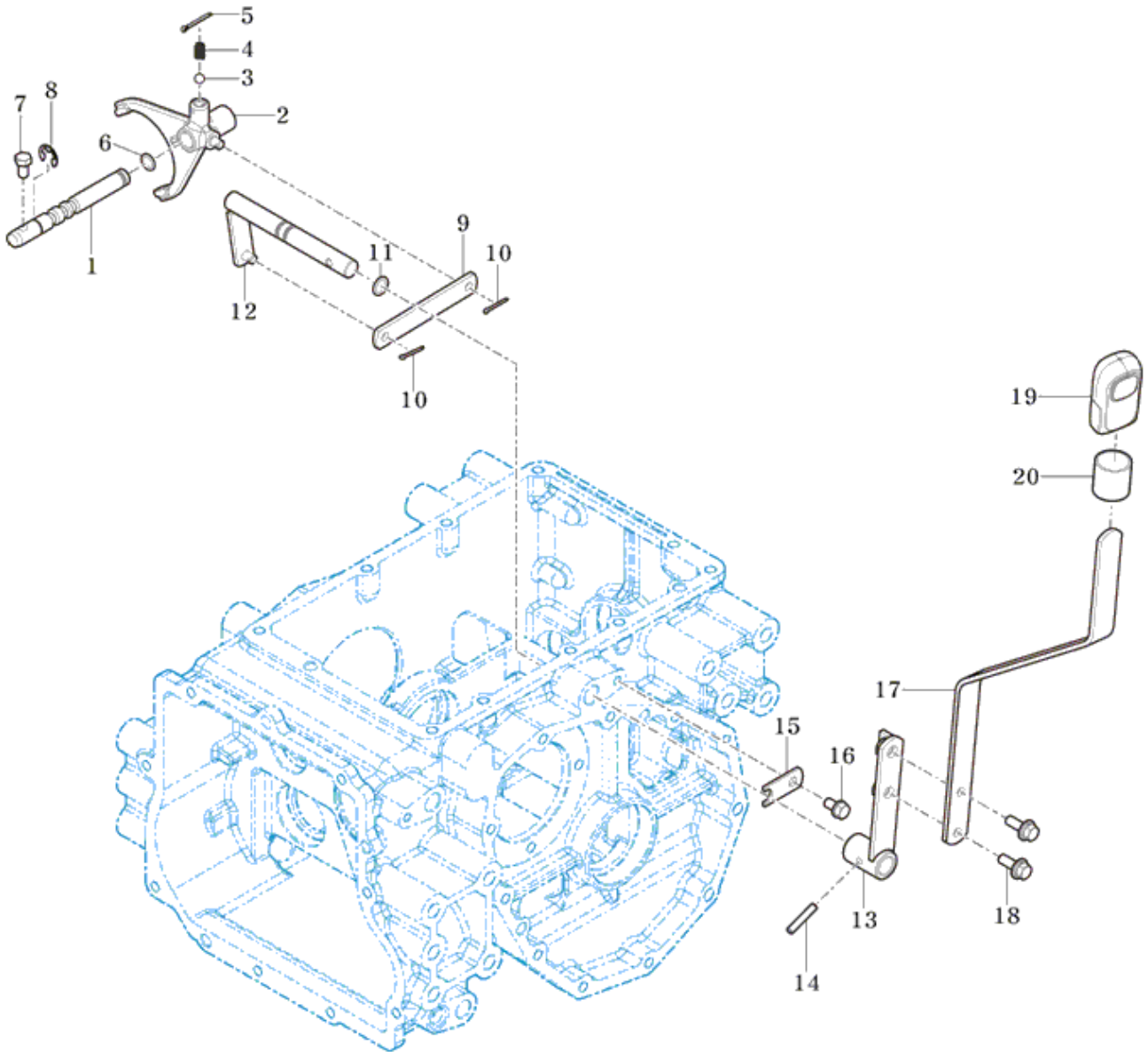
FIG

P.T.O CHANGE LEVER

년/월  
Year/Month

TS25NCEU

2020.11



NOTE



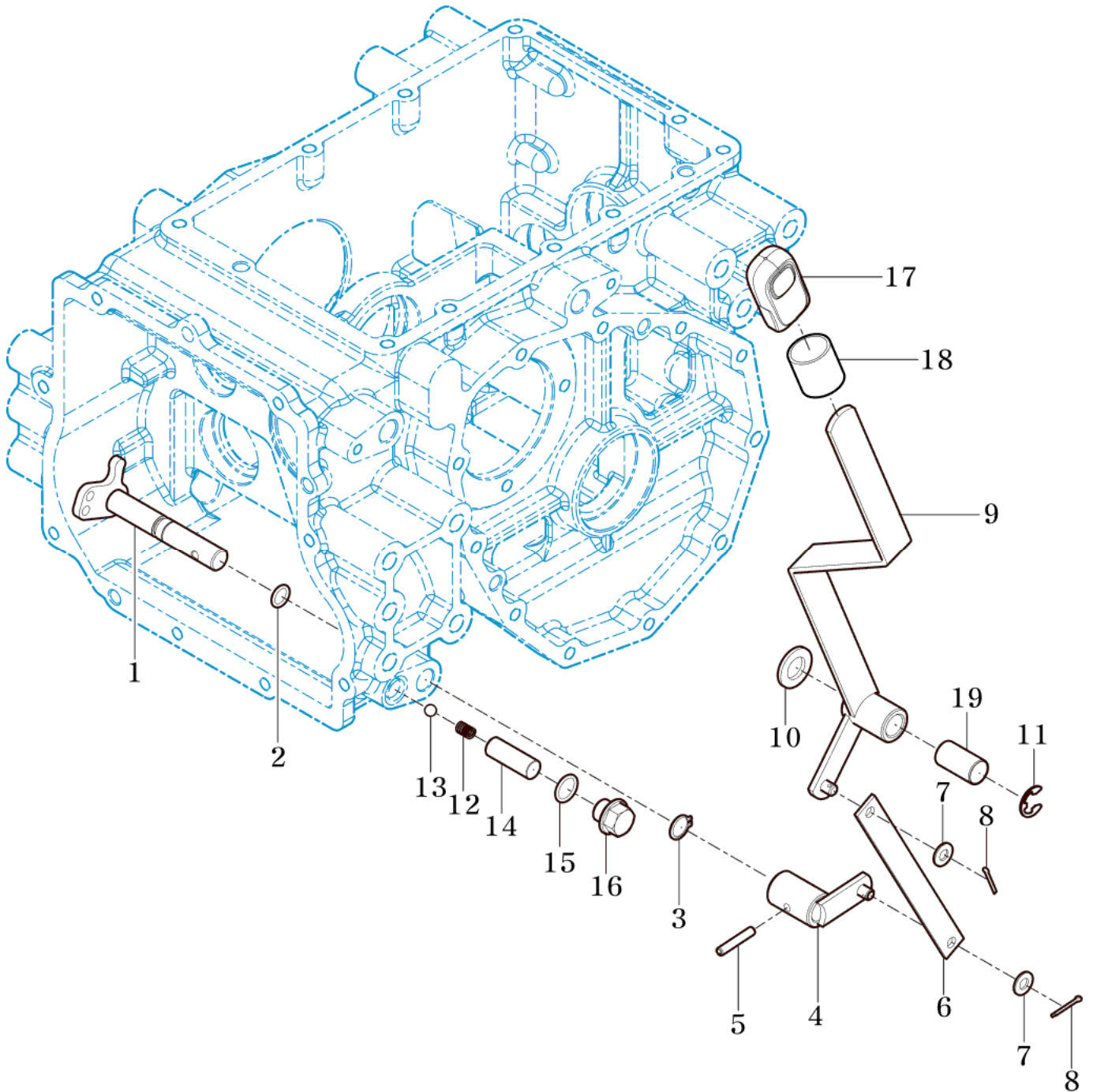
FIG

4WD CHANGE LEVER

년/월  
Year/Month

TS25NCEU

2020.11



NOTE



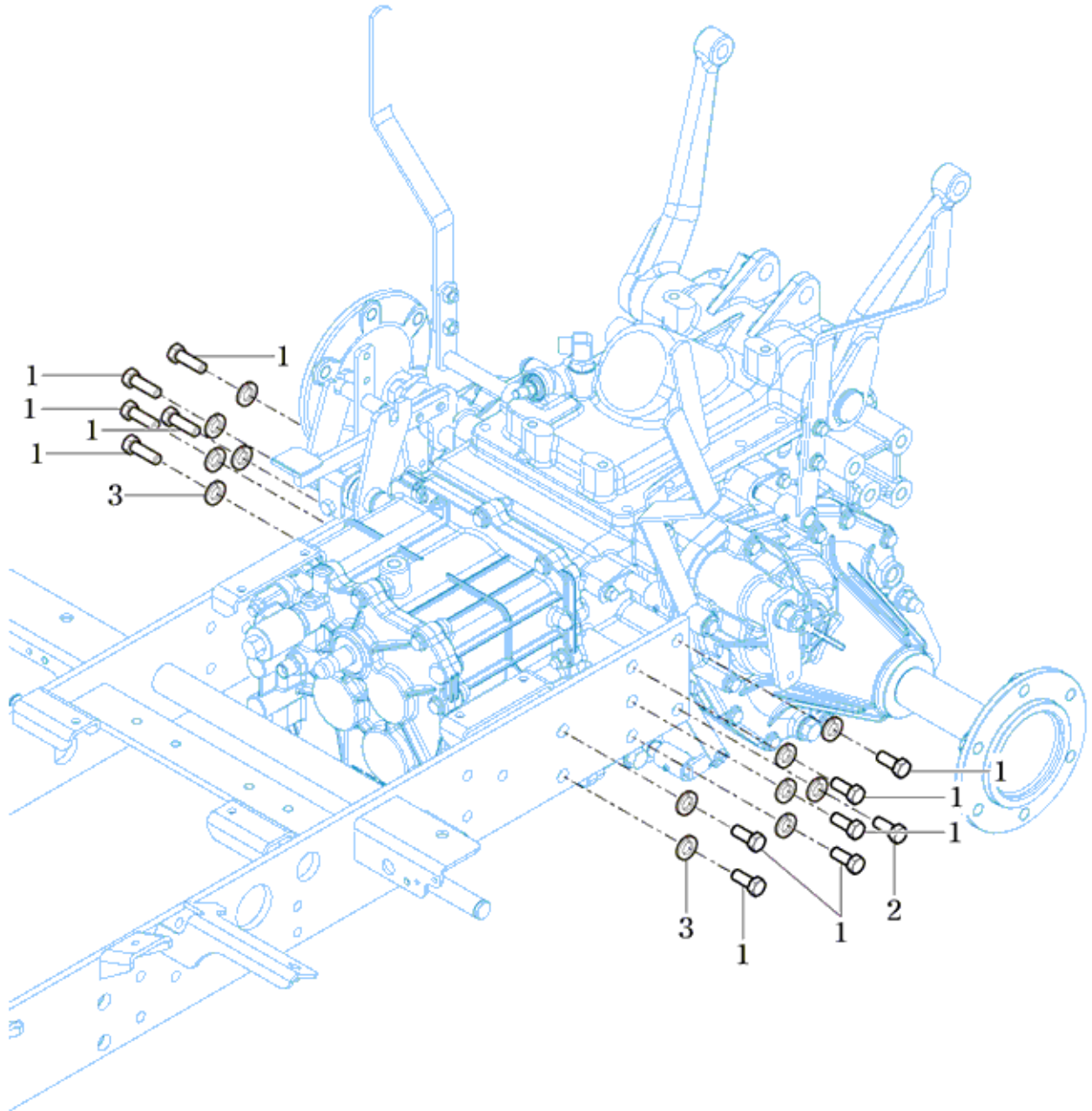
FIG

TRANSMISSION MOUNTING

년/월  
Year/Month

TS25NCEU

2020.11



EMAN2PG-E-417

NOTE





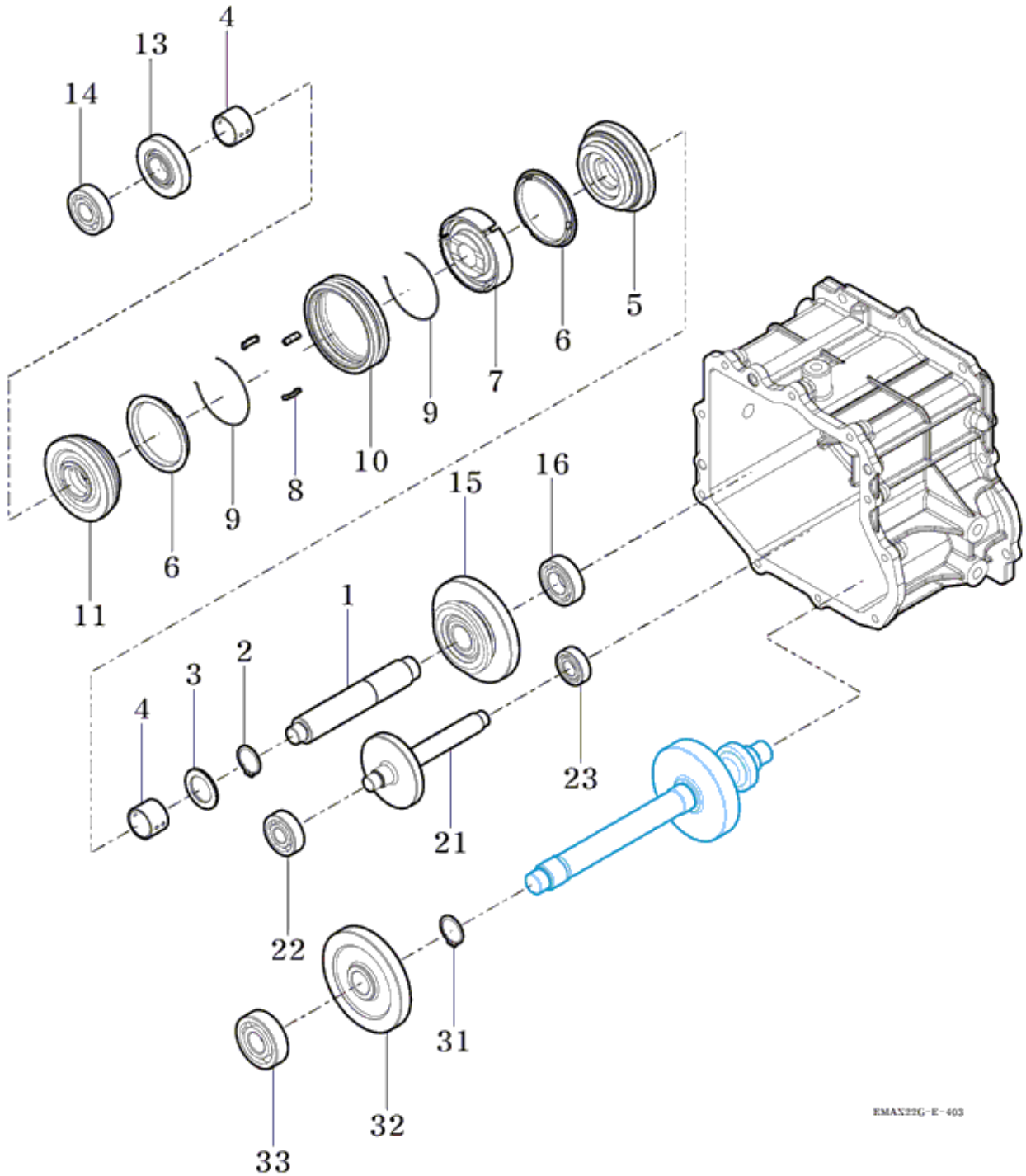
FIG

MAIN SHIFT GEAR

년/월  
Year/Month

TS25NCEU

2020.11



RMAX22G-E-403

NOTE

FIG		MAIN SHIFT GEAR						년/월 Year/Month
TS25NCEU								2020.11
KEY NO	PART NO	DESCRIPTION	SPEC	QTY	REPAIR	EFFECTIVE DATE	REMARKS	
001	11502320011	SHAFT , MAIN SHIFT		1				
002	V7041400300	C-RING , SHAFT	30	1				
003	15642160041	WASHER , 30X46X3		1				
004	14522090350	BUSH , 30X35X25.4		2				
005	11502320030	GEAR , MAIN 38T		1				
006	14522092020	SYNCHRO RING , SINGLE RING		2				
007	14522092012	HUB , SYNCHRO MAIN		1				
008	14522092162	KEY , SYNCHRO		3				
009	14522092170	SPRING , SYNCHRO		2				
010	14522092141	COUPLING , SYCRO/S		1				
011	11502330020	GEAR , REVERSE 35T		1				
013	11502340010	PINION , COUNTER 20T		1				
014	V6001106304	BEARING , BALL	6304	1				
015	11502320040	GEAR , MAIN 30-45T		1				
016	V6001106205	BEARING , BALL	6205	1				
021	11502330010	IDLE , REVERSE 31T		1				
022	V6001106303	BEARING , BALL	6303	1				
023	V6001106203	BEARING , BALL	6203	1				
031	V7041400250	C-RING , SHAFT	25	1				
032	11502340020	GEAR , COUNTER 31T		1				
033	V6001106304	BEARING , BALL	6304	1				
NOTE								

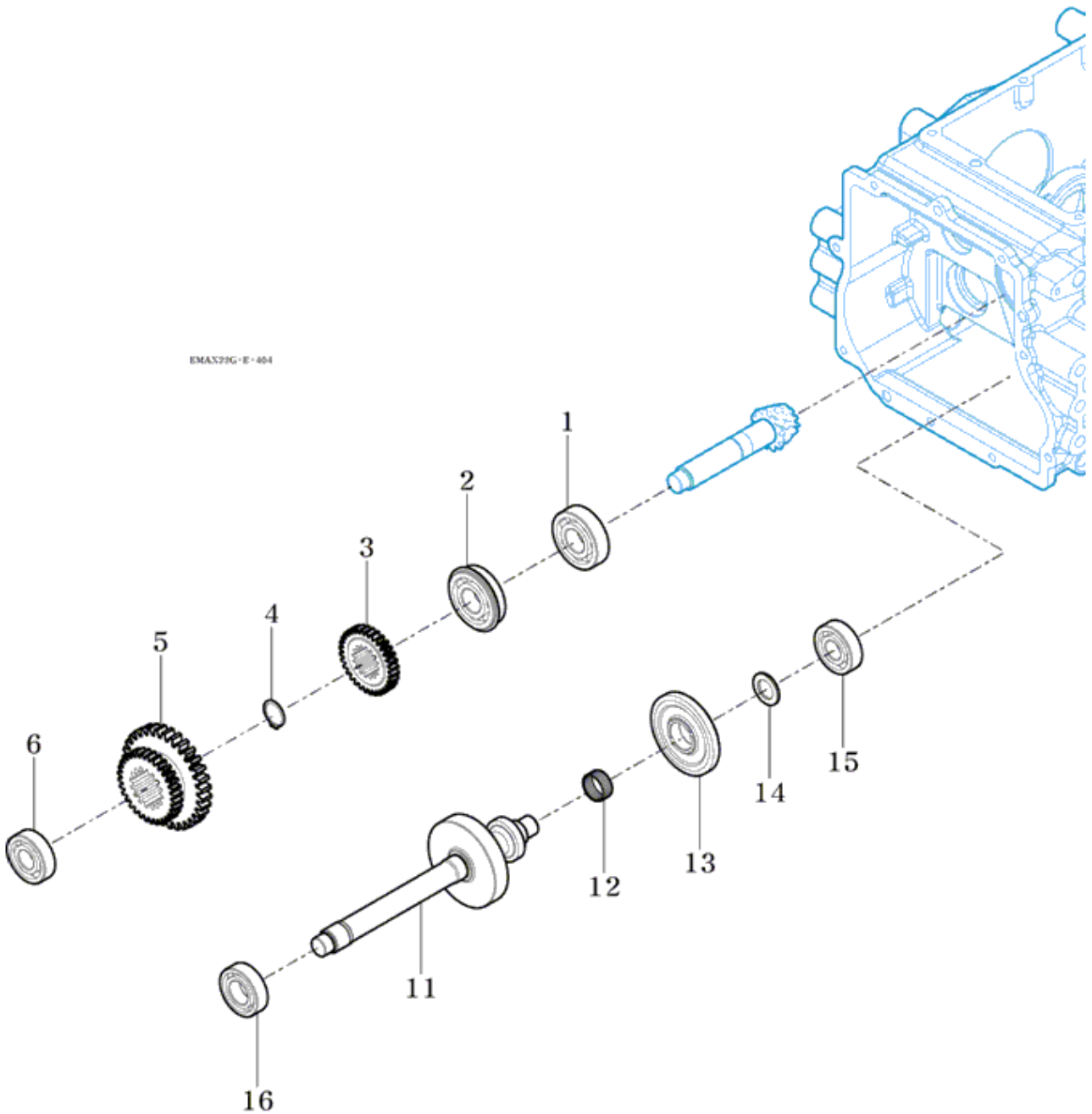
FIG

TS25NCEU

RANGE GEAR

년/월  
Year/Month

2020.11



NOTE



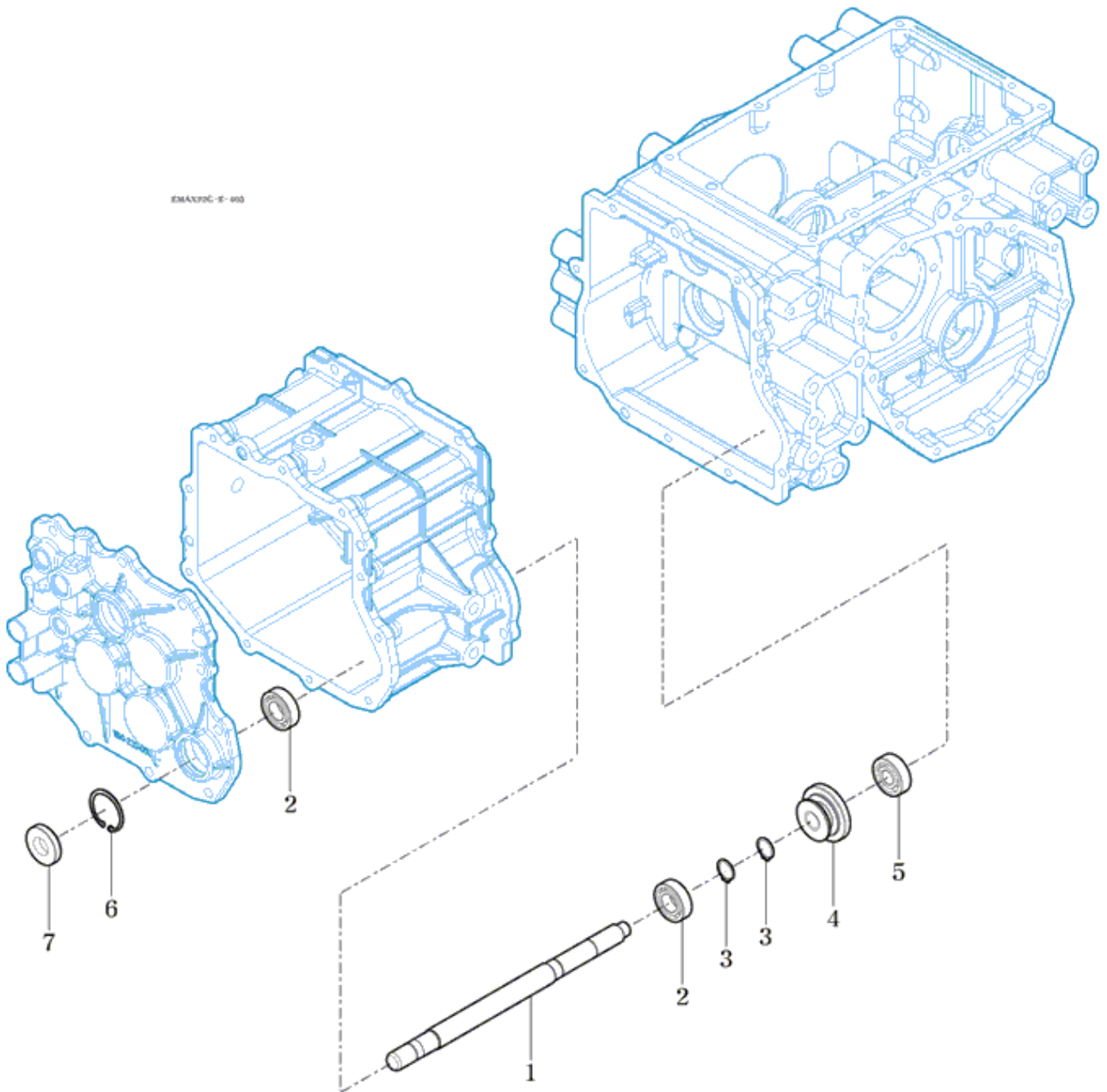
FIG

4WD DRIVE GEAR

년/월  
Year/Month

TS25NCEU

2020.11



NOTE



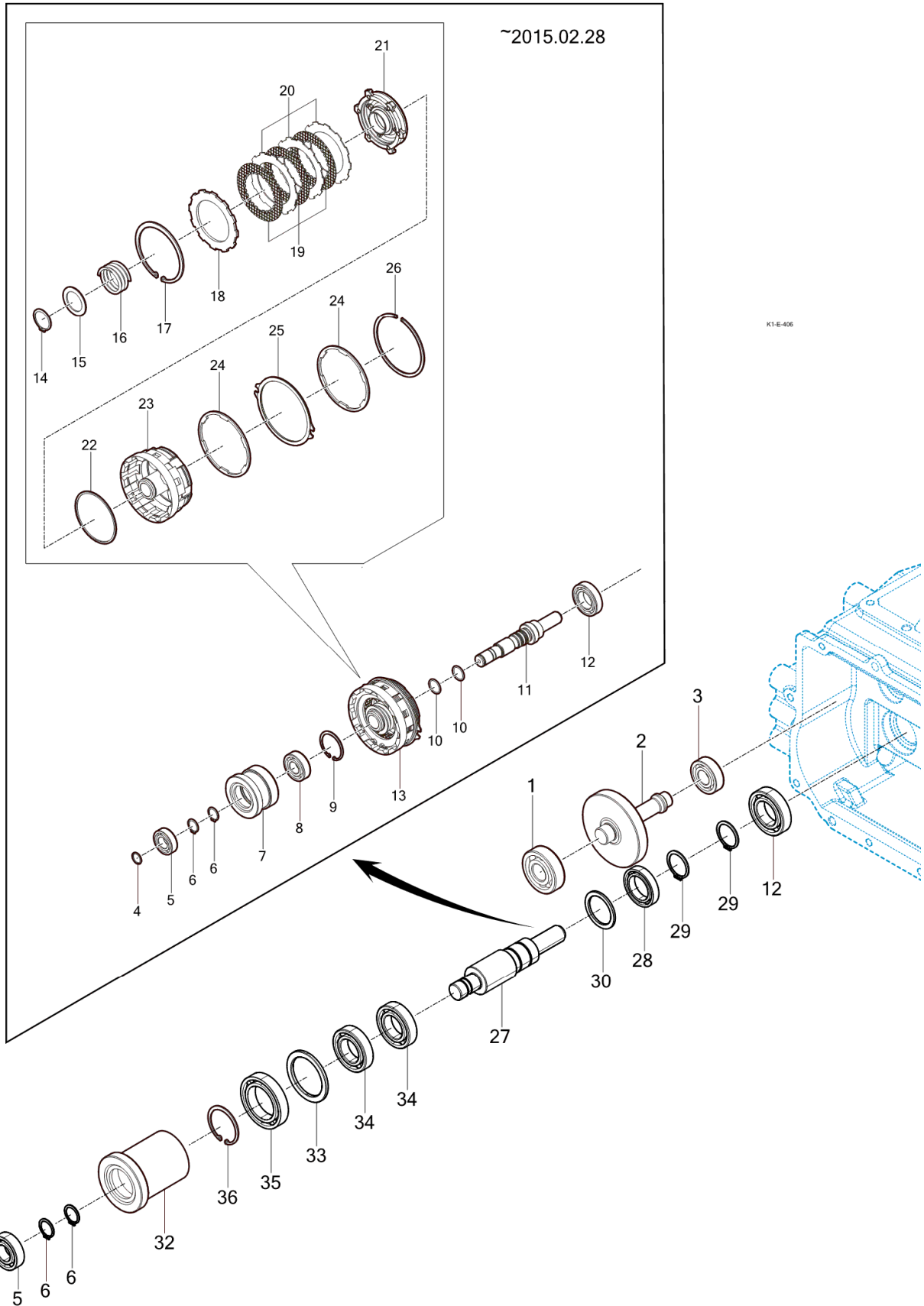
FIG

TS25NCEU

P.T.O DRIVE SHAFT

년/월  
Year/Month

2020.11



NOTE



<b>FIG</b>  TS25NCEU	<b>P.T.O DRIVE SHAFT</b>						년/월 Year/Month
	2020.11						

KEY NO	PART NO	DESCRIPTION	SPEC	QTY	REPAIR	EFFECTIVE DATE	REMARKS
001	V6001106304	BEARING , BALL	6304	1			
002	11102511010	IDLE , PTO 33T		1			
003	V6001106203	BEARING , BALL	6203	1			
005	V6001106004	BEARING , BALL	6004	1			
006	V7041400200	C-RING , SHAFT	20	2			
012	V6001106006	BEARING , BALL	6006	1			
027	11502522010	SHAFT , ONEWAY CLUTCH		1			
028	V6001106906	BEARING , BALL		1			
029	V7041400300	C-RING , SHAFT	30	2			
030	11502522120	COLLAR , 35X46X3		1			
032	11502522110	HUB , ONEWAY CLUTCH		1			
033	11502522120	COLLAR , 35X46X3		1			
034	11502522130	BEARING , ONEWAY HF3520B		2			
035	V6001106204	BEARING , BALL	6204	1			
036	V7051400470	C-RING , HOLE	47	1			

NOTE

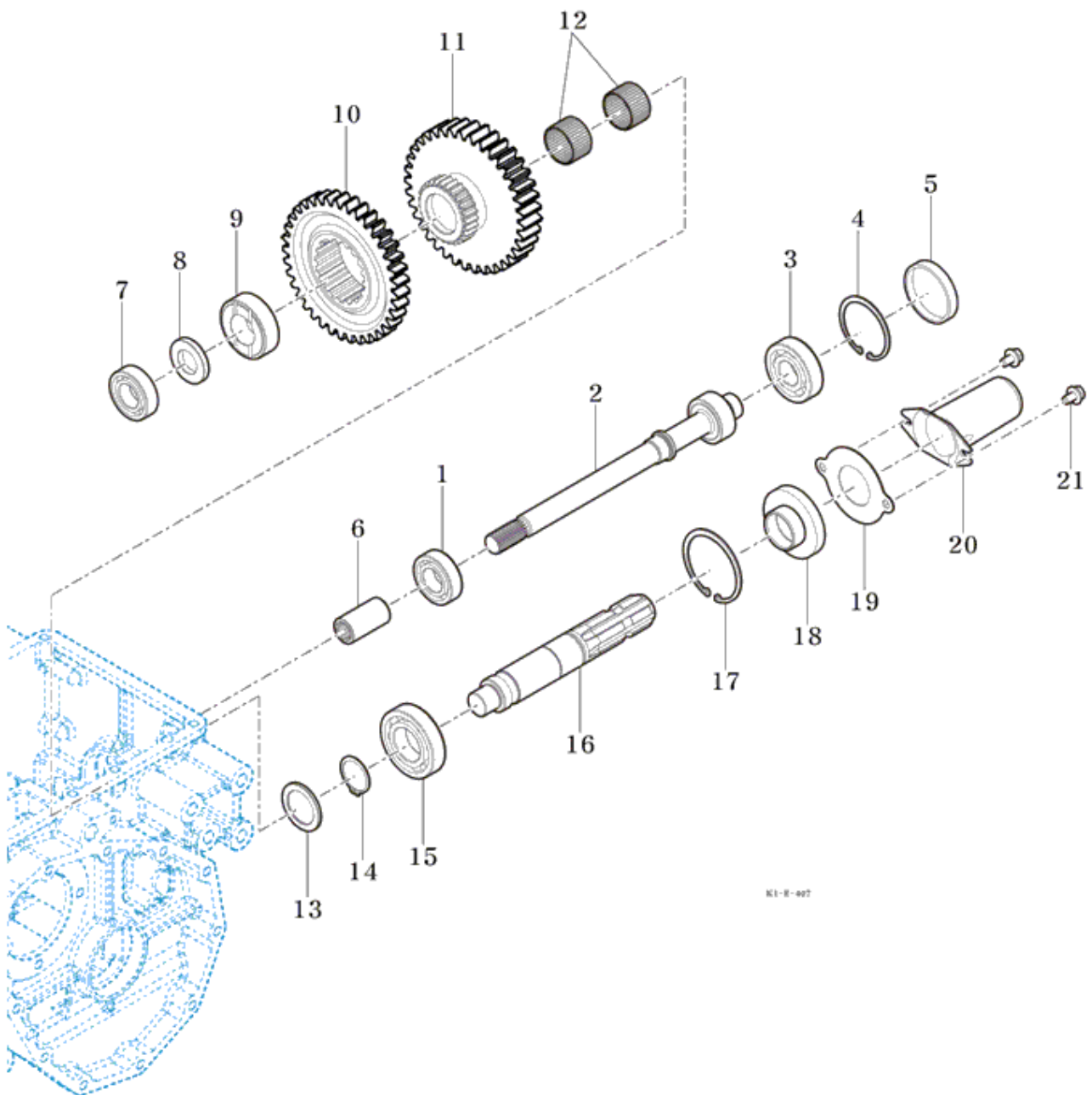
FIG

TS25NCEU

P.T.O SHAFT

년/월  
Year/Month

2020.11



NOTE



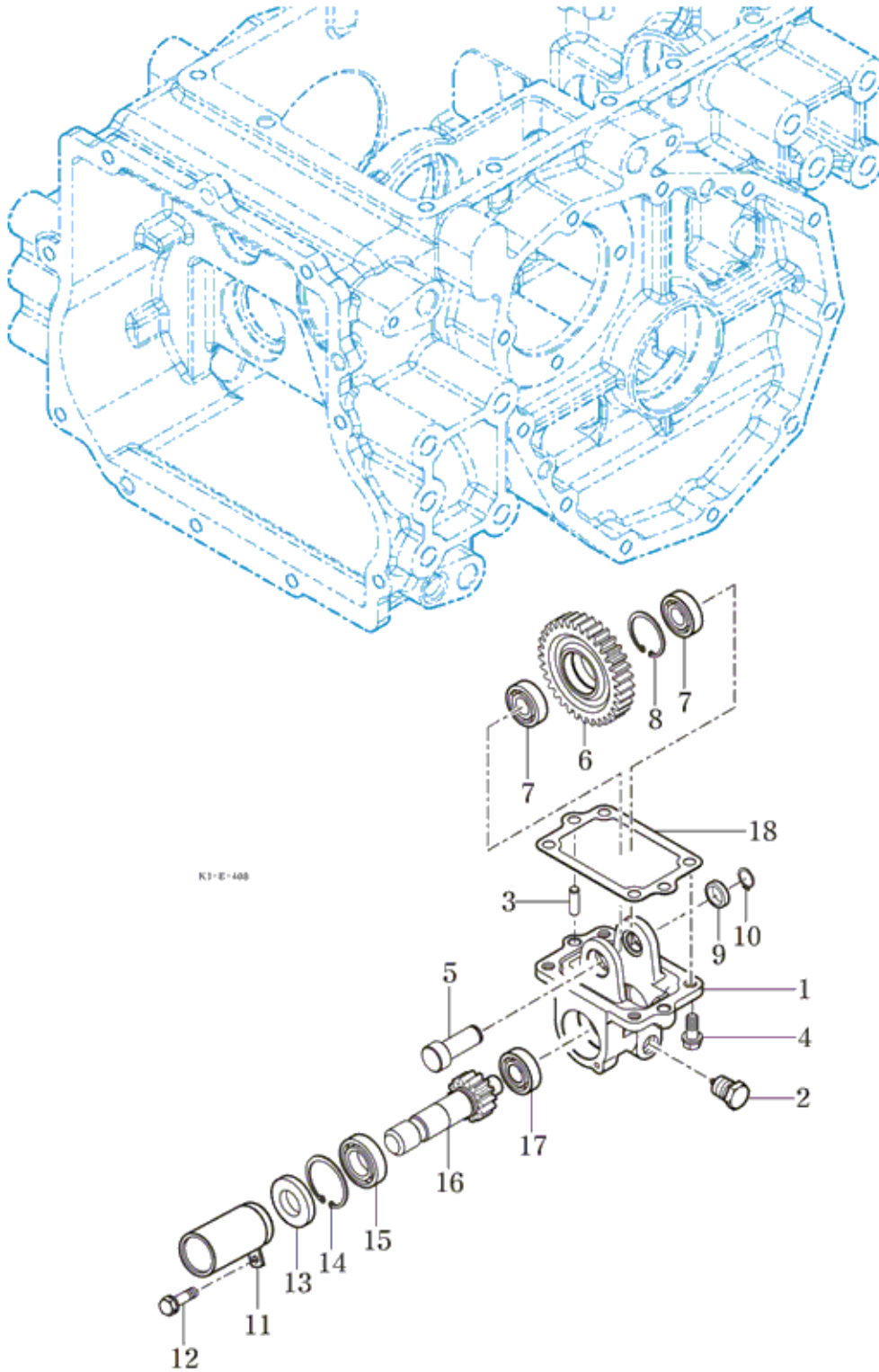
FIG

MID P.T.O GEAR

년/월  
Year/Month

TS25NCEU

2020.11



NOTE



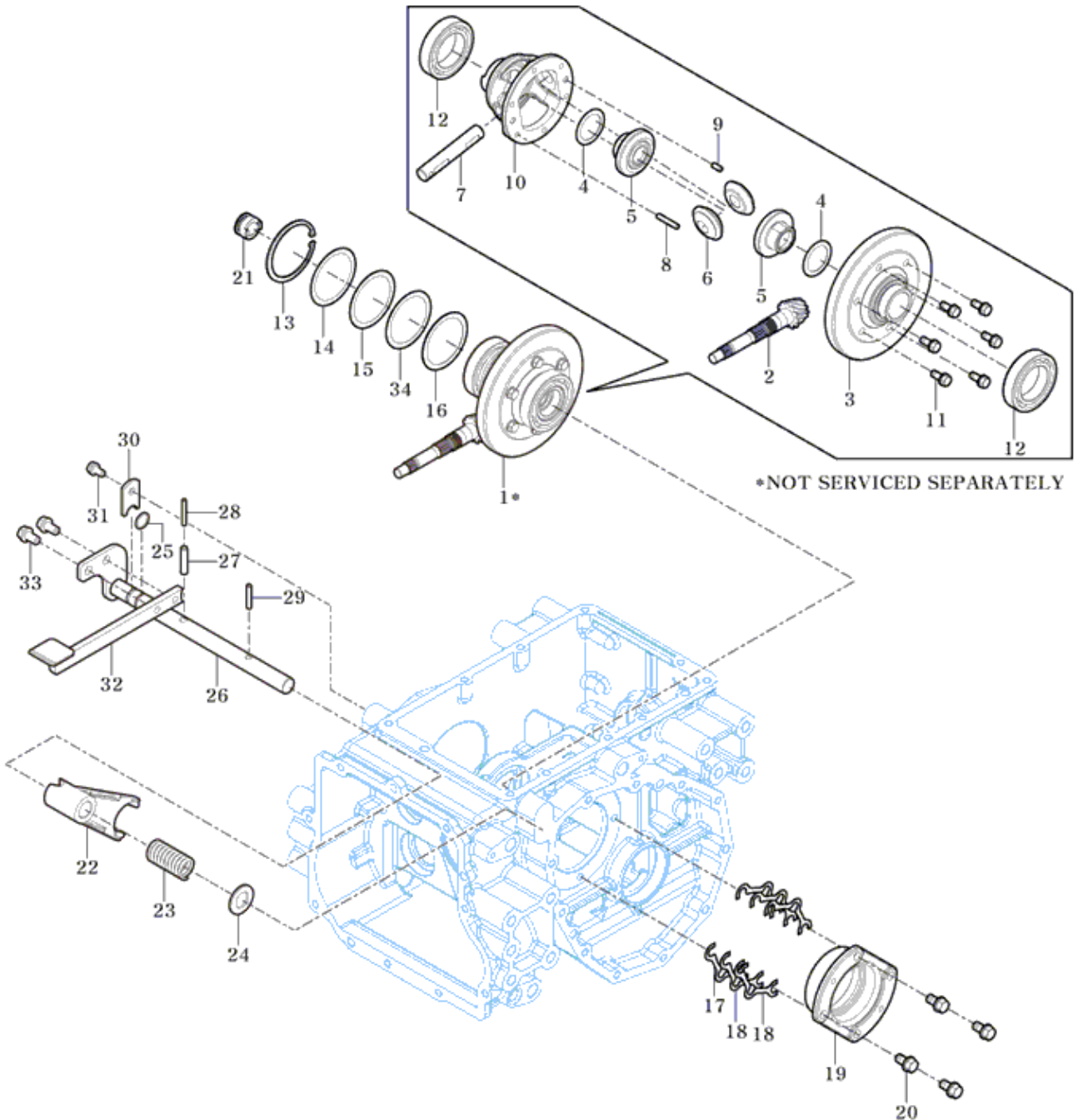
FIG

DIFF LOCK

년/월  
Year/Month

TS25NCEU

2020.11



NOTE



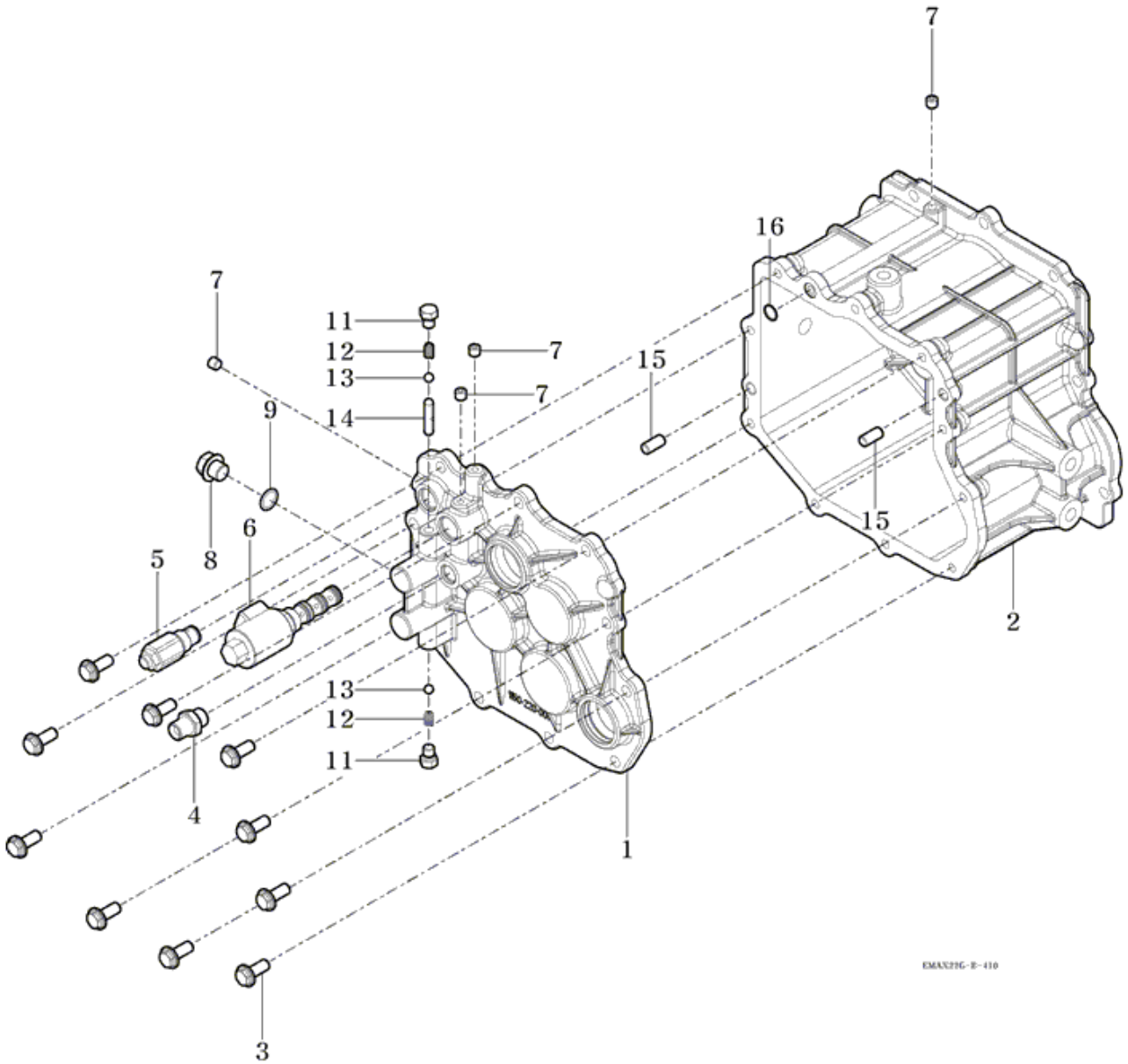
FIG

TS25NCEU

MID TRANSMISSION CASE

년/월  
Year/Month

2020.11



NOTE





## 5. Front Axle PART NO. T5

FIG FRONT DRIVE SHAFT	131
FIG FRONT DIFFERENTIAL GEAR	133
FIG FRONT AXLE HOUSING	135
FIG FRONT GEAR CASE (1)	137
FIG FRONT GEAR CASE (2)	139

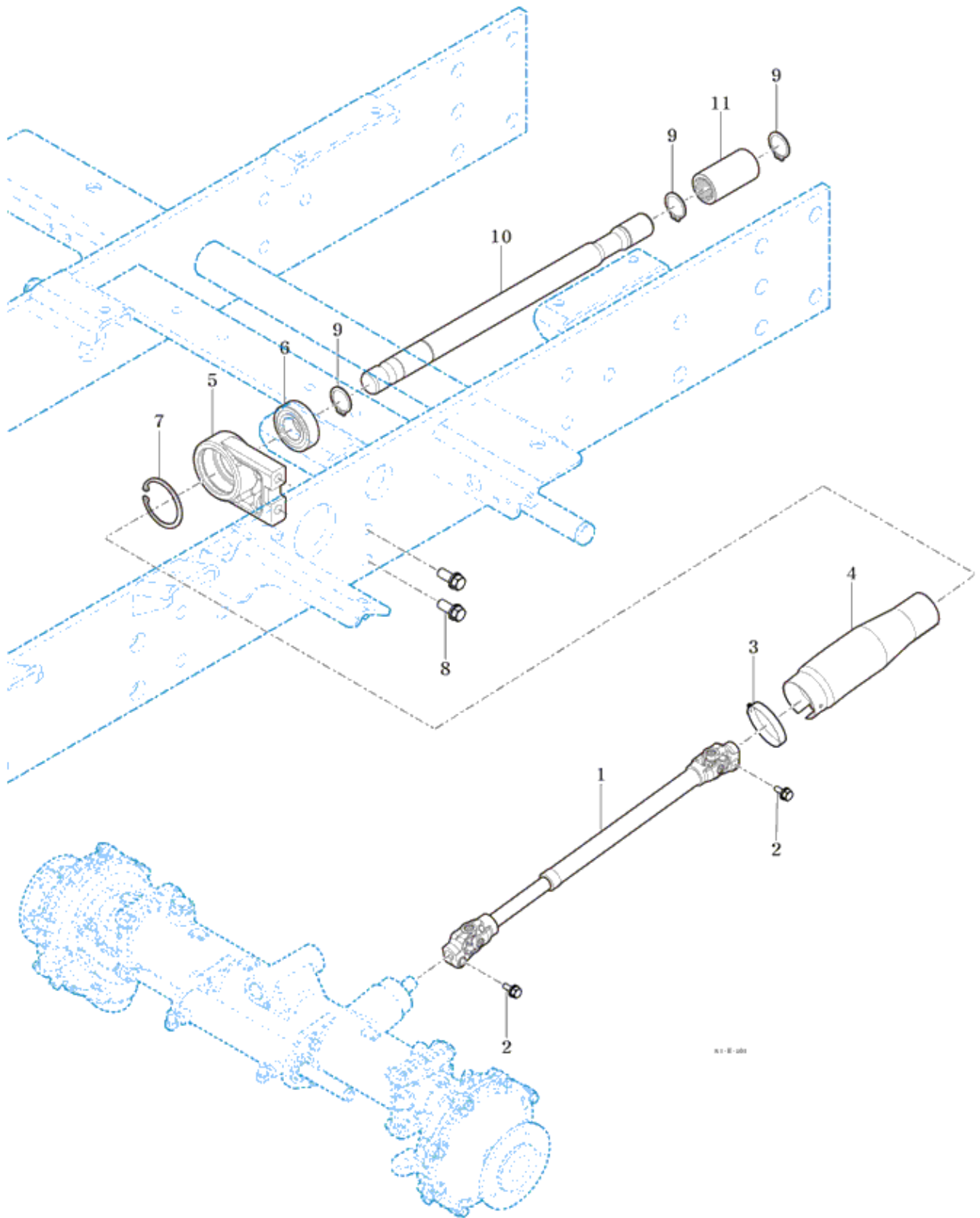
FIG

FRONT DRIVE SHAFT

년/월  
Year/Month

TS25NCEU

2020.11



NOTE



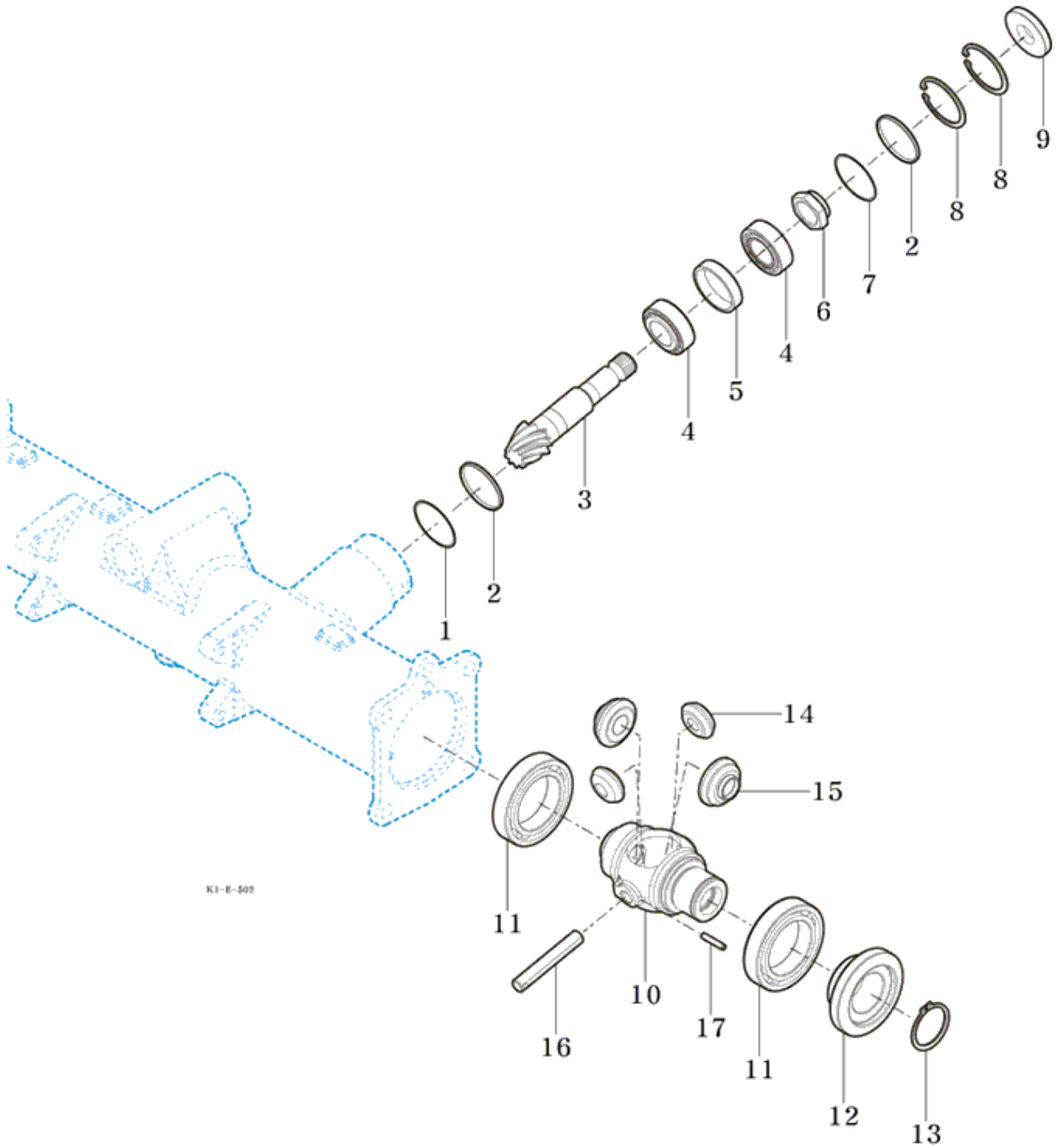
FIG

TS25NCEU

FRONT DIFFERENTIAL GEAR

년/월  
Year/Month

2020.11



K1-B-502

NOTE



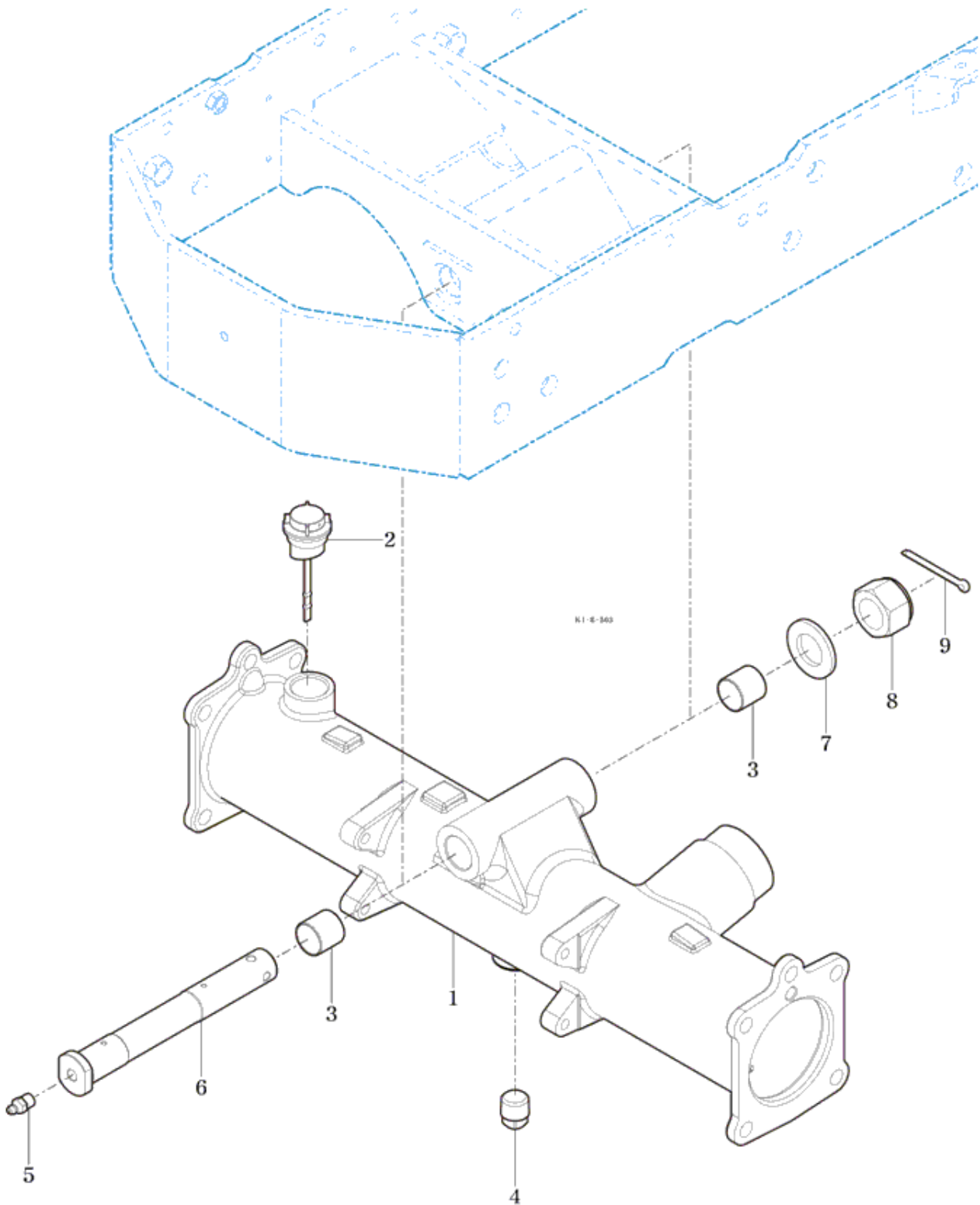
FIG

FRONT AXLE HOUSING

년/월  
Year/Month

TS25NCEU

2020.11



NOTE

FIG TS25NCEU		FRONT AXLE HOUSING					년/월 Year/Month	
							2020.11	
KEY NO	PART NO	DESCRIPTION	SPEC	QTY	REPAIR	REMARKS		
001	11104120010M	AXLE HOUSING , FRONT		1				
002	11104125100	CAP ASSY , OIL		1				
003	11104120030	BUSH , 24X27X25		2				
004	V7811600008	PLUG , SQUARE	R1/2	1				
005	V7611500000	NIPPLE , GREASE/A-PT		1				
006	11104072111	PIN		1				
007	V4111600240	WASHER , PLAIN		1				
008	11104072120	NYLON NUT , M24XP2.0		1				
009	V5001950050	PIN , SPLIT		1				
NOTE								



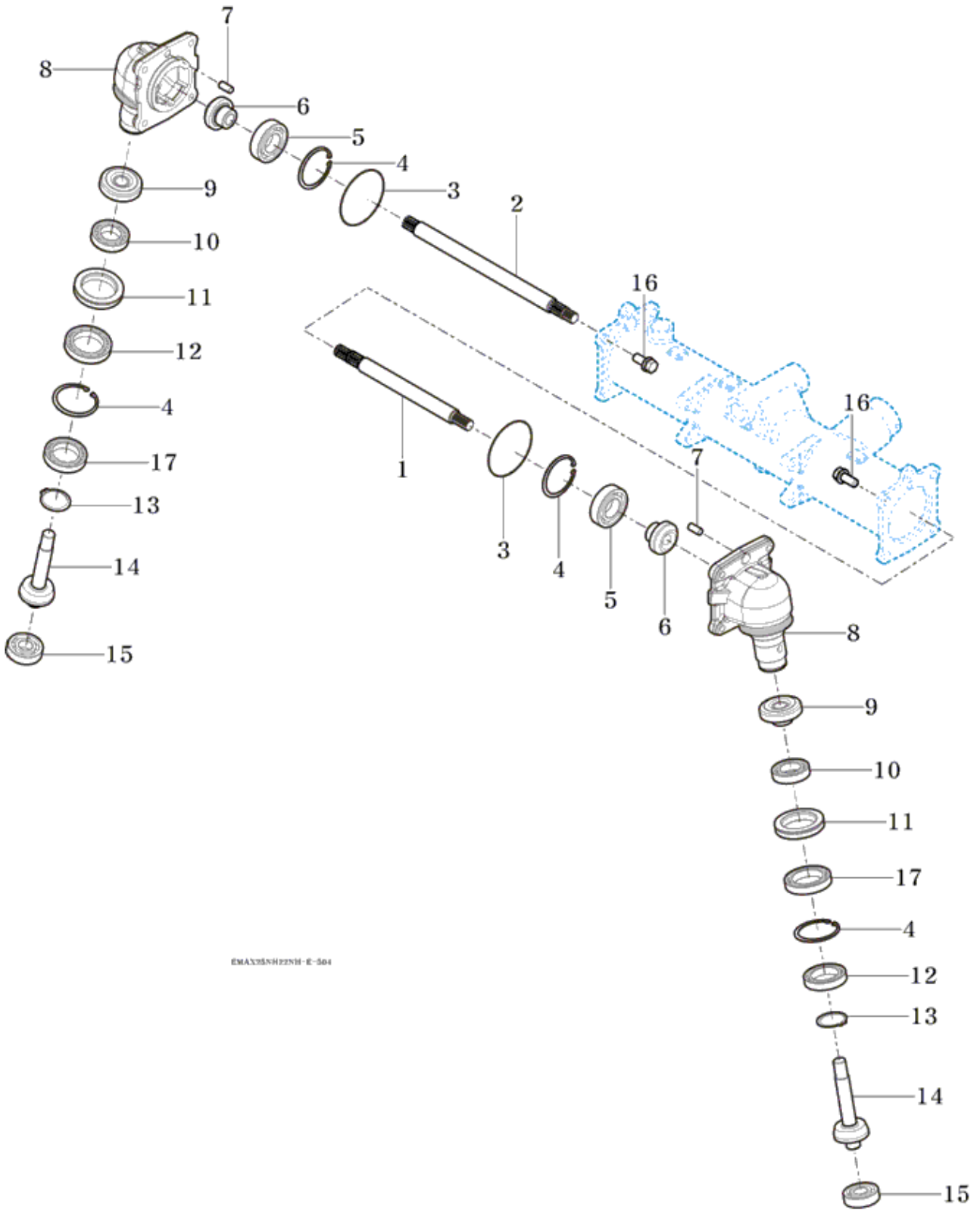
FIG

TS25NCEU

FRONT GEAR CASE (1)

년/월  
Year/Month

2020.11



NOTE



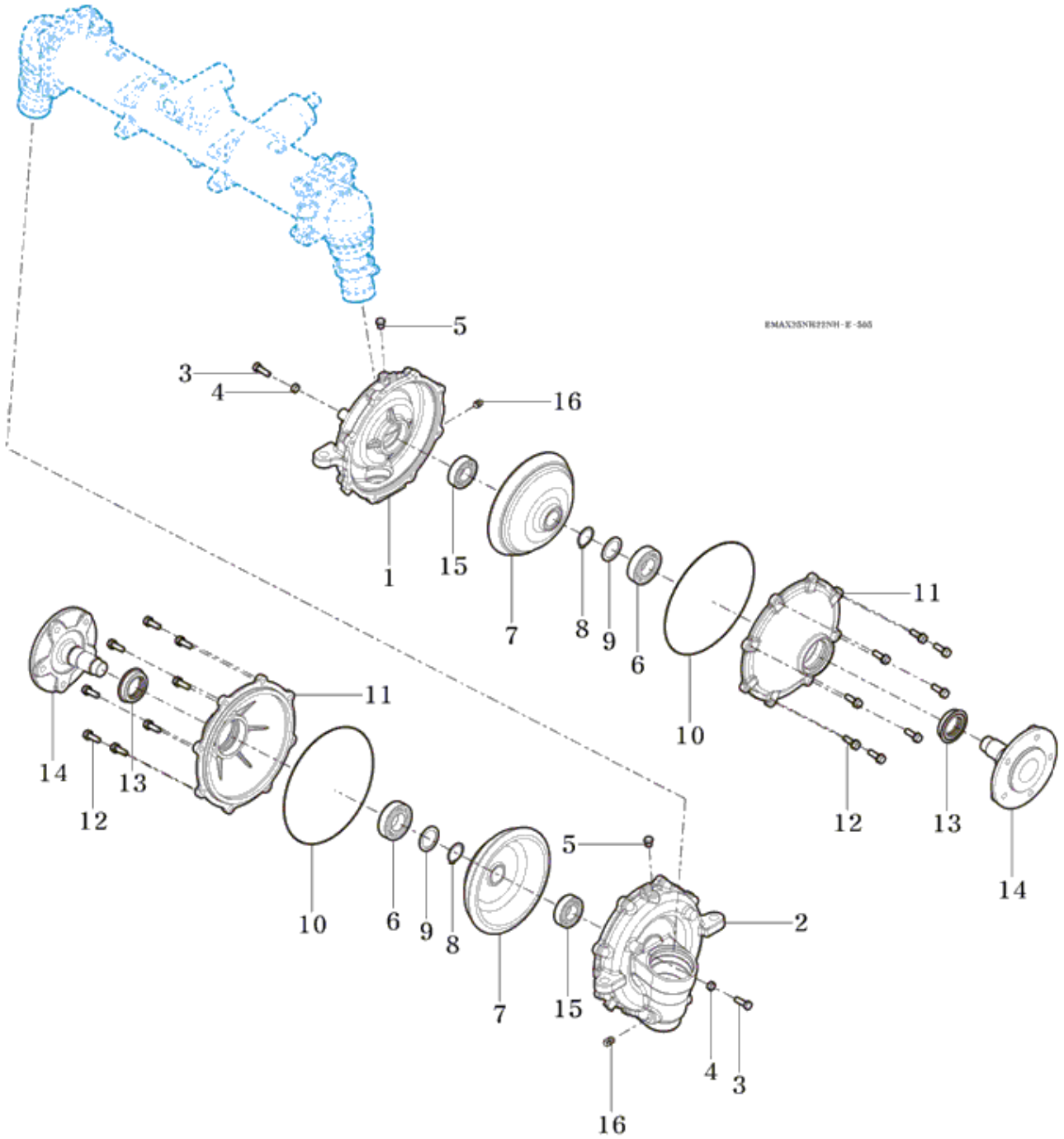
FIG

FRONT GEAR CASE (2)

년/월  
Year/Month

TS25NCEU

2020.11



NOTE



## 6. Hydraulic/3P-Link PART NO. T6

FIG CYLINDER CASE	142
FIG LIFT ARM	144
FIG FLOW CONTROL VALVE	146
FIG MAIN CONTROL VALVE	148
FIG HYDRAULIC SUB	150
FIG HITCH & 3-POINT LINKAGE	152
FIG HITCH & COVER	154

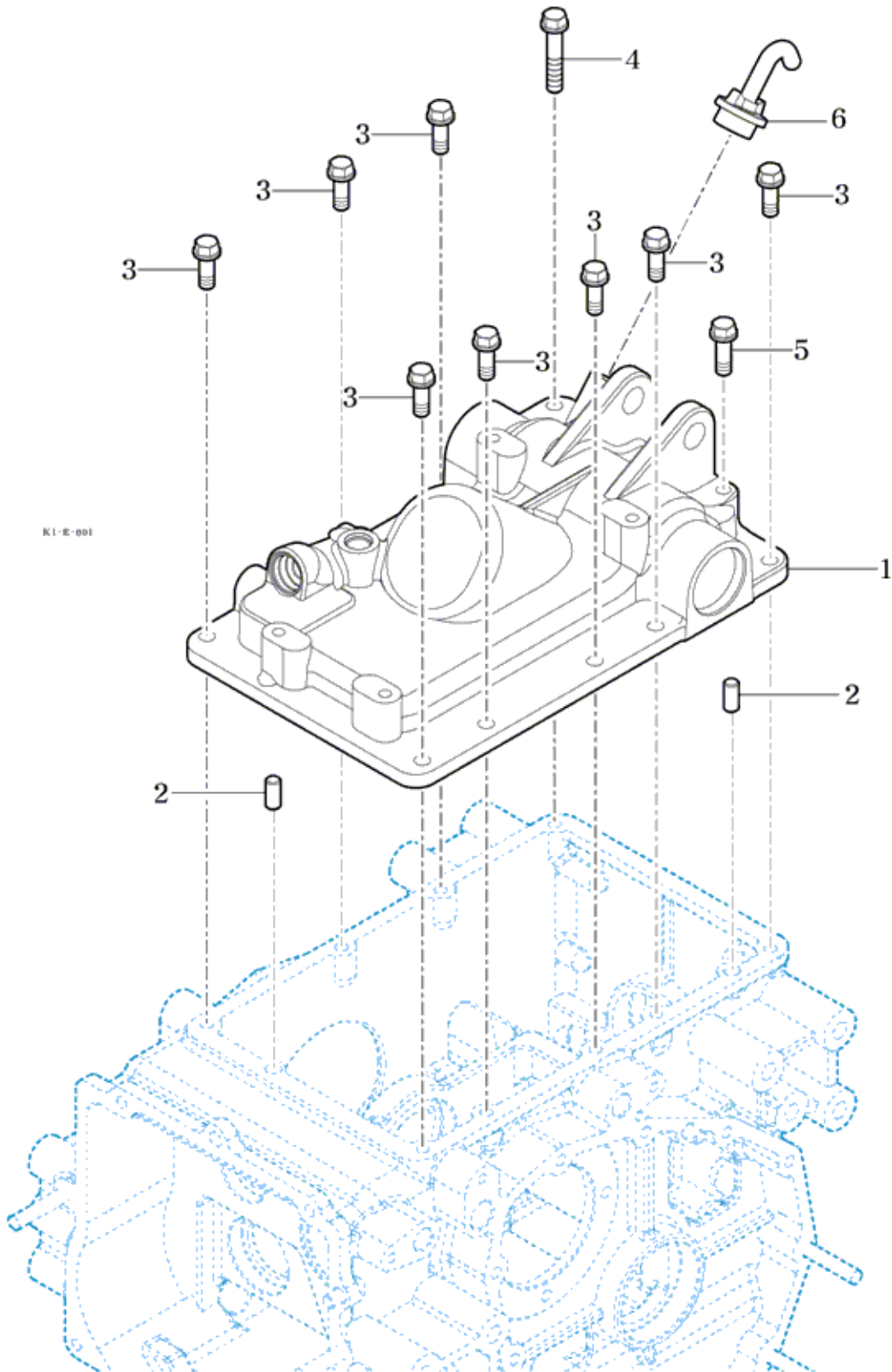
FIG

TS25NCEU

CYLINDER CASE

년/월  
Year/Month

2020.11



NOTE



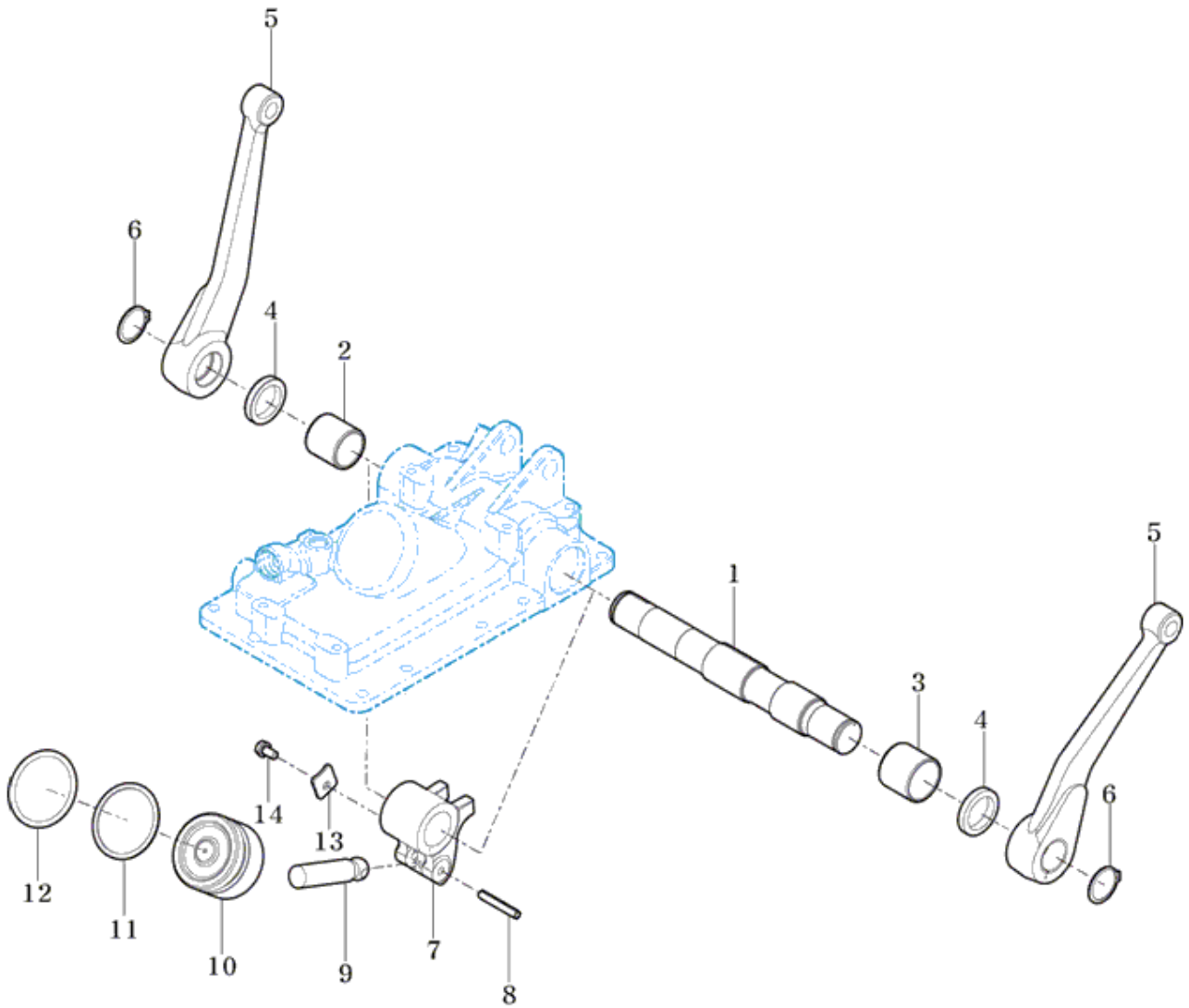
FIG

TS25NCEU

LIFT ARM

년/월  
Year/Month

2020.11



NOTE





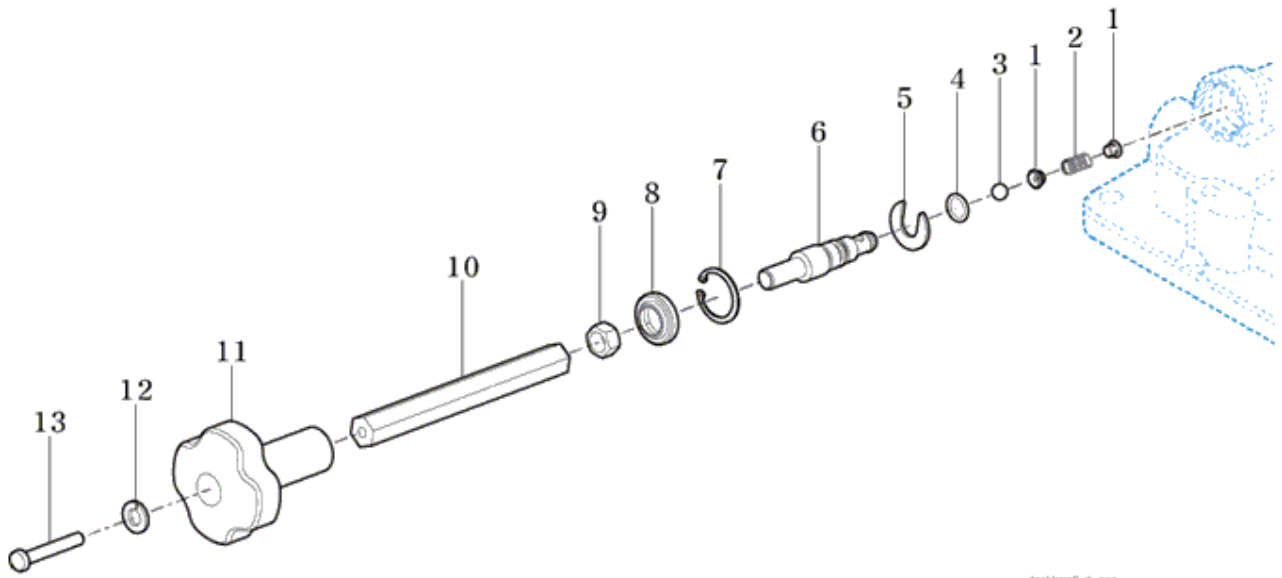
FIG

TS25NCEU

FLOW CONTROL VALVE

년/월  
Year/Month

2020.11



EMAX25G-E-603

NOTE



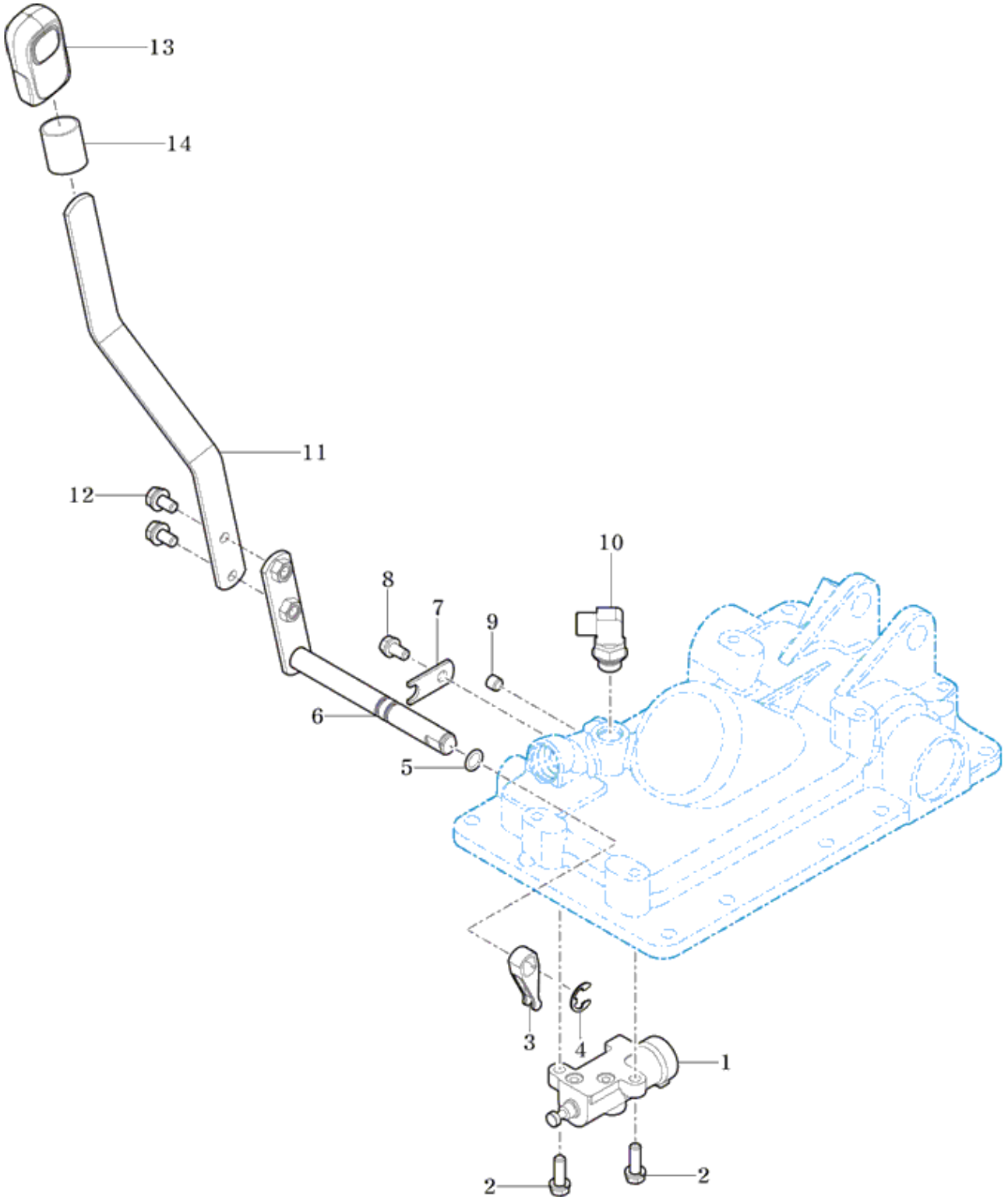
FIG

TS25NCEU

MAIN CONTROL VALVE

년/월  
Year/Month

2020.11



NOTE



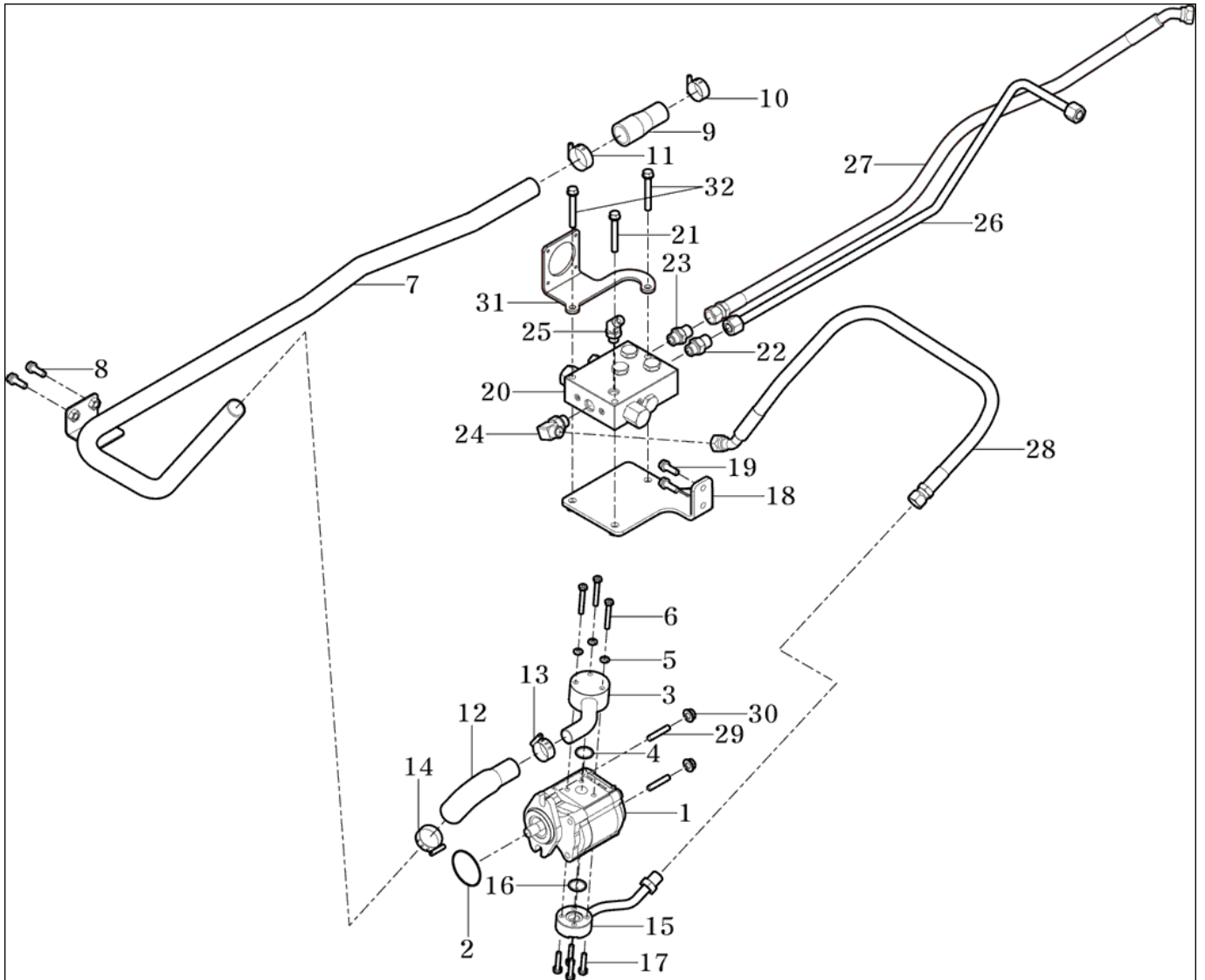
FIG

TS25NCEU

HYDRAULIC SUB

년/월  
Year/Month

2020.11



NOTE



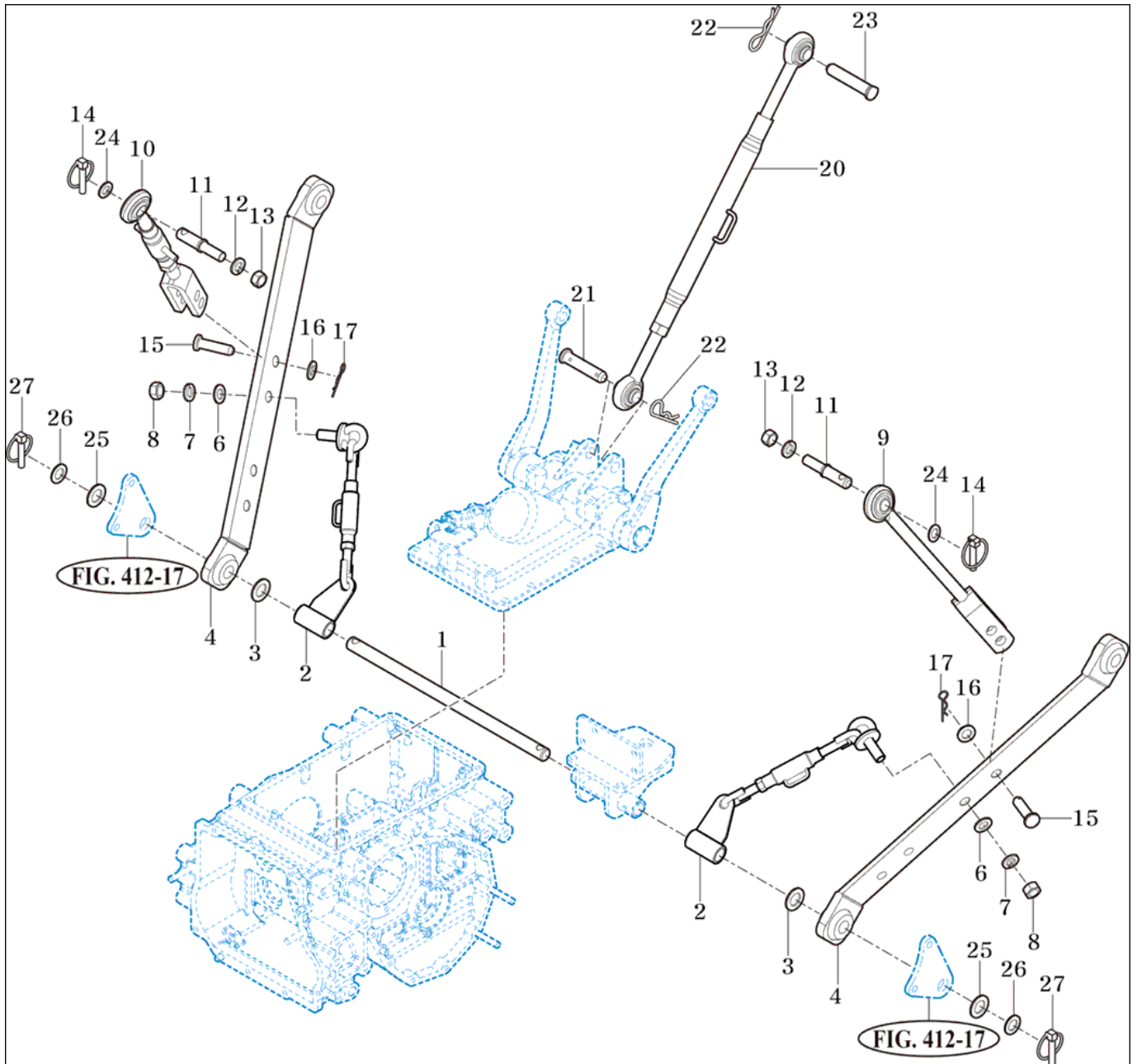
FIG

TS25NCEU

HITCH & 3-POINT LINKAGE

년/월  
Year/Month

2020.11



NOTE





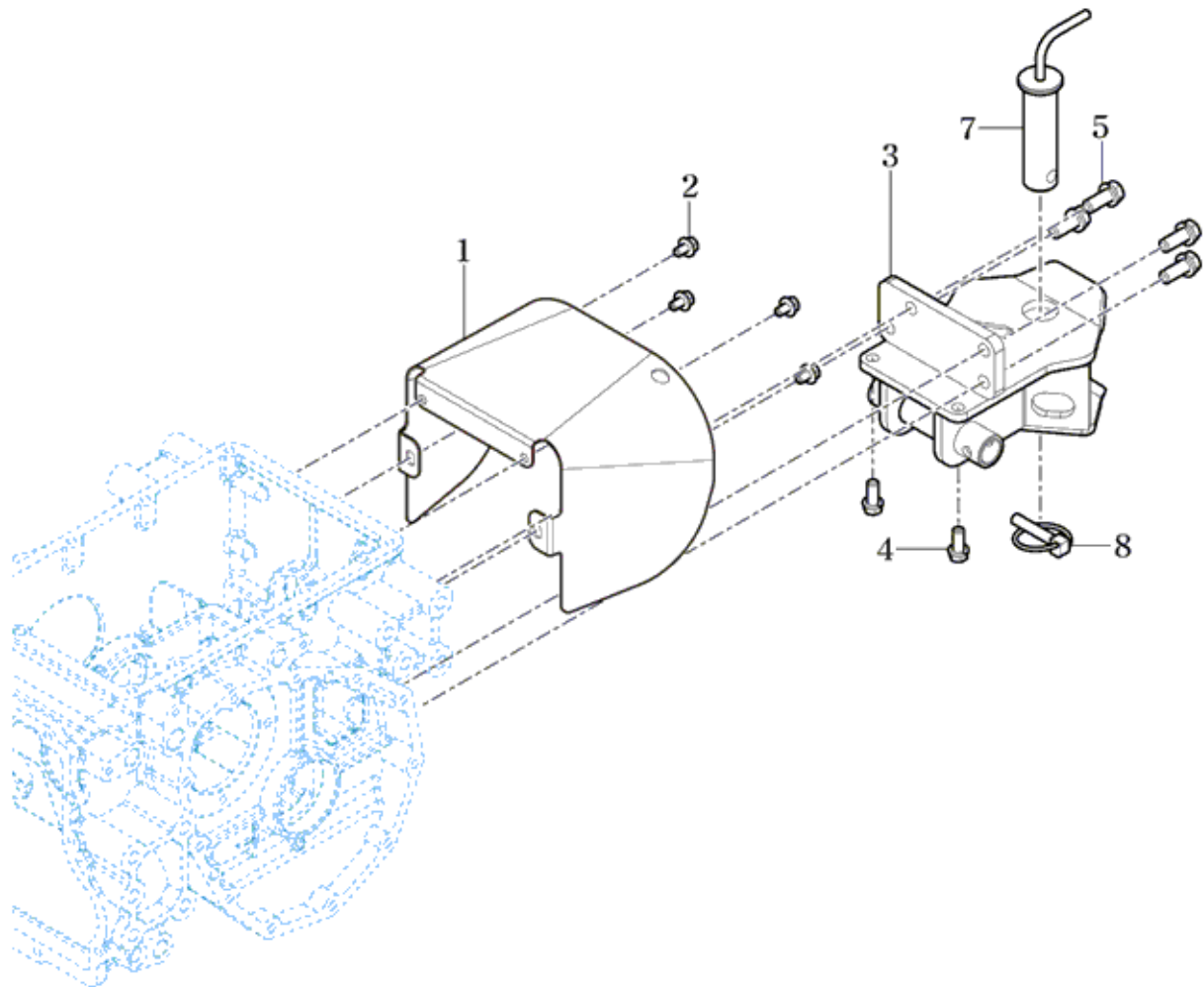
FIG

TS25NCEU

HITCH & COVER

년/월  
Year/Month

2020.11



NOTE



## 7. Sheet Metal & Cabin PART NO. T7

FIG BONNET	157
FIG FLOOR	159
FIG SEAT	161
FIG ROPS	163
FIG LEVER COVER & FENDER	165
FIG LAMP	167
FIG BONNET	169

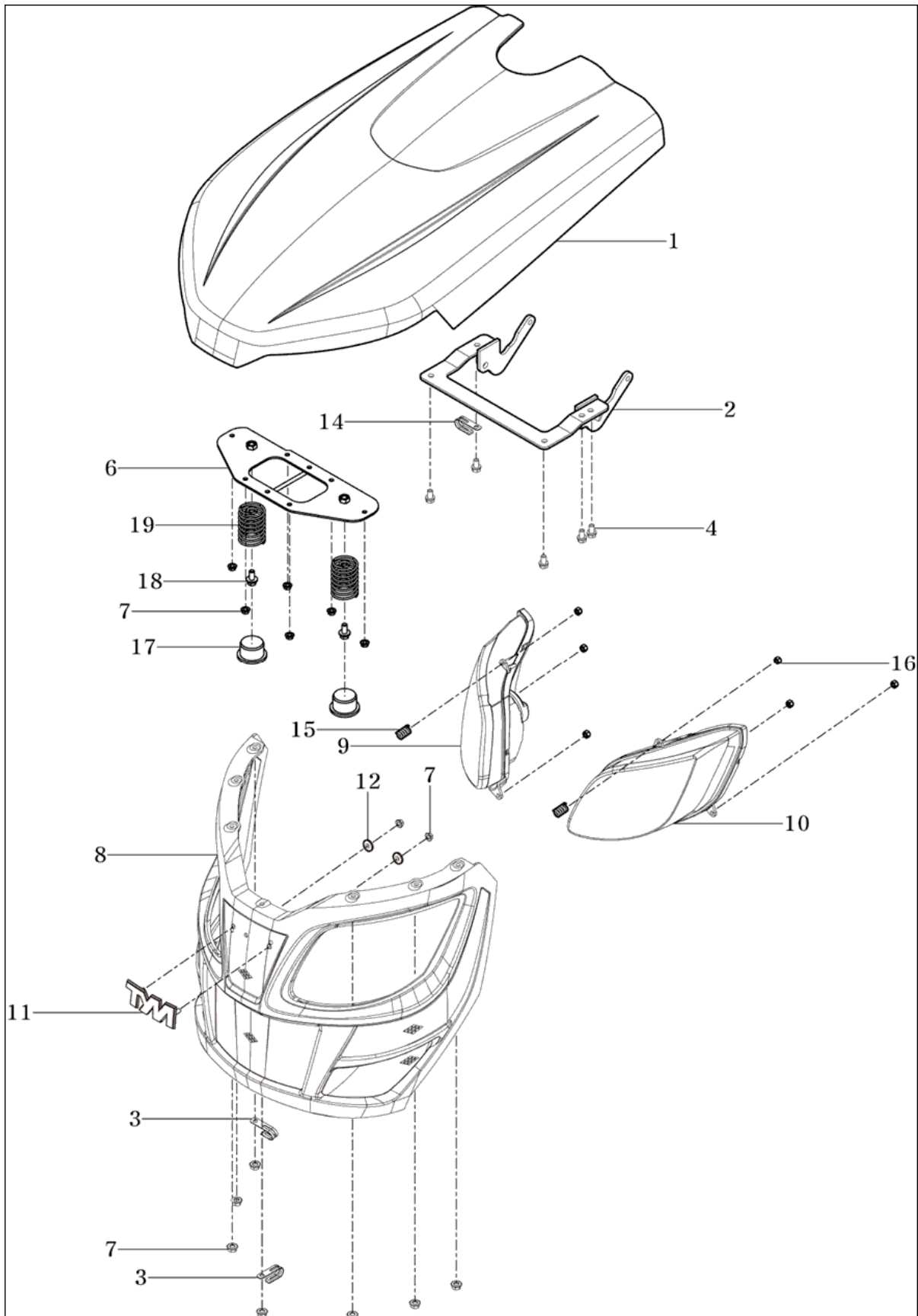
FIG

TS25NCEU

BONNET

년/월  
Year/Month

2020.11



NOTE



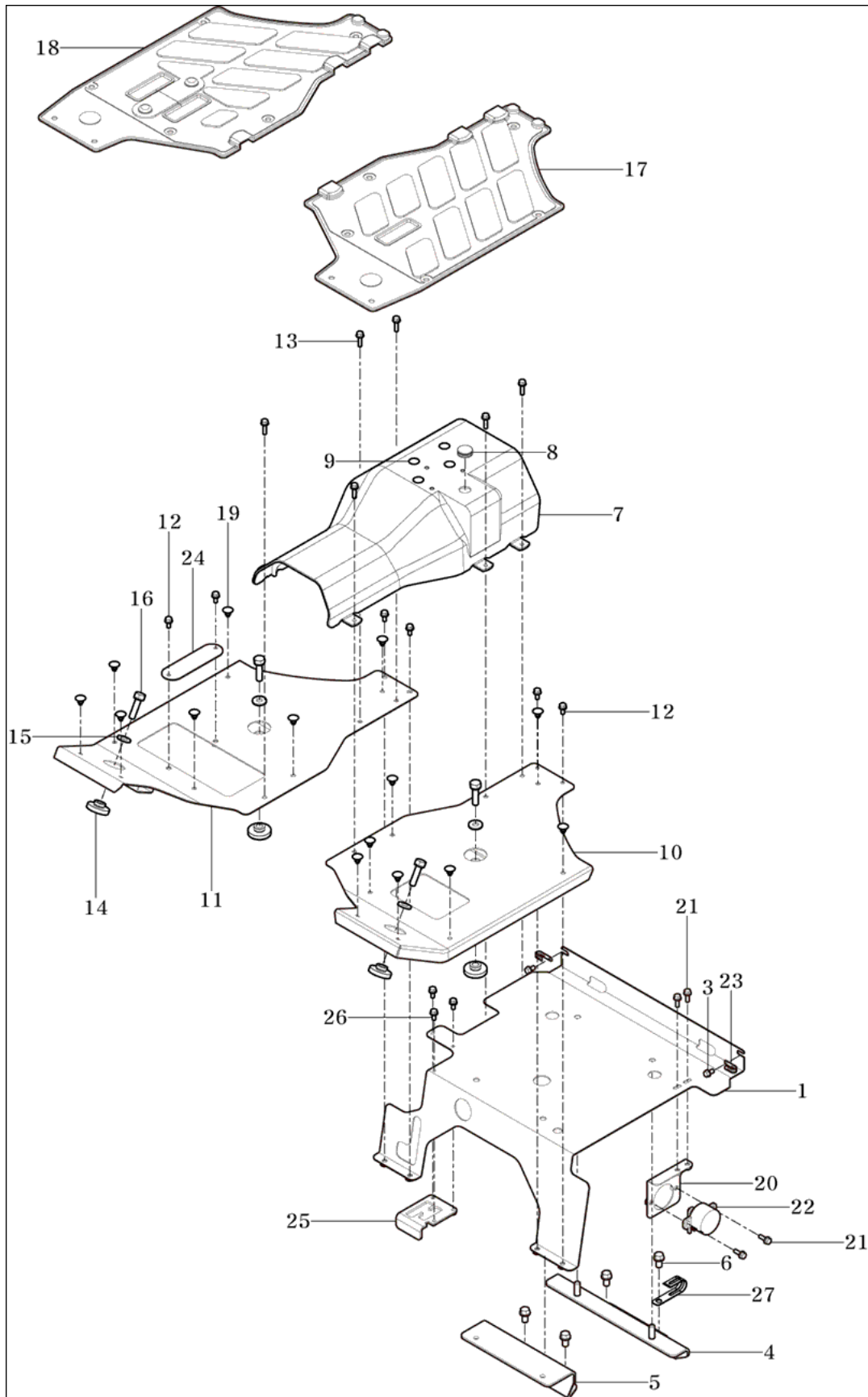
FIG

FLOOR

년/월  
Year/Month

TS25NCEU

2020.11



NOTE





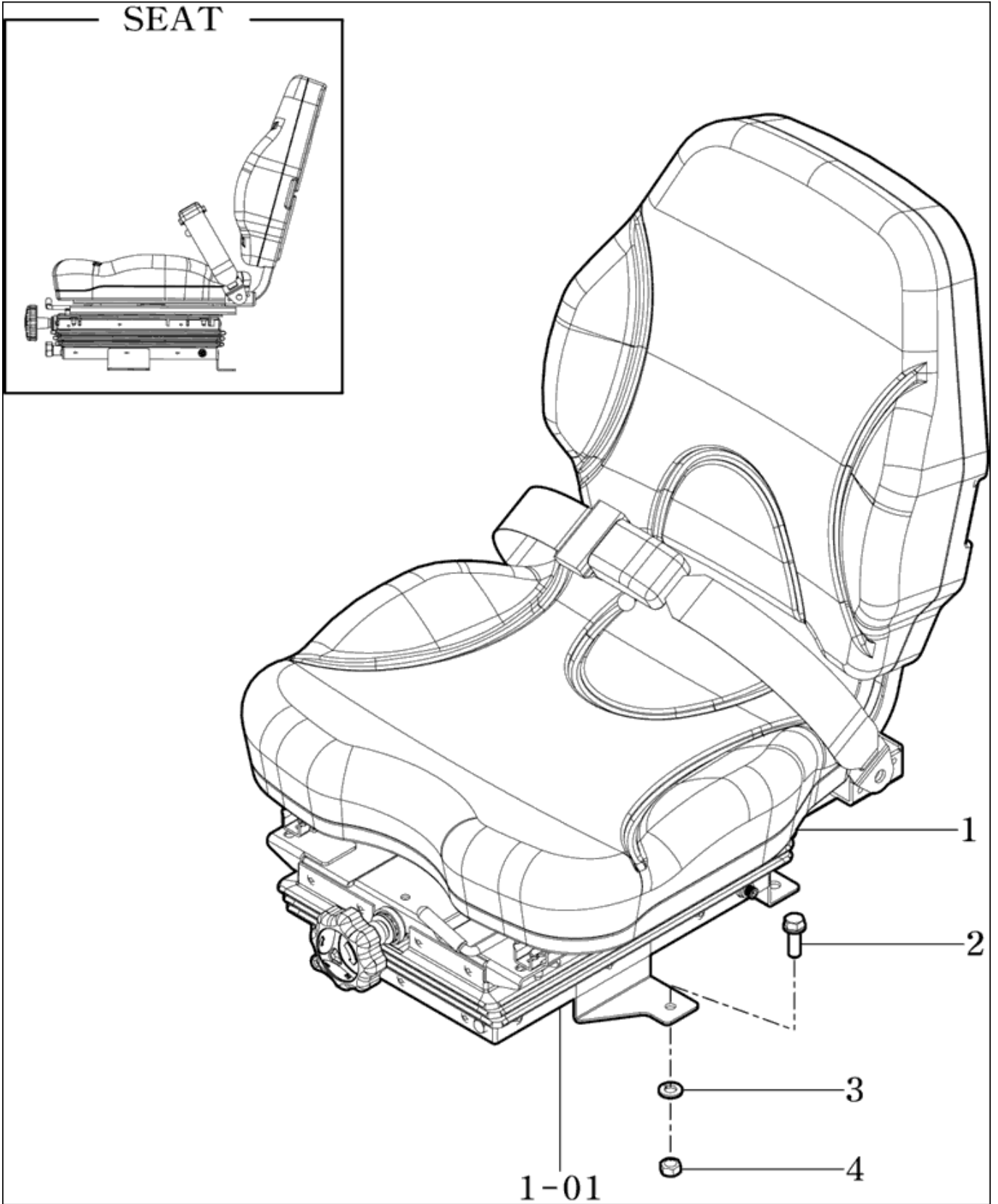
FIG

TS25NCEU

SEAT

년/월  
Year/Month

2020.11



NOTE



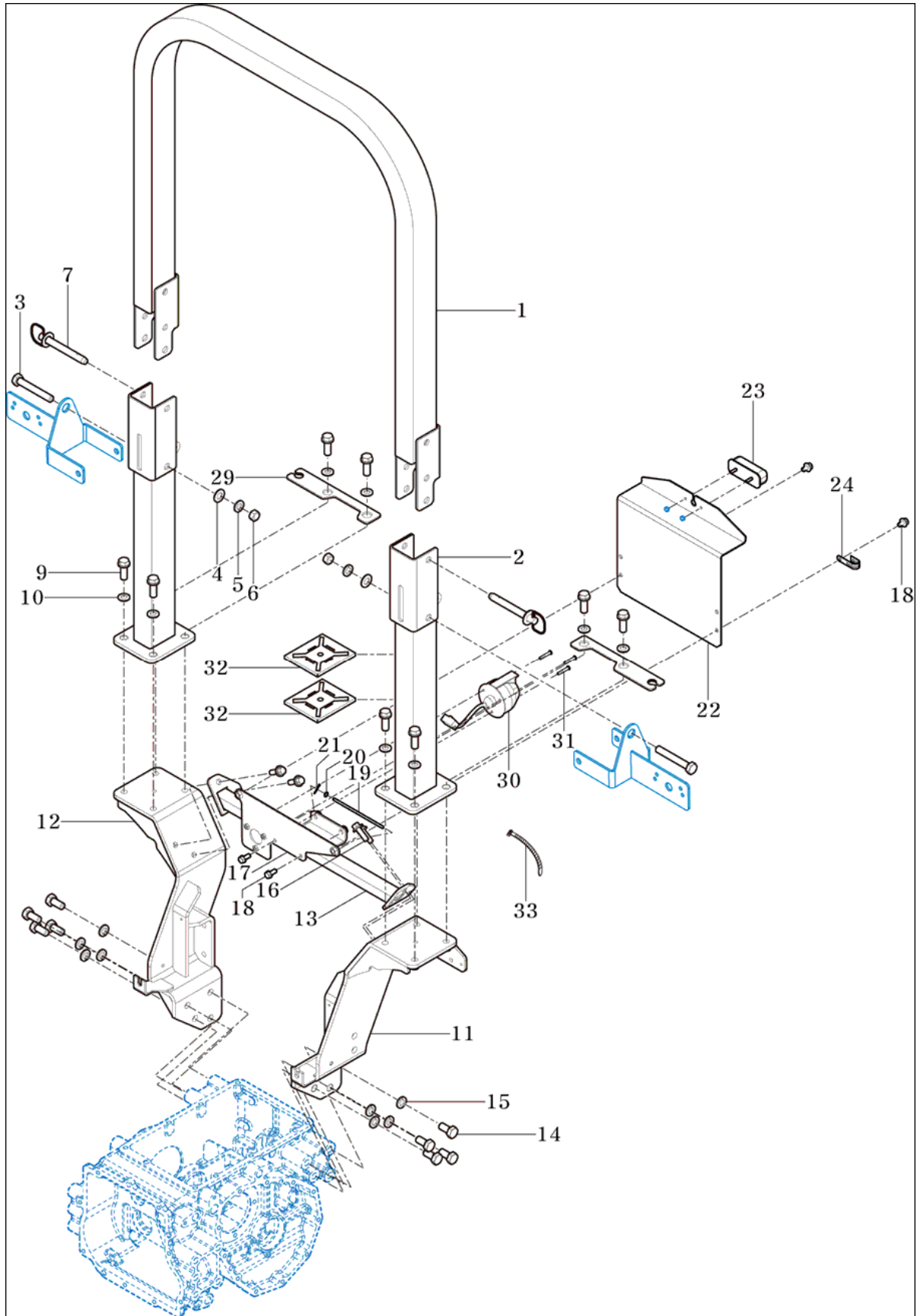
FIG

TS25NCEU

ROPS

년/월  
Year/Month

2020.11



NOTE



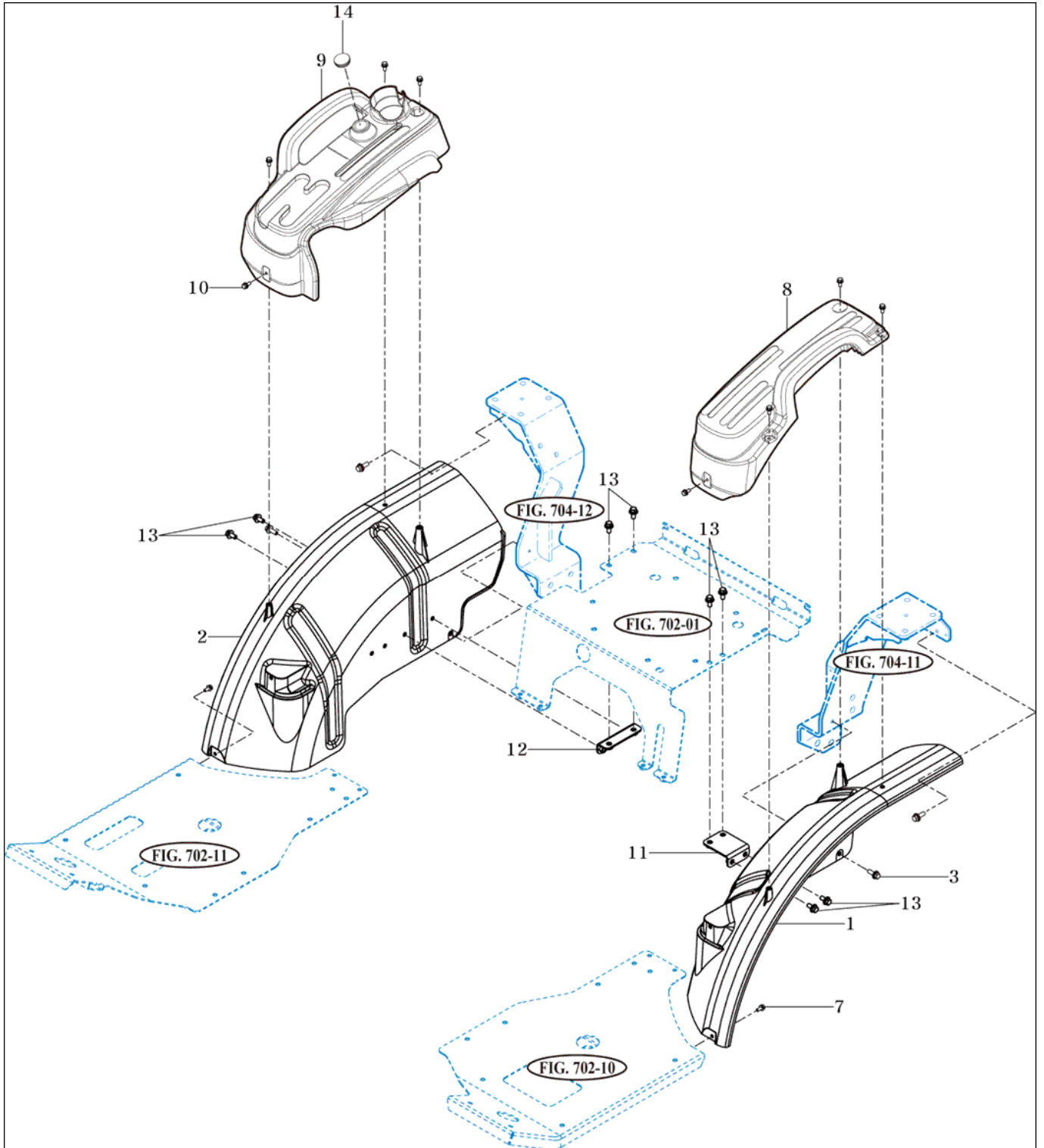
FIG

TS25NCEU

LEVER COVER & FENDER

년/월  
Year/Month

2020.11



NOTE



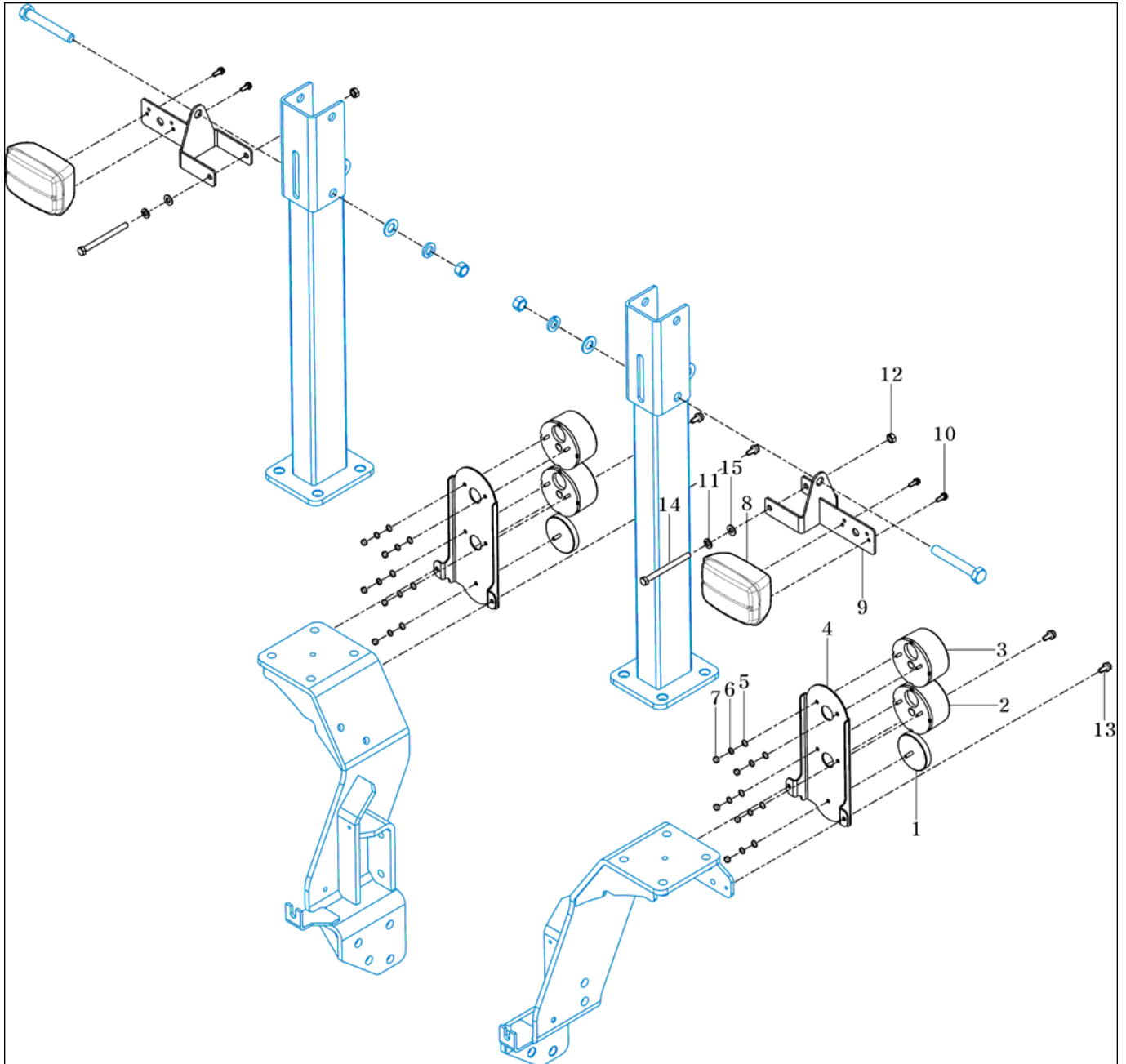
FIG

TS25NCEU

LAMP

년/월  
Year/Month

2020.11



NOTE





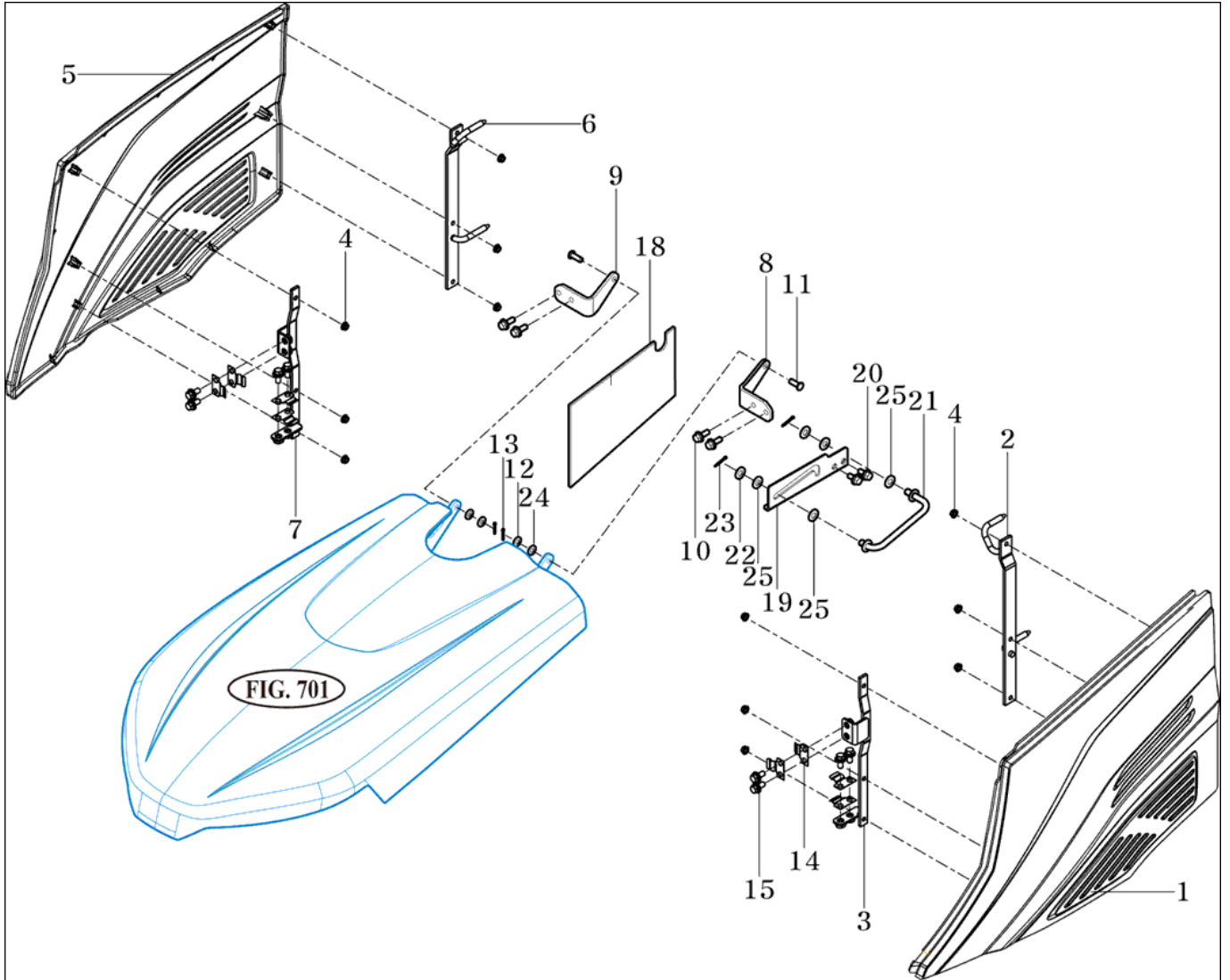
FIG

TS25NCEU

BONNET

년/월  
Year/Month

2020.11



NOTE



## 8. Electrical System PART NO. T8

FIG BATTERY MOUNTING	172
FIG INSTRUMENT PANEL	174
FIG HARNESS	176
FIG HARNESS	178
FIG HARNESS	180

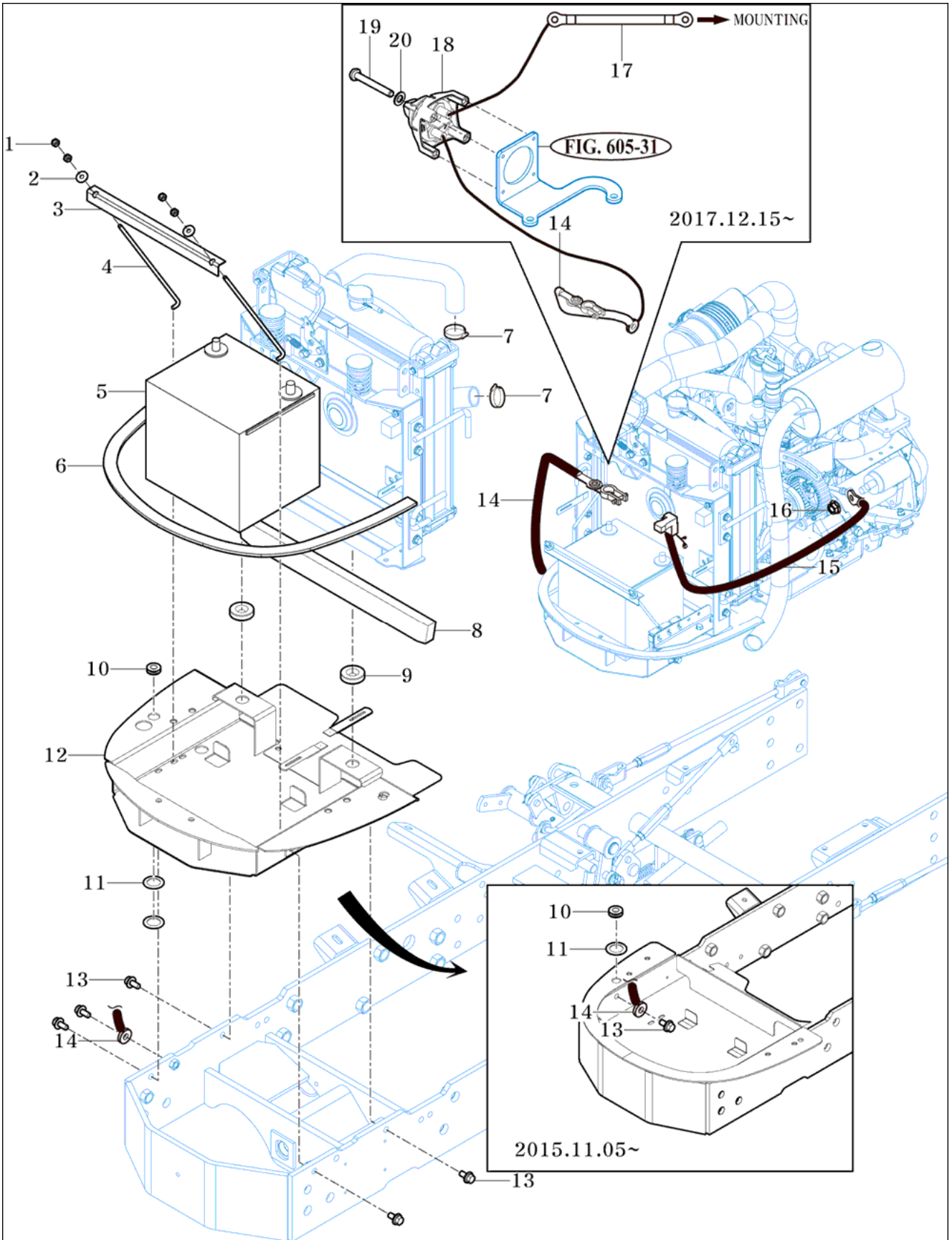
FIG

BATTERY MOUNTING

년/월  
Year/Month

TS25NCEU

2020.11



NOTE



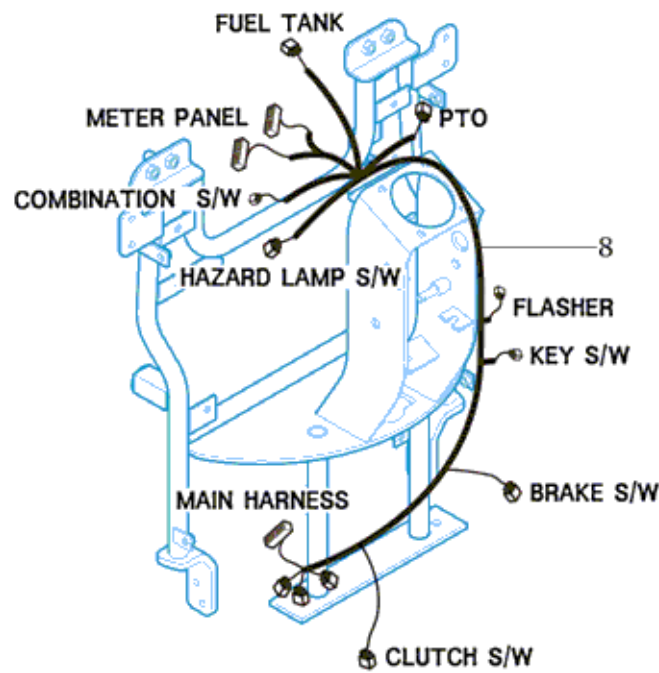
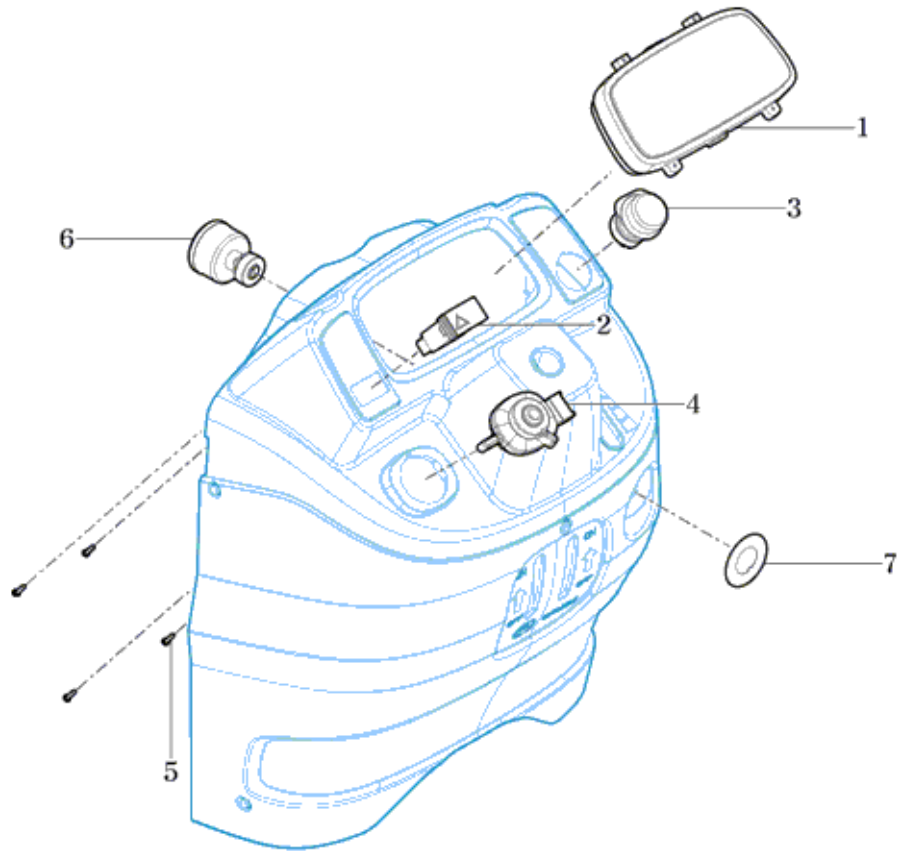
FIG

TS25NCEU

INSTRUMENT PANEL

년/월  
Year/Month

2020.11



NOTE



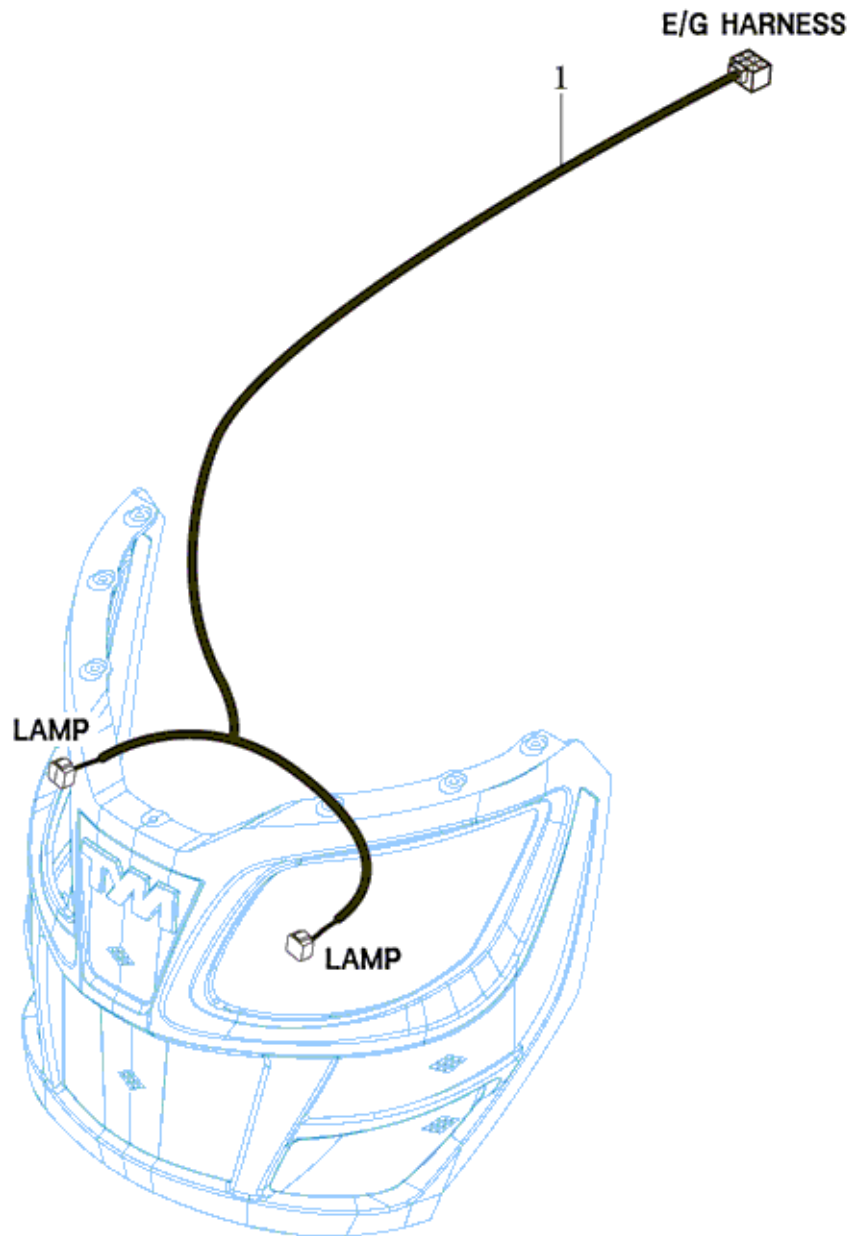
FIG

TS25NCEU

HARNESS

년/월  
Year/Month

2020.11



NOTE





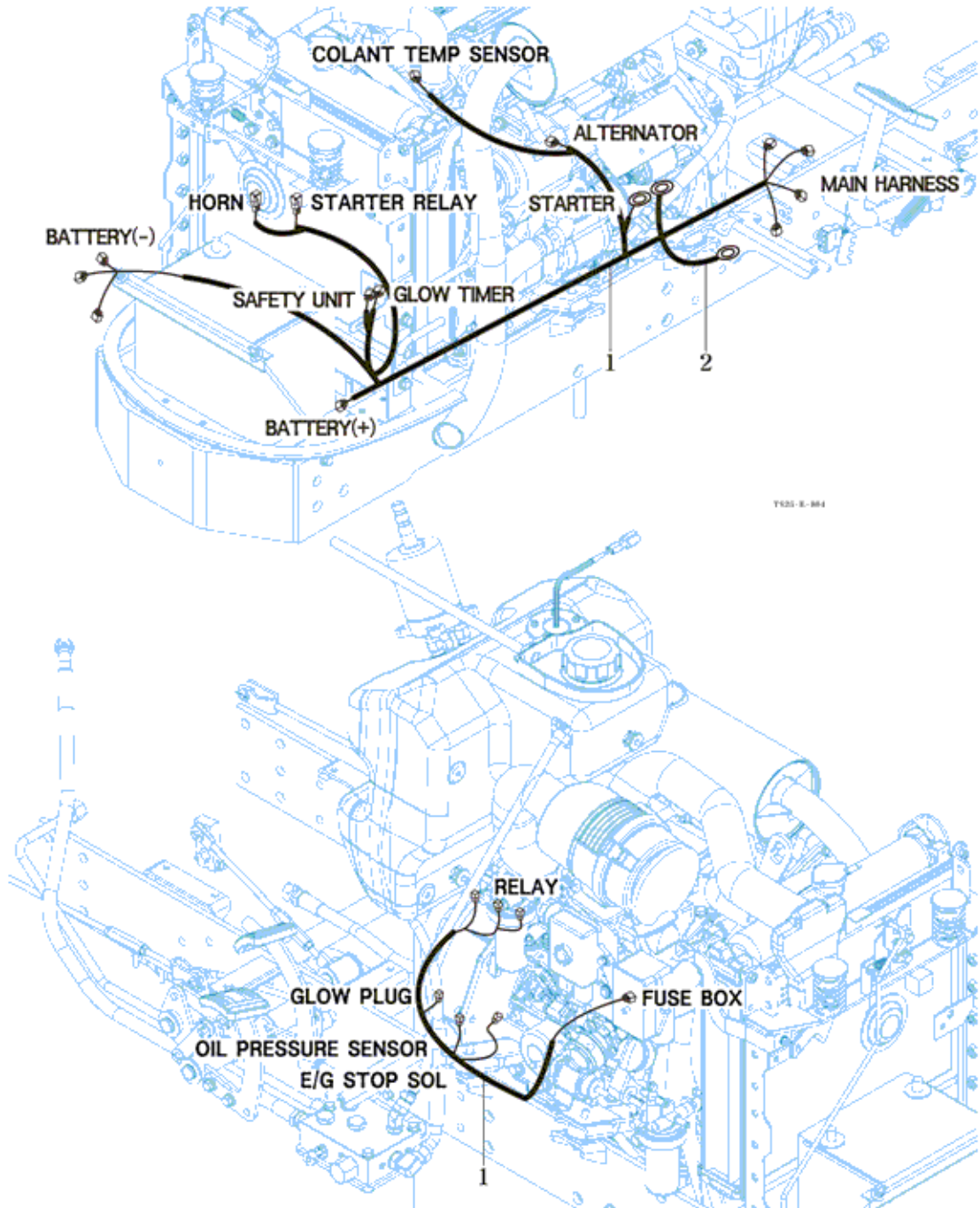
FIG

HARNESS

년/월  
Year/Month

TS25NCEU

2020.11



NOTE



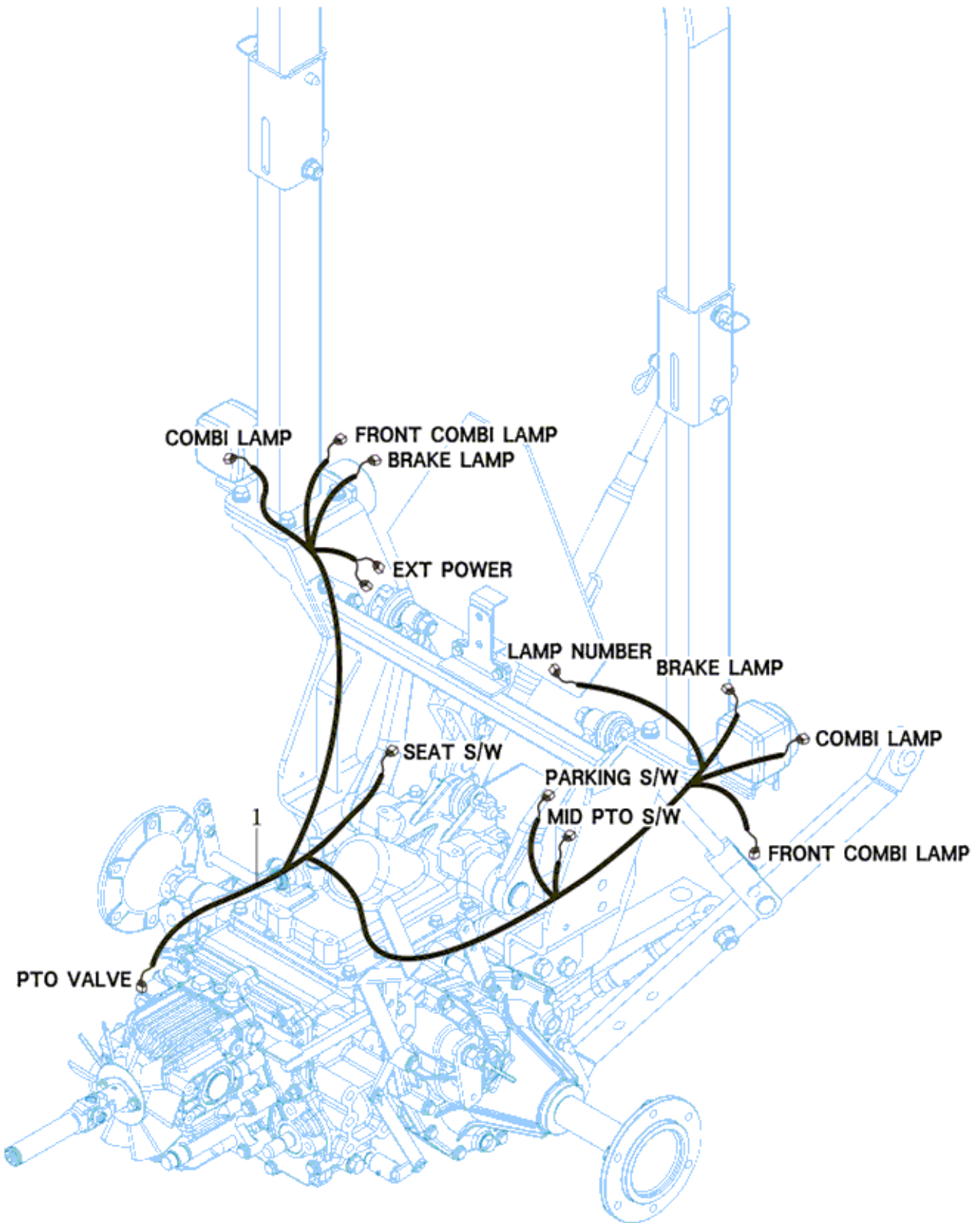
FIG

TS25NCEU

HARNESS

년/월  
Year/Month

2020.11



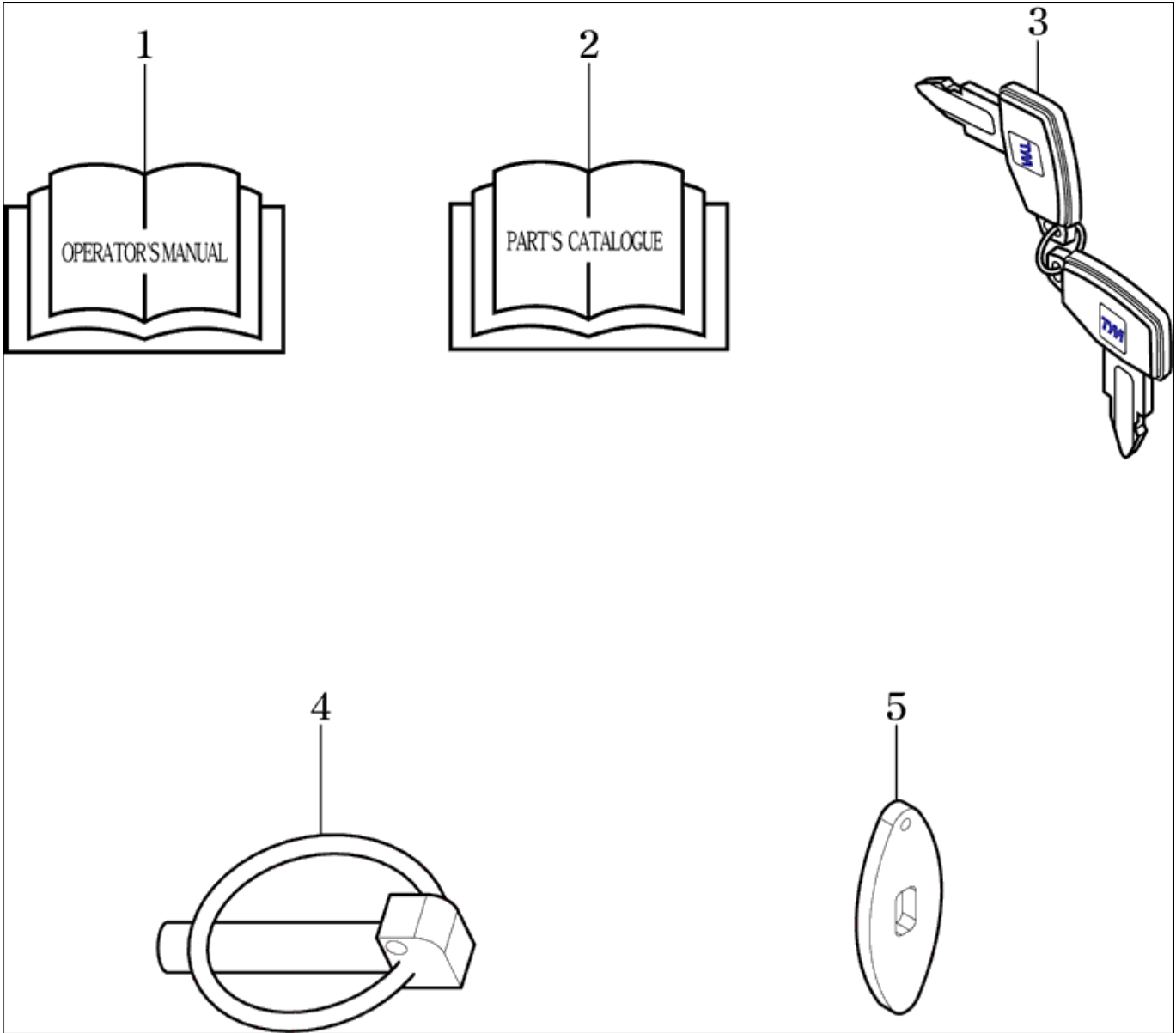
NOTE

FIG TS25NCEU		HARNESS						년/월 Year/Month
								2020.11
KEY NO	PART NO	DESCRIPTION	SPEC	QTY	REPAIR	EFFECTIVE DATE	REMARKS	
001	11126684003	HARNESS ASSY , RR		1				
NOTE								

## 9. Label/Option PART NO. T9

FIG TOOL & ACCESSORY	183
FIG LABEL	185
FIG LABEL	187
FIG AUXILIARY VALVE KIT - OPTION	189
FIG WEIGHT	191

FIG TS25NCEU	TOOL & ACCESSORY	년/월 Year/Month
		2020.11



NOTE	
------	--

FIG		TOOL & ACCESSORY						년/월 Year/Month
TS25NCEU								2020.11
KEY NO	PART NO	DESCRIPTION	SPEC	QTY	REPAIR	EFFECTIVE DATE	REMARKS	
001	11149120020	OPERATOR'S MANUAL (TS25NCEU)		1				
002	11149120030	PARTS CATALOGUE		1				
003	14527078720	KEY ASSY	1X1X1	1				
004	14215020020	PIN , LINK		2				
005	12136213210	KEY , BONNET OPEN	1X1X1	1				
NOTE								







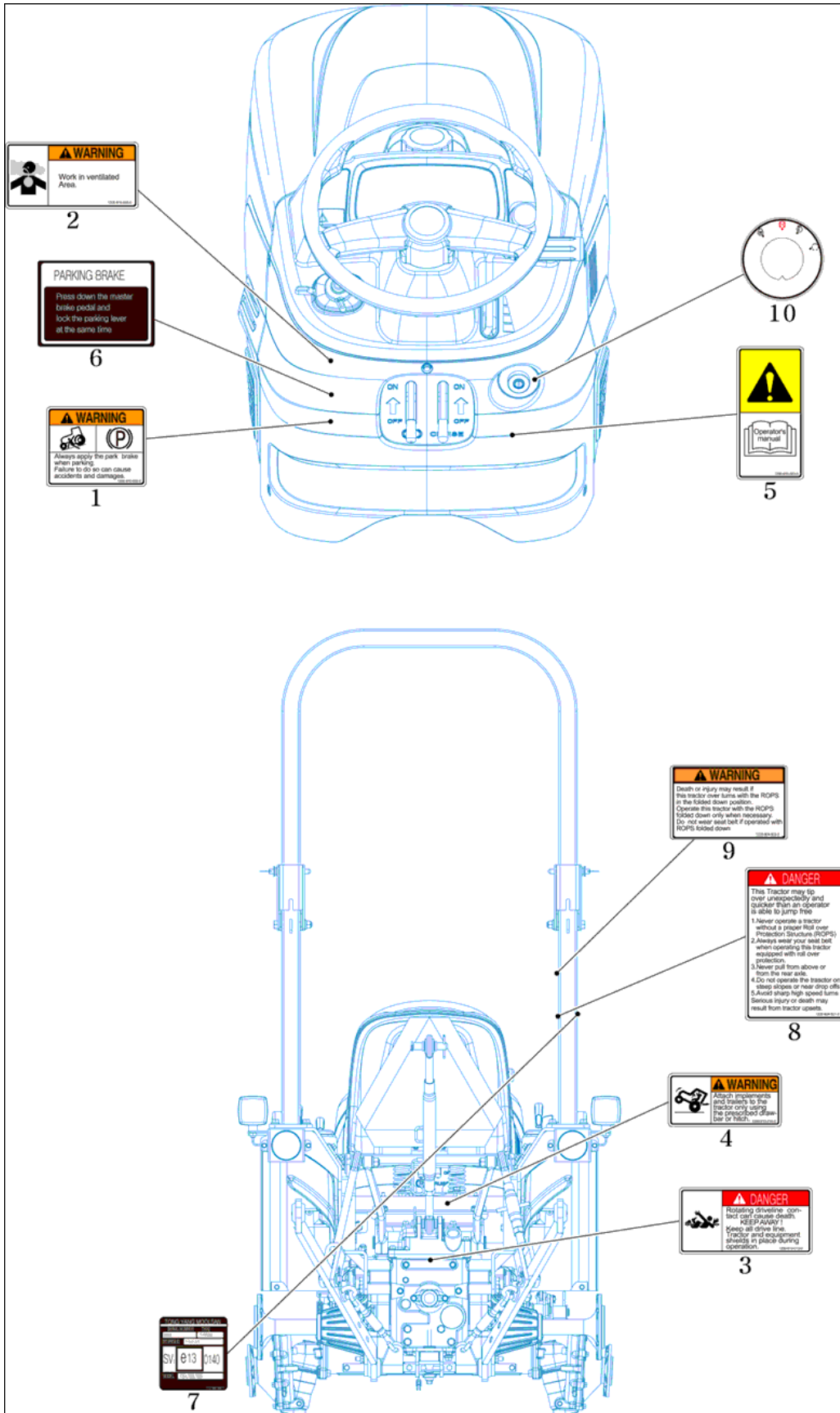
FIG

TS25NCEU

LABEL

년/월  
Year/Month

2020.11



NOTE



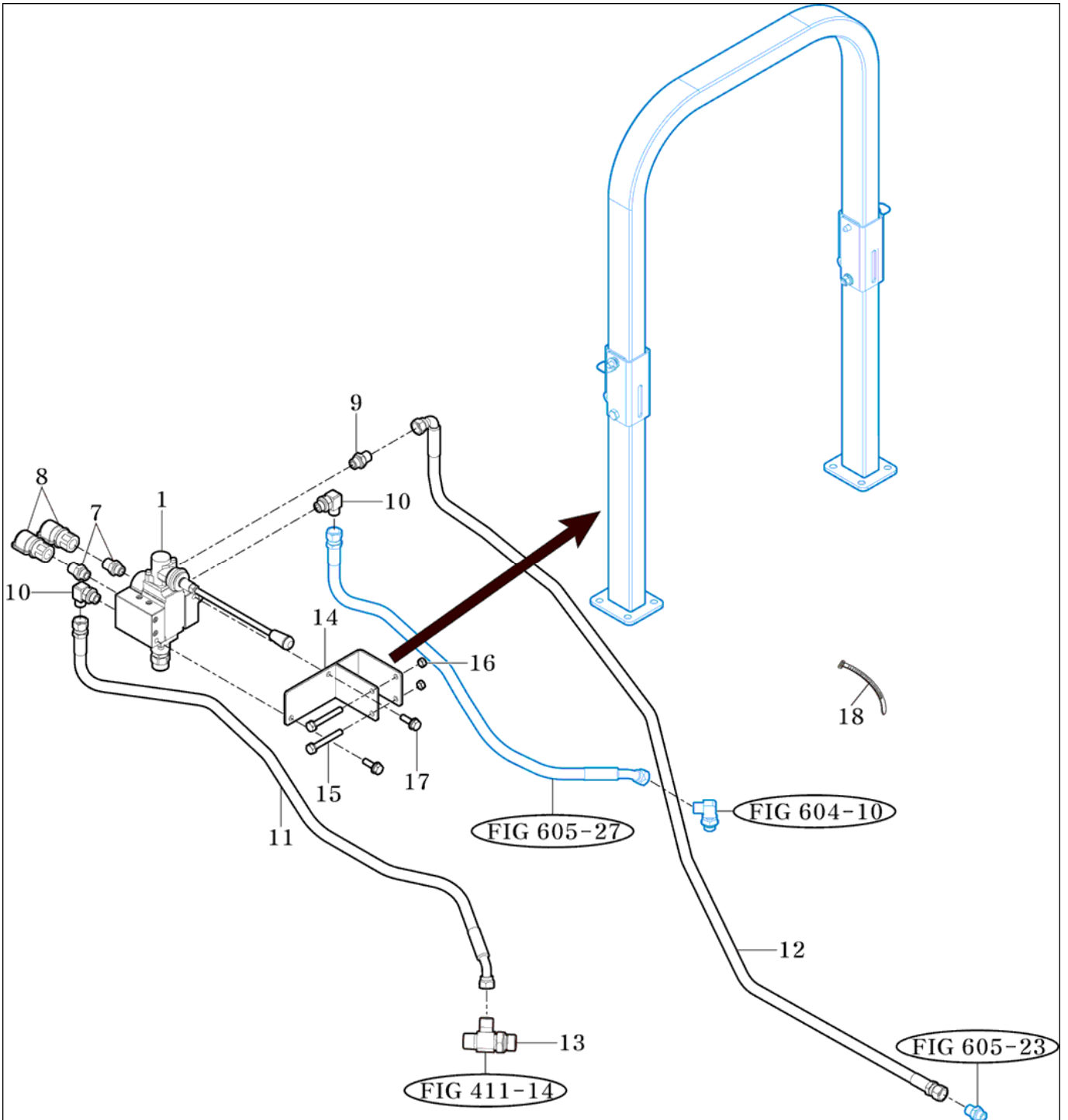
FIG

TS25NCEU

AUXILIARY VALVE KIT - OPTION

년/월  
Year/Month

2020.11



NOTE



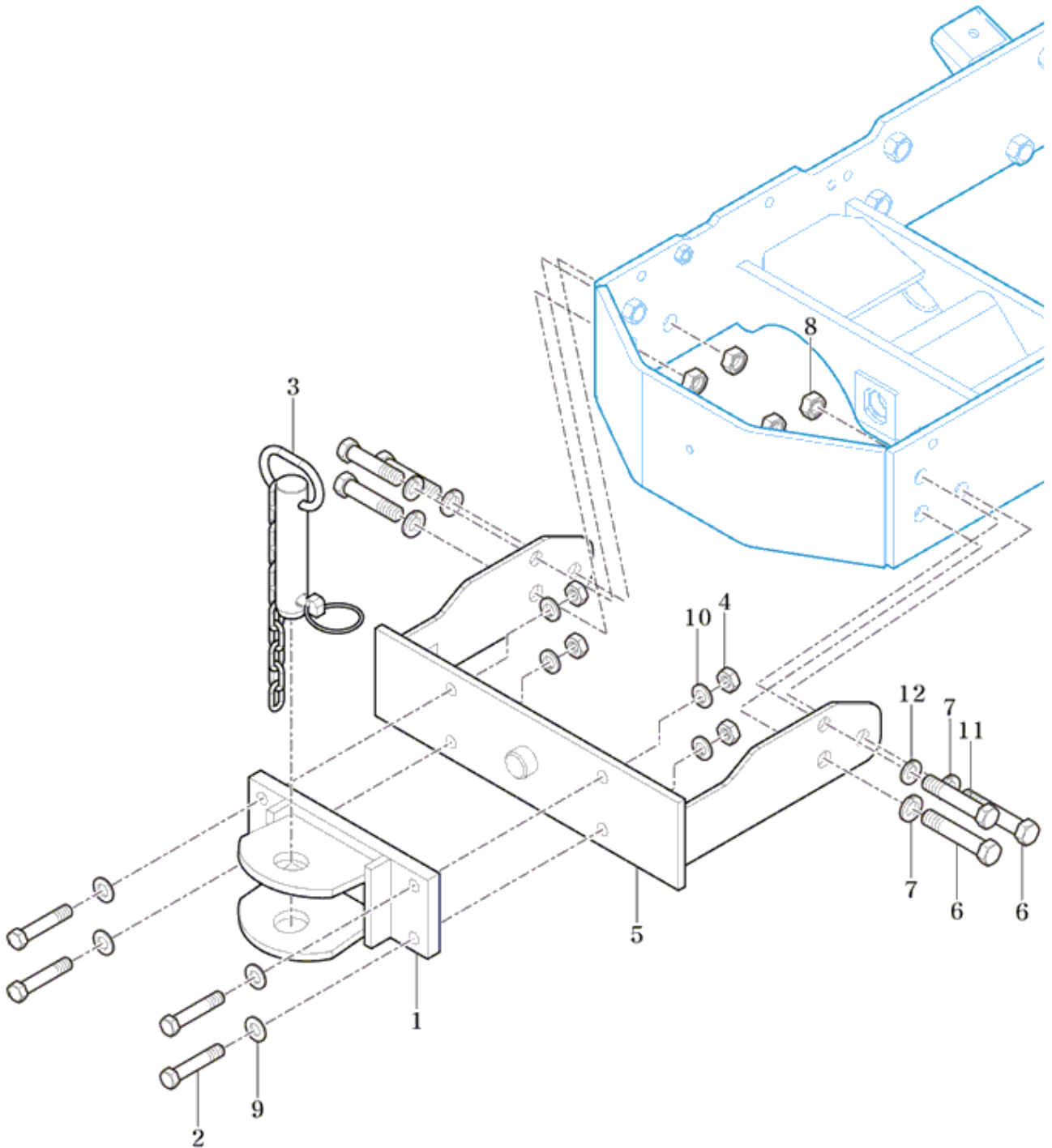
FIG

TS25NCEU

WEIGHT

년/월  
Year/Month

2020.11



NOTE

