

T254NC

## Parts Catalog

# 목 차

---

---

## 1. ENGINE PART NO. T254NC-C1

FIG 101 CYLINDER BLOCK	7
FIG 102 GEAR HOUSING	9
FIG 103 OIL SUMP	11
FIG 104 CYLINDER HEAD & BONNET	13
FIG 105 EXHAUST MANIFOLD	16
FIG 106 CAMSHAFT & DRIVING GEAR	18
FIG 107 CRANKSHAFT & PISTON	20
FIG 108 LUB.OIL SYSTEM	22
FIG 109 COOLING WATER SYSTEM	24
FIG 110 FUEL INJECTION PUMP	26
FIG 111 GOVERNOR	28
FIG 112 FUEL INJECTION VALVE	30
FIG 113 IDLE APPARATUS	32
FIG 114 FUEL INJECTION PUMP	34
FIG 115 GOVERNOR	36
FIG 116 SPEED CONTROLPLATE	38

## 2. ENGINE ACCESSORIES & CONTROL PART NO. T254NC-C2

FIG 201 AIR CLEANER	41
FIG 202(1) RADIATOR(~2015.11.04)	43
FIG 202(2) RADIATOR(2015.11.05~)	45
FIG 203 MUFFLER	47
FIG 204 FUEL TANK & FUEL LINE	49
FIG 205 ACCELERATOR(2015.11.05~)	51
FIG 206 FUEL FILTER	53
FIG 207 ENGINE MOUNTING	55

## 3. CLUTCH,BRAKE,STEERING PART NO. T254NC-C3

FIG 301 FLYWHEEL COVER	58
------------------------	----

FIG 302 BRAKE	60
FIG 303 CLUTCH,BRAKE PEDAL & LINKAGE	62
FIG 304 ACCELERATOR PEDAL & CABLE	64
FIG 305 DASH COVER	66
FIG 306 STEERING VALVE	68
FIG 307 STEERING CYLINDER	70
FIG 308 STEERING WHEEL	72
FIG 309 TIRE	74

#### 4. TRANSMISSION & REAR AXLE PART NO. T254NC-C4

FIG 401 INPUT SHAFT	77
FIG 402 INPUT GEAR	79
FIG 403 MAIN SHIFT GEAR	81
FIG 404 RANGE GEAR	83
FIG 405 4WD DRIVE GEAR	85
FIG 406 P.T.O DRIVE SHAFT	87
FIG 407 P.T.O SHAFT	89
FIG 408 MID P.T.O GEAR	91
FIG 409 DIFF LOCK	93
FIG 410 MID TRANSMISSION CASE	95
FIG 411 REAR TRANSMISSION CASE	97
FIG 412 REAR AXLE HOUSING	99
FIG 413 MAIN SHIFT LEVER	101
FIG 414 RANGE SHIFT LEVER	103
FIG 415 P.T.O CHANGE LEVER	105
FIG 416 4WD CHANGE LEVER	107
FIG 417 TRANSMISSION MOUNTING	109

#### 5. FRONT AXLE PART NO. T254NC-C5

FIG 501 FRONT DRIVE SHAFT	112
FIG 502 FRONT DIFFERENTIAL GEAR	114
FIG 503 FRONT AXLE HOUSING	116
FIG 504 FRONT GEAR CASE (1)	118
FIG 505 FRONT GEAR CASE (2)	120

#### 6. HYDRAULICS & 3-POINT LINK PART NO. T254NC-C6

FIG 601 CYLINDER CASE	123
-----------------------	-----

FIG 602 LIFT ARM	125
FIG 603 FLOW CONTROL VALVE	127
FIG 604 MAIN CONTROL VALVE	129
FIG 605 HYDRAULIC SUB	131
FIG 606 HITCH & 3-POINT LINKAGE	133
FIG 607 HITCH & COVER	135

## 7. SHEET METAL & R.O.P.S PART NO. T254NC-C7

FIG 701(1) BONNET (~2015.11.04)	138
FIG 701(2) BONNET (~2019.01.02)	140
FIG 701(3) BONNET (2019.01.03~)	142
FIG 701(4) BONNET (~2015.11.04)	144
FIG 701(5) BONNET (~2019.01.02)	146
FIG 701(6) BONNET (2019.01.03~)	148
FIG 702 FLOOR	150
FIG 703 SEAT	152
FIG 704 ROPS	154
FIG 705 LEVER COVER & FENDER	156
FIG 706 REARVIEW MIRRORS	158
FIG 707 FRONT GLASS	160
FIG 708 DOOR-LH	162
FIG 709 DOOR-RH	164
FIG 710 REAR GLASS	166
FIG 711 ROOF	168
FIG 712 WORKING LAMP & FENDER COVER	170
FIG 713 HEATER SUB	172
FIG 714 REAR WPER KIT(OPTION)	174

## 8. ELECTRICALS & HARNESS PART NO. T254NC-C8

FIG 801 BATTERY MOUNTING	177
FIG 802 INSTRUMENT PANEL	179
FIG 803 HARNESS	181
FIG 804 HARNESS	183
FIG 805 HARNESS	185

## 9. LABEL,TOOLS PART NO. T254NC-C9

FIG 901 TOOL & ACCESSORY	188
--------------------------	-----

FIG 902 LABEL	190
FIG 903 LABEL	192
FIG 905 AUXILIARY VALVE KIT	194

# 1. ENGINE PART NO. T254NC-C1

FIG 101 CYLINDER BLOCK	7
FIG 102 GEAR HOUSING	9
FIG 103 OIL SUMP	11
FIG 104 CYLINDER HEAD & BONNET	13
FIG 105 EXHAUST MANIFOLD	16
FIG 106 CAMSHAFT & DRIVING GEAR	18
FIG 107 CRANKSHAFT & PISTON	20
FIG 108 LUB.OIL SYSTEM	22
FIG 109 COOLING WATER SYSTEM	24
FIG 110 FUEL INJECTION PUMP	26
FIG 111 GOVERNOR	28
FIG 112 FUEL INJECTION VALVE	30
FIG 113 IDLE APPARATUS	32
FIG 114 FUEL INJECTION PUMP	34
FIG 115 GOVERNOR	36
FIG 116 SPEED CONTROLPLATE	38







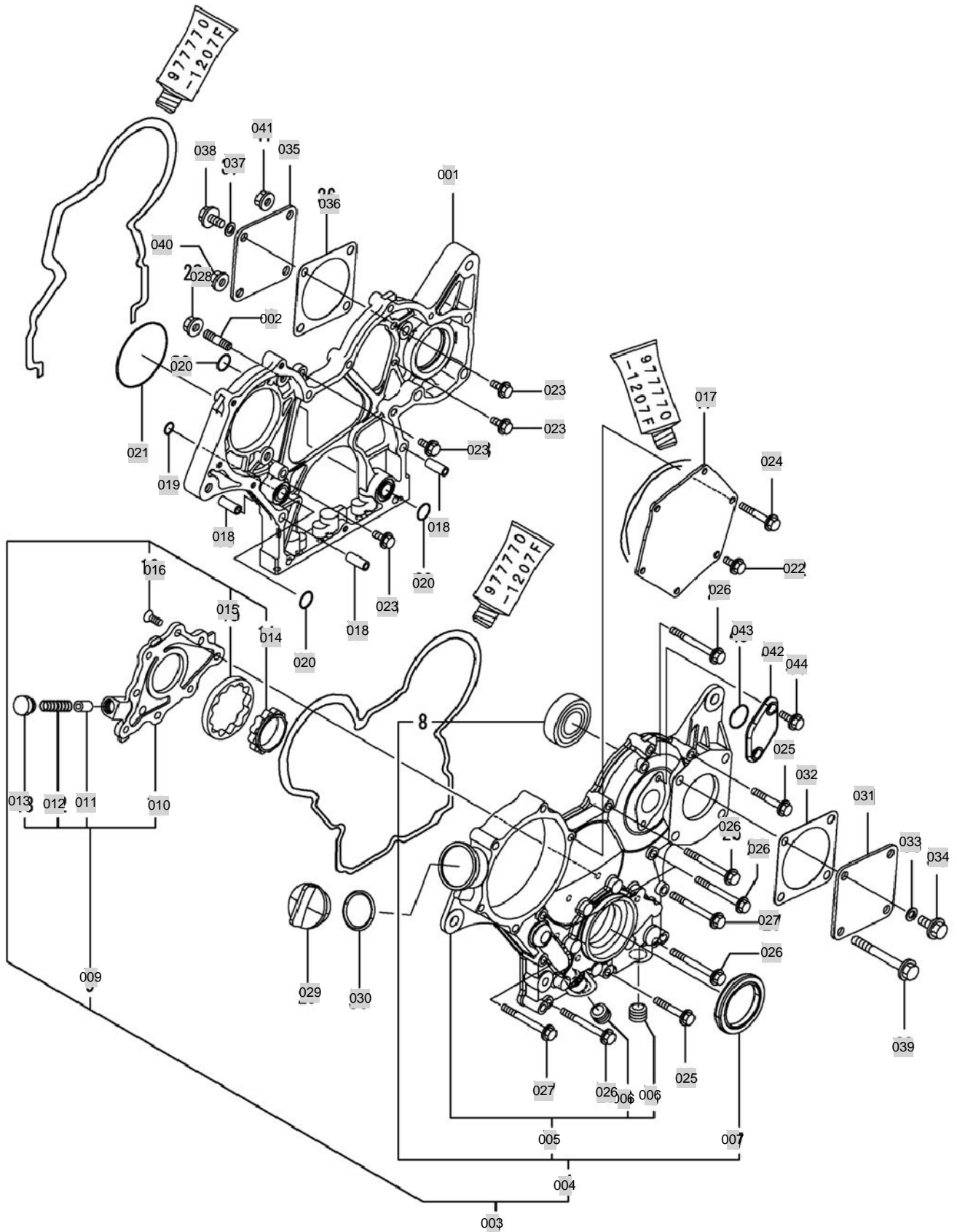
FIG 102

GEAR HOUSING

년/월  
Year/Month

T254NC

2020.07



NOTE

FIG 102		GEAR HOUSING					년/월 Year/Month		
							2020.07		
T254NC		KEY NO	PART NO	DESCRIPTION	SPEC	QTY	REPAIR	EFFECTIVE DATE	REMARKS
102	001	119740-01501	CASE, GEAR			1			
102	002	119717-01570	STUD			3			
102	003	119751-01590	COVER ASSY,GEAR CASE			1			
102	004	719751-01500	COVER ASSY,GEAR CASE			1			
102	005	119751-01521	COVER, GEAR CASE			1			
102	006	23876-030000	PLUG, R03			2			
102	007	119717-01800	SEAL, OIL			1			
102	008	24101-062024	BEARING, BALL 6202			1			
102	009	119717-32100	COVER ASSY			1			
102	010	119717-32080	COVER			1			
102	011	129900-32130	VALVE, RELIEF			1			
102	012	129001-32320	SPRING			1			
102	013	129001-32330	PLUG			1			
102	014	119717-32110	ROTOR, INNER			1			
102	015	119717-32120	ROTOR, OUTER			1			
102	016	119802-32130	SCREW, M6X16			8			
102	017	119717-01750	COVER			1			
102	018	119660-01911	PIPE, KNOCK			4			
102	019	119624-32040	O-RING, P12.0			1			
102	020	119717-32050	O-RING, P17.0			3			
102	021	121850-51960	O-RING			1			
102	022	26106-060122	BOLT, M6X12 PLATED			1			
102	023	26106-060162	BOLT, M6X16 PLATED			4			
102	024	26106-060402	BOLT, M6X40 PLATED			4			
102	025	26106-060402	BOLT, M6X40 PLATED			2			
102	026	26106-060602	BOLT, M6X60 PLATED			7			
102	027	26106-060652	BOLT, M6X65 PLATED			2			
102	028	26306-080002	NUT, M8			3			
102	029	124160-01751	COVER, FILLER			1			
102	030	24311-000320	O-RING, 1AP32.0			1			
102	031	124240-01871	COVER			1			
102	032	129C26-01890	GASKET, HO-P			1			
102	033	22190-080002	WASHER, SEAL 8			1			
102	034	26106-080122	BOLT, M8X12 PLATED			1			
102	035	124240-01871	COVER			1			
102	036	129C26-01890	GASKET, HO-P			1			
102	037	22190-080002	WASHER, SEAL 8			1			
102	038	26106-080142	BOLT, M8X14 PLATED			1			
102	039	26106-080702	BOLT, M8X70 PLATED			3			
102	040	26306-080002	NUT, M8			1			
102	041	26306-080002	NUT, M8			2			
102	042	121023-01551	COVER			1			
102	043	24341-000240	O-RING, 1AS24.0			1			
102	044	26106-060162	BOLT, M6X16 PLATED			2			
NOTE									





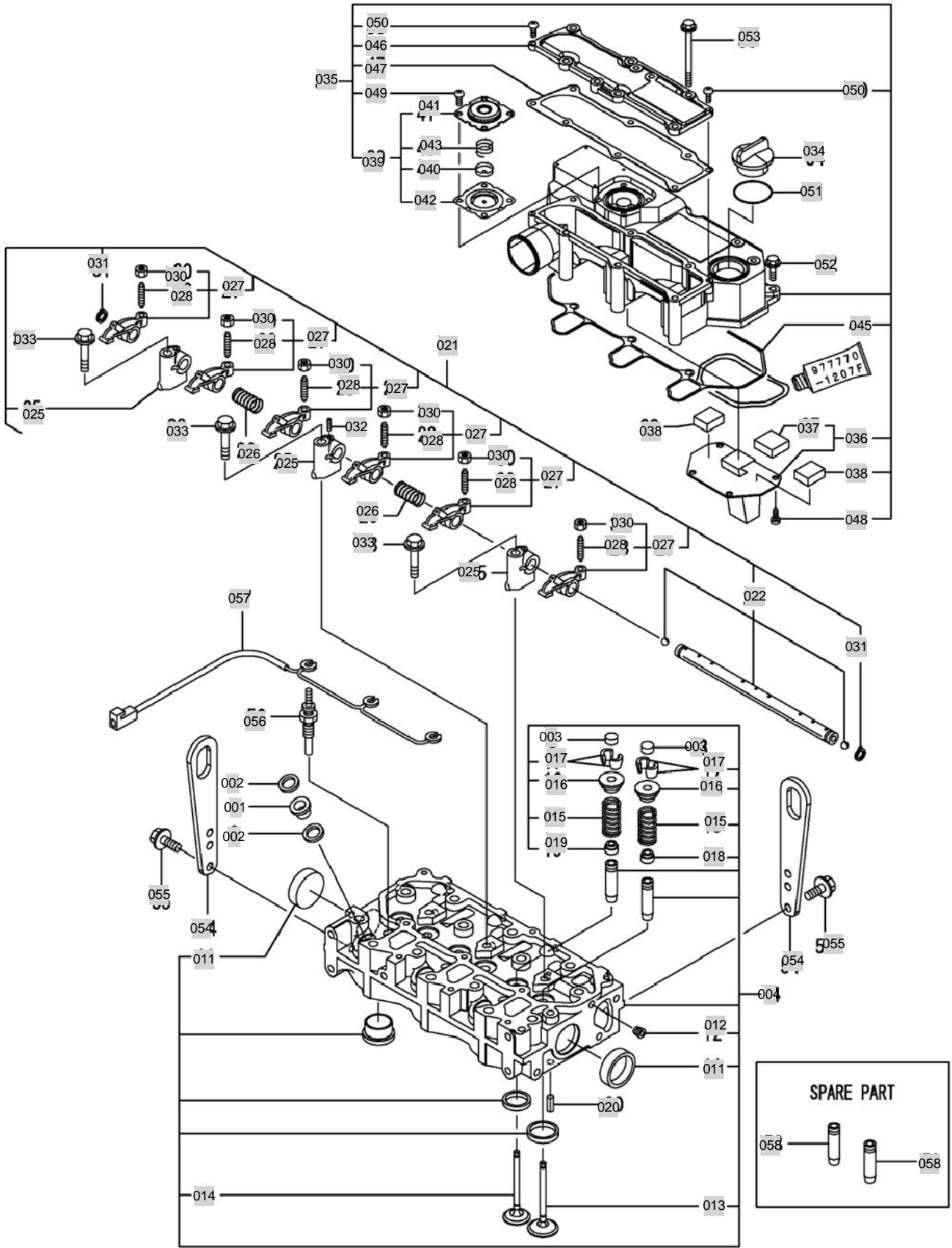
FIG 104

CYLINDER HEAD & BONNET

년/월  
Year/Month

2020.07

T254NC



NOTE

FIG 104 T254NC		CYLINDER HEAD & BONNET					년/월 Year/Month	
							2020.07	
KEY NO	PART NO	DESCRIPTION	SPEC	QTY	REPAIR	EFFECTIVE DATE	REMARKS	
104	001	129901-11450	PROTECTOR, NOZZLE		3			
104	002	119600-11460	GASKET, NOZZLE		6			
104	003	105010-11490	CAP, VALVE		6			
104	004	119E10-11750	HEAD ASSY, CYLINDER		1			
104	011	119285-11990	PLUG, 35		2			
104	012	23876-005000	PLUG, R005		1			
104	013	119E10-11100	VALVE, SUCTION		3			
104	014	119E10-11110	VALVE, EXHAUST		3			
104	015	119717-11131	SPRING, VALVE		6			
104	016	129508-11180	RETAINER, SPRING		6			
104	017	119717-11190	COTTER		12			
104	018	119717-11340	SEAL, VALVE STEM		3			
104	019	119717-11350	SEAL, VALVE STEM		3			
104	020	22351-060012	PIN, SPRING 6.0X12		2			
104	021	119717-11200	SUPPORT ASSY, ARM		1			
104	022	119717-11240	SHAFT ASSY, ROCKER		1			
104	025	119717-11260	SUPPORT, ROCKER ARM		3			
104	026	119620-11280	SPRING		2			
104	027	119717-11650	ARM, ROCKER		6			
104	028	129150-11230	SCREW, VALVE ADJUST		6			
104	030	129150-11750	NUT, M8		6			
104	031	22242-000120	RING, 12		2			
104	032	26979-050162	SCREW, M5X16		1			
104	033	26106-080402	BOLT, M8X 40 PLATED		3			
104	034	124160-01751	COVER, FILLER		1			
104	035	119717-11381	BONNET ASSY, HEAD		1			
104	036	119717-03031	PLATE		1			
104	037	119717-03070	BAFFLE, BREATHER		1			
104	038	119717-03070	BAFFLE, BREATHER		2			
104	039	119802-03100	DIAPHRAGM ASSY		1			
104	040	119802-03110	PLATE		1			
104	041	119802-03121	COVER, DIAPHRAGM		1			
104	042	119802-03131	DIAPHRAGM		1			
104	043	119802-03141	SPRING, DIAPHRAGM		1			
104	045	119718-11310	GASKET, BONNET		1			
104	046	119717-11320	COVER, BONNET		1			
104	047	119717-11331	GASKET		1			
104	048	22857-500100	SCREW, 5X10		4			
104	049	22857-500100	SCREW, 5X10		4			
104	050	22857-500160	SCREW, 5X16		2			
104	051	24311-000320	O-RING, 1AP32.0		1			
104	052	26106-060202	BOLT, M6X20 PLATED		3			
104	053	26106-060752	BOLT, M6X75 PLATED		6			
104	054	129900-07900	LIFTER		2			
104	055	26106-080162	BOLT, M8X16 PLATED		4			
NOTE								



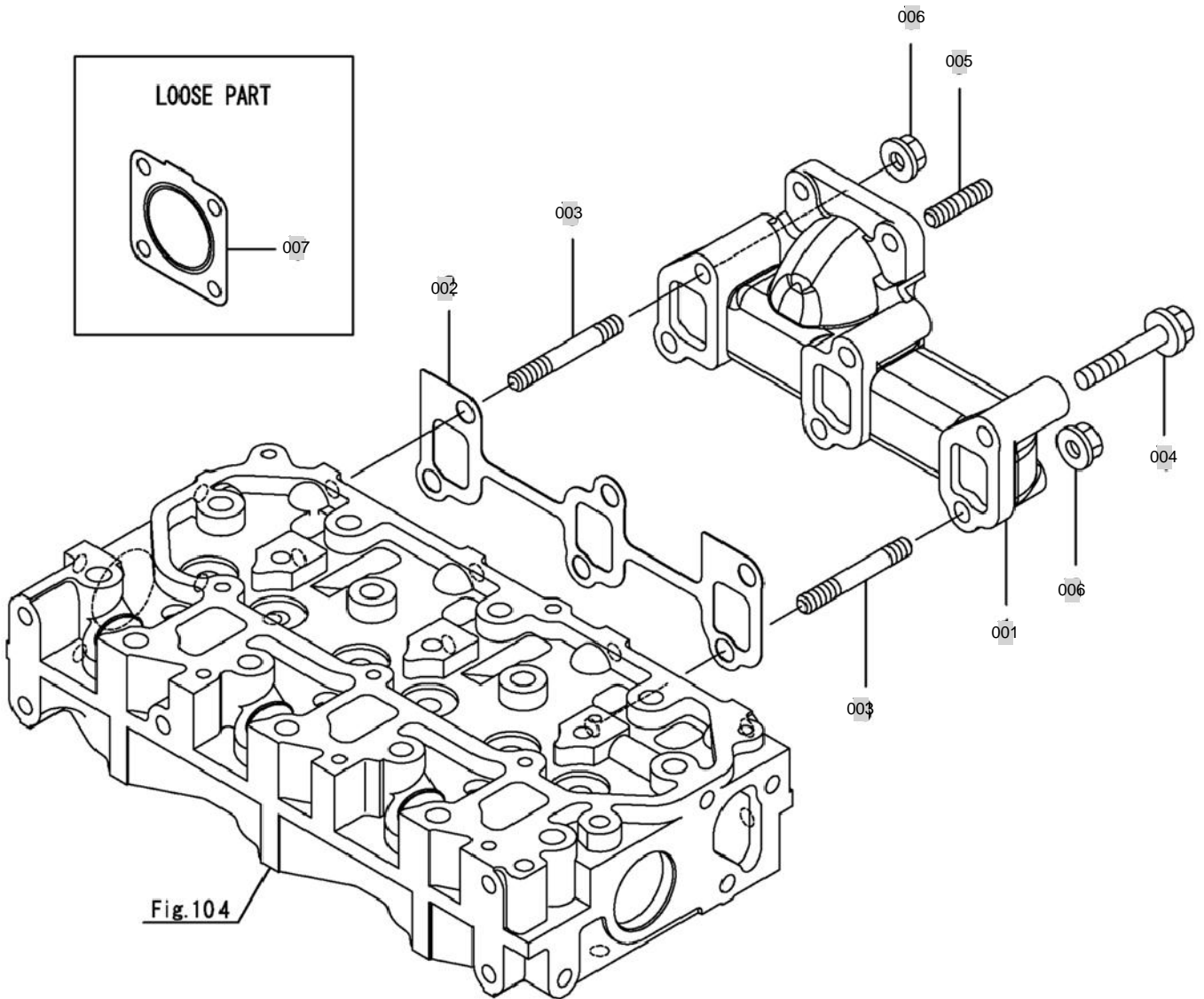
FIG 105

EXHAUST MANIFOLD

년/월  
Year/Month

T254NC

2020.07



NOTE





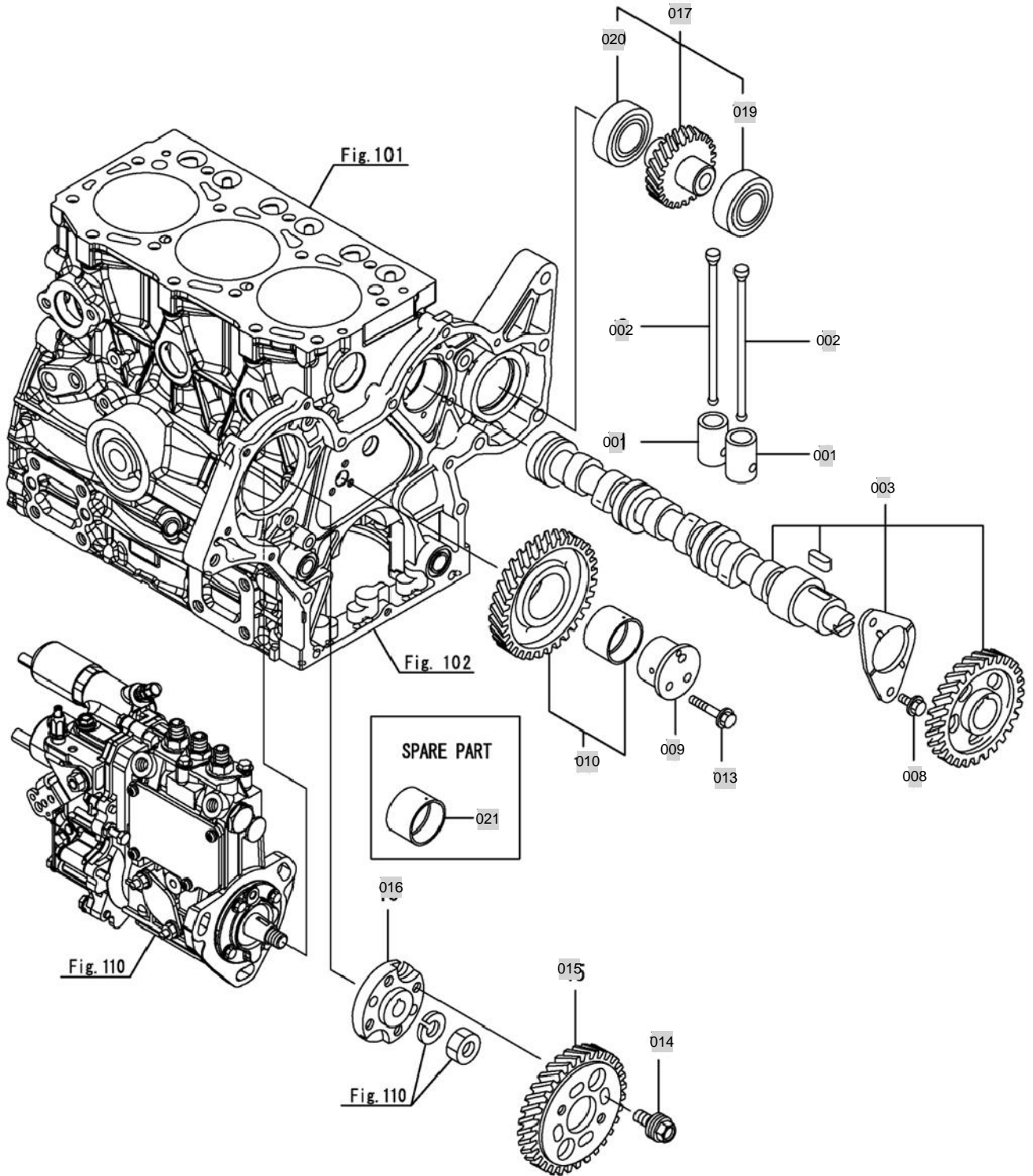
FIG 106

T254NC

CAMSHAFT & DRIVING GEAR

년/월  
Year/Month

2020.07



NOTE

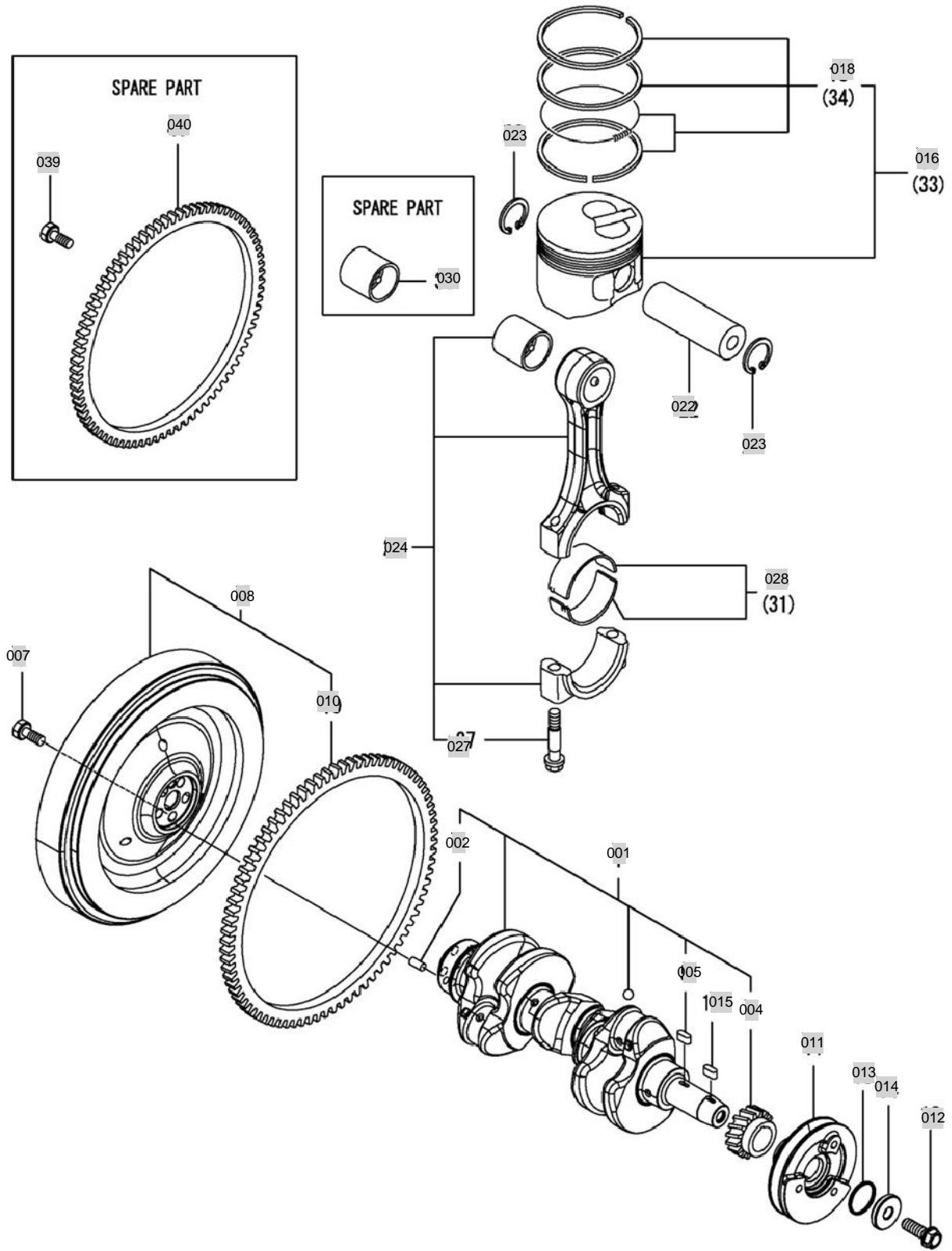


FIG 107

CRANKSHAFT & PISTON

년/월  
Year/Month

2020.07



NOTE



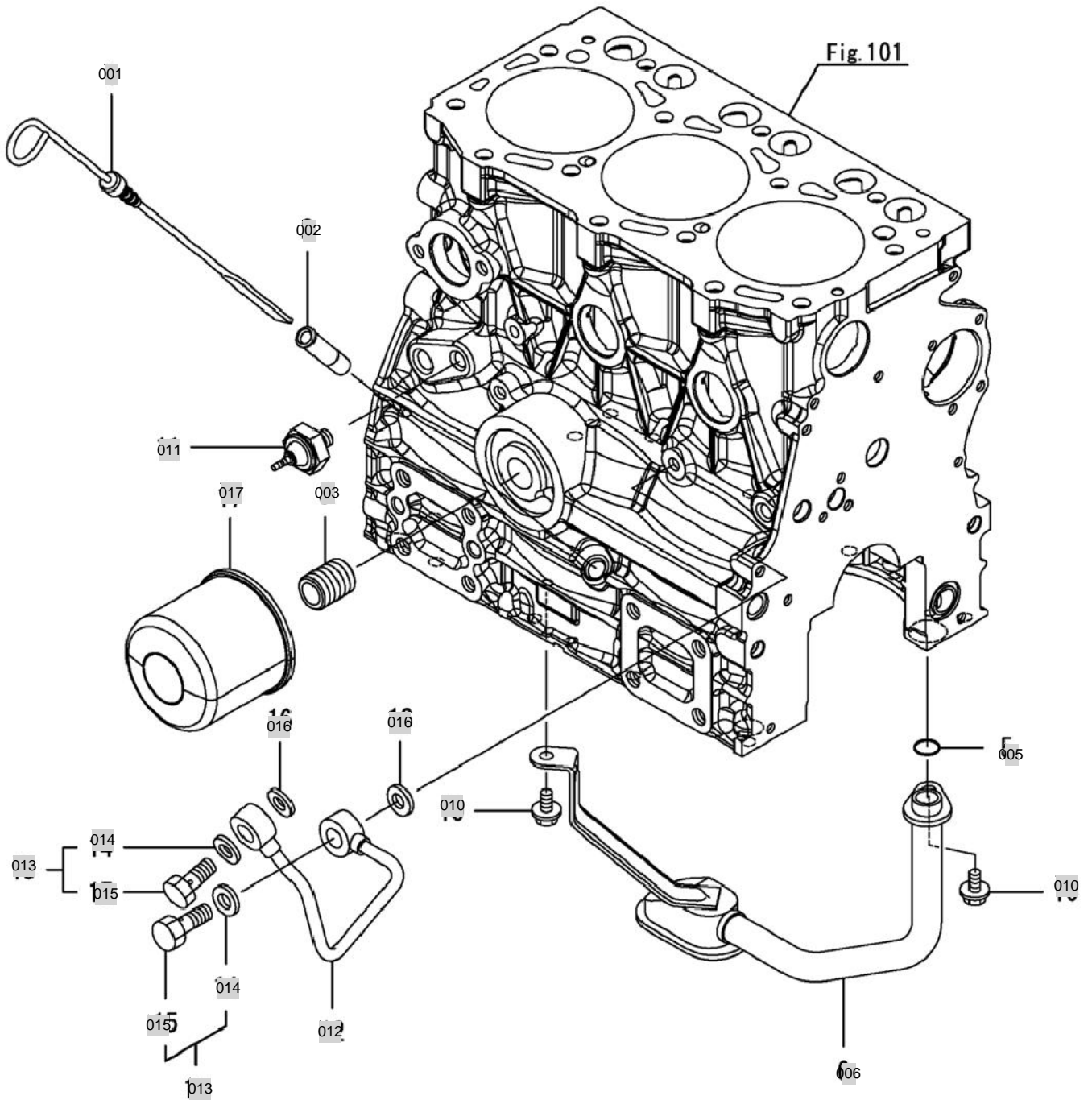
FIG 108

LUB.OIL SYSTEM

년/월  
Year/Month

2020.07

T254NC



NOTE



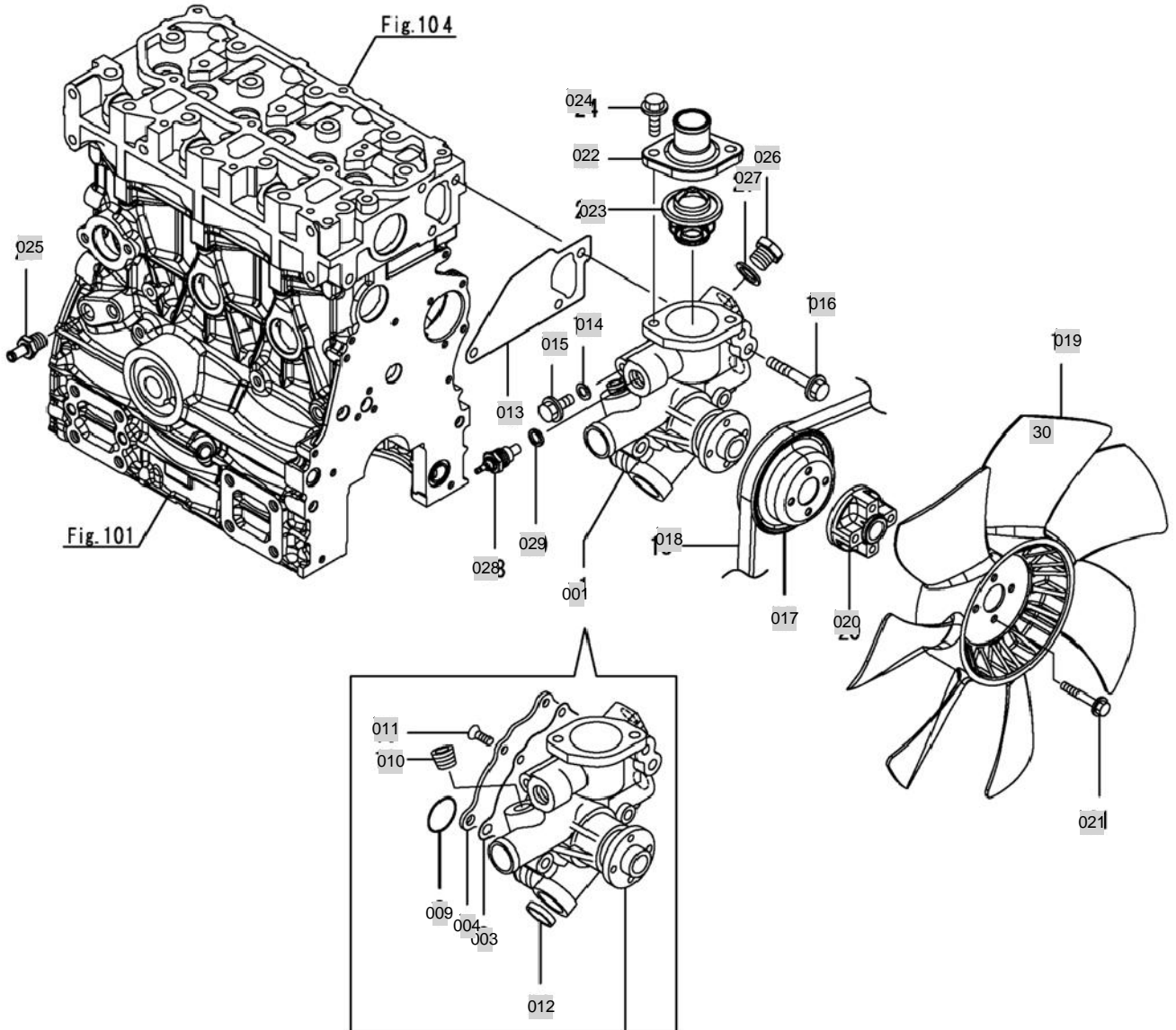
FIG 109

T254NC

COOLING WATER SYSTEM

년/월  
Year/Month

2020.07



NOTE





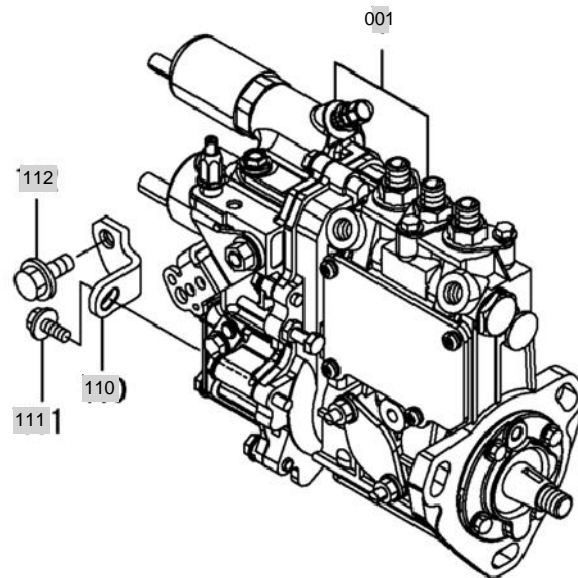
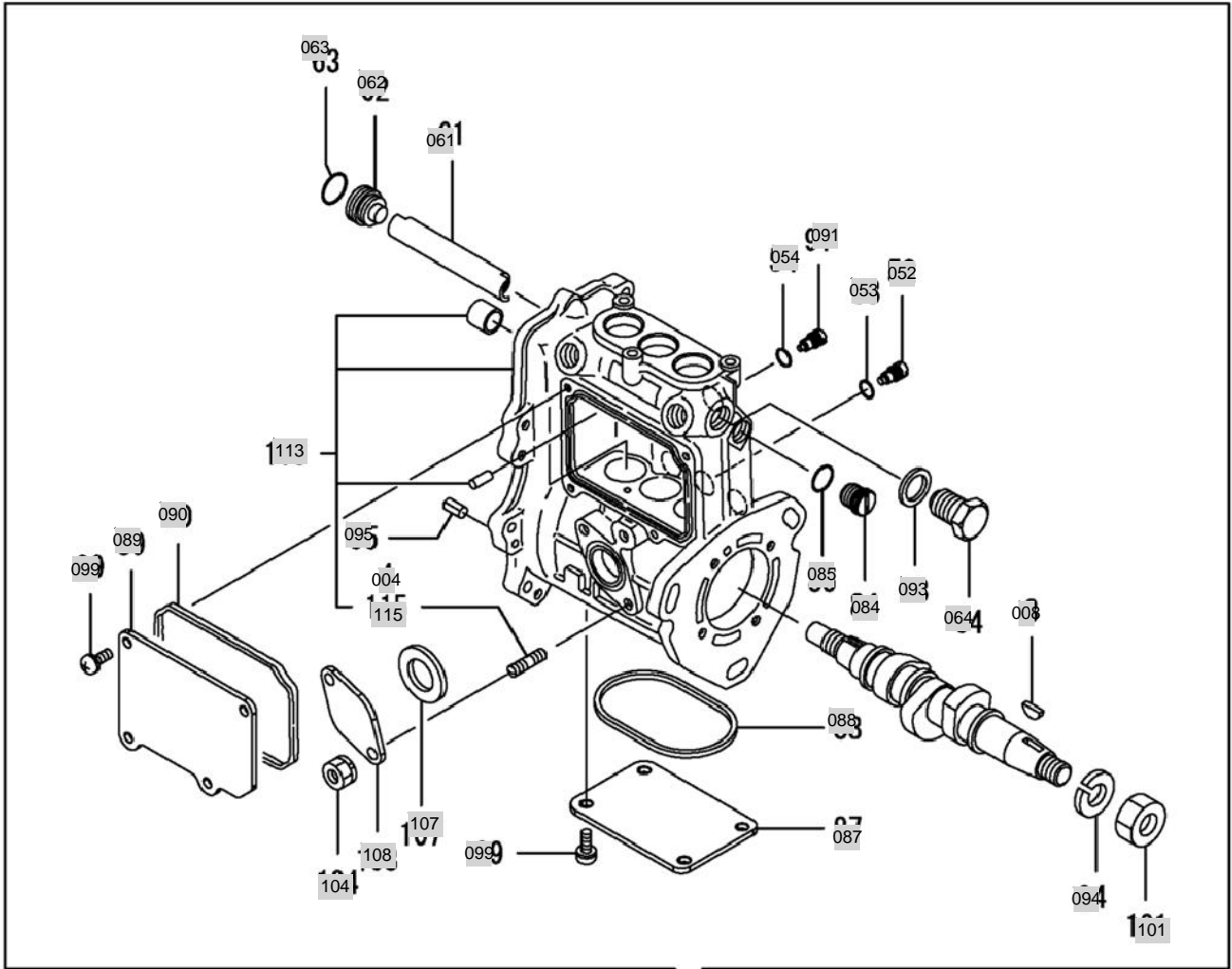
FIG 110

FUEL INJECTION PUMP

년/월  
Year/Month

2020.07

T254NC



NOTE



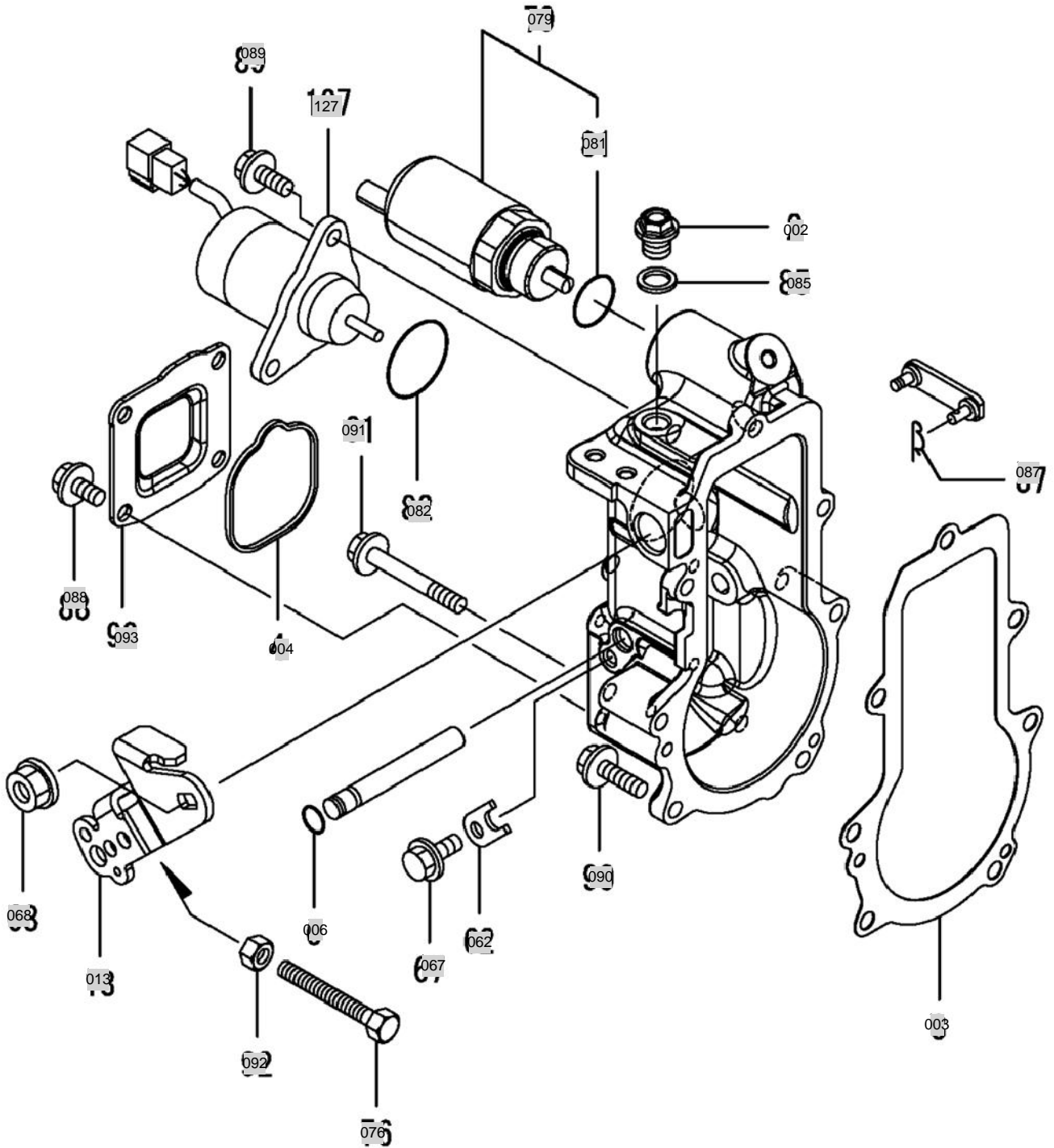
FIG 111

GOVERNOR

년/월  
Year/Month

2020.07

T254NC



NOTE



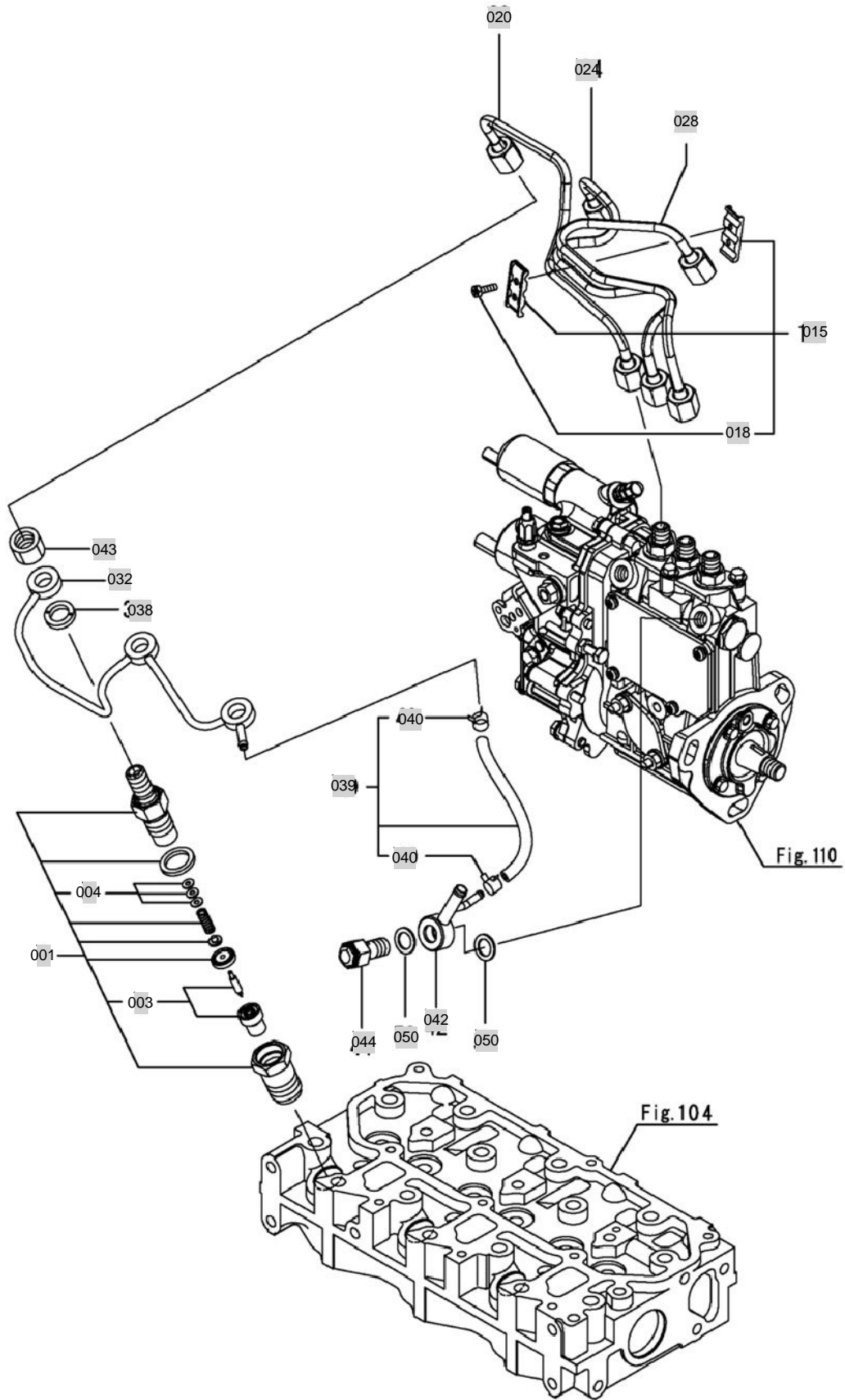
FIG 112

FUEL INJECTION VALVE

년/월  
Year/Month

2020.07

T254NC



NOTE









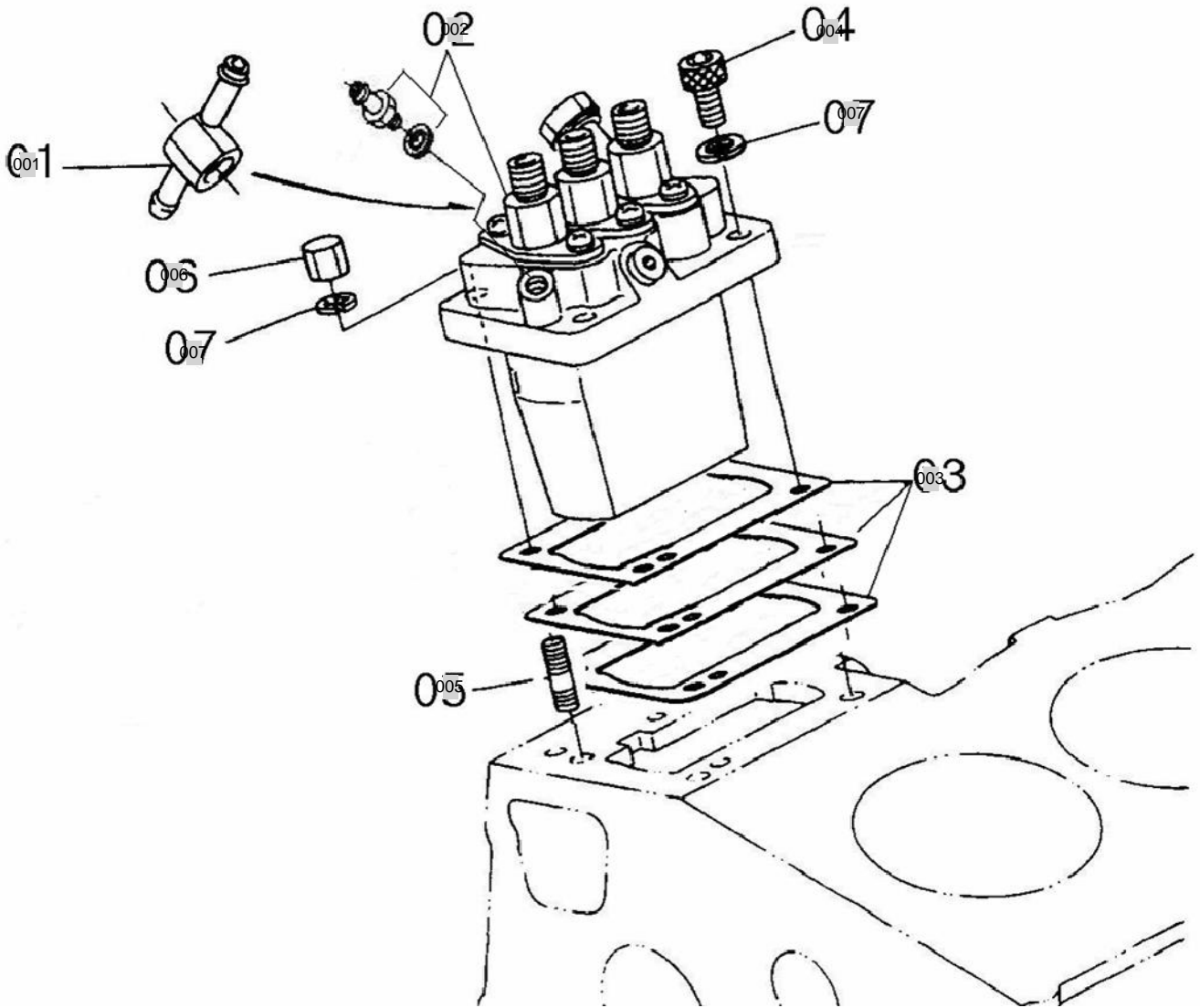
FIG 114

T254NC

FUEL INJECTION PUMP

년/월  
Year/Month

2020.07



NOTE

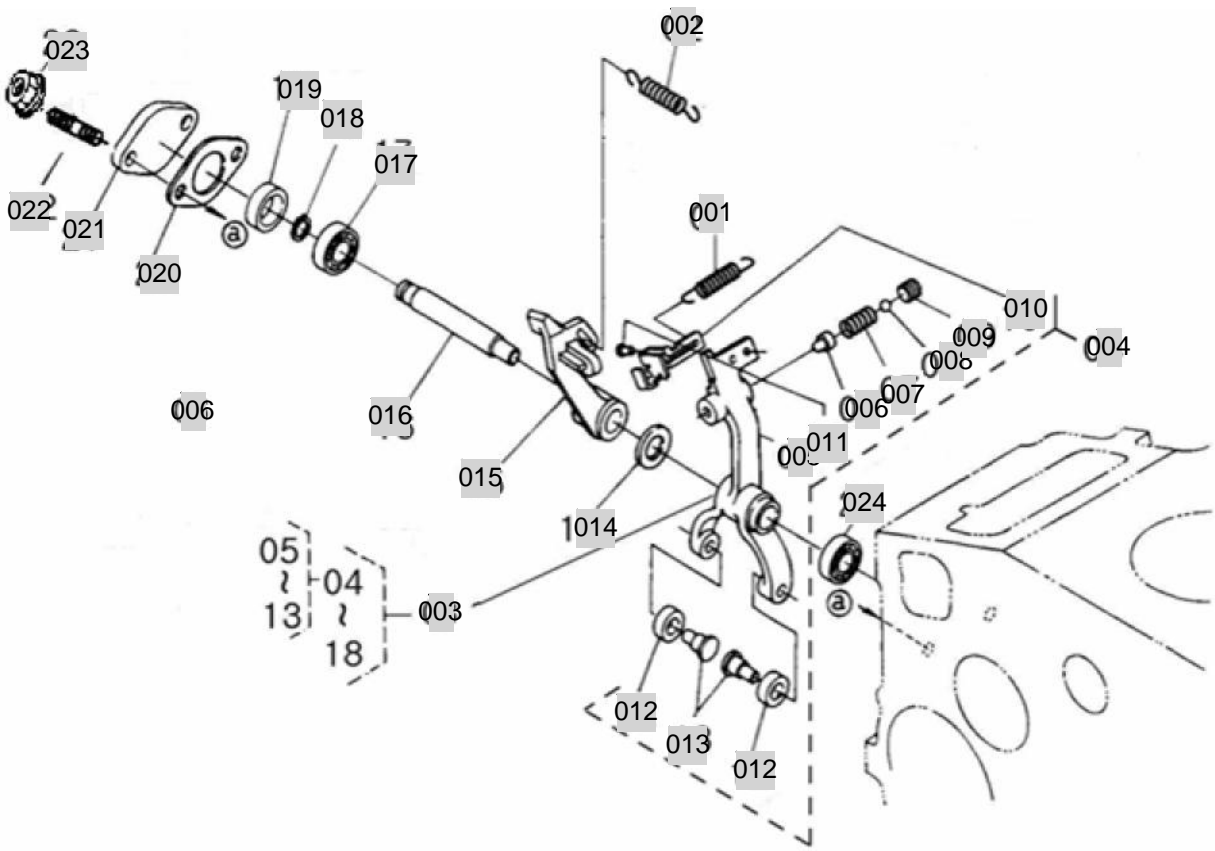


FIG 115

GOVERNOR

년/월  
Year/Month

2020.07



NOTE



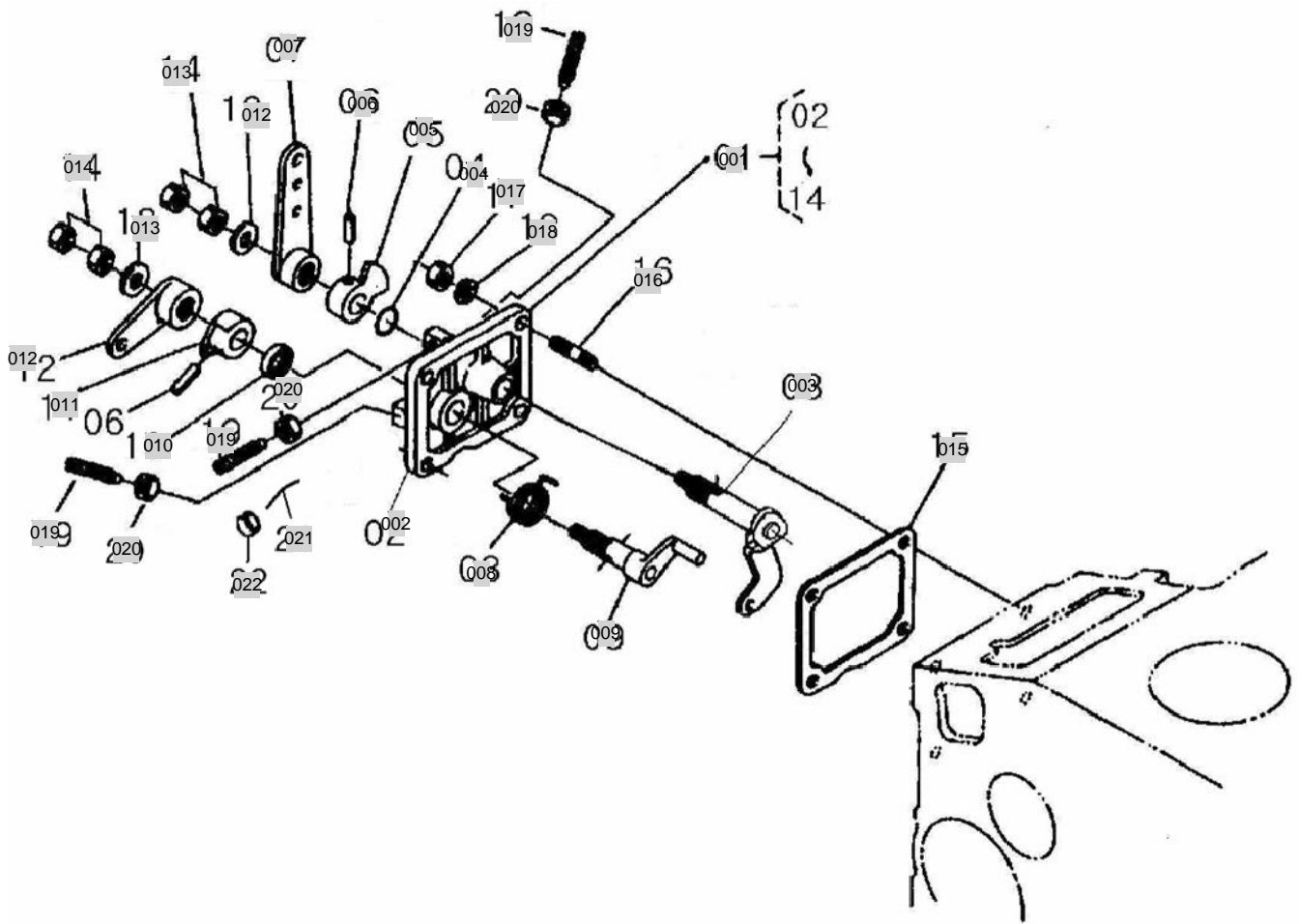
FIG 116

T254NC

SPEED CONTROLPLATE

년/월  
Year/Month

2020.07



NOTE



## Z. ENGINE ACCESSORIES & CONTROL PART NO.

### T254NC-C2

FIG 201 AIR CLEANER	41
FIG 202(1) RADIATOR(~2015.11.04)	43
FIG 202(2) RADIATOR(2015.11.05~)	45
FIG 203 MUFFLER	47
FIG 204 FUEL TANK & FUEL LINE	49
FIG 205 ACCELERATOR(2015.11.05~)	51
FIG 206 FUEL FILTER	53
FIG 207 ENGINE MOUNTING	55



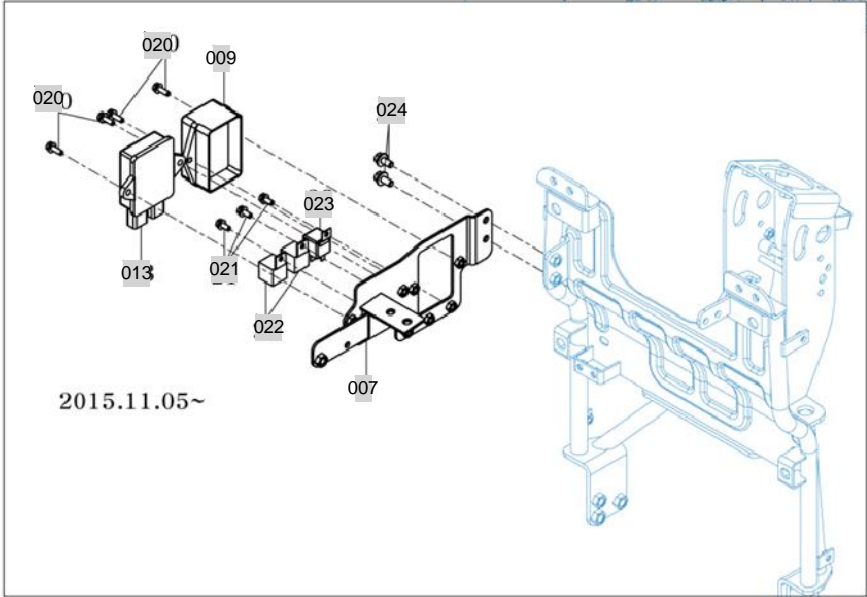
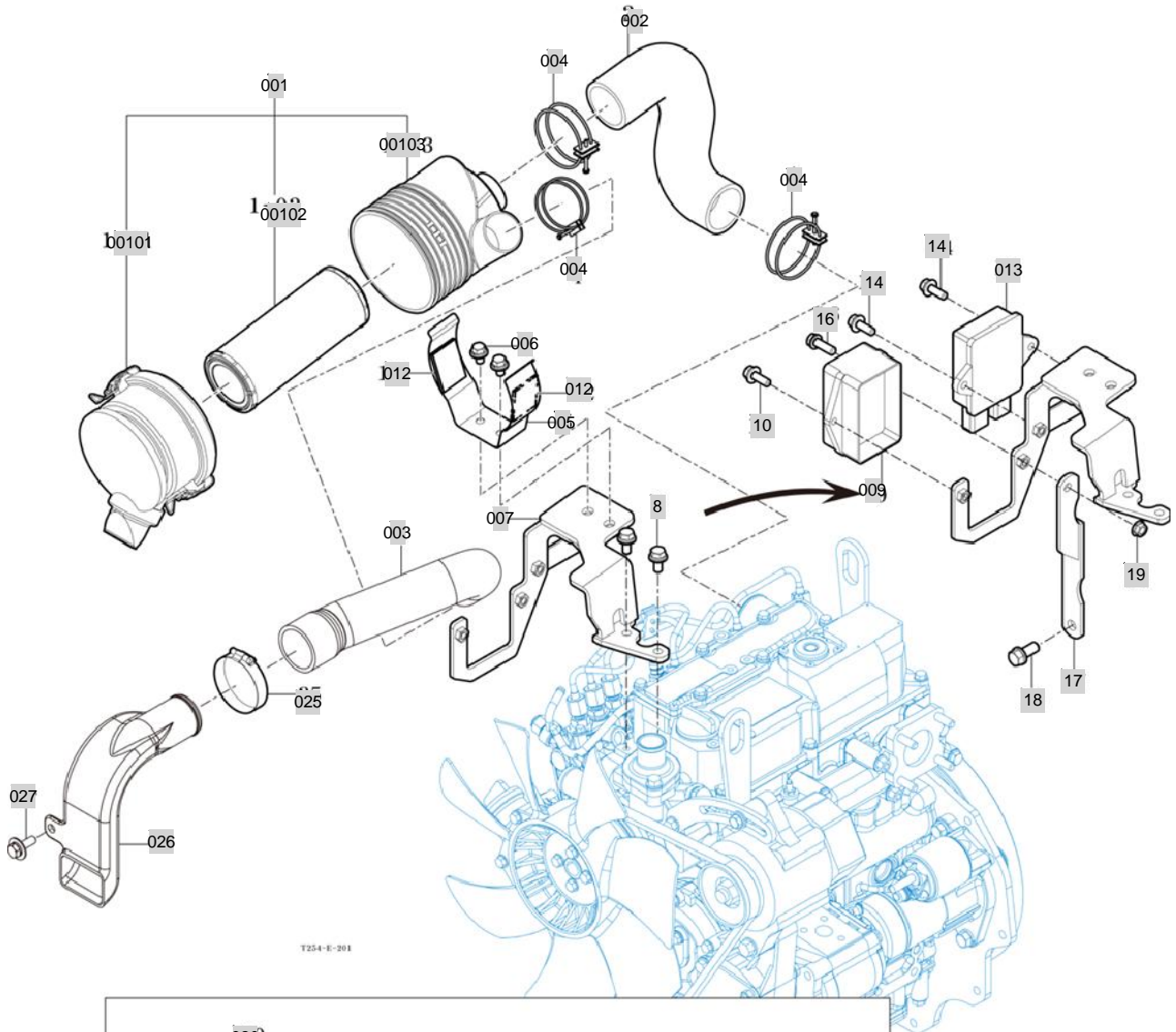
FIG 201

AIR CLEANER

년/월  
Year/Month

2020.07

T254NC



NOTE



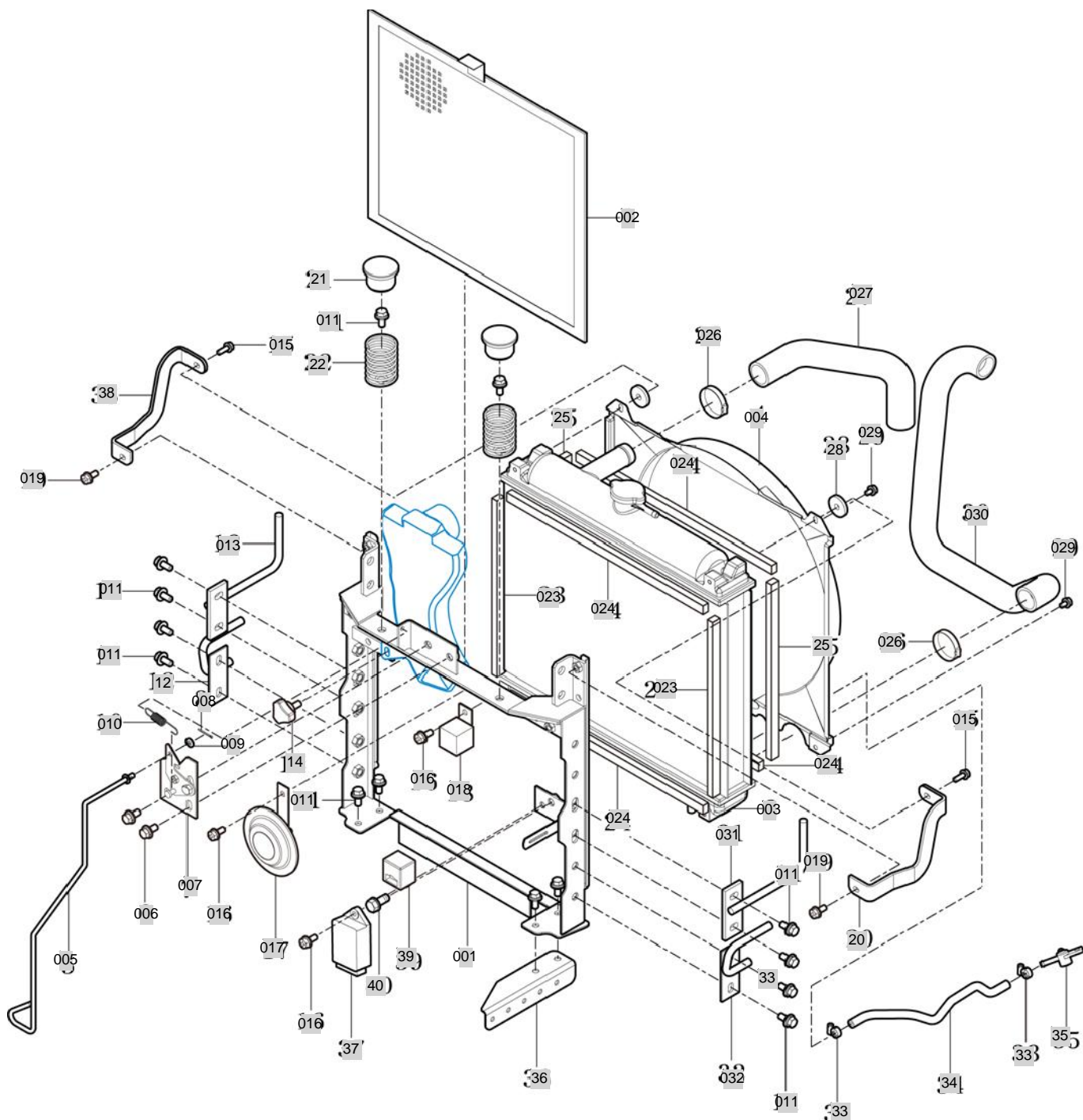
FIG 202(1)

RADIATOR(~2015.11.04)

년/월  
Year/Month

2020.07

T254NC



T254-E-202

NOTE



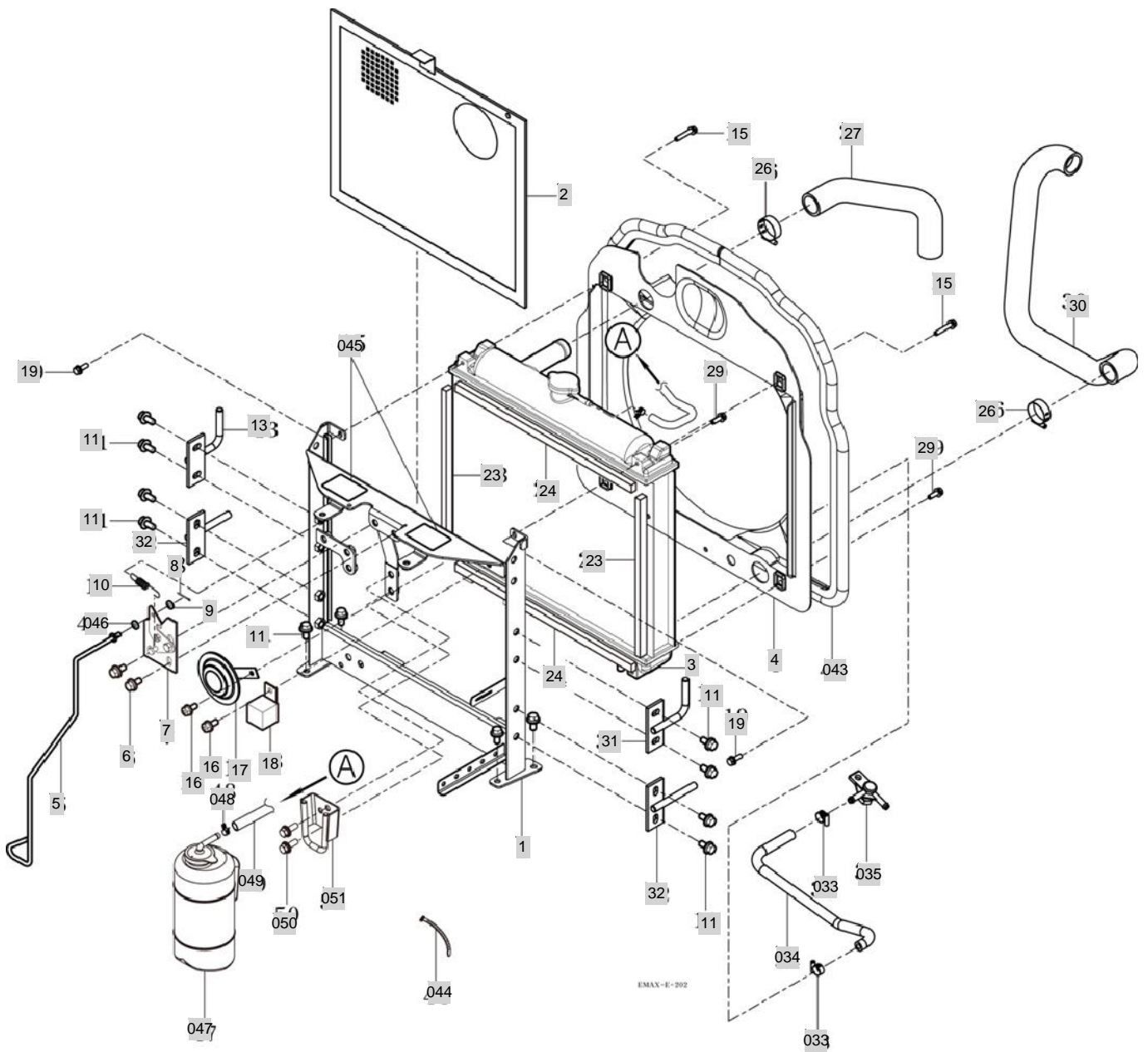
FIG 202(2)

RADIATOR(2015.11.05~)

년/월  
Year/Month

2020.07

T254NC



NOTE



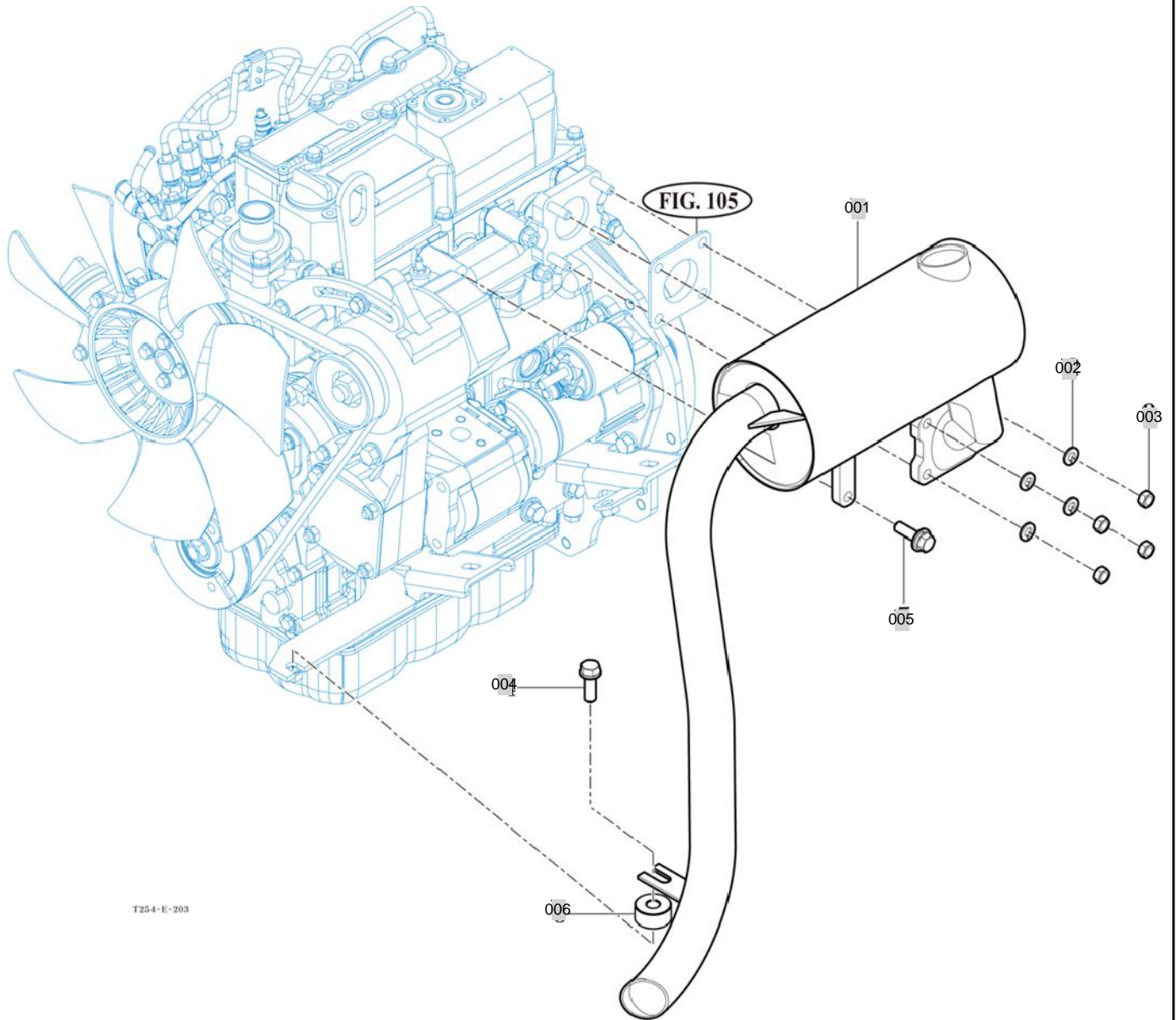
FIG 203

T254NC

MUFFLER

년/월  
Year/Month

2020.07



T254-E-203

NOTE





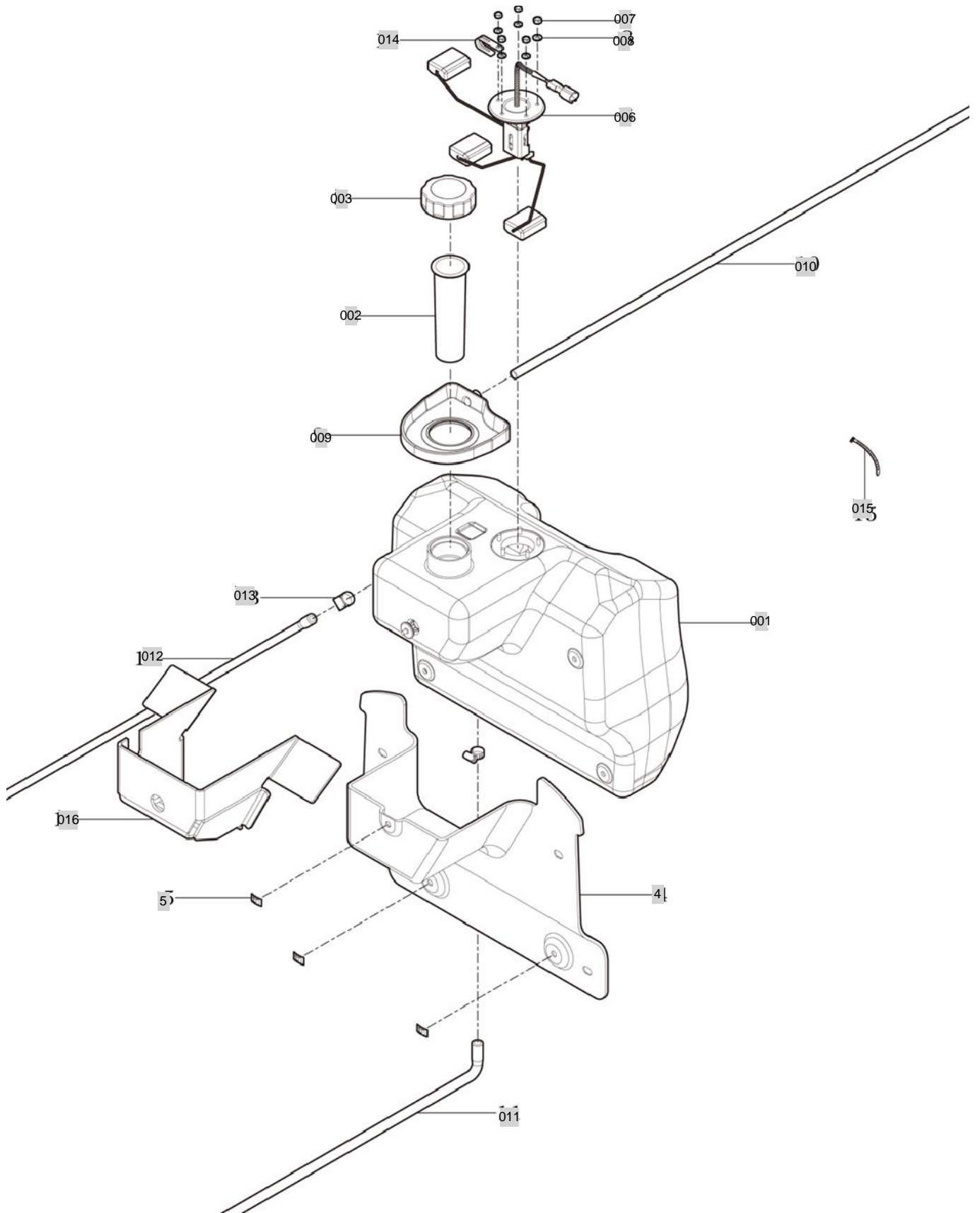
FIG 204

T254NC

FUEL TANK & FUEL LINE

년/월  
Year/Month

2020.07



NOTE



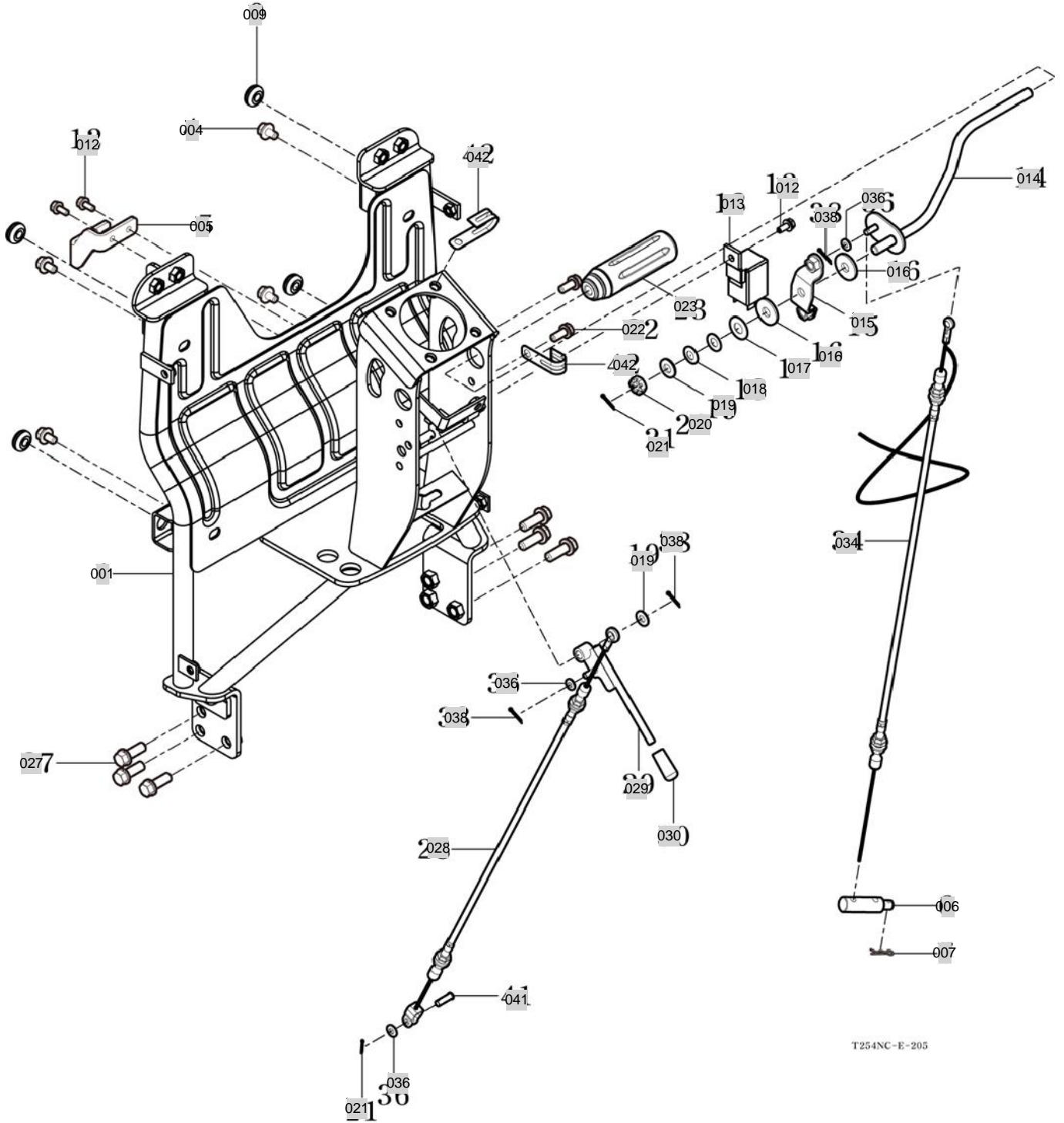
FIG 205

ACCELERATOR(2015.11.05~)

년/월  
Year/Month

T254NC

2020.07



T254NC-E-205

NOTE



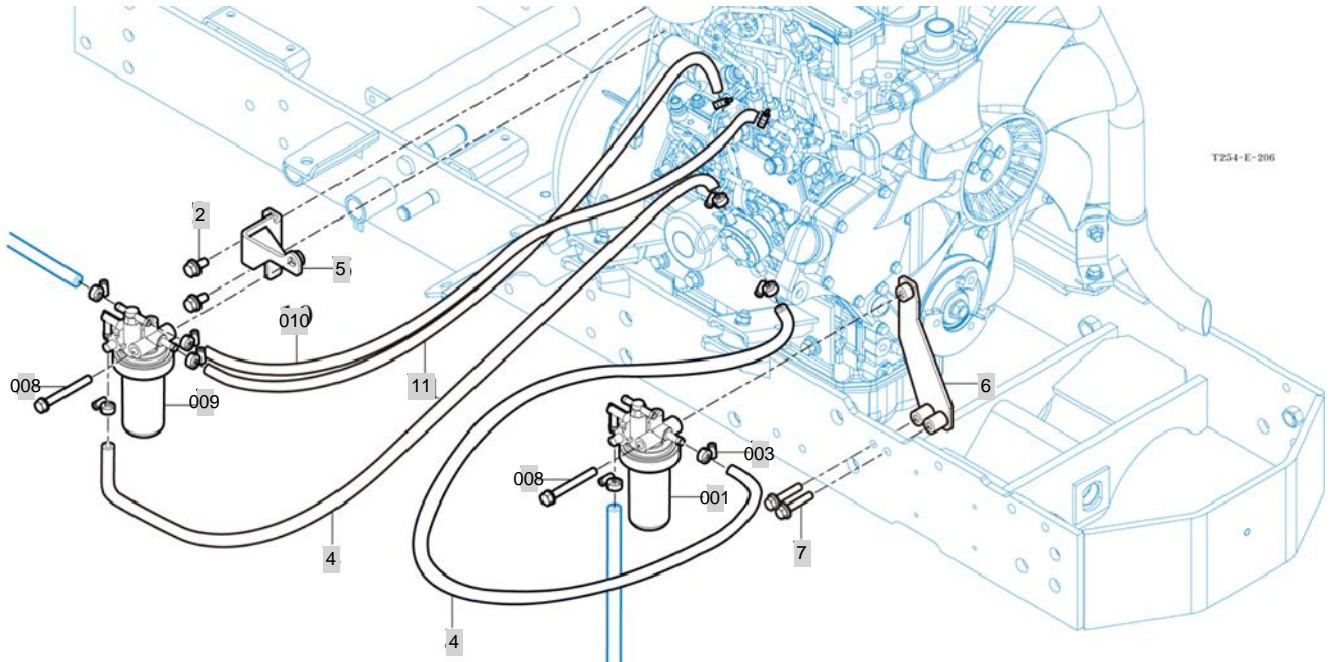
FIG 206

FUEL FILTER

년/월  
Year/Month

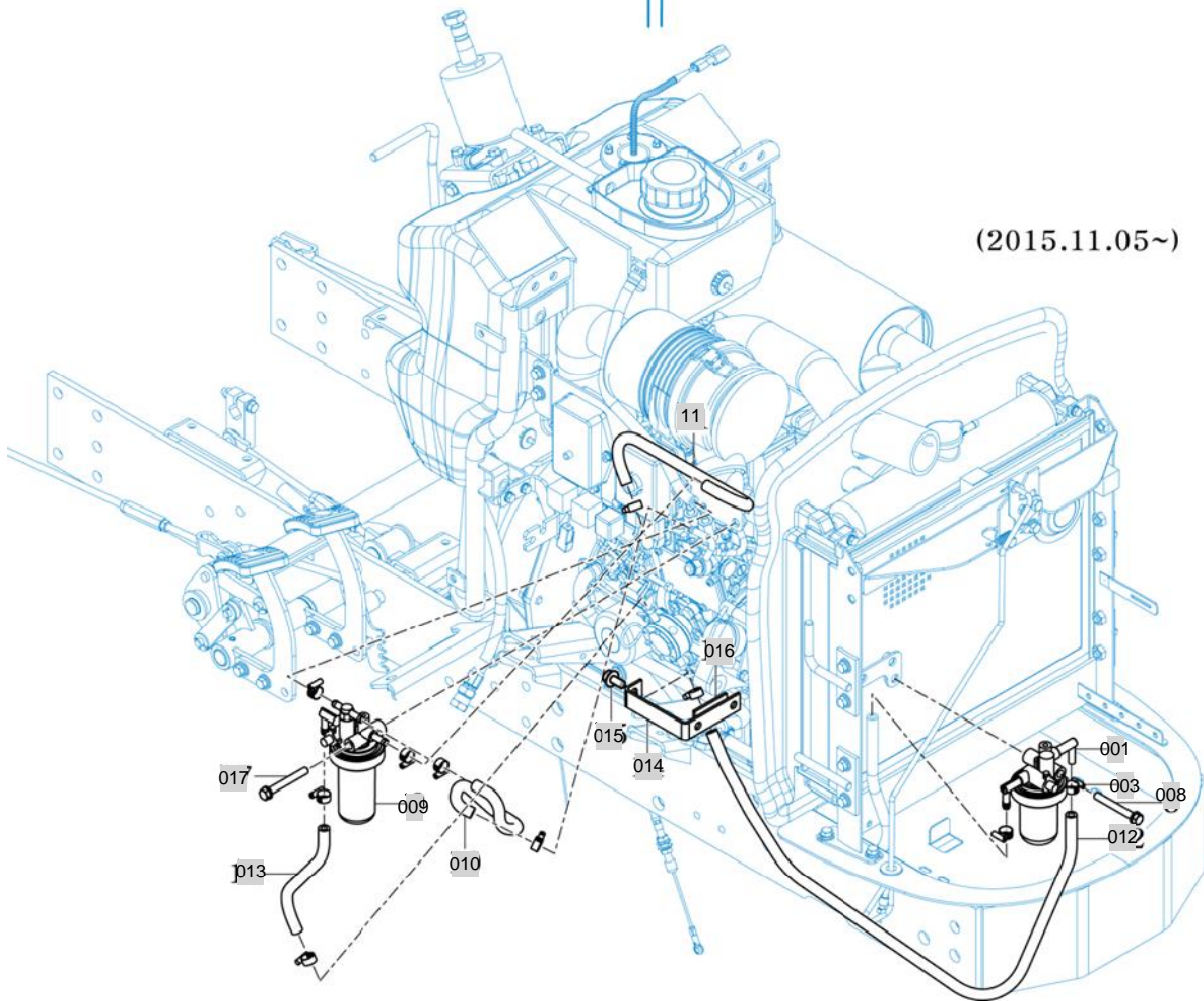
T254NC

2020.07



(~2015.11.04)

(2015.11.05~)



NOTE



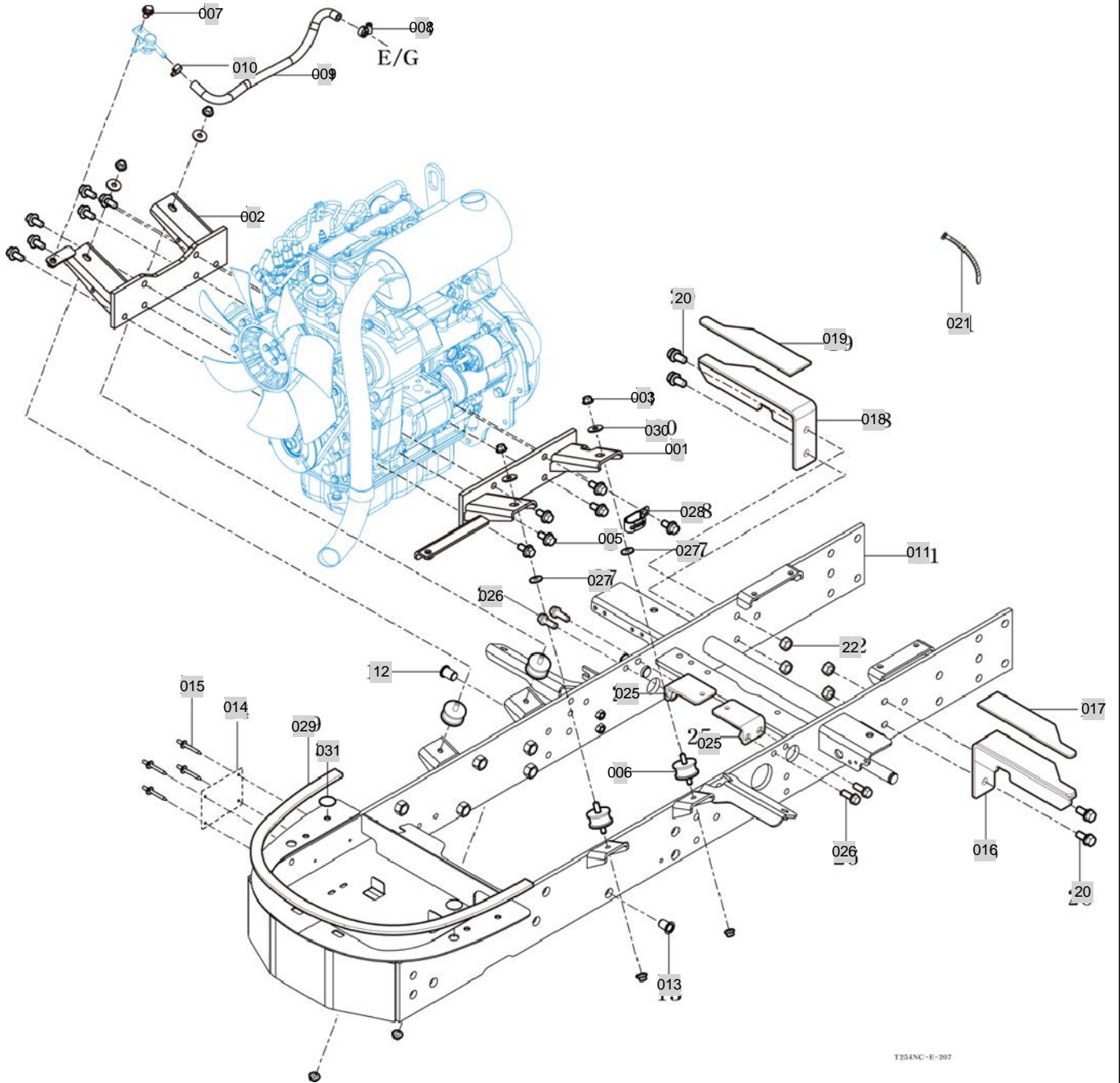
FIG 207

ENGINE MOUNTING

년/월  
Year/Month

2020.07

T254NC



T254NC-E-207

NOTE





### 3. CLUTCH,BRAKE,STEERING PART NO. T254NC-C3

FIG 301 FLYWHEEL COVER	58
FIG 302 BRAKE	60
FIG 303 CLUTCH,BRAKE PEDAL & LINKAGE	62
FIG 304 ACCELERATOR PEDAL & CABLE	64
FIG 305 DASH COVER	66
FIG 306 STEERING VALVE	68
FIG 307 STEERING CYLINDER	70
FIG 308 STEERING WHEEL	72
FIG 309 TIRE	74

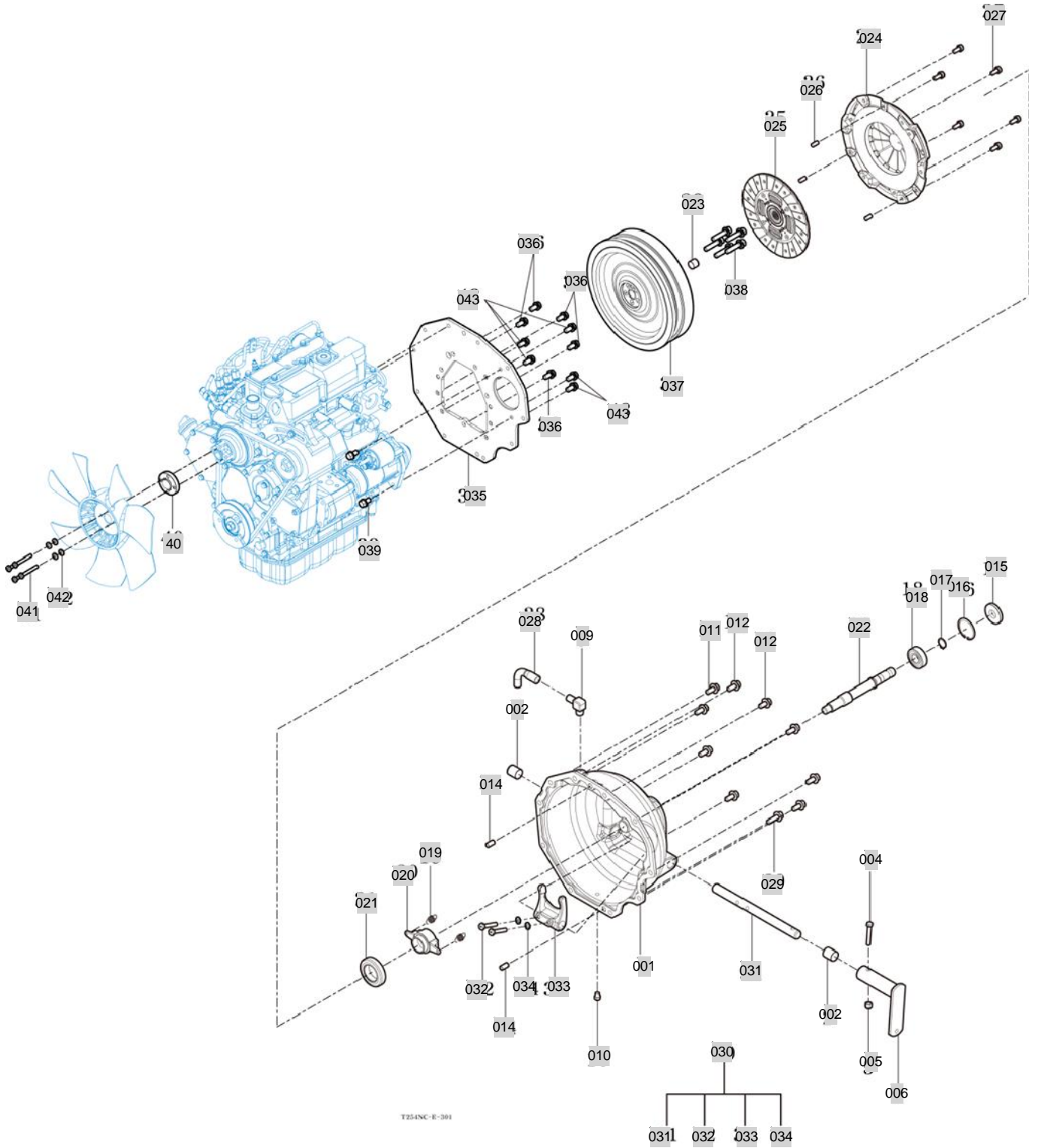
FIG 301

T254NC

FLYWHEEL COVER

년/월  
Year/Month

2020.07



NOTE



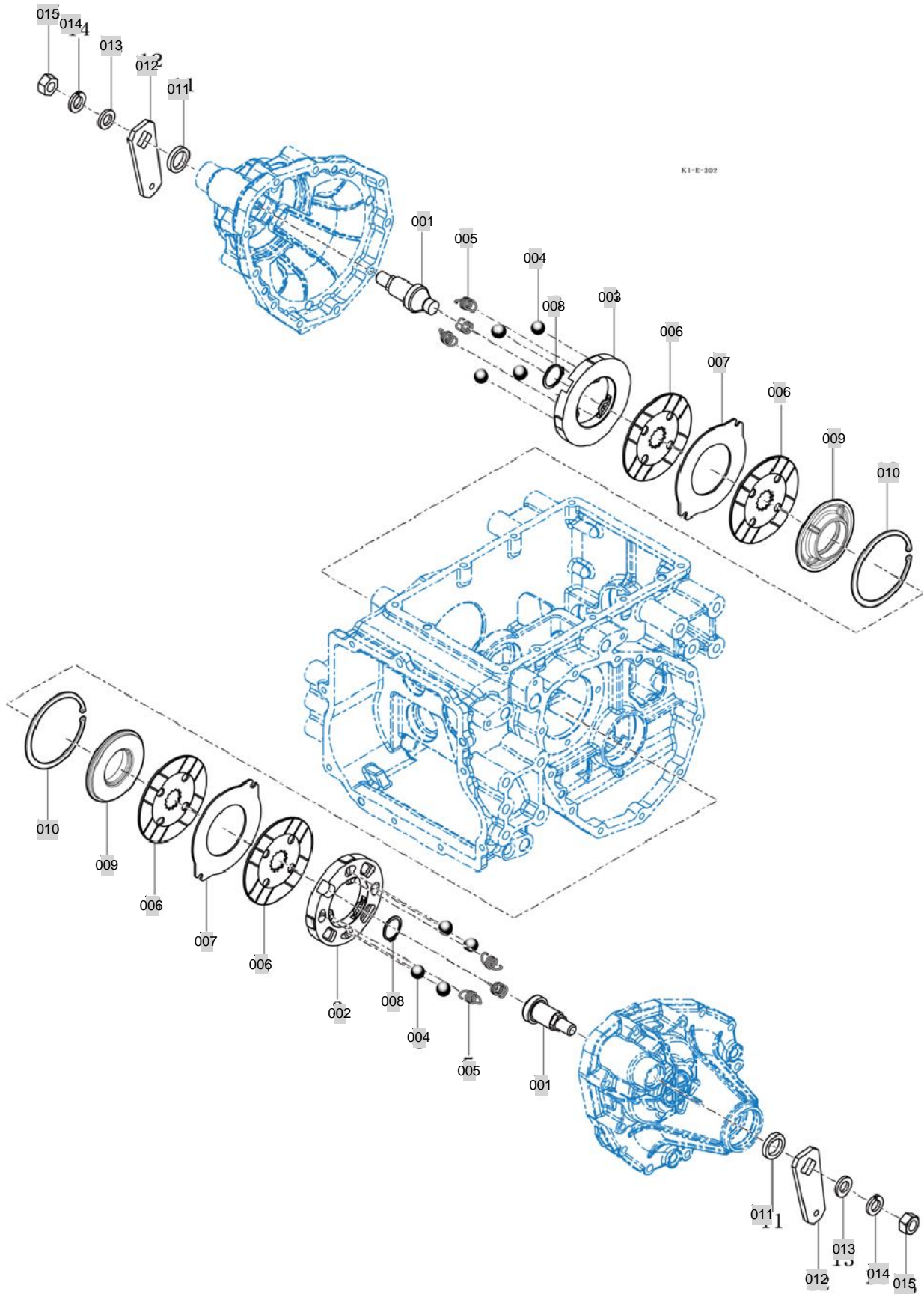
FIG 302

BRAKE

년/월  
Year/Month

T254NC

2020.07



NOTE

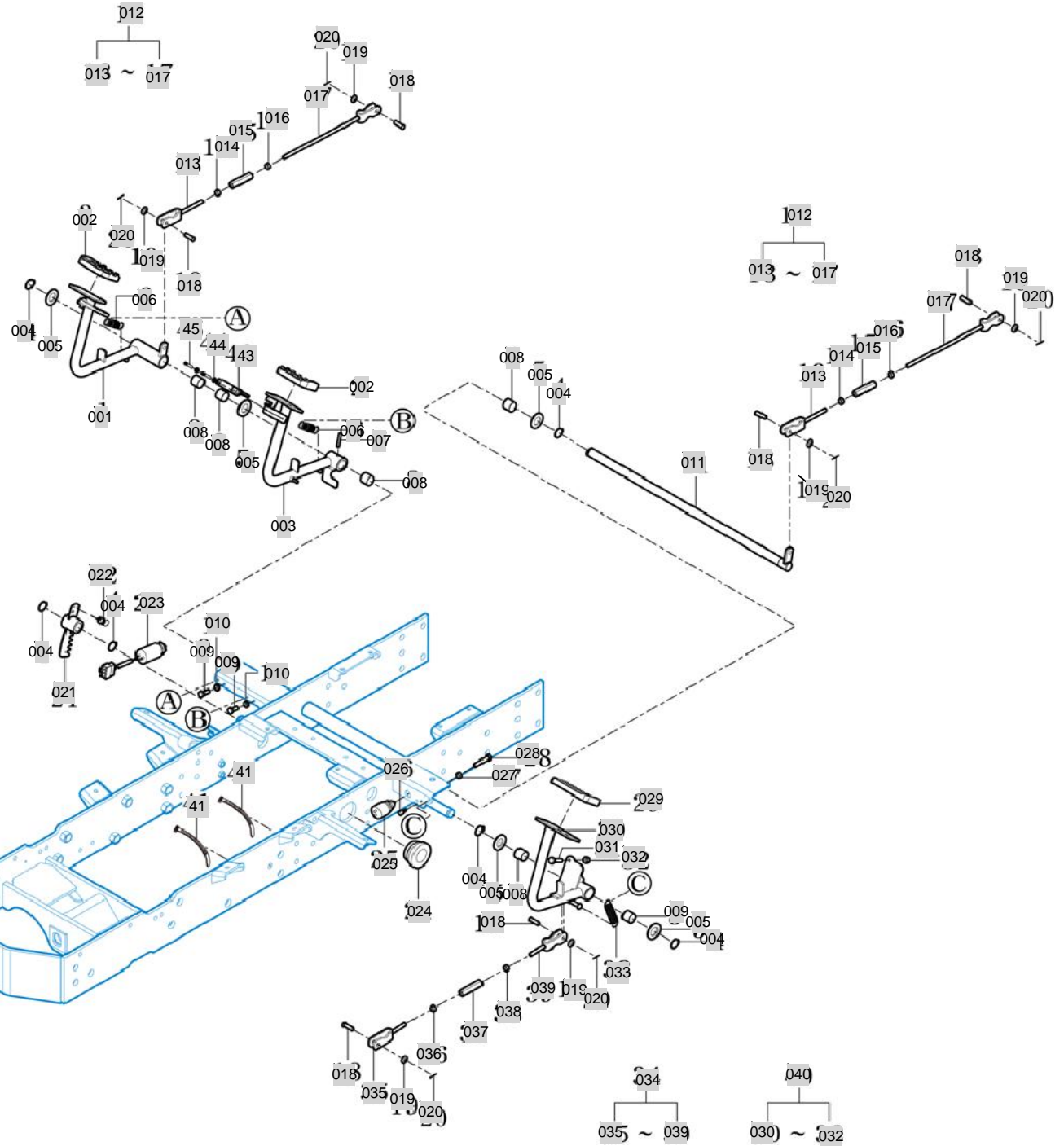


FIG 303

CLUTCH, BRAKE PEDAL & LINKAGE

년/월  
Year/Month

2020.07



NOTE



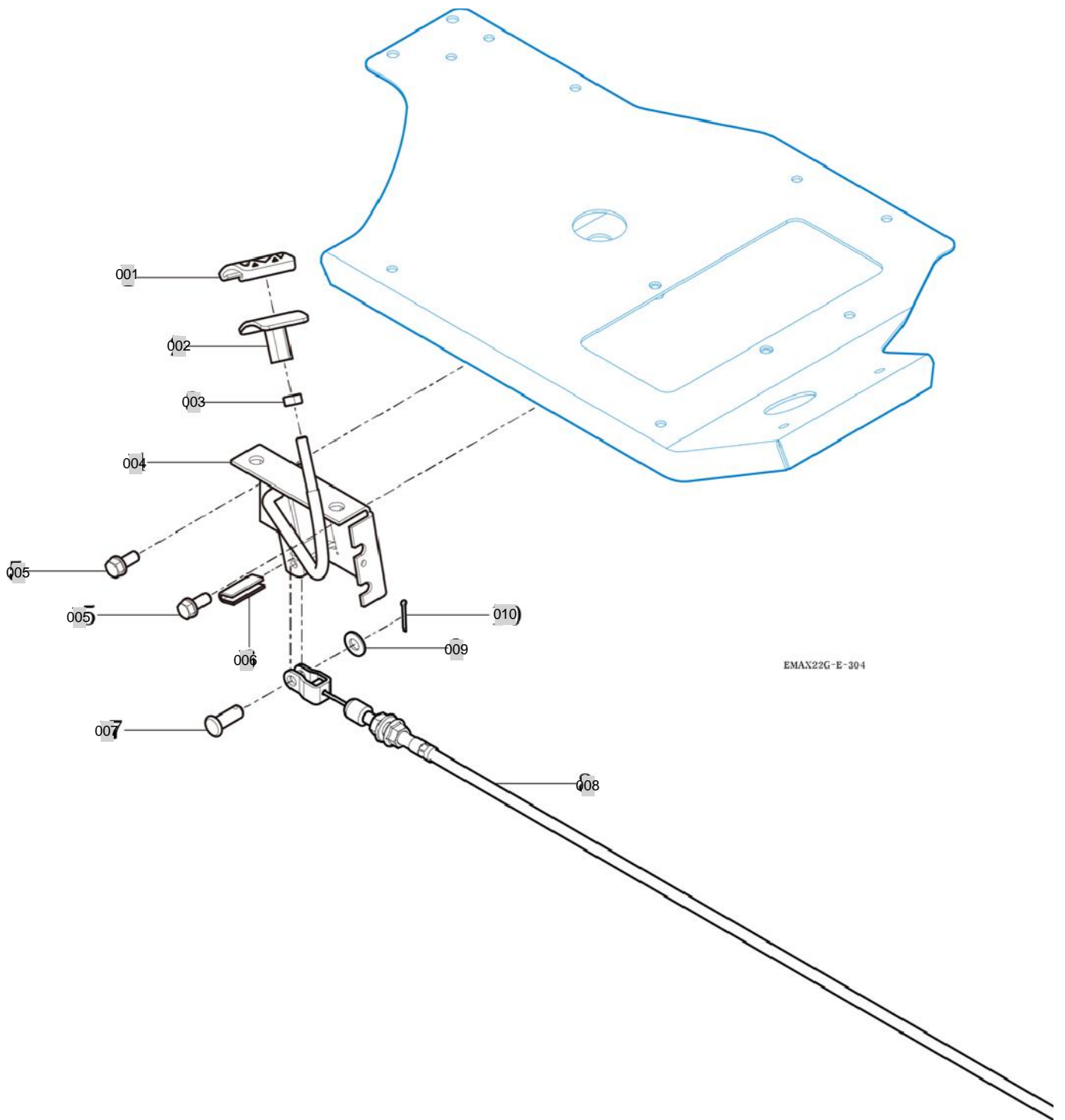
FIG 304

T254NC

ACCELERATOR PEDAL & CABLE

년/월  
Year/Month

2020.07



EMAN22G-E-304

NOTE





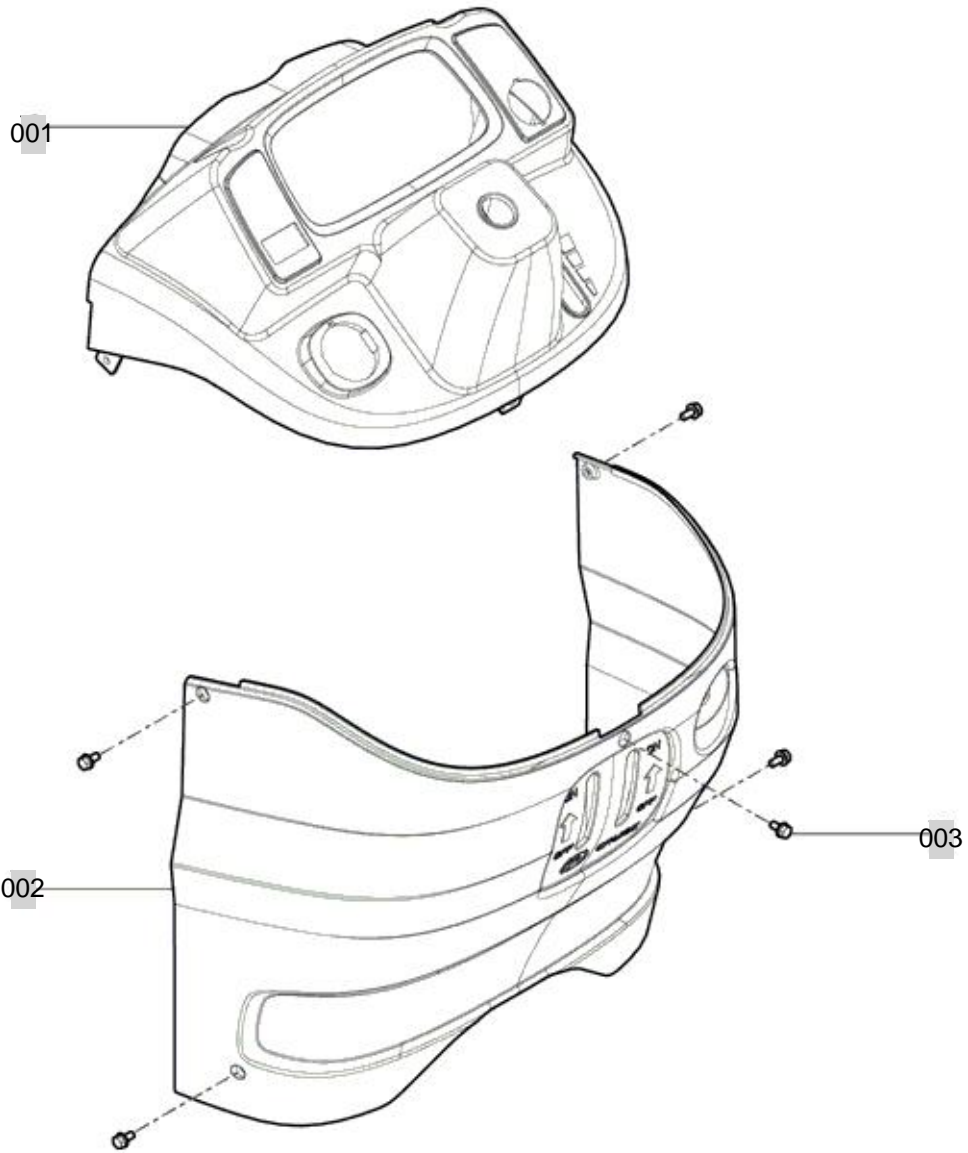
FIG 305

DASH COVER

년/월  
Year/Month

2020.07

T254NC



NOTE



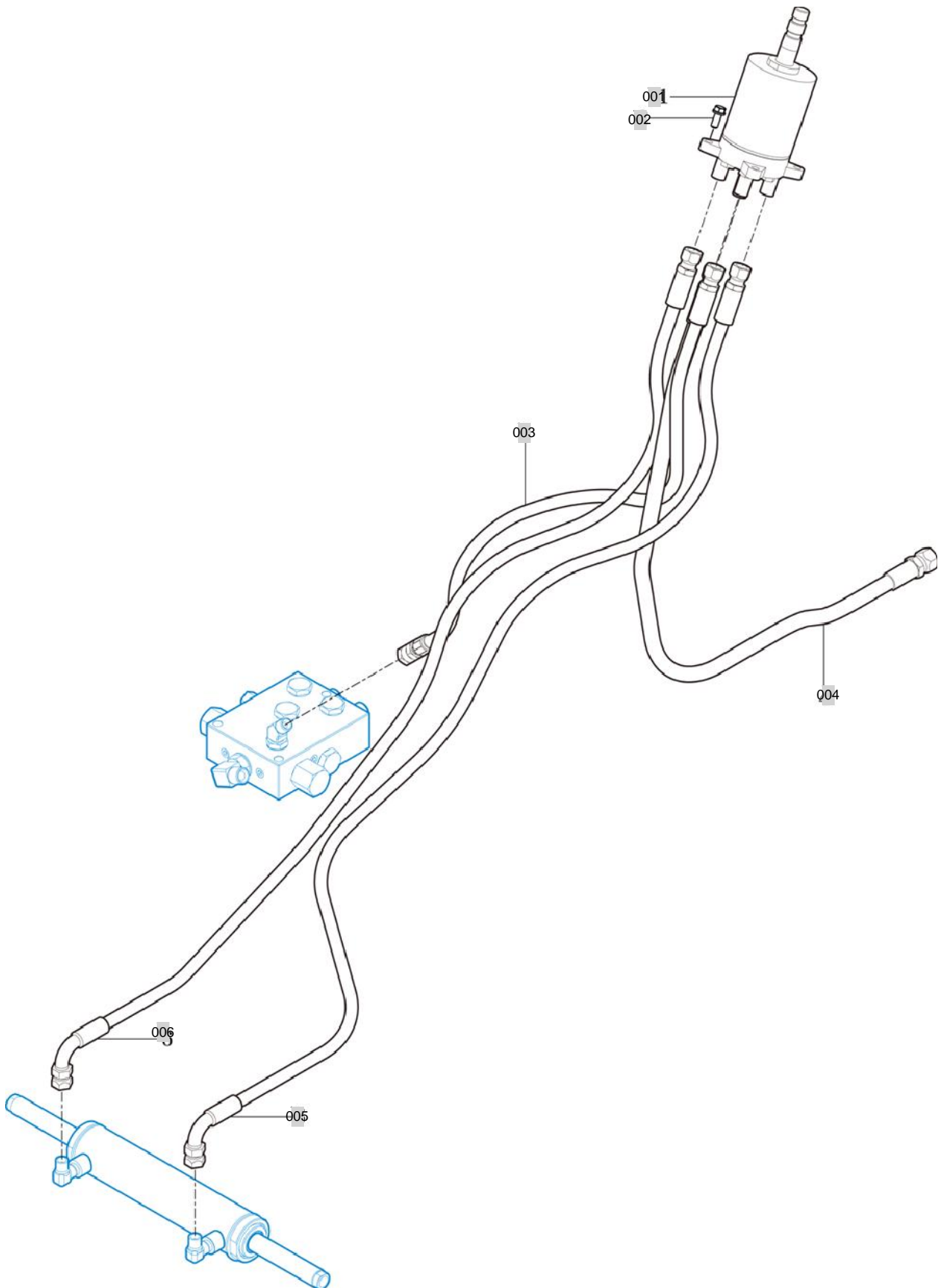
FIG 306

STEERING VALVE

년/월  
Year/Month

T254NC

2020.07



NOTE







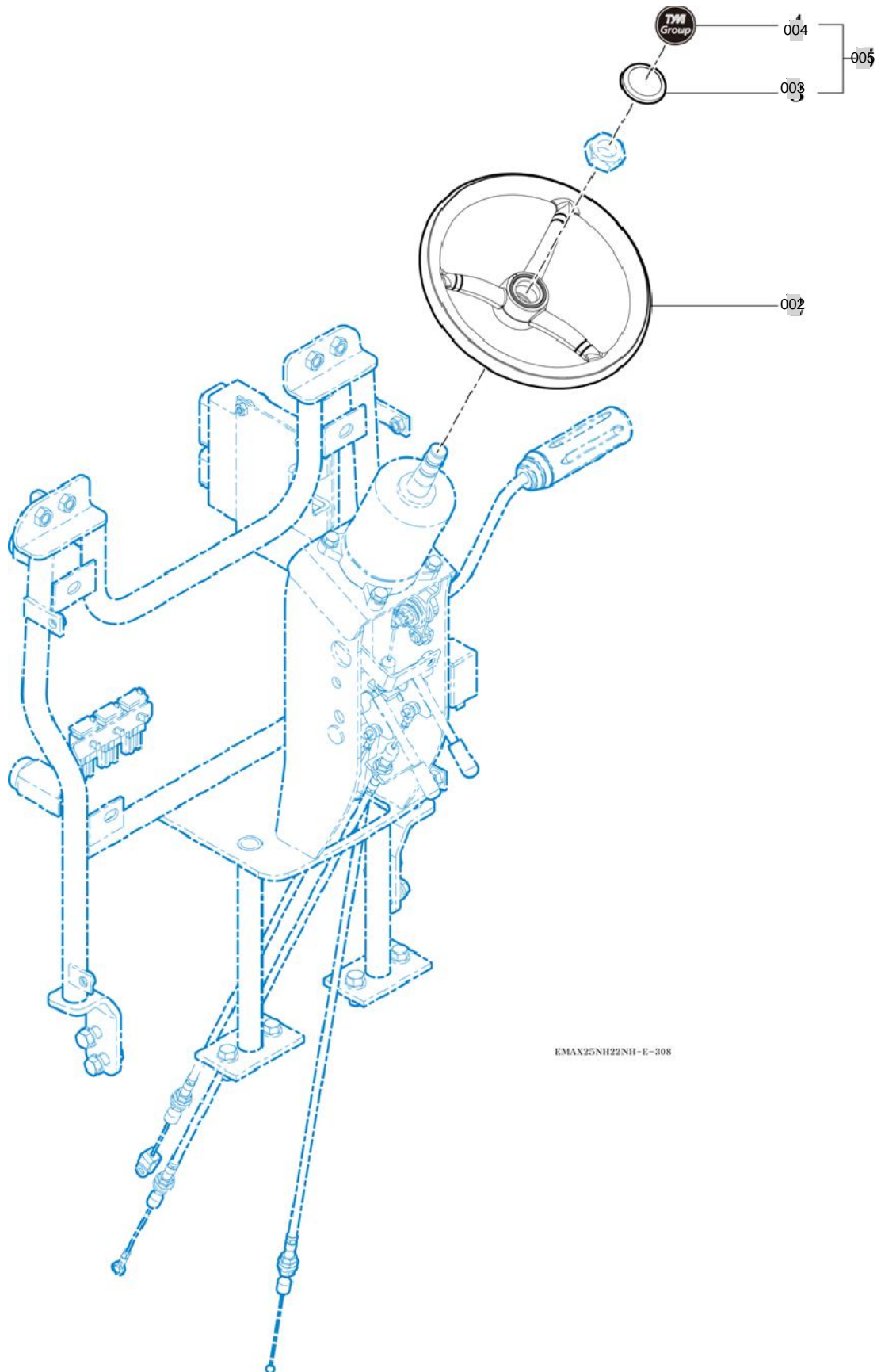
FIG 308

STEERING WHEEL

년/월  
Year/Month

T254NC

2020.07



EMAX25NH22NH-E-308

NOTE





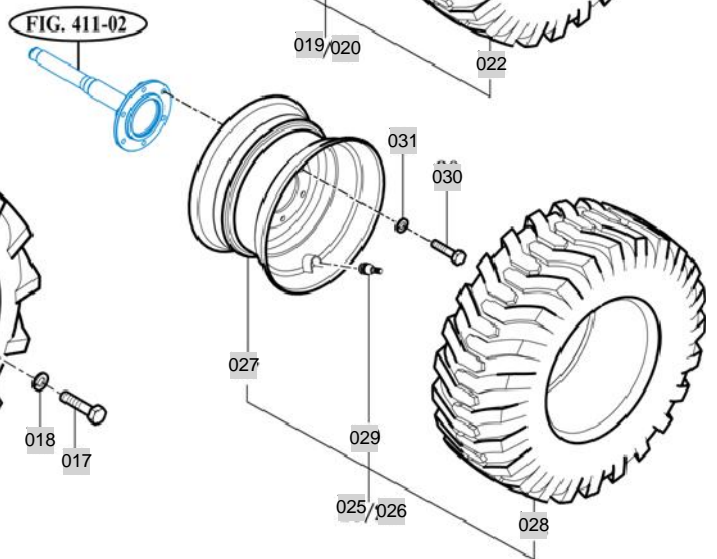
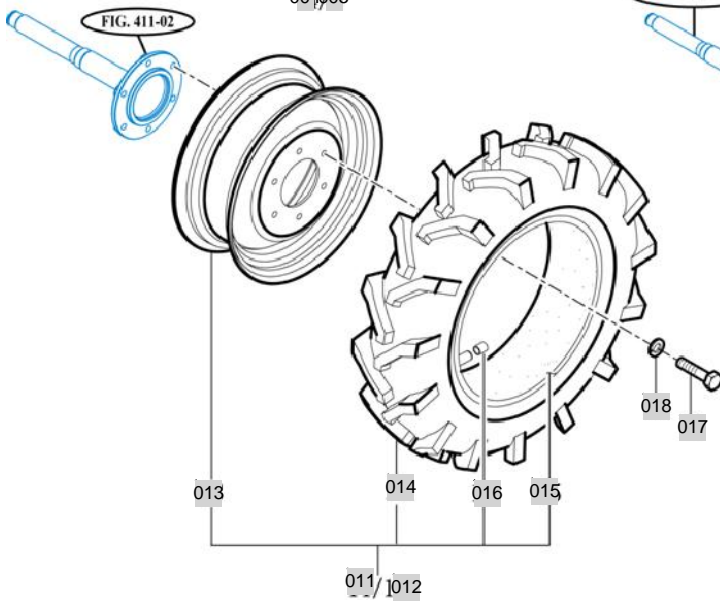
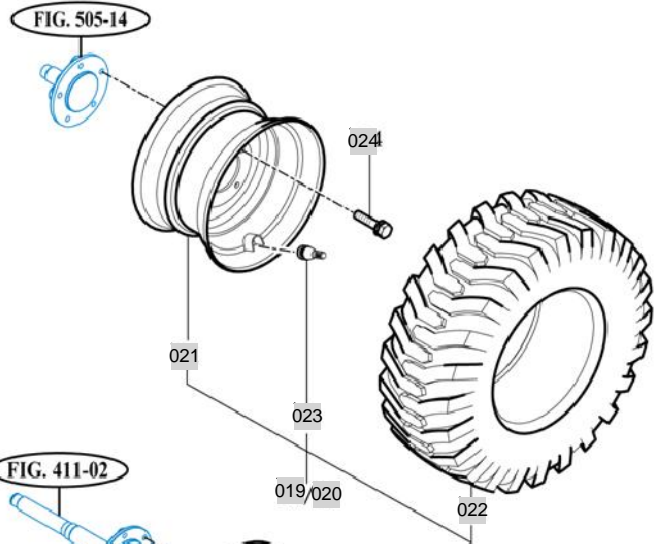
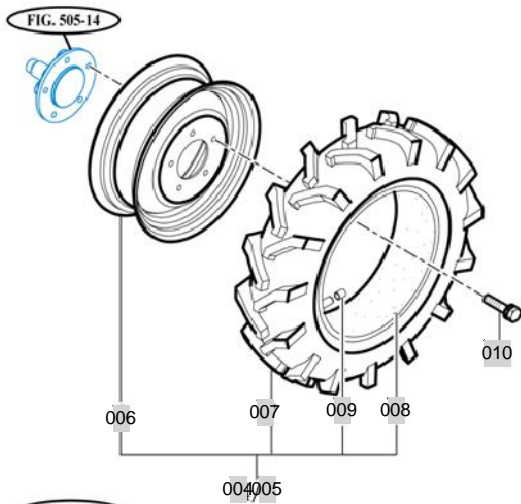
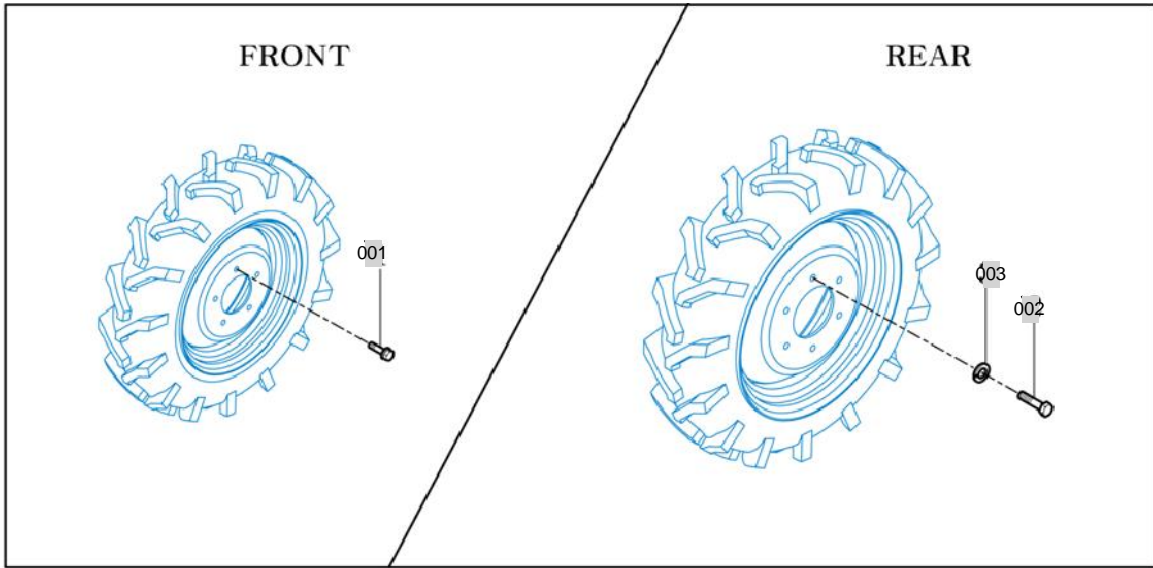
FIG 309

TIRE

년/월  
Year/Month

T254NC

2020.07



T254NC-309

NOTE



## 4. TRANSMISSION & REAR AXLE PART NO. T254NC-C4

FIG 401 INPUT SHAFT	77
FIG 402 INPUT GEAR	79
FIG 403 MAIN SHIFT GEAR	81
FIG 404 RANGE GEAR	83
FIG 405 4WD DRIVE GEAR	85
FIG 406 P.T.O DRIVE SHAFT	87
FIG 407 P.T.O SHAFT	89
FIG 408 MID P.T.O GEAR	91
FIG 409 DIFF LOCK	93
FIG 410 MID TRANSMISSION CASE	95
FIG 411 REAR TRANSMISSION CASE	97
FIG 412 REAR AXLE HOUSING	99
FIG 413 MAIN SHIFT LEVER	101
FIG 414 RANGE SHIFT LEVER	103
FIG 415 P.T.O CHANGE LEVER	105
FIG 416 4WD CHANGE LEVER	107
FIG 417 TRANSMISSION MOUNTING	109

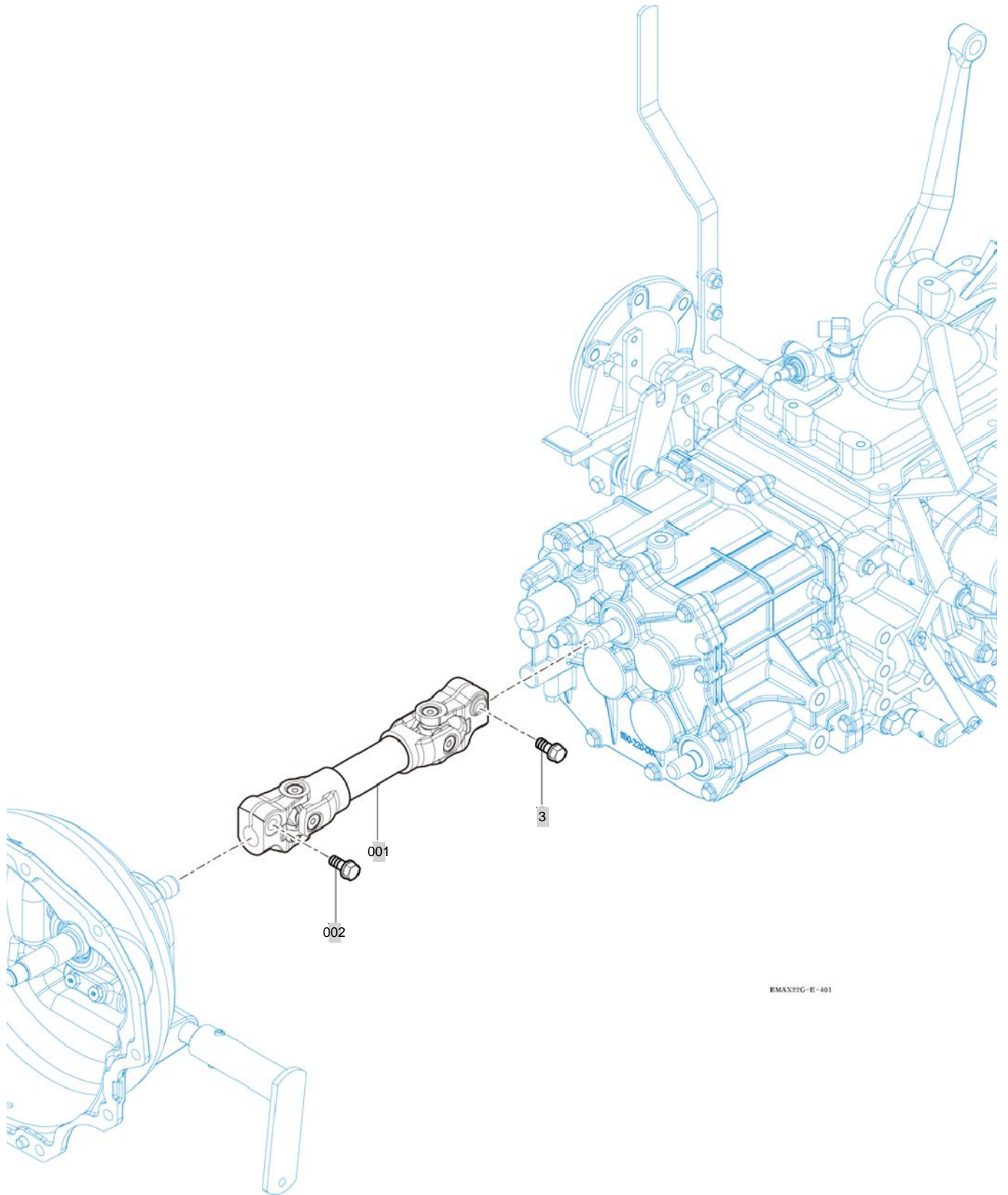
FIG 401

T254NC

INPUT SHAFT

년/월  
Year/Month

2020.07



EMAX22G-E-401

NOTE



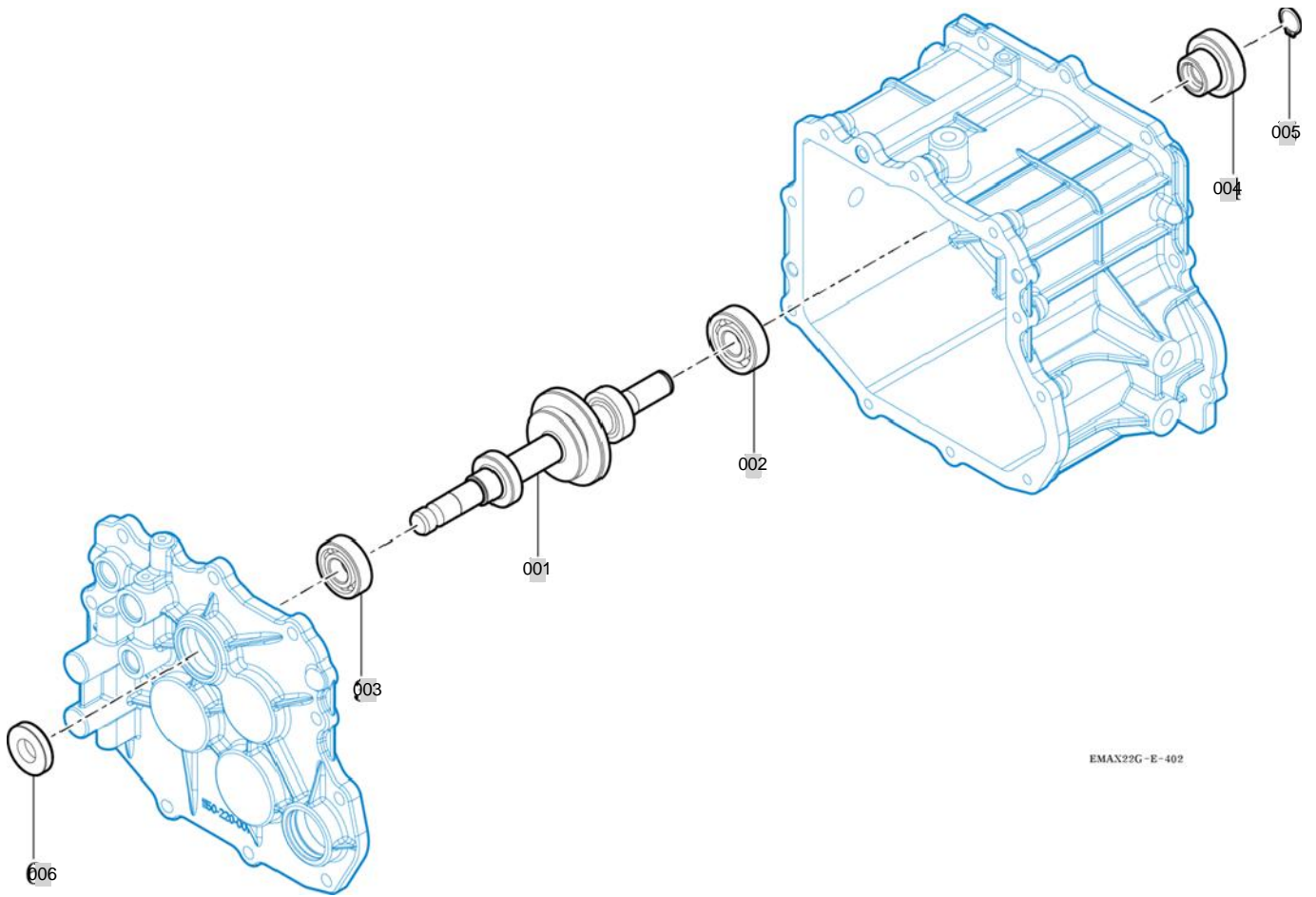
FIG 402

INPUT GEAR

년/월  
Year/Month

T254NC

2020.07



EMAX22G-E-402

NOTE





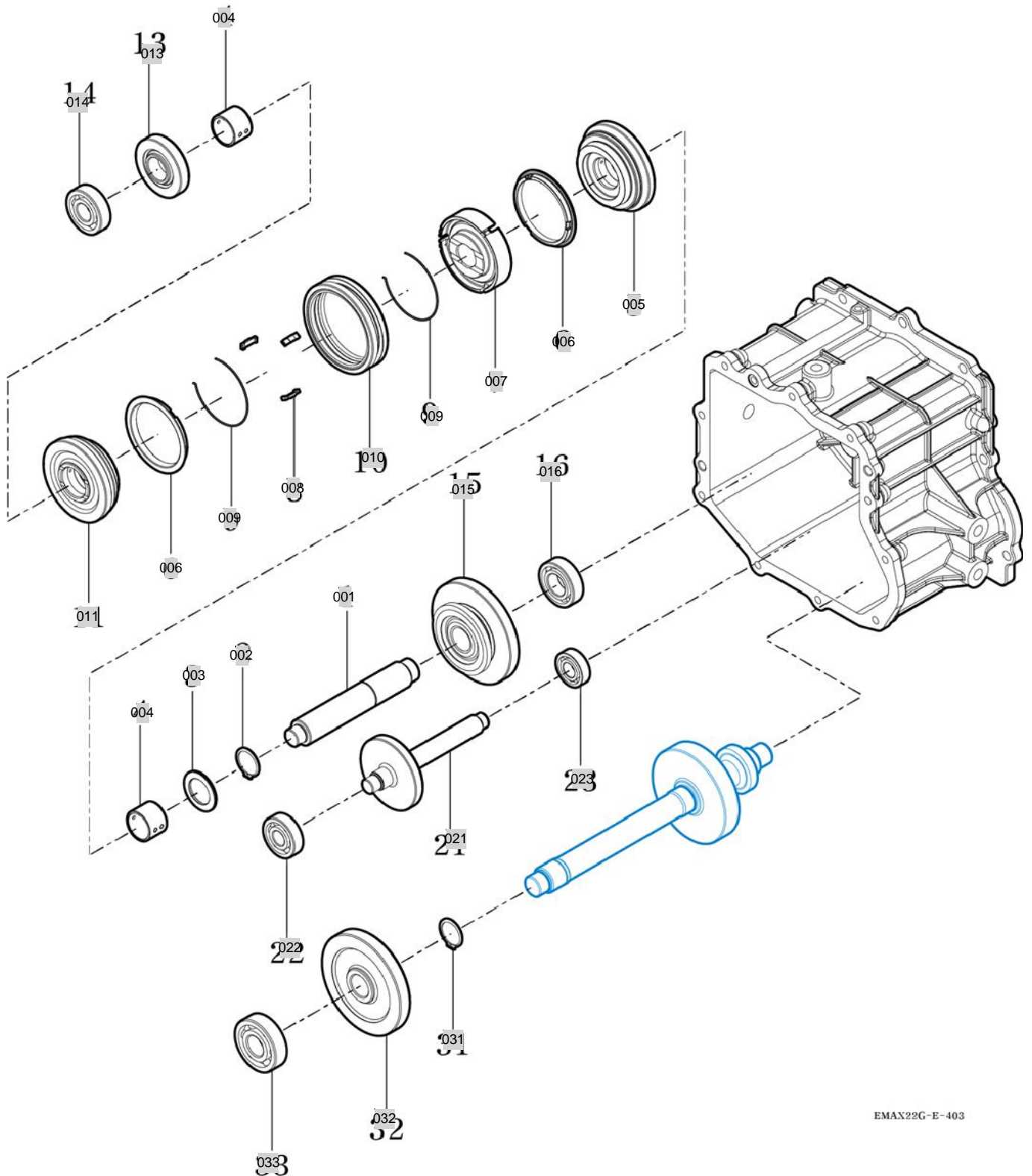
FIG 403

MAIN SHIFT GEAR

년/월  
Year/Month

2020.07

T254NC



EMAX22G-E-403

NOTE



FIG 404

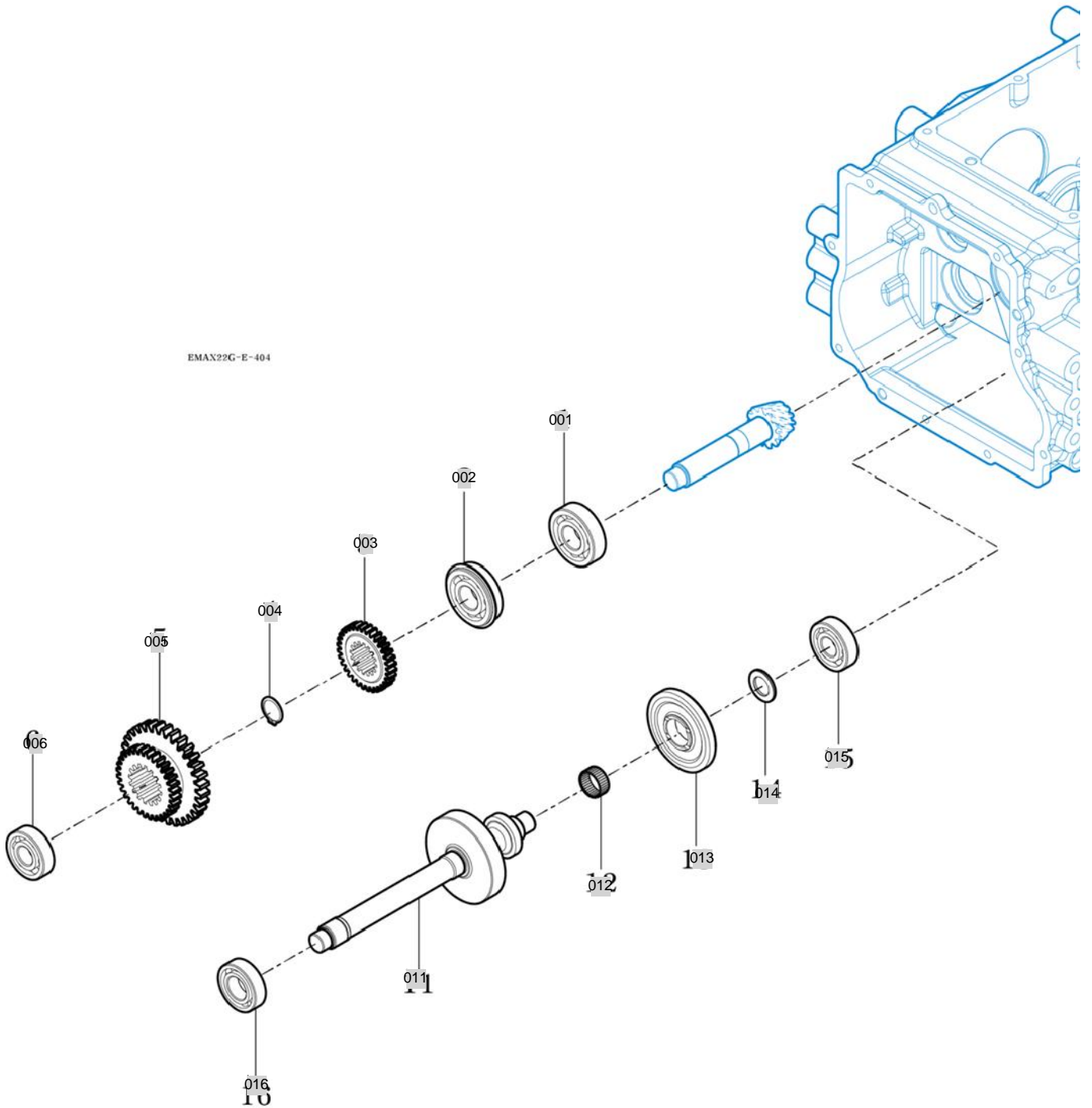
T254NC

RANGE GEAR

년/월  
Year/Month

2020.07

EMAN22G-E-404



NOTE



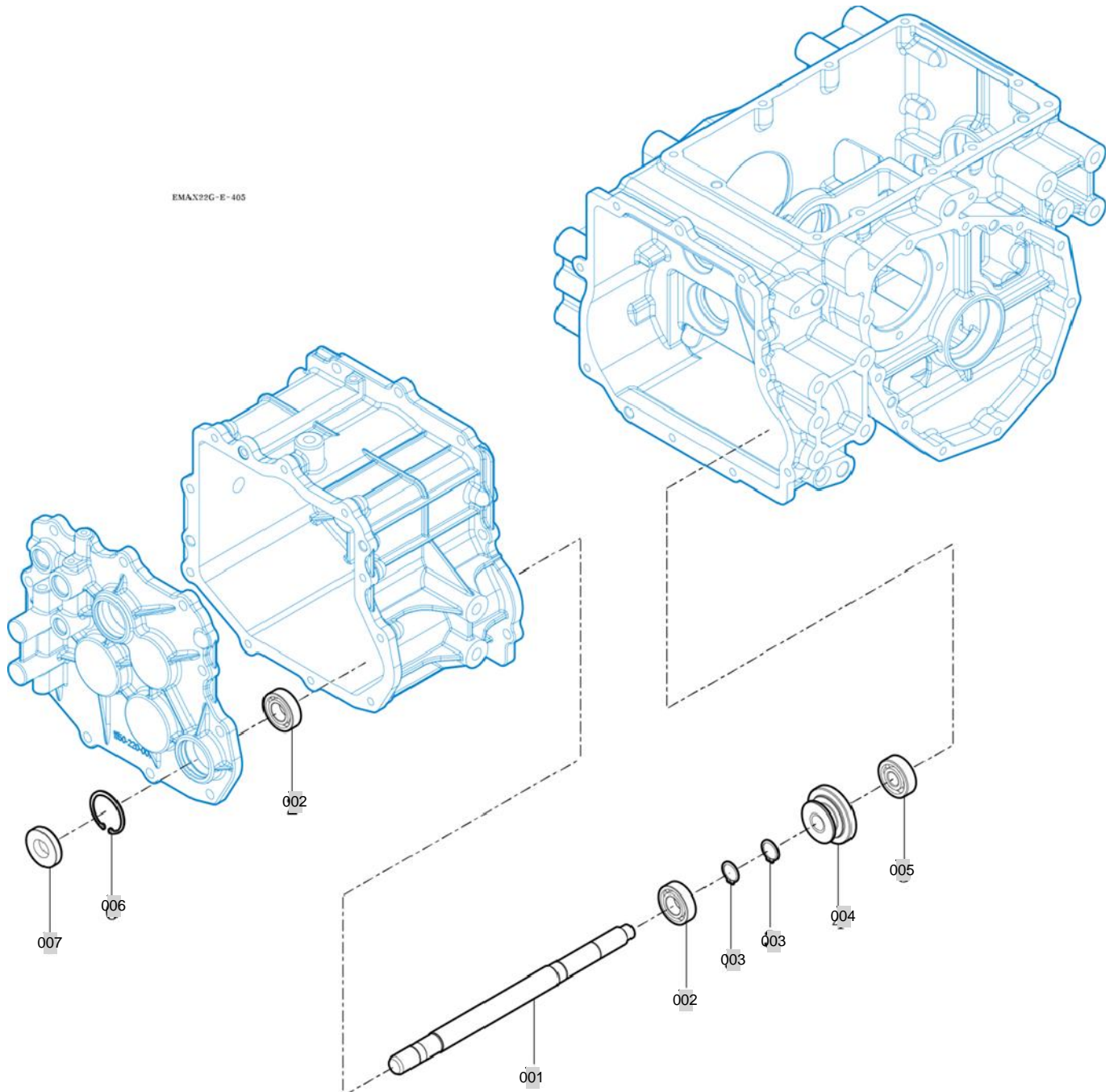
FIG 405

4WD DRIVE GEAR

년/월  
Year/Month

T254NC

2020.07



NOTE









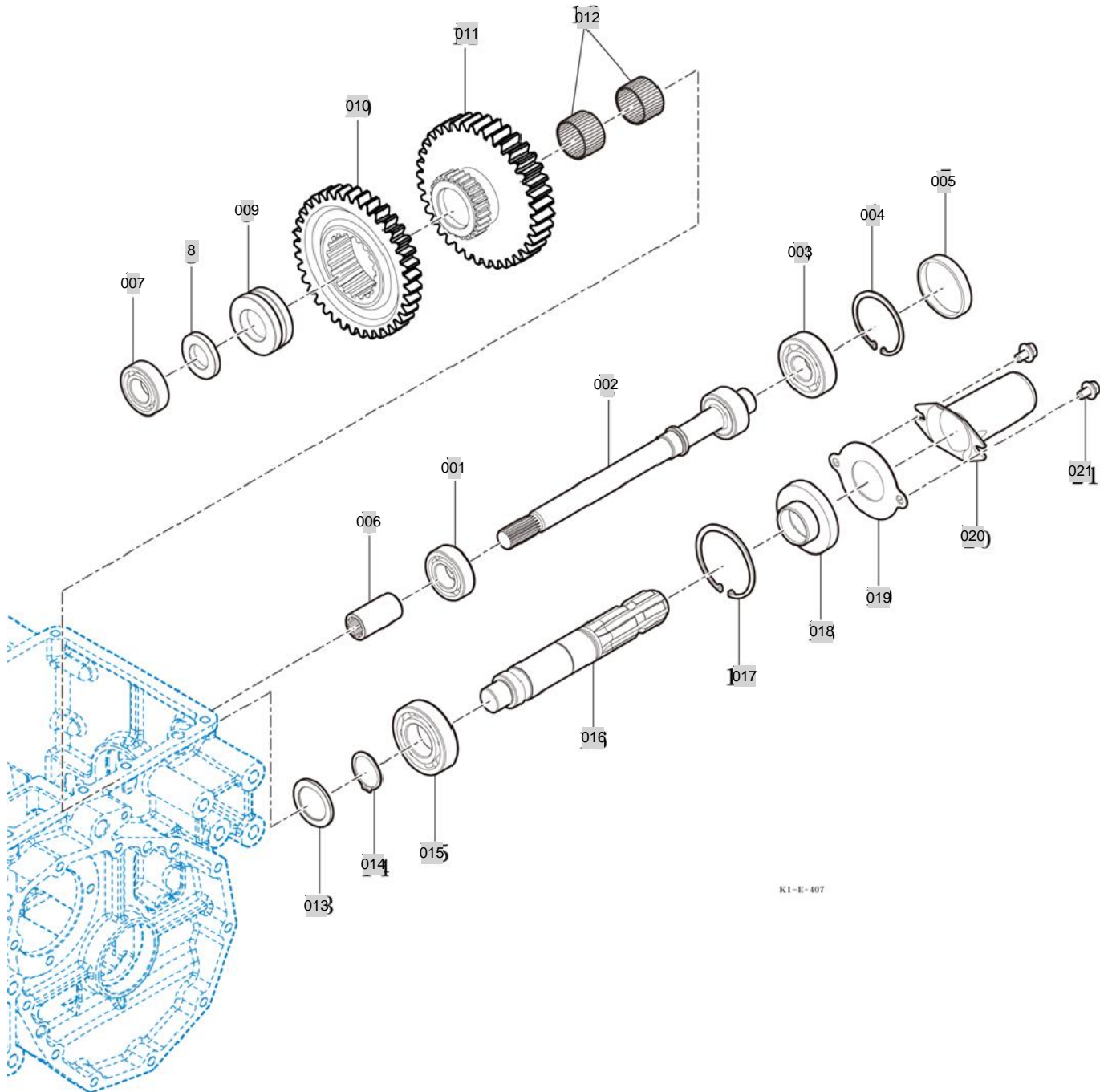
FIG 407

T254NC

P.T.O SHAFT

년/월  
Year/Month

2020.07



NOTE



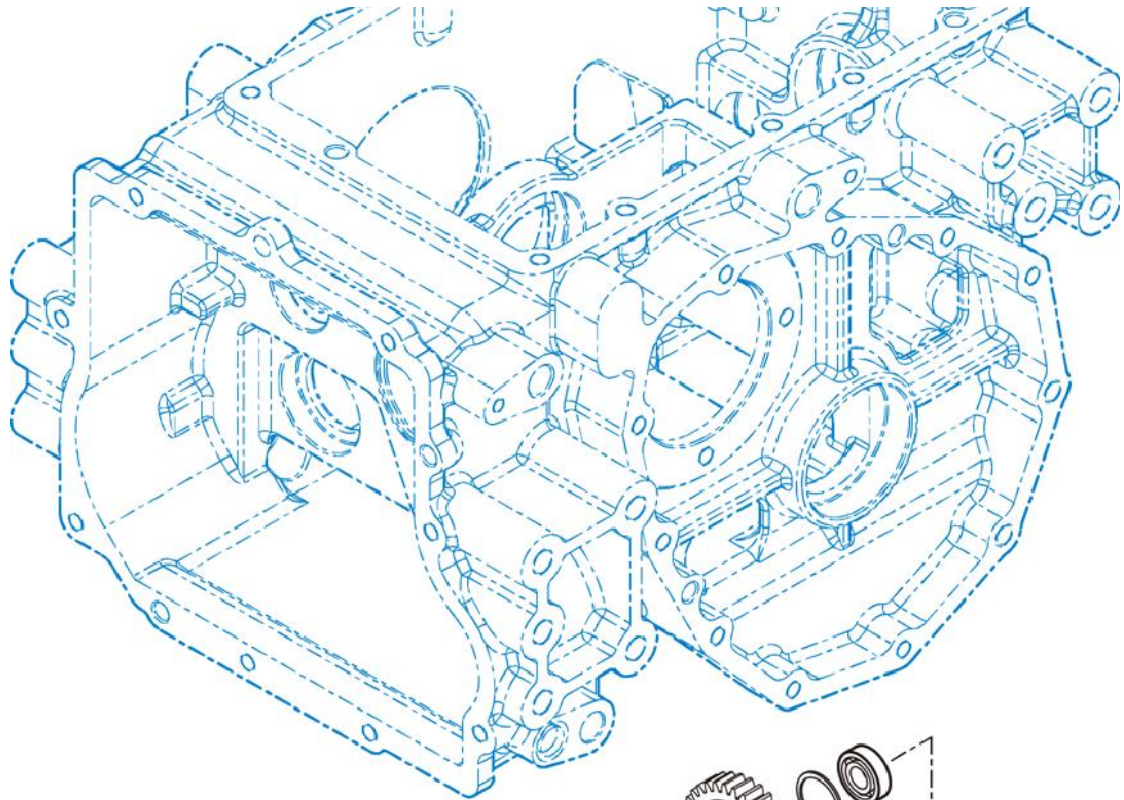
FIG 408

MID P.T.O GEAR

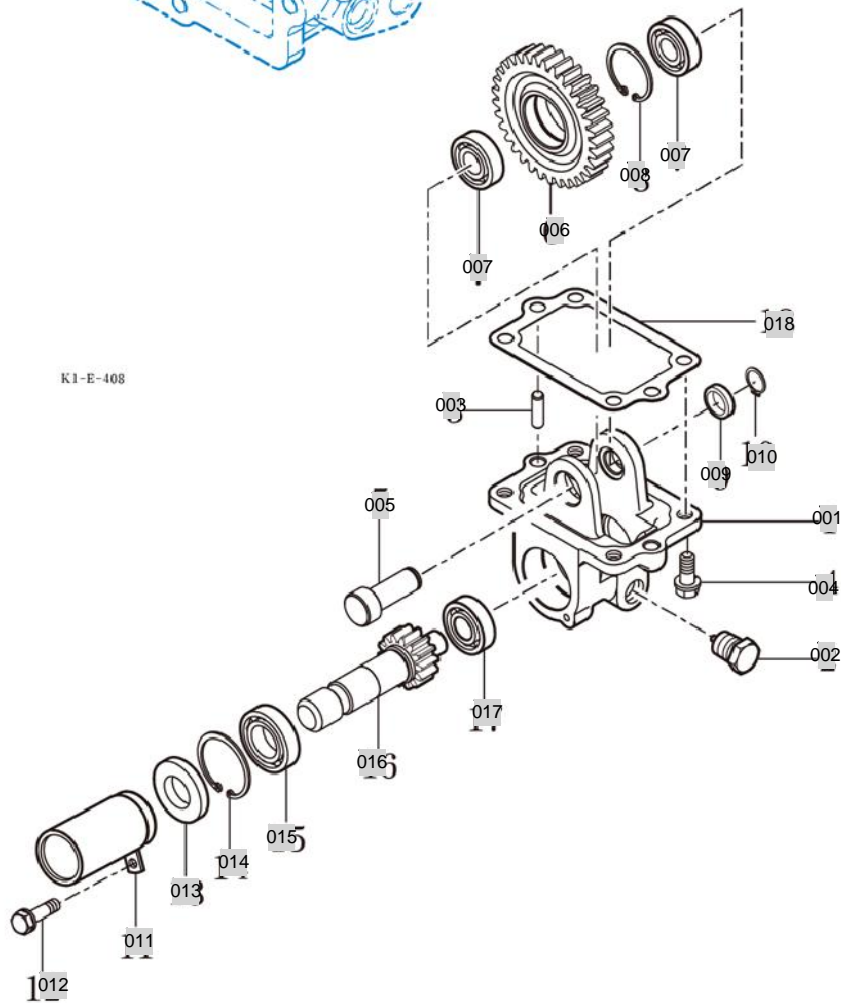
년/월  
Year/Month

T254NC

2020.07



K1-E-408



NOTE



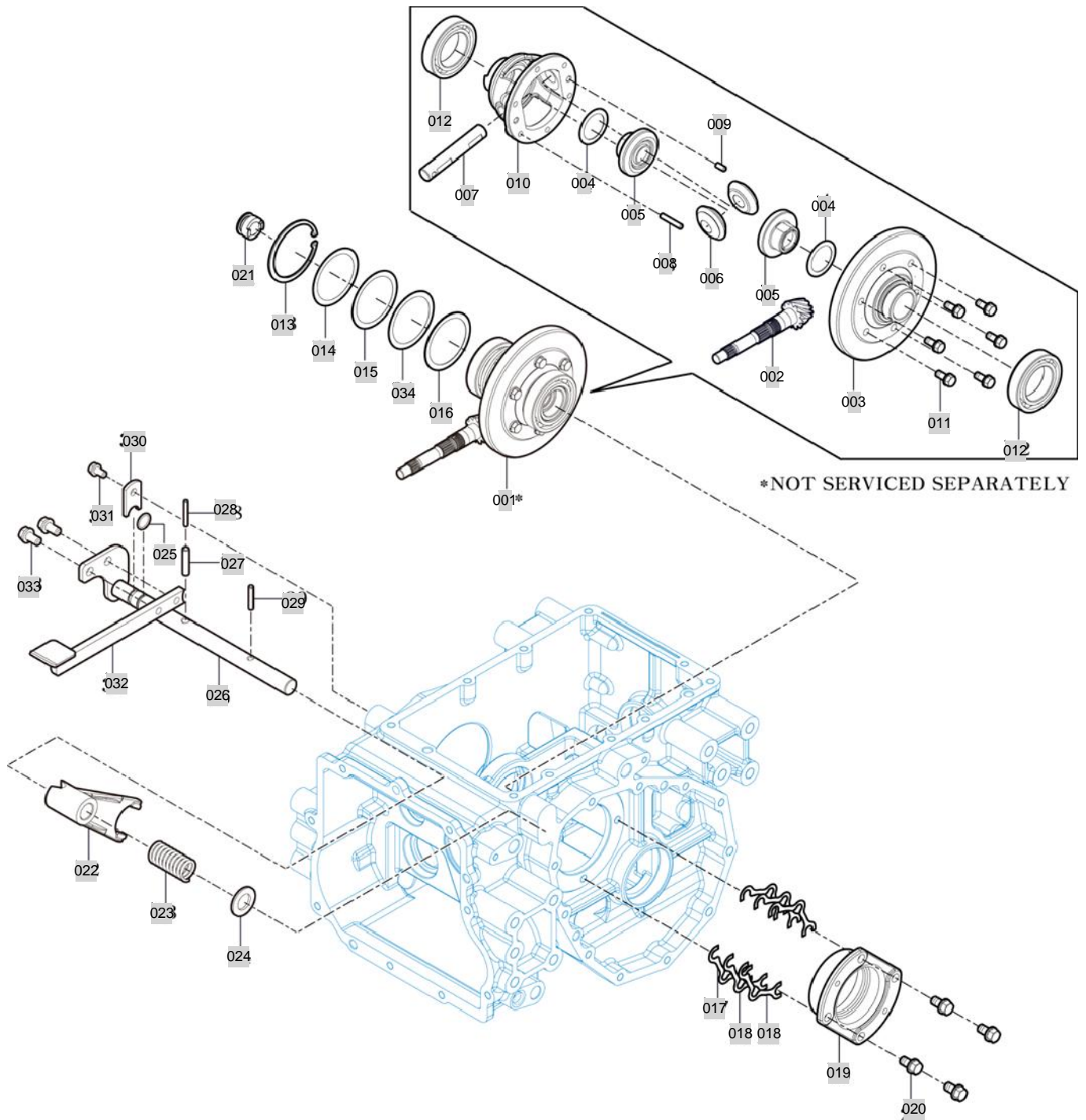
FIG 409

DIFF LOCK

년/월  
Year/Month

T254NC

2020.07



NOTE



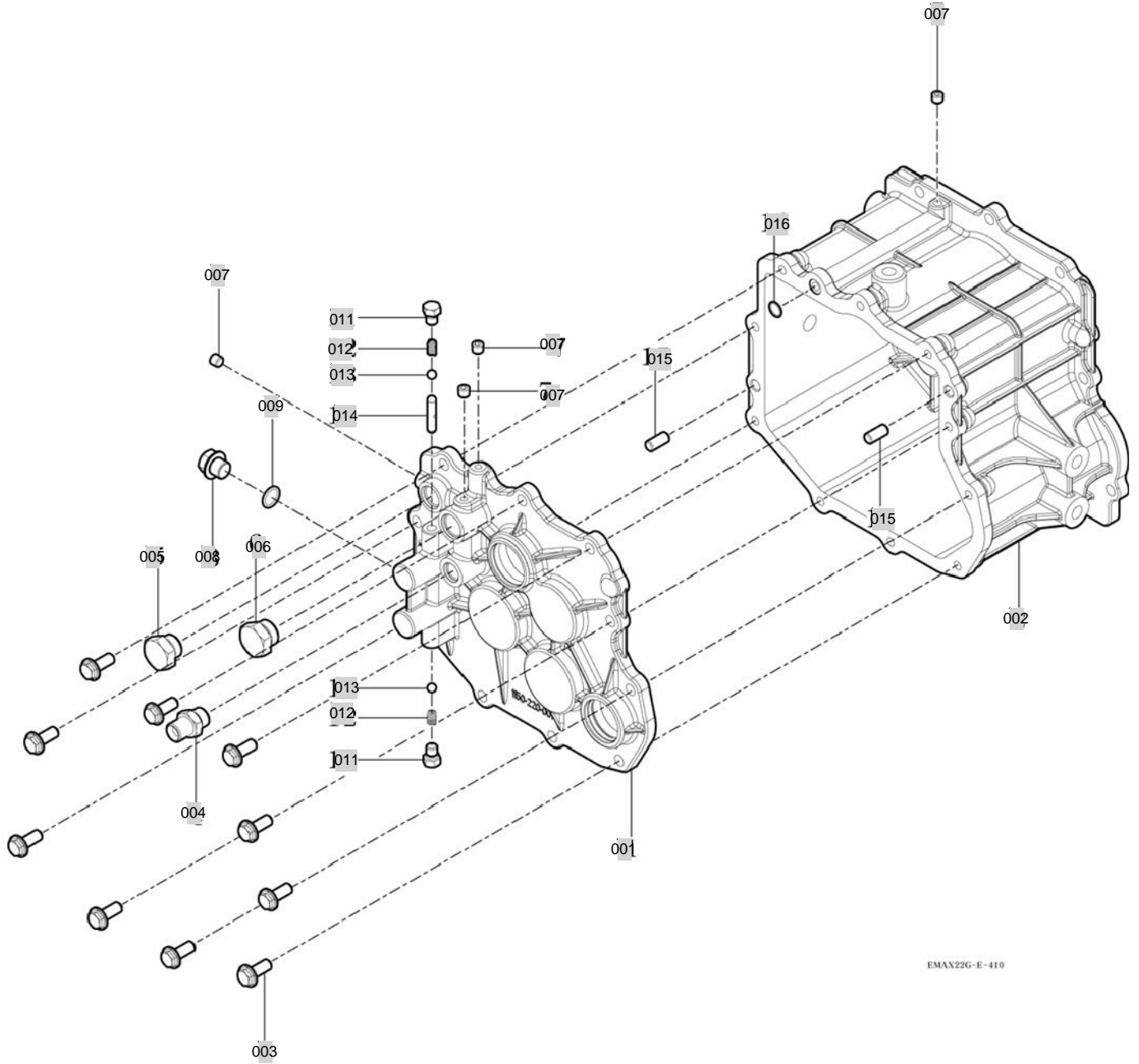
FIG 410

T254NC

MID TRANSMISSION CASE

년/월  
Year/Month

2020.07



EMAX22G-E-410

NOTE



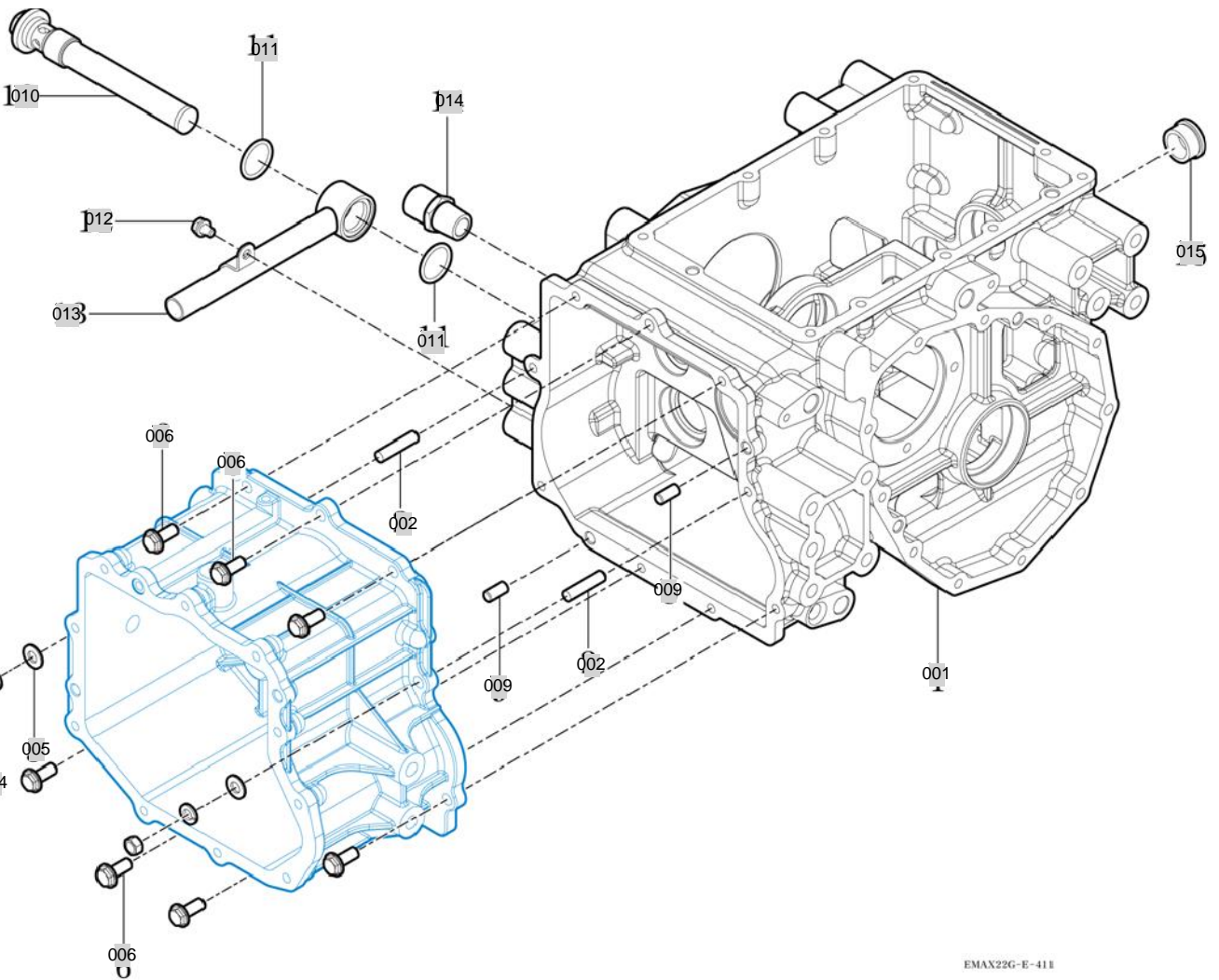


FIG 411

REAR TRANSMISSION CASE

년/월  
Year/Month

2020.07



EMAX22G-E-411

NOTE



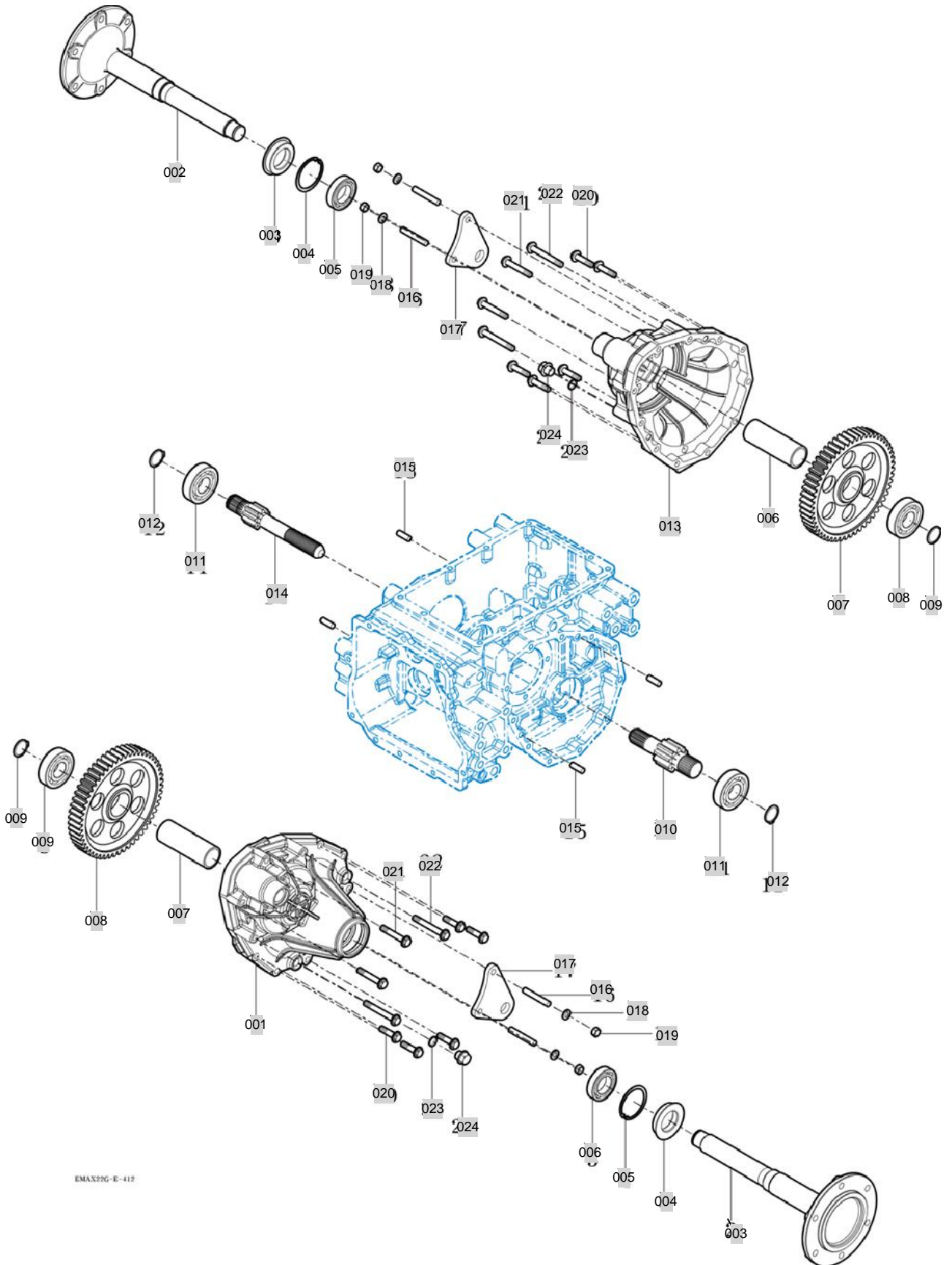
FIG 412

REAR AXLE HOUSING

년/월  
Year/Month

T254NC

2020.07



NOTE







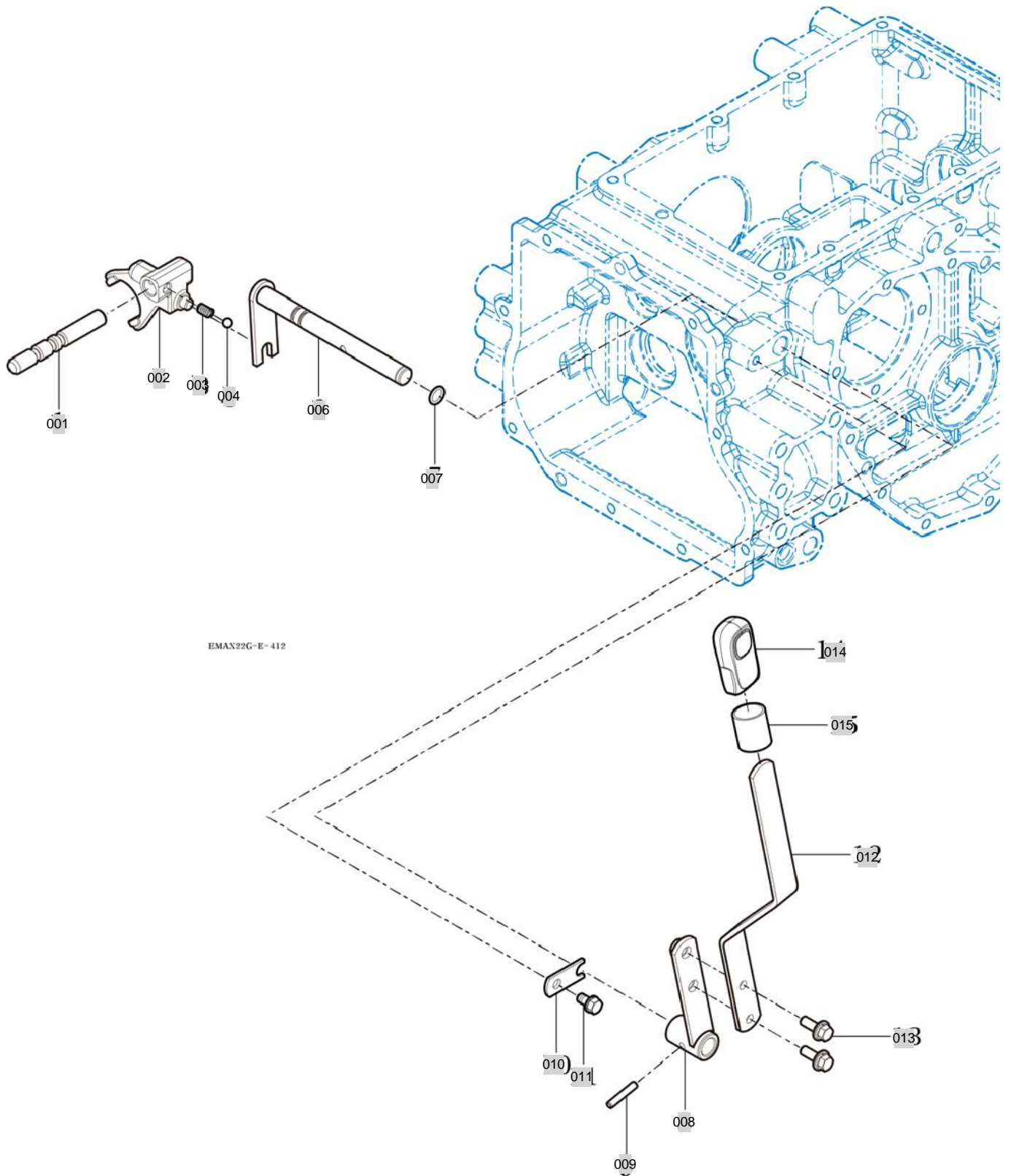
FIG 414

RANGE SHIFT LEVER

년/월  
Year/Month

T254NC

2020.07



NOTE





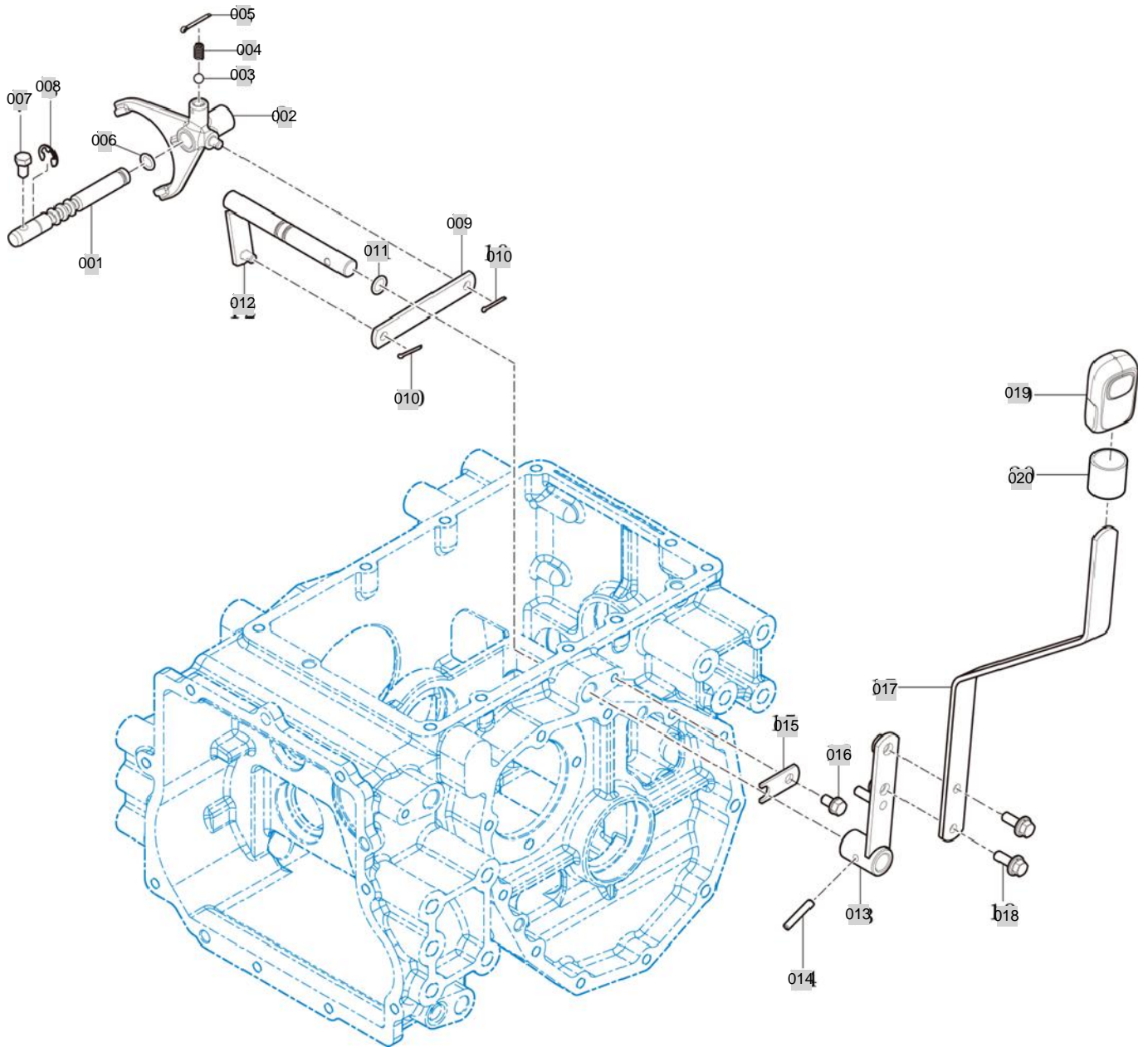
FIG 415

T254NC

P.T.O CHANGE LEVER

년/월  
Year/Month

2020.07



NOTE







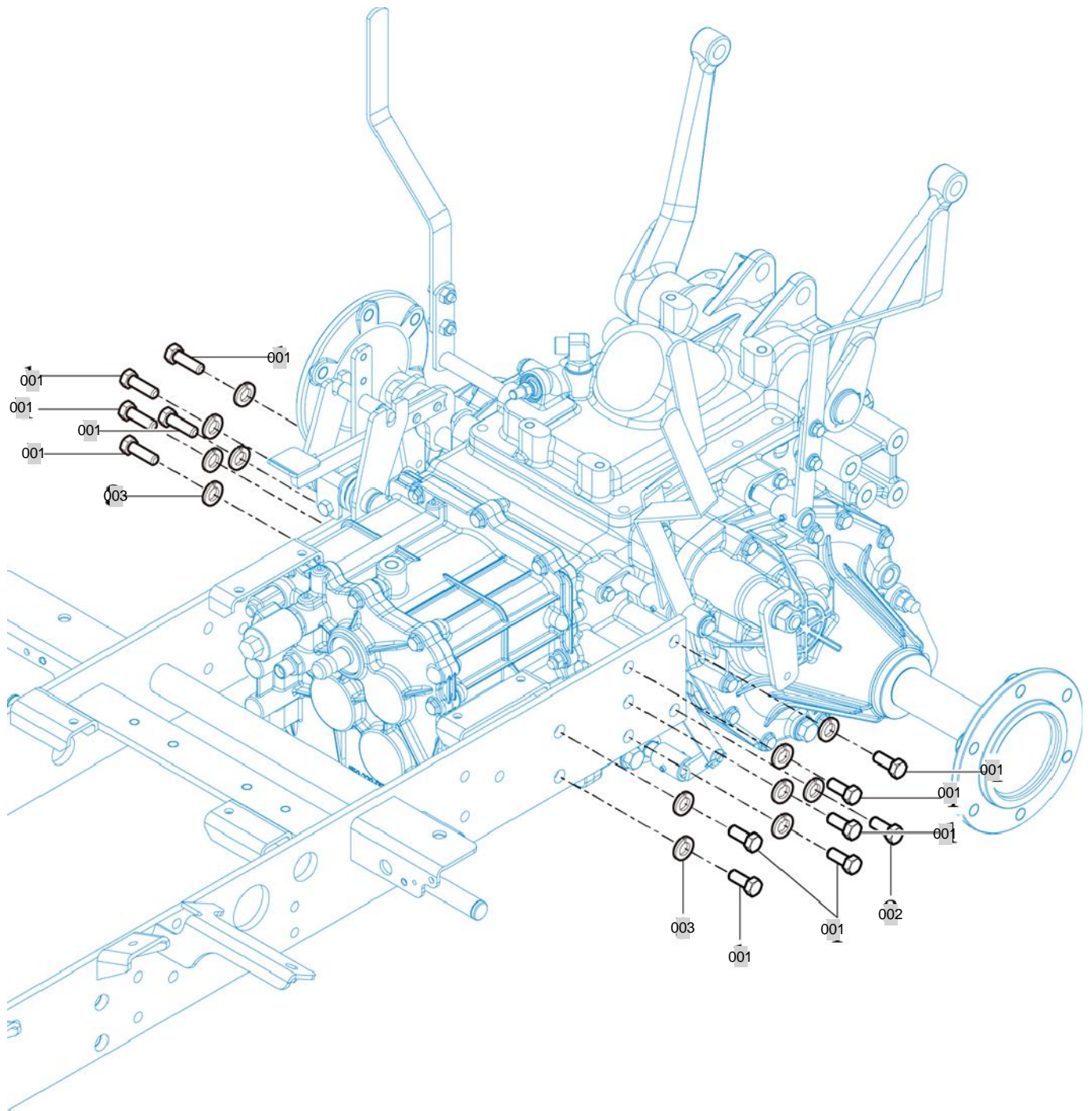
FIG 417

TRANSMISSION MOUNTING

년/월  
Year/Month

2020.07

T254NC



EMAX22G-E-417

NOTE



## 5. FRONT AXLE PART NO. T254NC-C5

FIG 501 FRONT DRIVE SHAFT	112
FIG 502 FRONT DIFFERENTIAL GEAR	114
FIG 503 FRONT AXLE HOUSING	116
FIG 504 FRONT GEAR CASE (1)	118
FIG 505 FRONT GEAR CASE (2)	120

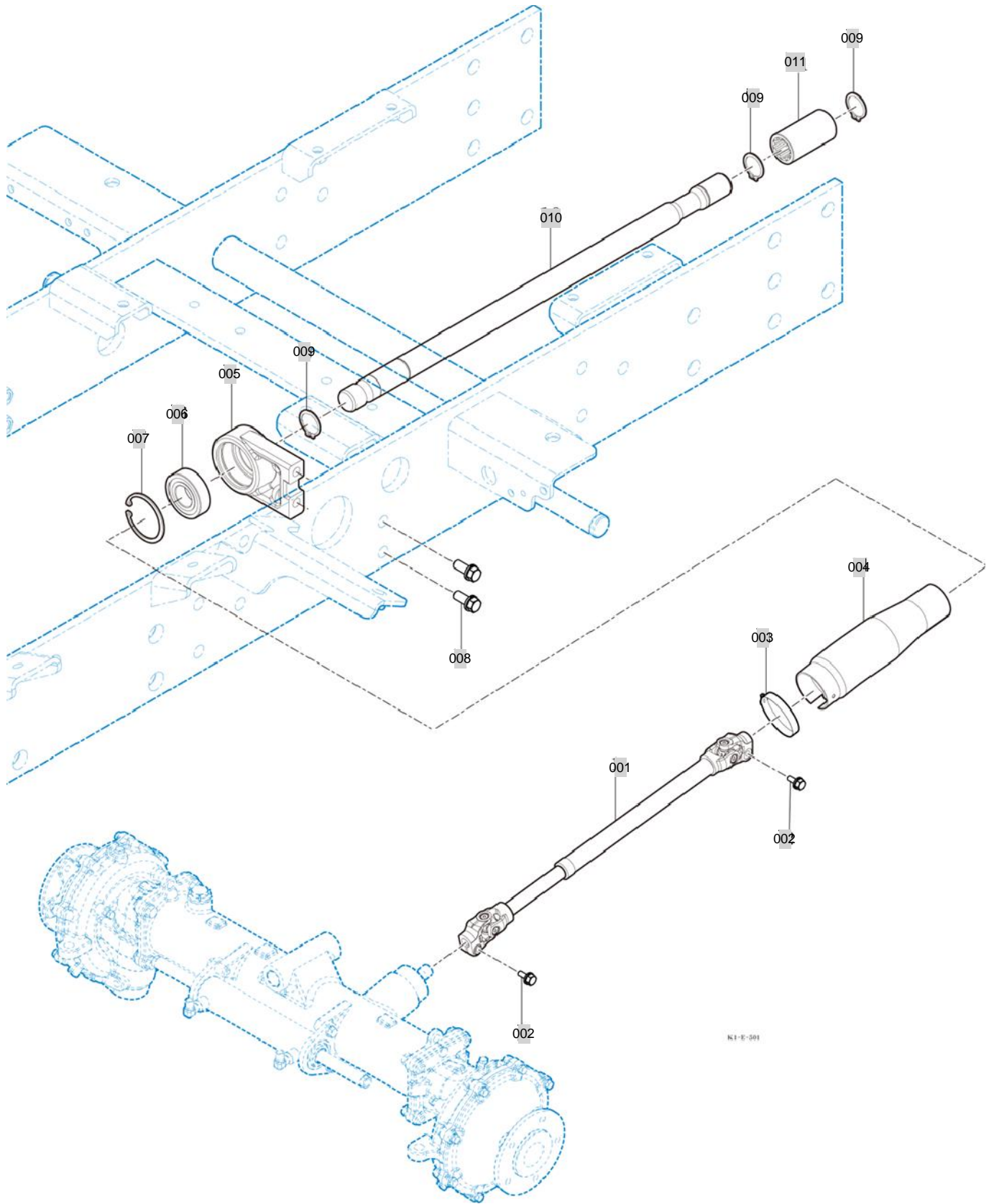
FIG 501

T254NC

FRONT DRIVE SHAFT

년/월  
Year/Month

2020.07



K1-E-301

NOTE





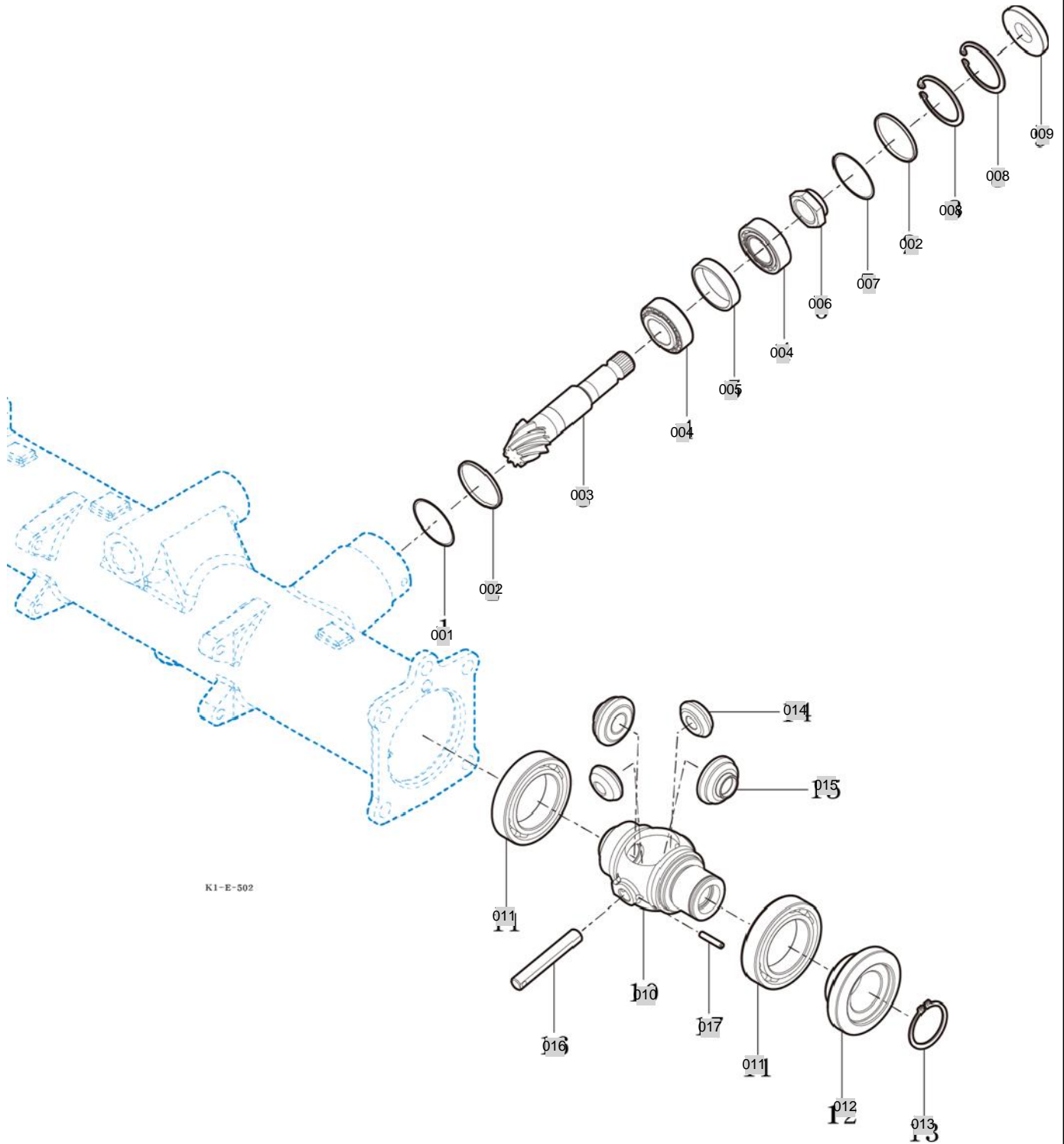
FIG 502

T254NC

FRONT DIFFERENTIAL GEAR

년/월  
Year/Month

2020.07



NOTE



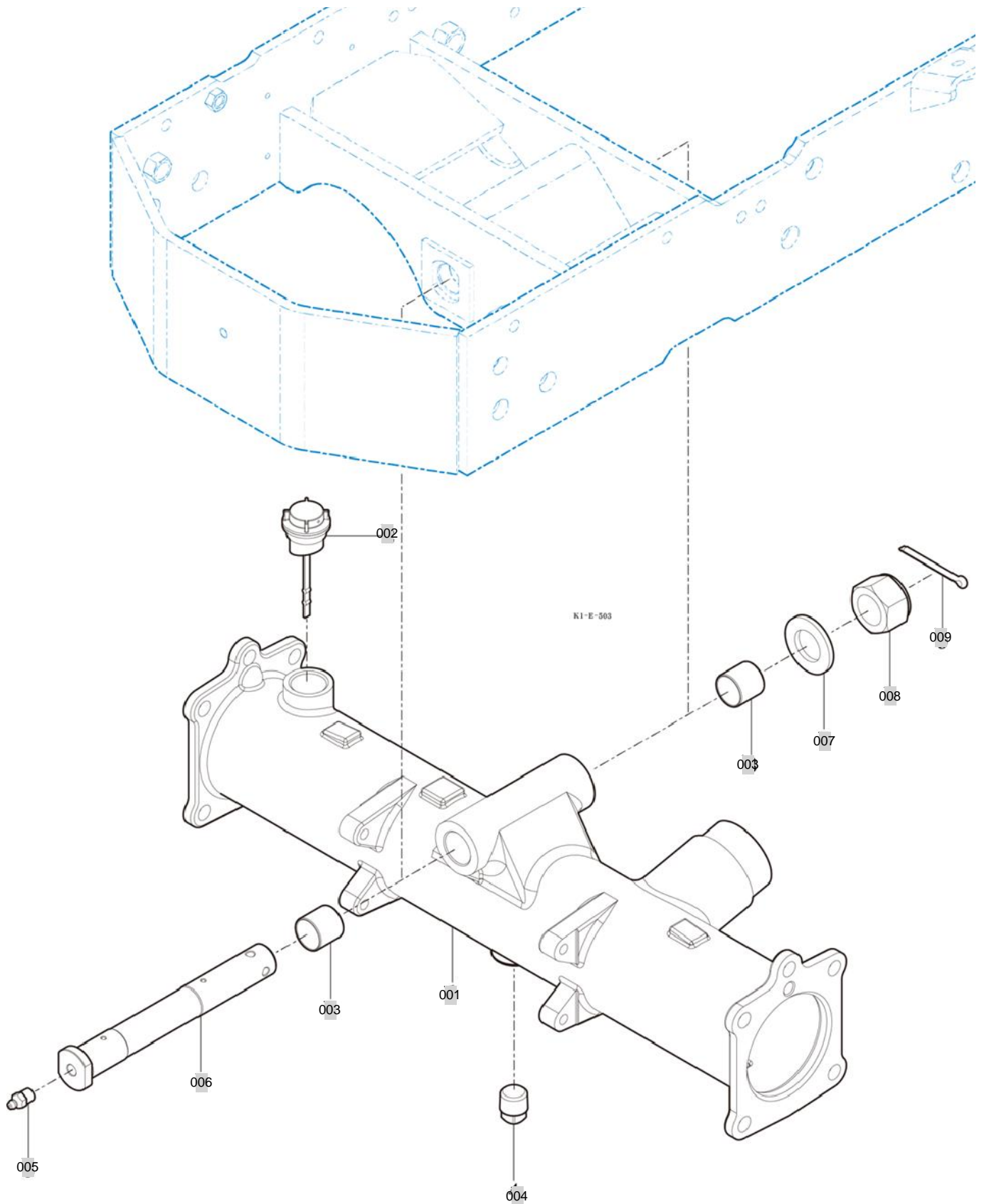
FIG 503

FRONT AXLE HOUSING

년/월  
Year/Month

T254NC

2020.07



NOTE



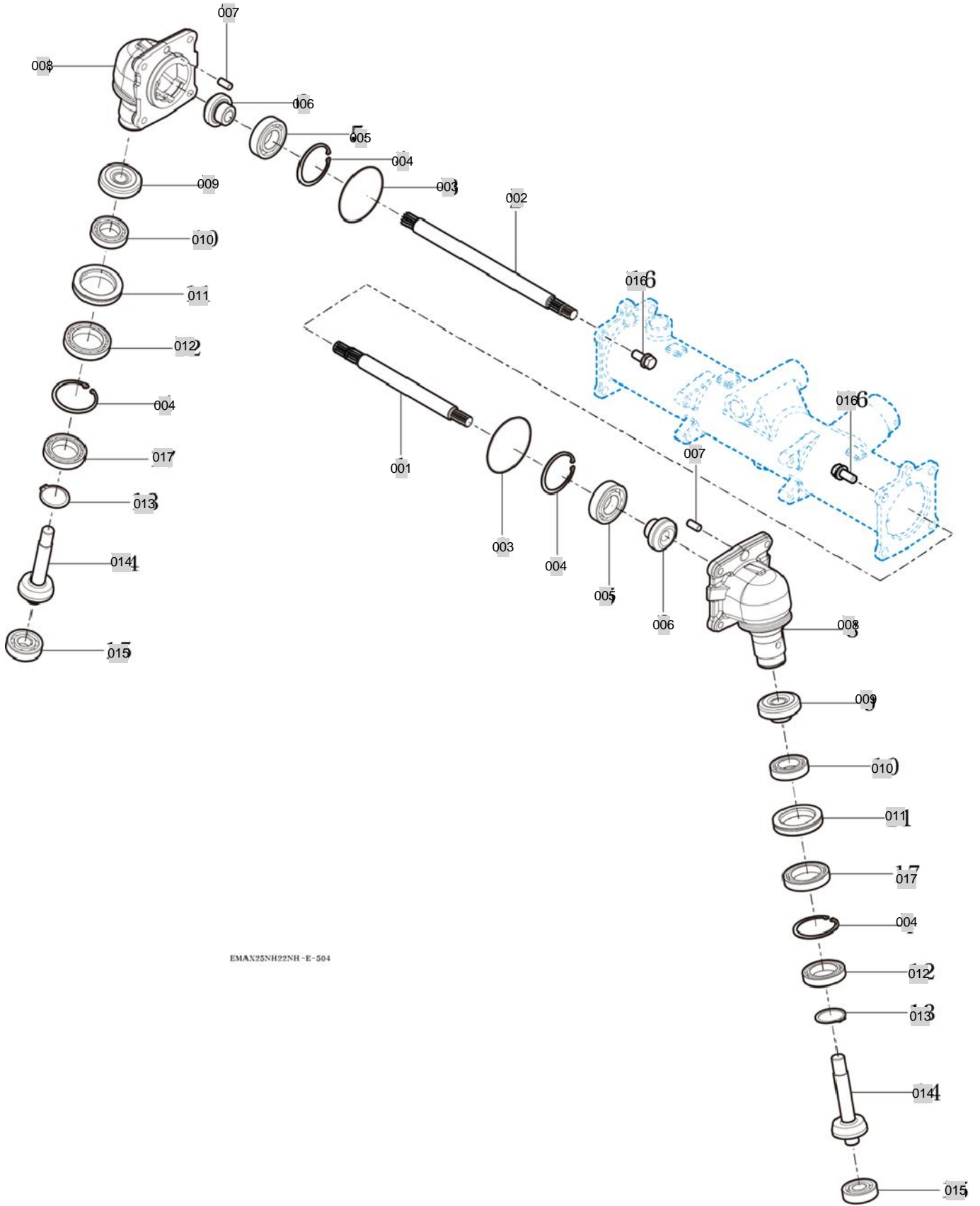
FIG 504

FRONT GEAR CASE (1)

년/월  
Year/Month

2020.07

T254NC



EMAX25NH22NH-E-504

NOTE



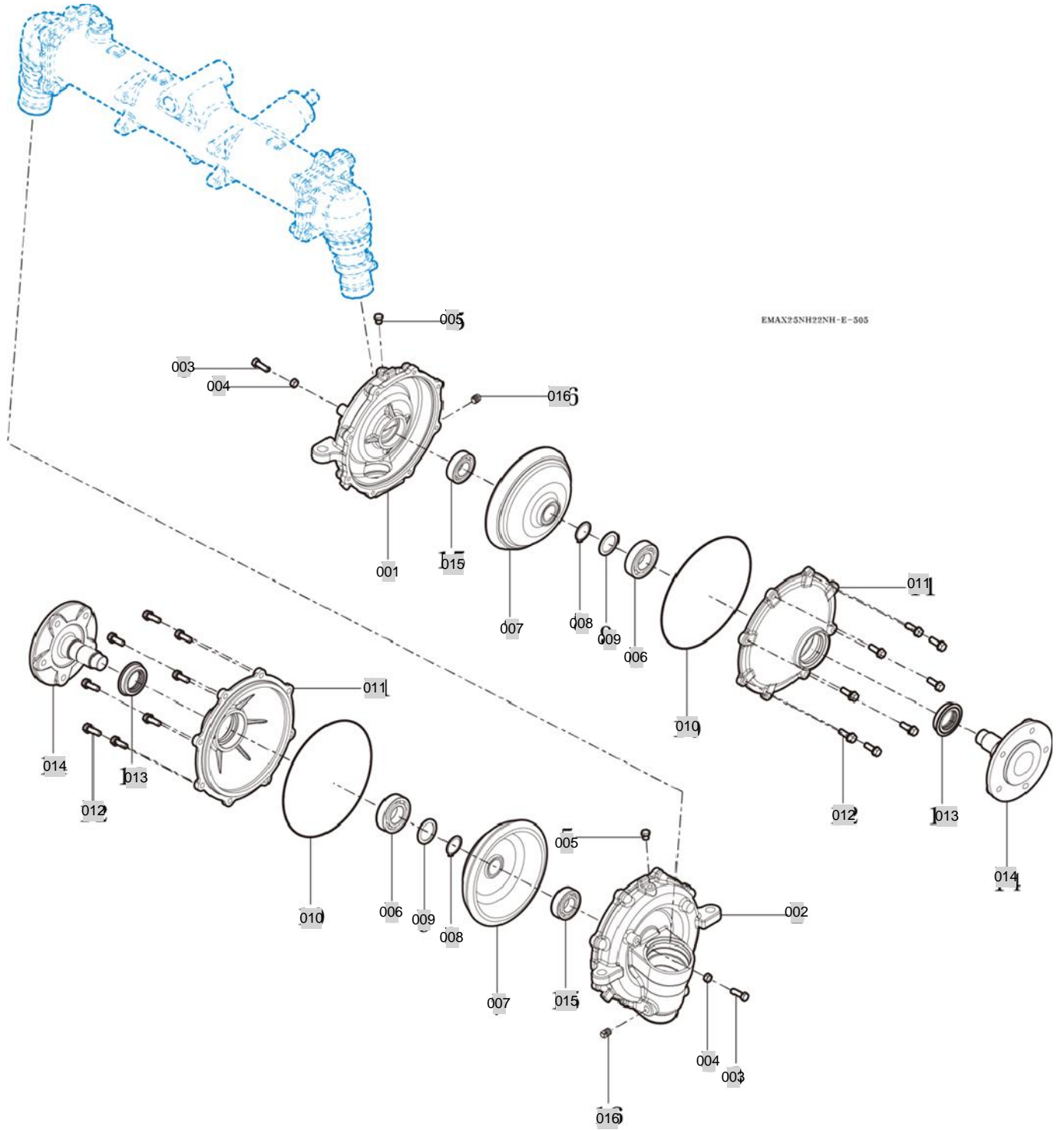
FIG 505

FRONT GEAR CASE (2)

년/월  
Year/Month

T254NC

2020.07



NOTE





## 6. HYDRAULICS & 3-POINT LINK PART NO. T254NC-C6

FIG 601 CYLINDER CASE	123
FIG 602 LIFT ARM	125
FIG 603 FLOW CONTROL VALVE	127
FIG 604 MAIN CONTROL VALVE	129
FIG 605 HYDRAULIC SUB	131
FIG 606 HITCH & 3-POINT LINKAGE	133
FIG 607 HITCH & COVER	135

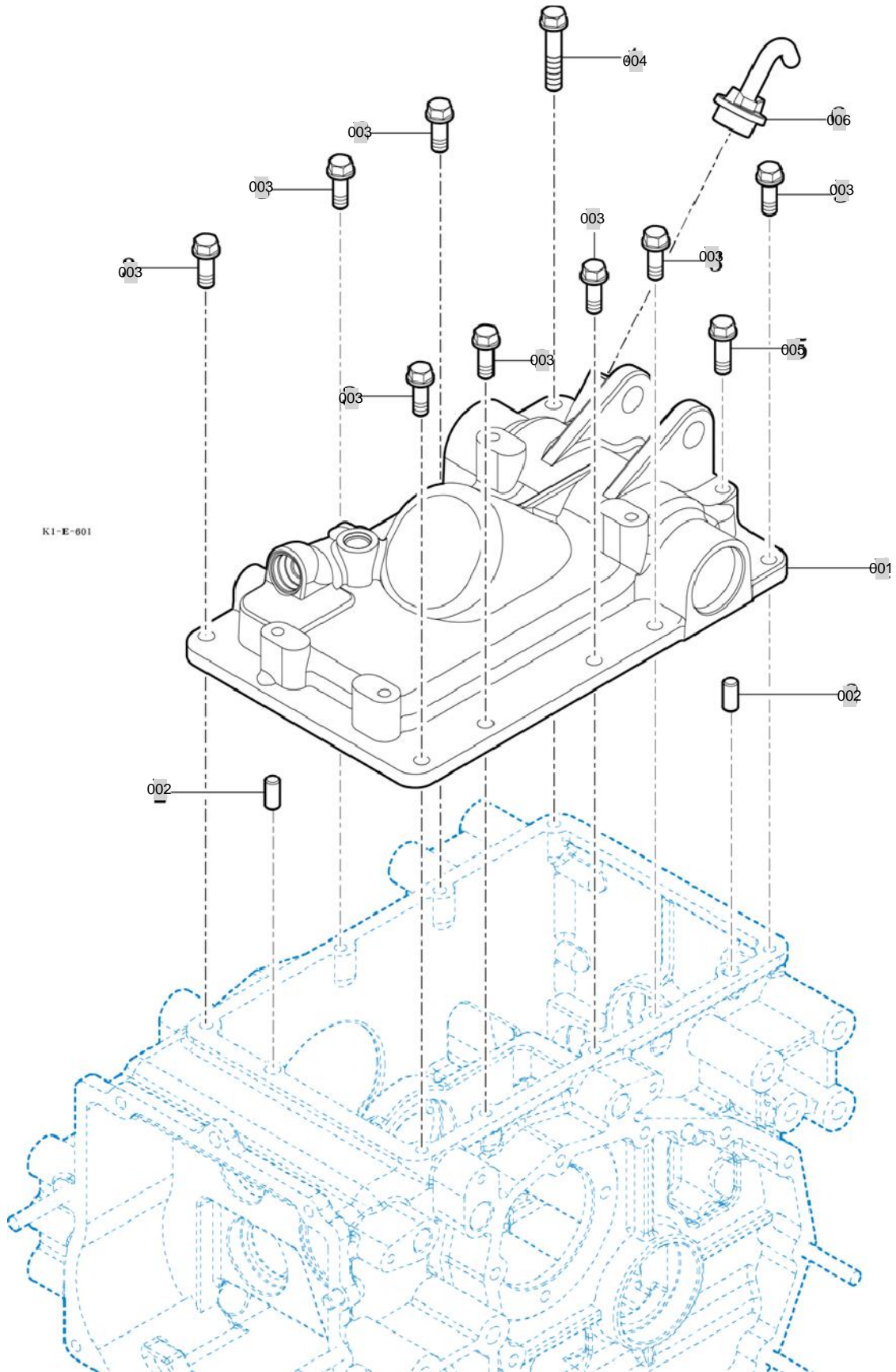
FIG 601

CYLINDER CASE

년/월  
Year/Month

2020.07

T254NC



NOTE



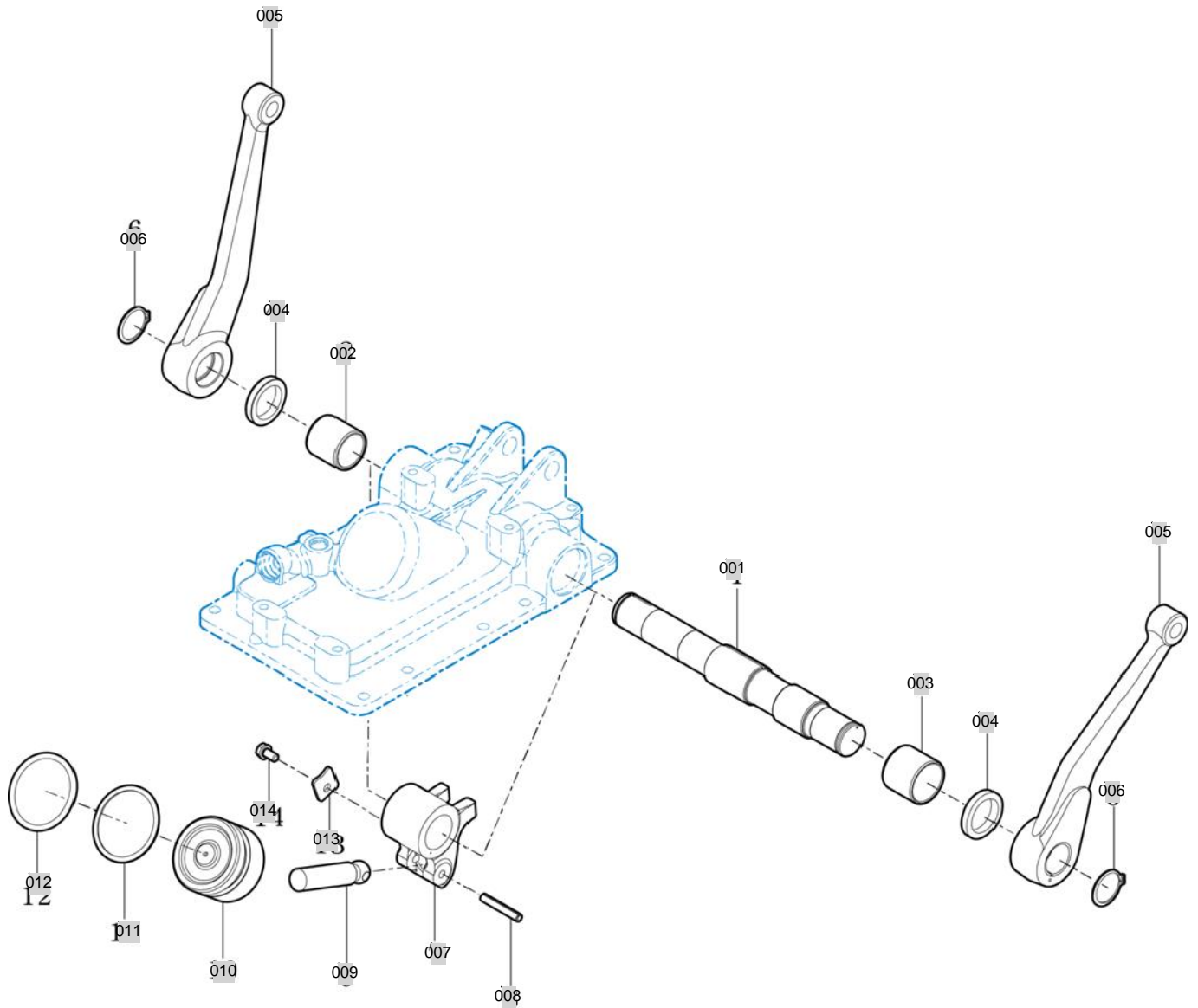
FIG 602

T254NC

LIFT ARM

년/월  
Year/Month

2020.07



NOTE



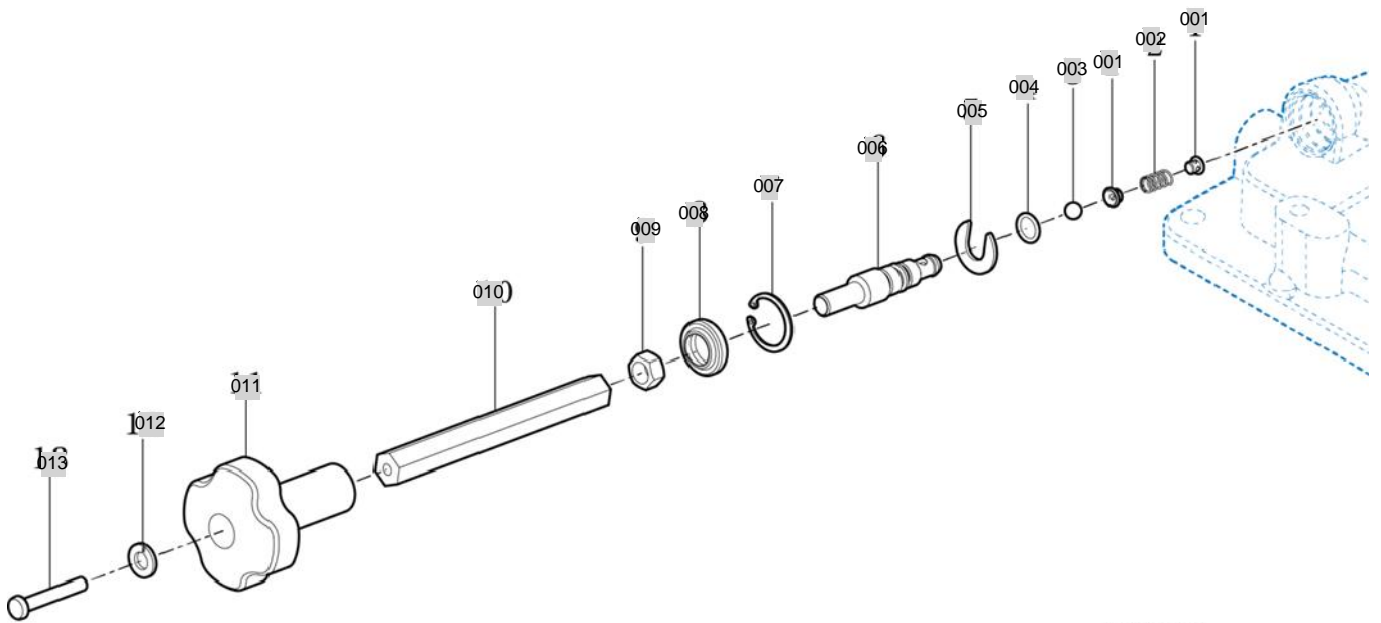
FIG 603

T254NC

FLOW CONTROL VALVE

년/월  
Year/Month

2020.07



EMAX22G-E-603

NOTE





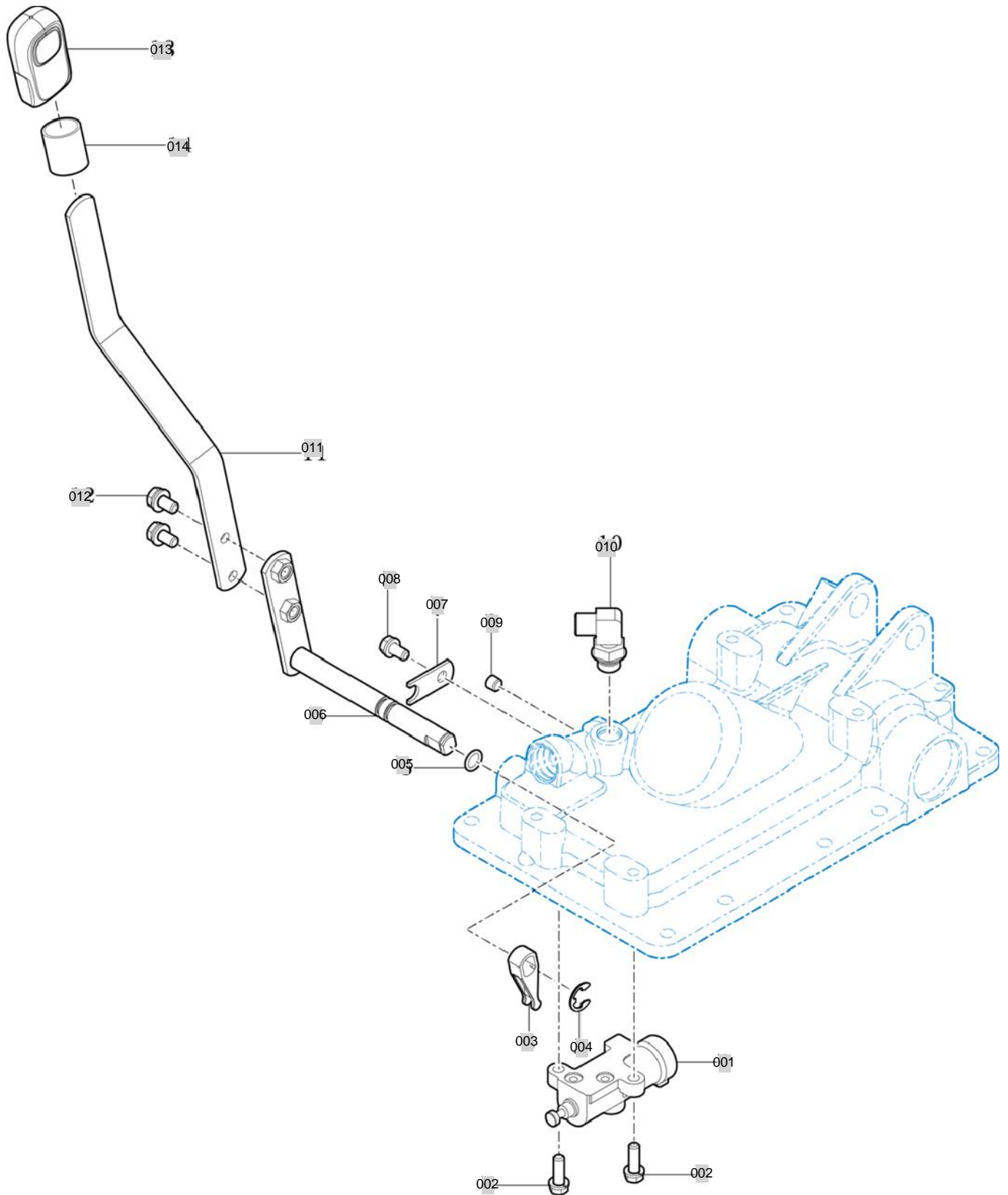
FIG 604

MAIN CONTROL VALVE

년/월  
Year/Month

2020.07

T254NC



NOTE



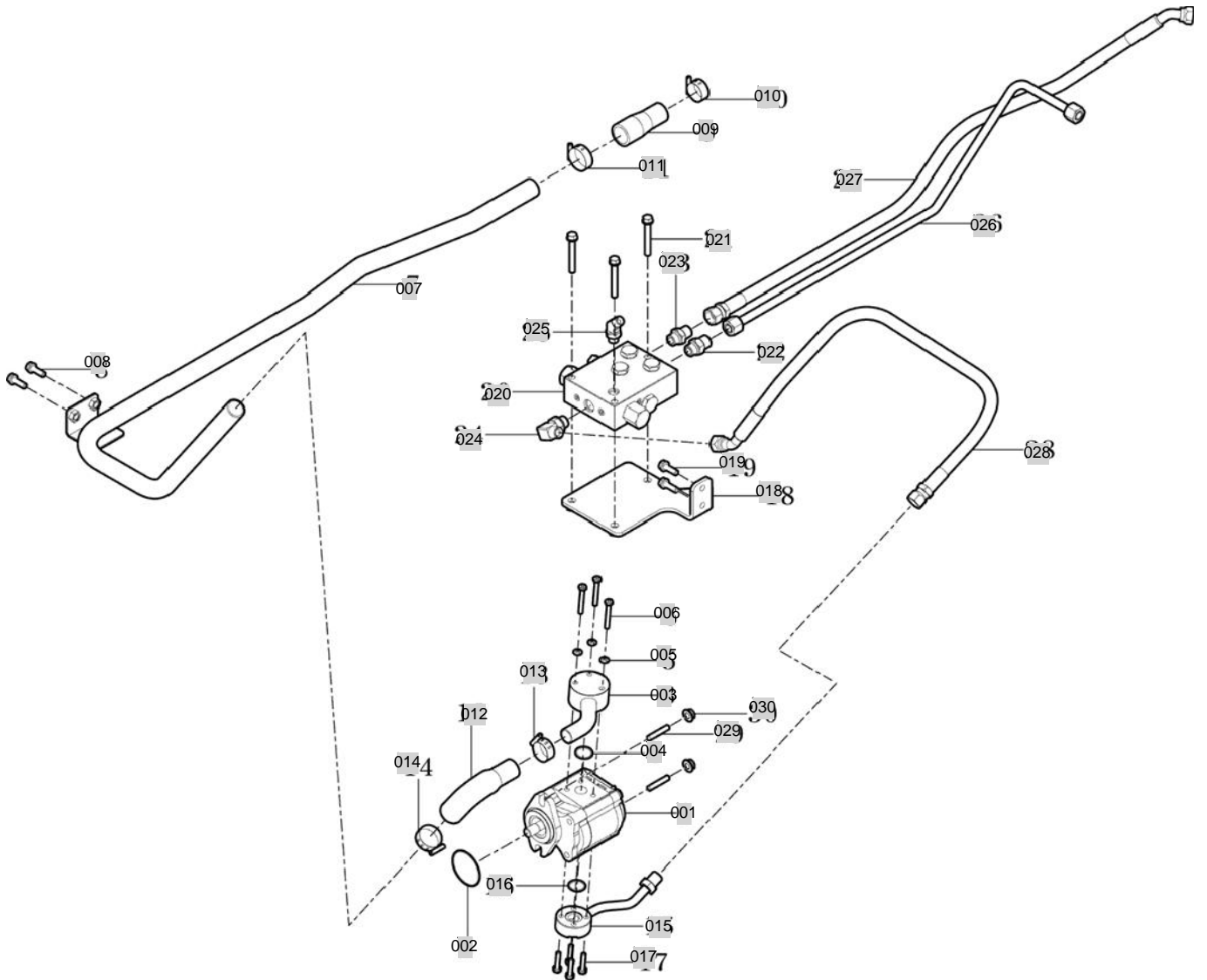
FIG 605

HYDRAULIC SUB

년/월  
Year/Month

T254NC

2020.07



NOTE



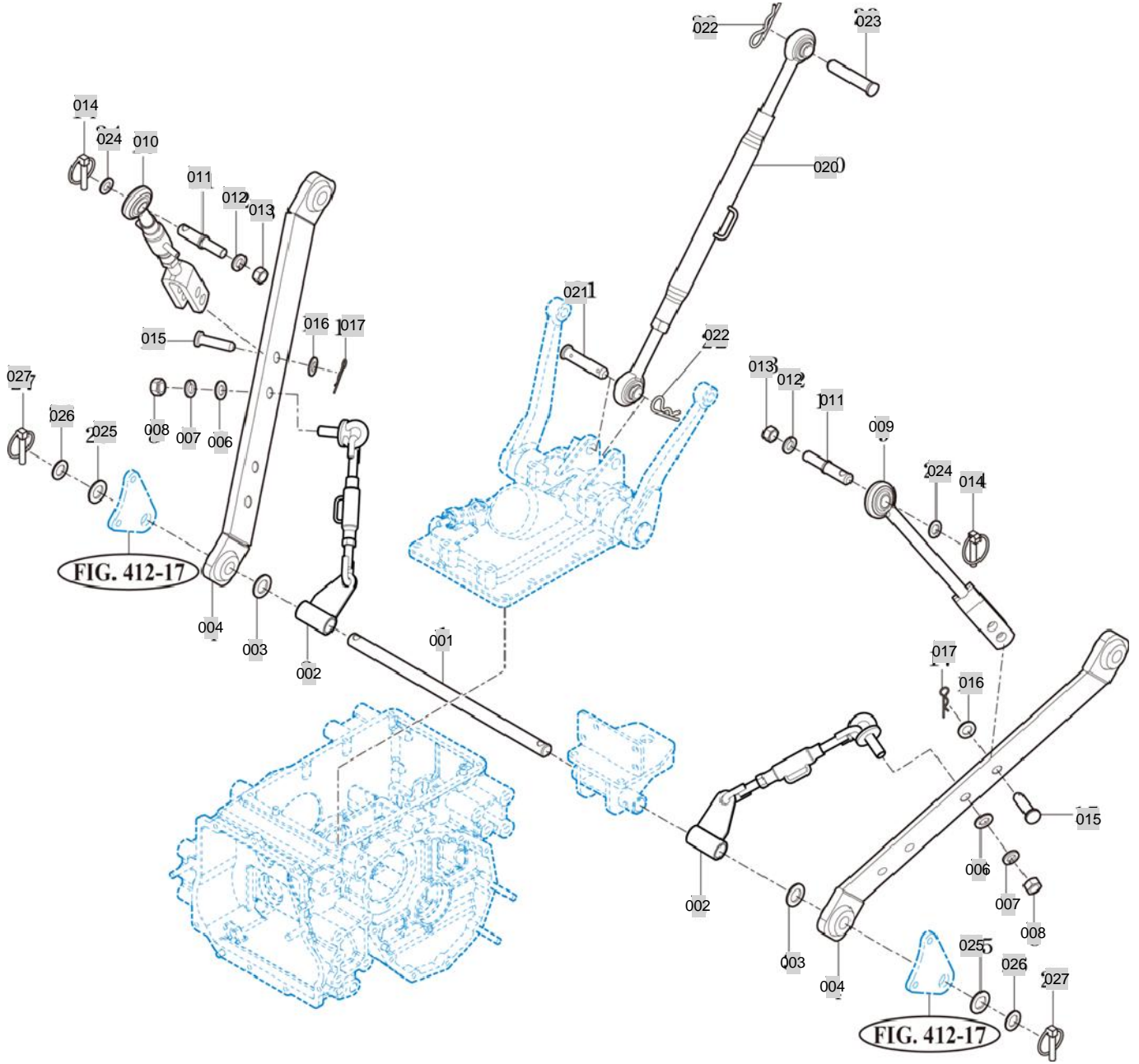
FIG 606

HITCH & 3-POINT LINKAGE

년/월  
Year/Month

T254NC

2020.07



NOTE



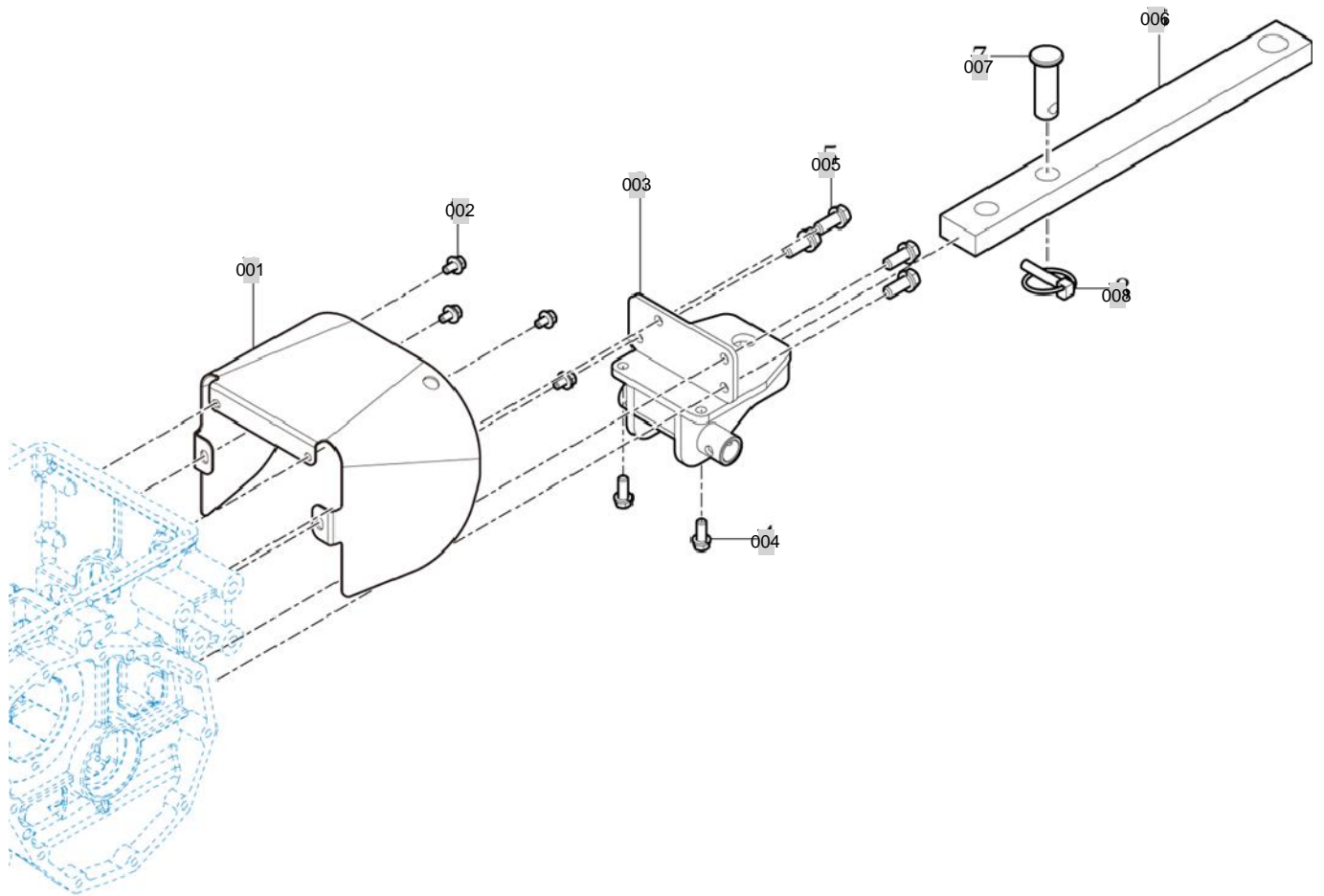
FIG 607

T254NC

HITCH & COVER

년/월  
Year/Month

2020.07



NOTE





## 7. SHEET METAL & R.O.P.S PART NO. T254NC-C7

FIG 701(1) BONNET (~2015.11.04)	138
FIG 701(2) BONNET (~2019.01.02)	140
FIG 701(3) BONNET (2019.01.03~)	142
FIG 701(4) BONNET (~2015.11.04)	144
FIG 701(5) BONNET (~2019.01.02)	146
FIG 701(6) BONNET (2019.01.03~)	148
FIG 702 FLOOR	150
FIG 703 SEAT	152
FIG 704 ROPS	154
FIG 705 LEVER COVER & FENDER	156
FIG 706 REARVIEW MIRRORS	158
FIG 707 FRONT GLASS	160
FIG 708 DOOR-LH	162
FIG 709 DOOR-RH	164
FIG 710 REAR GLASS	166
FIG 711 ROOF	168
FIG 712 WORKING LAMP & FENDER COVER	170
FIG 713 HEATER SUB	172
FIG 714 REAR WPER KIT(OPTION)	174

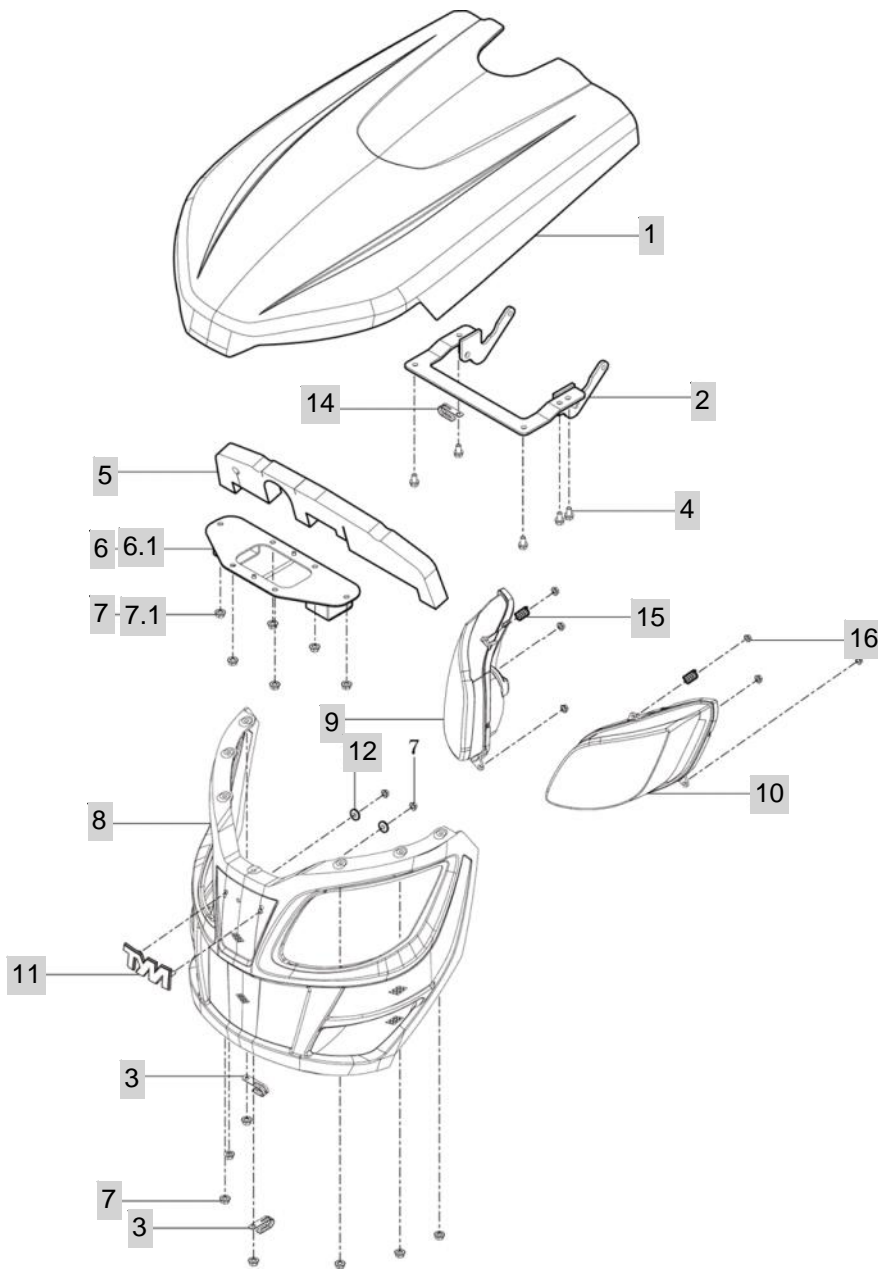
FIG 701(1)

T254NC

BONNET (~2015.11.04)

년/월  
Year/Month

2020.07



NOTE



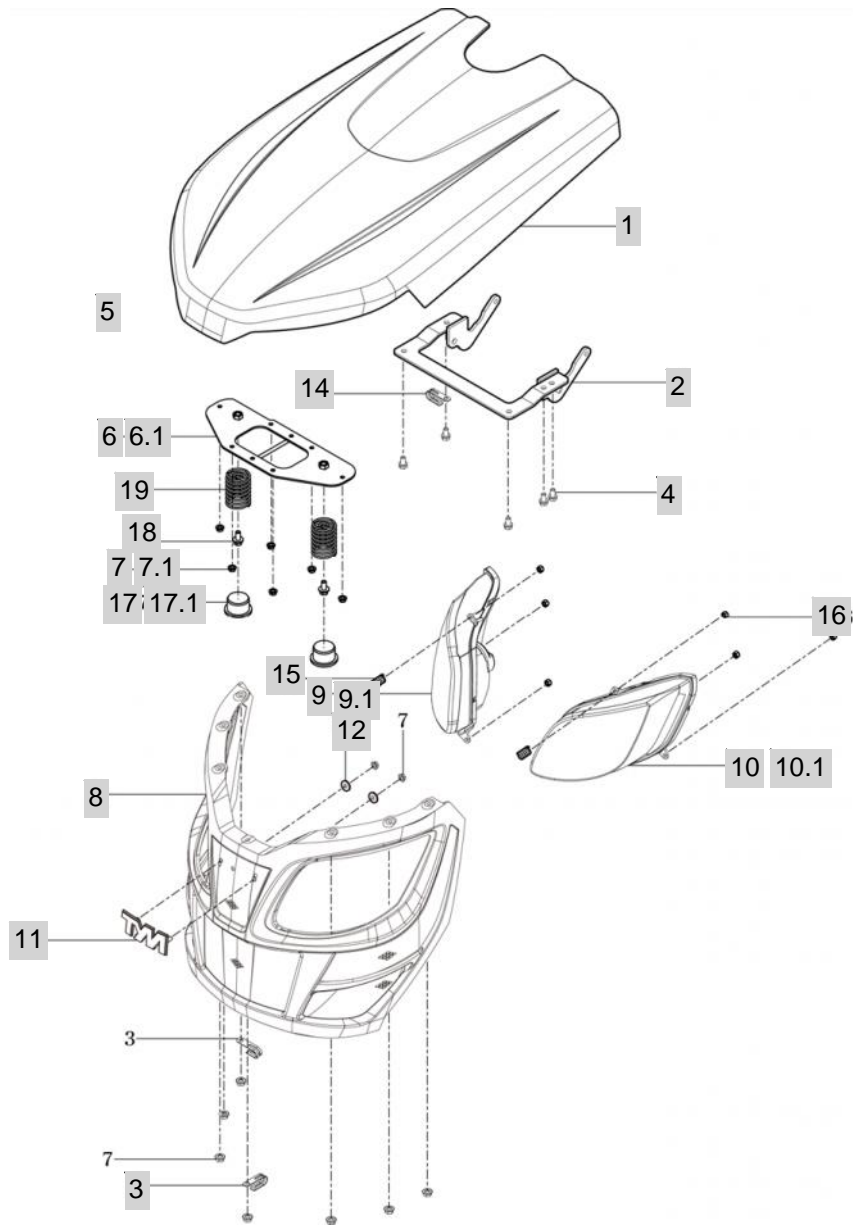
FIG 701(2)

T254NC

BONNET (~2019.01.02)

년/월  
Year/Month

2020.07



NOTE



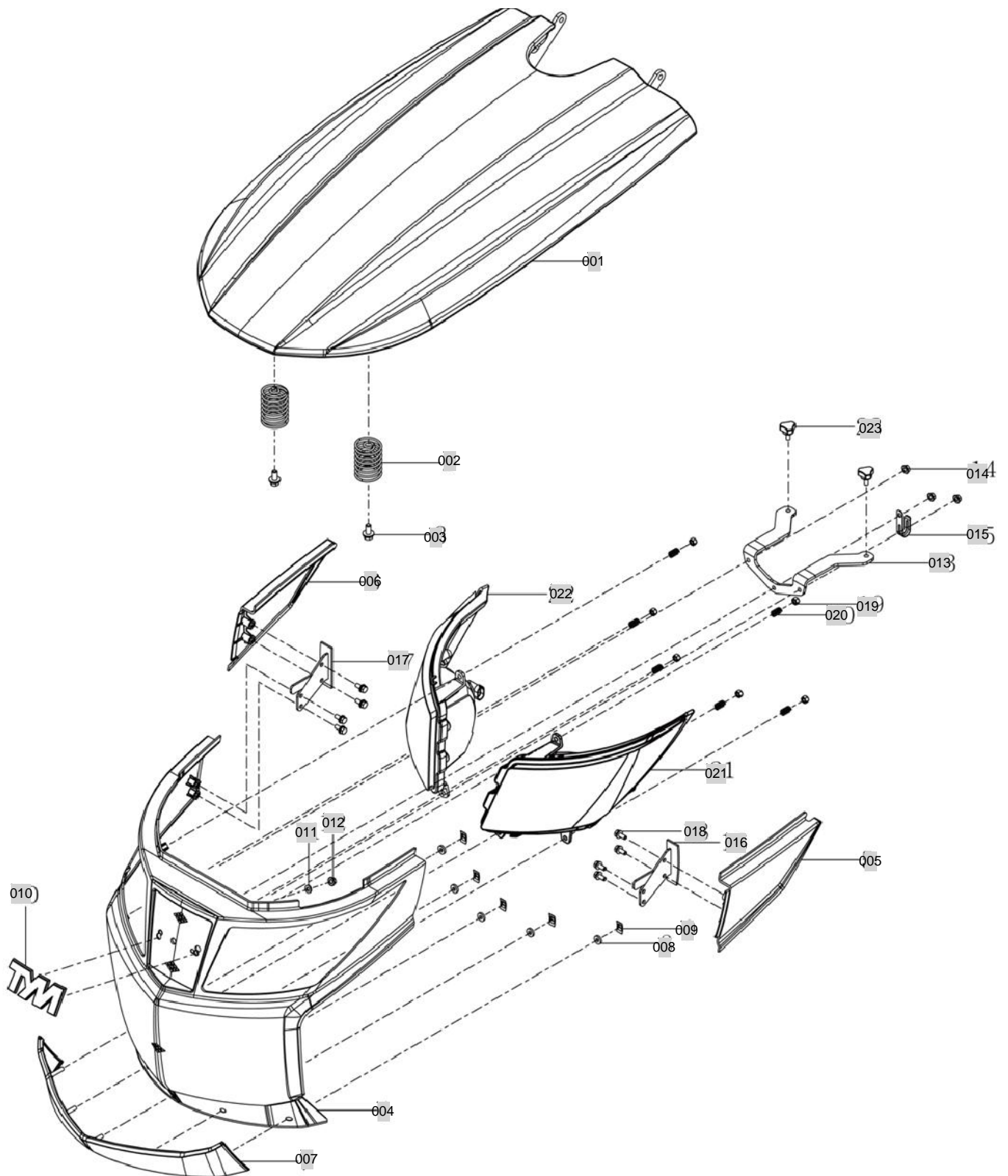
FIG 701(3)

BONNET (2019.01.03~)

년/월  
Year/Month

T254NC

2020.07



NOTE



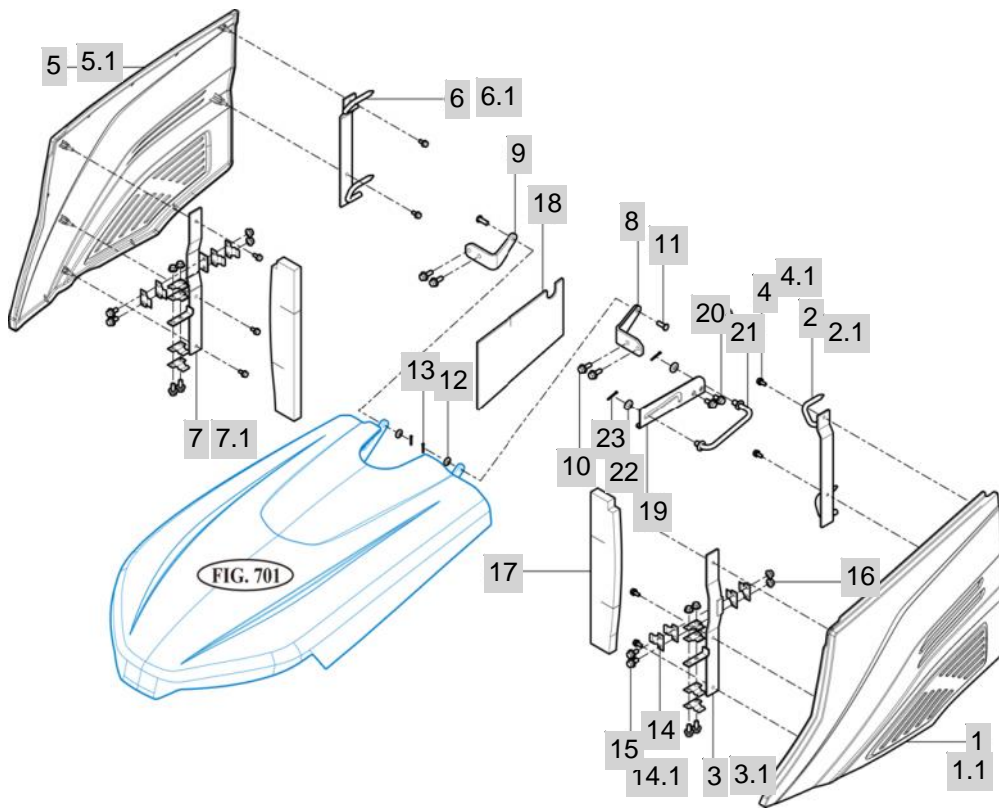
FIG 701(4)

T254NC

BONNET (~2015.11.04)

년/월  
Year/Month

2020.07



NOTE





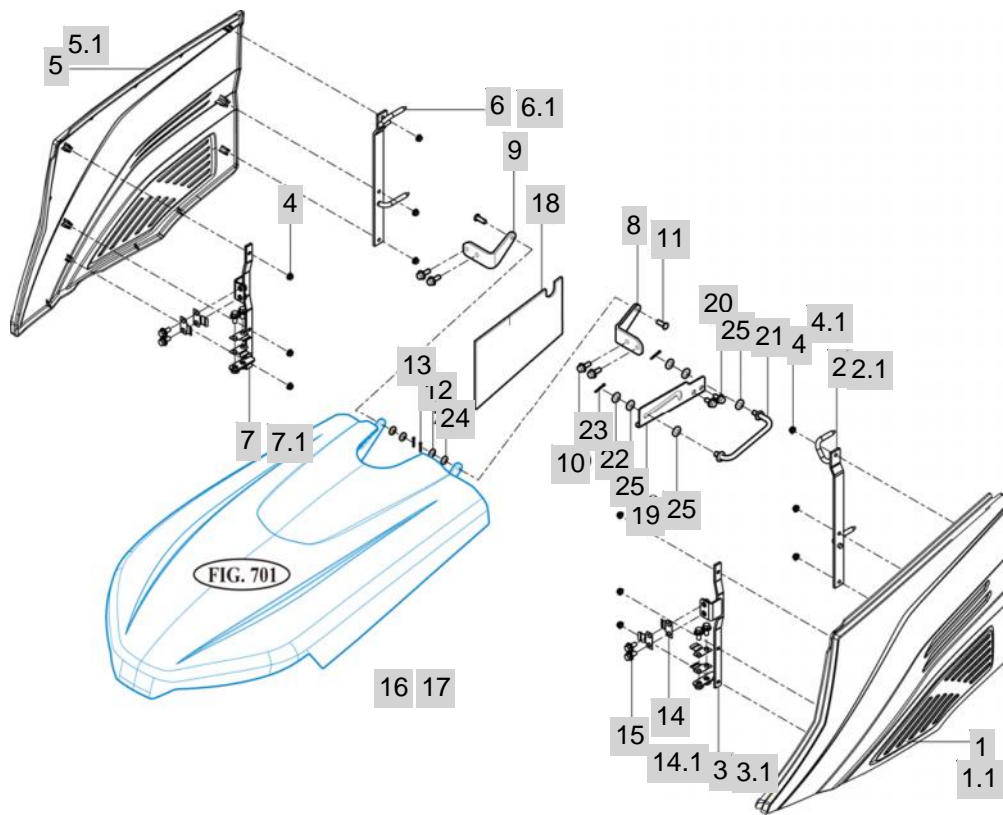
FIG 701(5)

BONNET (~2019.01.02)

년/월  
Year/Month

T254NC

2020.07



NOTE



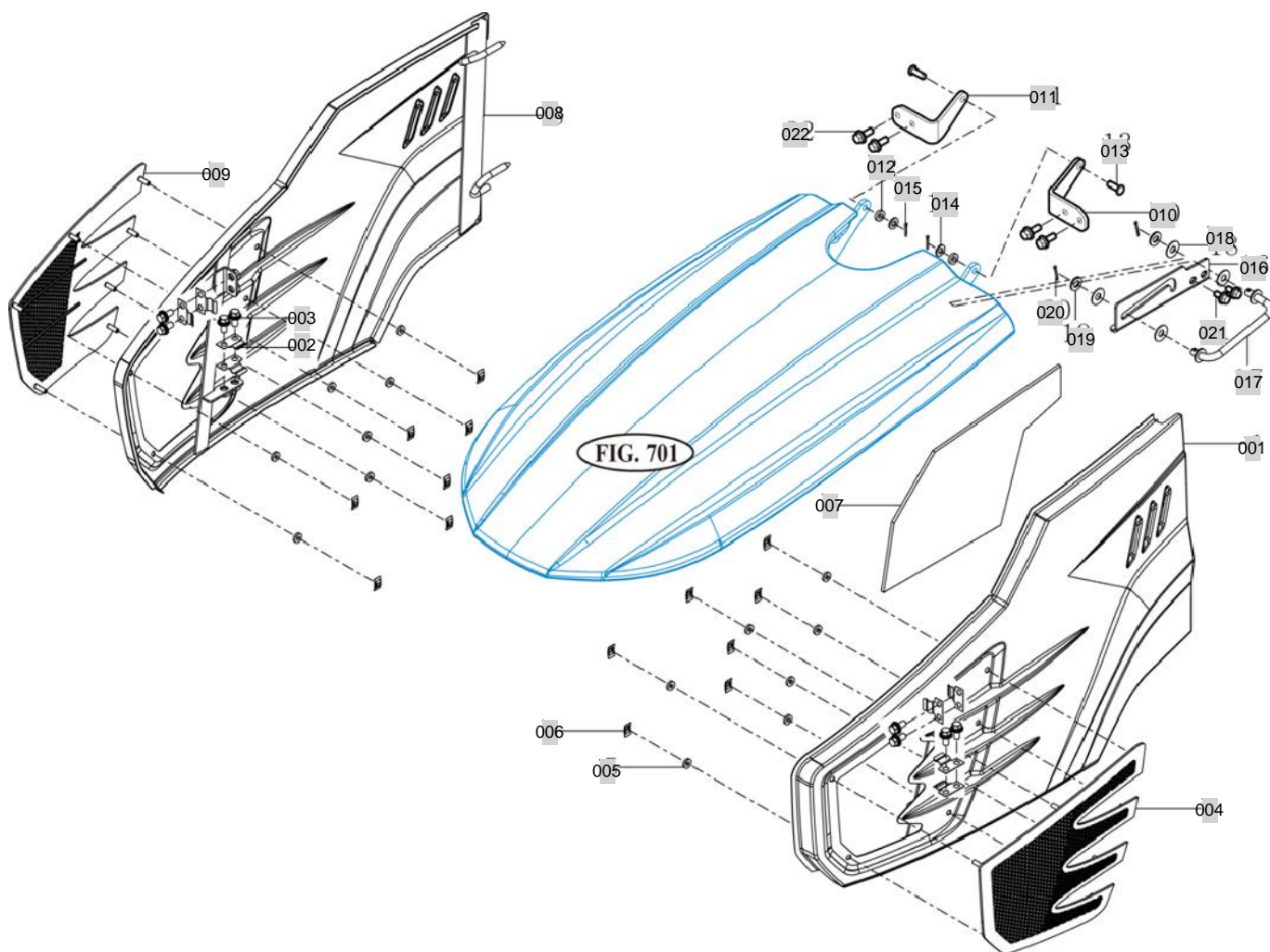
FIG 701(6)

BONNET (2019.01.03~)

년/월  
Year/Month

T254NC

2020.07



NOTE



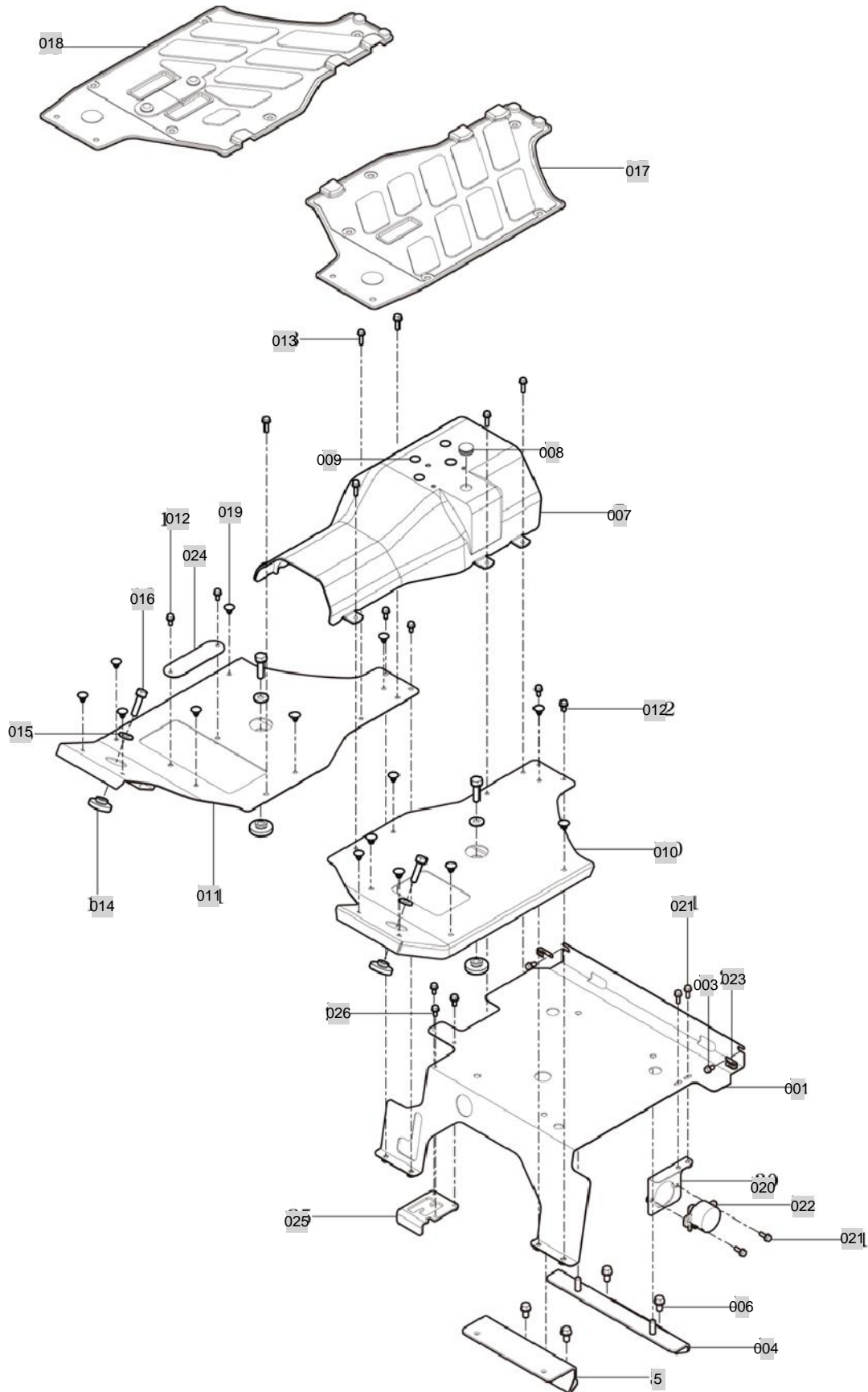
FIG 702

FLOOR

년/월  
Year/Month

2020.07

T254NC



NOTE



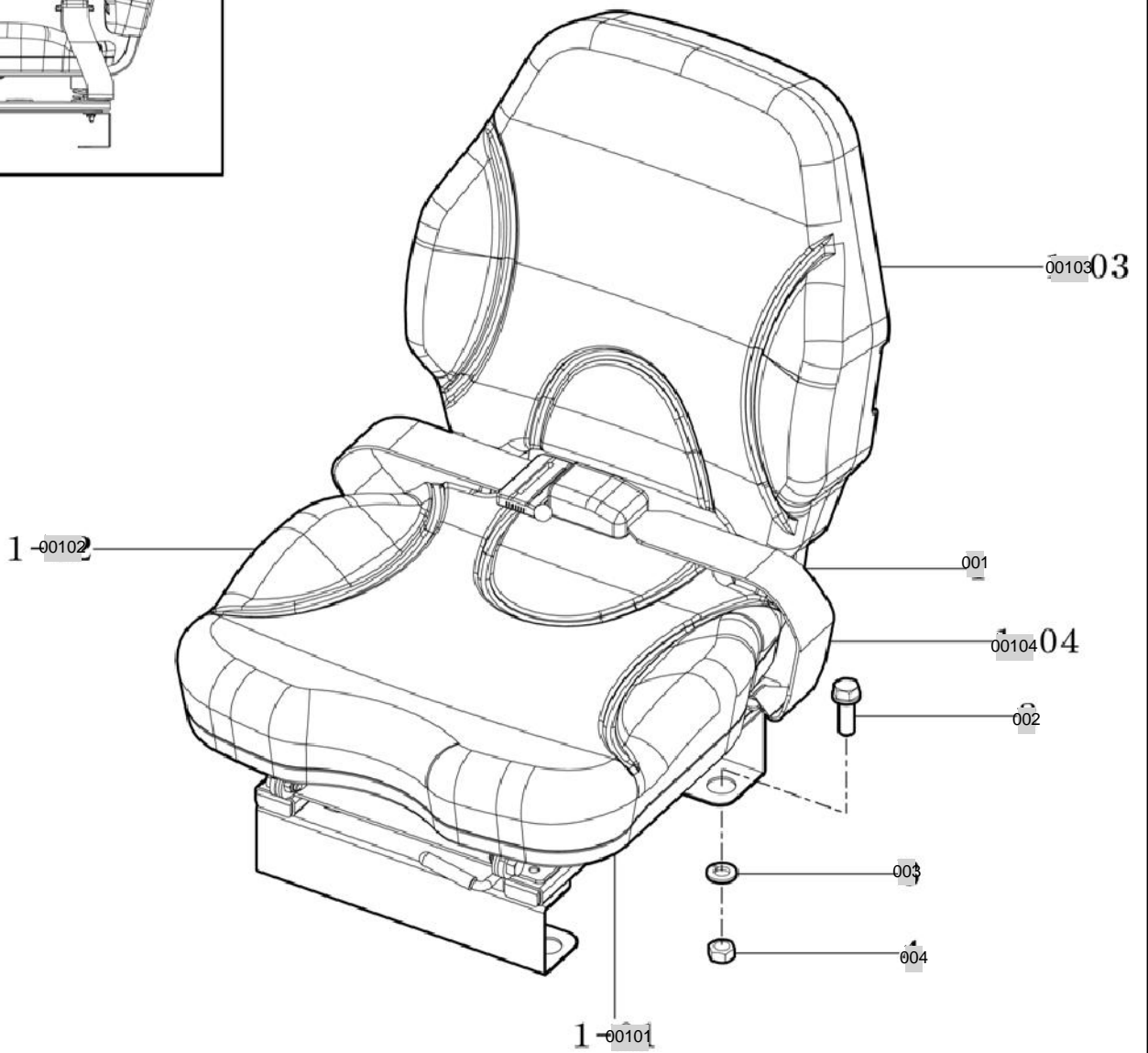
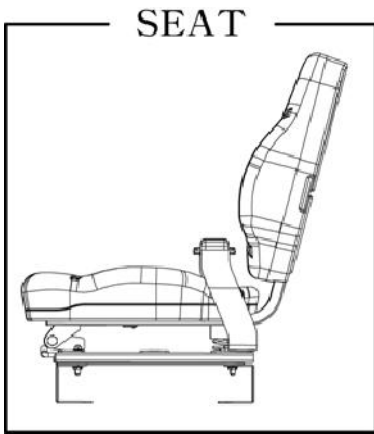
FIG 703

T254NC

SEAT

년/월  
Year/Month

2020.07



NOTE





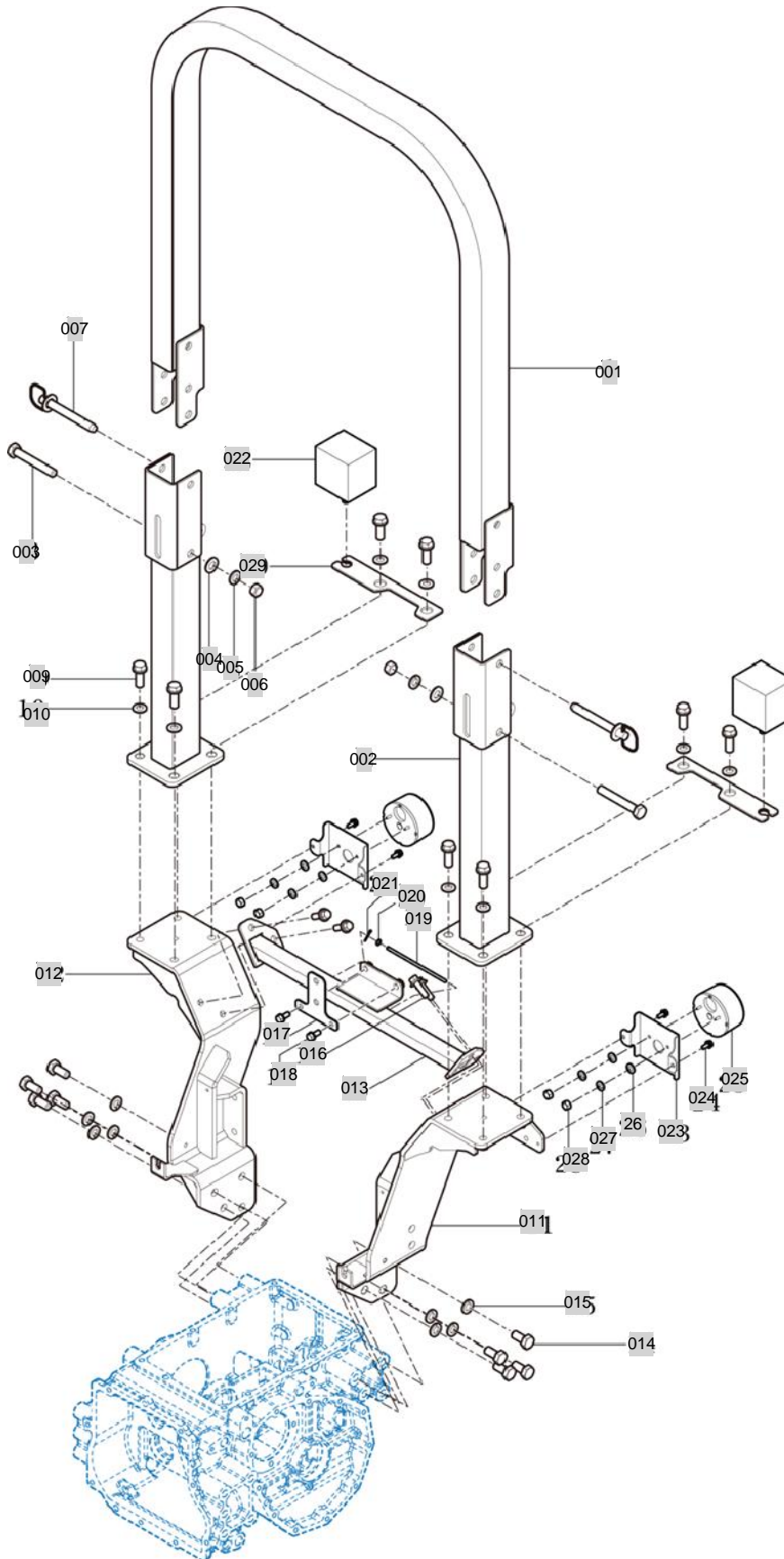
FIG 704

T254NC

ROPS

년/월  
Year/Month

2020.07



NOTE



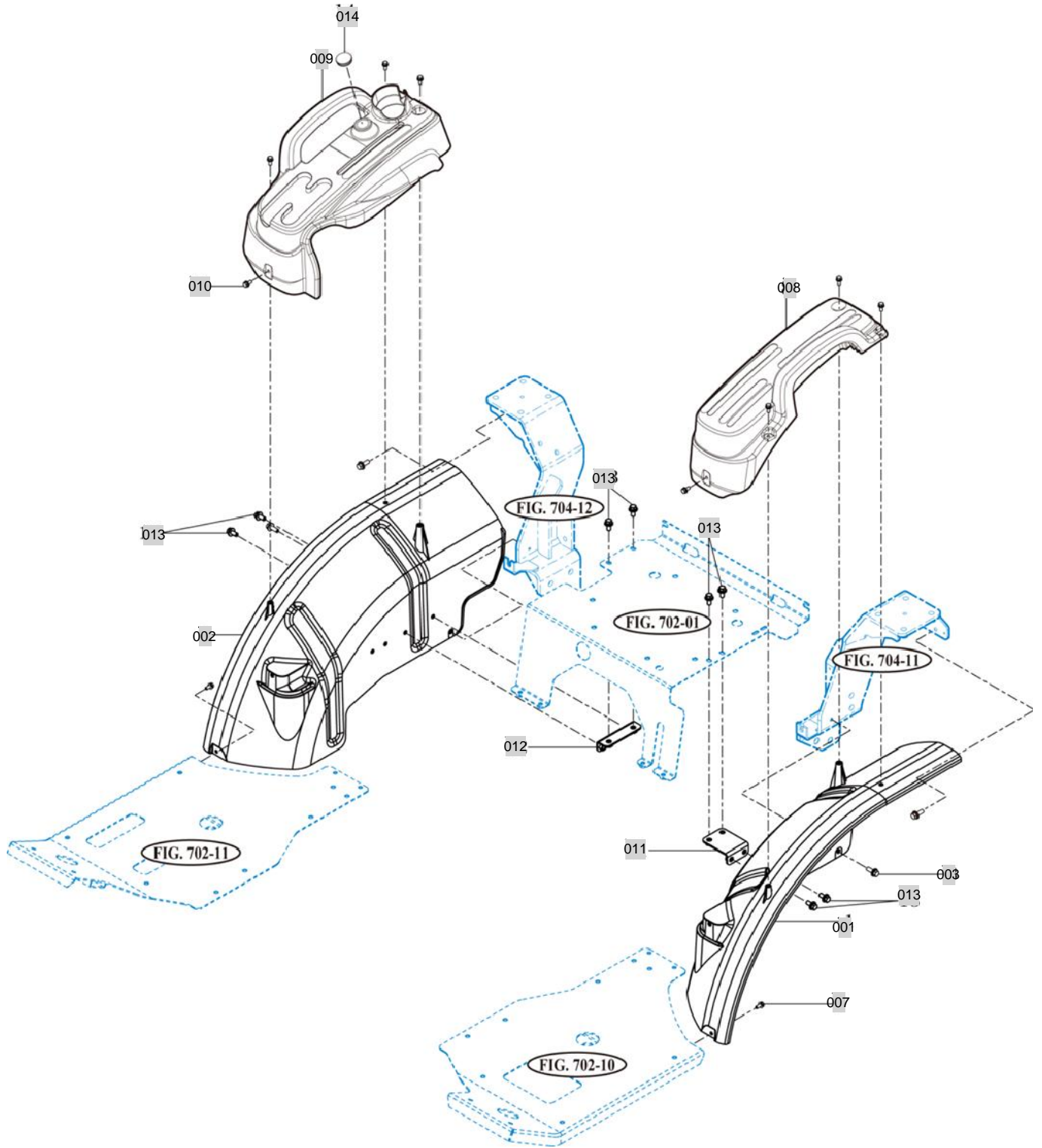
FIG 705

T254NC

LEVER COVER & FENDER

년/월  
Year/Month

2020.07



NOTE



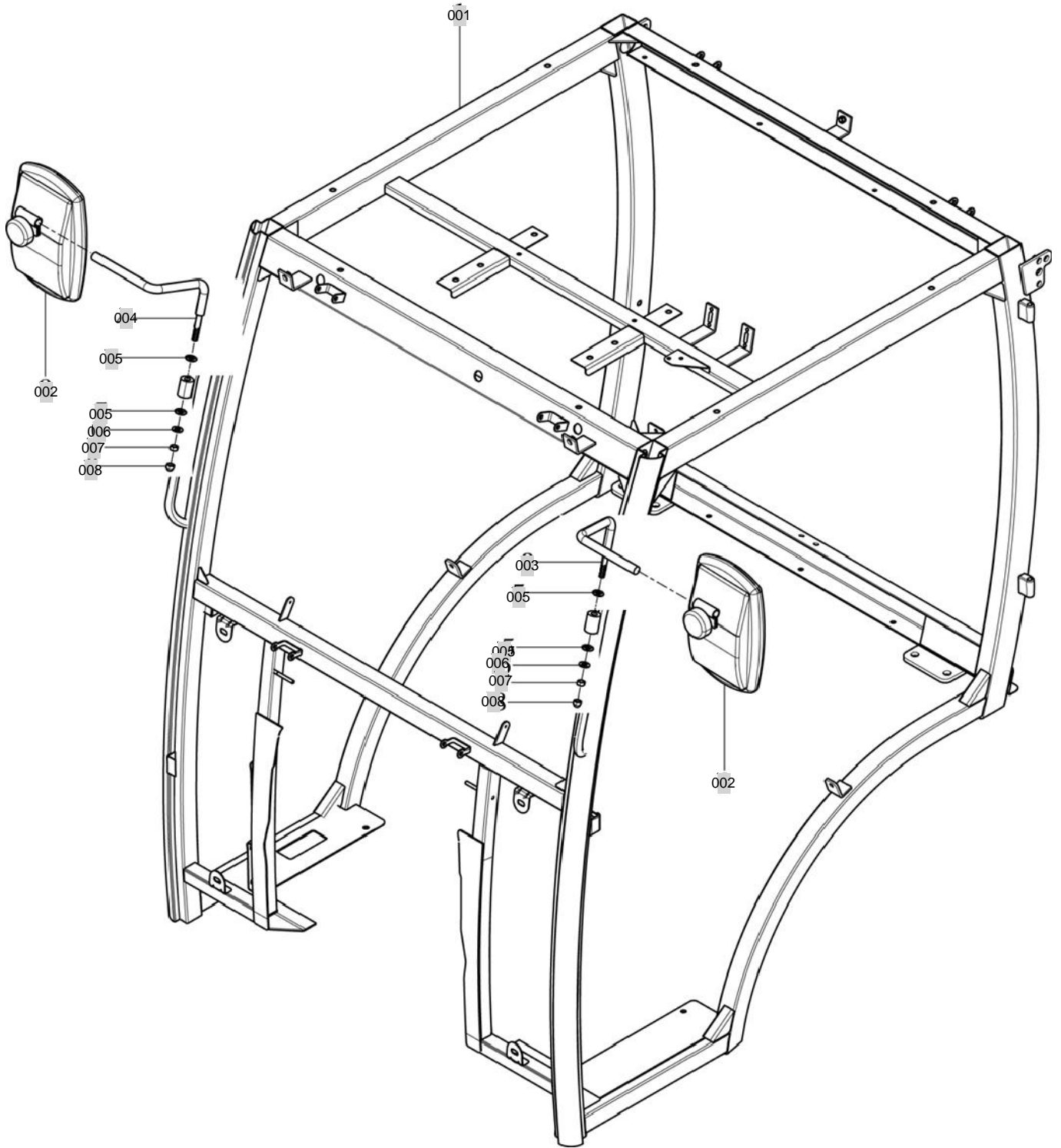
FIG 706

REARVIEW MIRRORS

년/월  
Year/Month

2020.07

T254NC



NOTE



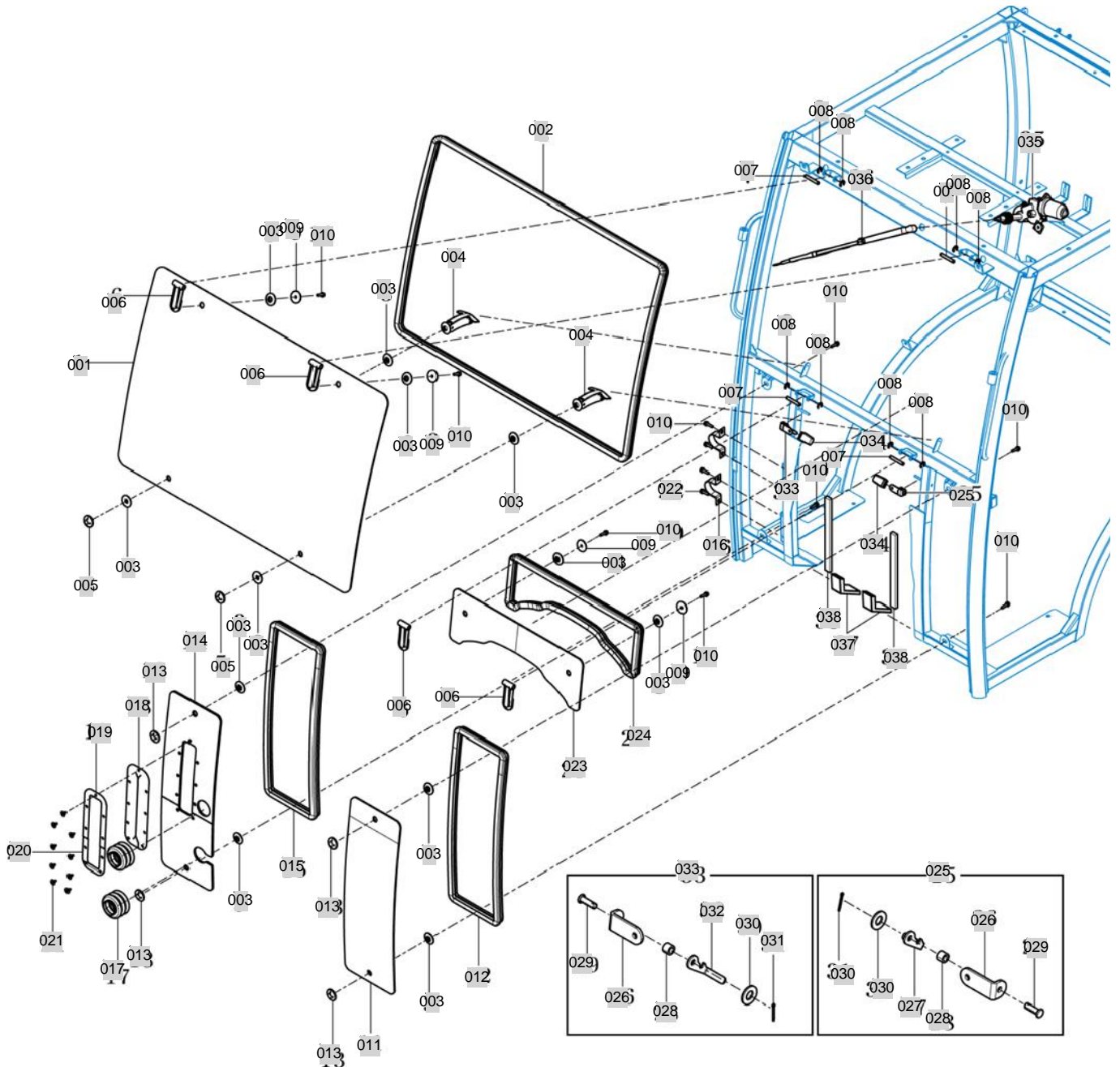
FIG 707

FRONT GLASS

년/월  
Year/Month

T254NC

2020.07



NOTE





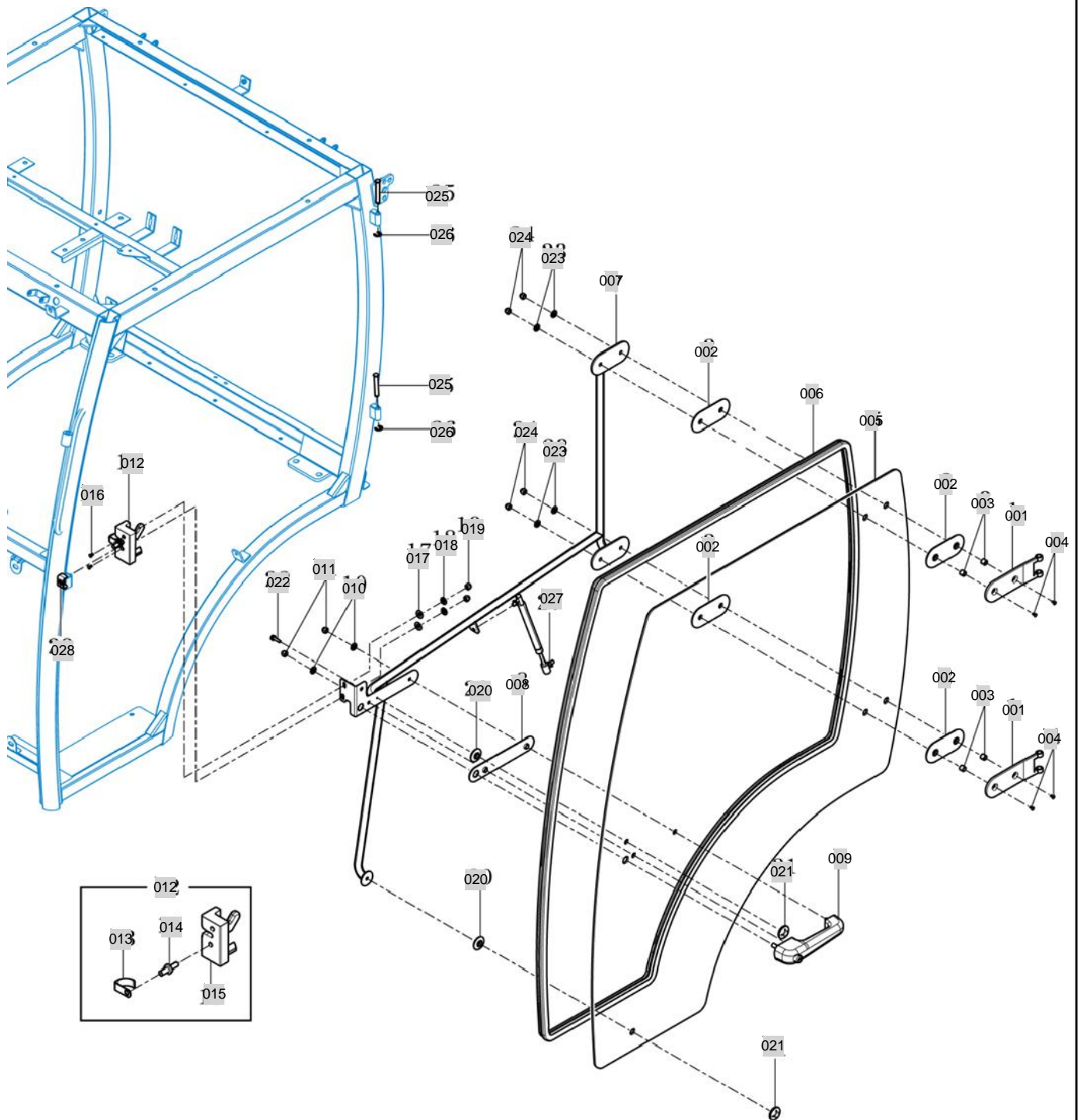
FIG 708

T254NC

DOOR-LH

년/월  
Year/Month

2020.07



NOTE



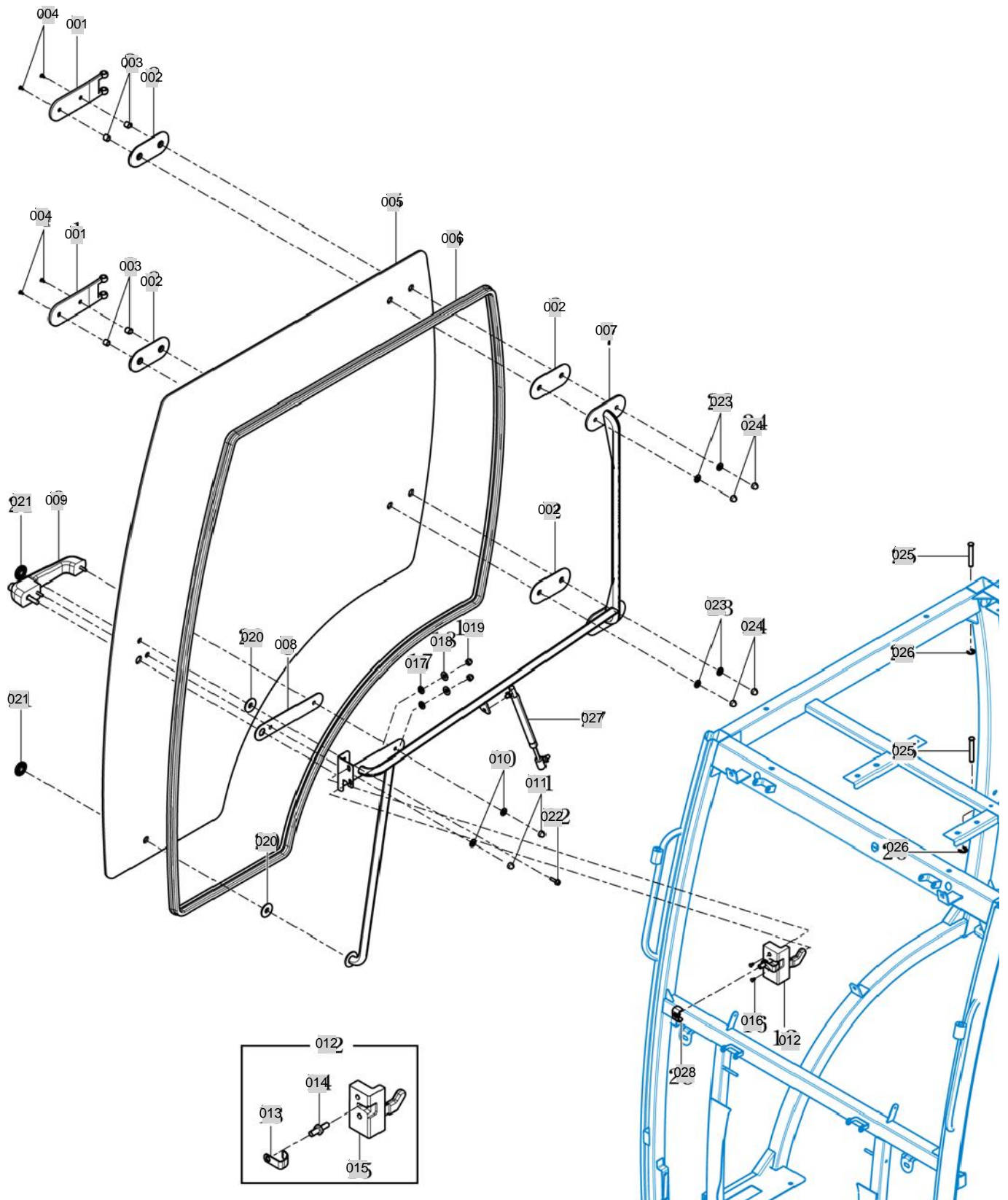
FIG 709

DOOR-RH

년/월  
Year/Month

T254NC

2020.07



NOTE



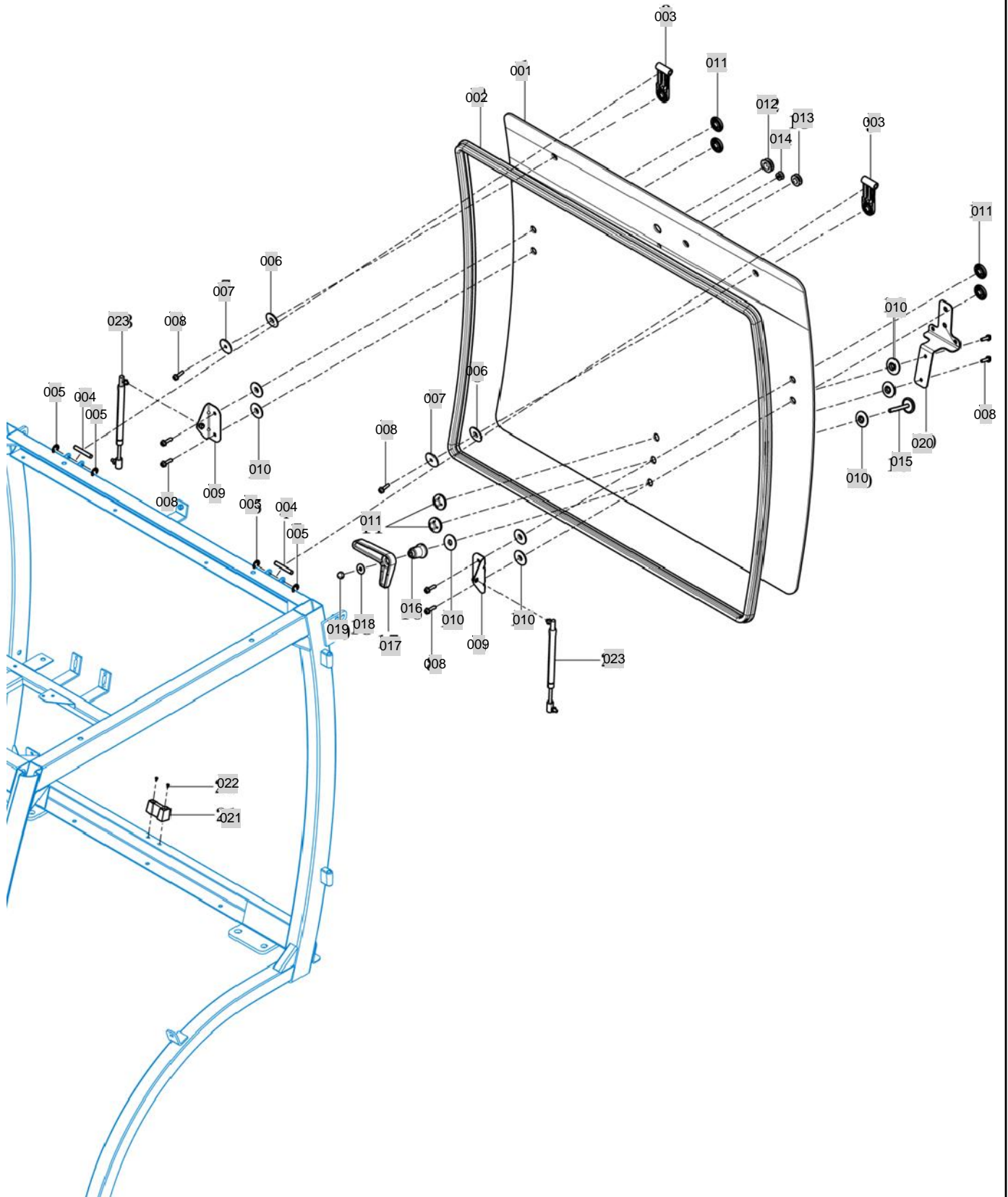
FIG 710

T254NC

REAR GLASS

년/월  
Year/Month

2020.07



NOTE



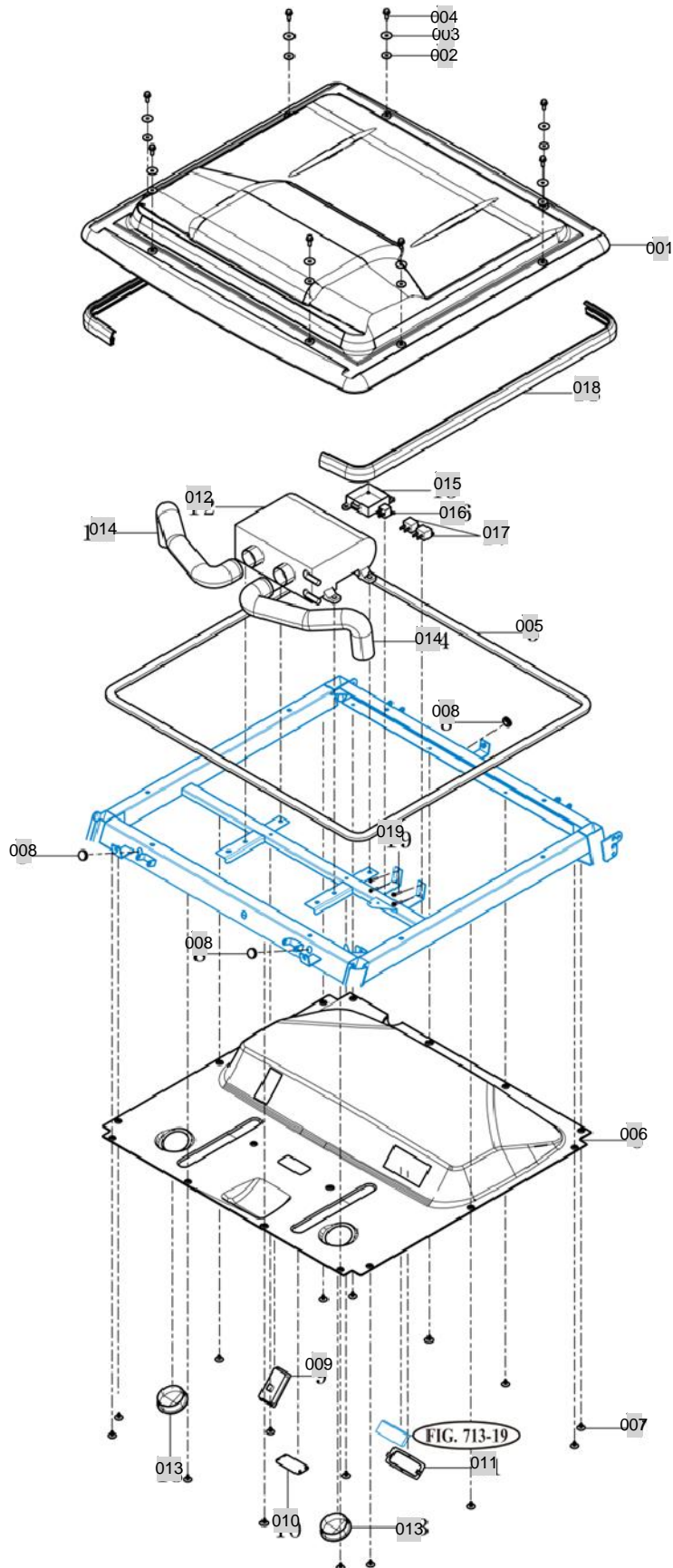
FIG 711

T254NC

ROOF

년/월  
Year/Month

2020.07



NOTE



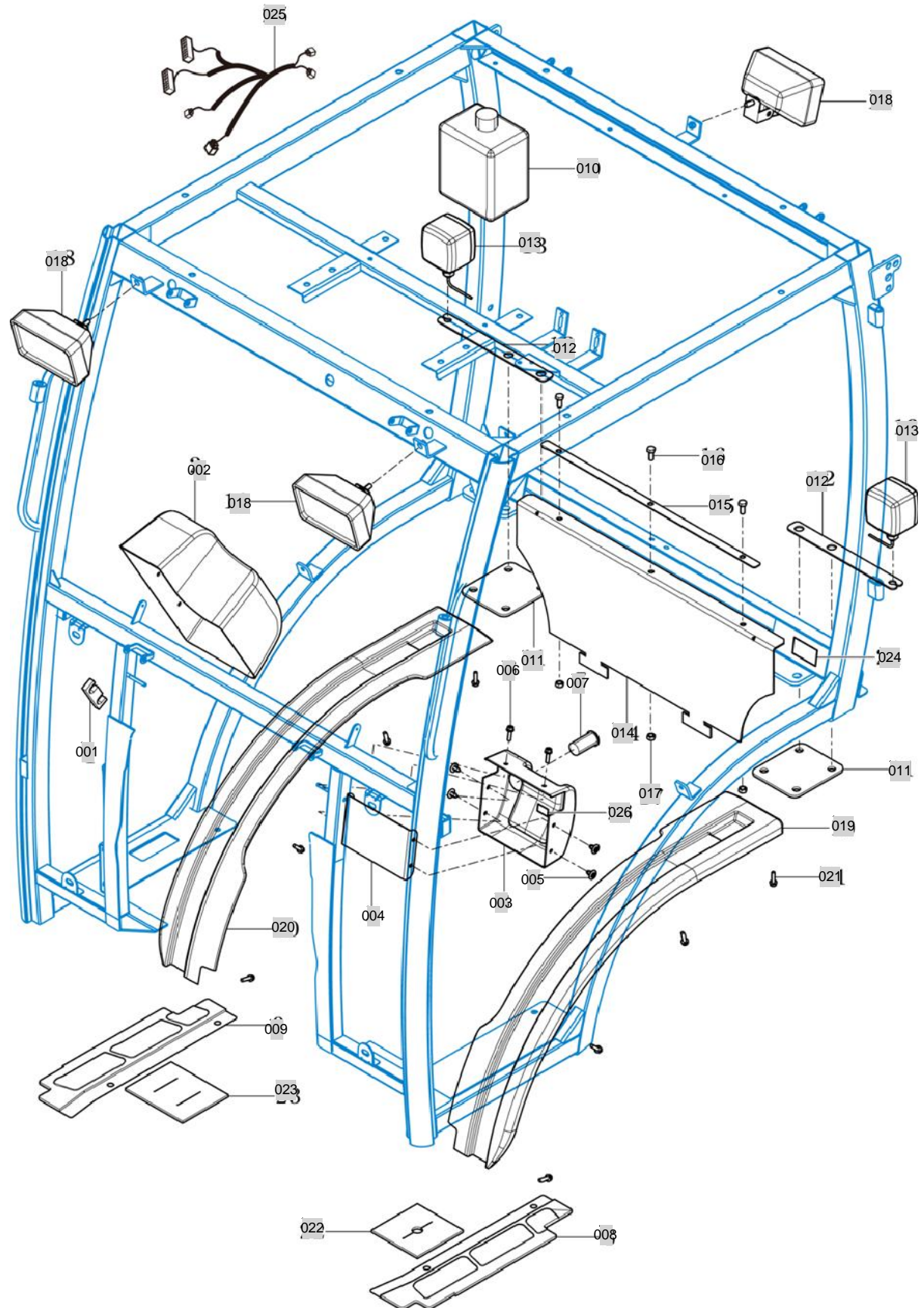


FIG 712

WORKING LAMP & FENDER COVER

년/월  
Year/Month

2020.07



NOTE



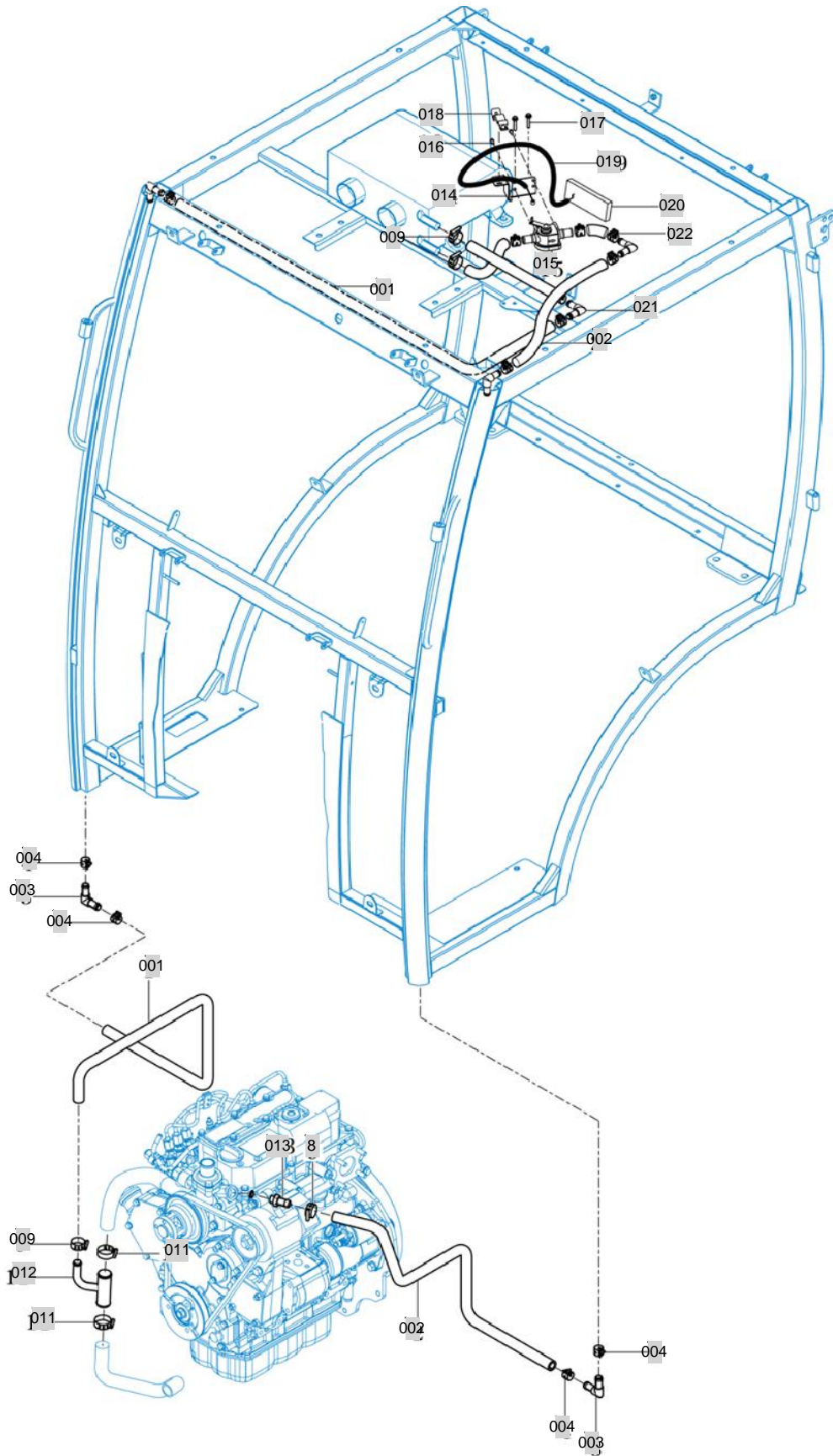
FIG 713

HEATER SUB

년/월  
Year/Month

T254NC

2020.07



NOTE



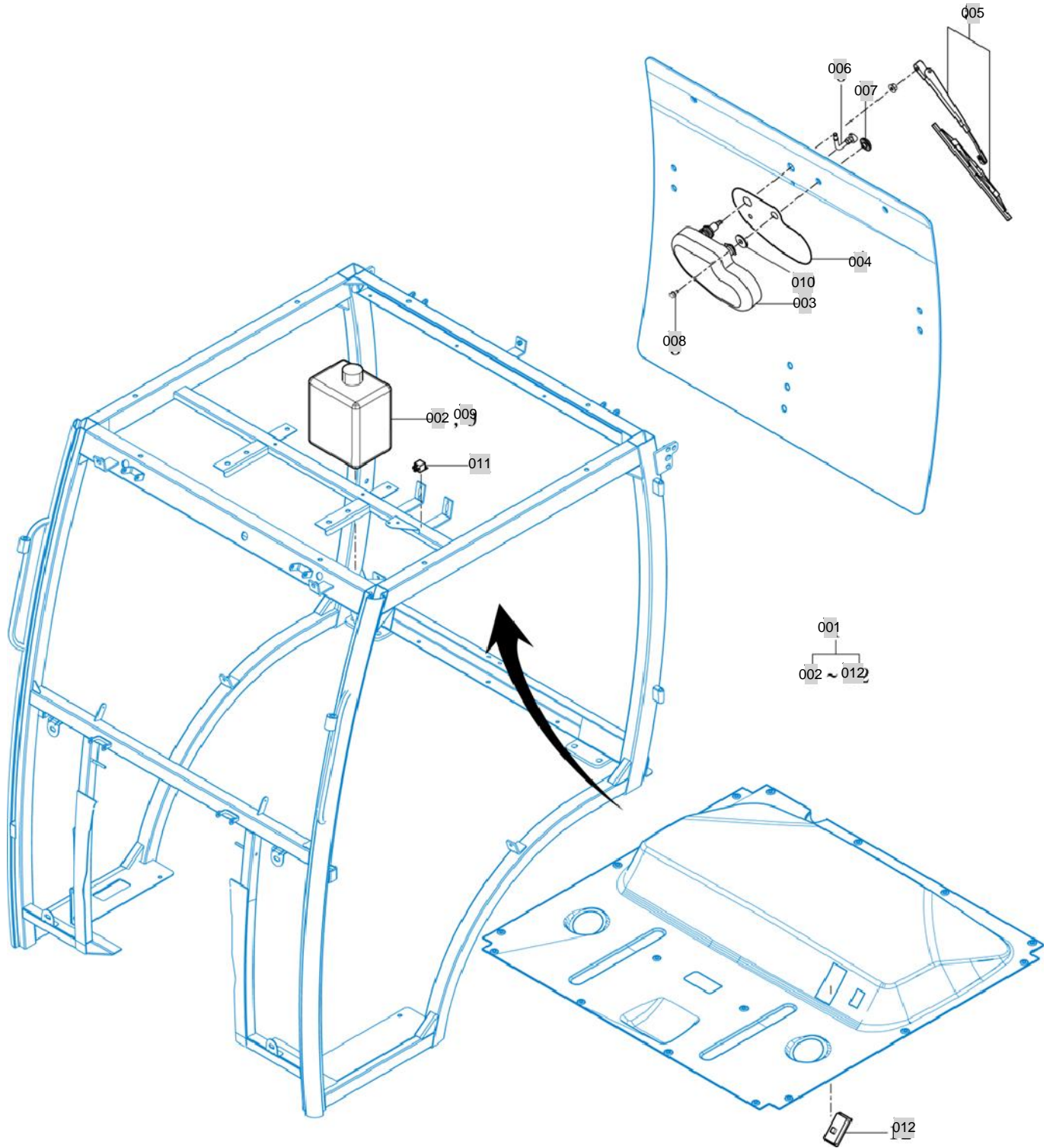
FIG 714

REAR WPER KIT(OPTION)

년/월  
Year/Month

T254NC

2020.07



NOTE



## 8. ELECTRICALS & HARNESS PART NO. T254NC-C8

FIG 801 BATTERY MOUNTING	177
FIG 802 INSTRUMENT PANEL	179
FIG 803 HARNESS	181
FIG 804 HARNESS	183
FIG 805 HARNESS	185



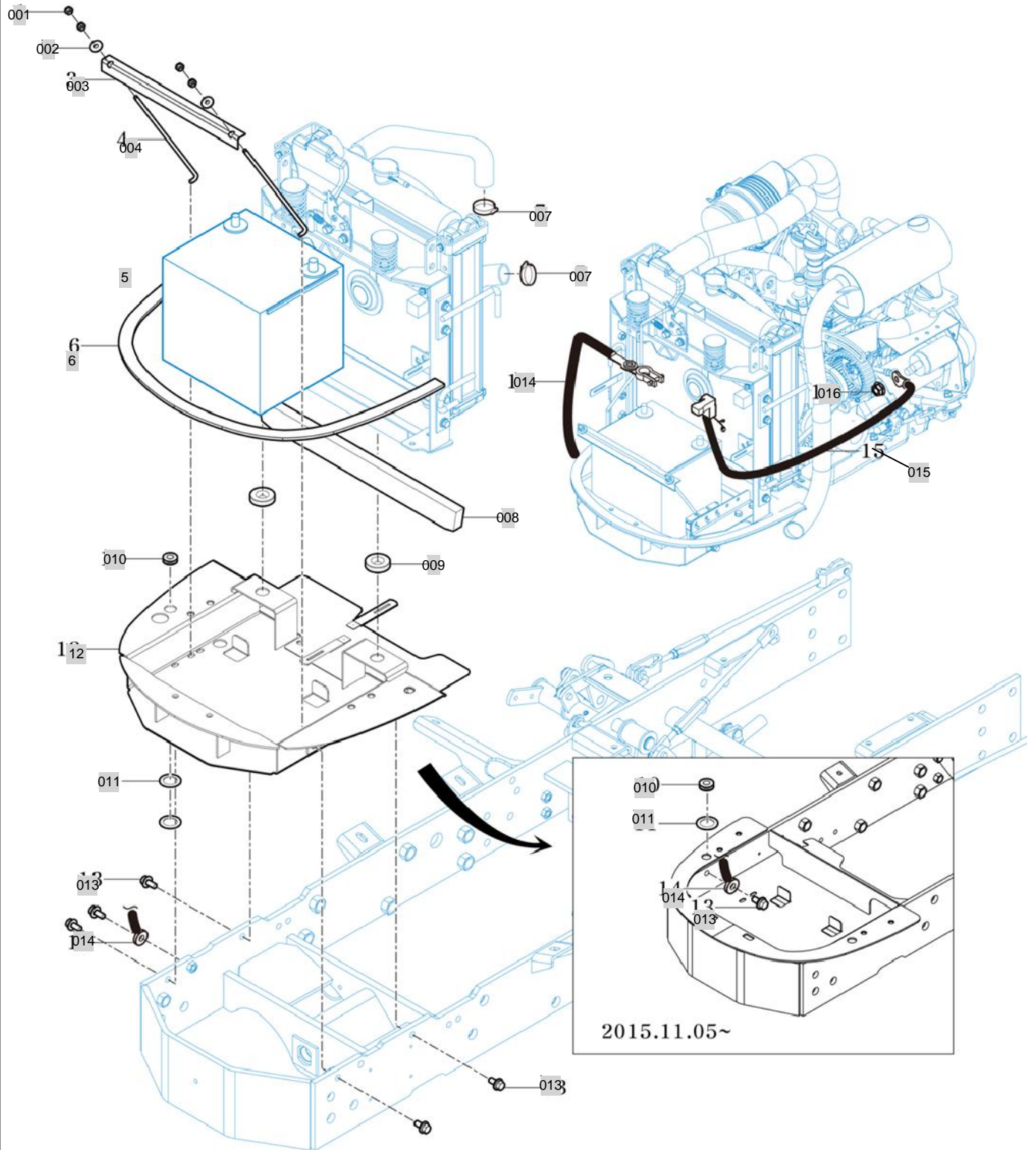
FIG 801

BATTERY MOUNTING

년/월  
Year/Month

T254NC

2020.07



NOTE



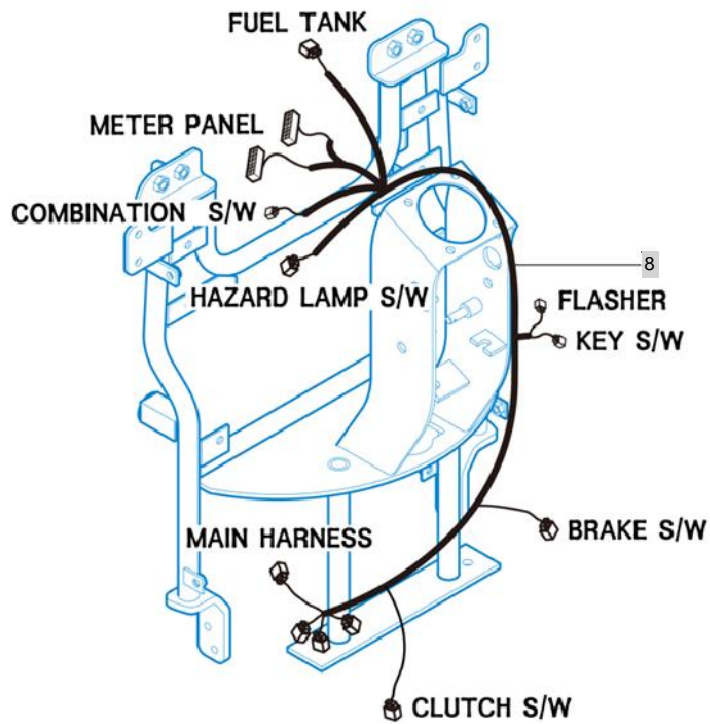
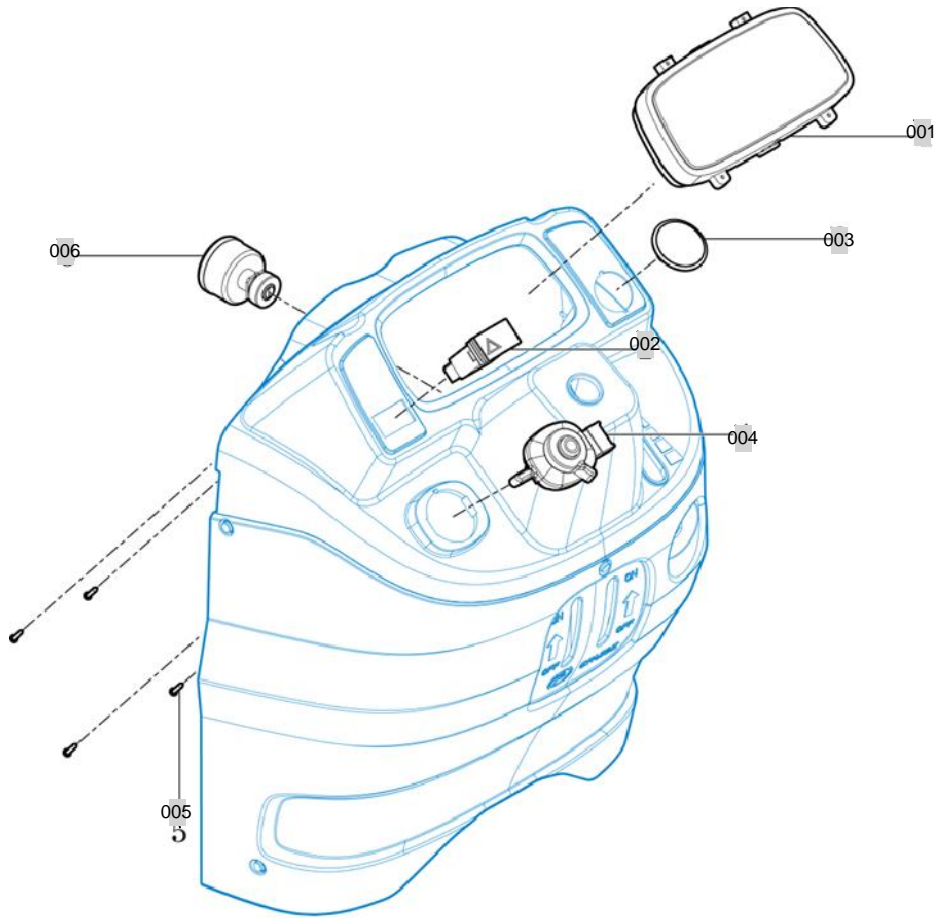
FIG 802

INSTRUMENT PANEL

년/월  
Year/Month

T254NC

2020.07



NOTE



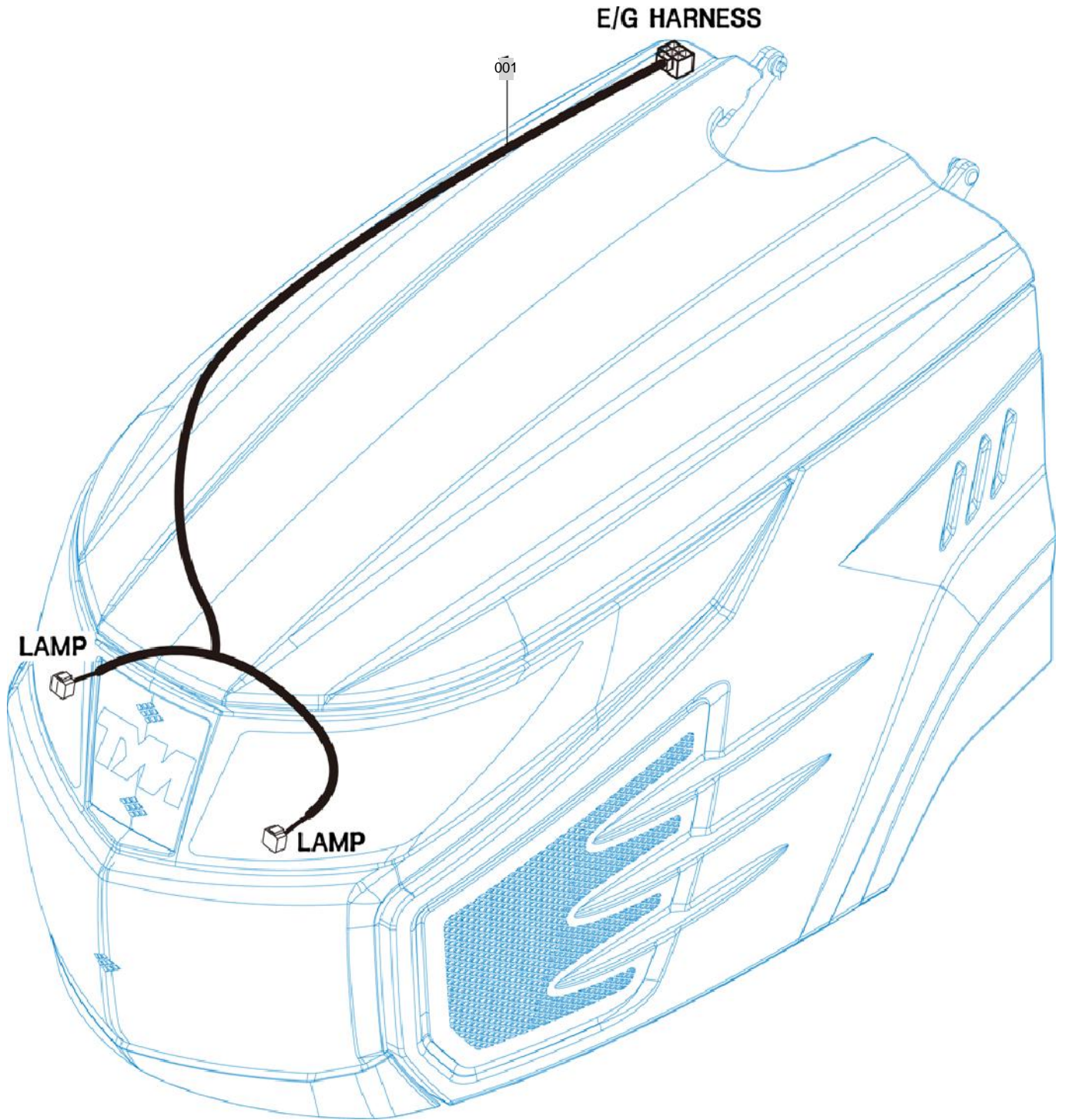
FIG 803

HARNESS

년/월  
Year/Month

T254NC

2020.07



NOTE



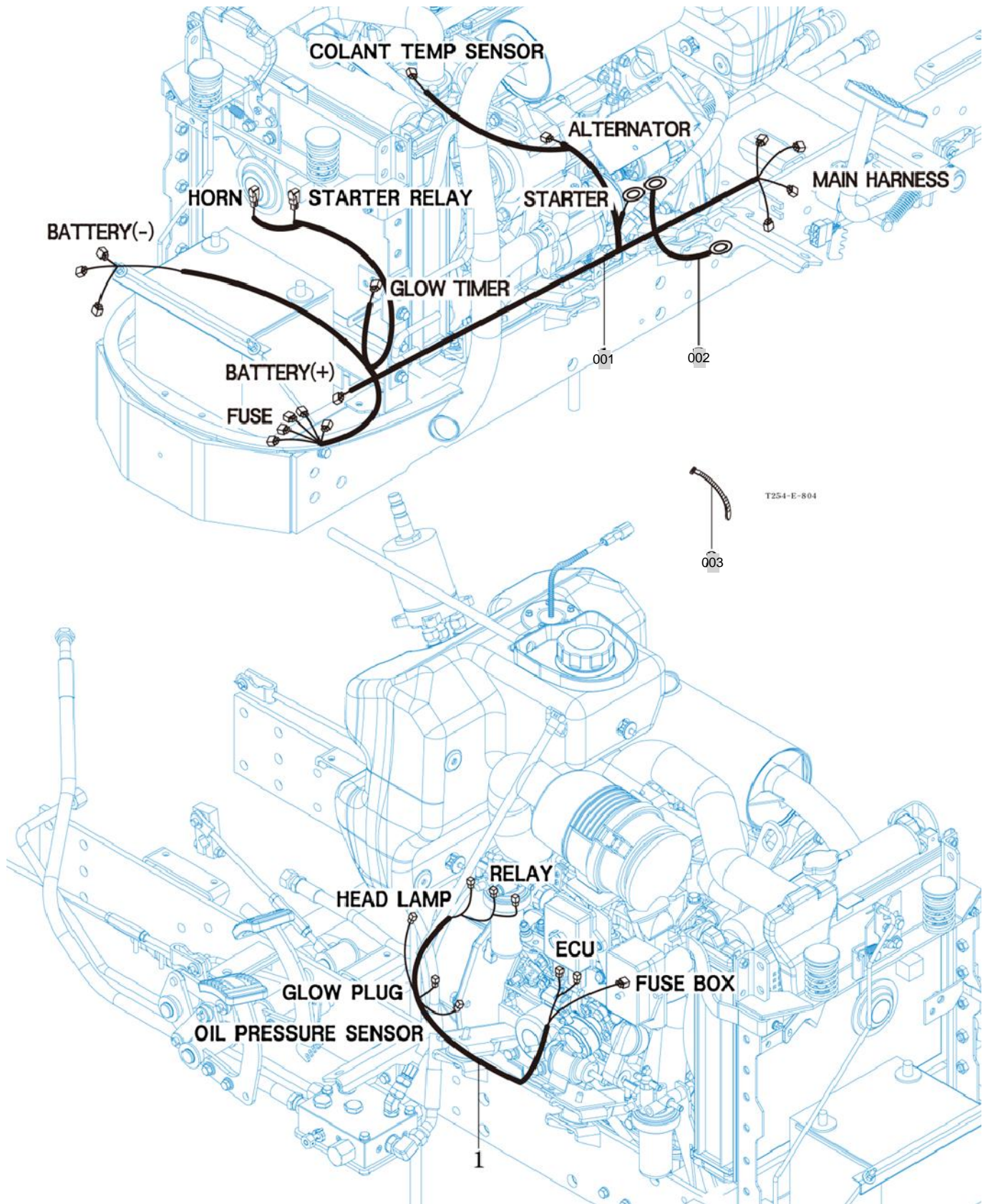
FIG 804

HARNESS

년/월  
Year/Month

2020.07

T254NC



NOTE





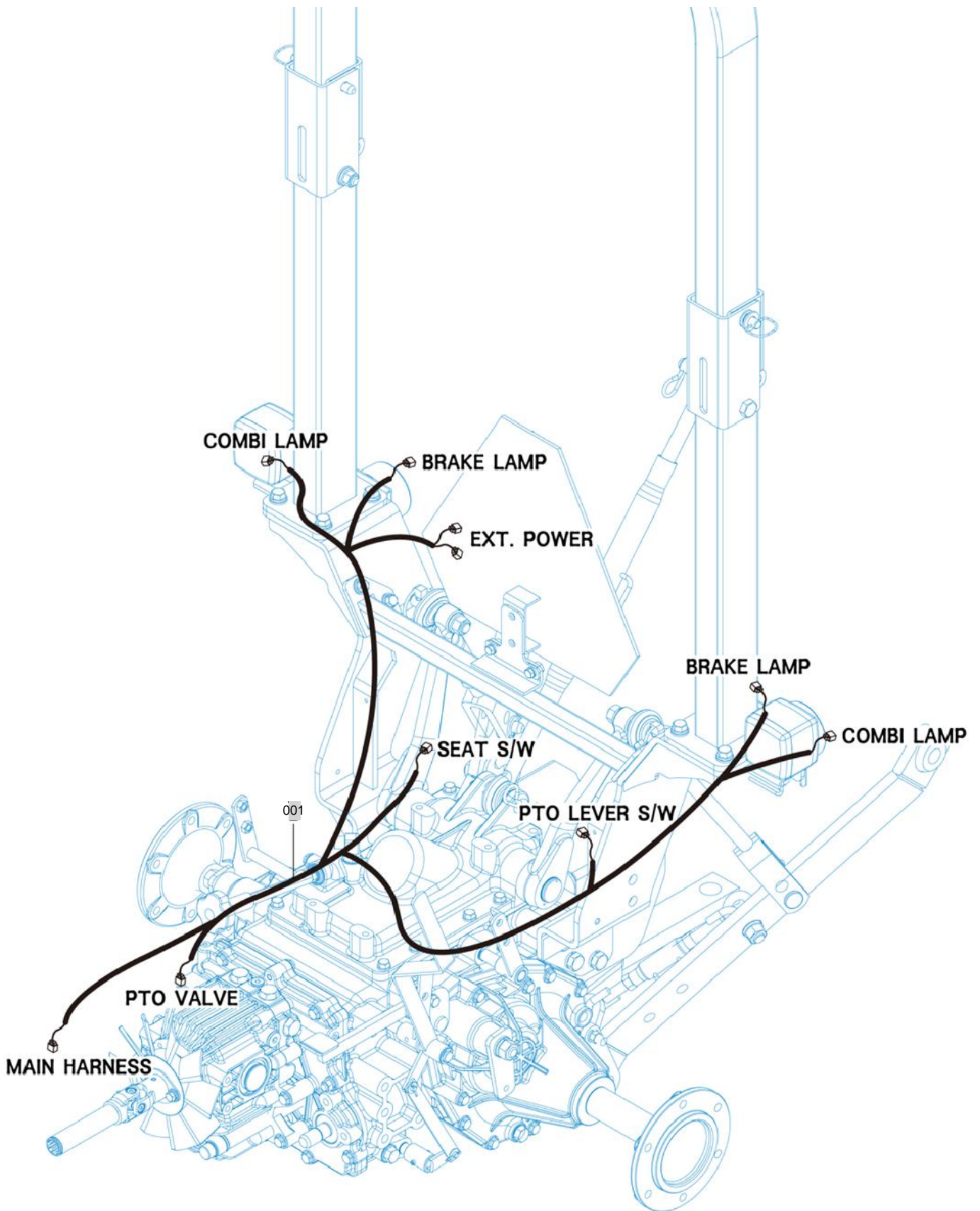
FIG 805

HARNESS

년/월  
Year/Month

T254NC

2020.07



NOTE



## 9. LABEL, TOOLS PART NO. T254NC-C9

FIG 901 TOOL & ACCESSORY	188
FIG 902 LABEL	190
FIG 903 LABEL	192
FIG 905 AUXILIARY VALVE KIT	194

FIG 901

T254NC

TOOL & ACCESSORY

년/월  
Year/Month

2020.07

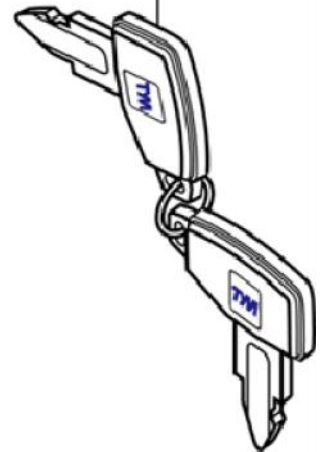
001



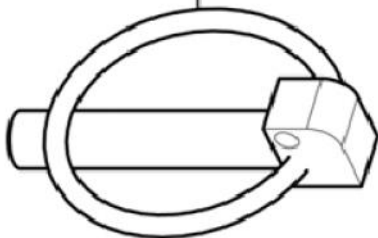
002



003



004



NOTE



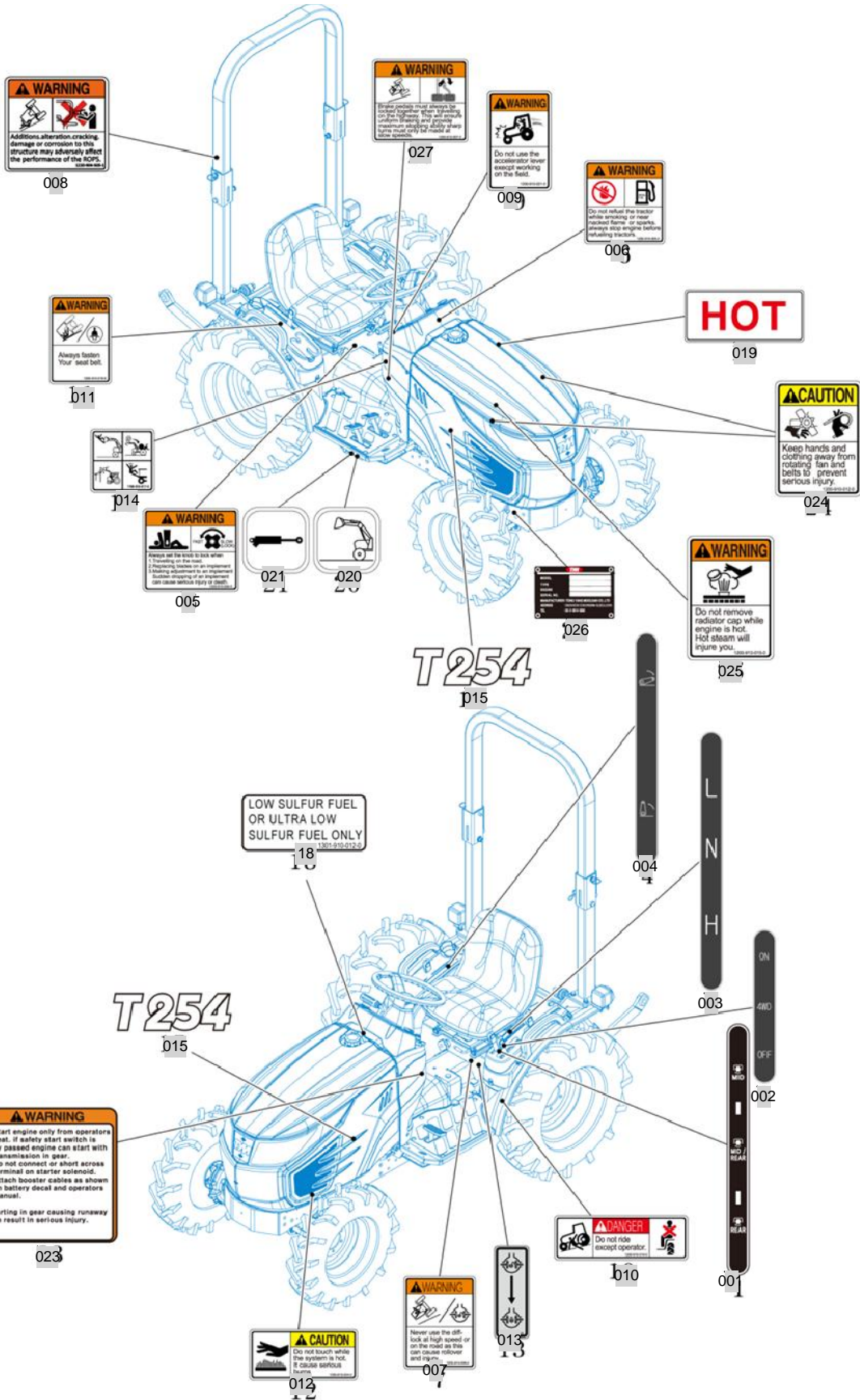
FIG 902

LABEL

년/월  
Year/Month

T254NC

2020.07



NOTE



FIG 903

LABEL

년/월  
Year/Month

T254NC

2020.07



002



006



001



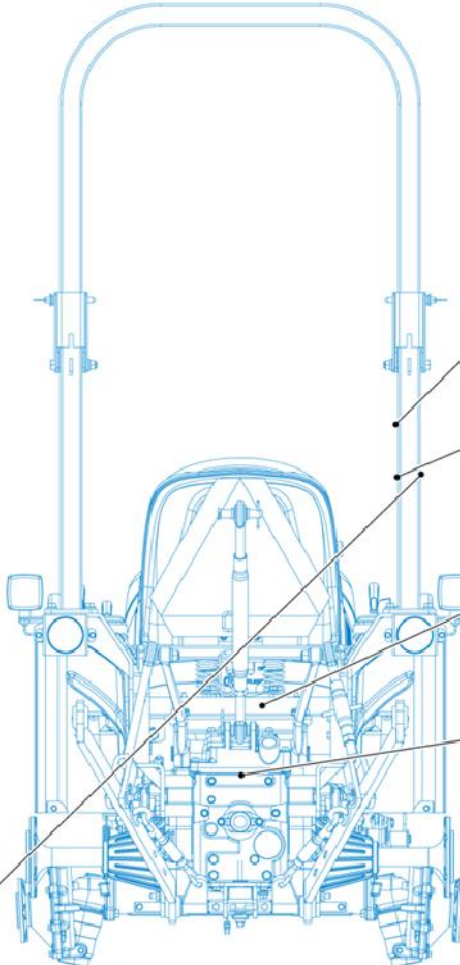
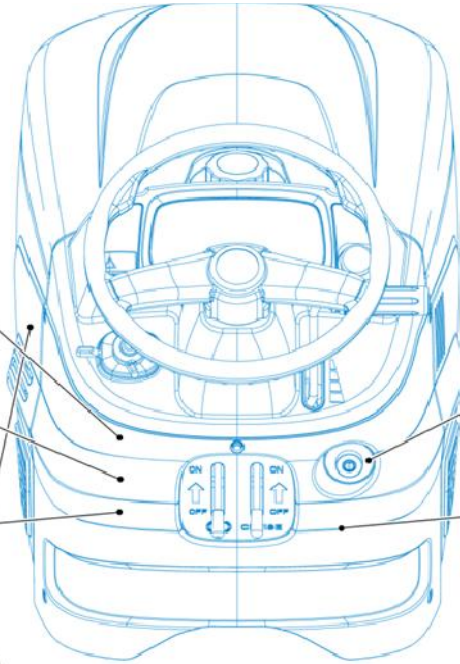
011



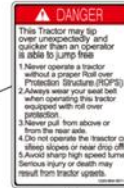
005



010



009



008



004



003



007

NOTE





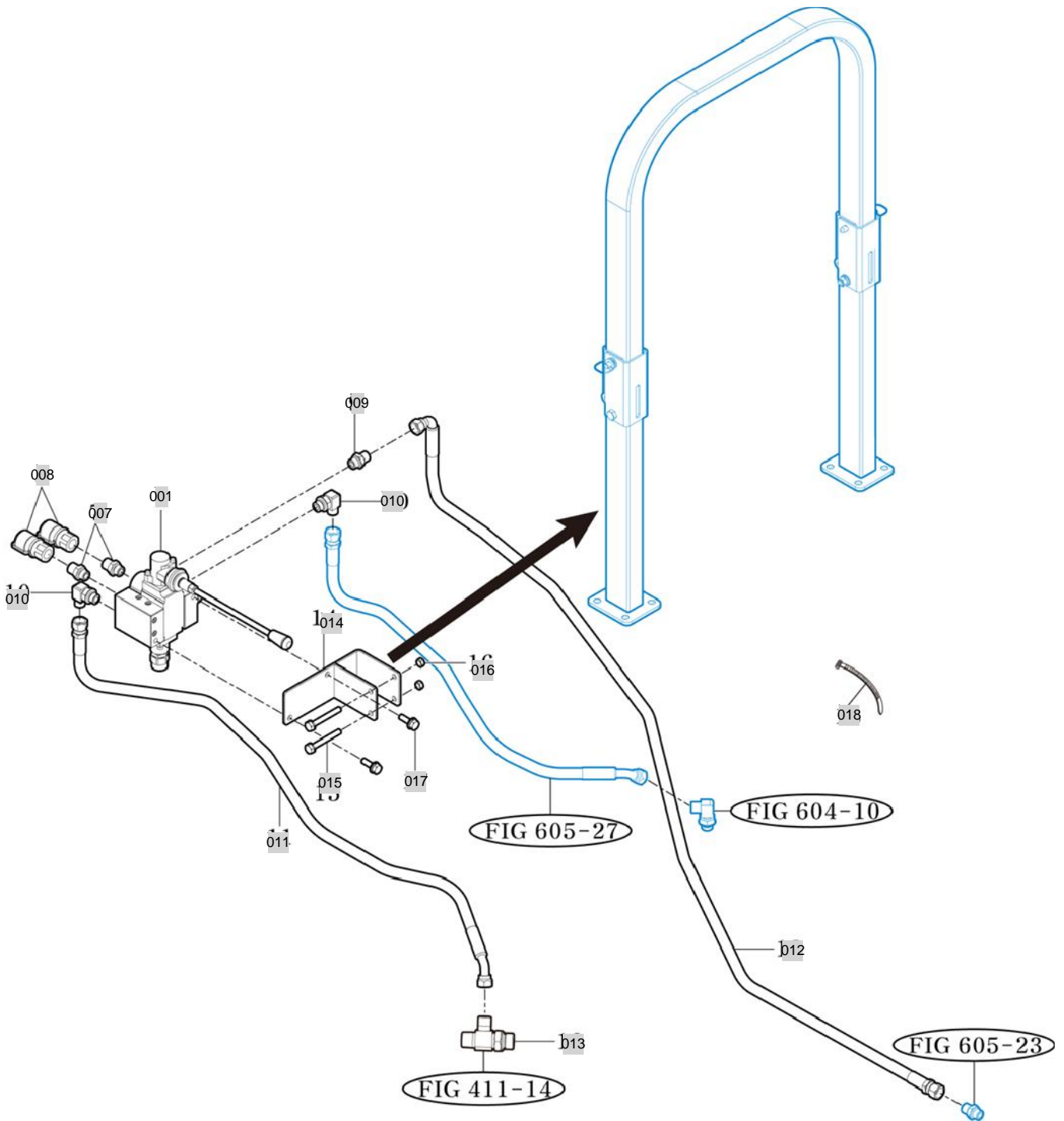
FIG 905

T254NC

AUXILIARY VALVE KIT

년/월  
Year/Month

2020.07



NOTE

