

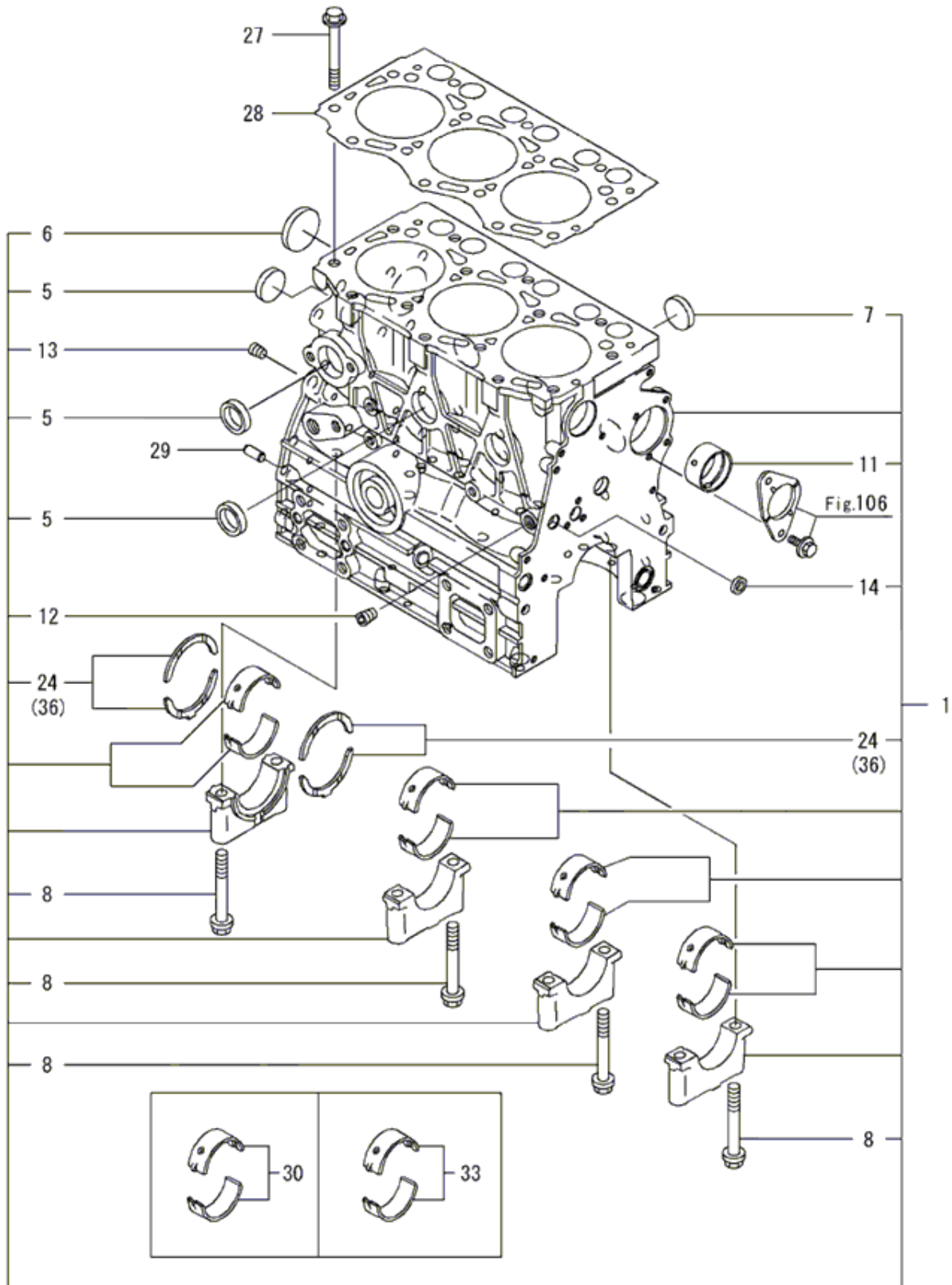
FIG

CYLINDER BLOCK(TS25)

년/월  
Year/Month

TS23NCEU

2020.08



NOTE

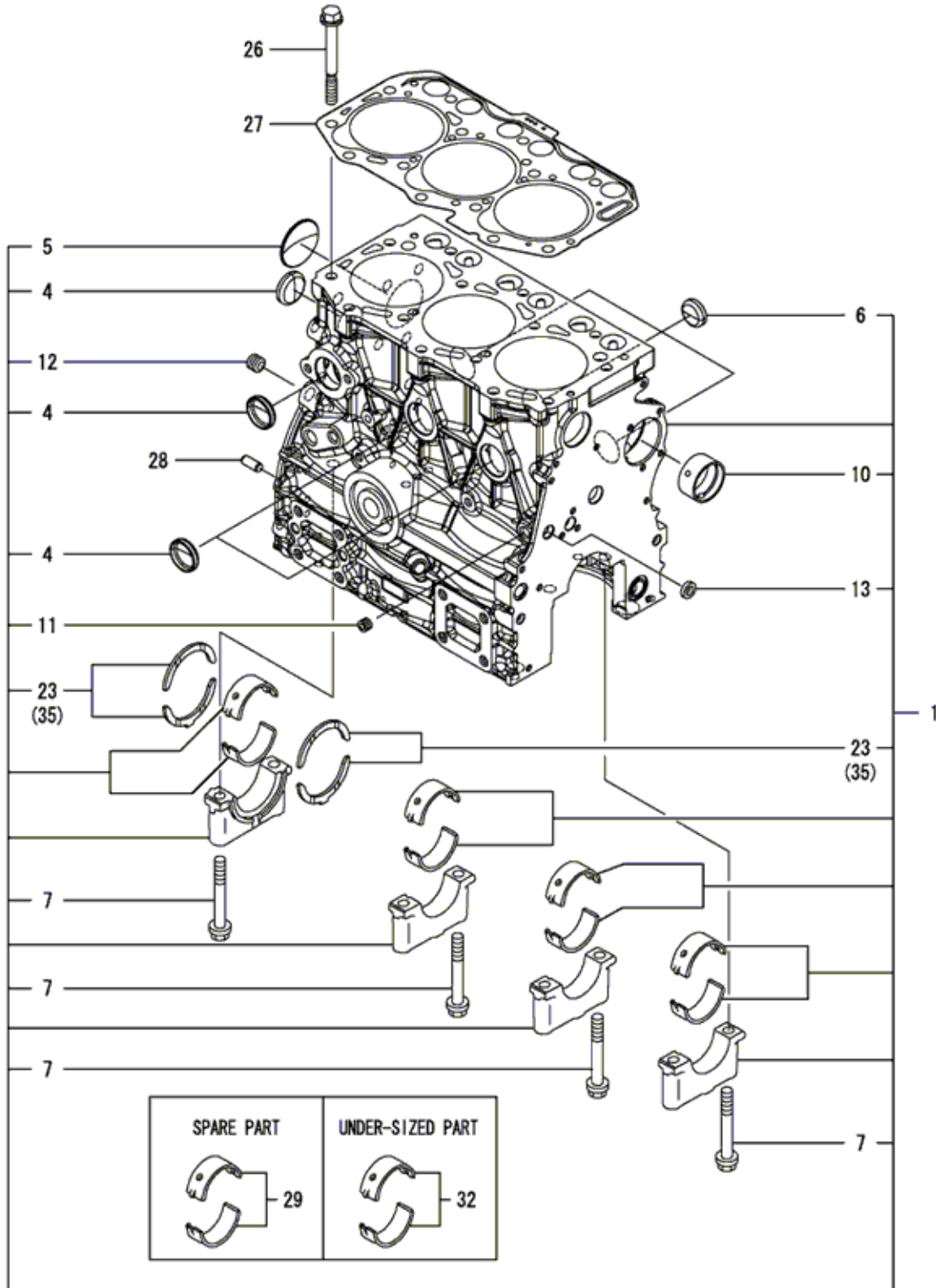
FIG

CYLINDER BLOCK(TS23)

년/월  
Year/Month

TS23NCEU

2020.08



NOTE



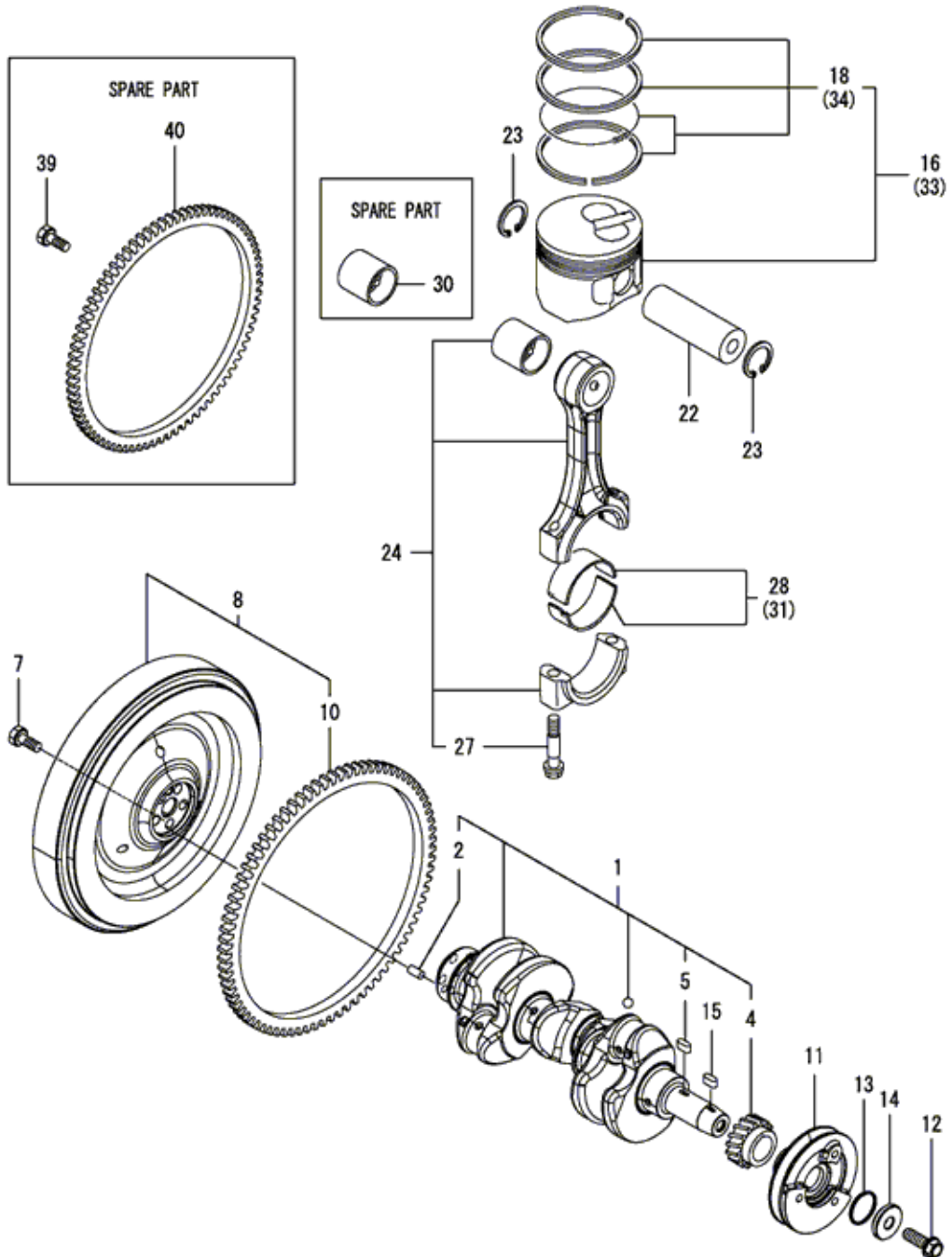
FIG

CRANKSHAFT & PISTON(TS23)

년/월  
Year/Month

TS23NCEU

2020.08



NOTE

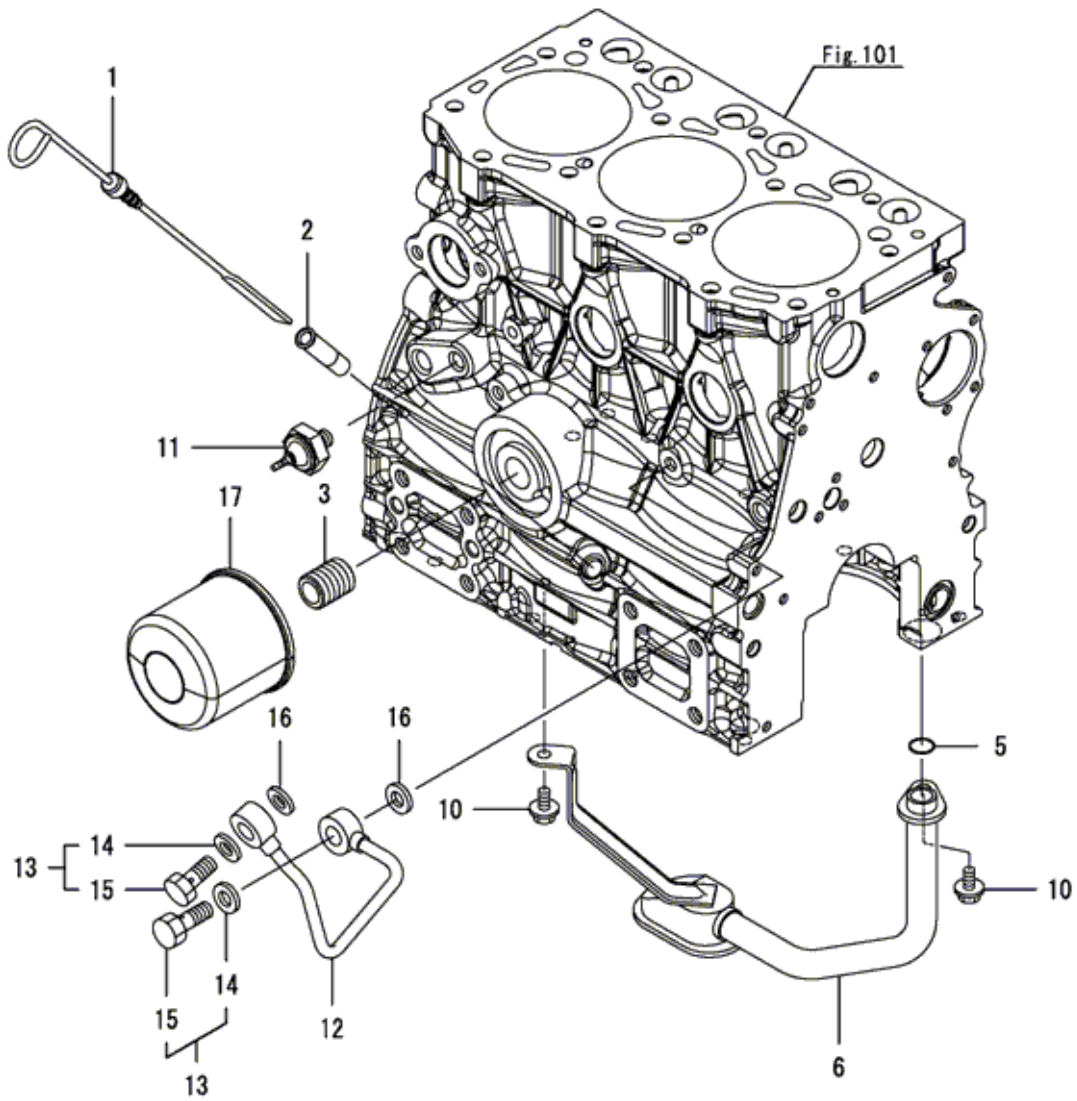
FIG

LUB. OIL SYSTEM

년/월  
Year/Month

TS23NCEU

2020.08



NOTE

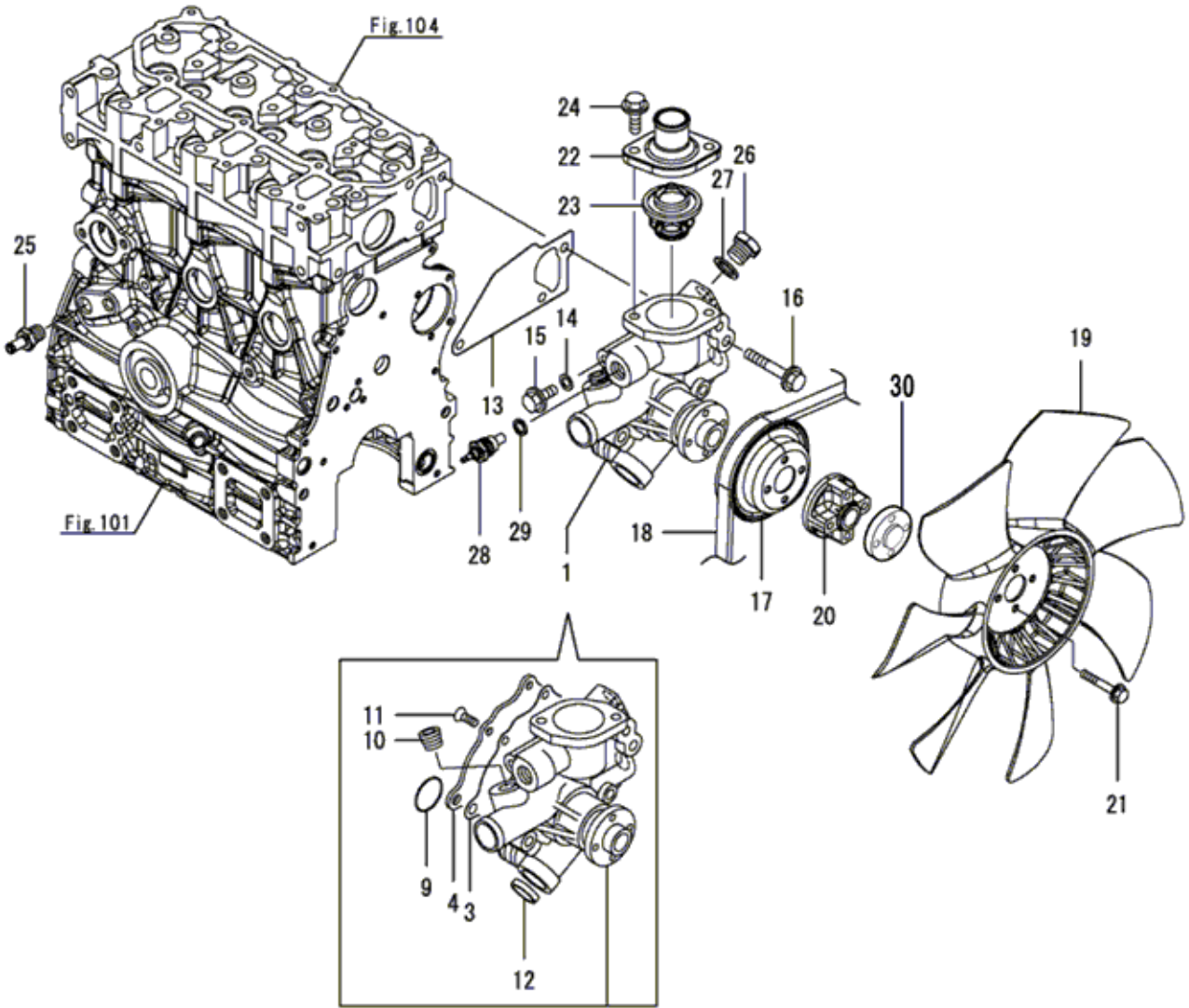
FIG

COOLING WATER SYSTEM

년/월  
Year/Month

TS23NCEU

2020.08



NOTE

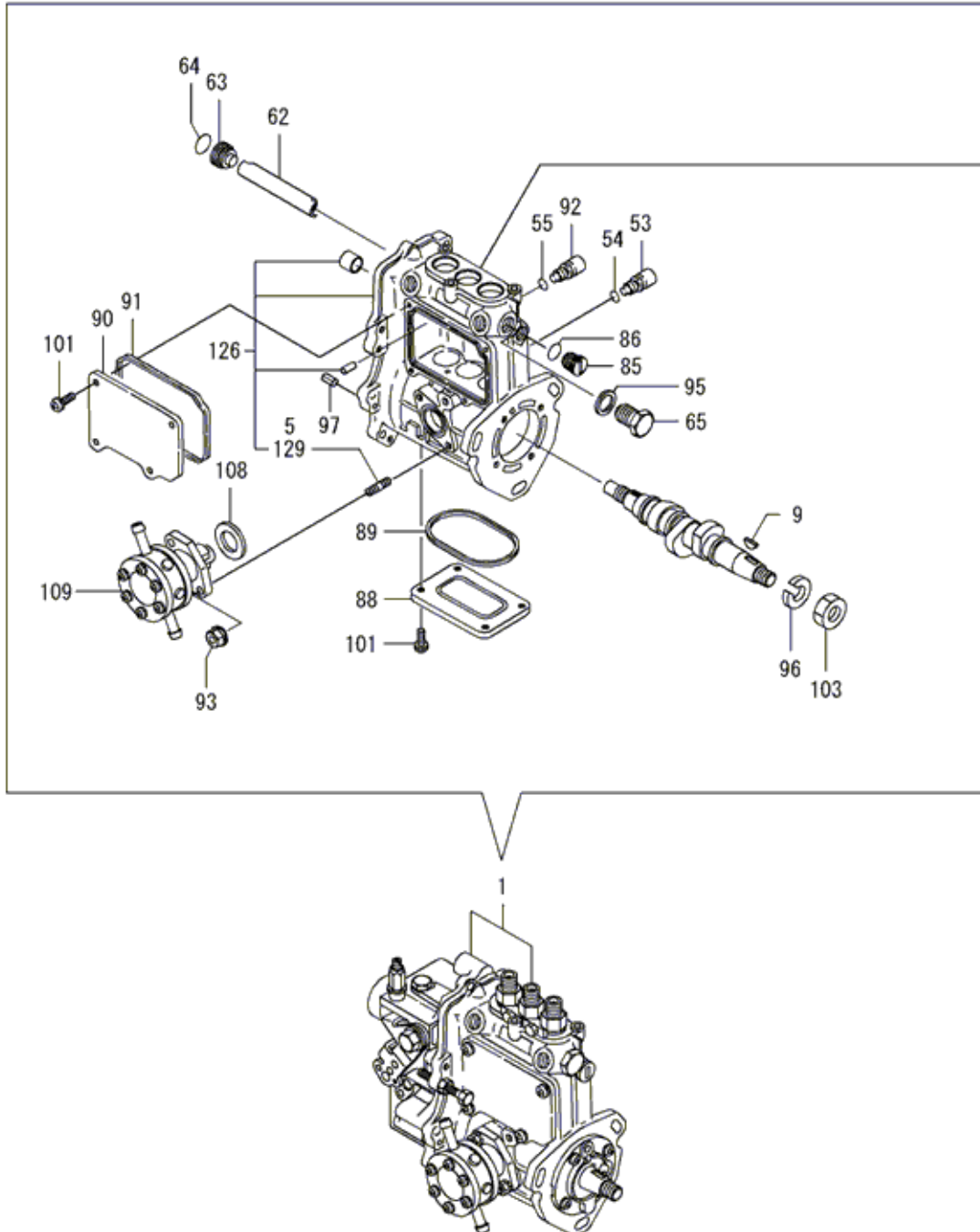
FIG

FUEL INJECTION PUMP(TS25)

년/월  
Year/Month

TS23NCEU

2020.08



NOTE

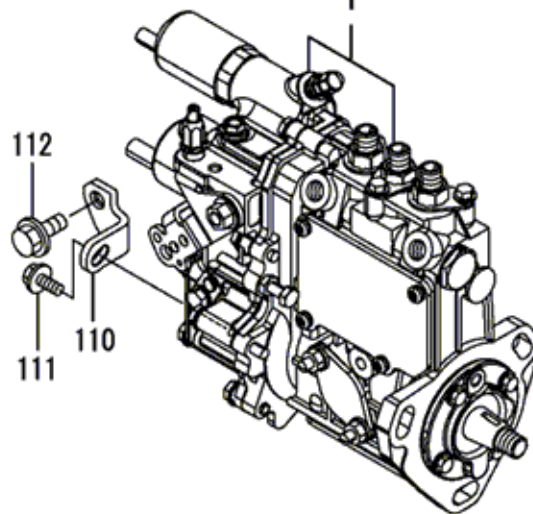
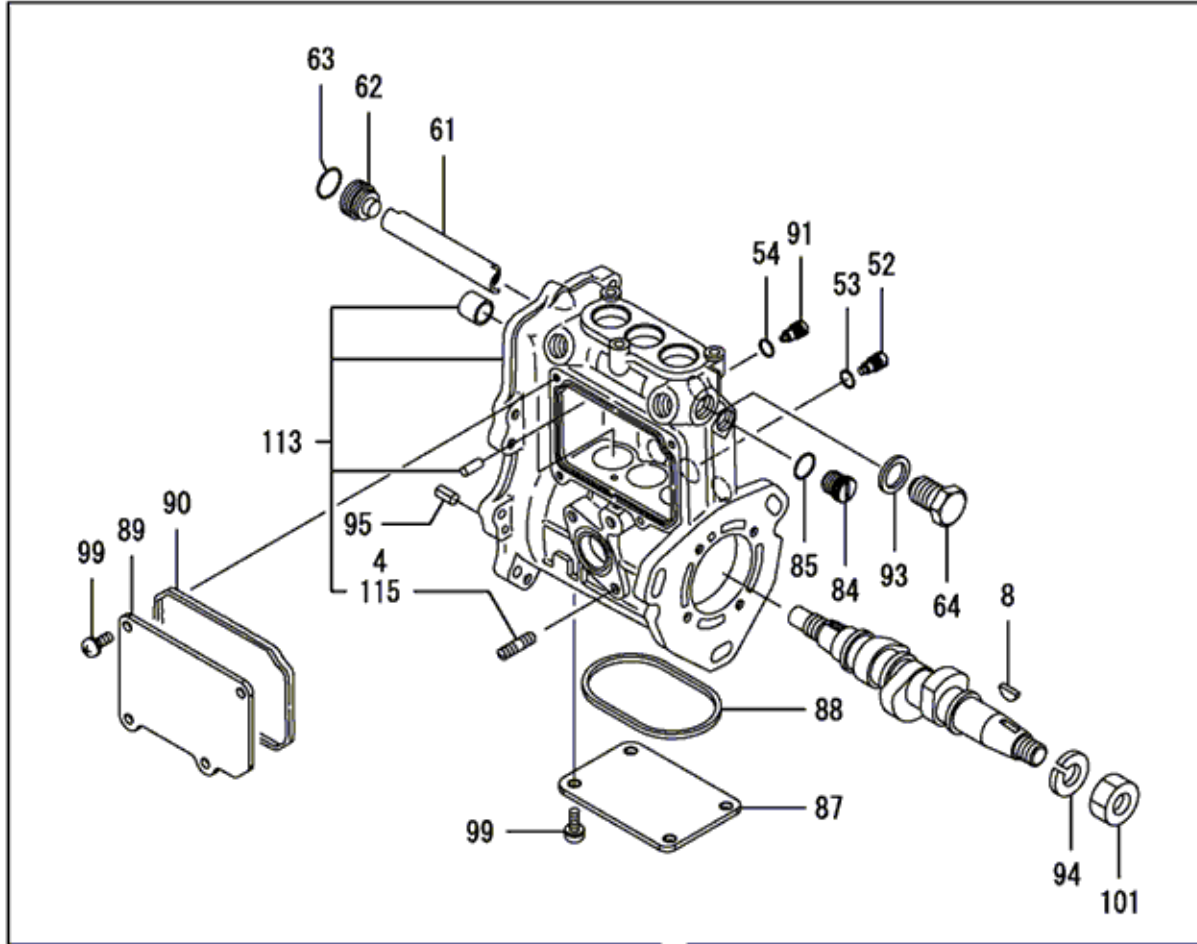
FIG

FUEL INJECTION PUMP(TS23)

년/월  
Year/Month

TS23NCEU

2020.08



NOTE



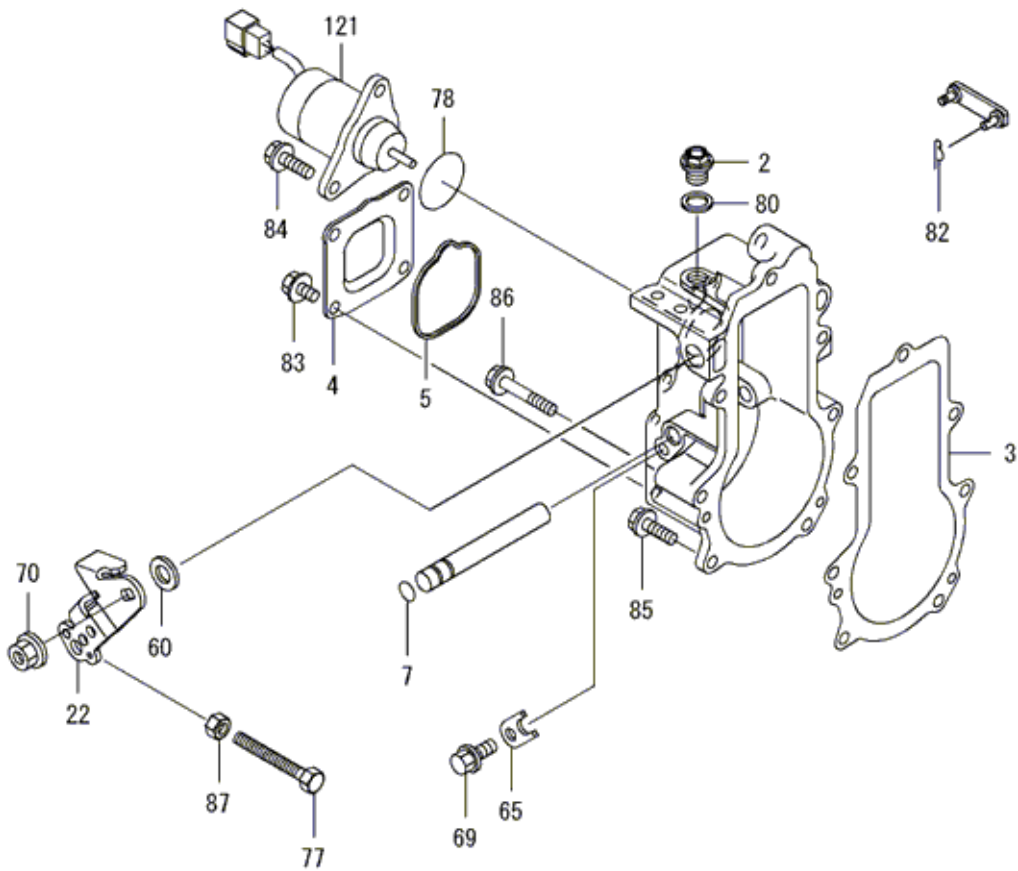
FIG

GOVERNOR(TS25)

년/월  
Year/Month

TS23NCEU

2020.08



NOTE

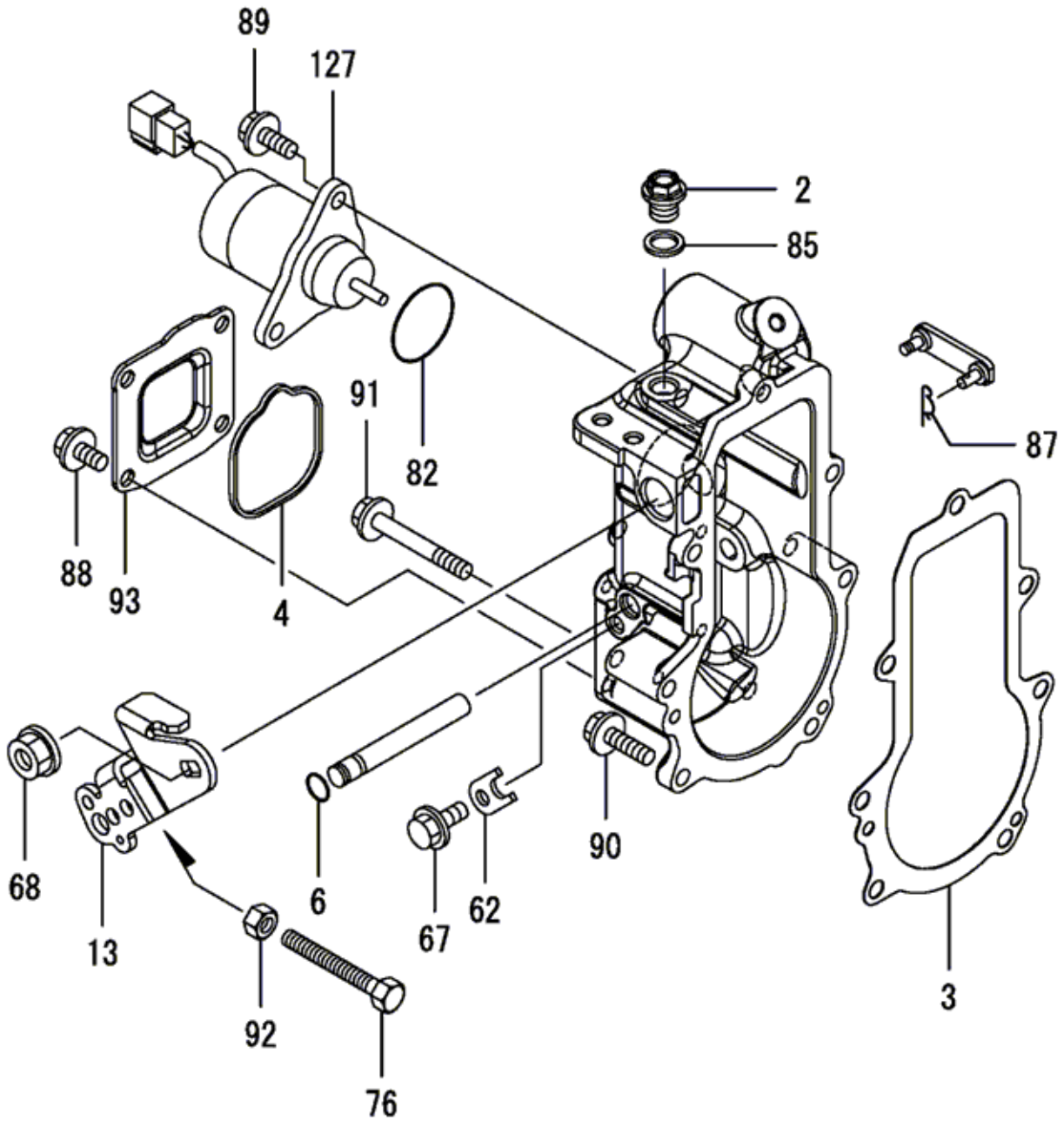
FIG

GOVERNOR(TS23)

년/월  
Year/Month

TS23NCEU

2020.08



NOTE

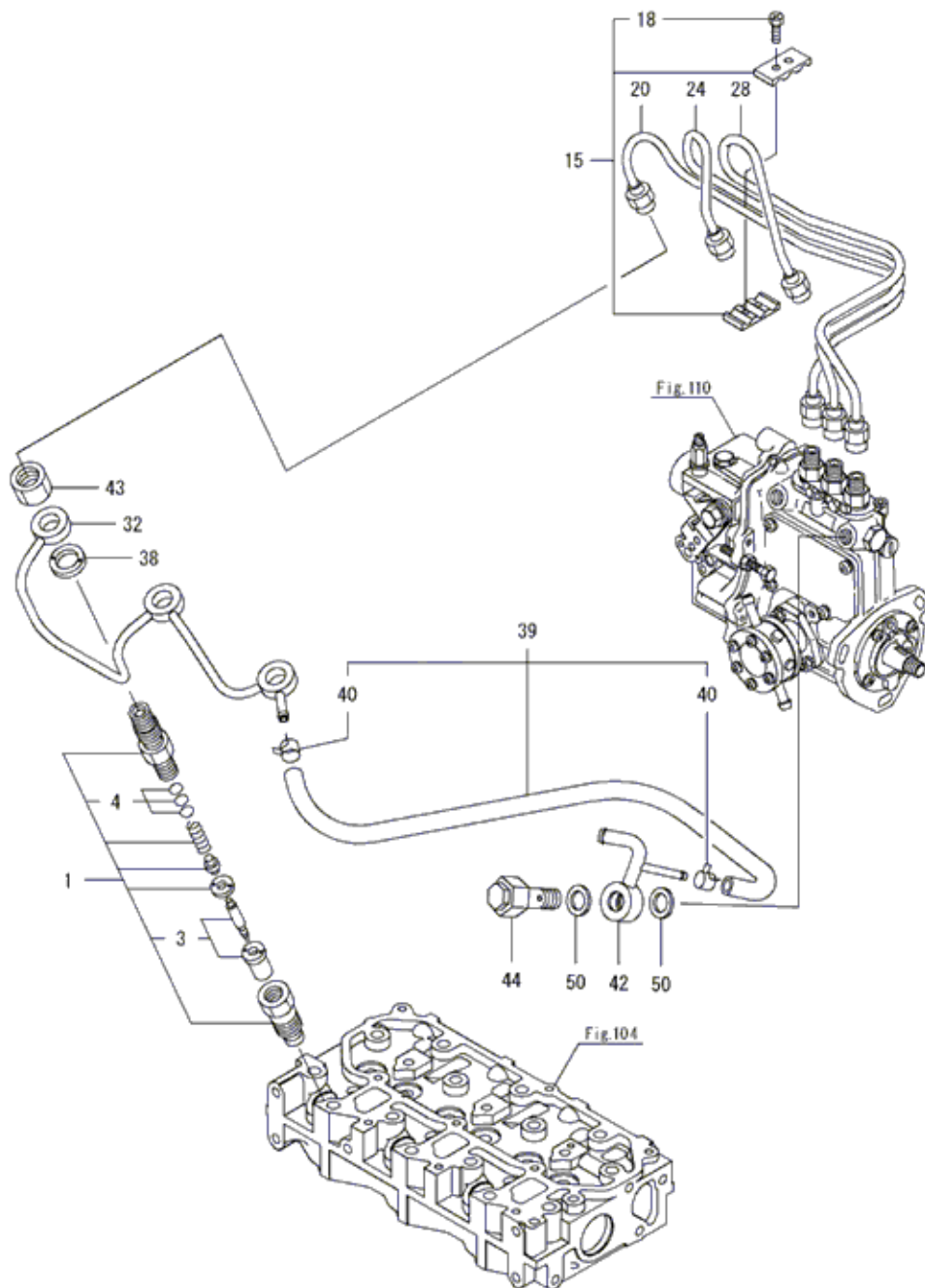
FIG

TS23NCEU

# FUEL INJECTION VALVE(TS25)

년/월  
Year/Month

2020.08



NOTE

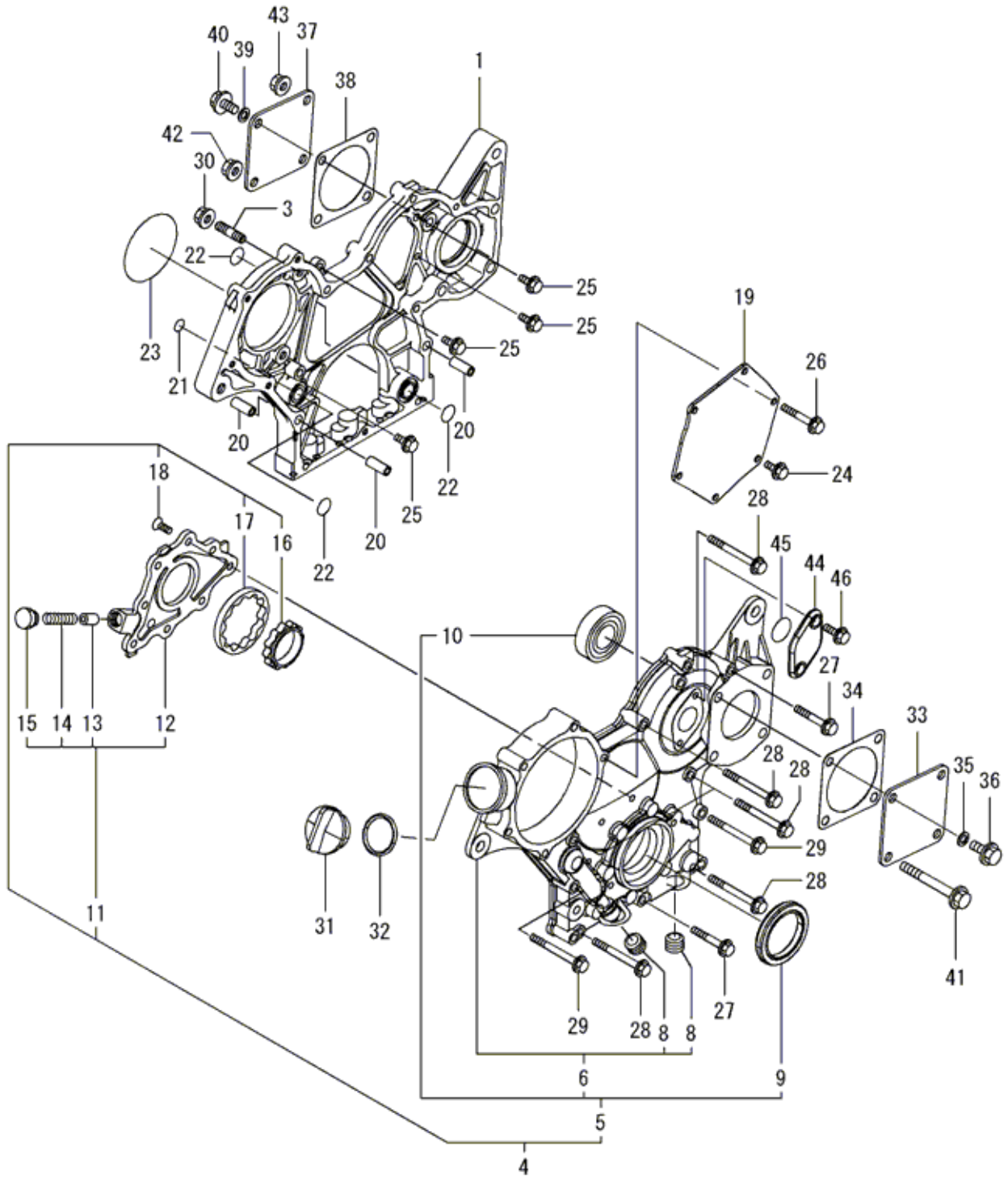
FIG

GEAR HOUSING(TS25)

년/월  
Year/Month

TS23NCEU

2020.08



NOTE

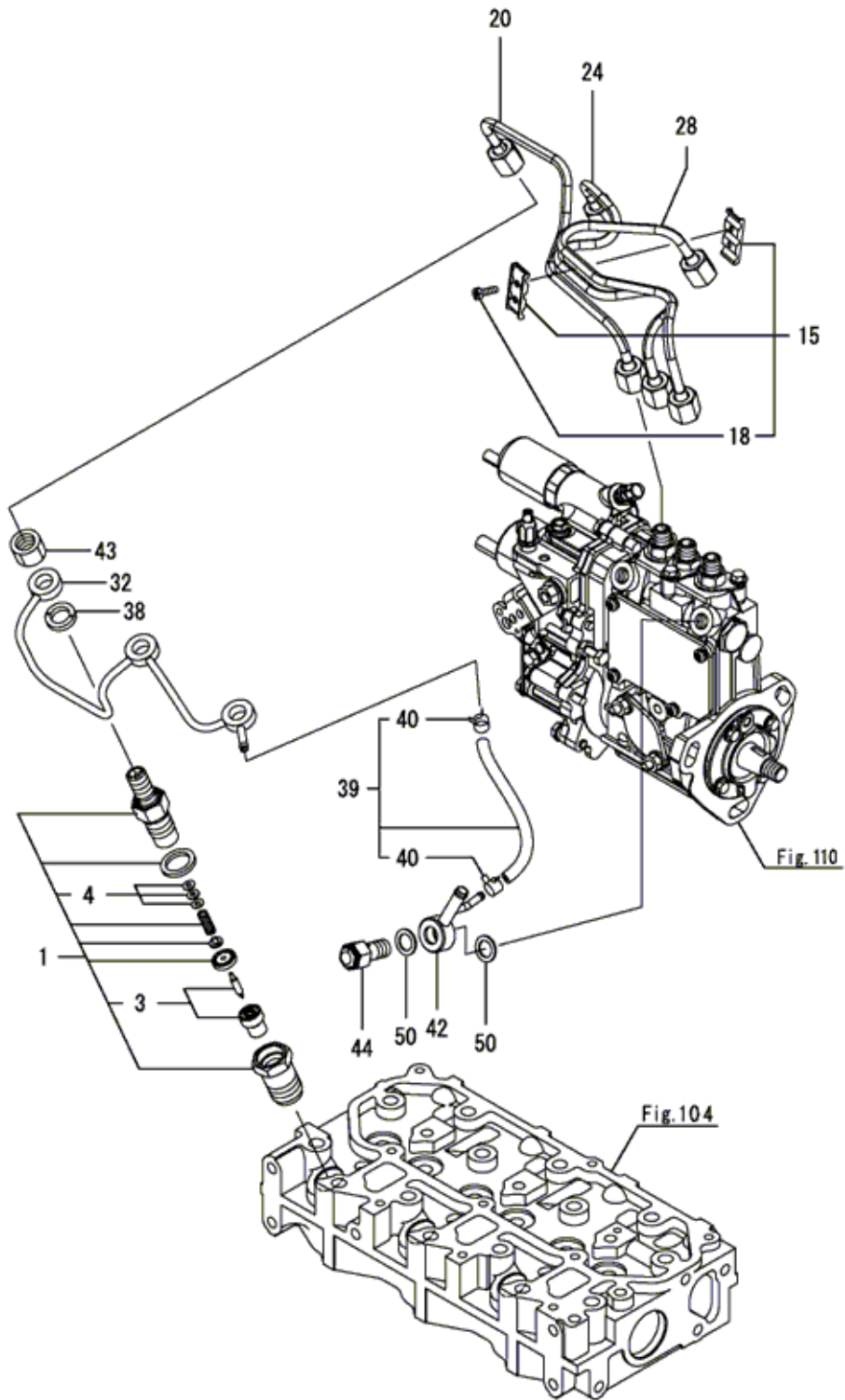
FIG

FUEL INJECTION VALVE(TS23)

년/월  
Year/Month

TS23NCEU

2020.08



NOTE

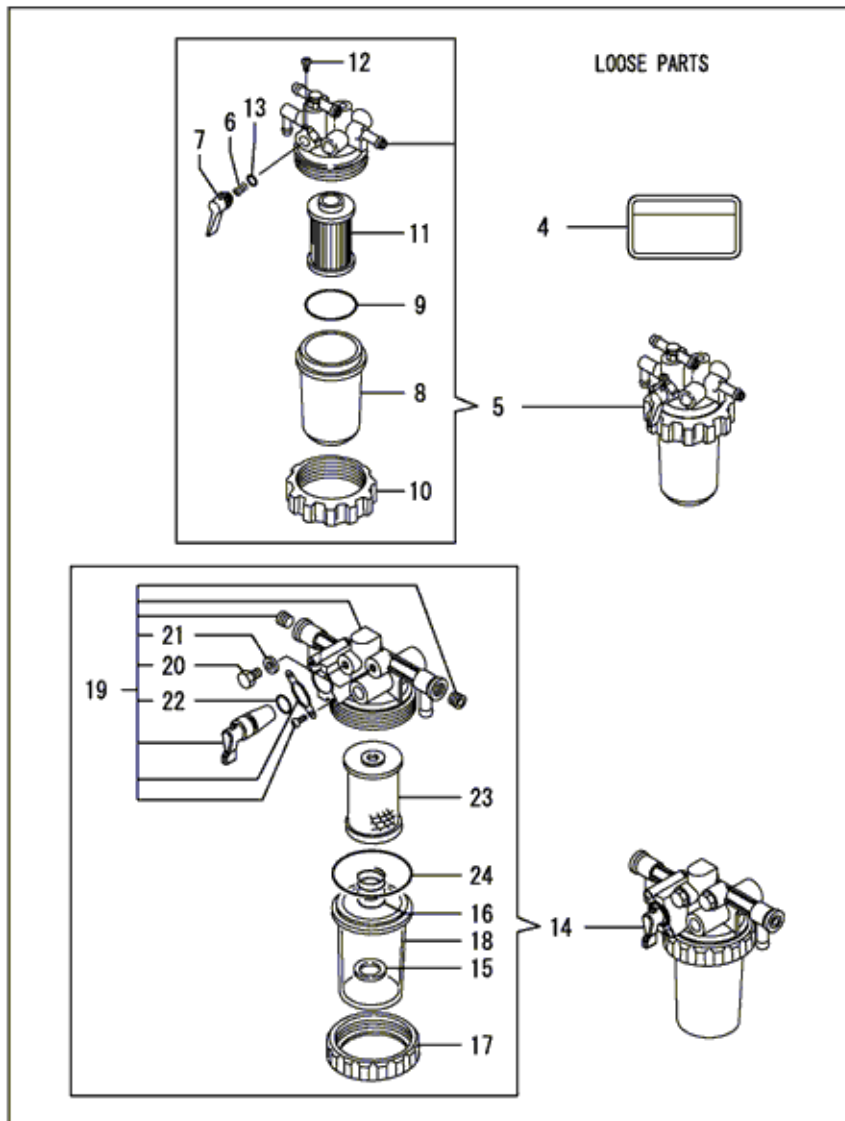
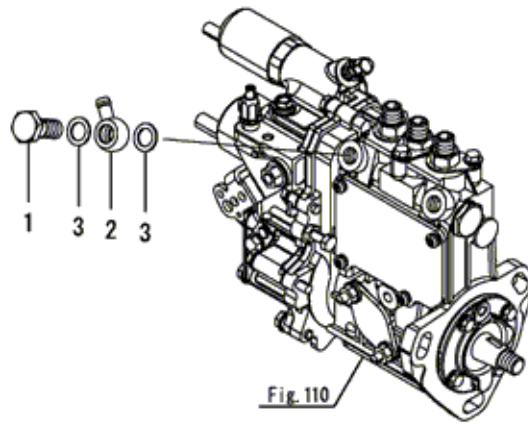
FIG

TS23NCEU

FUEL FILTER

년/월  
Year/Month

2020.08



NOTE

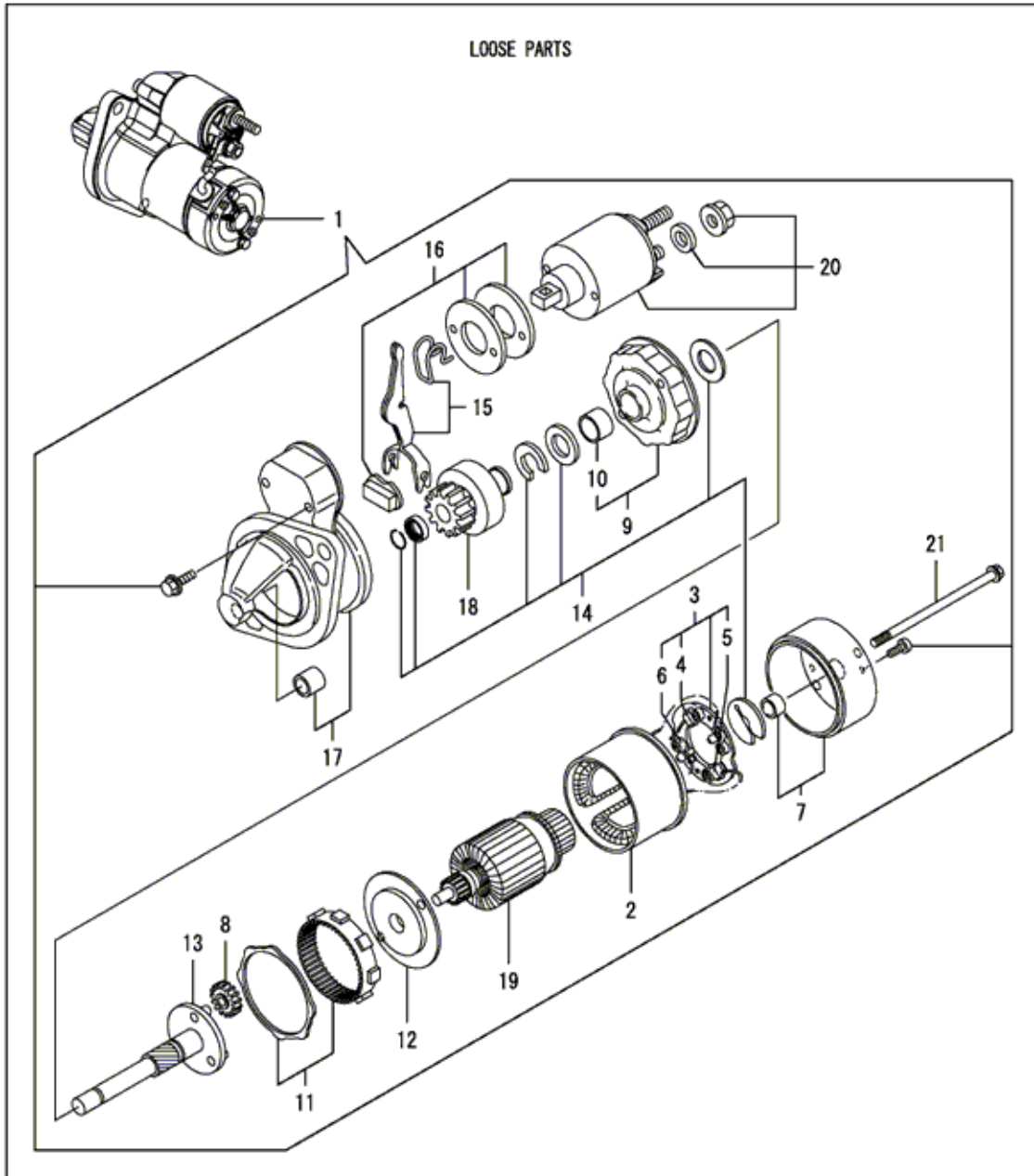
FIG

STARTING MOTOR

년/월  
Year/Month

TS23NCEU

2020.08



NOTE

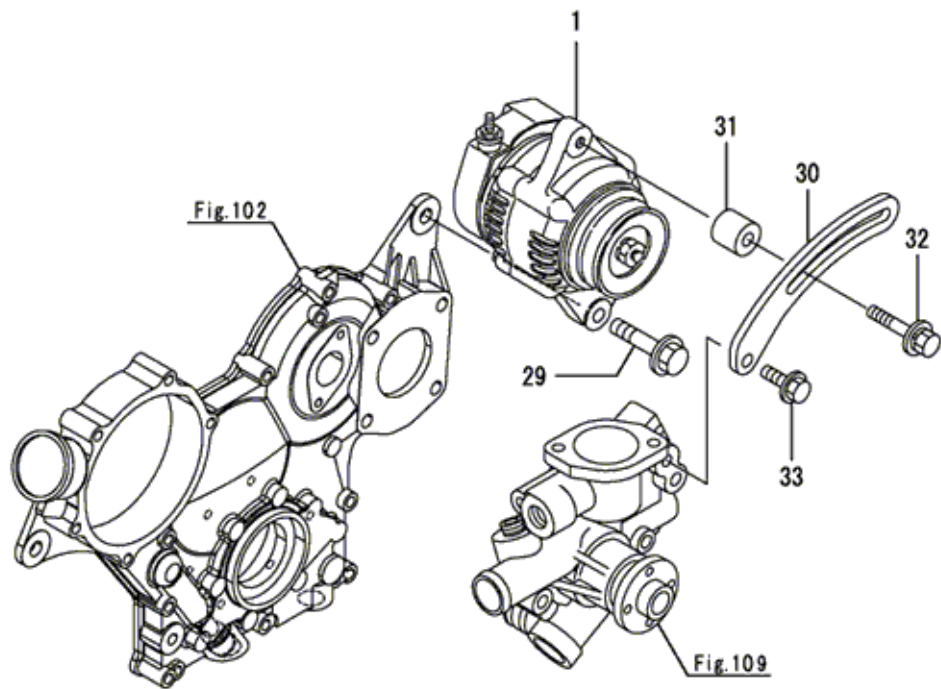
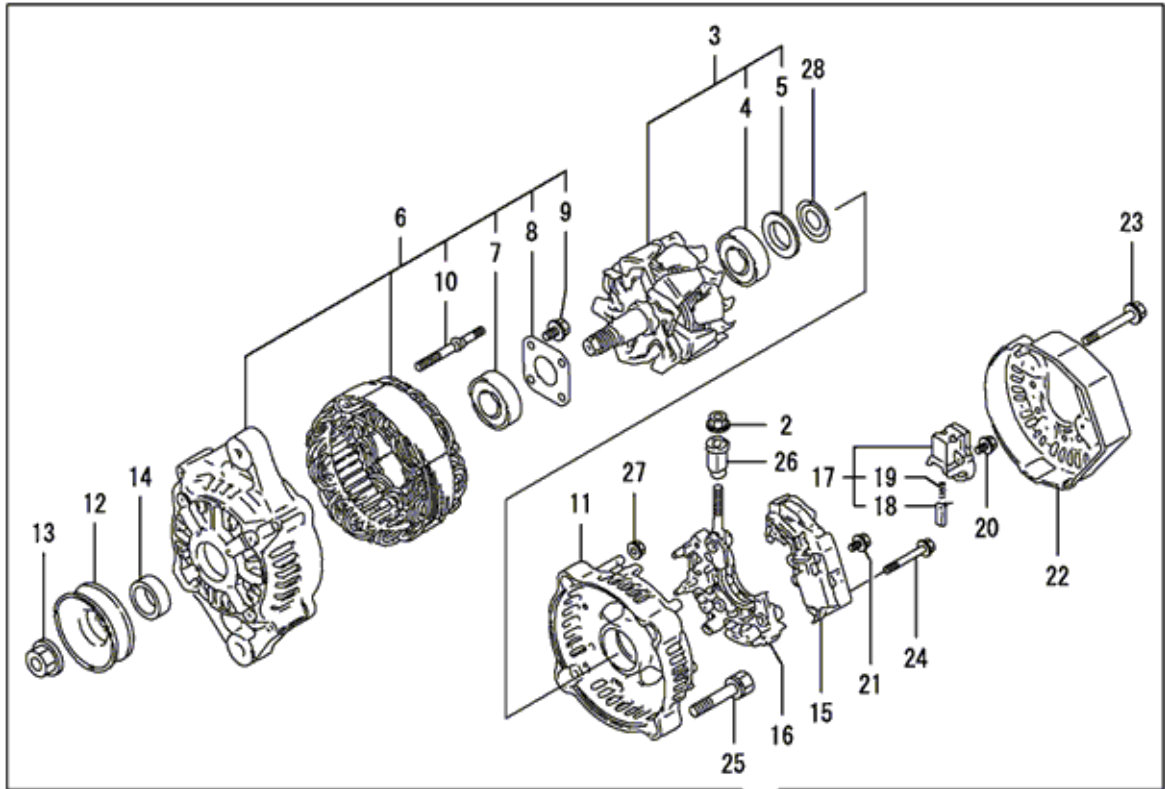
FIG

GENERATOR

년/월  
Year/Month

TS23NCEU

2020.08



NOTE



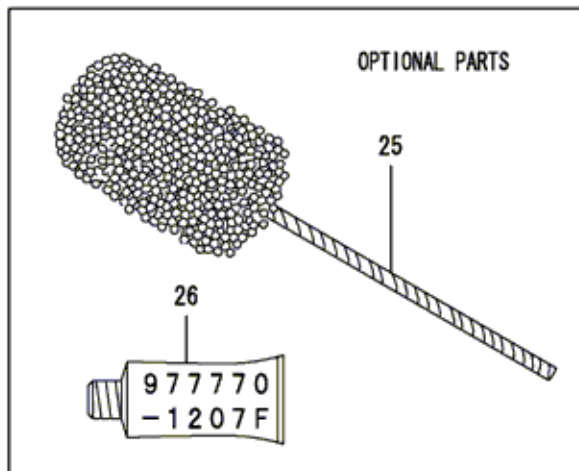
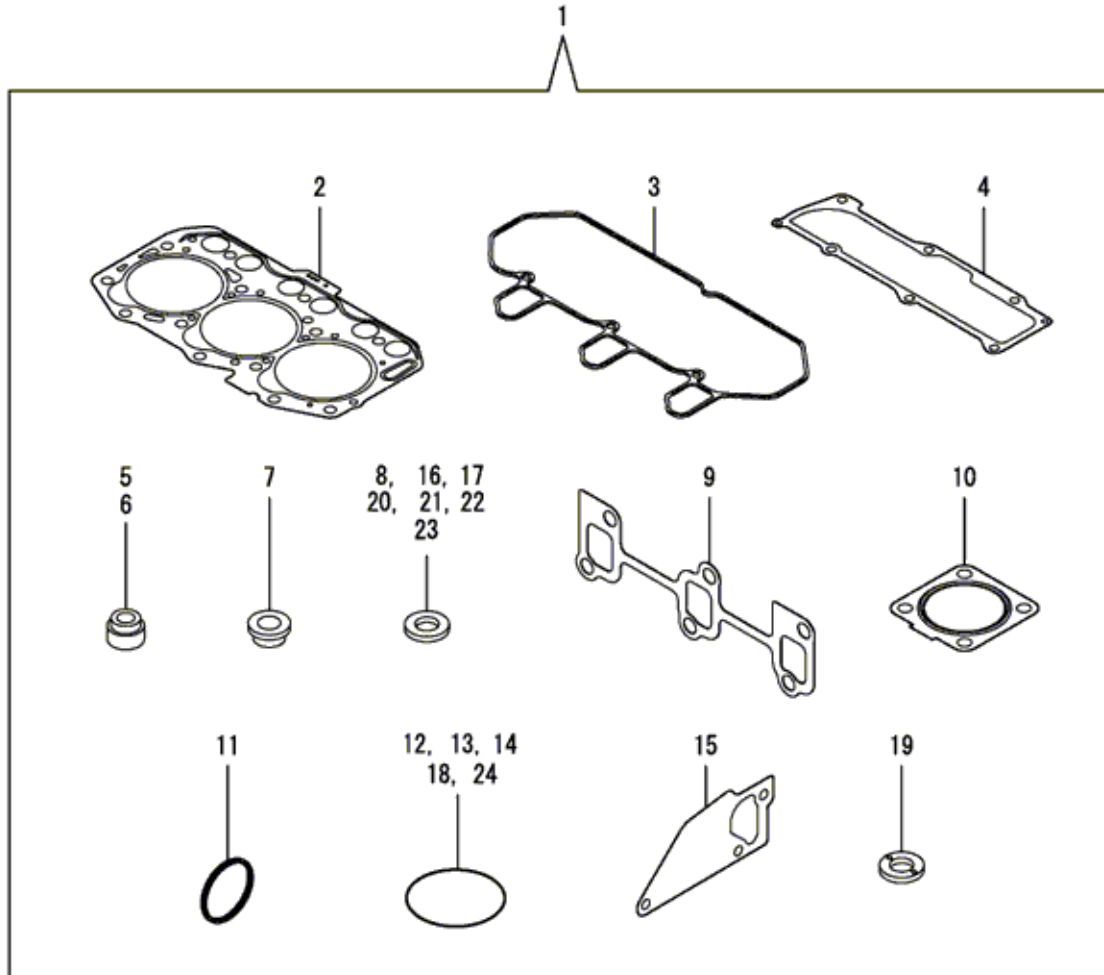
FIG

TS23NCEU

GASKET SET

년/월  
Year/Month

2020.08



NOTE

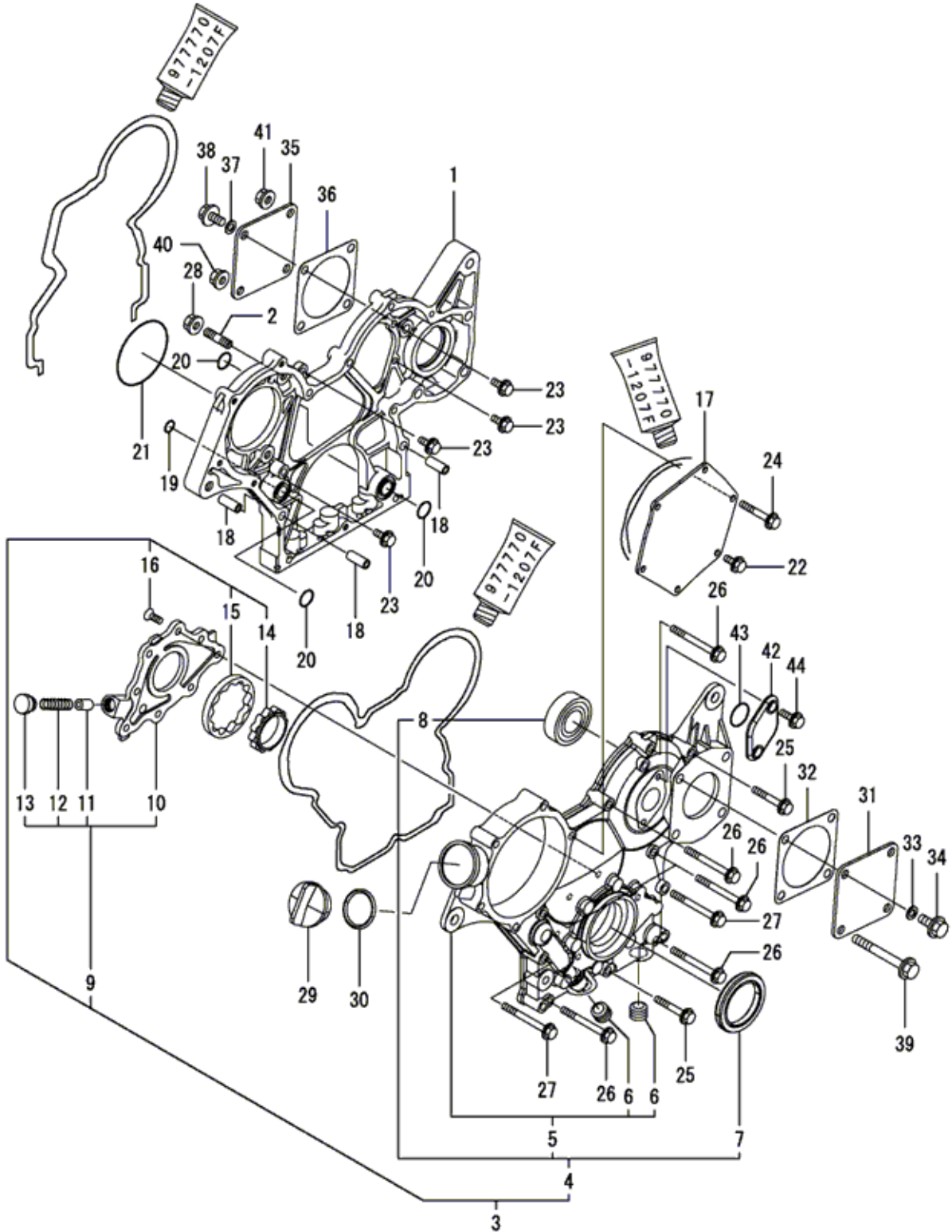
FIG

GEAR HOUSING(TS23)

년/월  
Year/Month

TS23NCEU

2020.08



NOTE

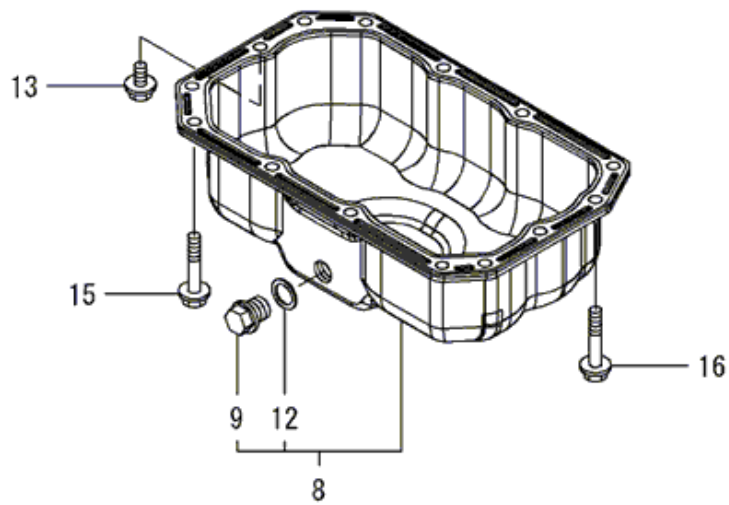
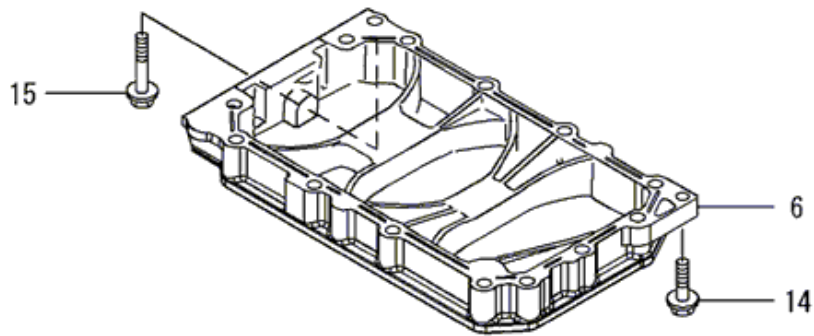
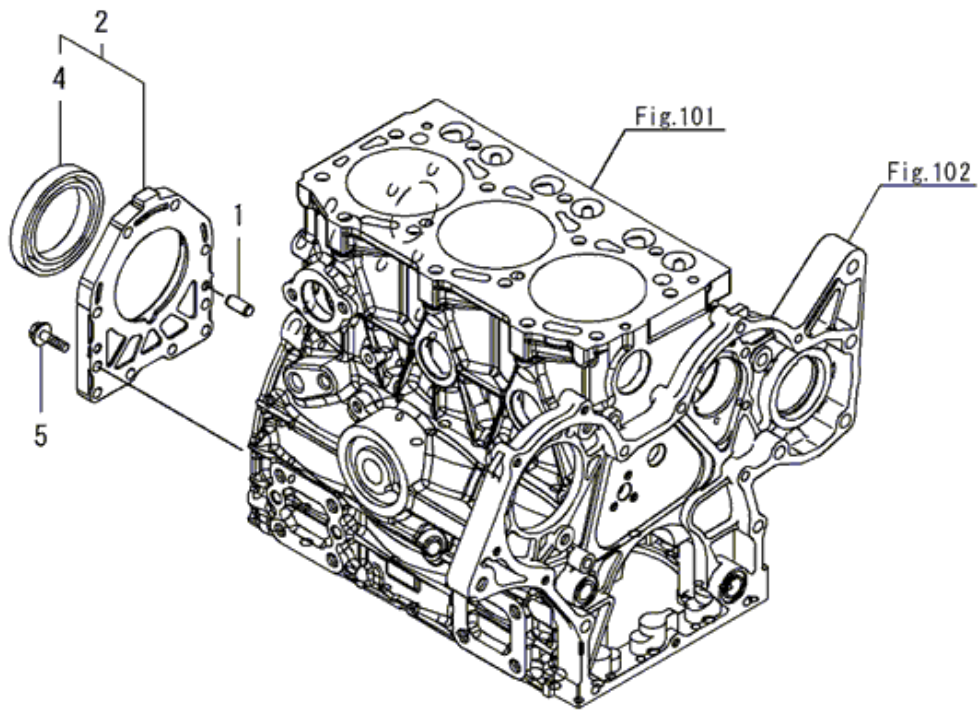
FIG

TS23NCEU

OIL SUMP(TS25)

년/월  
Year/Month

2020.08



NOTE

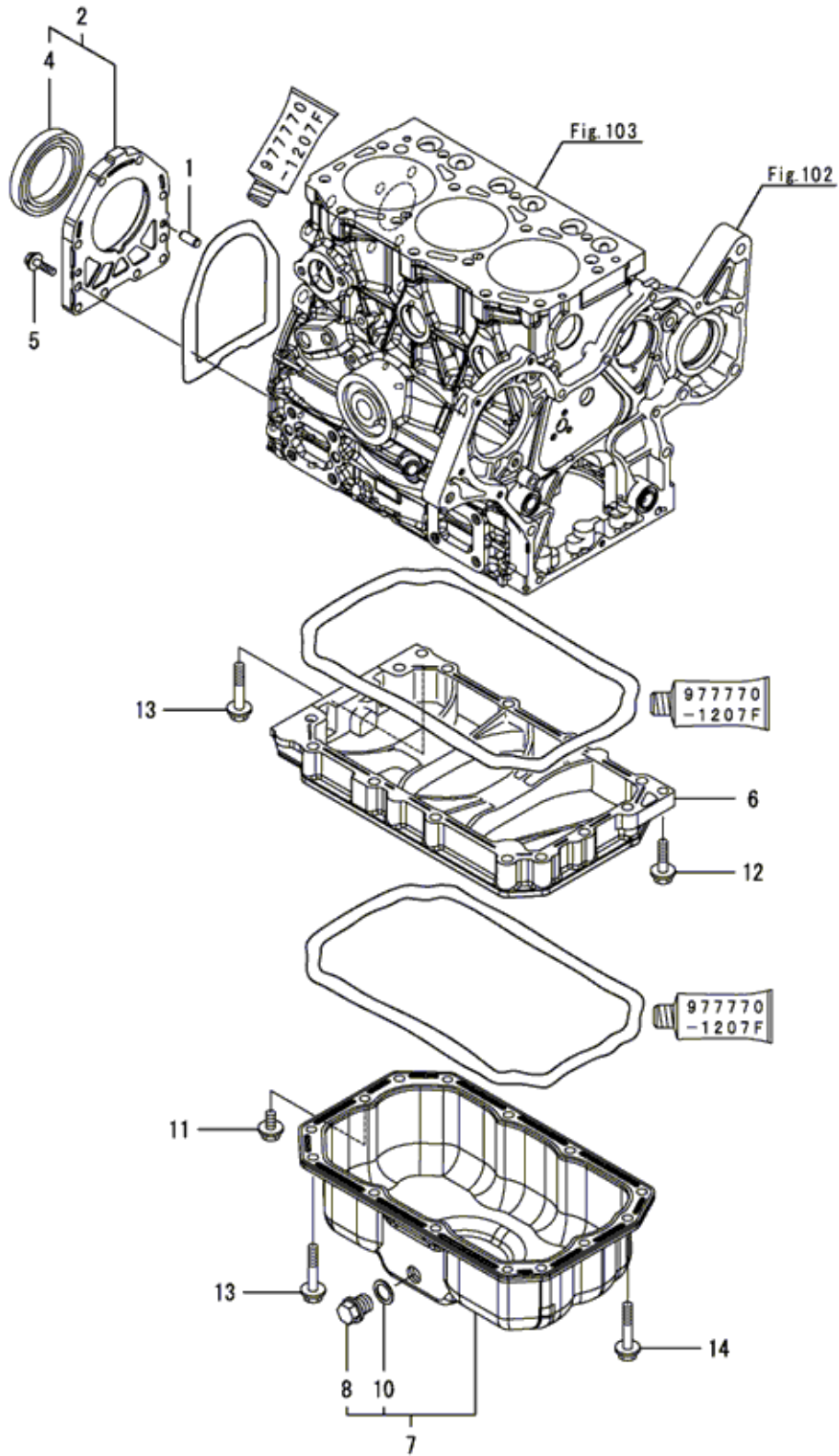
FIG

TS23NCEU

OIL SUMP(TS23)

년/월  
Year/Month

2020.08



NOTE

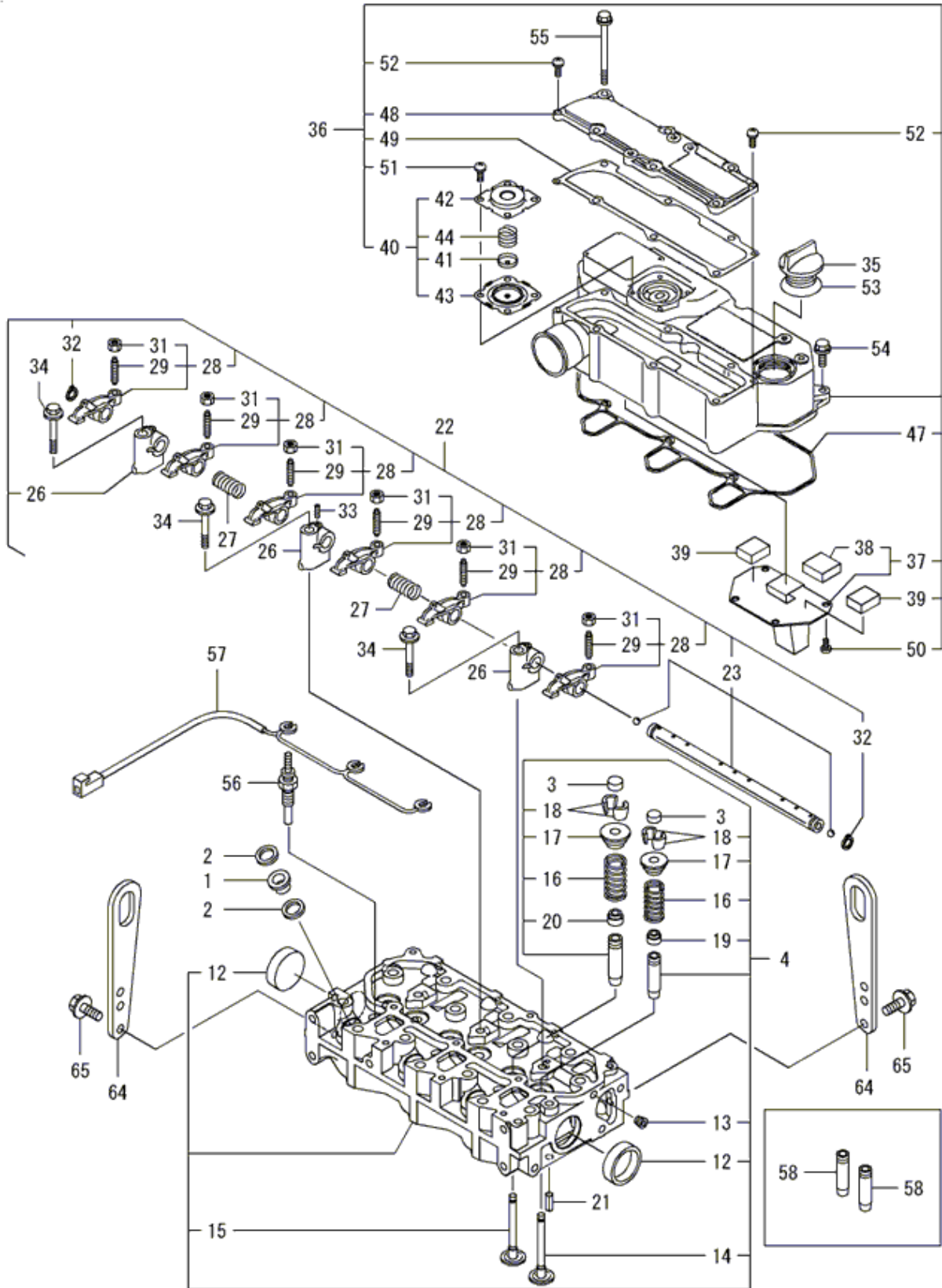
FIG

CYLINDER HEAD & BONNET(TS25)

년/월  
Year/Month

TS23NCEU

2020.08



NOTE

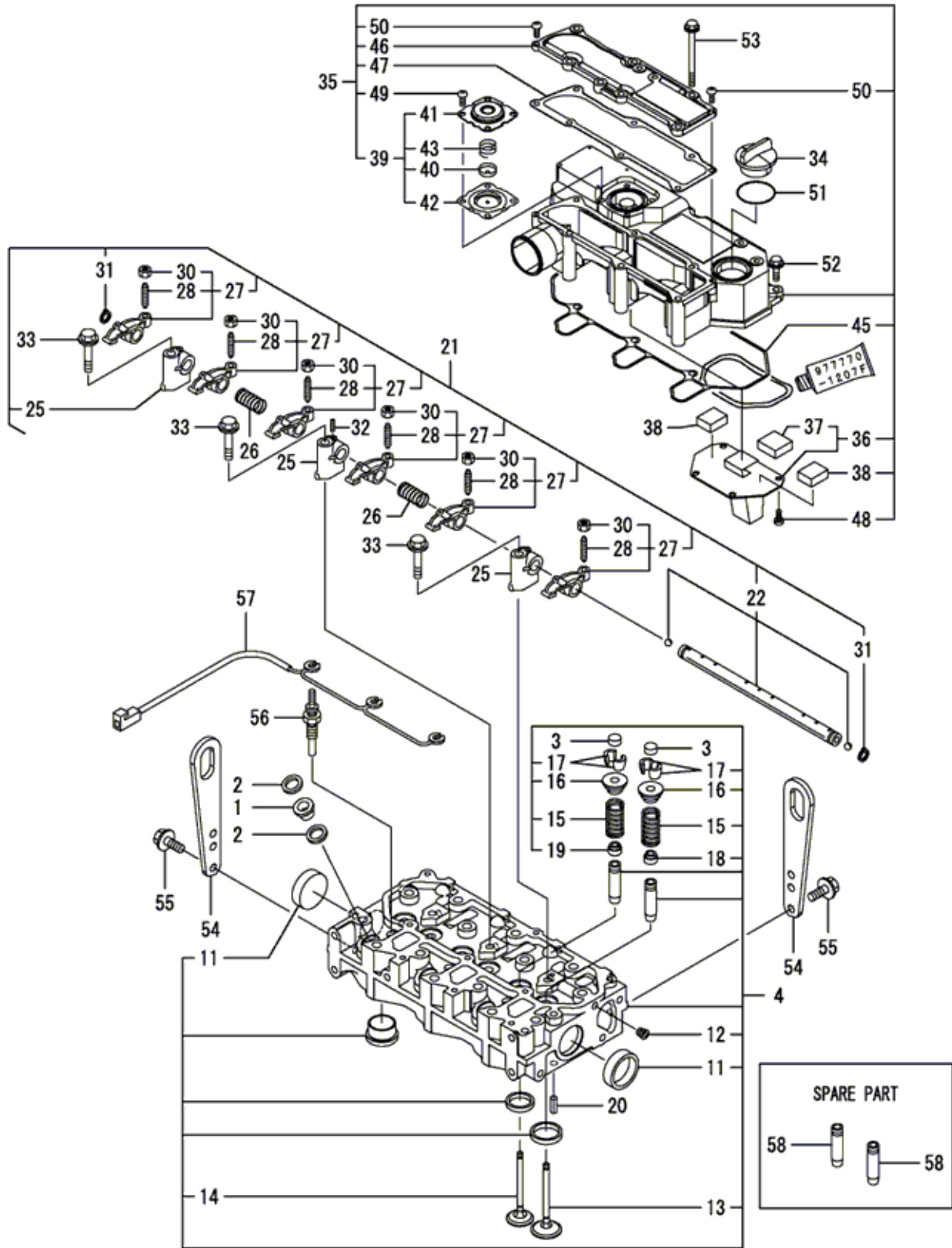
FIG

CYLINDER HEAD & BONNET(TS23)

년/월  
Year/Month

TS23NCEU

2020.08



NOTE

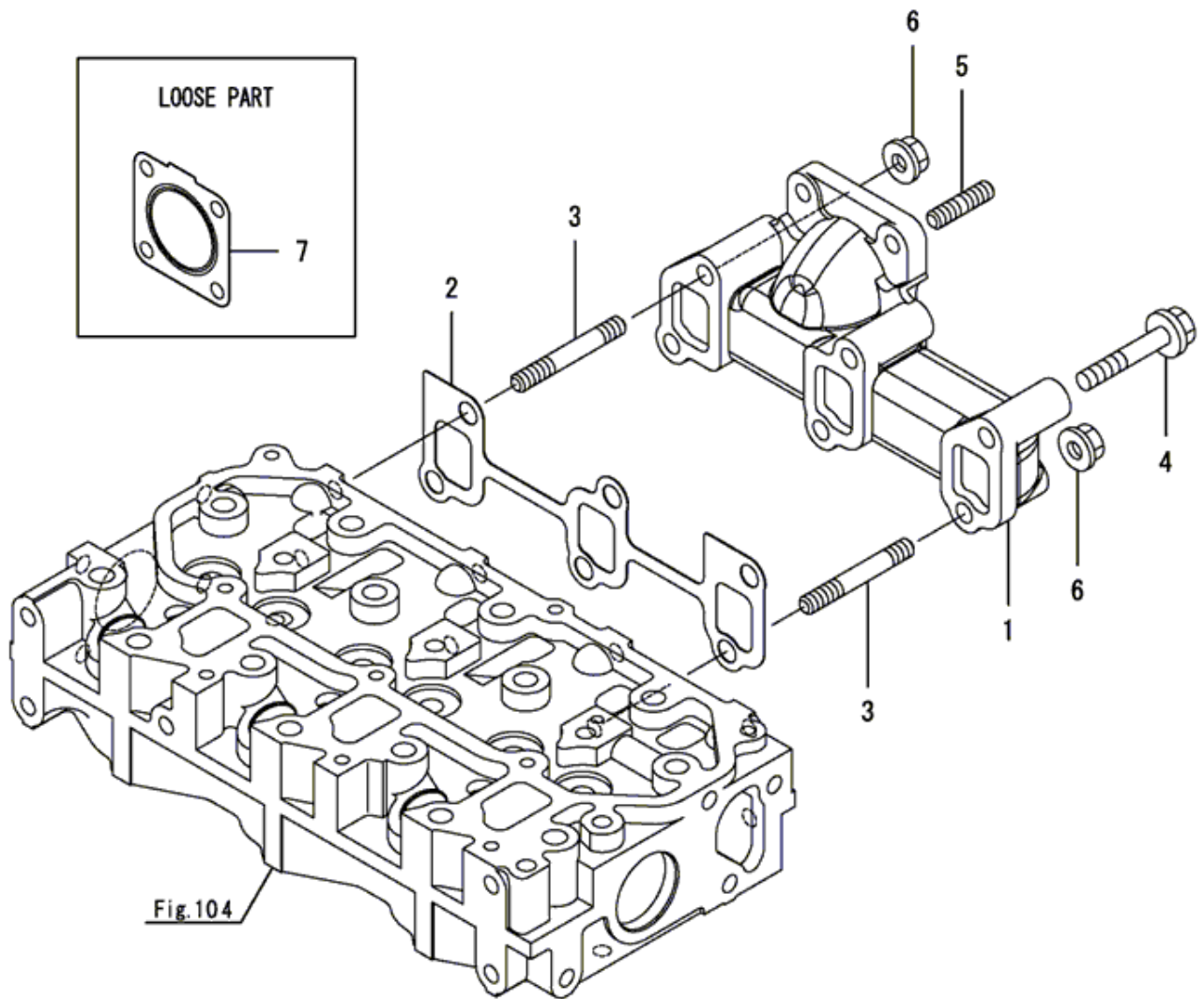
FIG

EXHAUST MANIFOLD

년/월  
Year/Month

TS23NCEU

2020.08



NOTE

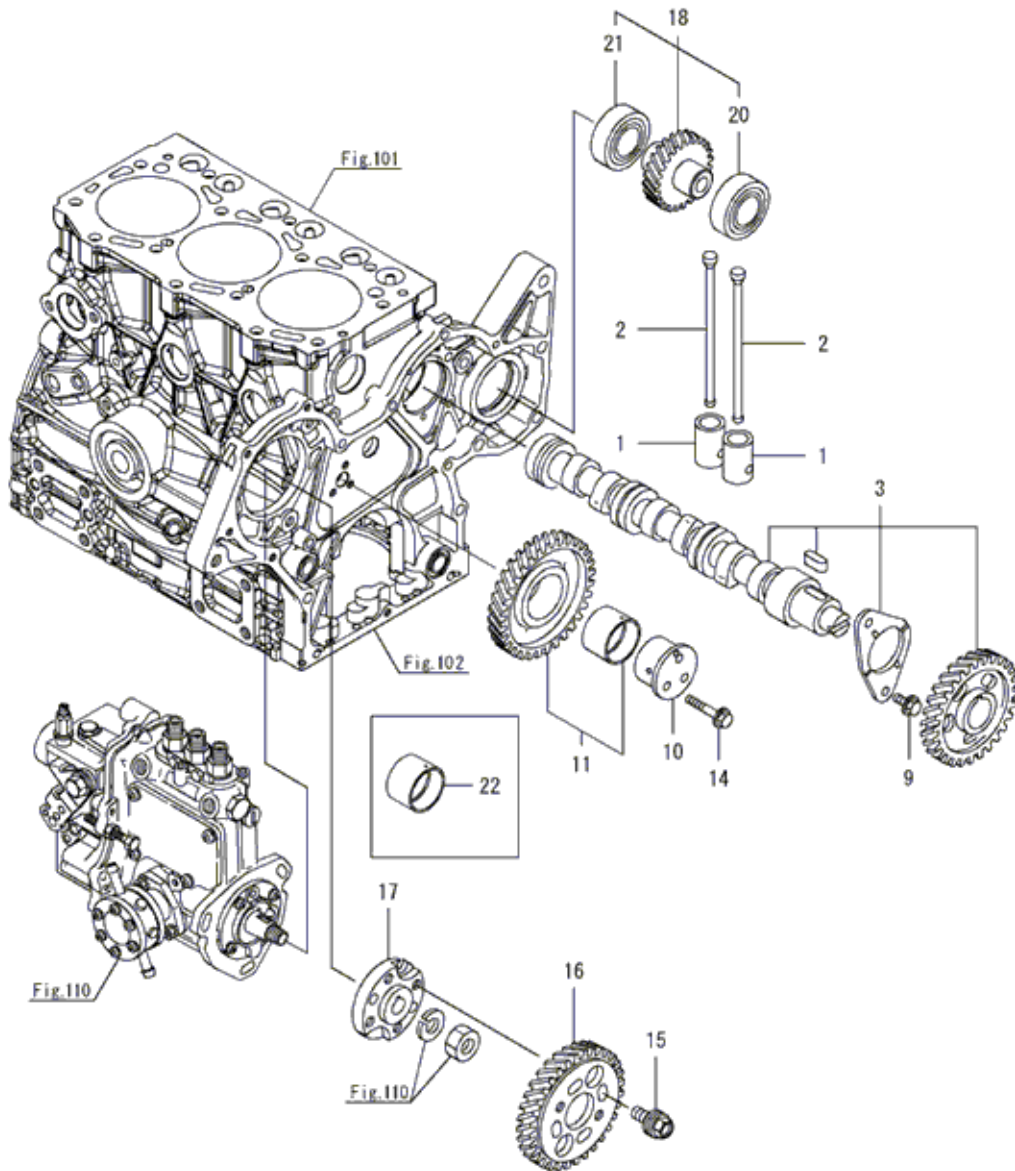
FIG

CAMSHAFT & DRIVING GEAR(TS25)

년/월  
Year/Month

TS23NCEU

2020.08



NOTE



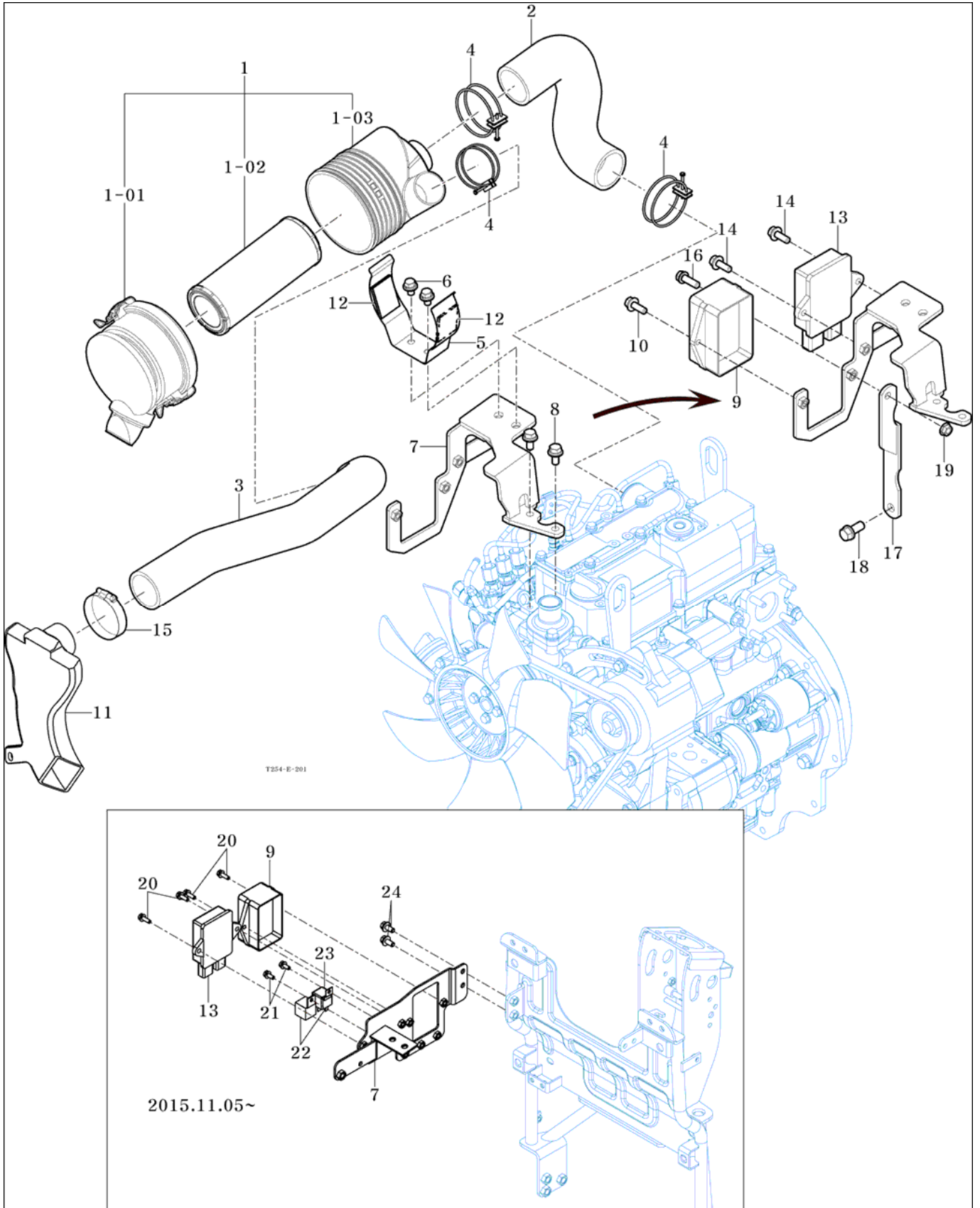
FIG

AIR CLEANER

년/월  
Year/Month

TS23NCEU

2020.08



NOTE

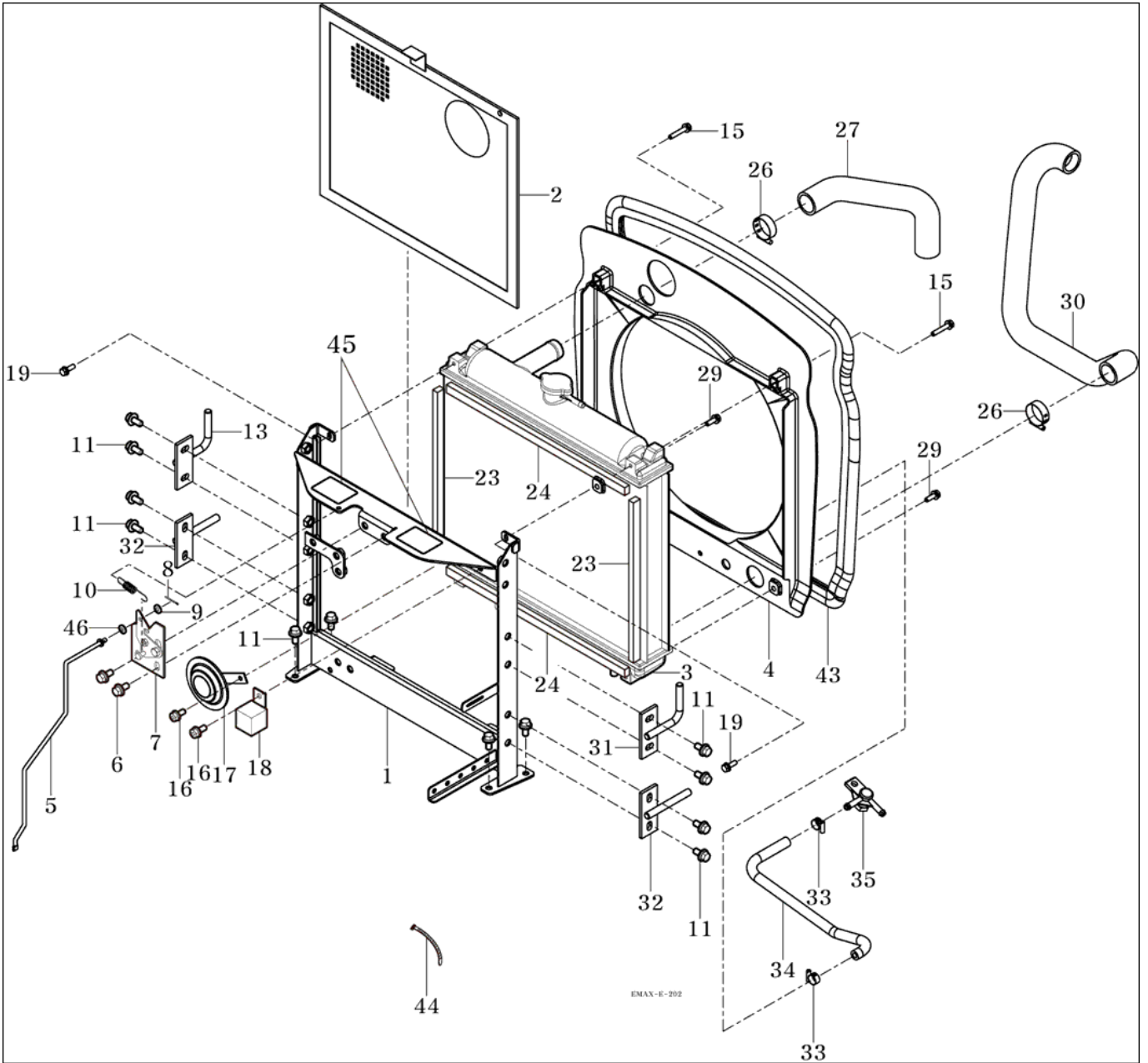
FIG

TS23NCEU

RADIATOR

년/월  
Year/Month

2020.08



NOTE

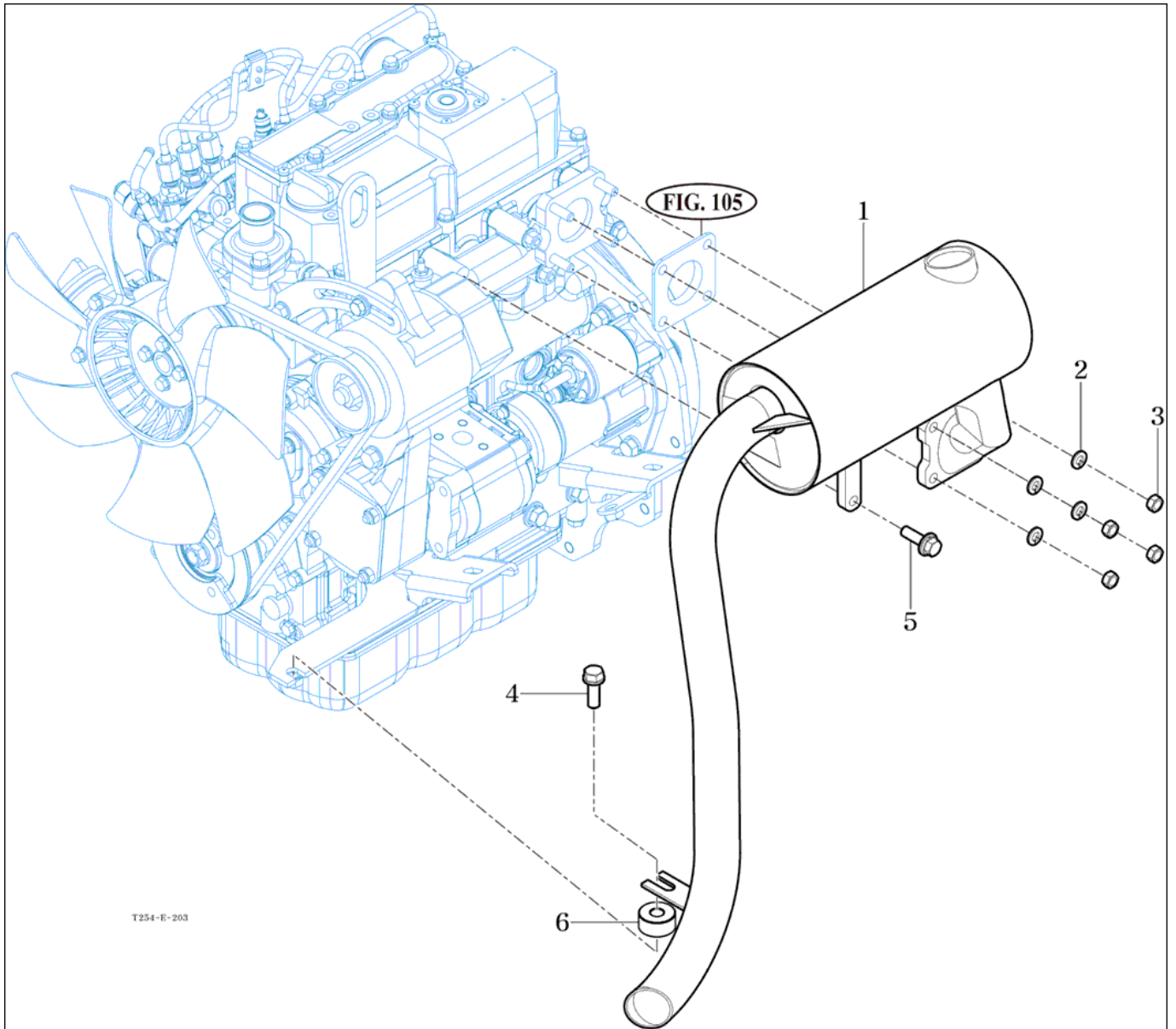
FIG

TS23NCEU

MUFFLER

년/월  
Year/Month

2020.08



NOTE

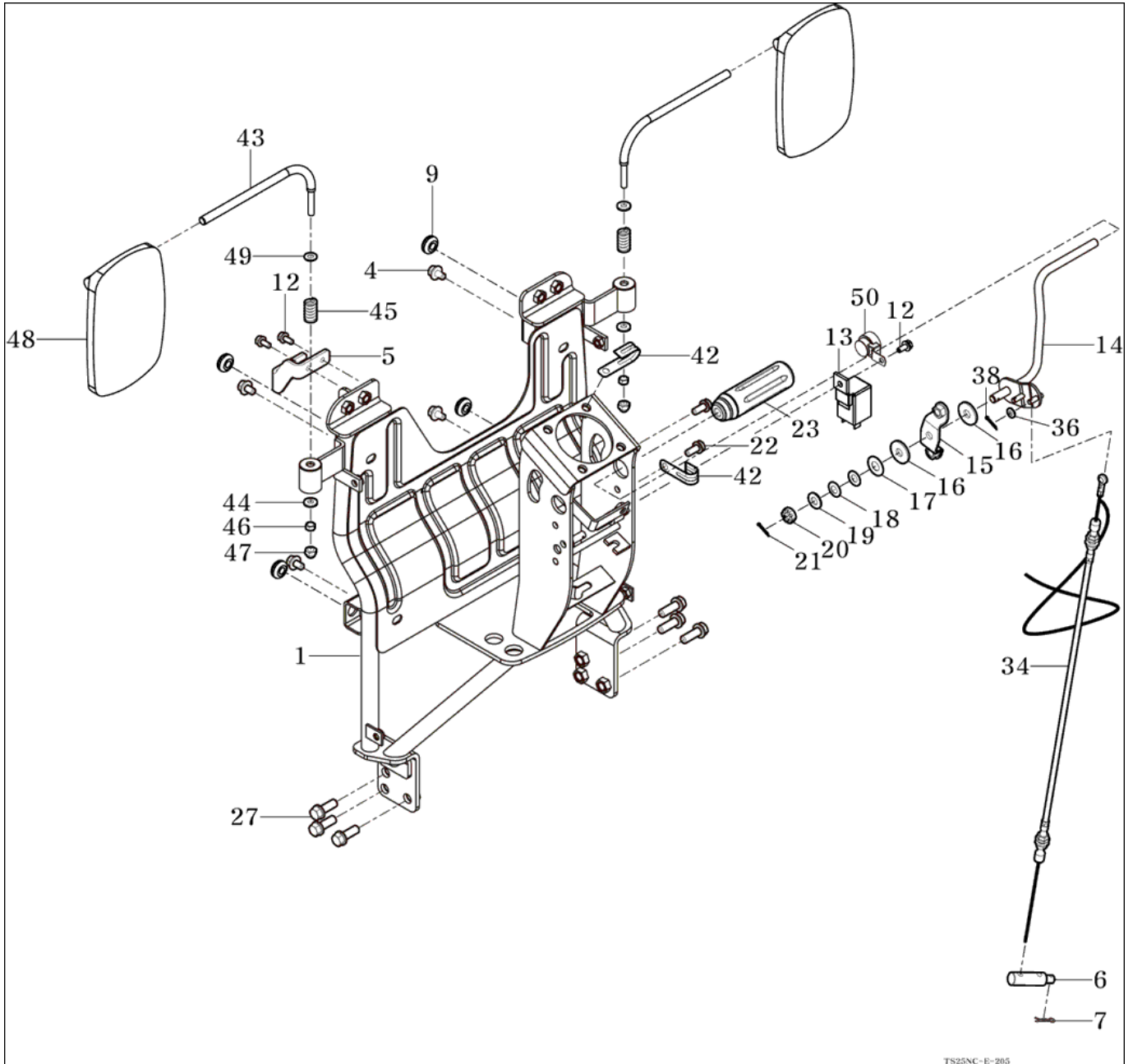
FIG

TS23NCEU

ACCELERATOR

년/월  
Year/Month

2020.08



TS25NC-E-205

NOTE

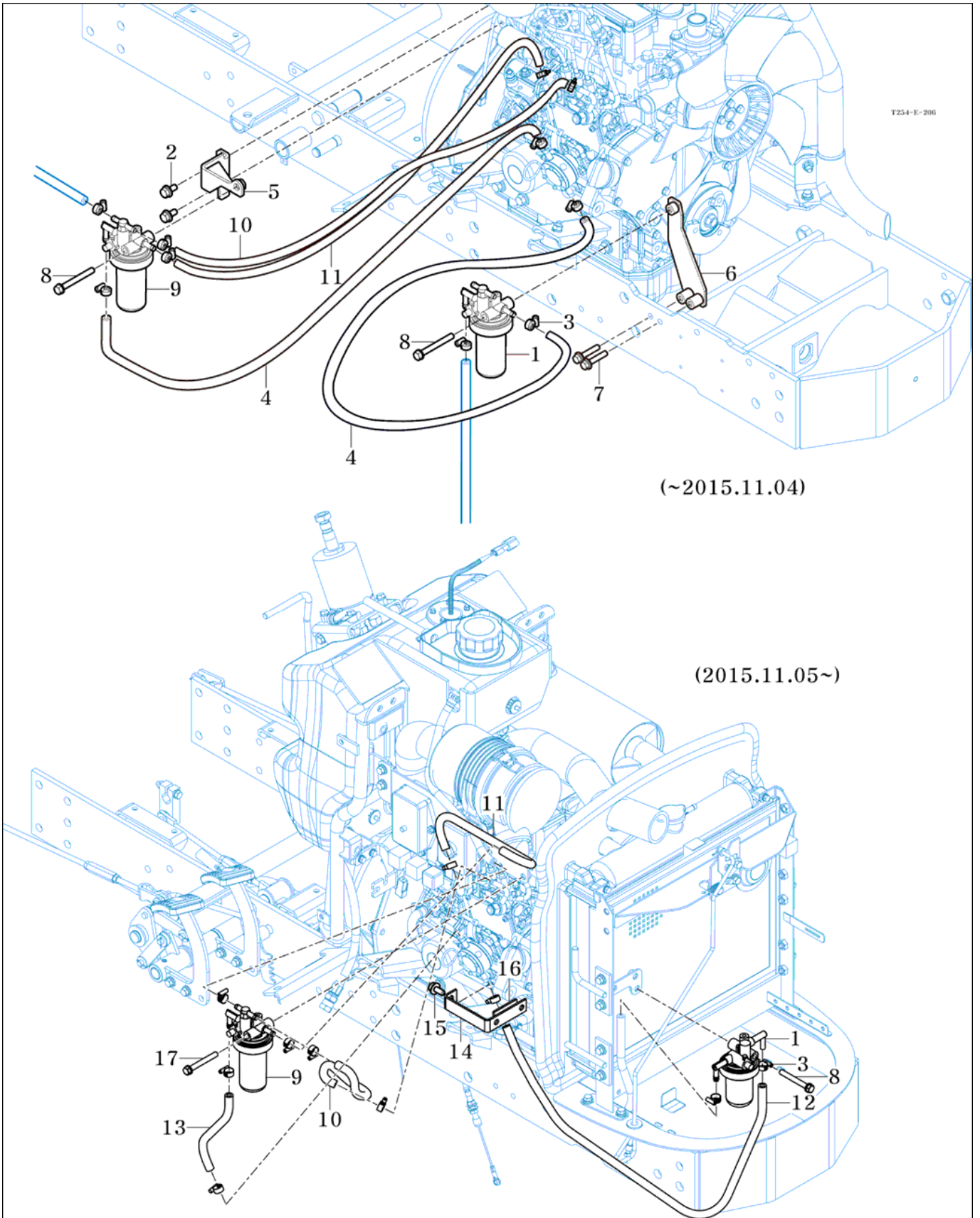
FIG

FUEL FILTER

년/월  
Year/Month

TS23NCEU

2020.08



NOTE

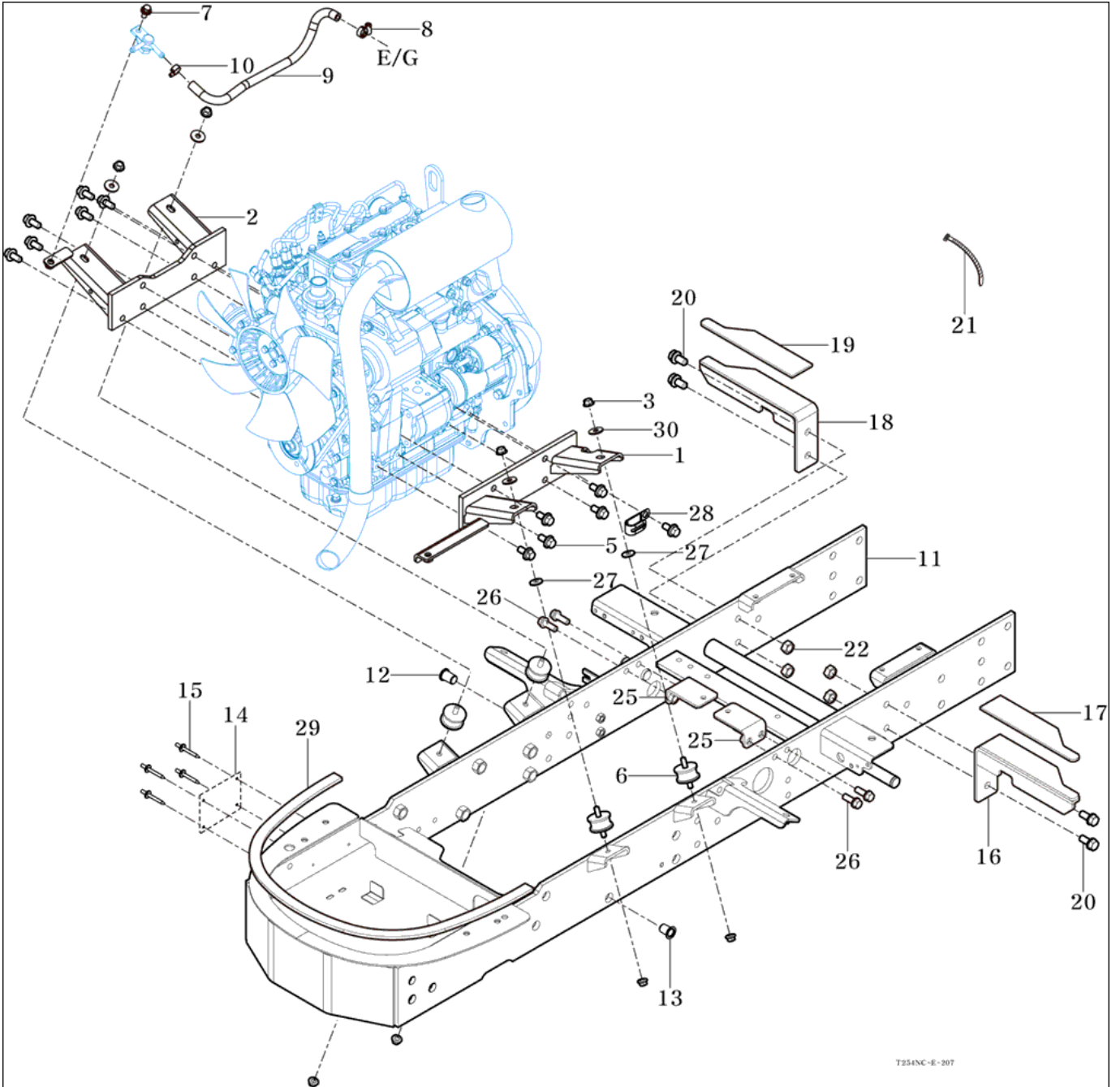
FIG

ENGINE MOUNTING

년/월  
Year/Month

TS23NCEU

2020.08



T254NC-E-207

NOTE

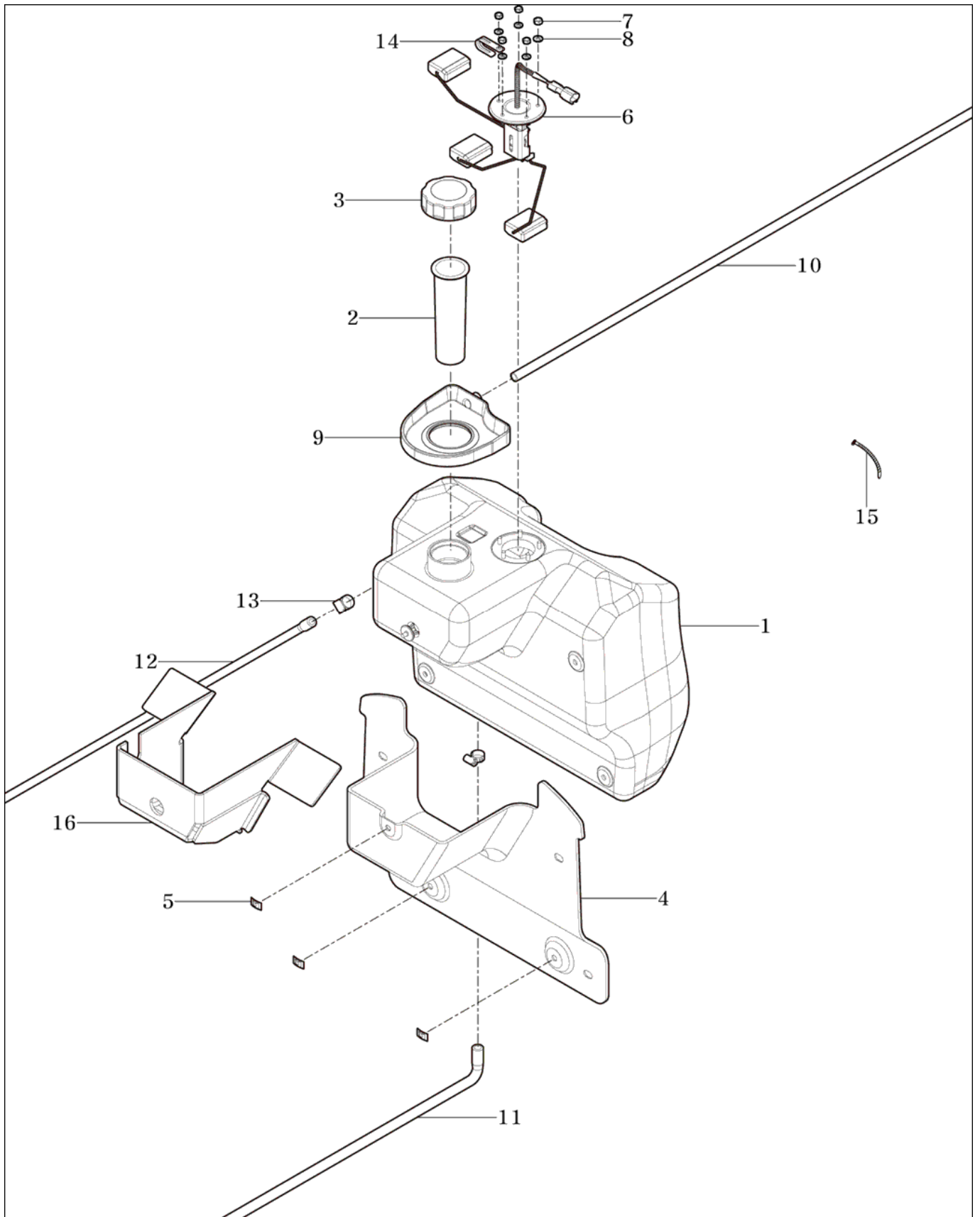
FIG

TS23NCEU

FUEL TANK & FUEL LINE

년/월  
Year/Month

2020.08



NOTE

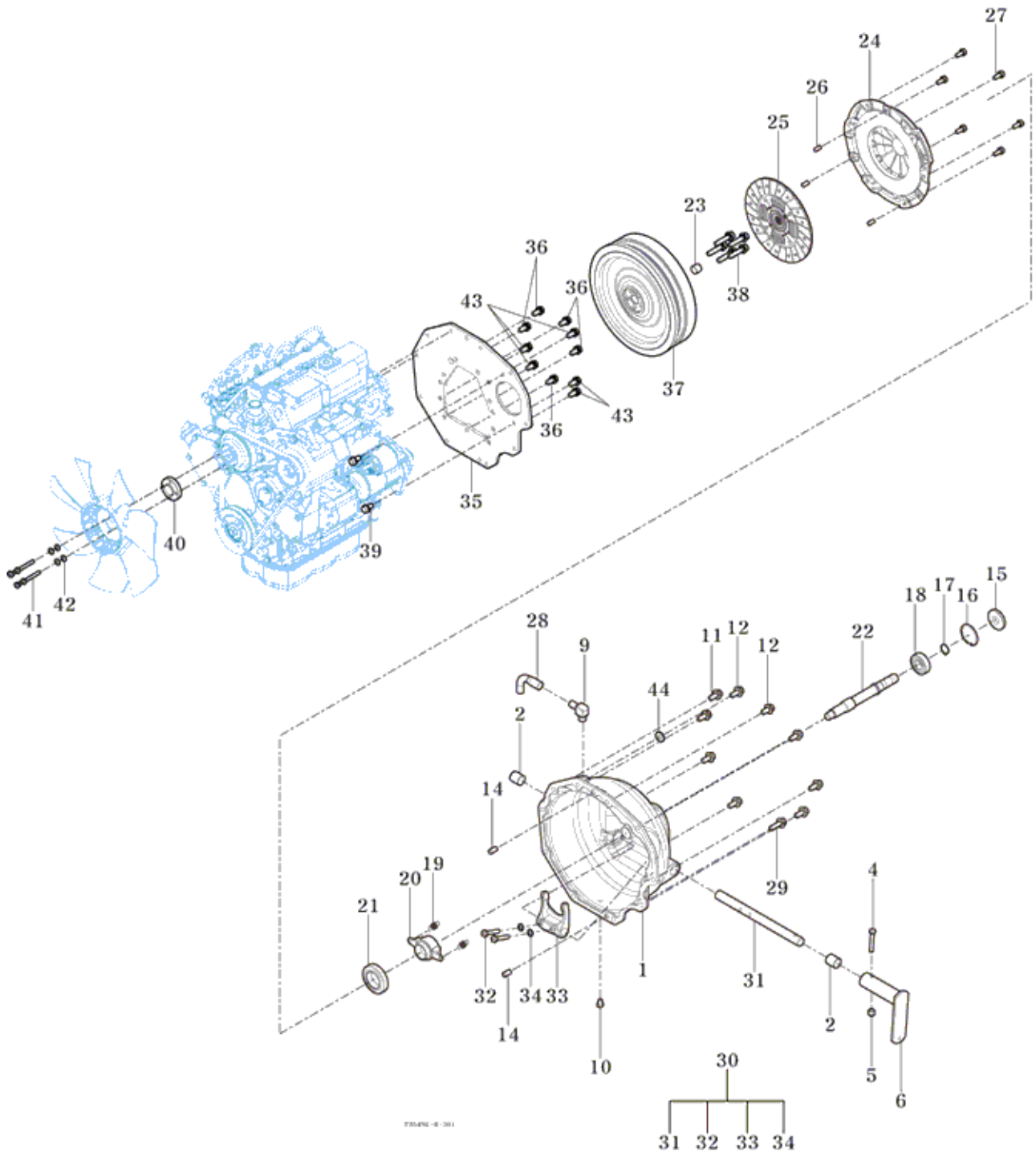
FIG

TS23NCEU

FLYWHEEL COVER

년/월  
Year/Month

2020.08



NOTE



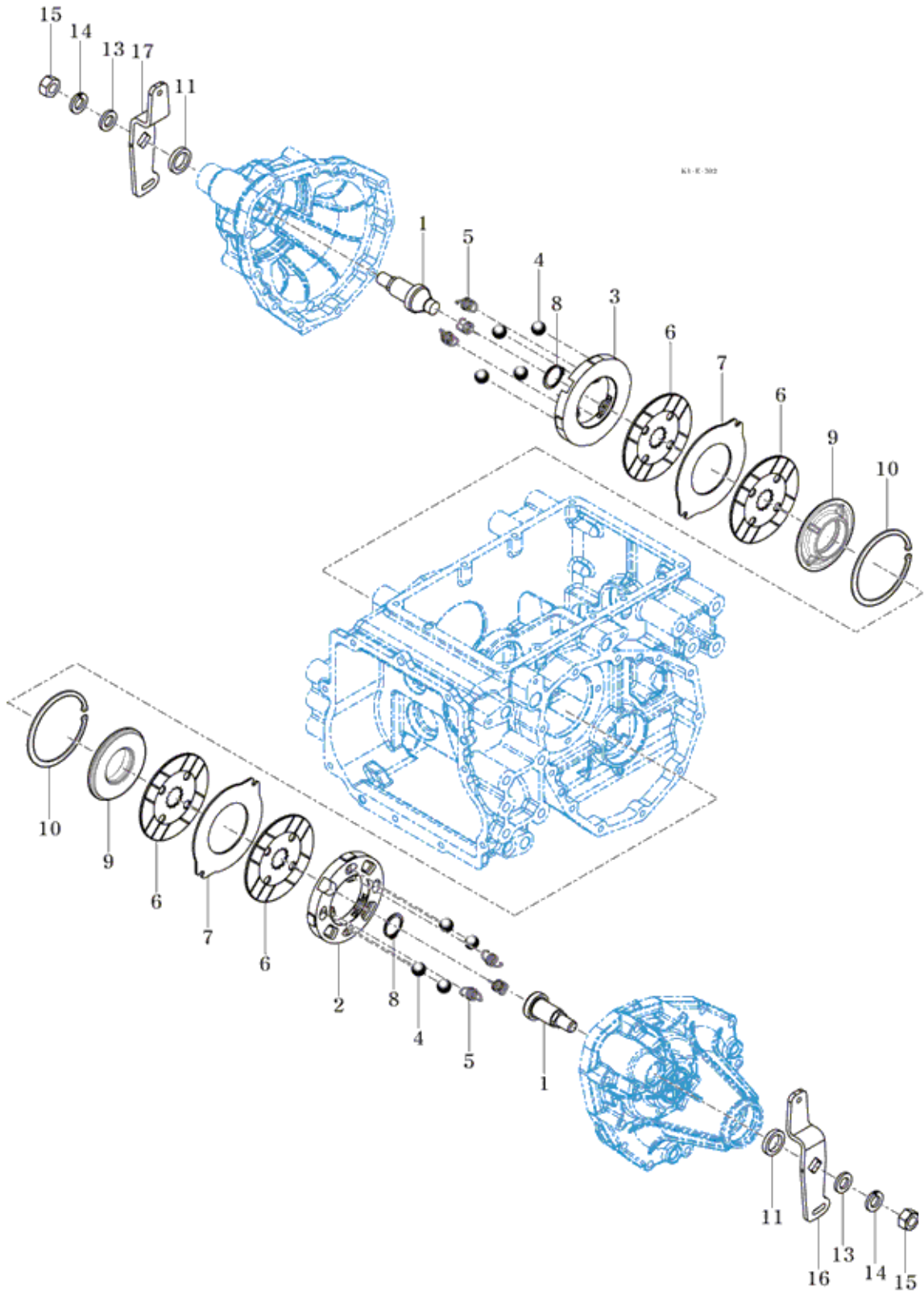
FIG

BRAKE

년/월  
Year/Month

TS23NCEU

2020.08



NOTE

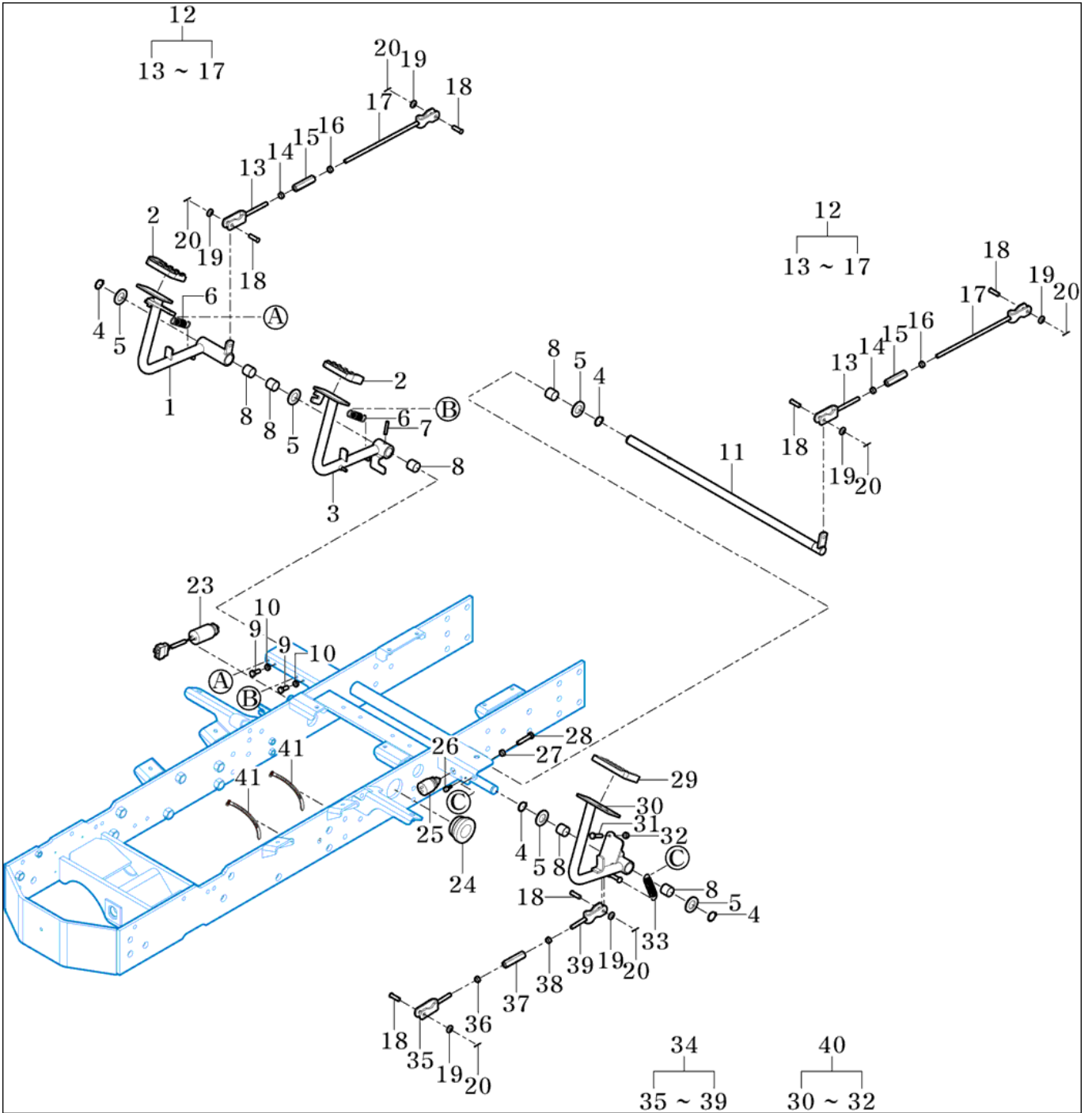
FIG

CLUTCH , BRAKE PEDAL & LINKAGE

년/월  
Year/Month

TS23NCEU

2020.08



NOTE

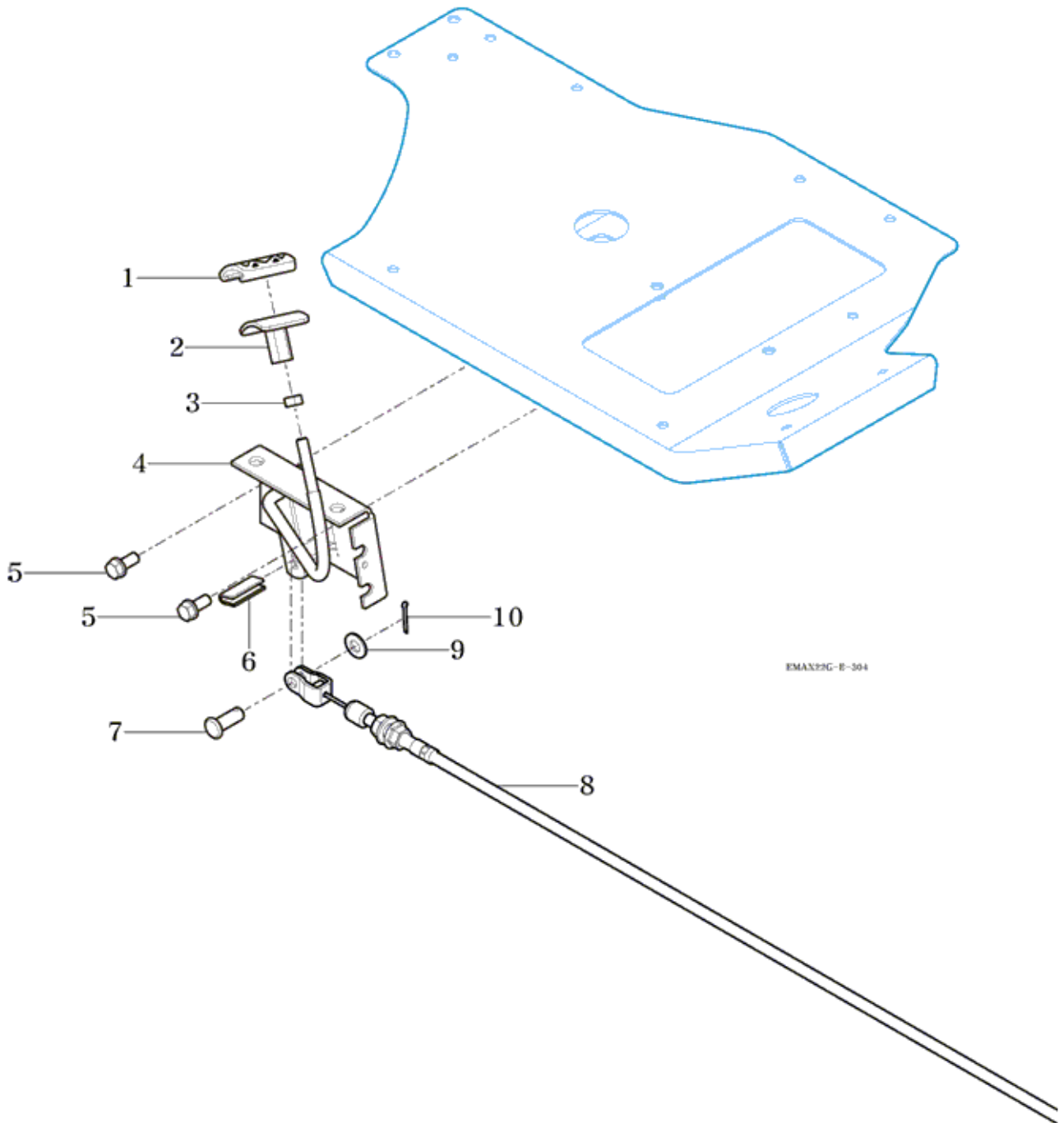
FIG

TS23NCEU

ACCELERATOR PEDAL & CABLE

년/월  
Year/Month

2020.08



NOTE

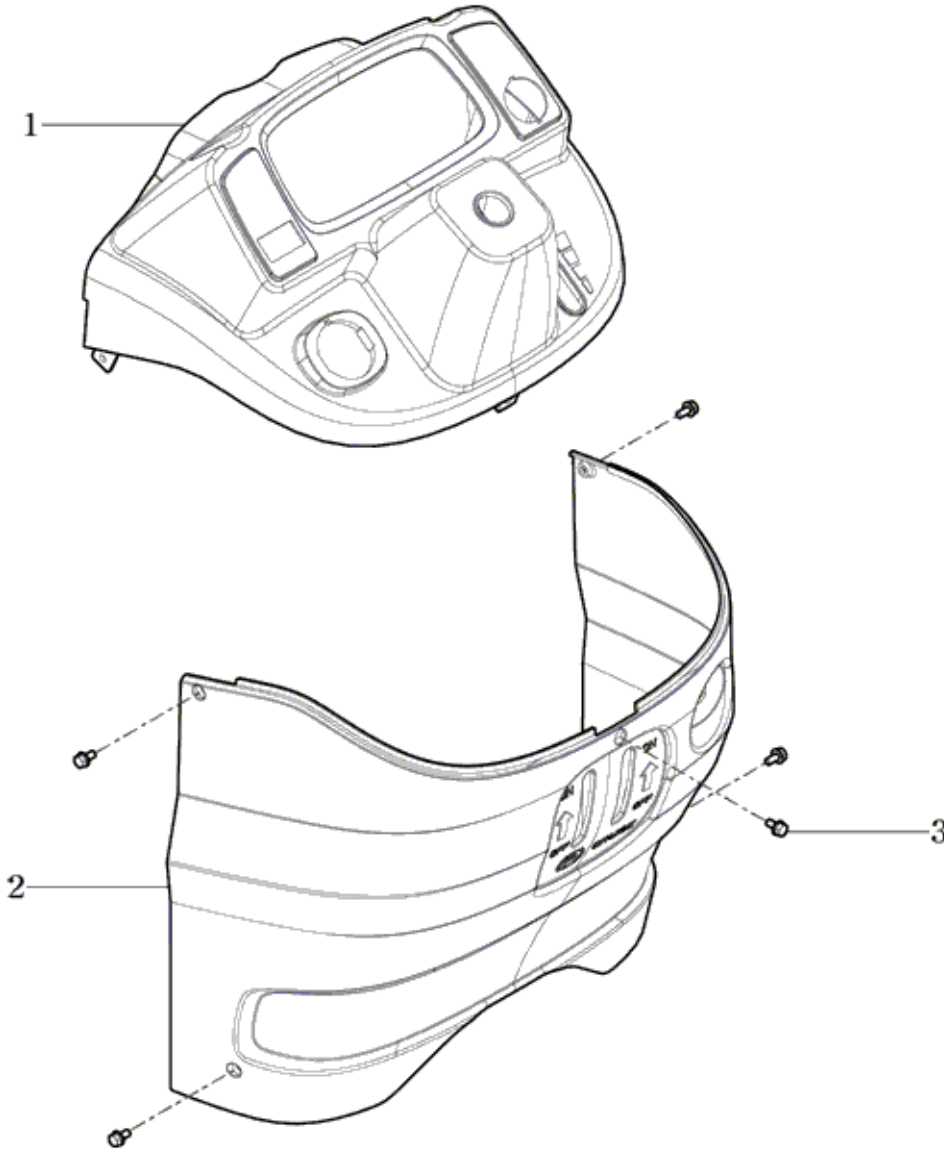
FIG

TS23NCEU

DASH COVER

년/월  
Year/Month

2020.08



NOTE

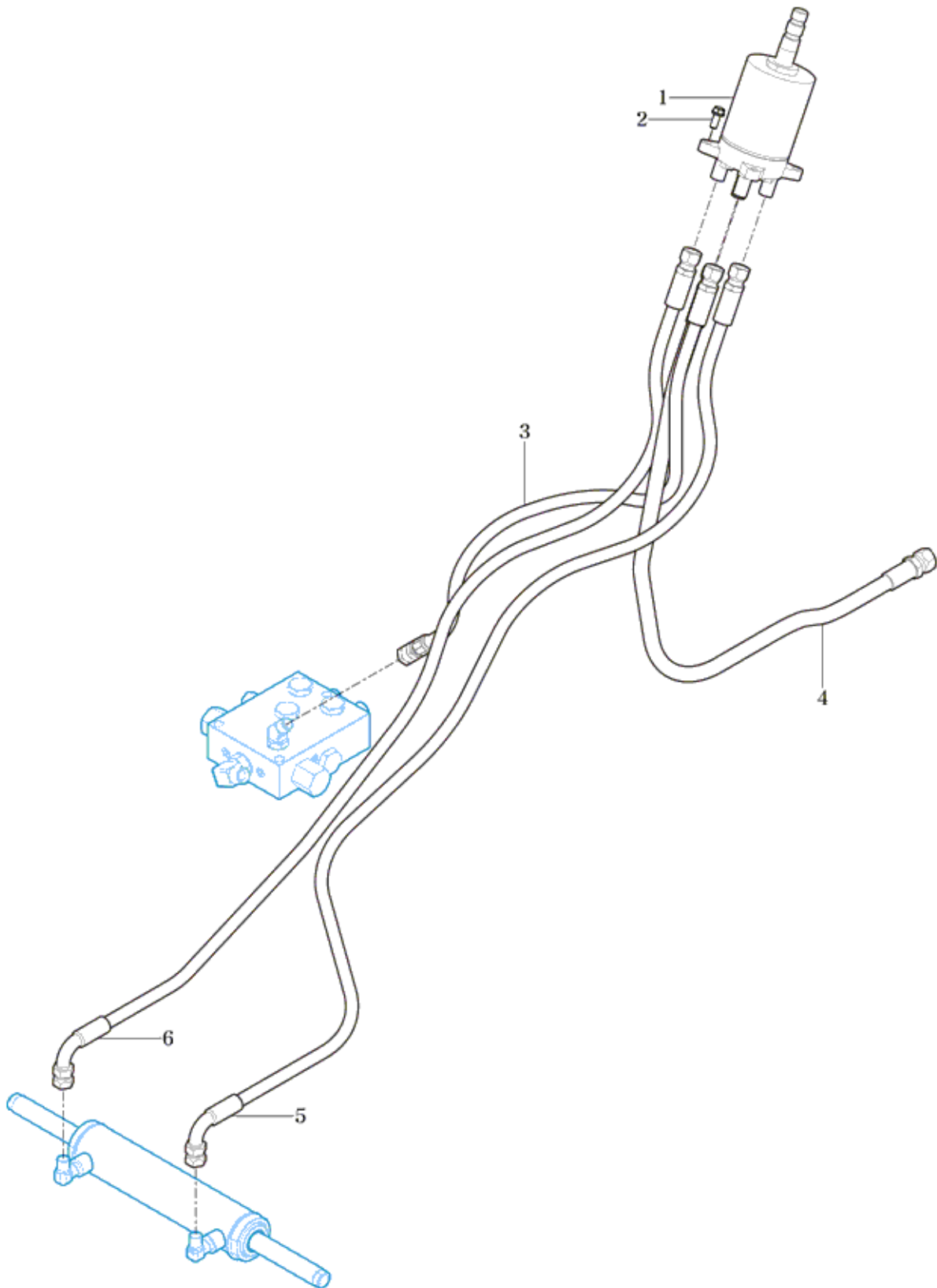
FIG

TS23NCEU

STEERING VALVE

년/월  
Year/Month

2020.08



NOTE

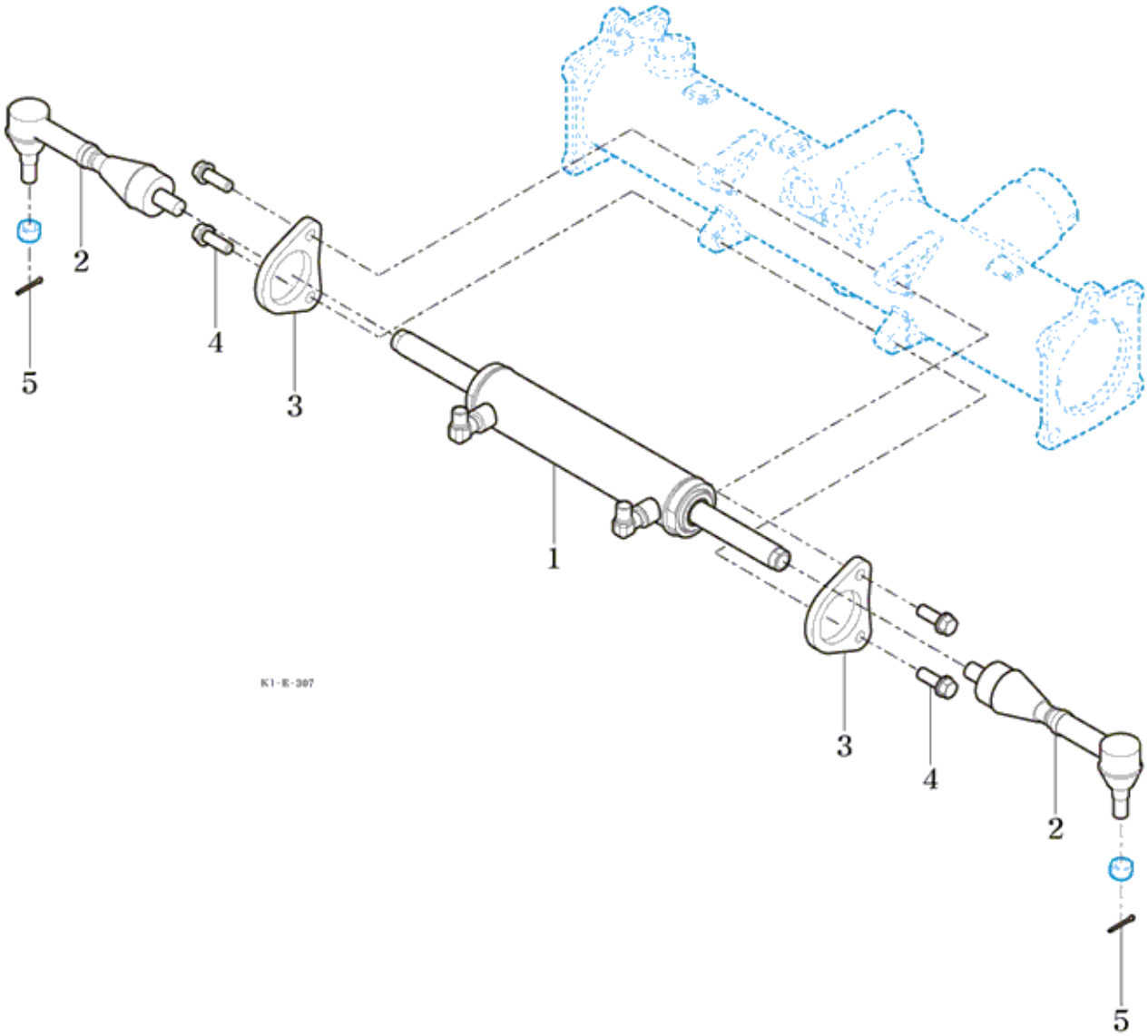
FIG

TS23NCEU

STEERING CYLINDER

년/월  
Year/Month

2020.08



NOTE

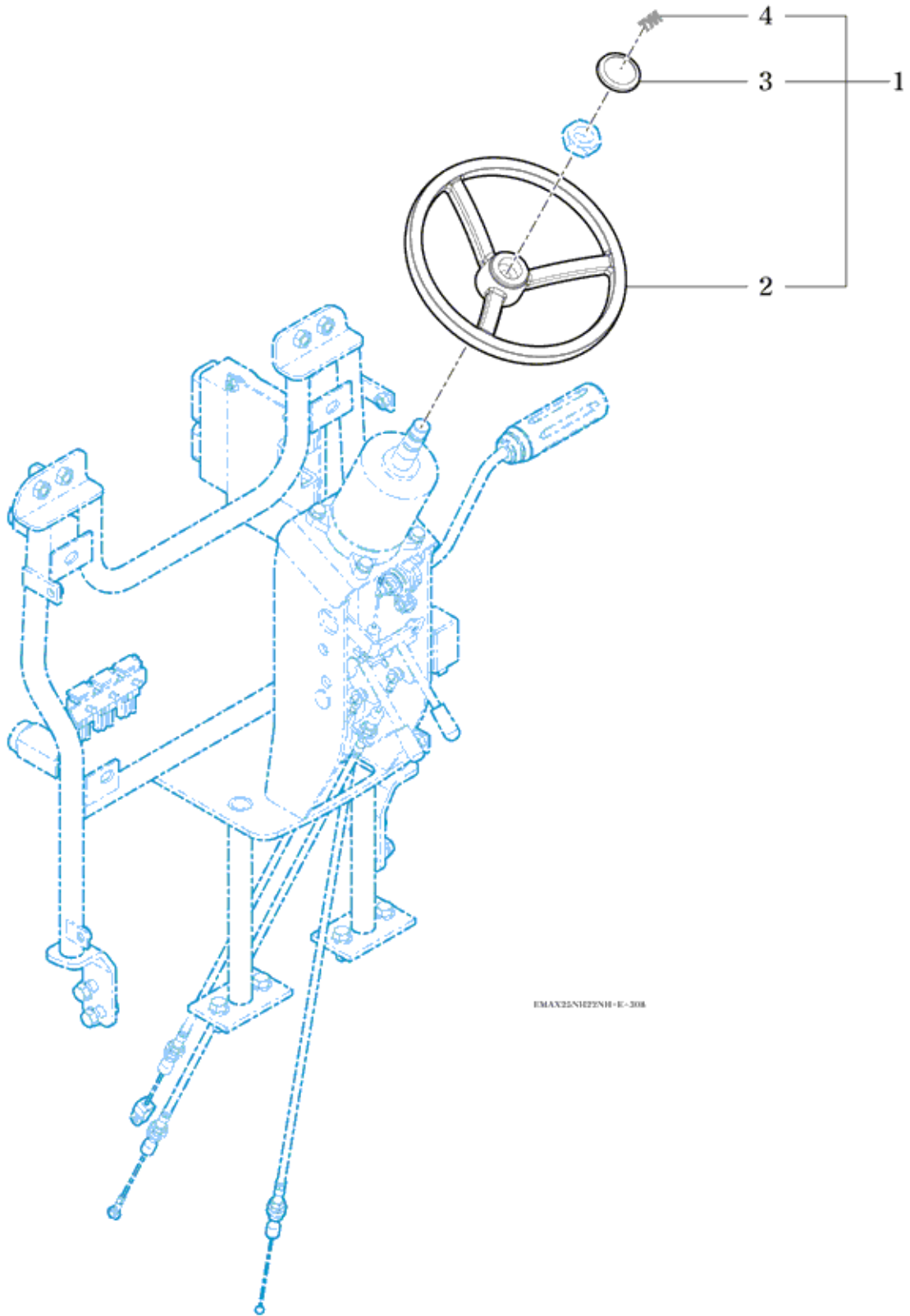
FIG

TS23NCEU

STEERING WHEEL

년/월  
Year/Month

2020.08



NOTE

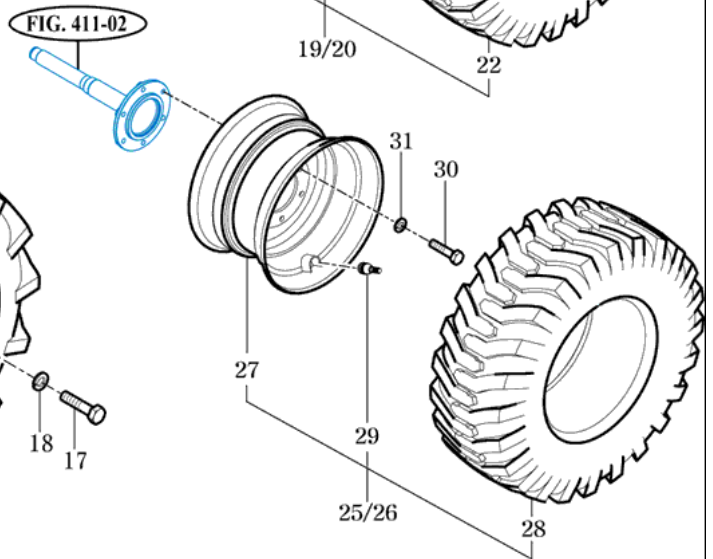
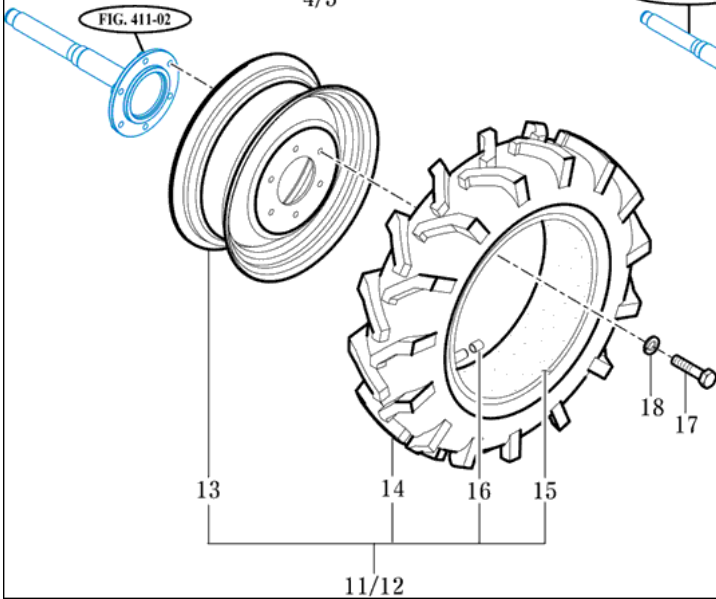
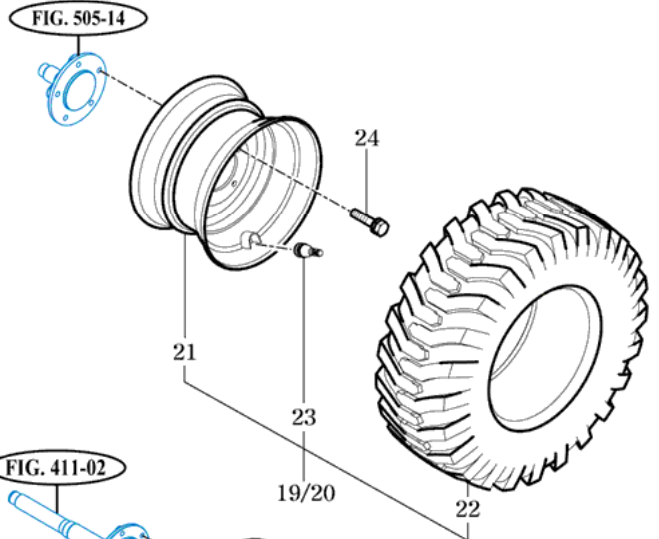
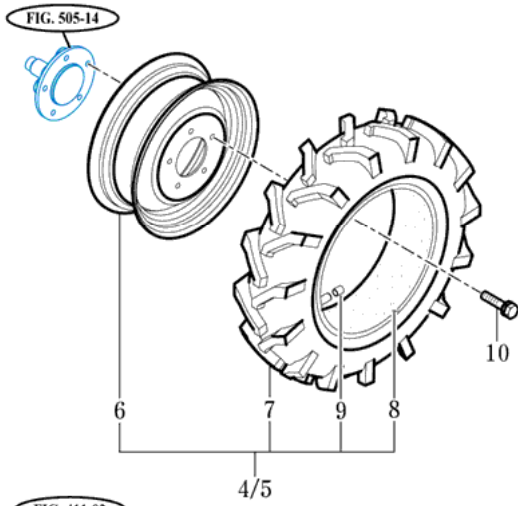
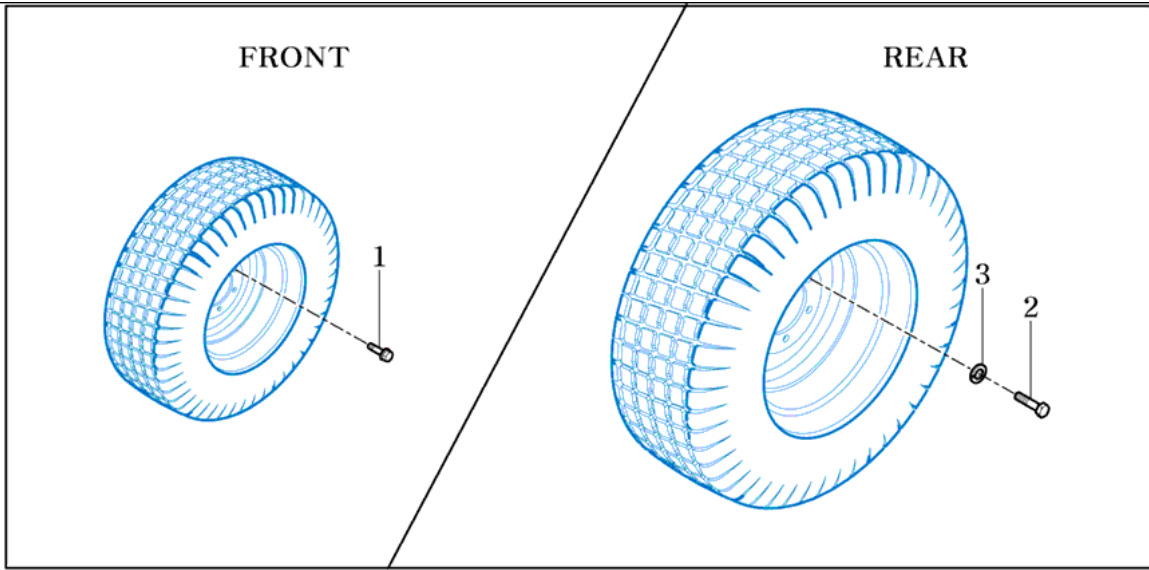
FIG

TIRE

년/월  
Year/Month

TS23NCEU

2020.08



T25NBL-309

NOTE



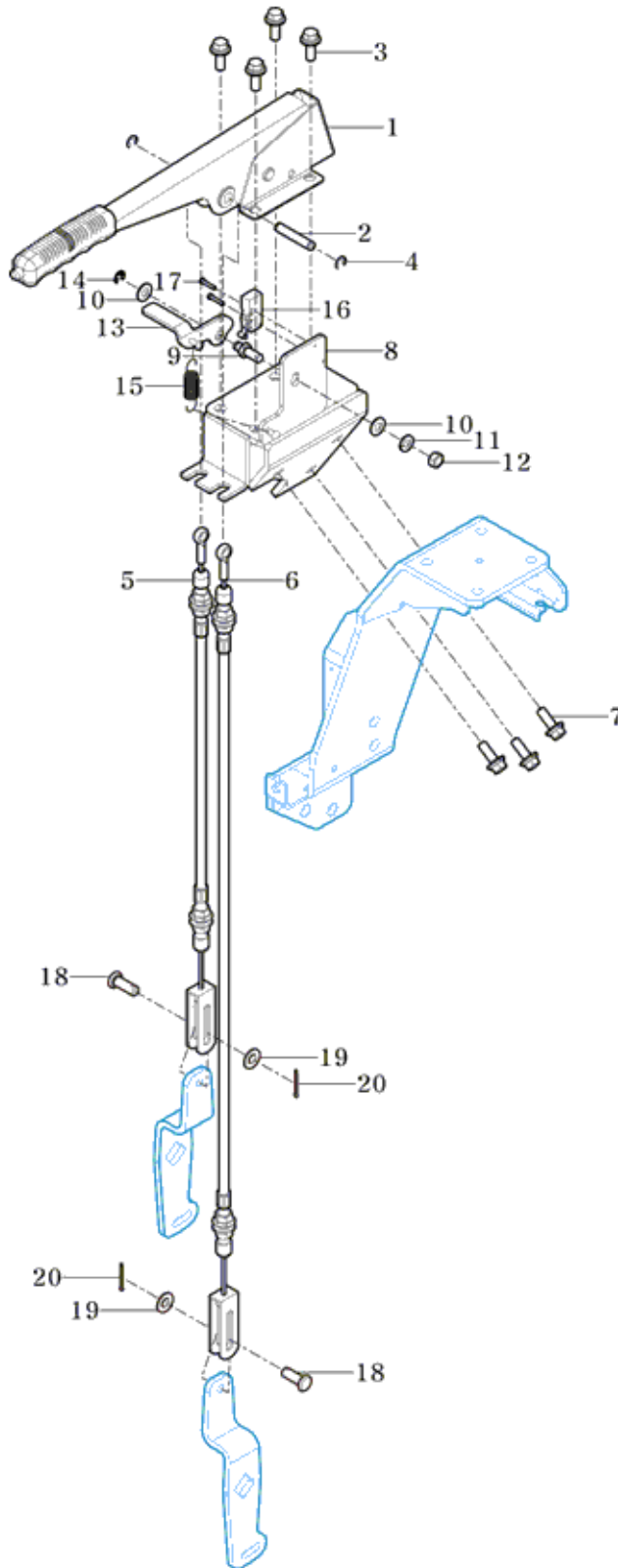
FIG

TS23NCEU

HAND BRAKE

년/월  
Year/Month

2020.08



NOTE

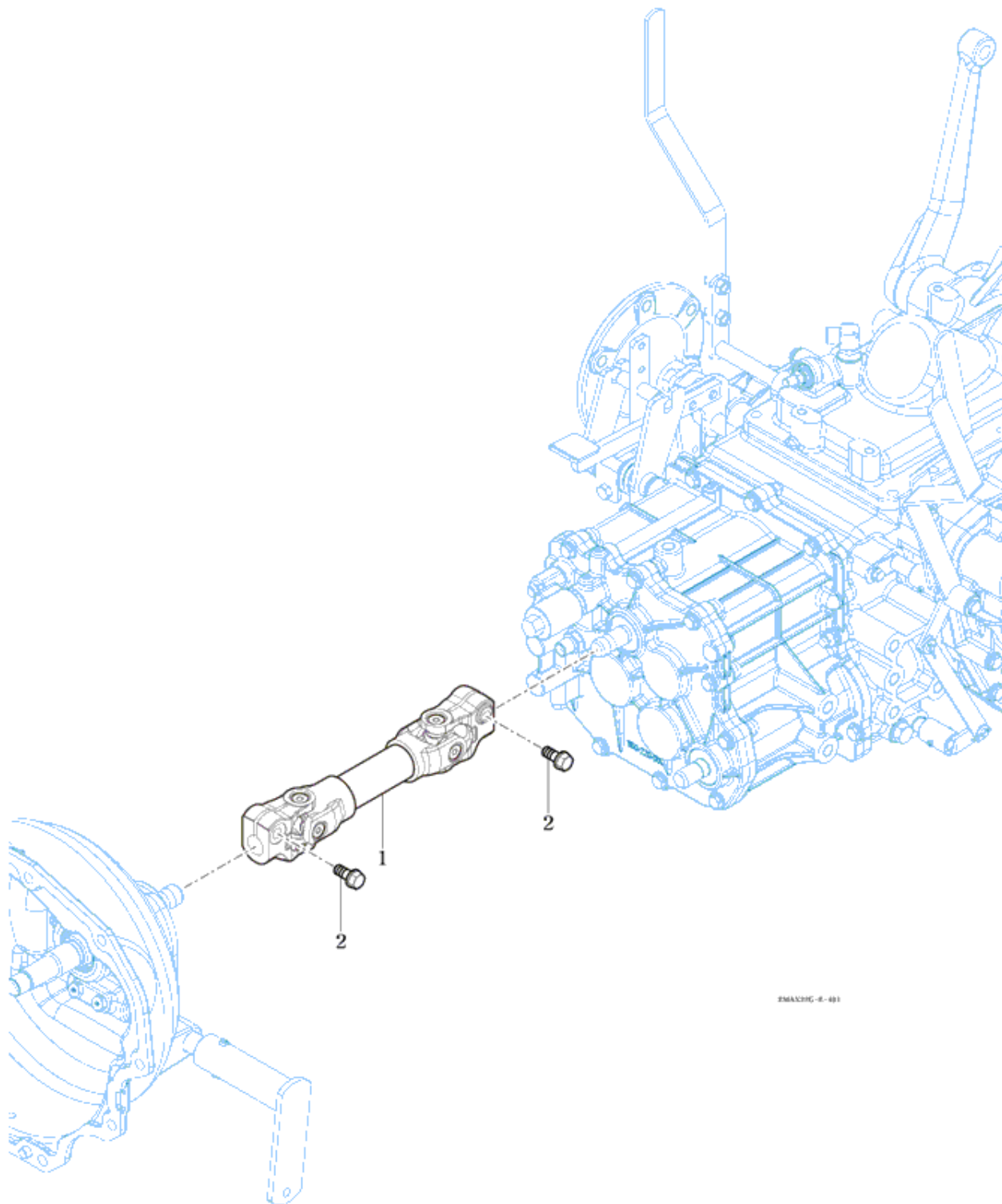
FIG

TS23NCEU

# INPUT SHAFT

년/월  
Year/Month

2020.08



EMAXING-E-481

NOTE

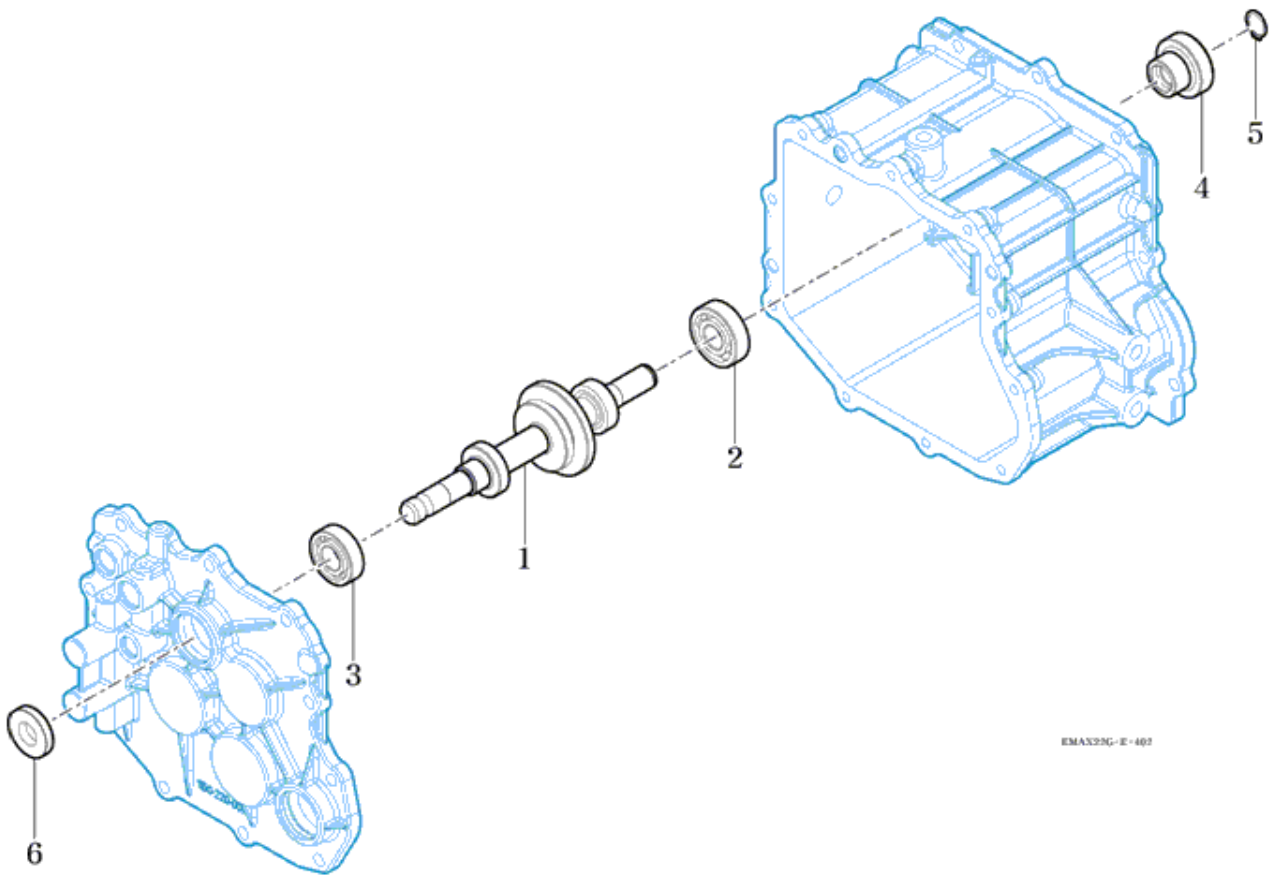
FIG

TS23NCEU

INPUT GEAR

년/월  
Year/Month

2020.08



EMAX23G-E-402

NOTE

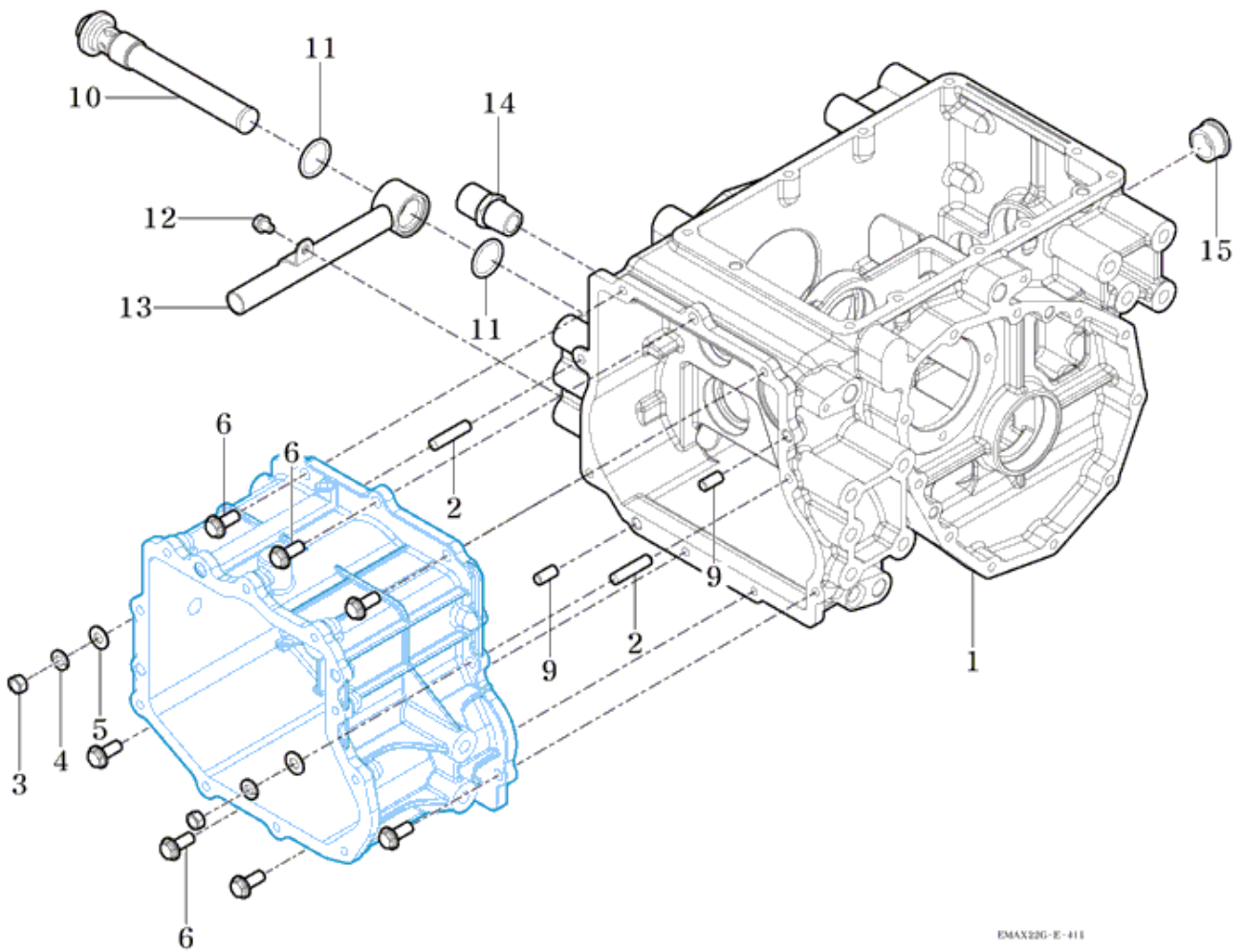
FIG

REAR TRANSMISSION CASE

년/월  
Year/Month

TS23NCEU

2020.08



EMAN220-E-011

NOTE

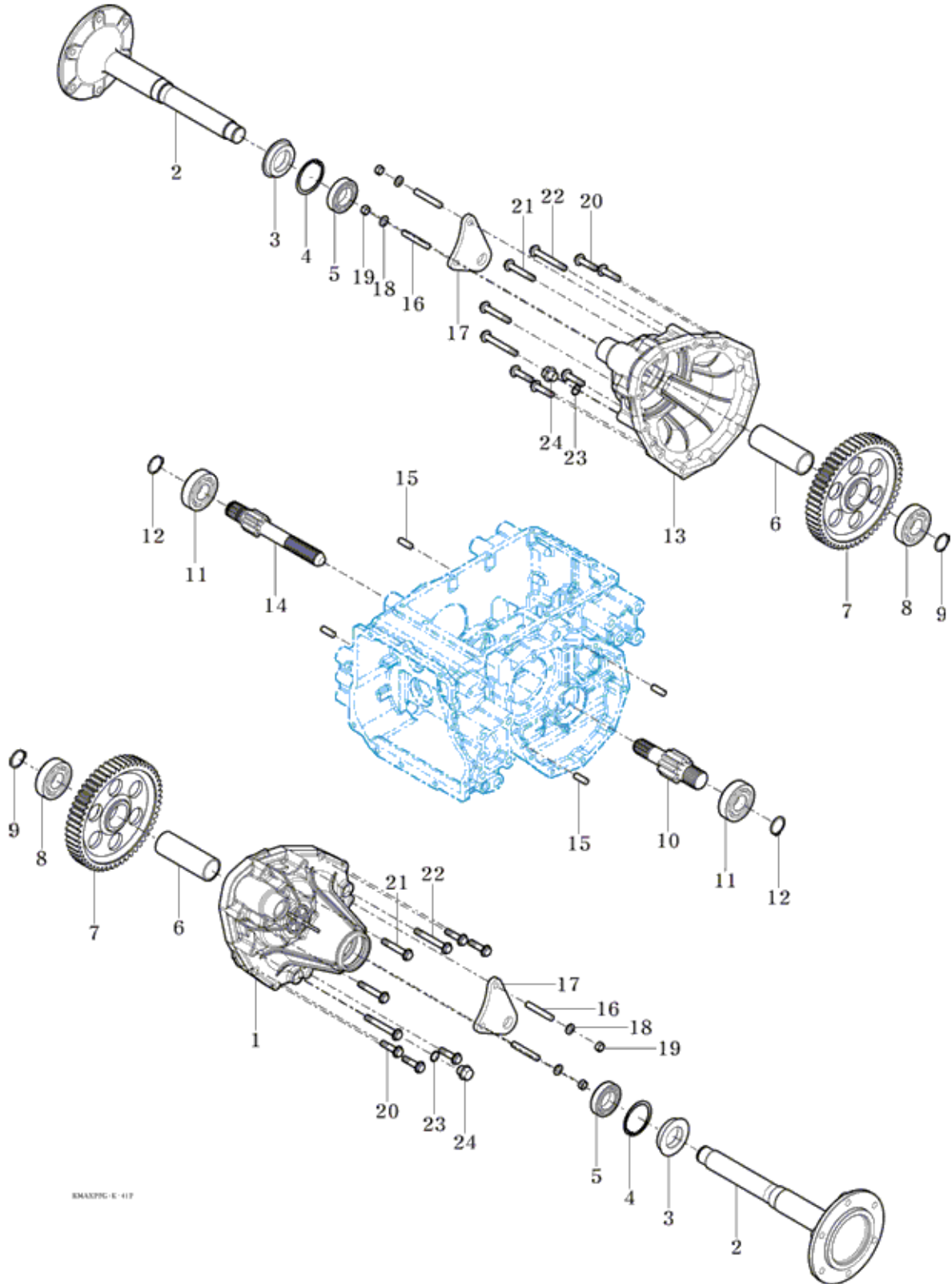
FIG

REAR AXLE HOUSING

년/월  
Year/Month

TS23NCEU

2020.08



NOTE

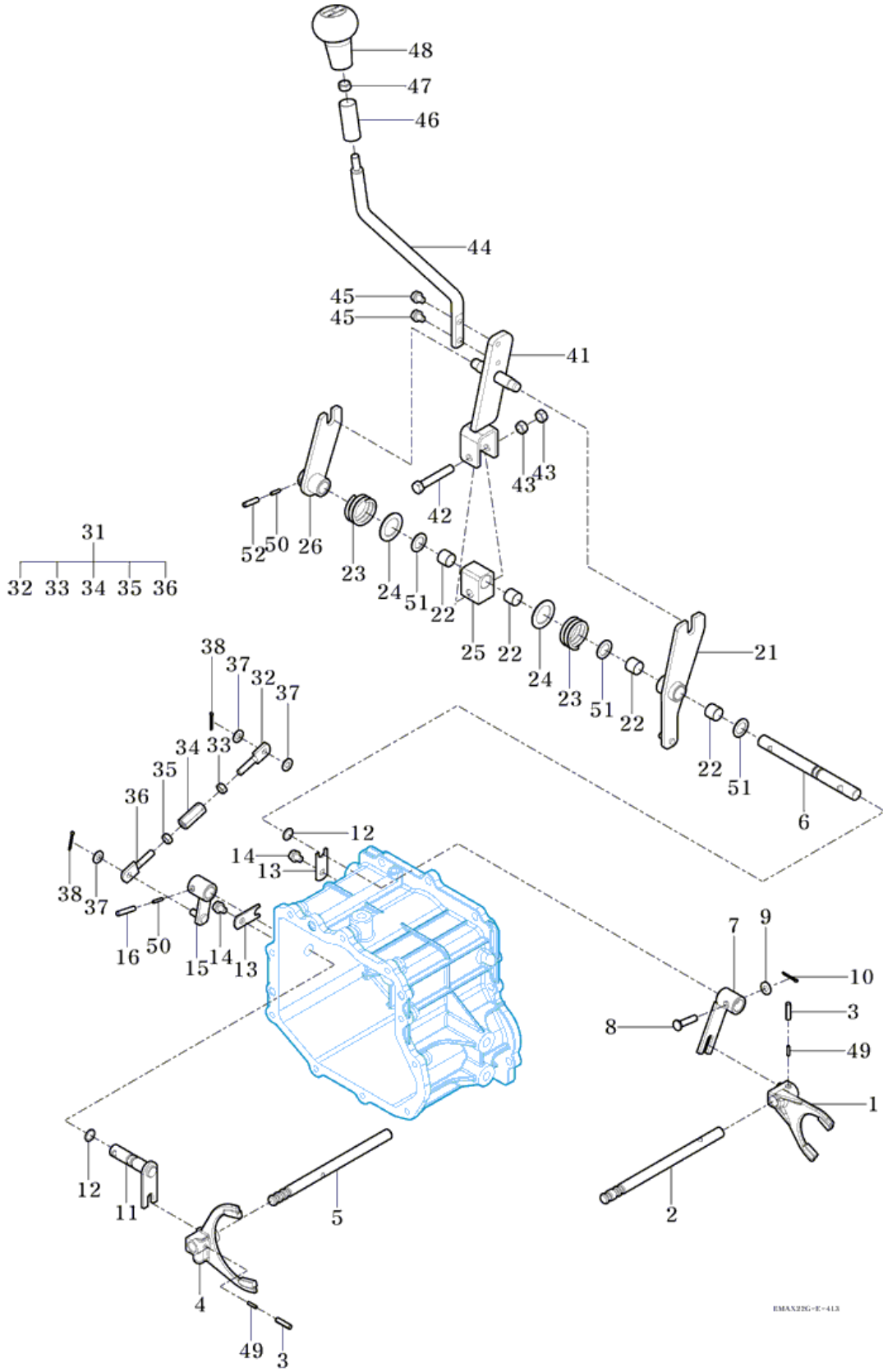
FIG

TS23NCEU

MAIN SHIFT LEVER

년/월  
Year/Month

2020.08



EMANZEG-E-113

NOTE

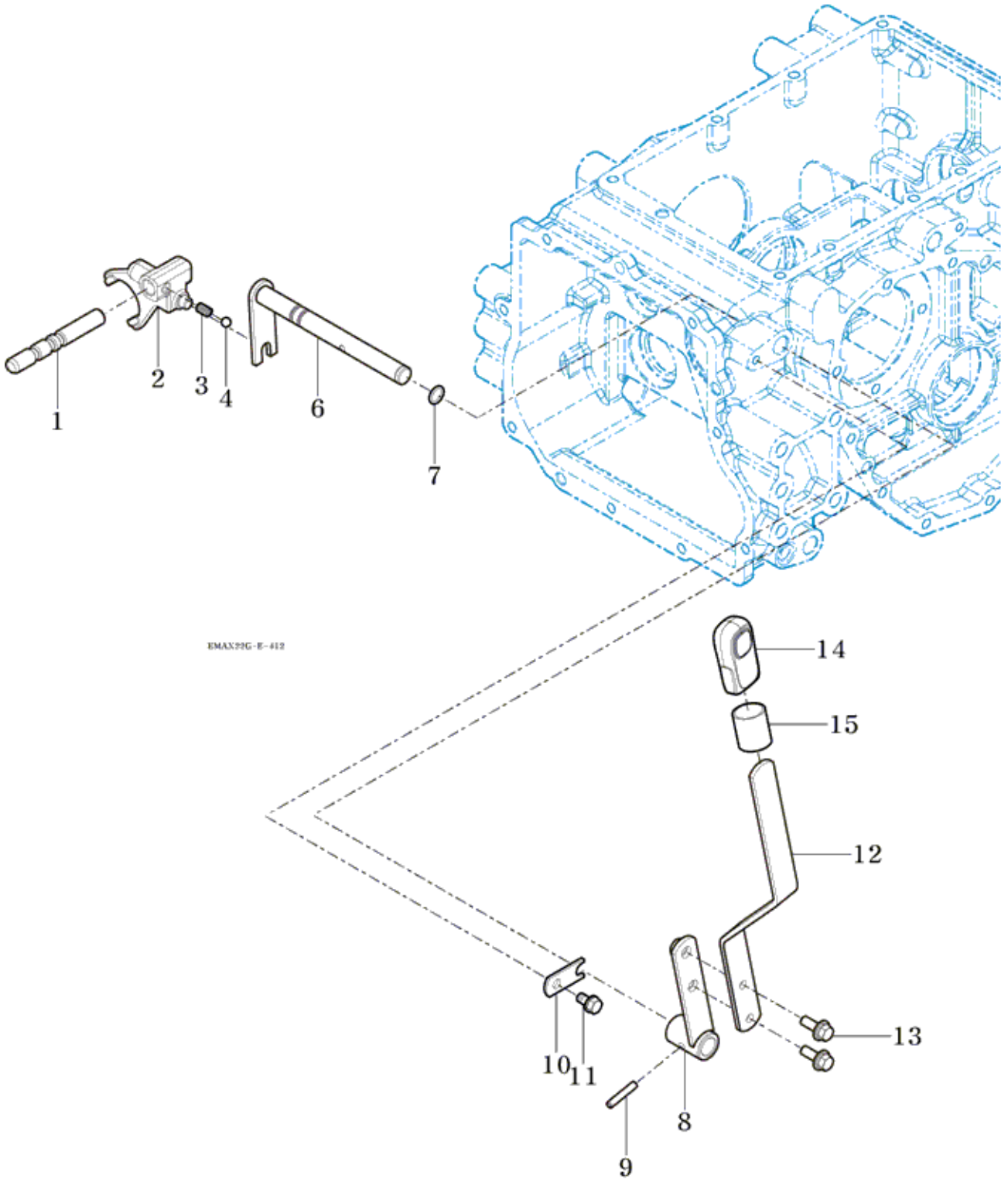
FIG

RANGE SHIFT LEVER

년/월  
Year/Month

TS23NCEU

2020.08



NOTE

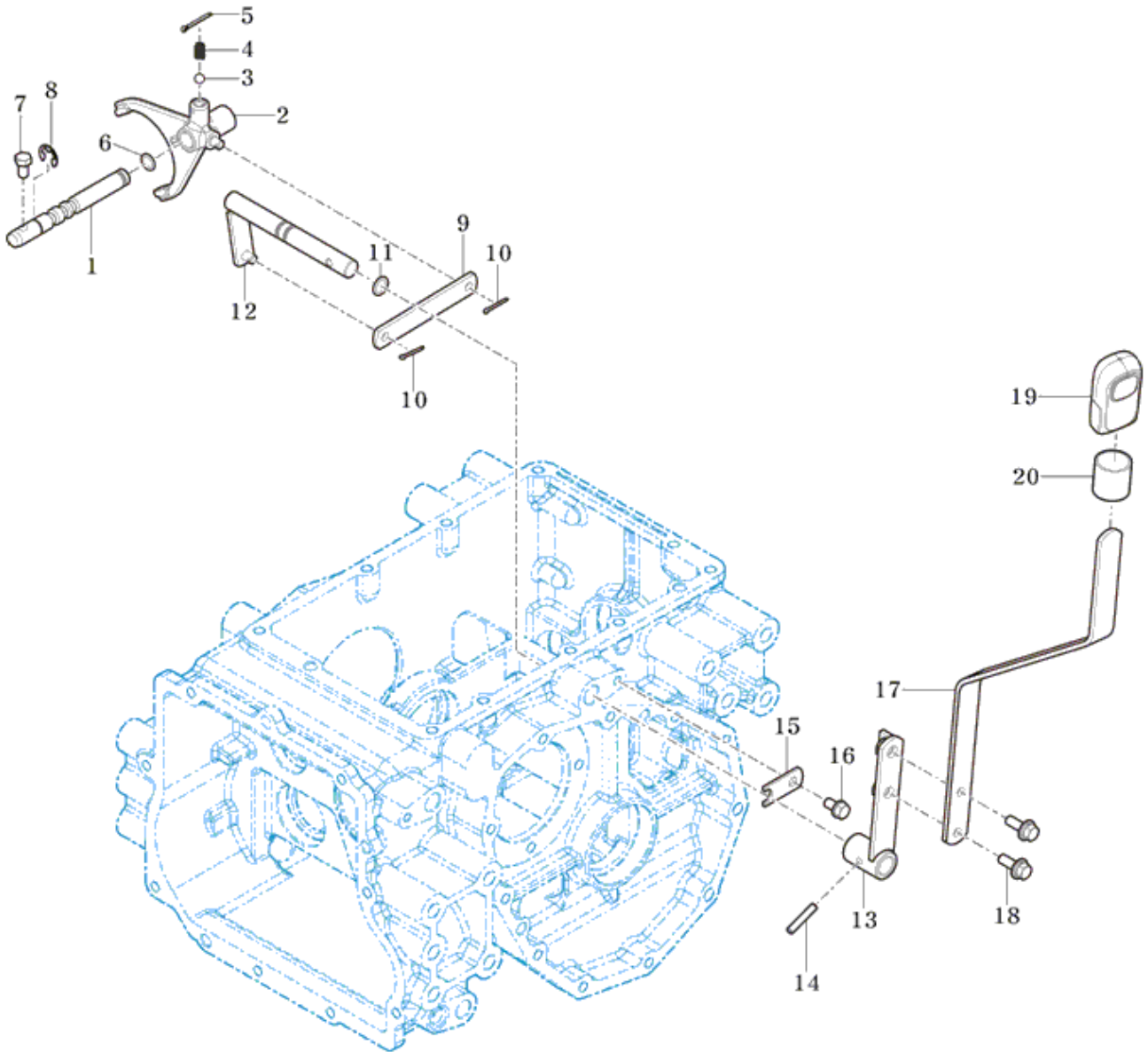
FIG

P.T.O CHANGE LEVER

년/월  
Year/Month

TS23NCEU

2020.08



NOTE



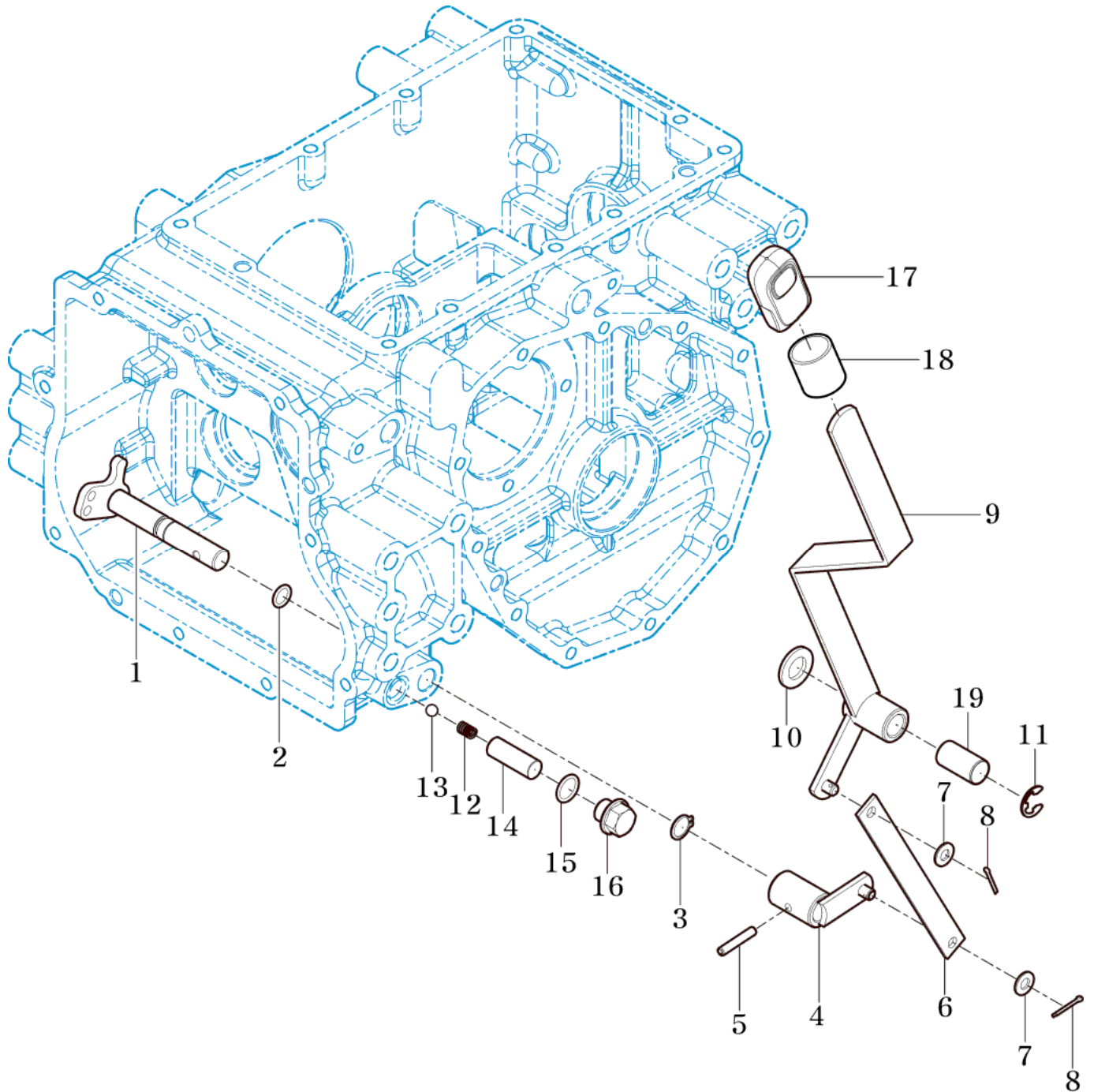
FIG

4WD CHANGE LEVER

년/월  
Year/Month

TS23NCEU

2020.08



NOTE

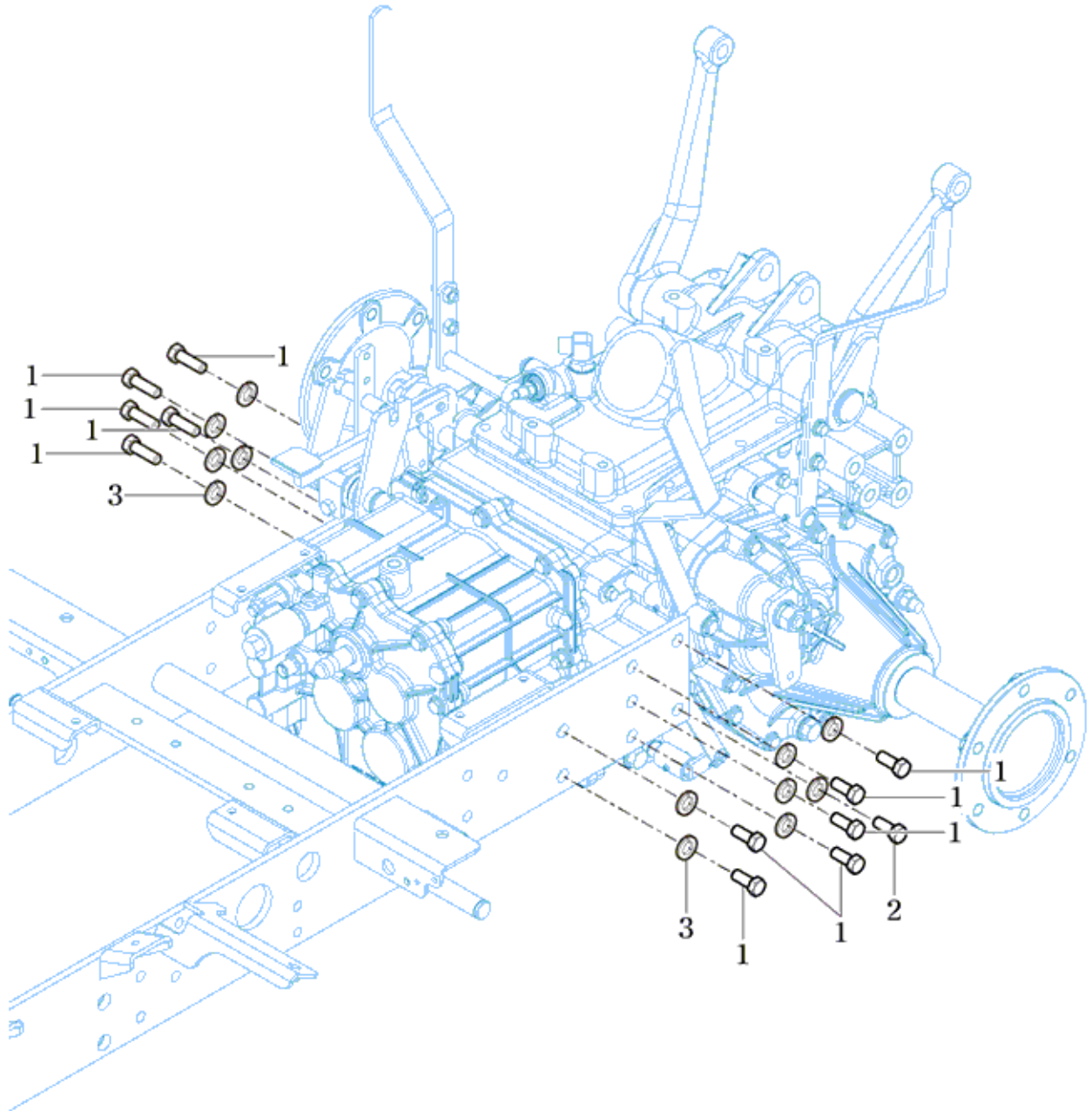
FIG

TRANSMISSION MOUNTING

년/월  
Year/Month

TS23NCEU

2020.08



EMAN2PG-E-417

NOTE

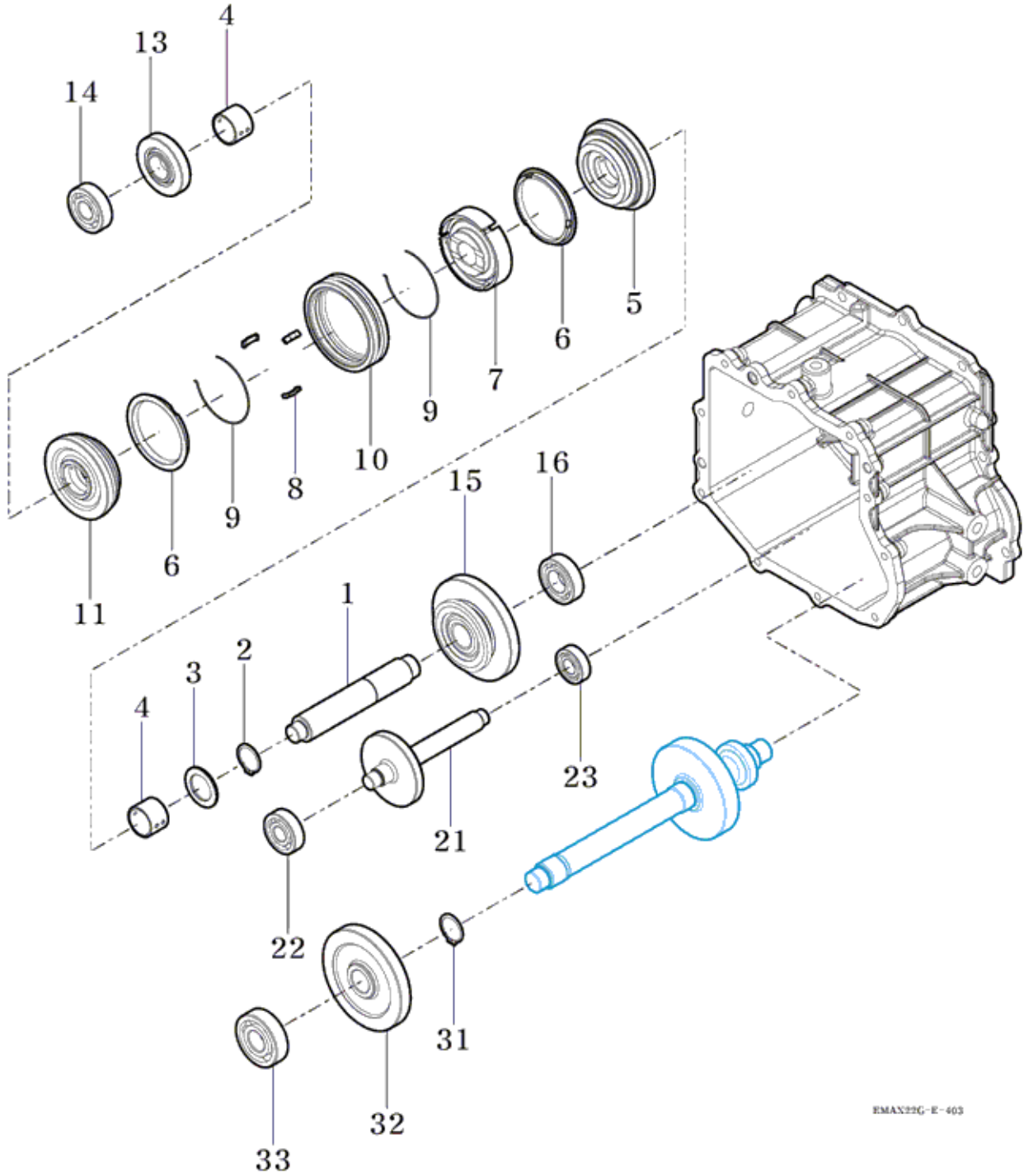
FIG

MAIN SHIFT GEAR

년/월  
Year/Month

TS23NCEU

2020.08



RMAX22G-E-403

NOTE

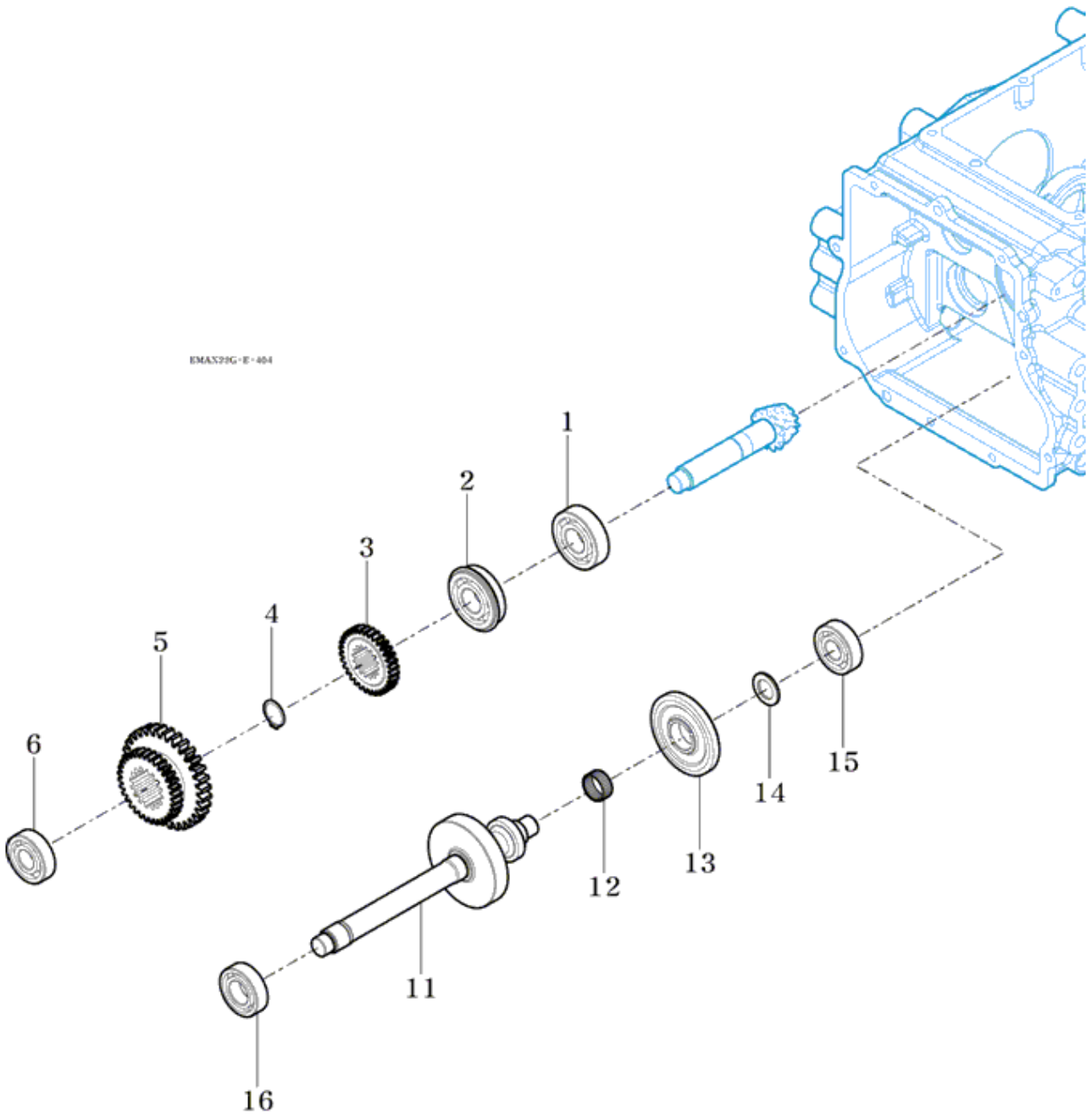
FIG

TS23NCEU

RANGE GEAR

년/월  
Year/Month

2020.08



NOTE

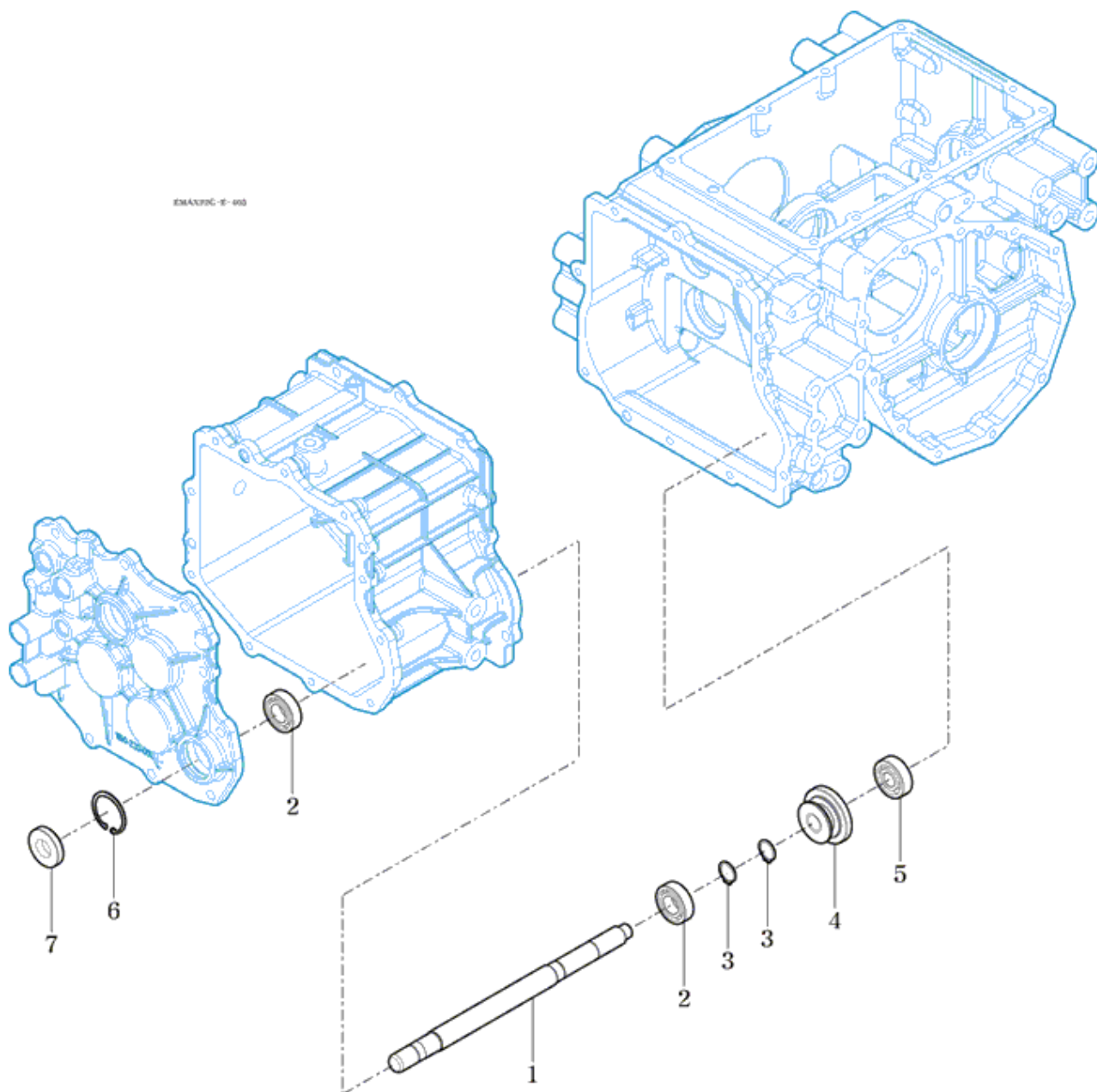
FIG

4WD DRIVE GEAR

년/월  
Year/Month

TS23NCEU

2020.08



NOTE

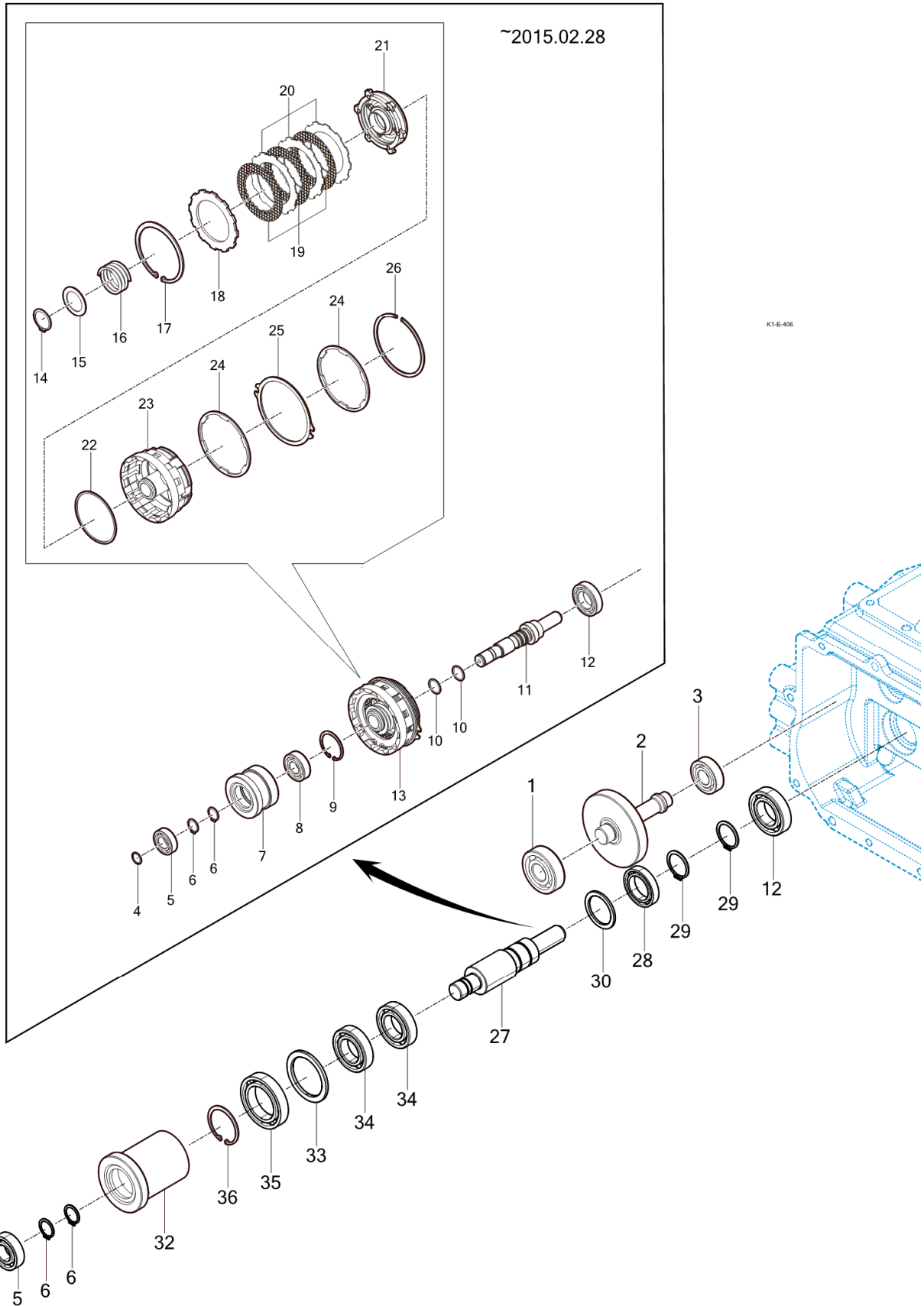
FIG

P.T.O DRIVE SHAFT

년/월  
Year/Month

TS23NCEU

2020.08



NOTE

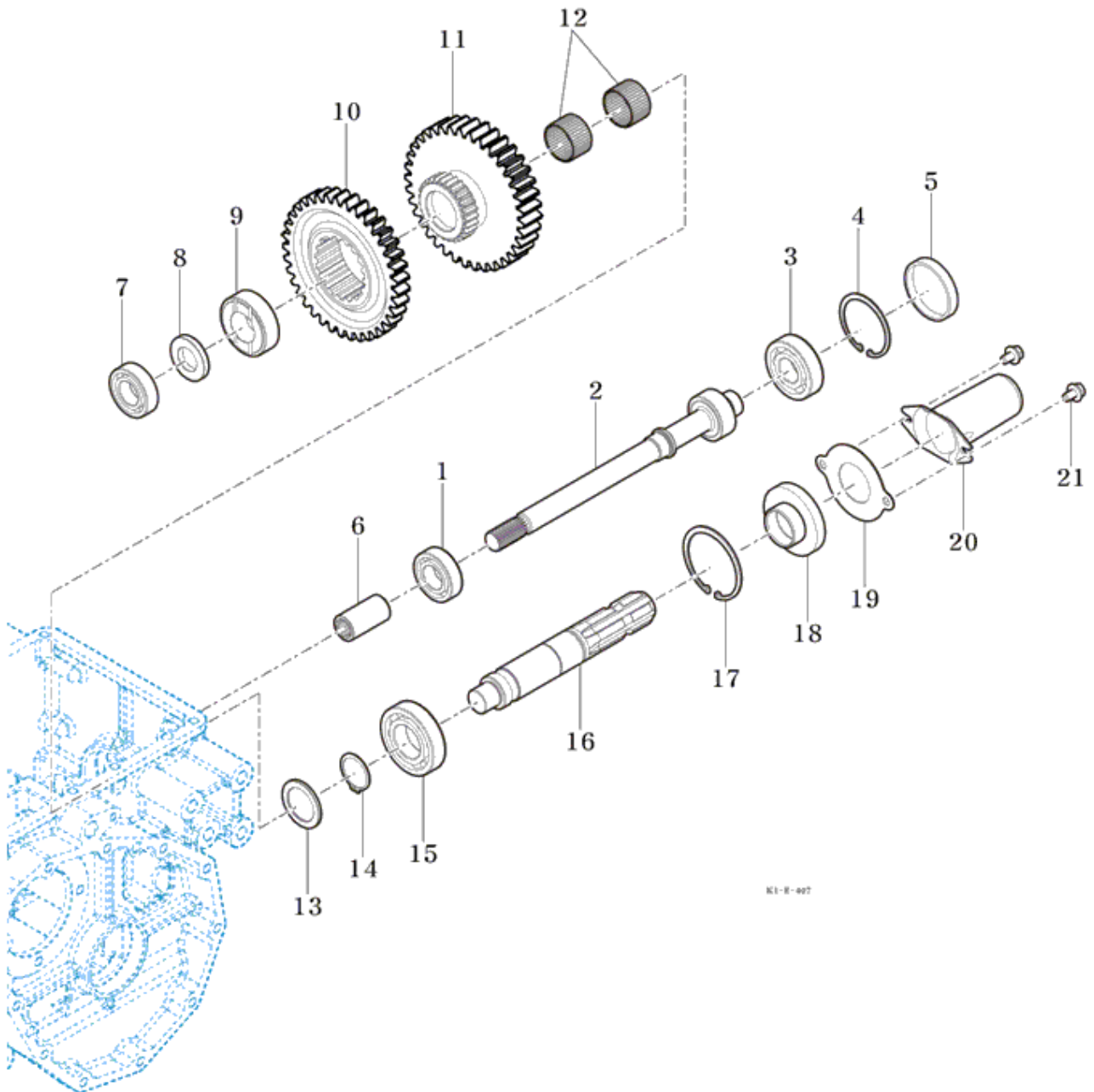
FIG

TS23NCEU

P.T.O SHAFT

년/월  
Year/Month

2020.08



NOTE

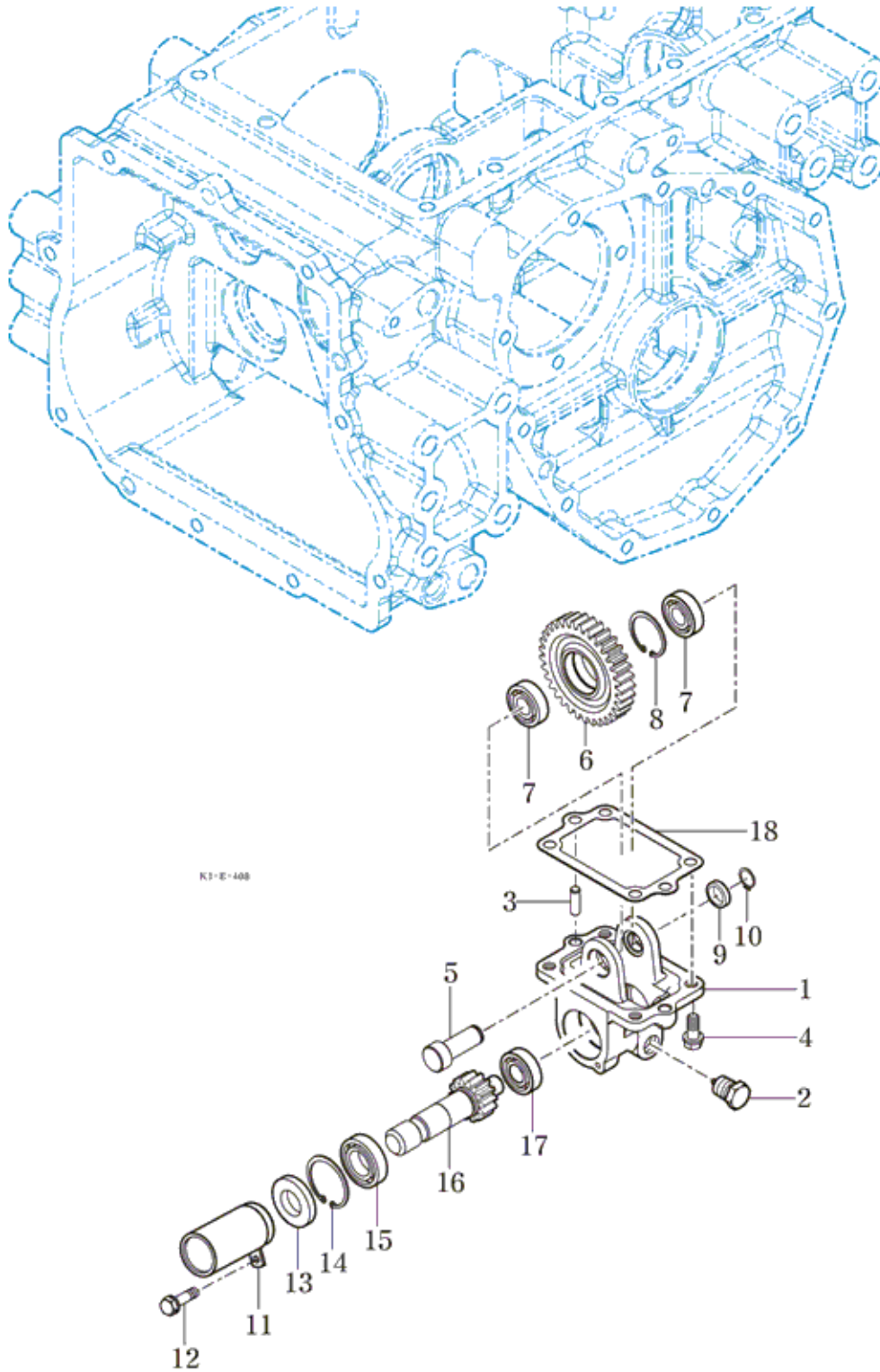
FIG

MID P.T.O GEAR

년/월  
Year/Month

TS23NCEU

2020.08



NOTE



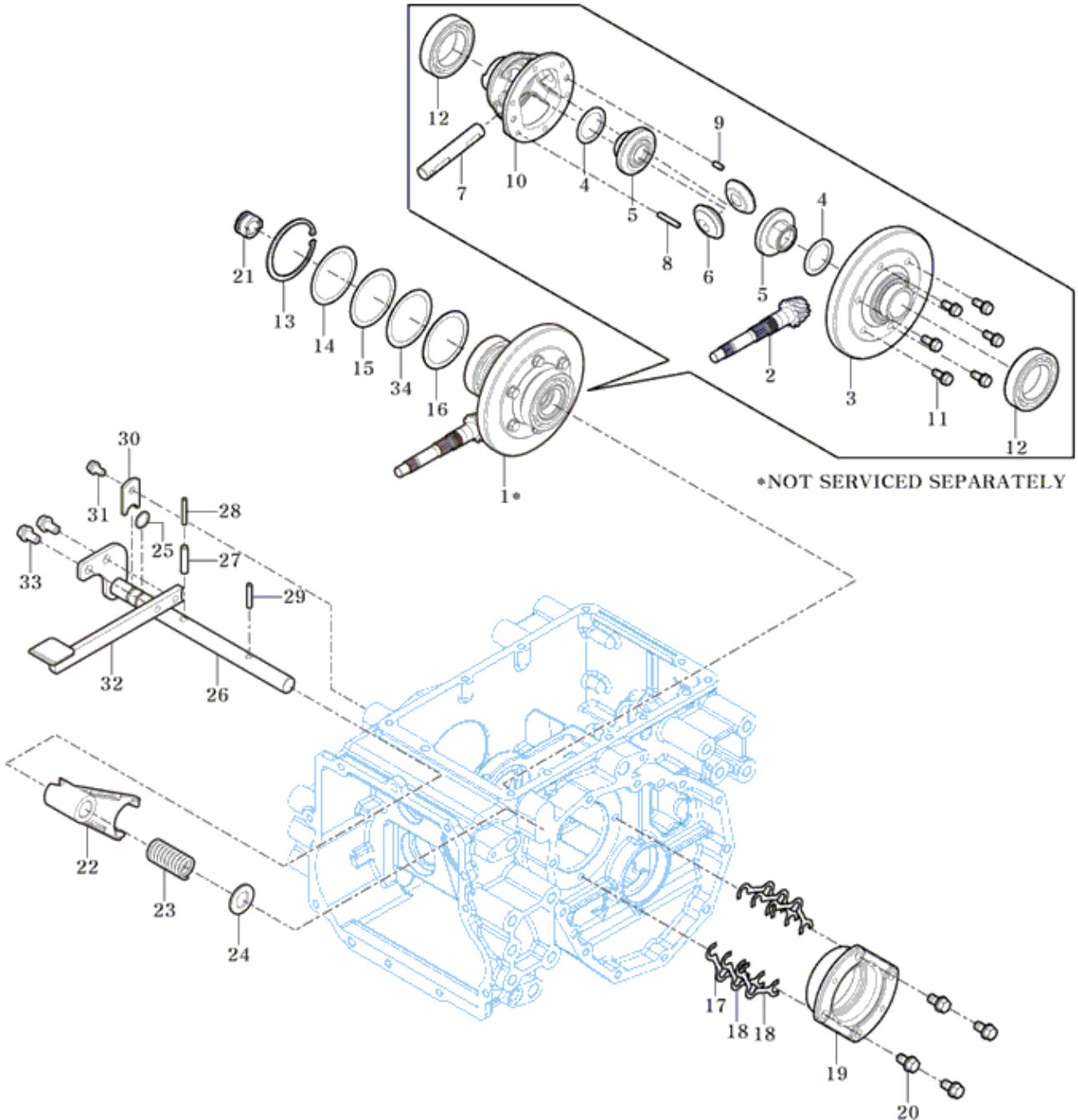
FIG

DIFF LOCK

년/월  
Year/Month

TS23NCEU

2020.08



NOTE

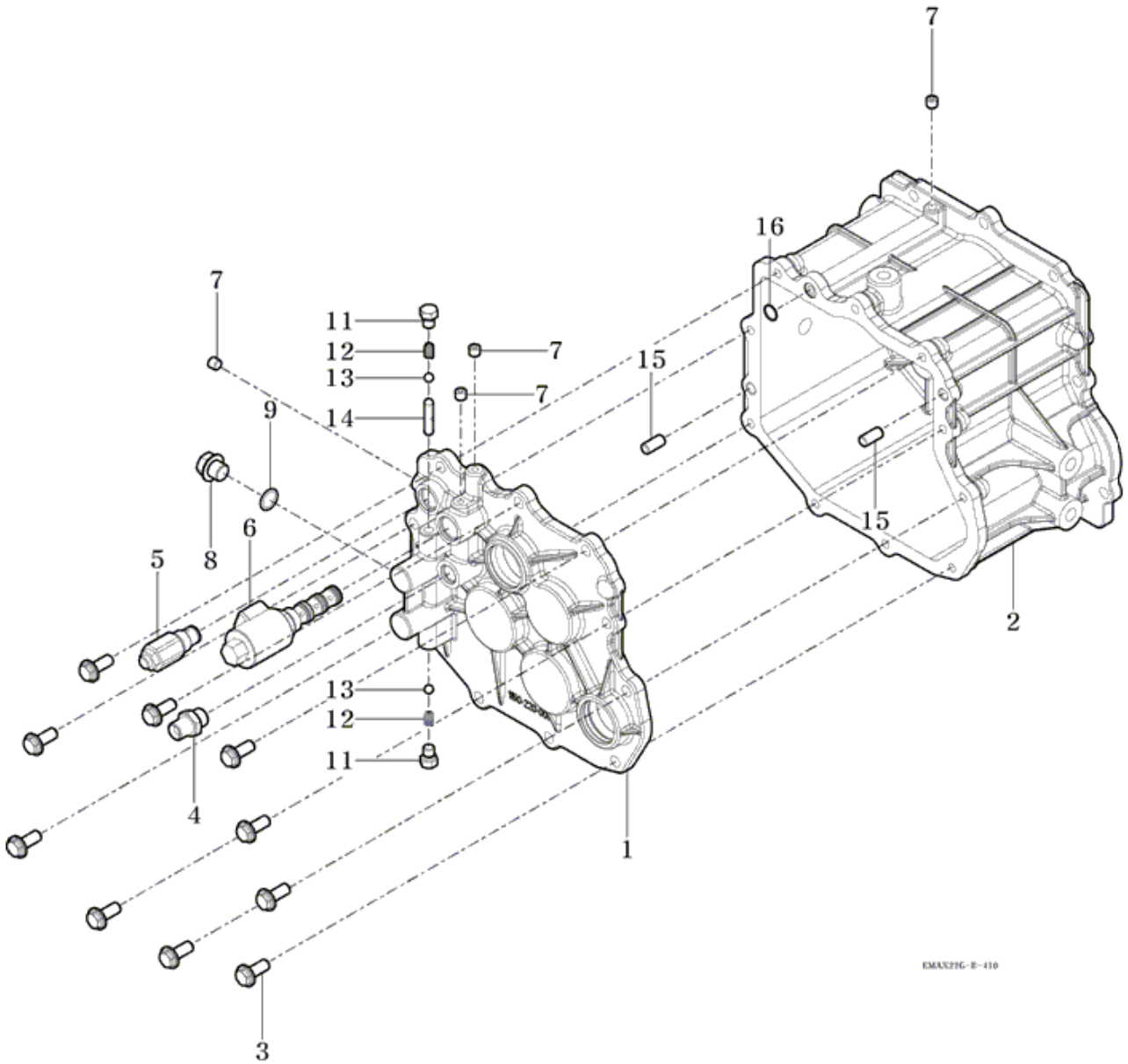
FIG

TS23NCEU

MID TRANSMISSION CASE

년/월  
Year/Month

2020.08



EMAX216-E-410

NOTE

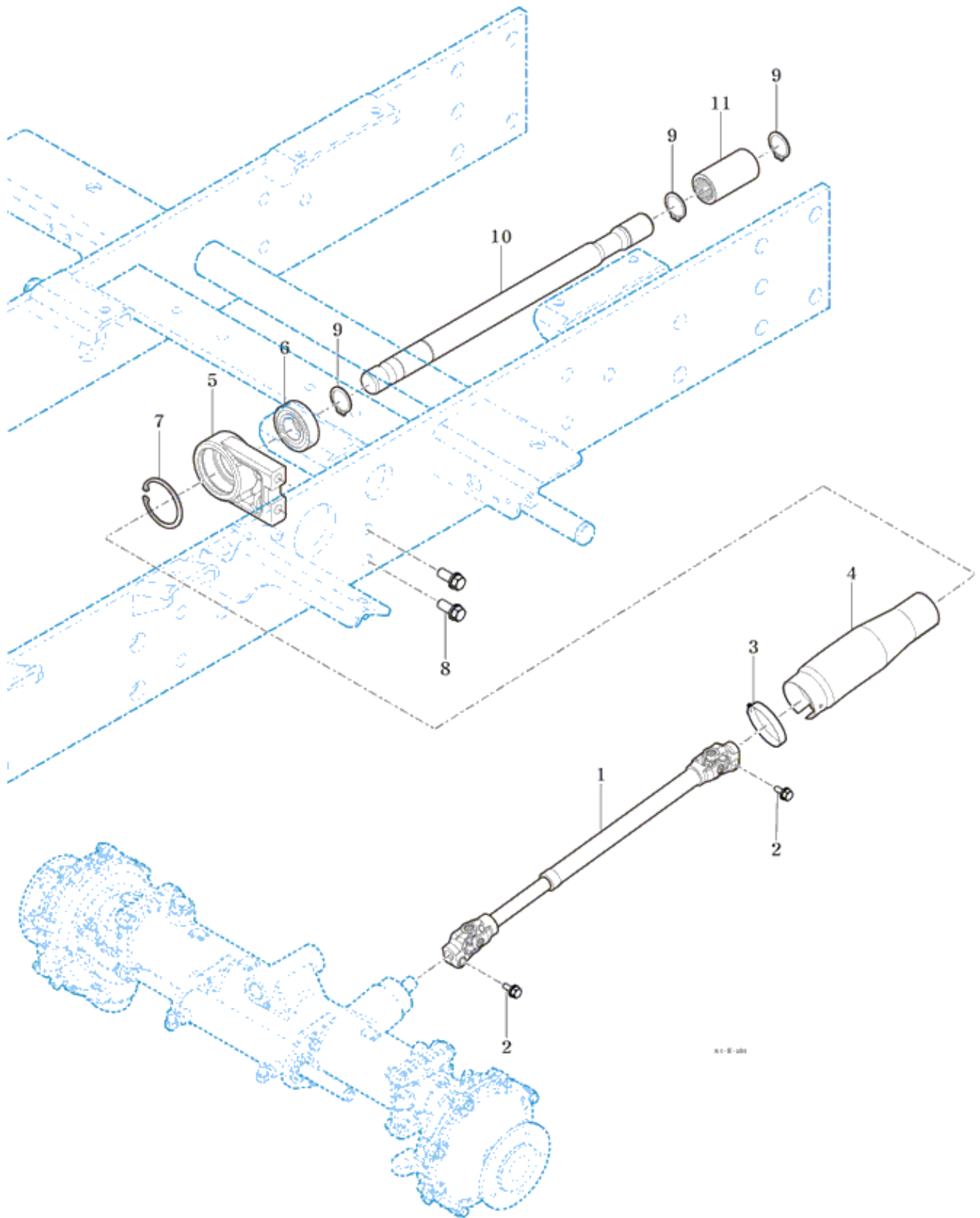
FIG

FRONT DRIVE SHAFT

년/월  
Year/Month

TS23NCEU

2020.08



NOTE

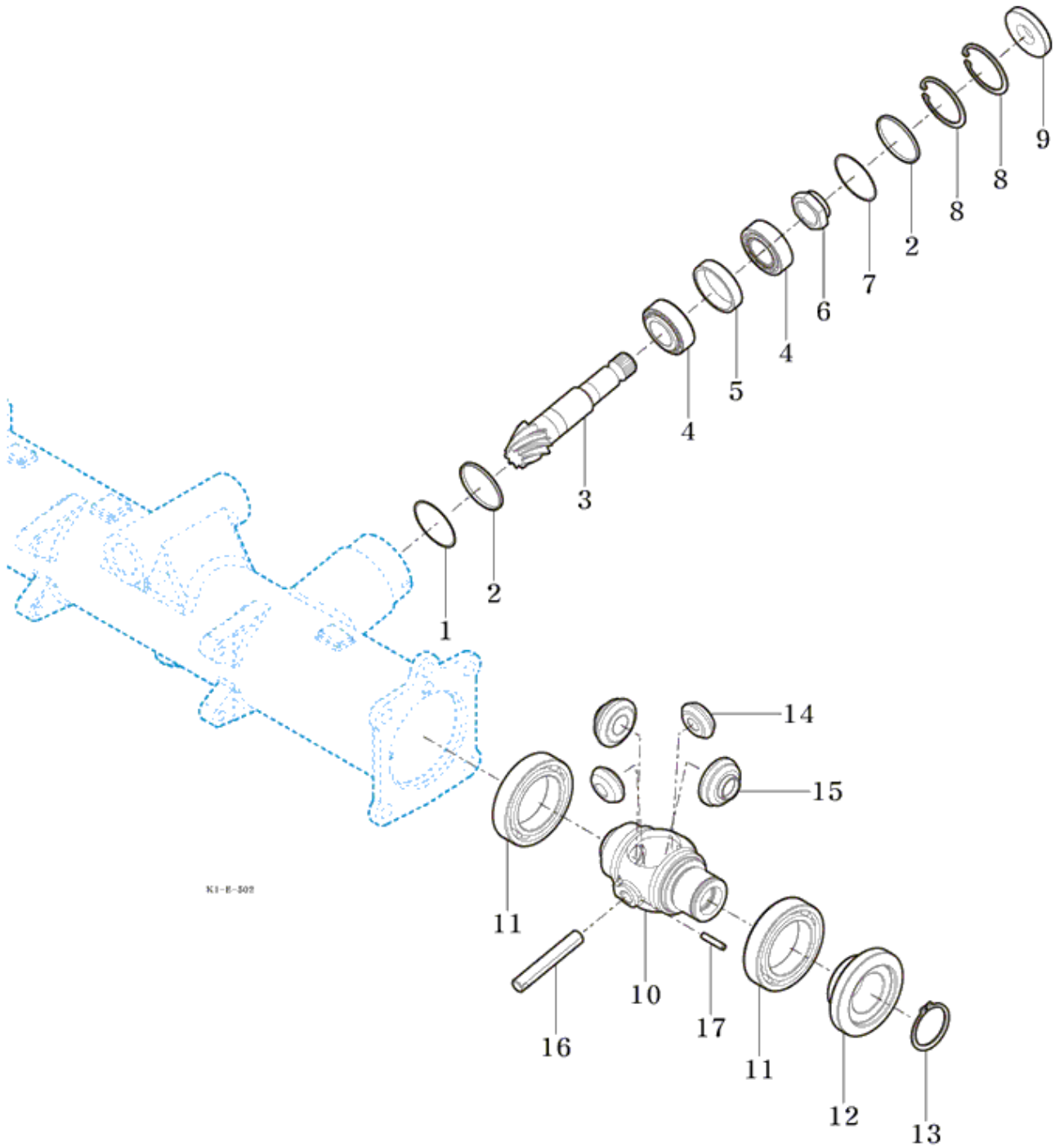
FIG

TS23NCEU

FRONT DIFFERENTIAL GEAR

년/월  
Year/Month

2020.08



K1-B-502

NOTE

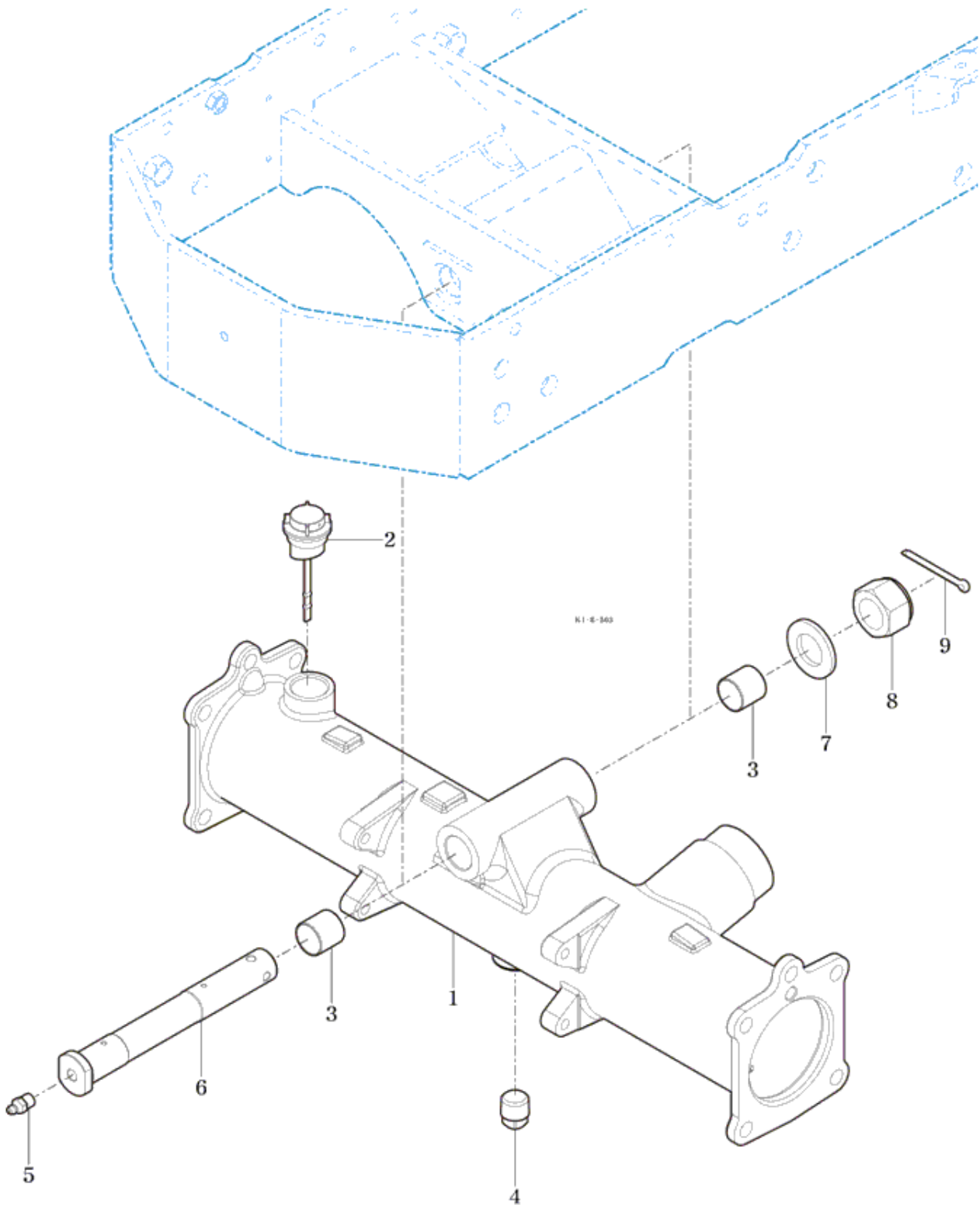
FIG

FRONT AXLE HOUSING

년/월  
Year/Month

TS23NCEU

2020.08



NOTE

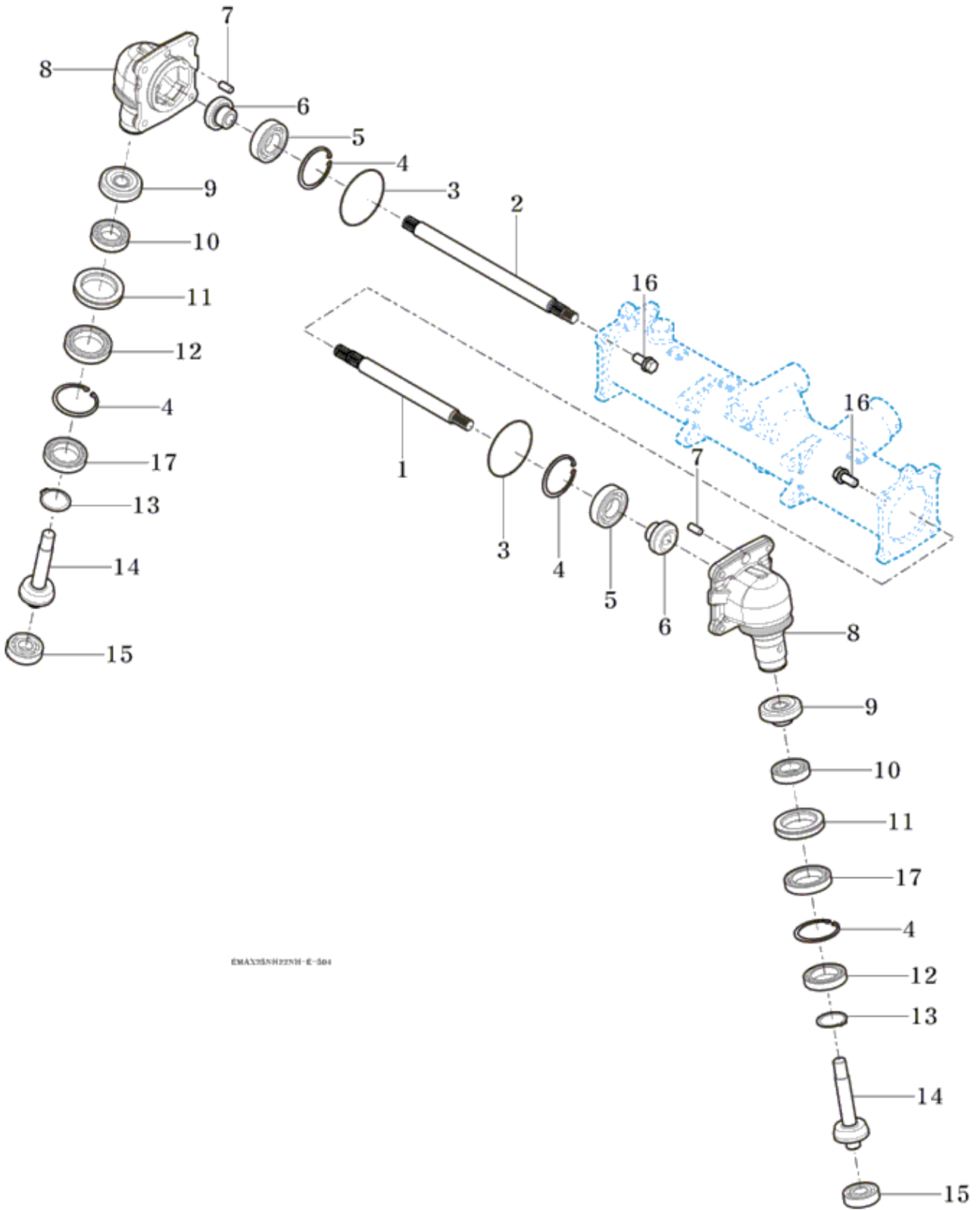
FIG

TS23NCEU

FRONT GEAR CASE (1)

년/월  
Year/Month

2020.08



EMAX23NH225H-E-504

NOTE

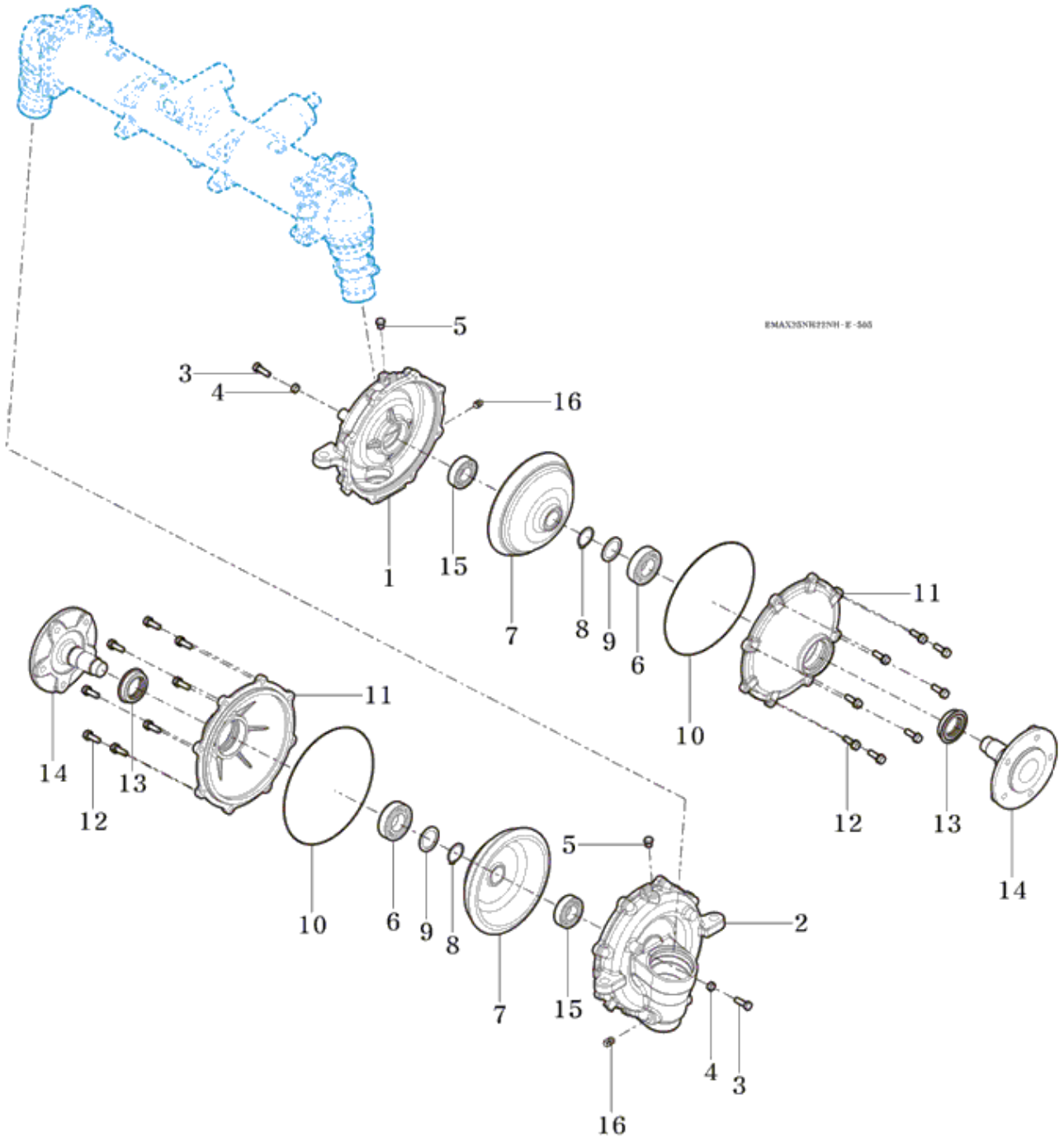
FIG

FRONT GEAR CASE (2)

년/월  
Year/Month

TS23NCEU

2020.08



NOTE

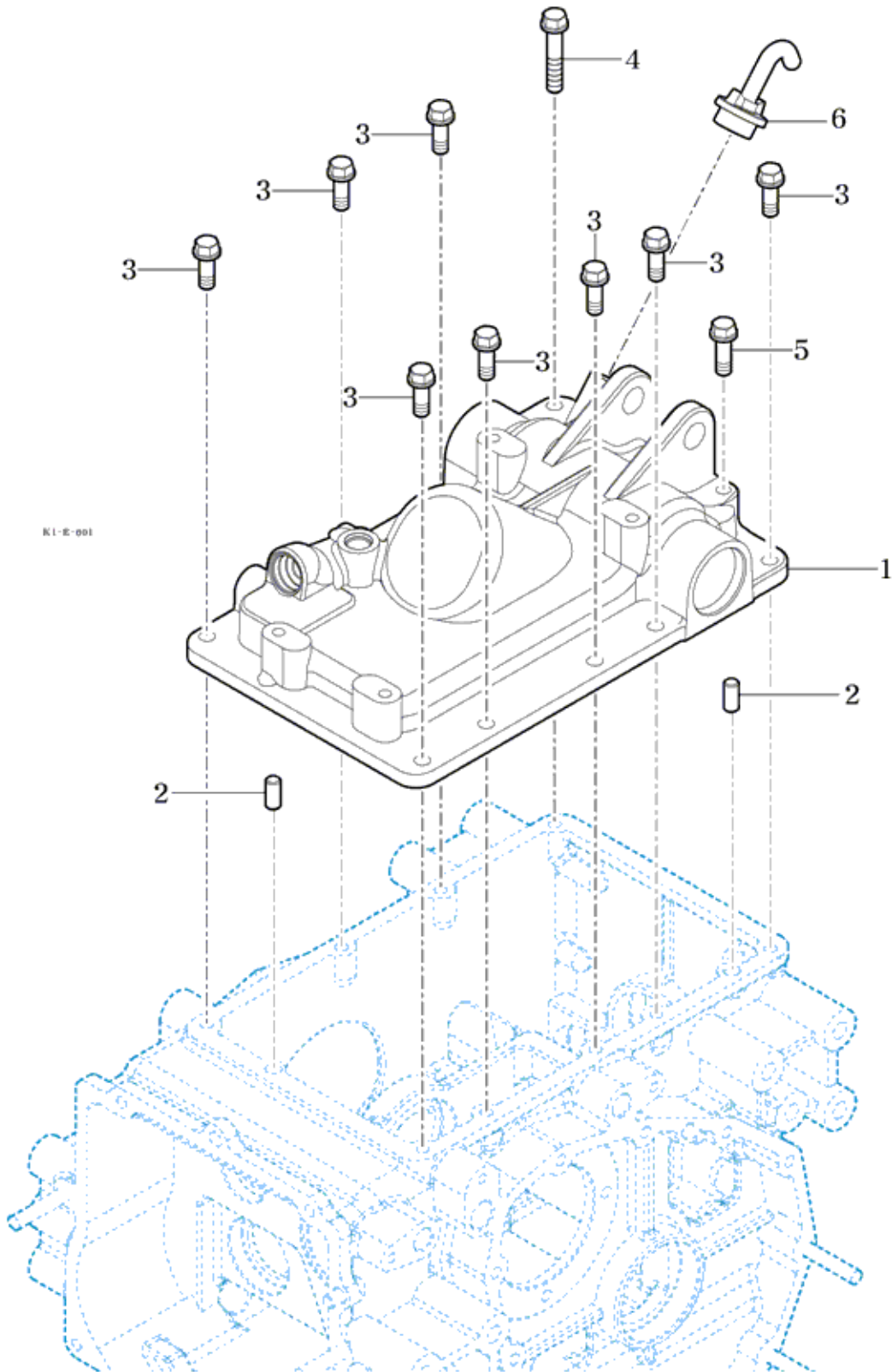
FIG

TS23NCEU

CYLINDER CASE

년/월  
Year/Month

2020.08



NOTE



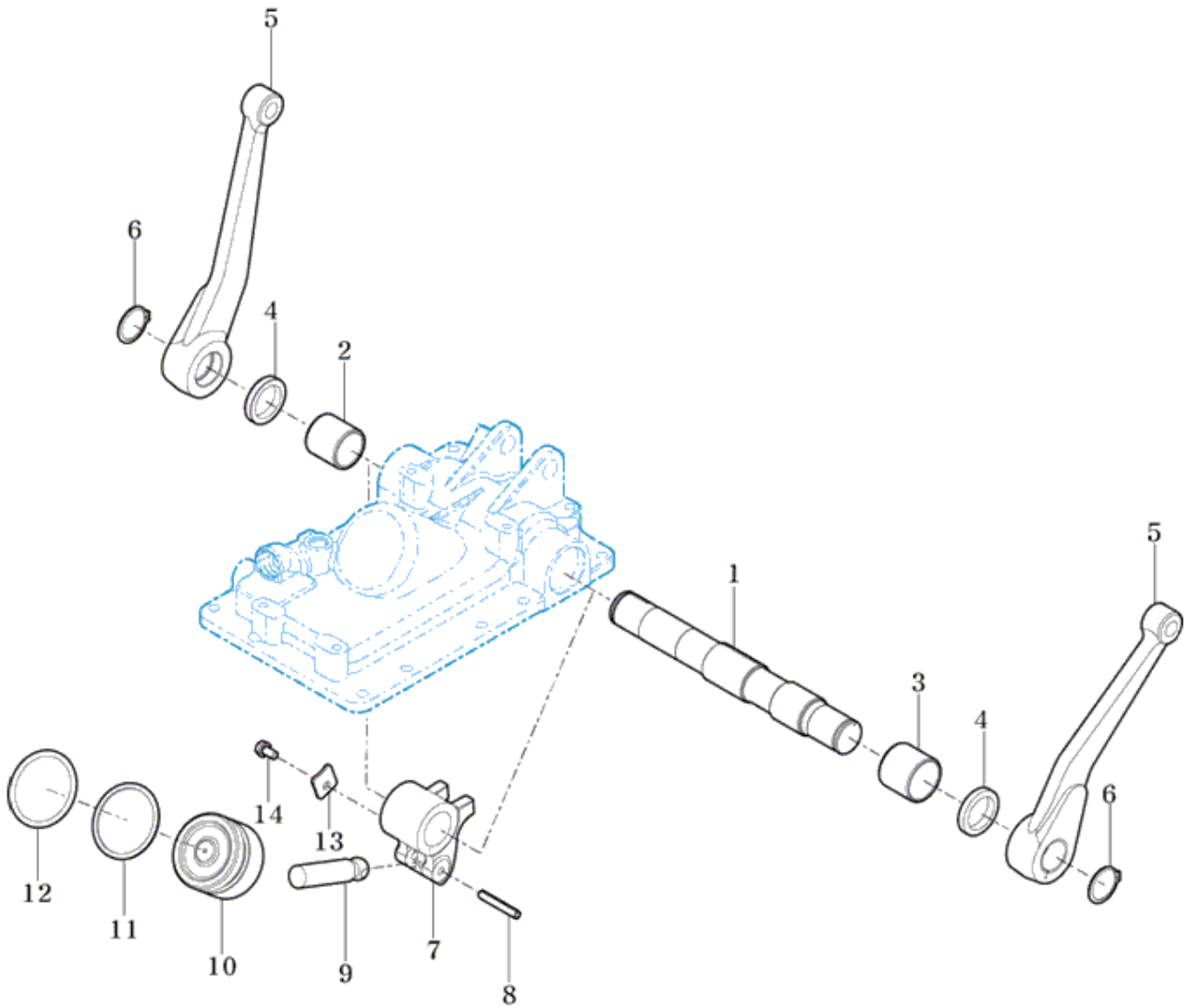
FIG

TS23NCEU

LIFT ARM

년/월  
Year/Month

2020.08



NOTE

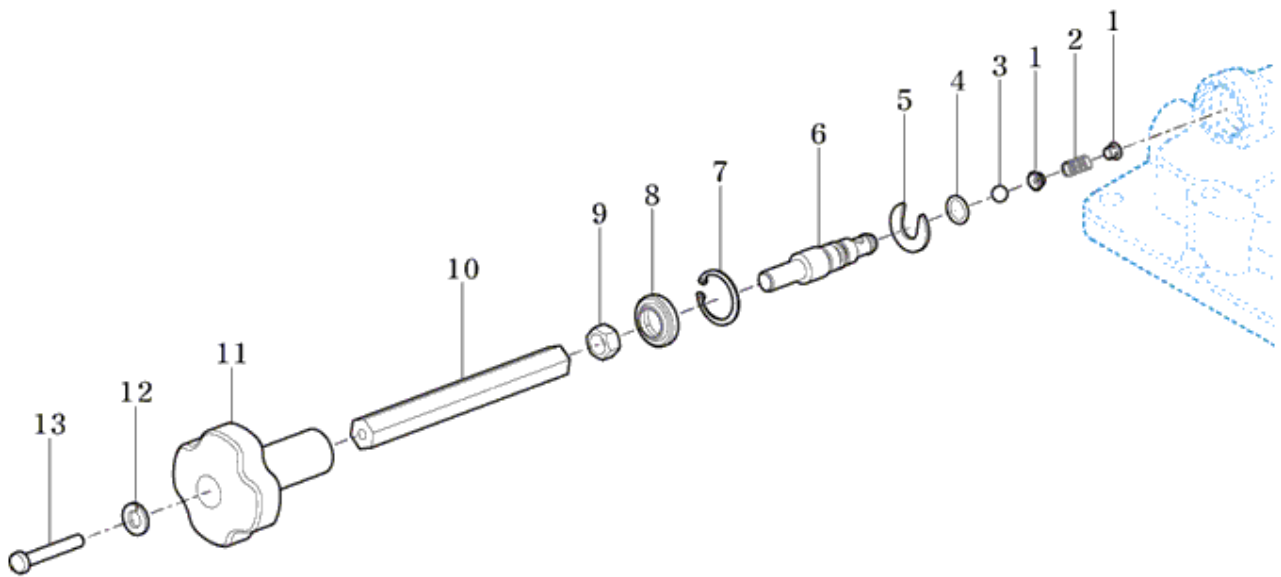
FIG

TS23NCEU

FLOW CONTROL VALVE

년/월  
Year/Month

2020.08



EMAX23G-E-603

NOTE