

T754SC

Parts Catalog

목 차

1. ENGINE PART NO. T754SC-C1

FIG 01 0512 4184, 0512 4259, 0512 4281, 0512 4051	7
FIG 02 0512 4368	9
FIG 05 0512 4036, 0512 4130, 0512 4238, 0512 4321	11
FIG 06 0512 4003	13
FIG 07 0512 4005	15
FIG 08 0512 4312, 0512 4050, 0512 4246	17
FIG 09 0512 4044, 0512 4320	19
FIG 10 0512 4284	21
FIG 11 0512 4004, 0512 4045, 0512 4046	23
FIG 14 0512 4027	25
FIG 15 0512 4120, 0506 4400, 0512 4000	27
FIG 16 0512 4261	29
FIG 17 0512 4052	31
FIG 19 0512 4047	33
FIG 20 0512 4224	35
FIG 21 0512 4009, 0512 4008, 0512 4299	37
FIG 22 0512 4345, 0512 4392	39
FIG 27 0511 8909	41
FIG 37 0512 4331	43
FIG 38 0512 4055	45
FIG 41 0512 4143, 0512 4058, 0512 4097, 0512 4257	47
FIG 43 0512 4384	49
FIG 44 0512 4062, 0512 4256, 0512 4393, 0512 4400	51
FIG 48-1 0511 7723, 0512 4011, 0512 4098, 0512 4127, 0512 4292	53
FIG 48-2 0512 4128, 0512 4293, 0512 4334, 0512 4338, 0512 4343	55
FIG 51 0512 4060, 0512 4104, 0512 4300, 0512 4329	57
FIG 63 0512 4010	59
FIG 83 0512 4176, 0512 4180, 0512 4251, 0512 4337, 0512 4339, 0512 4340, 0512 4344	61
FIG 90 0512 4355	63

2. ENGINE ACCESSORIES & CONTROL PART NO. T754SC-C2

FIG 201 AIR CLEANER	66
---------------------	----

FIG 202 RADIATOR	68
FIG 203 MUFFLER & EXHAUST PIPE	70
FIG 204 FUEL TANK	72
FIG 205 FUEL FILTER & FUEL PUMP	74
FIG 206 OIL COOLER	76

3. CLUTCH,BRAKE,STEERING PART NO. T754SC-C3

FIG 301 CLUTCH	79
FIG 302 CLUTCH PEDAL	81
FIG 303 BRAKE PEDAL & LINK	84
FIG 304 FRONT WHEEL	86
FIG 305 REAR WHEEL	88
FIG 306 POWER STEERING WHEEL	90
FIG 307 POWER STEERING VALVE	92
FIG 308 POWER STEERING CYLINDER	94
FIG 309 HAND BRAKE & BRAKE	96

4. TRANSMISSION & REAR AXLE PART NO. T754SC-C4

FIG 401 CASE , RR TRANSMISSION	99
FIG 402 SUB CHANGE GEARS	101
FIG 403 REAR DIFFERENTIAL GEARS	103
FIG 404 P.T.O CHANGE GEARS	105
FIG 405 P.T.O CHANGE SHIFTER	107
FIG 406 HOUSING , RR AXLE	109
FIG 407 P.T.O DRIVE SHAFT	111
FIG 408 CREEP CHANGE	113
FIG 409 INPUT & COUNTER GEARS	115
FIG 410 CHANGE GEARS	117
FIG 411 REVERSE GEARS	119
FIG 412 MAIN CHANGE LEVER	121
FIG 413 SUB CHANGE LEVER	123
FIG 414 TRANSMISSION MID CASE	125
FIG 415 SUB CHANGE SHIFTER	127
FIG 416 4WD CHANGE LEVER	129
FIG 417 TRANSMISSION FRONT CASE	131
FIG 418 DRIVE GEARS(US)	133

FIG 418-2 DRIVE GEARS(EU) 135

5. FRONT AXLE,SUPPORTER & DRIVE SHAFT PART NO. T754SC-C5

FIG 501 FRONT AXLE SUPPORT 138
FIG 502 FRONT DRIVE SHAFT 140
FIG 503 FRONT AXLE HOUSING 142
FIG 504 FRONT DIFFERENTIAL GEAR 144
FIG 505 FRONT GEAR CASE (1) 146
FIG 506 FRONT GEAR CASE (2) 148
FIG 507 FRONT GEAR CASE (3) 150

6. HYDRAULICS & 3-POINT LINK PART NO. T754SC-C6

FIG 601 CYLINDER CASE 153
FIG 602 LIFT ARM 155
FIG 602-2 LIFT ARM (EUA) 157
FIG 603 CYLINDER 159
FIG 604 POSITION LINK 161
FIG 605 CONTROL VALVE 163
FIG 606 DRAFT LINK 165
FIG 607 POSITION & DRAFT LEVER 167
FIG 608 EXTERIOR HYD. VALVE 170
FIG 608-2 EXTERIOR HYD. VALVE (EUA) 172
FIG 609 HYDRAULIC PIPE 174
FIG 610 JOYSTICK 176
FIG 611 HITCH & 3-POINT LINK 178
FIG 611-2 HITCH & 3-POINT LINK(EU,EUA) 181
FIG 612 LOWER LINK & LIFT ROD 184
FIG 613 HYDRAULIC HOSE 186

7. SHEET METAL & CABIN PART NO. T754SC-C7

FIG 701 HOOD 189
FIG 702 FRONT FRAME 191
FIG 703 SIDE SUPPORT & FRAME HOOD 193
FIG 704 LEVER COVER & STEP 196
FIG 705 FRONT & REAR MOUNTING 198

FIG 706 SEAT & MAT	200
FIG 709 DOOR	202
FIG 710 FRONT GLASS	205
FIG 711 SIDE GLASS	207
FIG 712 REAR GLASS	209
FIG 713 SUB FENDER & COVER	211
FIG 714 MIRROR	213
FIG 715 HEATER & AIR-CON	215
FIG 715-2 HEATER & AIR-CON	217
FIG 716 FENDER COVER	219
FIG 717 ROOF	221
FIG 718 CABIN INTERIOR	223

8. ELECTRICALS & HARNESS PART NO. T754SC-C8

FIG 801 BATTERY & MOUNTING	226
FIG 802 HARNESS	228
FIG 803 LIGHT & BACK LAMP	230
FIG 804 INSTRUMENT PANEL	232
FIG 805 ELECTRIC SYSTEM (1)	234
FIG 806 ELECTRIC SYSTEM (2)	236

9. WEIGHT,LABEL,TOOLS PART NO. T754SC-C9

FIG 901 TOOL & ACCESSORY	239
FIG 902 WEIGHT	241
FIG 903 LABEL	243
FIG 903-2 LABEL	246

1. ENGINE PART NO. T754SC-C1

FIG 01 0512 4184, 0512 4259, 0512 4281, 0512 4051	7
FIG 02 0512 4368	9
FIG 05 0512 4036, 0512 4130, 0512 4238, 0512 4321	11
FIG 06 0512 4003	13
FIG 07 0512 4005	15
FIG 08 0512 4312, 0512 4050, 0512 4246	17
FIG 09 0512 4044, 0512 4320	19
FIG 10 0512 4284	21
FIG 11 0512 4004, 0512 4045, 0512 4046	23
FIG 14 0512 4027	25
FIG 15 0512 4120, 0506 4400, 0512 4000	27
FIG 16 0512 4261	29
FIG 17 0512 4052	31
FIG 19 0512 4047	33
FIG 20 0512 4224	35
FIG 21 0512 4009, 0512 4008, 0512 4299	37
FIG 22 0512 4345, 0512 4392	39
FIG 27 0511 8909	41
FIG 37 0512 4331	43
FIG 38 0512 4055	45
FIG 41 0512 4143, 0512 4058, 0512 4097, 0512 4257	47
FIG 43 0512 4384	49
FIG 44 0512 4062, 0512 4256, 0512 4393, 0512 4400	51
FIG 48-1 0511 7723, 0512 4011, 0512 4098, 0512 4127, 0512 4292	53
FIG 48-2 0512 4128, 0512 4293, 0512 4334, 0512 4338, 0512 4343	55
FIG 51 0512 4060, 0512 4104, 0512 4300, 0512 4329	57
FIG 63 0512 4010	59
FIG 83 0512 4176, 0512 4180, 0512 4251, 0512 4337, 0512 4339, 0512 4340, 0512 4344,	61
FIG 90 0512 4355	63

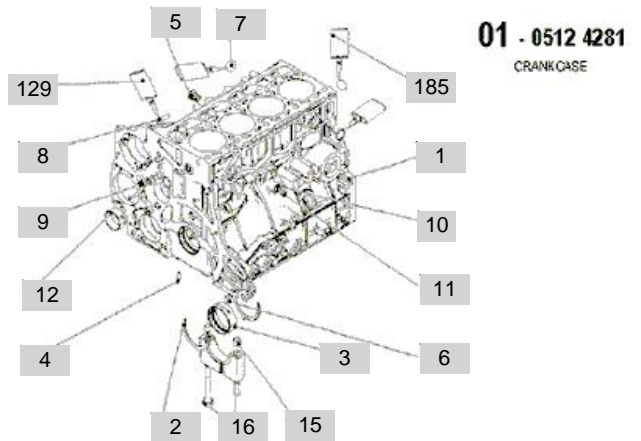
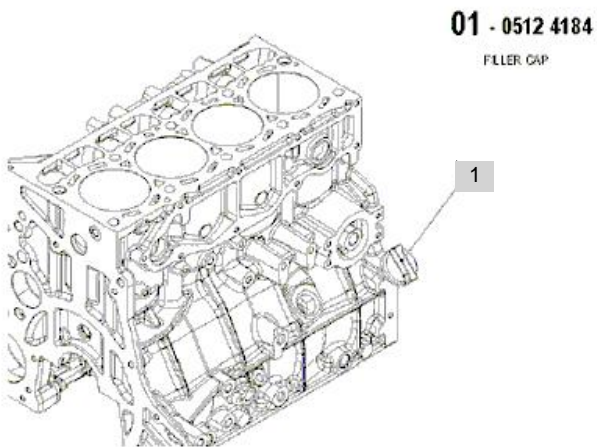
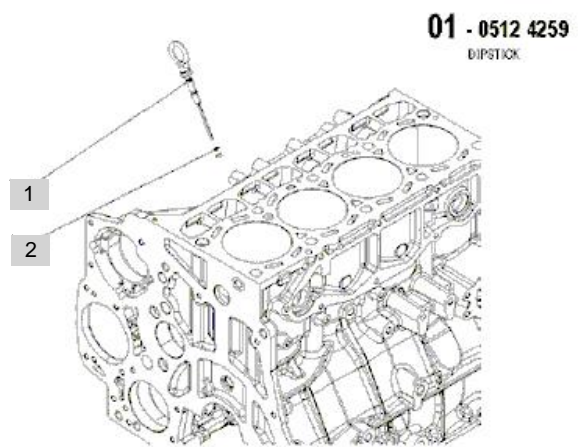
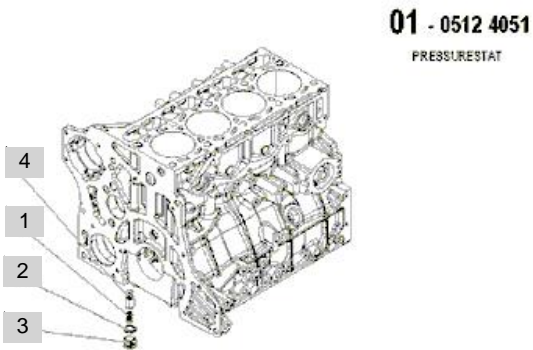
FIG 01

T754SC

0512 4184, 0512 4259, 0512 4281, 0512 4051

년/월
Year/Month

2020.07



NOTE

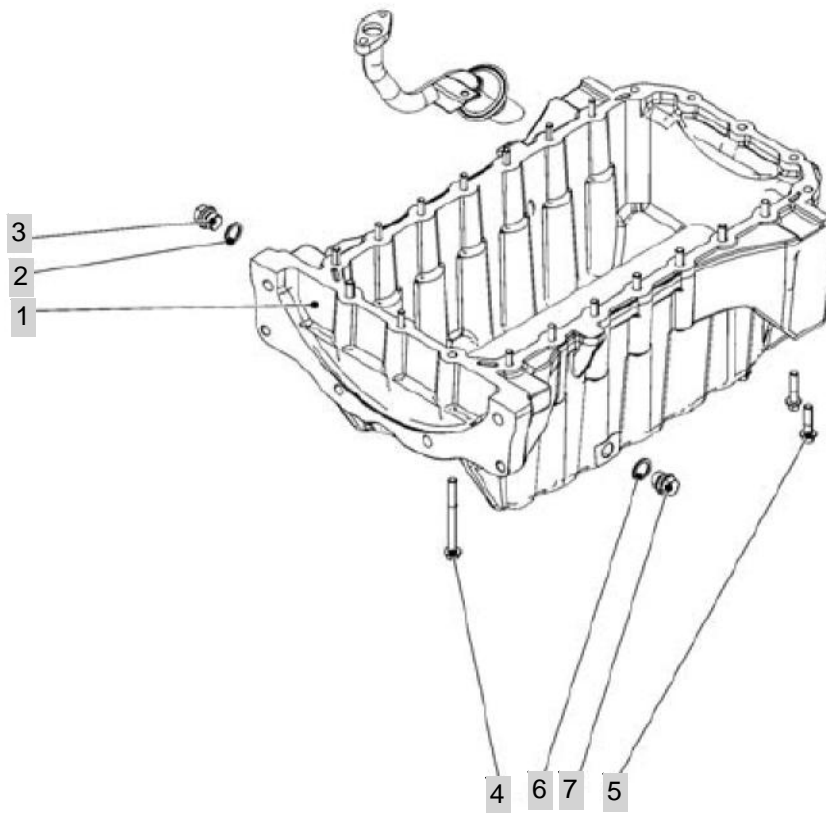
FIG 02

0512 4368

년/월
Year/Month

T754SC

2020.07



02 - 0512 4368

OIL PAN

NOTE

FIG 05

T754SC

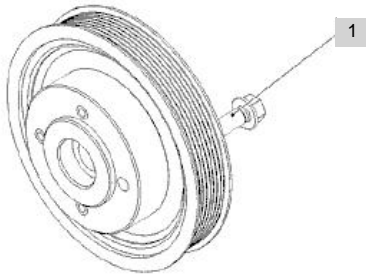
0512 4036, 0512 4130, 0512 4238, 0512 4321

년/월
Year/Month

2020.07

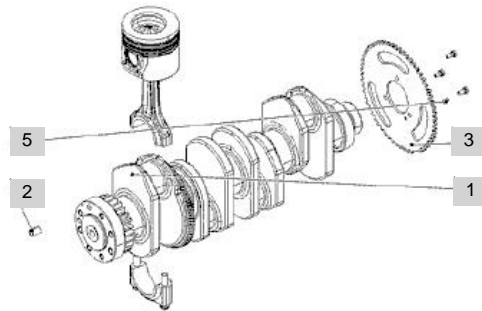
05 - 0512 4036

FASTENINGS



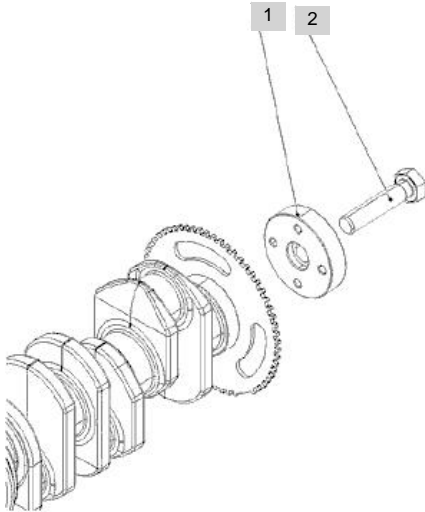
05 - 0512 4238

CRANKSHAFT



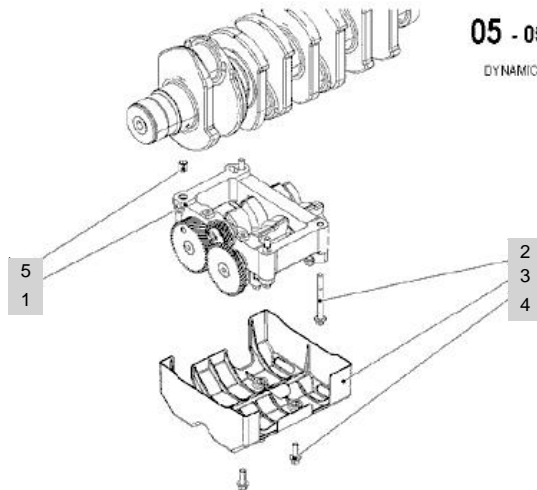
05 - 0512 4130

CRANKSHAFT ACCESS.



05 - 0512 4321

DYNAMIC BALANCER



NOTE

FIG 06

T754SC

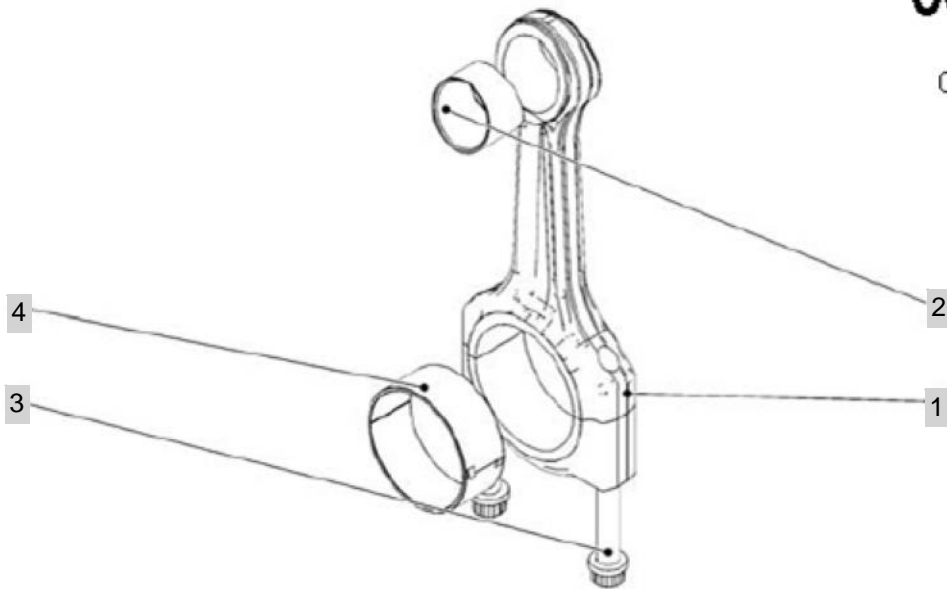
0512 4003

년/월
Year/Month

2020.07

06 - 0512 4003

CONNECTING ROD



NOTE

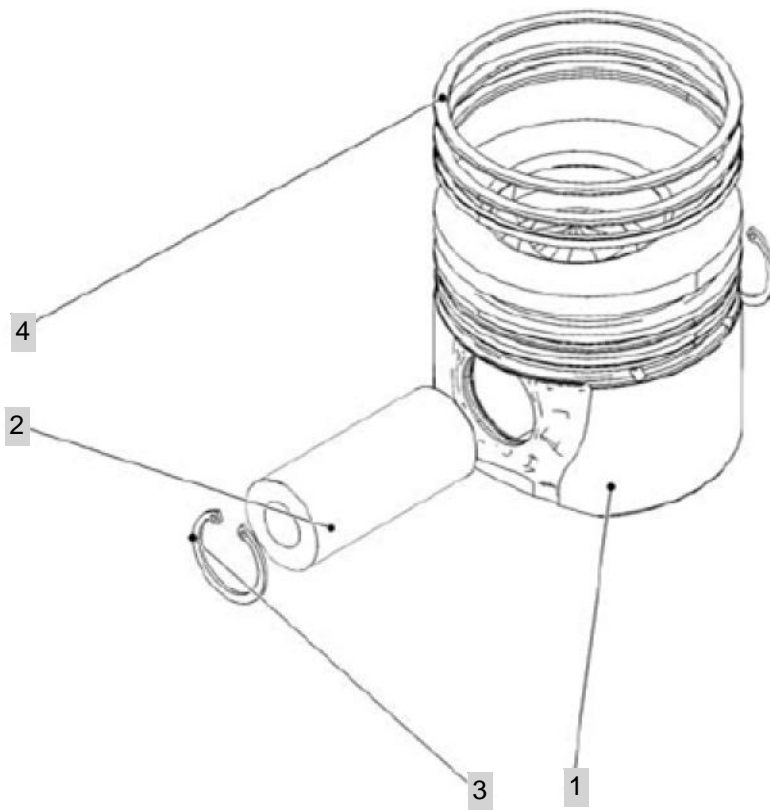
FIG 07

T754SC

0512 4005

년/월
Year/Month

2020.07



07 - 0512 4005

PISTON

NOTE

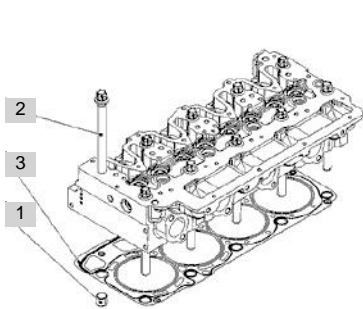
FIG 08

T754SC

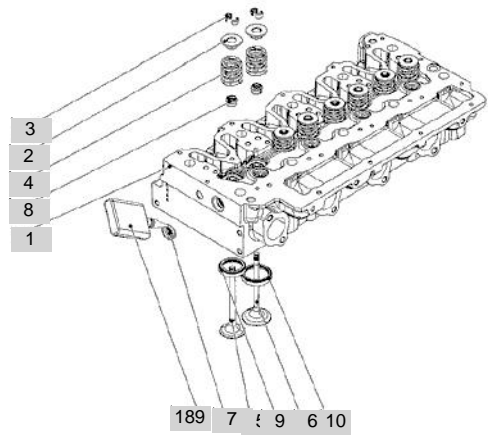
0512 4312, 0512 4050, 0512 4246

년/월
Year/Month

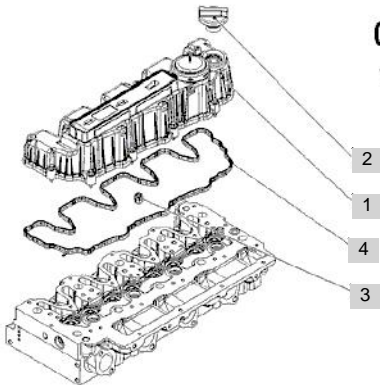
2020.07



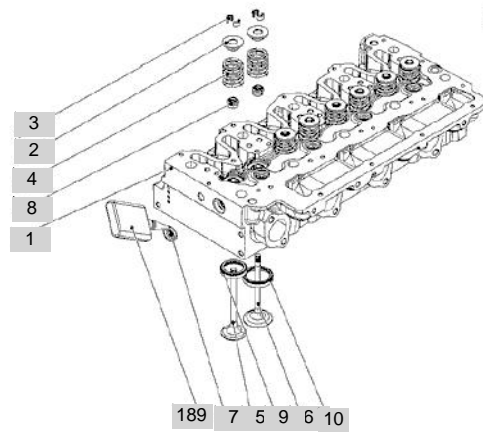
08 - 0512 4050
FASTENINGS



08 - 0512 4312
CYLINDER HEAD



08 - 0512 4246
VALVE MECHAN COVER



08 - 0512 4312
CYLINDER HEAD

NOTE

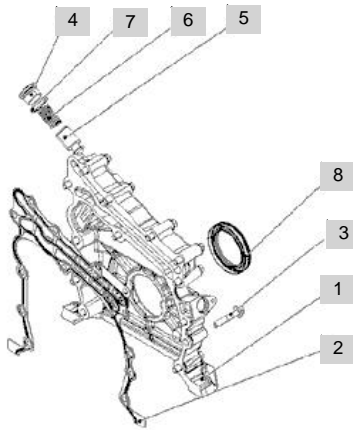
FIG 09

T754SC

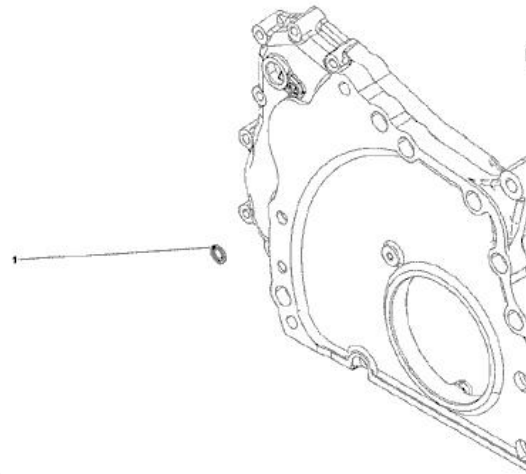
0512 4044, 0512 4320

년/월
Year/Month

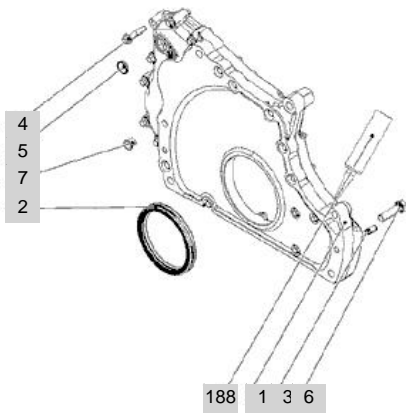
2020.07



09 - 0512 4044
FRONT COVER



09 - 0512 4406
SEALING RING



09 - 0512 4320
GEARCASE

NOTE

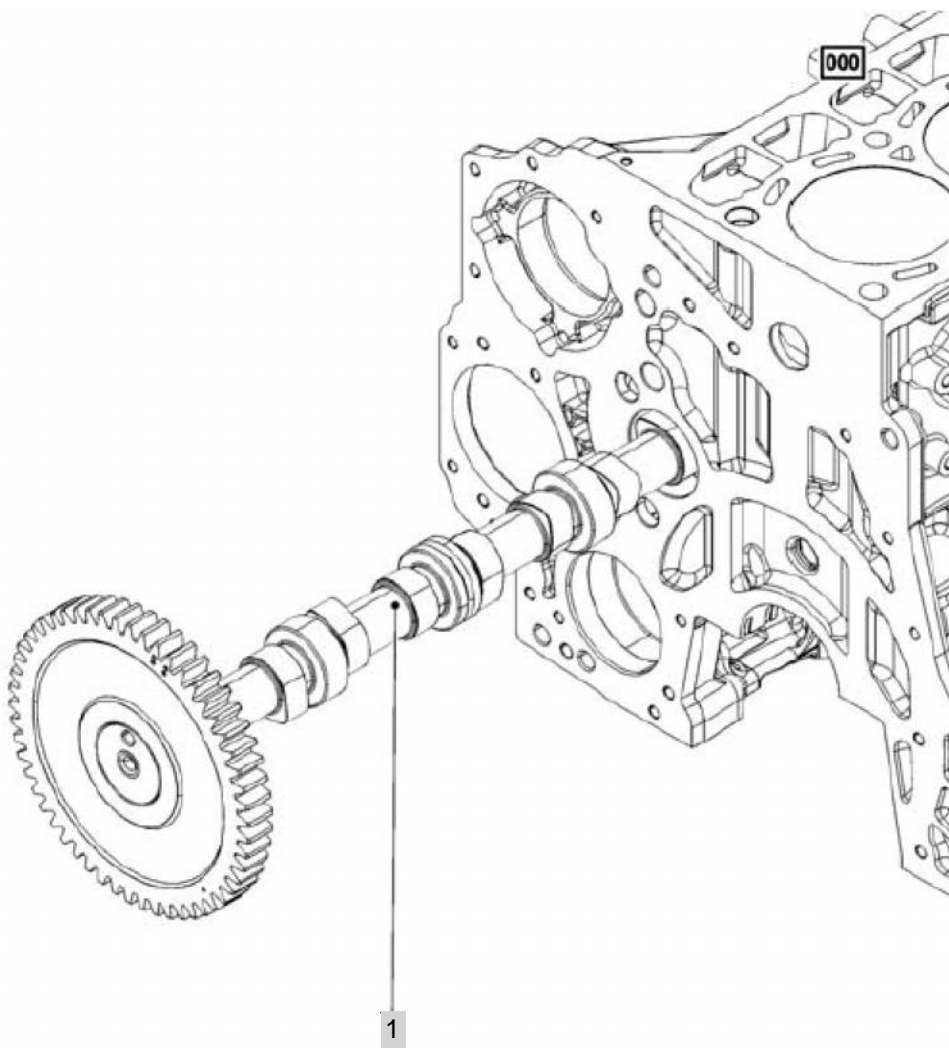
FIG 10

T754SC

0512 4284

년/월
Year/Month

2020.07



10 - 0512 4284

CAMSHAFT

NOTE

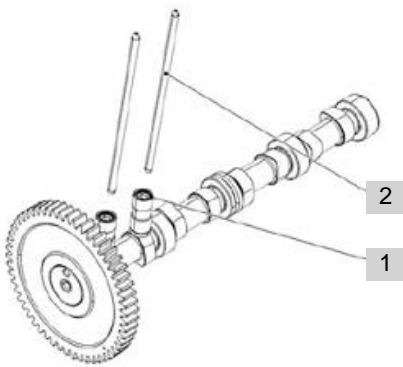
FIG 11

T754SC

0512 4004, 0512 4045, 0512 4046

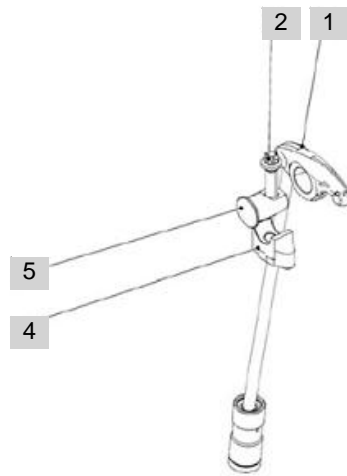
년/월
Year/Month

2020.07



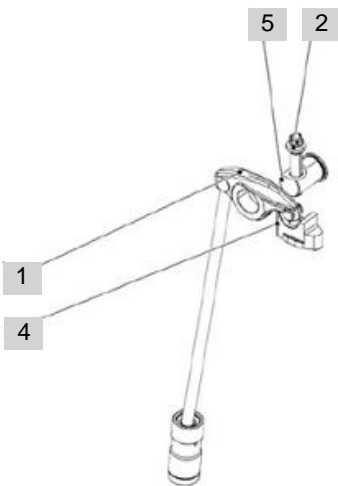
11 - 0512 4004

VALVE DRIVE



11 - 0512 4046

ROCKER ARM INLET



11 - 0512 4045

ROCKER ARM OUTLET

NOTE

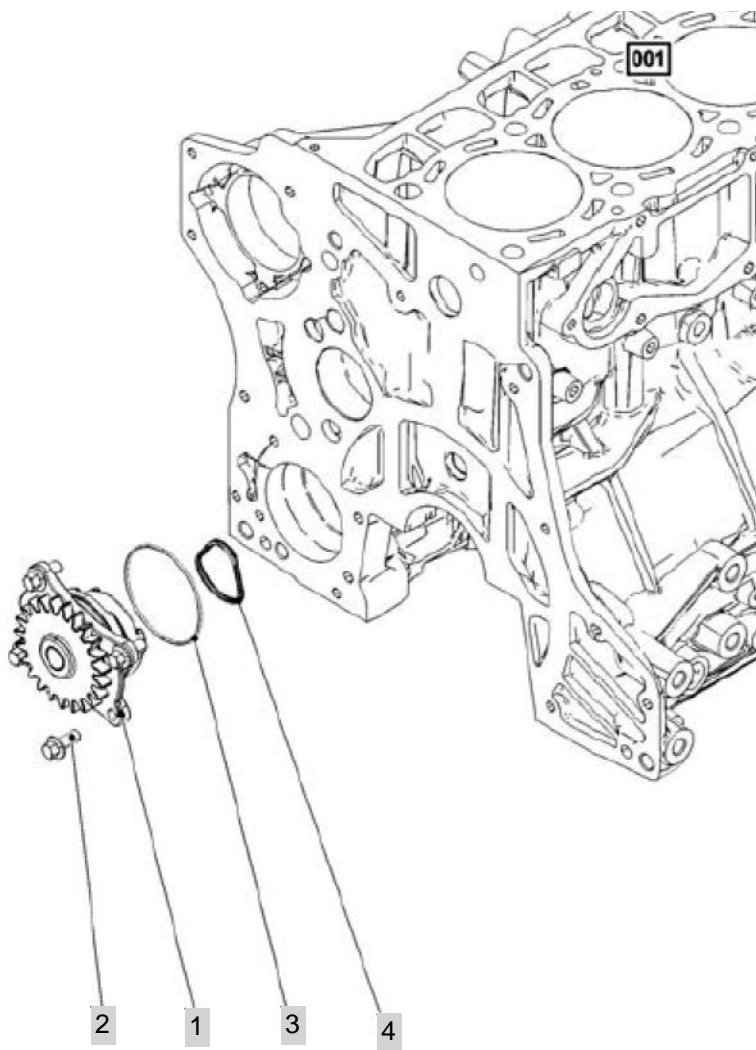
FIG 14

0512 4027

년/월
Year/Month

2020.07

T754SC



14 - 0512 4027

LUBRICAT. OIL PUMP

NOTE

FIG 14

T754SC

0512 4027

년/월
Year/Month

2020.07

KEY NO		PART NO	DESCRIPTION	SPEC	QTY	REPAIR	EFFECTIVE DATE	REMARKS
14	1	0413 3006	LUBRICAT.OIL PUMP		1			MIT POS... WITH ITEM 20 Nm
14	2	0118 1433	HEXAGON BOLT		4			
14	3	0134 0670	O-SEAL		1			
14	4	0134 0671	GASKET		1			
NOTE								

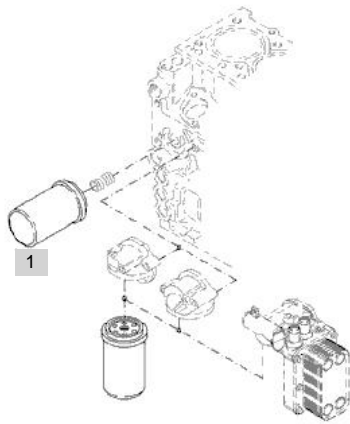
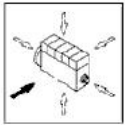
FIG 15

T754SC

0512 4120, 0506 4400, 0512 4000

년/월
Year/Month

2020.07

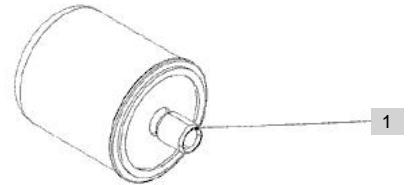


15 - 0506 4400

LUBRIC. OIL FILTER

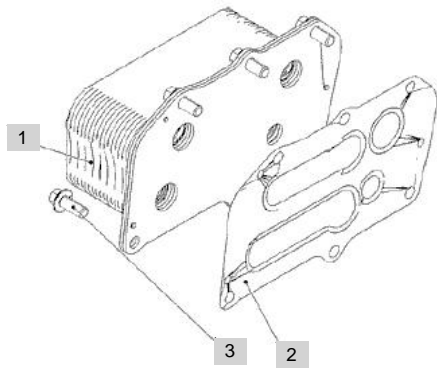
15 - 0512 4120

OIL FILTER ASSY



15 - 0512 4000

OIL COOLER



NOTE

FIG 16

T754SC

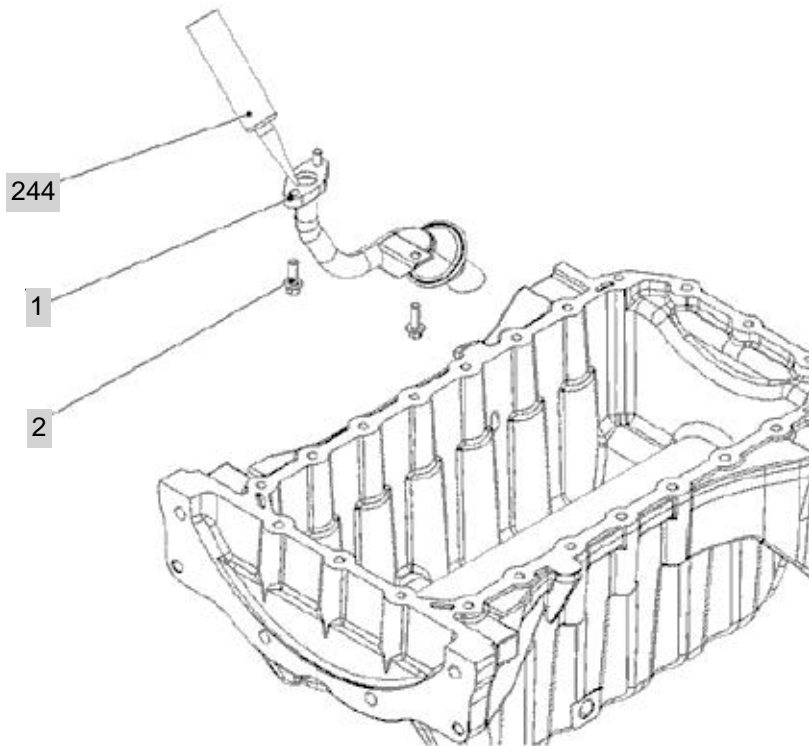
0512 4261

년/월
Year/Month

2020.07

16 - 0512 4261

OIL SUCTION PIPE



NOTE

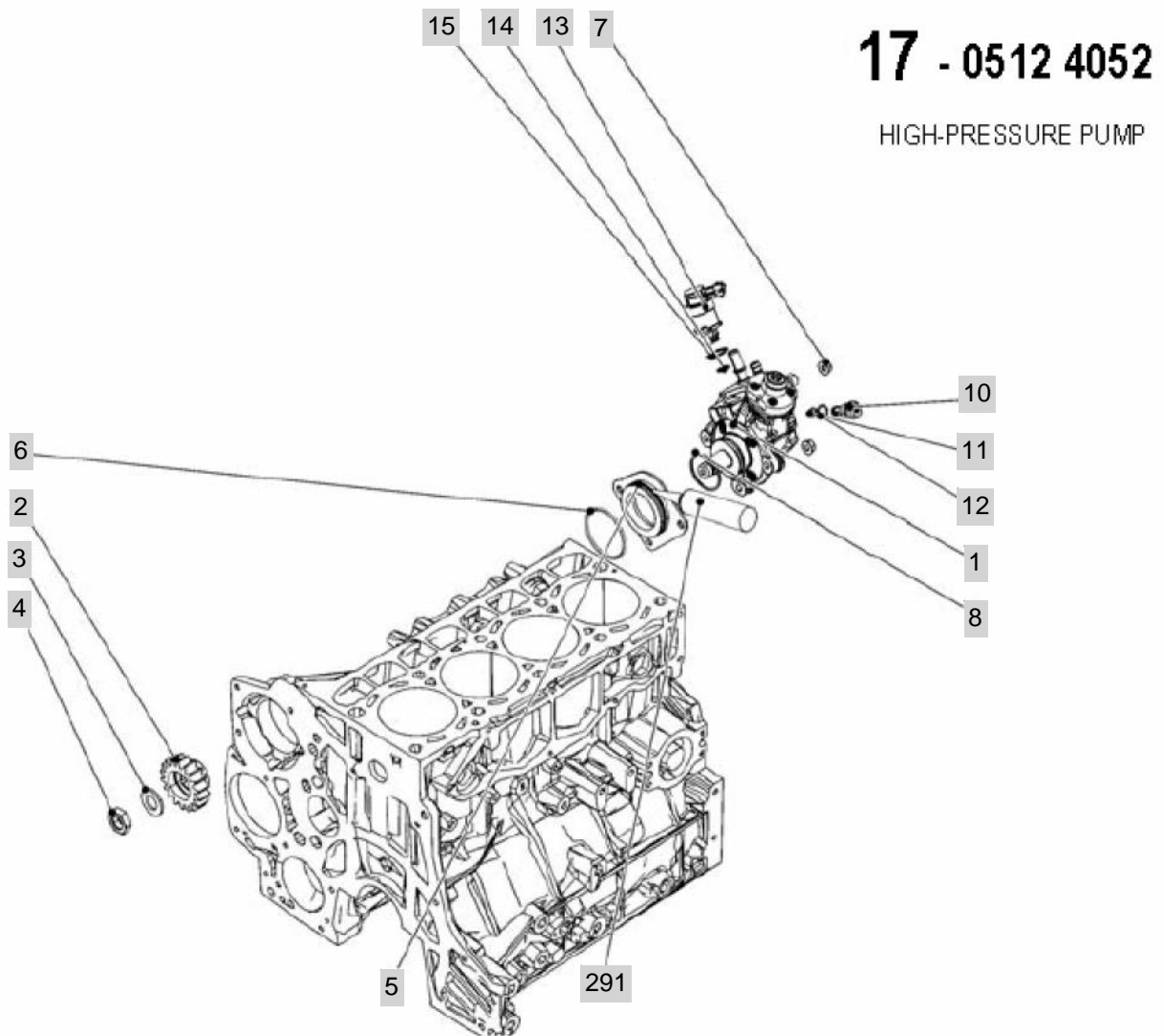
FIG 17

T754SC

0512 4052

년/월
Year/Month

2020.07



NOTE

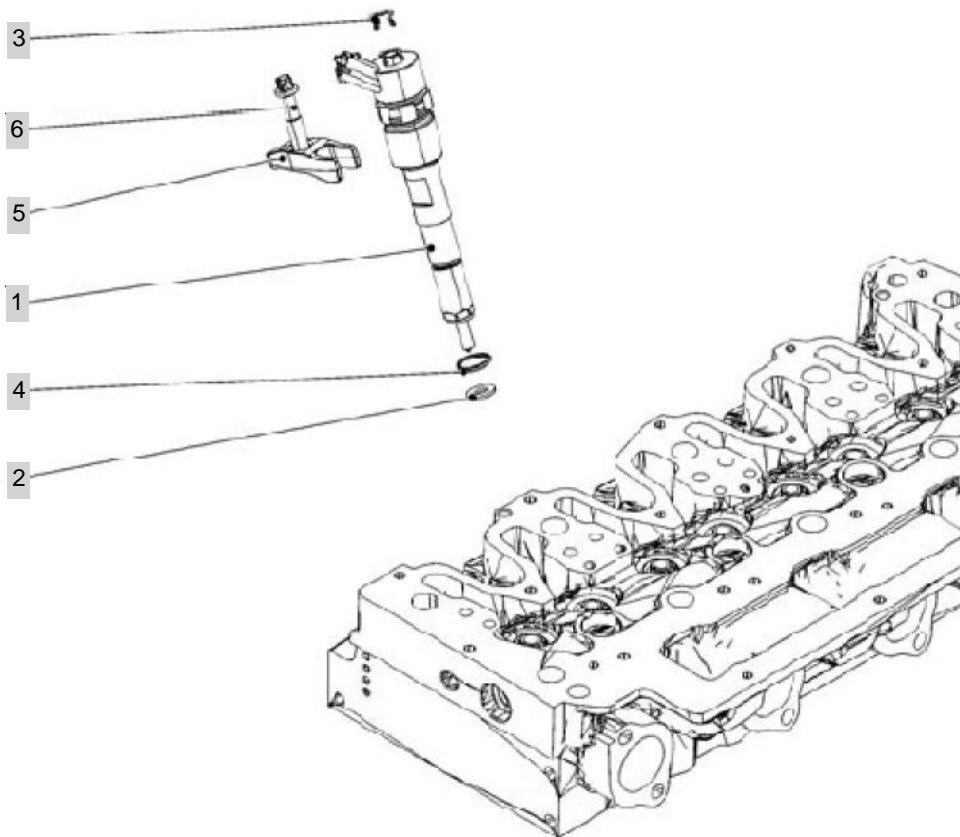
FIG 19

0512 4047

년/월
Year/Month

2020.07

T754SC



19 - 0512 4047

FUEL INJECTOR

NOTE

FIG 20

T754SC

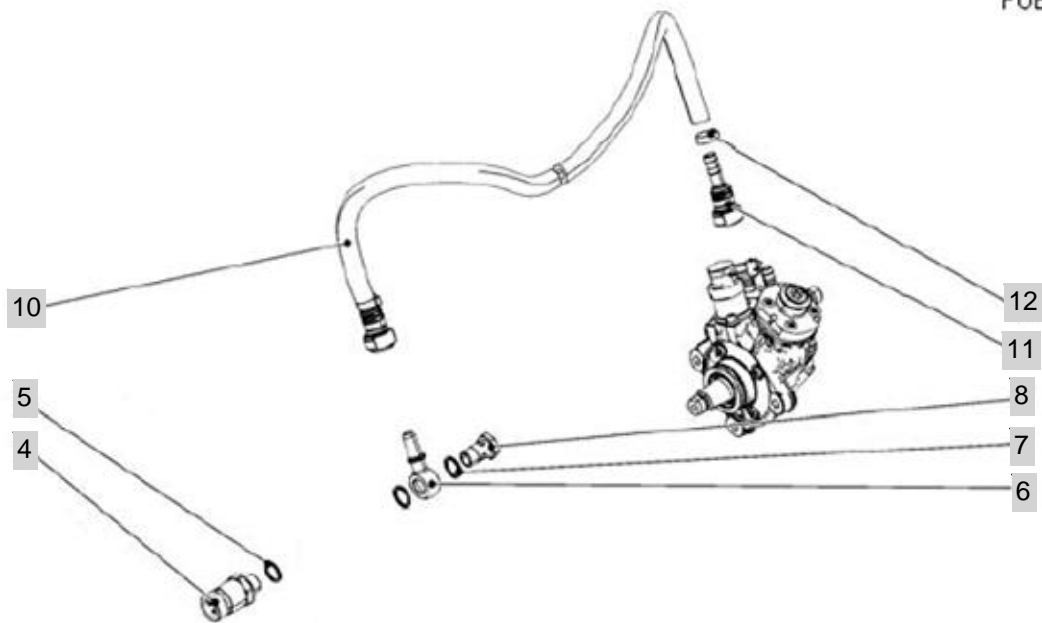
0512 4224

년/월
Year/Month

2020.07

20 - 0512 4224

FUEL FILTER



NOTE

FIG 20		0512 4224						년/월 Year/Month
T754SC								2020.07
KEY NO	PART NO	DESCRIPTION	SPEC	QTY	REPAIR	EFFECTIVE DATE	REMARKS	
20	01	0512 4224	0512 4224	0				
20	4	0421 3842	PRESSURE SENSOR	1				
20	5	0421 0381	O-SEAL	1				
20	6	0450 6003	SCHNELLKUPPLER	1				
20	7	0114 8838	SEALING RING	2				
20	8	0293 7883	HOLLOW SCREW	1			49 Nm	
20	10	0412 5595	HOSELINE	1			MIT POS.... WITH ITEM	
20	11	0118 3054	QUICK-CLUTCH/COUP	2				
20	12	0118 2678	HOSE CLIP	2				
NOTE								

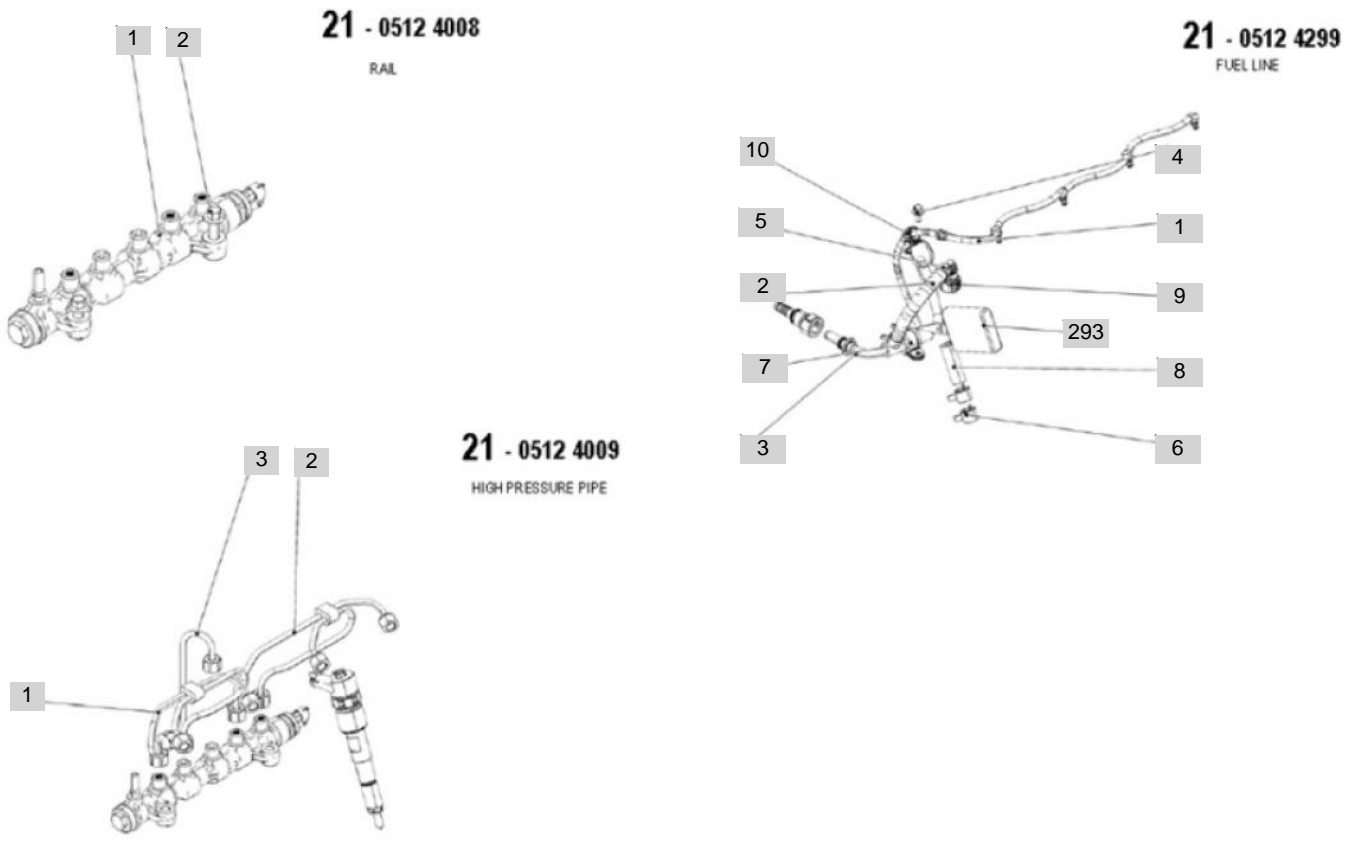
FIG 21

T754SC

0512 4009, 0512 4008, 0512 4299

년/월
Year/Month

2020.07



NOTE

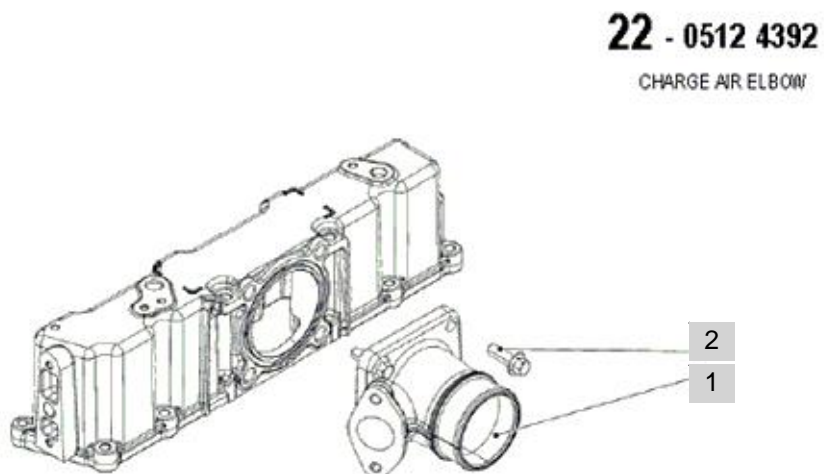
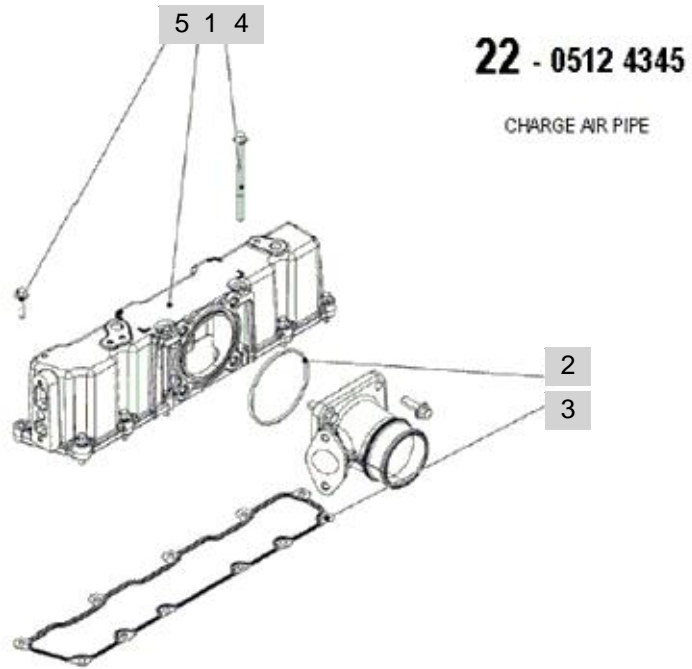
FIG 22

T754SC

0512 4345, 0512 4392

년/월
Year/Month

2020.07



NOTE

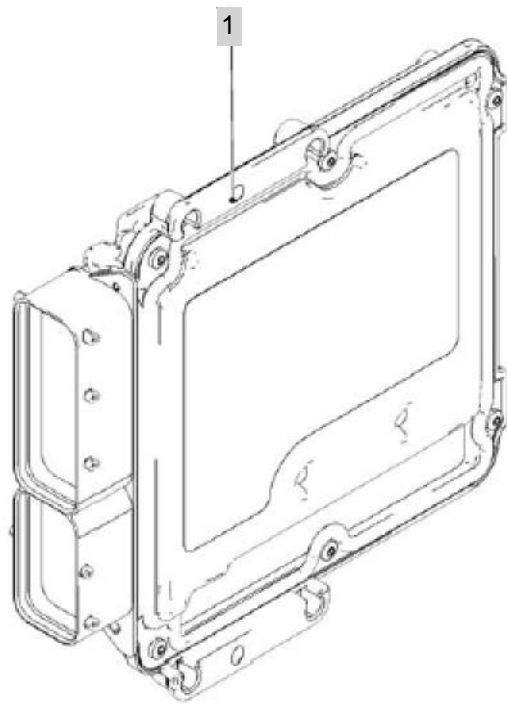
FIG 27

0511 8909

년/월
Year/Month

2020.07

T754SC



27 - 0511 8909

CONTROL UNIT

NOTE

FIG 27		0511 8909					년/월	
							Year/Month	
T754SC		2020.07						
KEY NO	PART NO	DESCRIPTION	SPEC	QTY	REPAIR	EFFECTIVE DATE	REMARKS	
27	1	0295 9610	CONTROL UNIT				Steuergerä	
27	950	0421 0653	CONTROL UNIT				t mit motors, Steuergerä	
							t ohne motor	
NOTE								

FIG 37

T754SC

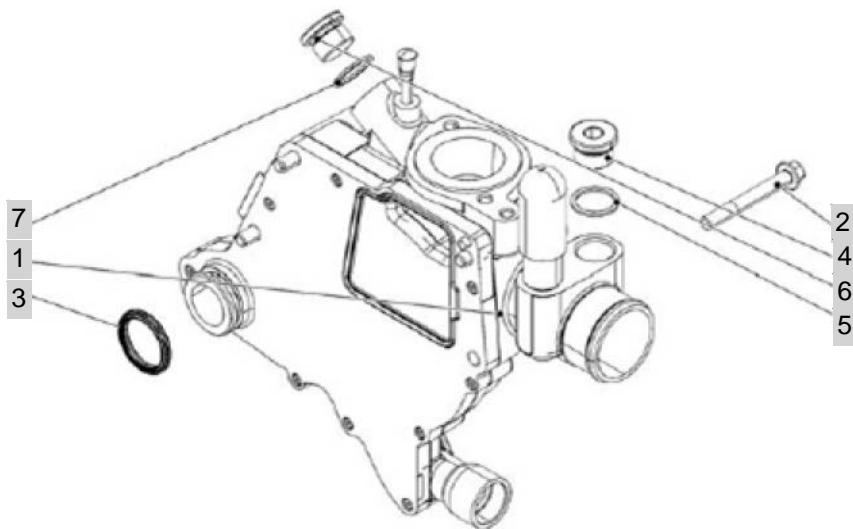
0512 4331

년/월
Year/Month

2020.07

37 - 0512 4331

COOLANT PUMP



NOTE

FIG 38

T754SC

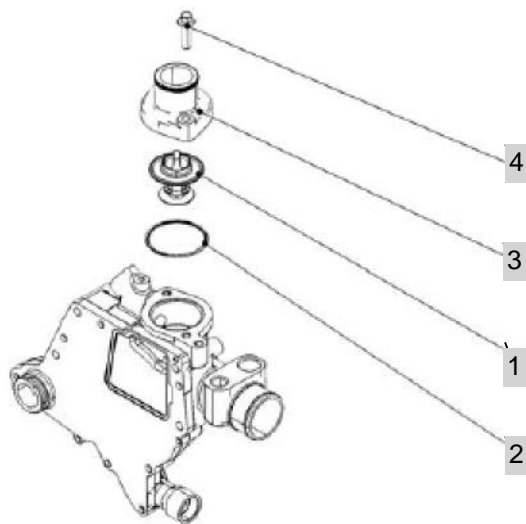
0512 4055

년/월
Year/Month

2020.07

38 - 0512 4055

THERMOSTAT



NOTE

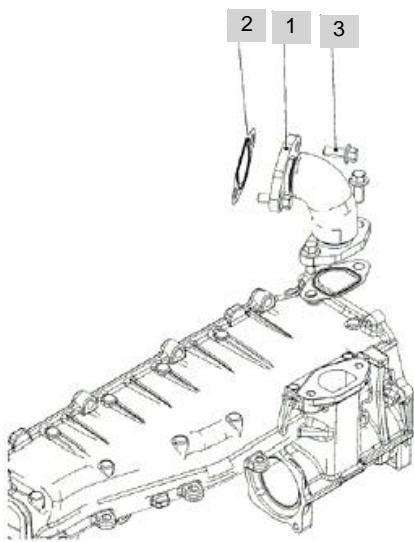
FIG 41

T754SC

0512 4143, 0512 4058, 0512 4097, 0512 4257

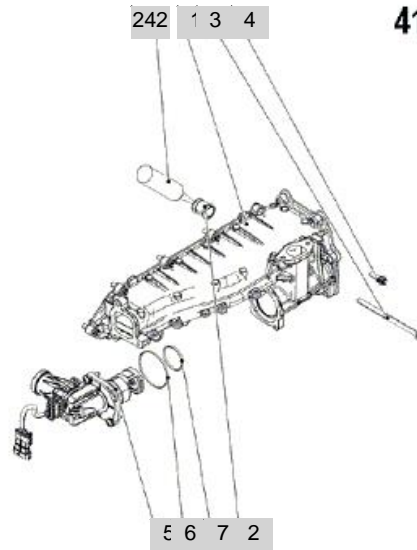
년/월
Year/Month

2020.07



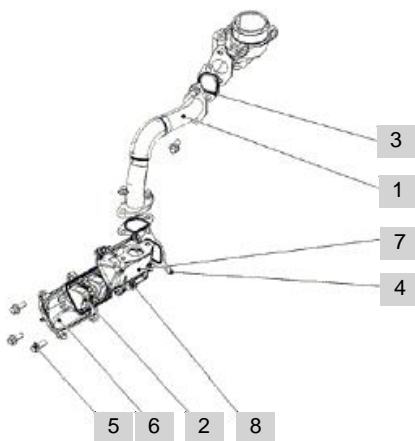
41 - 0512 4058

PIPELINE/LEAD



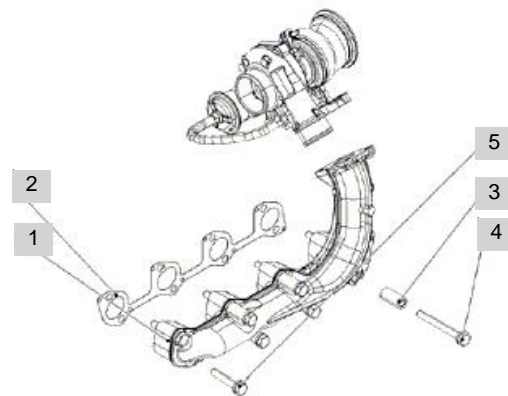
41 - 0512 4143

EGR-MODULE



41 - 0512 4097

PIPELINE/LEAD



41 - 0512 4257

EXHAUST MANIFOLD

NOTE

FIG 43

0512 4384

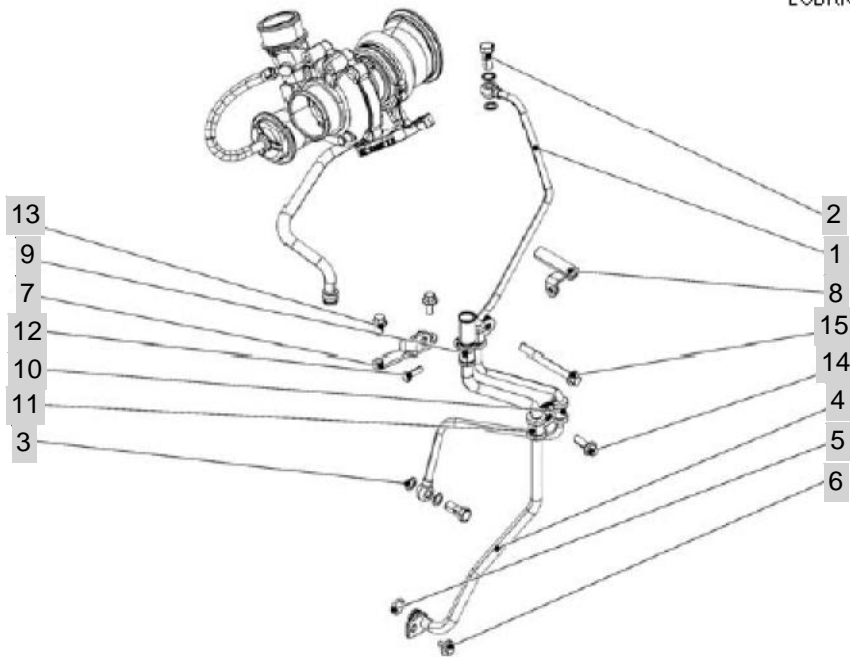
년/월
Year/Month

2020.07

T754SC

43 - 0512 4384

LUBRICAT. OIL LINE



NOTE

FIG 44

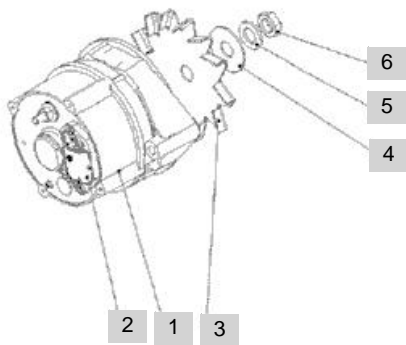
T754SC

0512 4062, 0512 4256, 0512 4393, 0512 4400

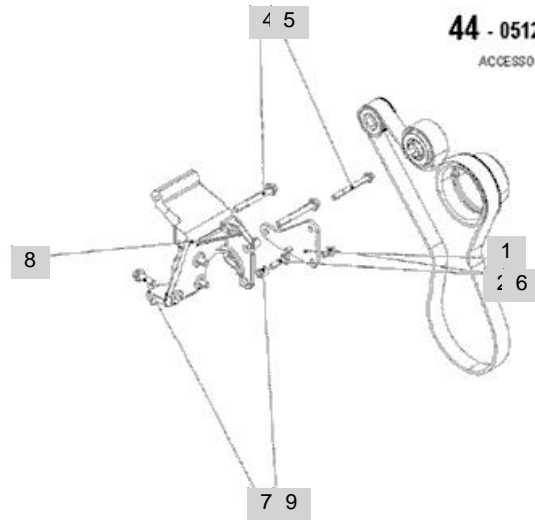
년/월
Year/Month

2020.07

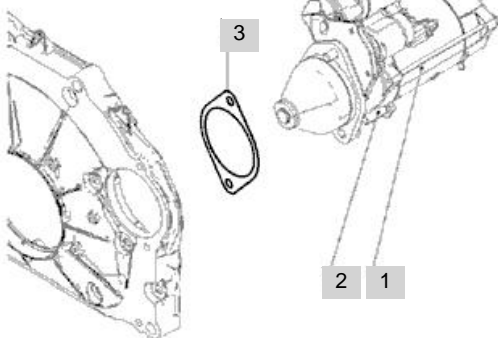
44 - 0512 4062
GENERATOR



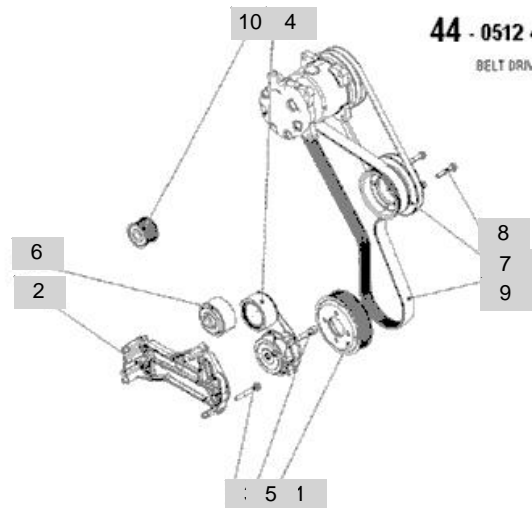
44 - 0512 4393
ACCESSORIES



44 - 0512 4256
STARTER



44 - 0512 4400
BELT DRIVE



NOTE

FIG 44 T754SC	0512 4062, 0512 4256, 0512 4393, 0512 4400	년/월 Year/Month
		2020.07

KEY NO	PART NO	DESCRIPTION	SPEC	QTY	REPAIR	EFFECTIVE DATE	REMARKS
44	1	0512 4062	0512 4062	0			
44	1	0412 4782	GENERATOR	1			MIT POS.... WITH ITEM
44	2	0412 3523	CONTROLLER	1			
44	3	0118 1859	FAN	1			
44	4	0293 7794	FASTENINGS	1			MIT POS.... WITH ITEM
44	5	0110 7117	PLAIN WASHER	1			
44	6	0113 1115	HEXAGON NUT	1			
44	2	0512 4256	0512 4256	0			
44	1	0412 5685	STARTER	1			
44	2	0114 8552	SECHSKANTSCHRAUB	2			25 Nm
44	3	18021062200	PACKING , GASKET	1			
44	3	0512 4393	0512 4393	0			
44	1	0413 4055	RETAINING PLATE	1			
44	2	0118 1436	HEXAGON BOLT	2			30 Nm
44	4	0114 8622	HEXAGON BOLT	2			42 Nm
44	5	0118 3646	HEXAGON BOLT	1			30 Nm
44	6	0118 1432	HEXAGON BOLT	1			30 Nm
44	7	0114 8552	HEXAGON BOLT	3			60 Nm
44	8	0413 4052	BRACKET	1			
44	9	0412 6429	ADAPTER SLEEVE	2			
44	4	0512 4400	0512 4400	0			
44	1	0413 2907	V-RIB.BELT PULLEY	1			
44	2	0413 4096	BRACKET	1			
44	3	0118 1458	HEXAGON BOLT	4			60 Nm
44	4	0412 3999	BELT TENSIONER	1			
44	5	0114 3007	CHEESE HEAD SCERW	1			55 Nm
44	6	0412 3822	IDLER ROLLER	1			
44	7	0413 3847	V-GROVED PULLEY	1			
44	8	0118 1437	HEXAGON BOLT	4			30 Nm
44	9	0413 3880	V-RIBBED BELT	1			
44	10	0412 4008	V-RIB.BELT PULLEY	1			

NOTE	
------	--

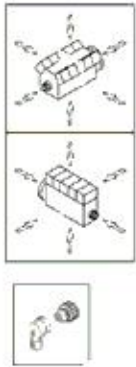
FIG 48-1

T754SC

0511 7723, 0512 4011, 0512 4098, 0512 4127,
0512 4292

년/월
Year/Month

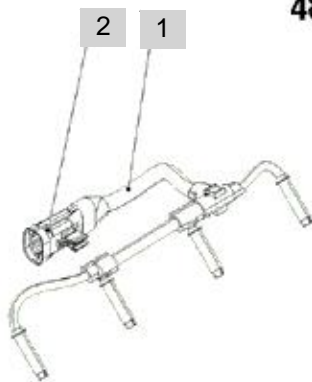
2020.07



48 - 0511 7723
ATTACHMENT PLUG



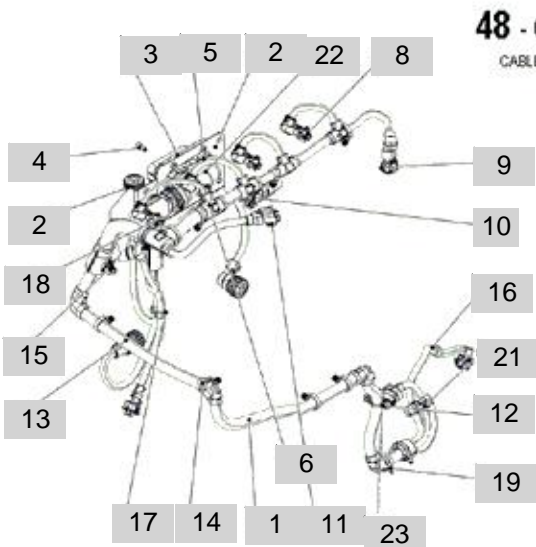
48 - 0512 4098
PLUG-IN CONNECTOR



48 - 0512 4011
CABLE HARNESS



48 - 0512 4127
PLUG-IN CONNECTOR



48 - 0512 4292
CABLE HARNESS

NOTE

FIG 48-1 T754SC	0511 7723, 0512 4011, 0512 4098, 0512 4127, 0512 4292	년/월 Year/Month
		2020.07

KEY NO	PART NO	DESCRIPTION	SPEC	QTY	REPAIR	EFFECTIVE DATE	REMARKS
48-1	01	0511 7723	0511 7723	0			
48-1	1	0421 8154	PLUG IN CONNECTOR	1			4 polig
48-1	02	05124011	05124011	0			
48-1	1	0421 8420	CABLE HARNESS	1			MIT POS.... WITH ITEM
48-1	2	0421 8711	PLUG IN CONNECTOR	1			X18
48-1	03	0512 4098	0512 4098	0			
48-1	1	0421 5408	PLUG IN CONNECTOR	1			
48-1	04	0512 4127	0512 4127	0			
48-1	1	0421 6723	PLUG IN CONNECTOR	1			
48-1	05	0512 4292	0512 4292	0			
48-1	1	0421 1037	CABLE HARNESS	1			(2-23)
48-1	2	0413 1765	RETAINING PLATE	1			
48-1	3	0421 3944	ADAPTER	1			
48-1	4	0118 3501	CHEESE HEAD SCREW	4			
48-1	5	0421 3943	FIXING BRACKET	1			
48-1	6	0421 6974	BRACKET	2			
48-1	7	0421 6798	PLUG-IN CONNECTOR	1			X17
48-1	8	0421 5404	PLUG-IN CONNECTOR	5			Y15.1, Y15.2, Y15, B43, B40.1, B40.2
48-1	9	0421 5409	PLUG-IN CONNECTOR	3			B49
48-1	10	0421 5412	PLUG-IN CONNECTOR	1			B49
48-1	11	0421 5403	PLUG-IN CONNECTOR	1			B48
48-1	12	0421 6073	PLUG-IN CONNECTOR	1			Y20
48-1	13	0421 5408	PLUG-IN CONNECTOR	2			B6, B51
48-1	14	0421 4077	CLAMPING BAND	8			
48-1	15	0421 3120	FIXING CLIP	1			
48-1	16	0419 9421	BRACKET	1			
48-1	17	0421 6271	SUPPORT	1			
48-1	18	0421 7807	WIRE FASTENER	1			
48-1	19	0421 4334	CLAMPING BAND	4			
48-1	21	0421 6072	PLUG-IN CONNECTOR	1			K15
48-1	22	0421 3653	CAP	1			
48-1	23	0421 6135	CLAMPING BAND	1			

NOTE	
------	--

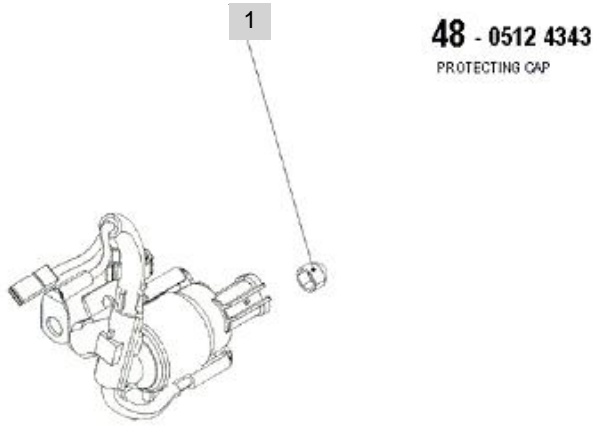
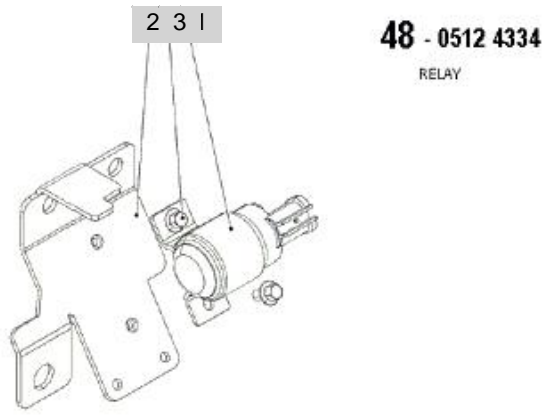
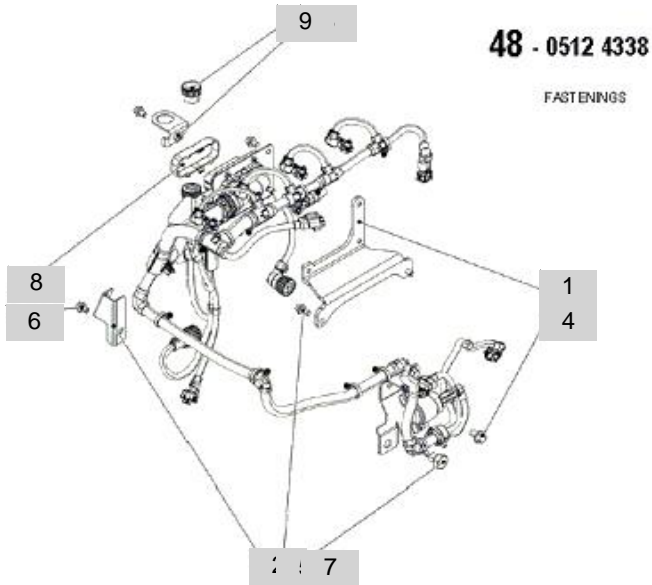
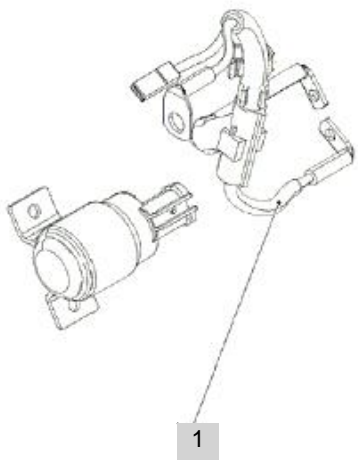
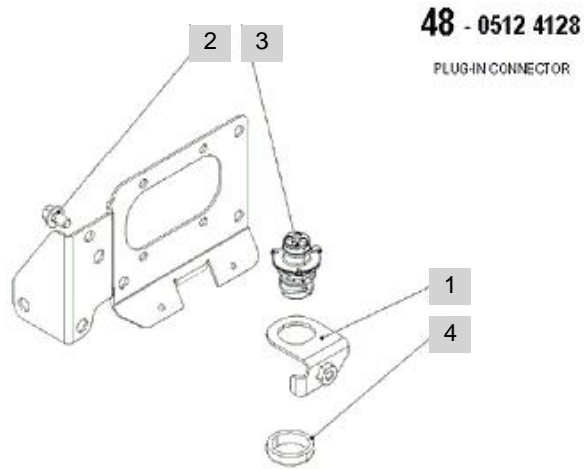
FIG 48-2

T754SC

0512 4128, 0512 4293, 0512 4334, 0512 4338,
0512 4343

년/월
Year/Month

2020.07



NOTE

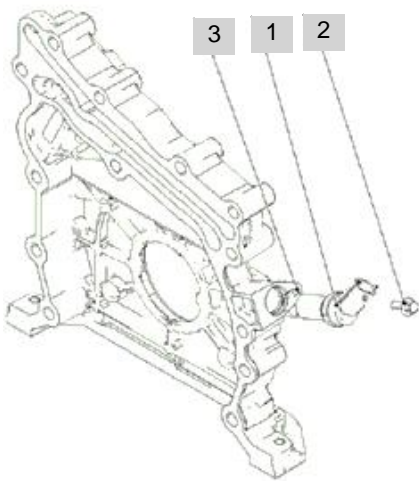
FIG 51

T754SC

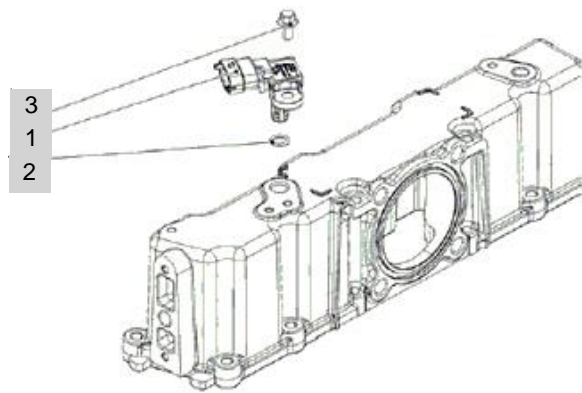
0512 4060, 0512 4104, 0512 4300, 0512 4329

년/월
Year/Month

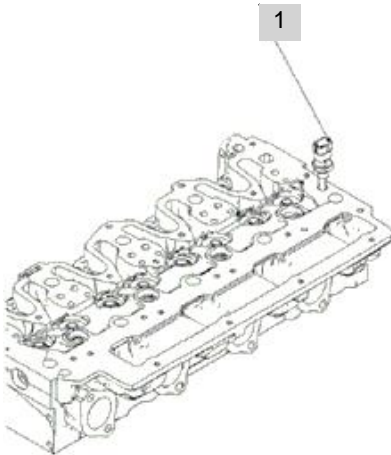
2020.07



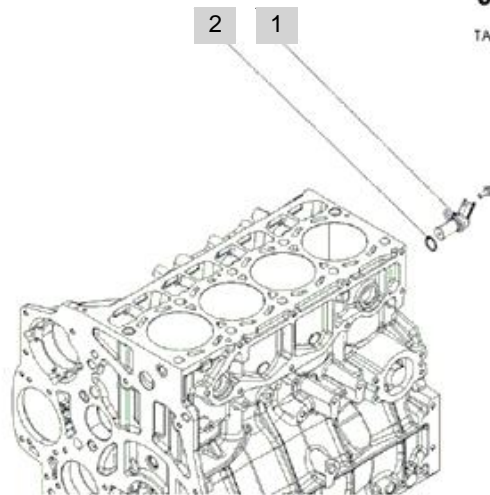
51 - 0512 4060
TACHO-GENERATOR



51 - 0512 4329
SENSOR



51 - 0512 4104
TEMPERATURE TRANSMITTER



51 - 0512 4300
TACHO-GENERATOR

NOTE

FIG 63

0512 4010

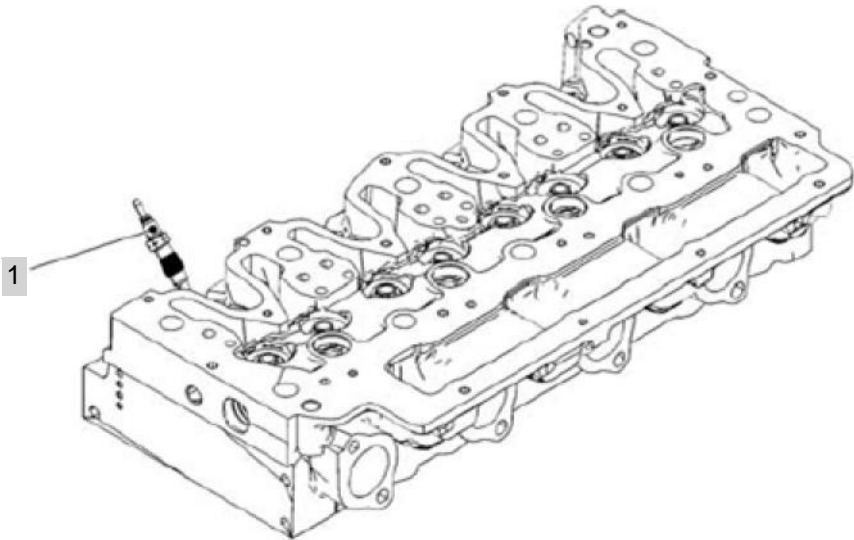
년/월
Year/Month

2020.07

T754SC

63 - 0512 4010

GLOW PLUG



NOTE

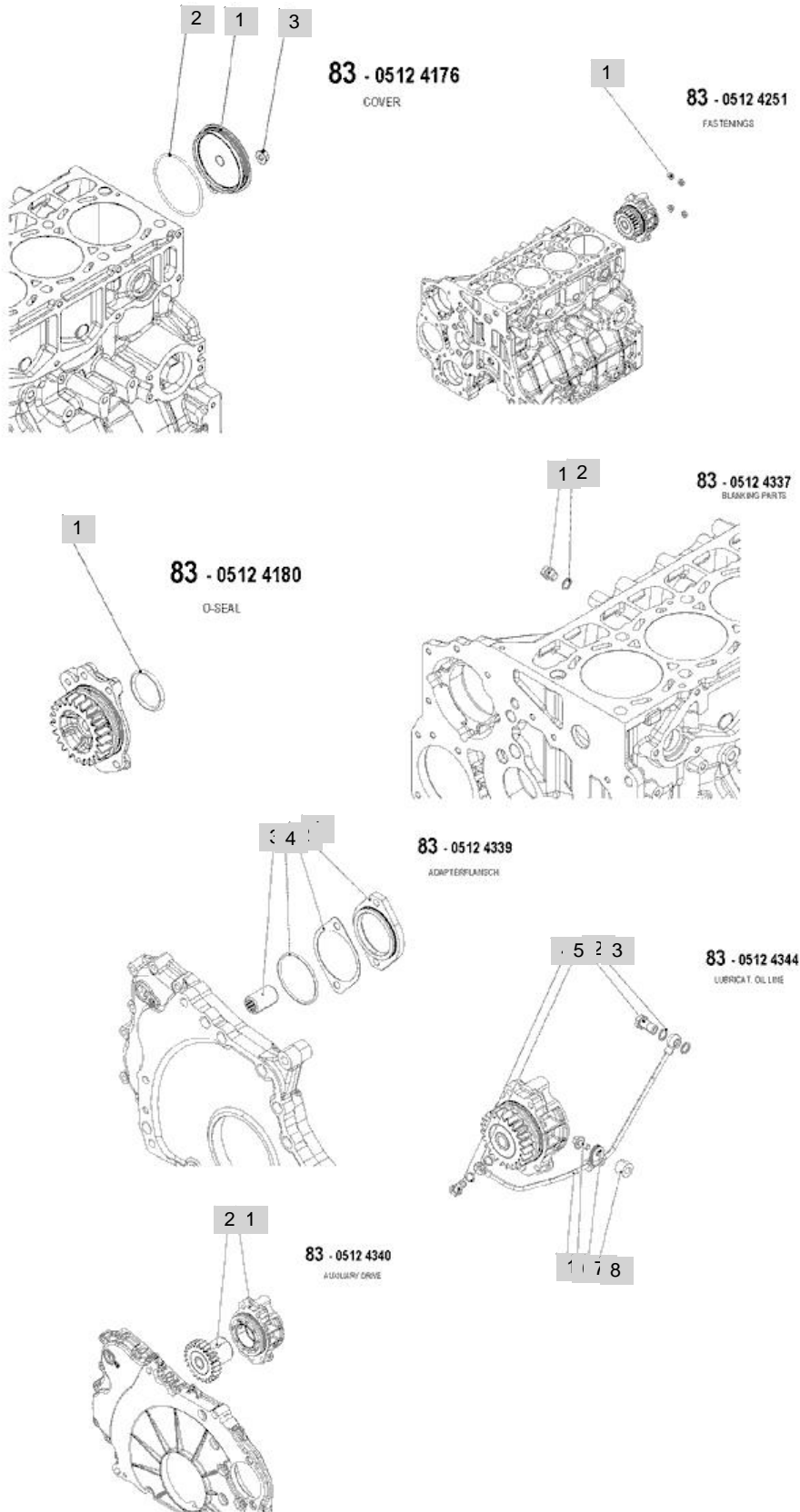
FIG 83

T754SC

0512 4176, 0512 4180, 0512 4251, 0512 4337,
0512 4339, 0512 4340, 0512 4344

년/월
Year/Month

2020.07



NOTE

FIG 83 T754SC	0512 4176, 0512 4180, 0512 4251, 0512 4337, 0512 4339, 0512 4340, 0512 4344	년/월 Year/Month
		2020.07

KEY NO	PART NO	DESCRIPTION	SPEC	QTY	REPAIR	EFFECTIVE DATE	REMARKS
83	01	0512 4176	0512 4176	0			
83	1	0413 0081	COVER	1			MIT POS.... WITH ITEM
83	2	0118 0788	O-SEAL	1			
83	3	0114 8721	HEXAGON NUT	4			20 Nm
83	02	0512 4180	0512 4180	0			
83	1	0116 6104	O-SEAL	1			
83	03	0512 4251	0512 4251	0			
83	1	0114 8721	HEXAGON NUT	1			20 Nm
83	04	0512 4337	0512 4337	0			
83	1	0110 2309	SCREW PLUG	1			75 Nm
83	2	0111 8673	SEALING RING	1			
83	05	0512 4339	0512 4339	0			
83	1	0413 3583	ADAPTERFLANSCH	1			
83	2	0412 5011	GASKET	1			
83	3	0413 2721	CLUTCH SLEEVE	1			
83	4	0116 6104	O-SEAL	1			
83	06	0512 4340	0512 4340	0			
83	1	0413 3557	BRACKET	1			
83	2	0413 3559	DRIVING PARTS	1			
83	07	0512 4344	0512 4344	0			
83	1	0413 3514	LUVRICAT.OIL LINE	1			MIT POS.... WITH ITEM 29 Nm
83	2	0111 9238	HOLLOW SCREW	1			
83	3	0111 8675	SEALING RING	2			
83	4	0115 3236	HOLLOW SCREW	1			18 Nm
83	5	0111 8664	SEALING RING	2			
83	6	0114 8610	PIPE CLAMP	1			
83	7	0118 1432	HEXAGON BOLT	1			30 Nm
83	8	0420 5185	BUSH	1			

NOTE

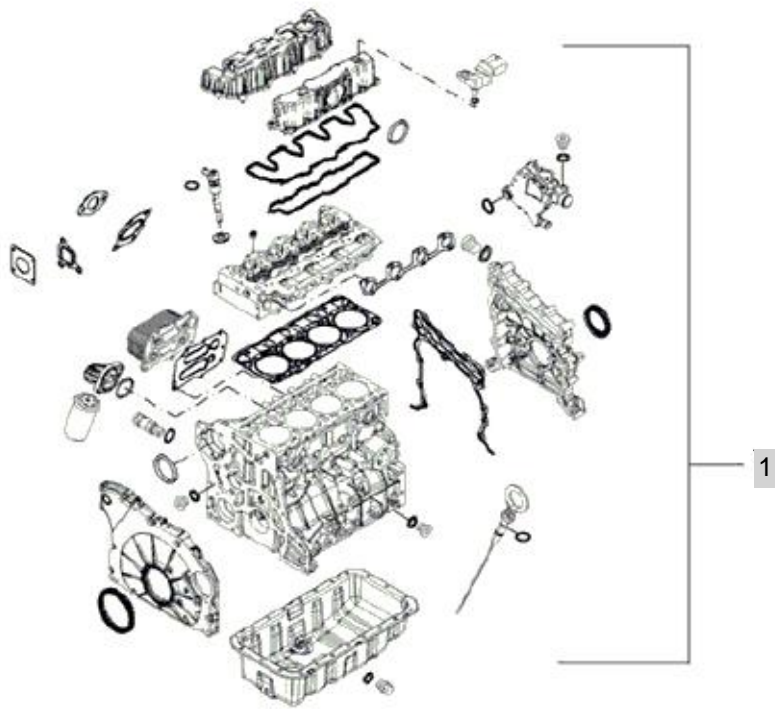
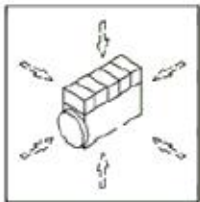
FIG 90

T754SC

0512 4355

년/월
Year/Month

2020.07



90 - 0512 4355

GASKET SET

1

NOTE

Z. ENGINE ACCESSORIES & CONTROL PART NO.
T754SC-C2

FIG 201 AIR CLEANER	66
FIG 202 RADIATOR	68
FIG 203 MUFFLER & EXHAUST PIPE	70
FIG 204 FUEL TANK	72
FIG 205 FUEL FILTER & FUEL PUMP	74
FIG 206 OIL COOLER	76

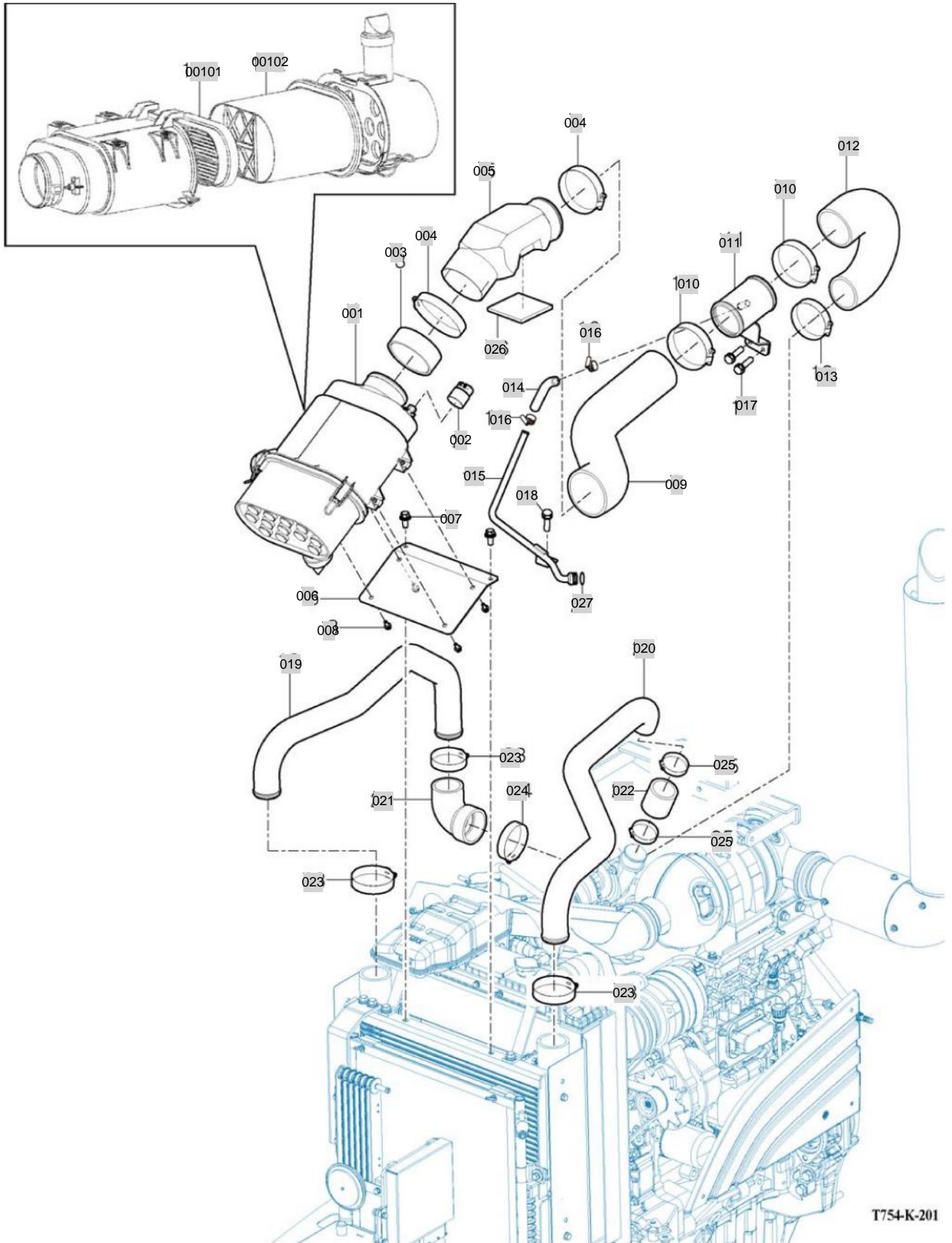
FIG 201

AIR CLEANER

년/월
Year/Month

T754SC

2020.07



NOTE

FIG 202

RADIATOR

년/월
Year/Month

2020.07

T754SC

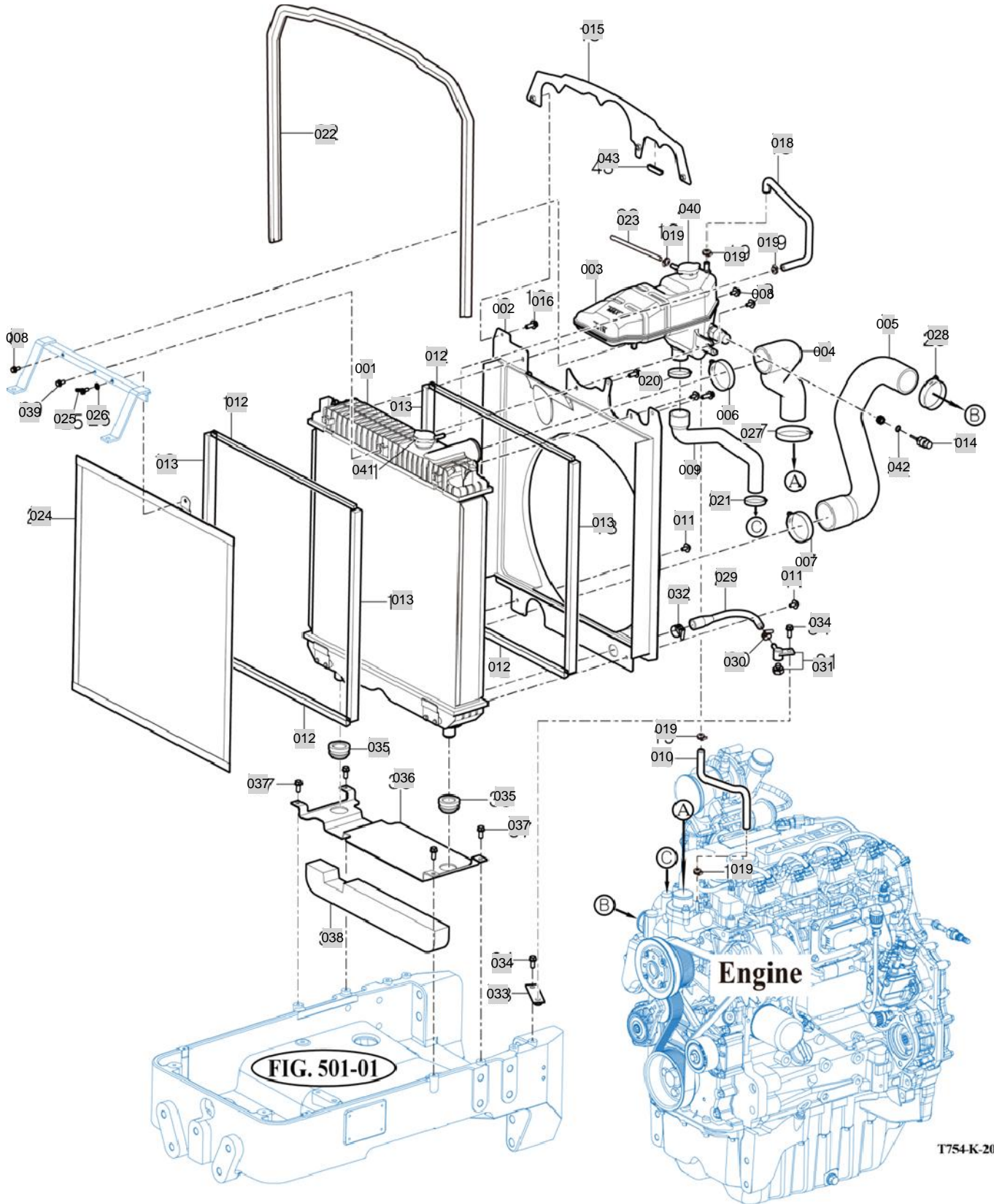


FIG. 501-01

Engine

T754-K-202

NOTE

FIG 202	RADIATOR	년/월 Year/Month
T754SC		2020.07

KEY NO	PART NO	DESCRIPTION	SPEC	QTY	REPAIR	EFFECTIVE DATE	REMARKS
202	001	18021042500	RADIATOR ASSY				
202	002	18021042201	SHROUD				
202	003	18021041003	RESERVE TANK				2018.10.01~
202	004	18021040010	HOSE , RADIATOR INLET				
202	005	18021040020	HOSE , RADIATOR/OUTLET				
202	006	34513310040	CLAMP , HOSE				
202	007	14885050150	CLIP, HOSE			20030401	
202	008	V2193606025	BOLT , HEX/SPL	M6X25		20071108	
202	009	18021040030	HOSE ID22				
202	010	18028200081	HOSE 290				
202	011	V2193606016	BOLT , HEX/SPL	M6X16		20040401	
202	012	16601042340	SPONGE , 495			20101027	
202	013	10011042360	SPONGE , 20X15	20X15X490			
202	014	04218100	LEVEL SWITCH				
202	015	18021042300GB	PLATE COMP , SEAL C				
202	016	V2123606016	BOLT , HEX /SP	M6X16		20081128	
202	018	18021040041	HOSE RD TANK				
202	019	14501410050	CLAMP , WORM 14.5	1X1X1		20111227	
202	020	14241010050	CLIP , 42				
202	021	14445100080	CLAMP , HOSE				
202	022	10031040320	INSULATOR				
202	023	18021040050	HOSE , BREATHER 500				
202	024	17811042300GB	NET COMP , RADIATOR				
202	025	V2712606012	BOLT , WING	M6X12			
202	026	V4111600060	WASHER , PLAIN	M6		20081201	
202	027	34513310040	CLAMP , HOSE				
202	028	34513310040	CLAMP , HOSE				
202	029	19021040091	HOSE(210)	1X1X1		20101027	
202	030	37481850030	BAND , HOSE 18.5	1/2 3/4		20120105	
202	031	15231041000	CONNECTOR			20101027	
202	032	37681850160	BAND , CLAMP(22)			20101027	
202	033	16991041100GB	PLATE COMP , CONNECTOR	1X1X1			
202	034	V2183608025	BOLT , HEX/SP	M8X25		20071001	
202	035	19021040020	CUSHION RADIATOR	1X1X1			
202	036	17131142100GB	SUPPORT , RADIATOR	480X150X38.5			
202	037	V2183608020	BOLT , HEX/SP	M8X20		20081201	
202	038	18021040500	INSULATOR , RADIATOR				
202	039	V2323606016	BOLT , C/R HEX/SP	M6X16		20070809	
202	040	13011042110	RADIATOR CAP	1X1X1			
202	041	18021042110	CAP ASSY OKPa				
202	042	01148836	SEALING RING				
202	043	36806060040	INSULATOR , 30	1X1X1			

NOTE	
------	--

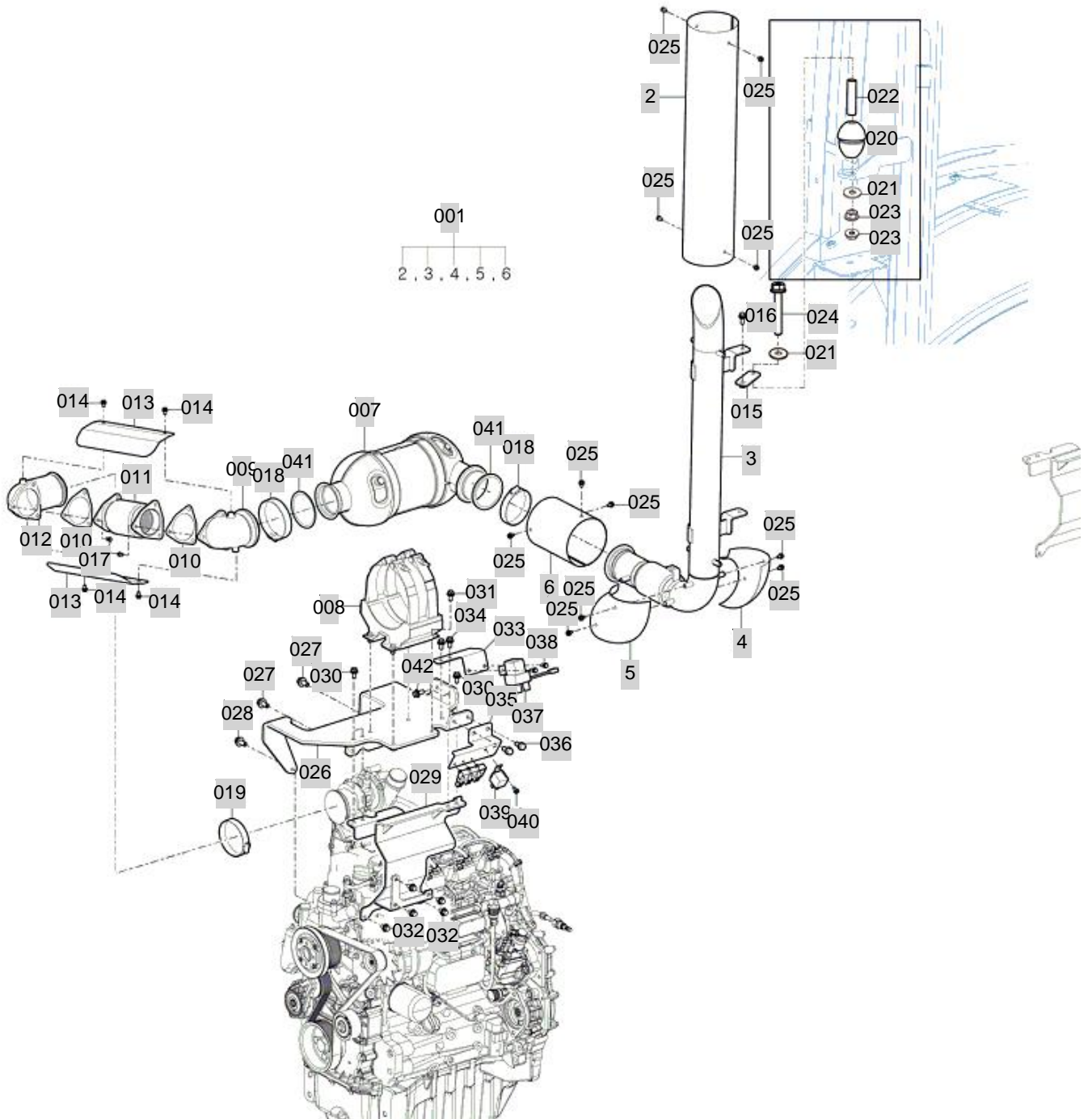
FIG 203

T754SC

MUFFLER & EXHAUST PIPE

년/월
Year/Month

2020.07



NOTE

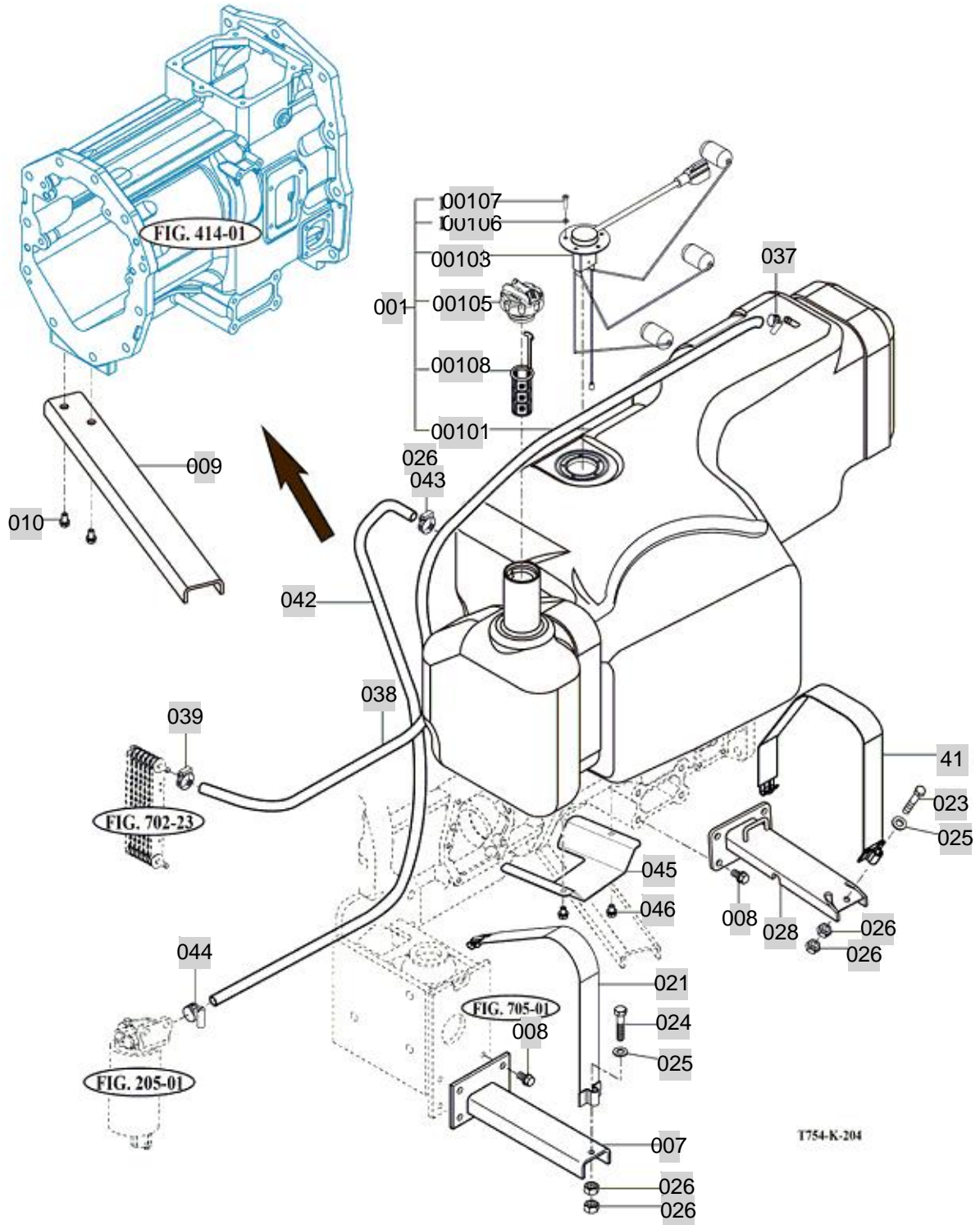
FIG 204

T754SC

FUEL TANK

년/월
Year/Month

2020.07



NOTE

FIG 204	FUEL TANK					년/월 Year/Month
T754SC						2020.07

KEY NO	PART NO	DESCRIPTION	SPEC	QTY	REPAIR	EFFECTIVE DATE	REMARKS
204	001	18021112000	TANK SUB , FUEL				
204	007	17971114101GB	SUPPORT , FR	1X1X1			
204	008	V2173610020	BOLT , HEX/S	M10X20			
204	009	18021112010	BRACKET , FUEL TANK				
204	010	V2173610020	BOLT , HEX/S	M10X20			
204	021	17341114300GB	BAND COMP , FR TANK	1X1X1			
204	023	V2013608065	BOLT , HEX	M8X65			
204	024	V2013608060	BOLT , HEX	M8X60			
204	025	V4111600080	WASHER , PLAIN	M8		20081201	
204	026	V3042600080	NUT , HEX/2	M8		20081201	
204	028	19991114200GB	SUPPORT , RR	1X1X1			
204	037	14501410050	CLAMP , WORM 14.5	1X1X1		20111227	
204	038	18021112200	HOSE ASSY , RETURN/2500				
204	039	37481850030	BAND , HOSE 18.5	1/2 3/4		20120105	
204	042	18021113200	HOSE ASSY, PUMP/1600				
204	043	16601850160	BAND , 20	1X1X1		20080601	
204	044	37681850160	BAND , CLAMP(22)			20101027	
204	045	18021112011	BRACKET , FUEL TANK				2016.06.14~
204	046	V2173608012	BOLT , HEX/S	M8X12		20040401	
204	00101	18011112103	TANK , FUEL				
204	00103	18021112300	GAUGE , FUEL				
204	00105	19143102200	CAP ASSY , FUEL	7.5X7.5X3.1			
204	00106	V4011600050	WASHER , SPRING	M5		20081024	
204	00107	V2053605020	BOLT , HEX C/R	M5X20			
204	00108	18021112500	FILTER , FUEL TANK				

NOTE	
------	--

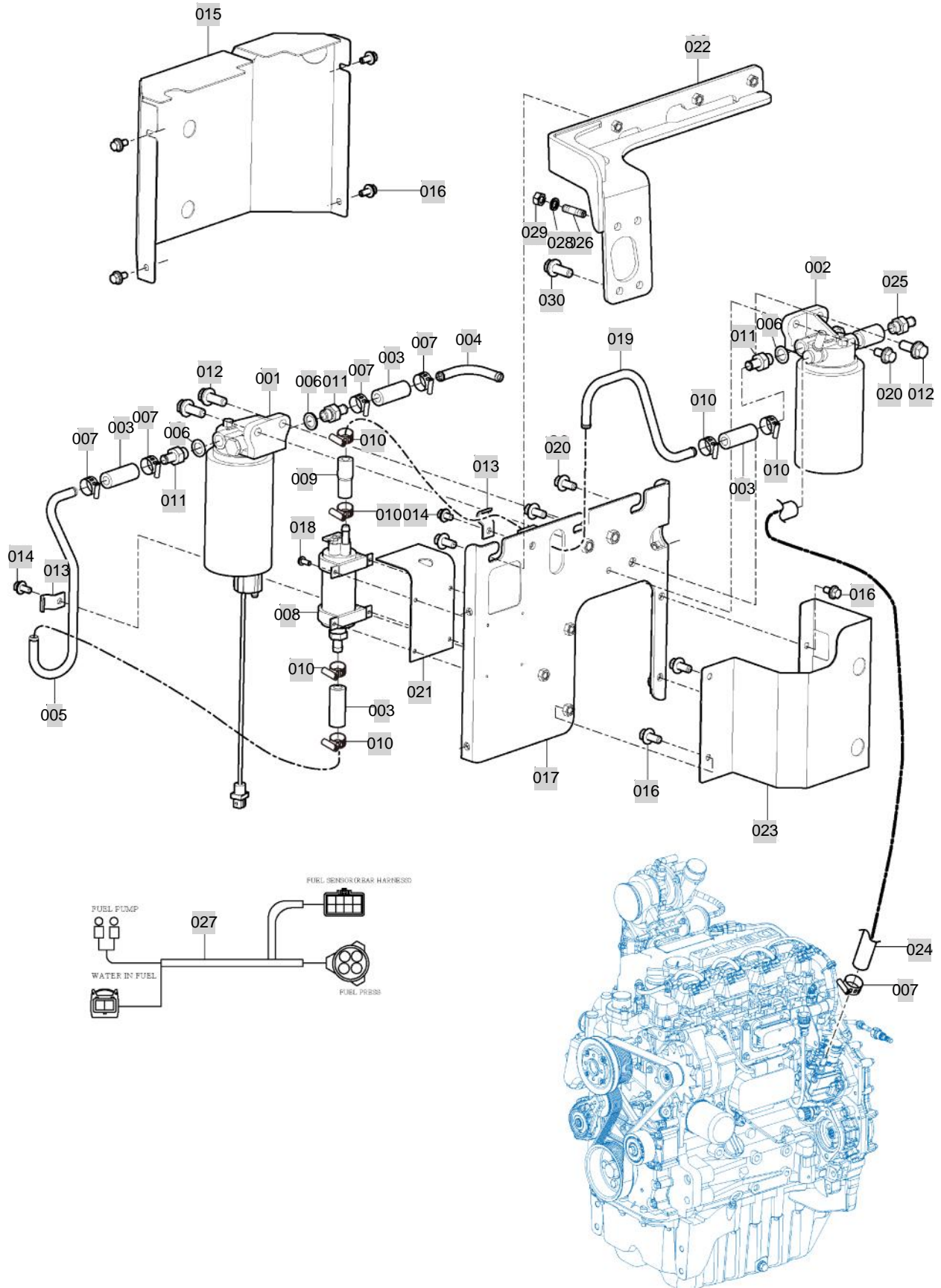
FIG 205

FUEL FILTER & FUEL PUMP

T754SC

년/월
Year/Month

2020.07



NOTE

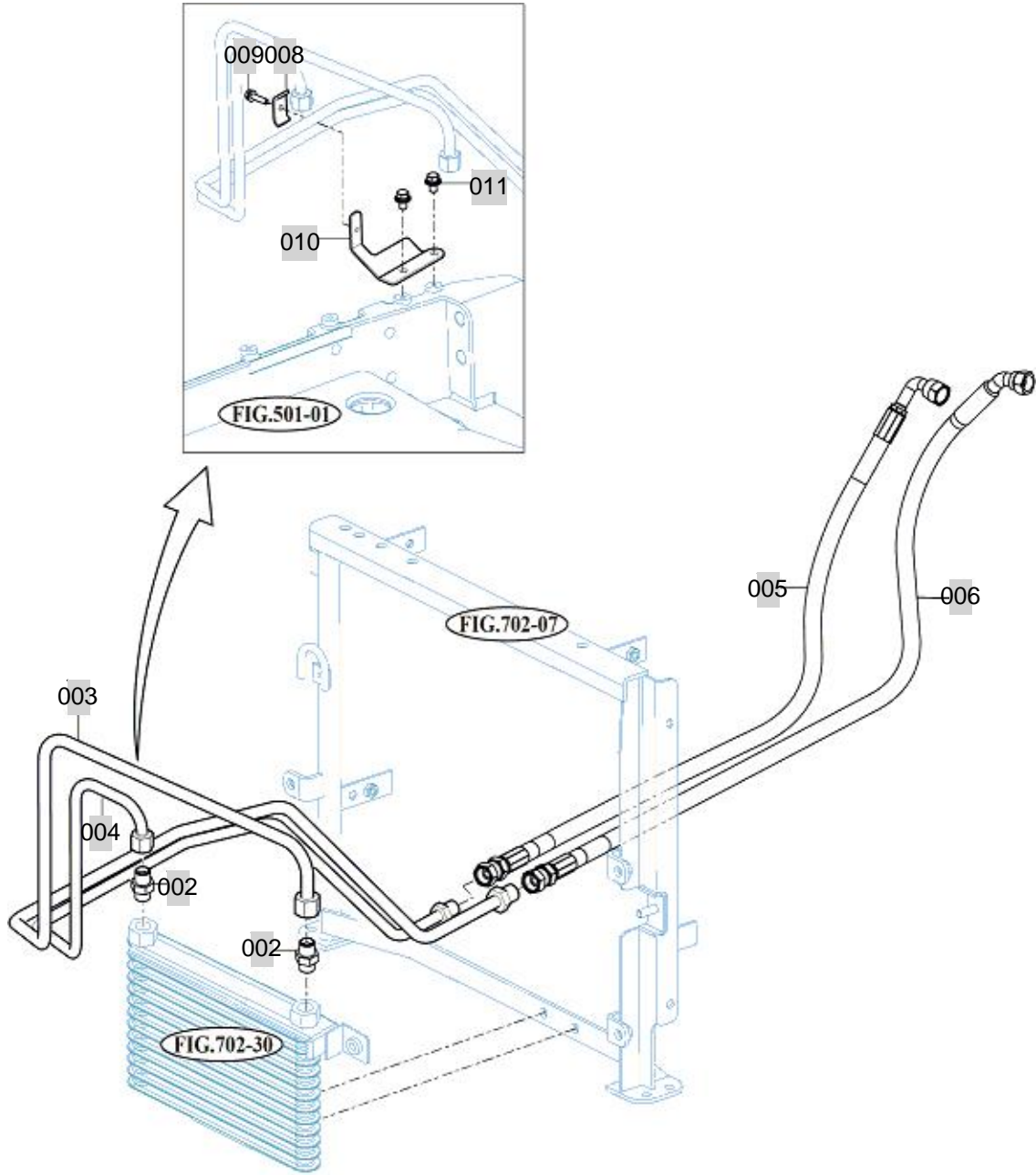
FIG 206

T754SC

OIL COOLER

년/월
Year/Month

2020.07



X750QP-K-207

NOTE

3. CLUTCH,BRAKE,STEERING PART NO. T754SC-C3

FIG 301 CLUTCH	79
FIG 302 CLUTCH PEDAL	81
FIG 303 BRAKE PEDAL & LINK	84
FIG 304 FRONT WHEEL	86
FIG 305 REAR WHEEL	88
FIG 306 POWER STEERING WHEEL	90
FIG 307 POWER STEERING VALVE	92
FIG 308 POWER STEERING CYLINDER	94
FIG 309 HAND BRAKE & BRAKE	96

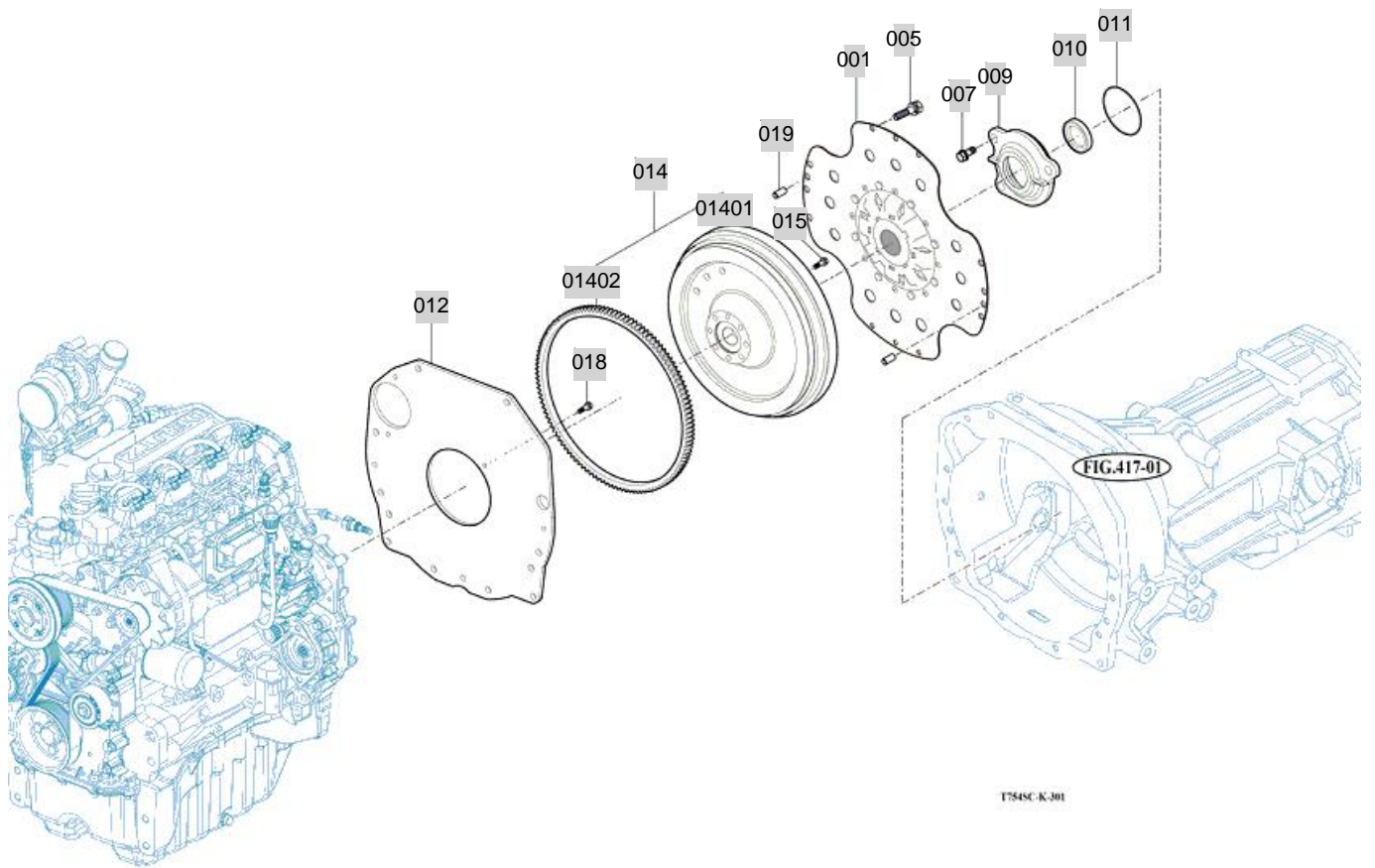
FIG 301

T754SC

CLUTCH

년/월
Year/Month

2020.07



NOTE

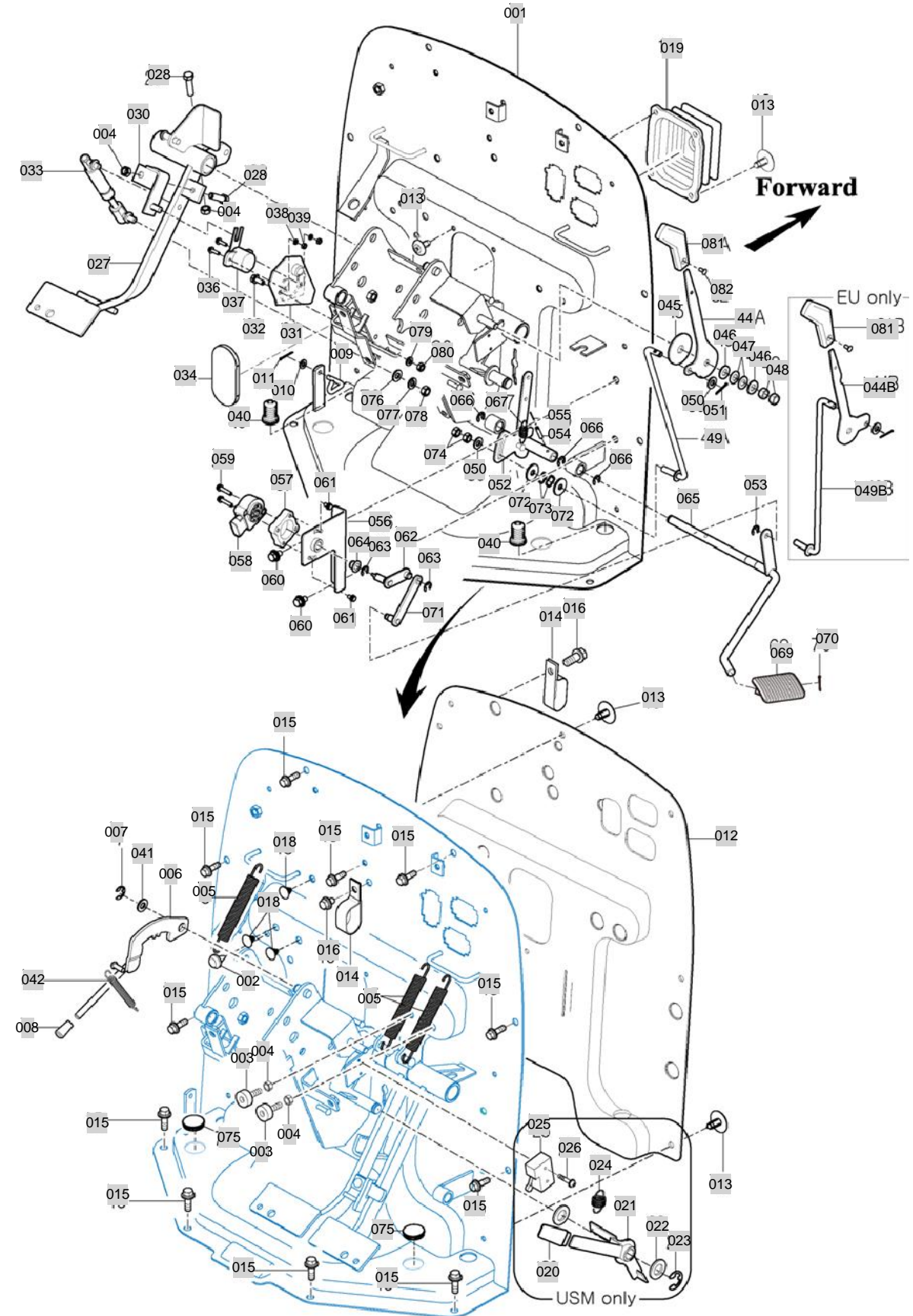
FIG 301 T754SC		CLUTCH					년/월 Year/Month	
							2020.07	
KEY NO	PART NO	DESCRIPTION	SPEC	QTY	REPAIR	EFFECTIVE DATE	REMARKS	
301	001	19961213000	Damper assy	1X1X1	1			
301	005	V2173608020	BOLT , HEX/S	M8X20	12	20120501		
301	007	V2173610030	BOLT , HEX/S	M10X30	3			
301	009	18172100030M	METAL , SLEEVE		1			
301	010	16502070020	SEAL , OIL D		1			
301	011	V7231020071	O-RING , S	S71	1			
301	012	18021480011GB	REAR END PLATE		1			
301	014	15701214300	FLYWHEEL ASSY		1			
301	015	17861019340	BOLT (M14X48)		8			
301	018	V2173608020	BOLT , HEX/S	M8X20	1	20120501		
301	019	V5201010022	PIN , PARALLEL/A	10X22	2			
301	01401	15701214310M	FLYWHEEL		1			
301	01402	18021213320	RING GEAR 118T		1			
NOTE								

FIG 302

CLUTCH PEDAL

년/월
Year/Month

2020.07



NOTE

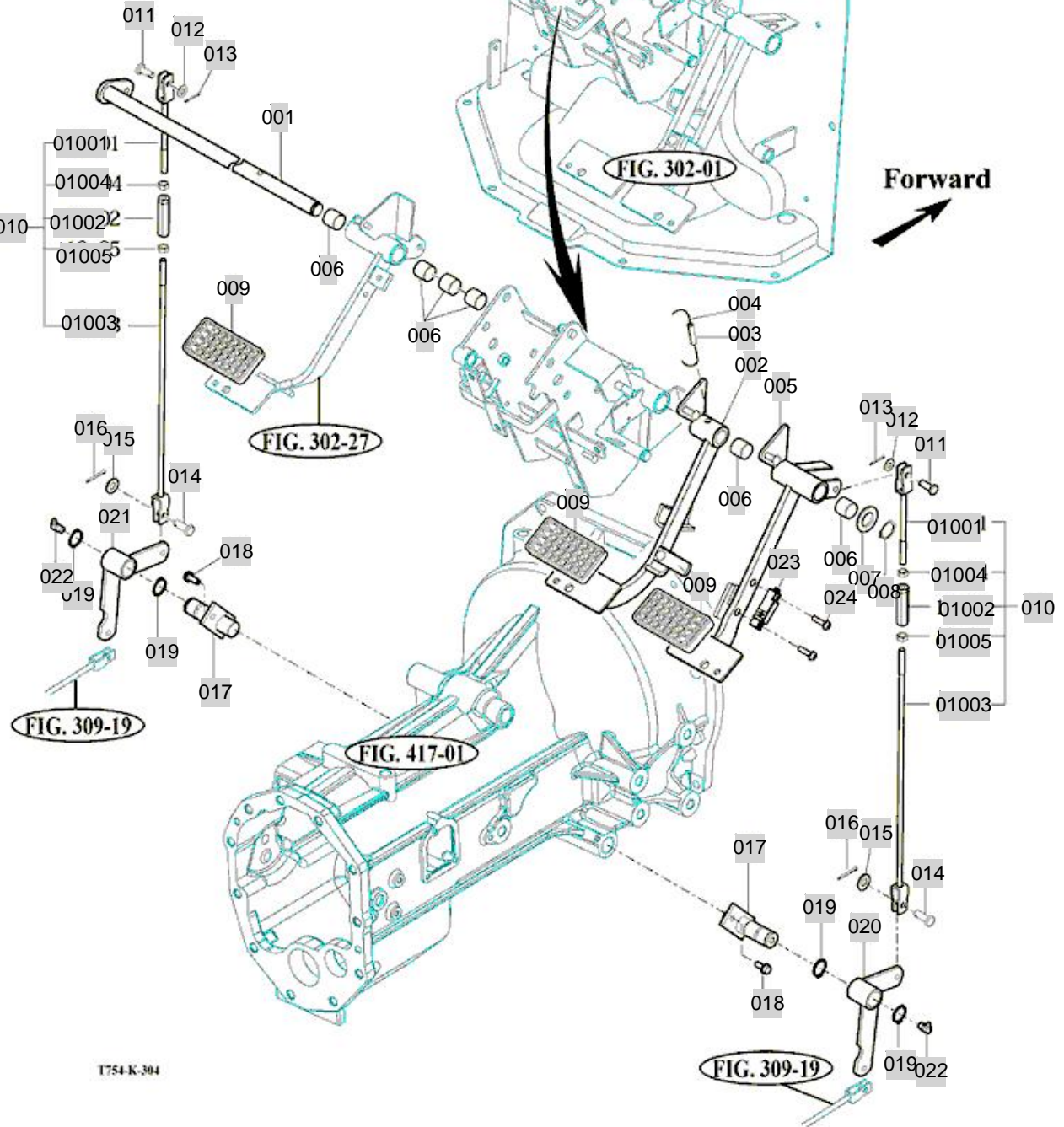
FIG 302		CLUTCH PEDAL					년/월 Year/Month		
							2020.07		
T754SC		KEY NO	PART NO	DESCRIPTION	SPEC	QTY	REPAIR	EFFECTIVE DATE	REMARKS
302	001	15736304200GB	PANEL COMP , DASH			1			
302	001	18186304200GB	PANEL COMP , DASH			1			2017.12.01~ EU Only
302	002	14326160020	RUBBER , CUSHION	1X1X1		1		20071011	
302	003	14216020051	RUBBER , CUSHION B	1X1X1		2		20030901	
302	004	V3043600080	NUT , HEX/2	M8		4		20081001	
302	005	14041200080	RETURN SPRING , CLUTCH	HL2000공용		3			
302	006	14724042401GB	LEVER COMP , TILT	1X1X1		1		20061101	
302	007	V7081400090	E-RING	9		1		20040501	
302	008	21615250020	GRIP , LEVER/RED			1		20070121	US
302	008	14445070030	GRIP , LEVER	1X1X1		1			2017.12.01~ EU Only
302	009	15441230050	ROD	D=5.25 5.3		1			
302	010	V4111600060	WASHER , PLAIN	M6		1		20081201	
302	011	V5001920020	PIN , SPLIT	2X20		1		20040501	
302	012	18027071991	INSULATOR,DASH			1			
302	013	17686040020	RIVET SET , black	SV625		13		20080129	
302	014	14441010161	CLAMP , RADIATOR HOSE	1X1X1		2		20111221	
302	015	V2183608016	BOLT , HEX/SP	M8X16		10		20081224	
302	016	V2183608020	BOLT , HEX/SP	M8X20		2		20081201	
302	018	15276040020	CLIP , TRIM	1X1X1		3		20100108	
302	019	19996300010	BOOT,STEERING/HOSE	T=1.5		1			
302	020	34523030020	GRIP , THROTTLE	1X1X1		1			US Only
302	021	14523293301GB	LEVER COMP,PARKING	1X1X1		1			US Only
302	022	V4111600160	WASHER , PLAIN	M16		1		20071011	US Only
302	023	V7081400150	E-RING	15		1			US Only
302	024	14321200040	SPRING , TENSION 31	D=1.2		1		20101126	US Only
302	025	16756214701	SWITCH ASSY , SAFETY	1X1X1		1			US Only
302	026	V1222604025	SCREW , C/R PAN/SP	M4X25		2			US Only
302	027	19991332100GB	PEDAL COMP , CLUTCH	340*100*150		1			
302	028	V2013608030	BOLT , HEX	M8X30		2		20081201	
302	030	14541332400	PLATE COMP , SENSOR PIN	1X1X1		1			
302	031	14546303400	PLATE COMP , SENSOR	1X1X1		1			
302	032	V2113606016	BOLT , HEX /S	M6X16		1		20081201	
302	033	14541332200	DAMPER ASSY , CLUTCH	1X1X1		1			
302	034	14546301230	INSULATOR , CLUTCH PEDAL	1X1X1		1			
302	036	V1222604016	SCREW , C/R PAN/SP	M4X16		2			
302	037	14545300020	POTENTIOMETER ASSY	1X1X1		1		20081201	
302	038	V4011600040	WASHER , SPRING	M4		2		20081201	
302	039	V3002600040	NUT , HEX/1	M4		2			
302	040	14521160090	BOOT , BRAKE ROD	1X1X1		2		20100622	
302	041	V4111600120	WASHER , PLAIN	M12		1		20050901	
302	042	16001200080	RETURN SPRING , BRAKE	1X1X1		1			
302	044A	19991162111	PLATE , THROTTLE LEVER			1			
302	044B	18181162110	PLATE , THROTTLE LEVER			1			2017.12.01~ EU Only
302	045	14141170050	LINING , 13X50X3	T=3		1			
302	046	V4111600100	WASHER , PLAIN	M10		2		20081201	
NOTE									

FIG 303

BRAKE PEDAL & LINK

년/월
Year/Month

2020.07



T754-K-304

NOTE

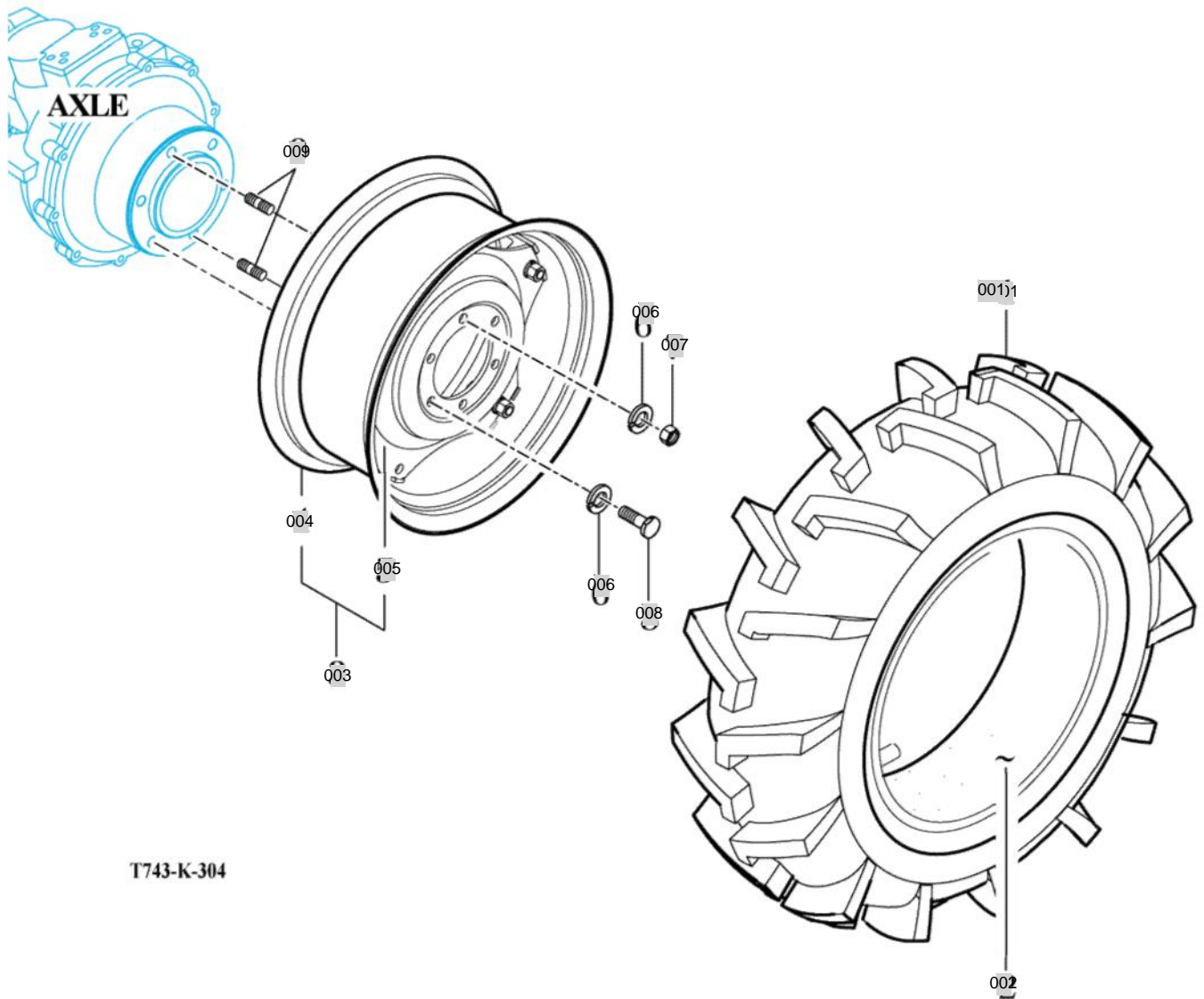
FIG 304

FRONT WHEEL

년/월
Year/Month

T754SC

2020.07



T743-K-304

NOTE

FIG 304 T754SC		FRONT WHEEL						년/월 Year/Month	
								2020.07	
KEY NO	PART NO	DESCRIPTION	SPEC	QTY	REPAIR	EFFECTIVE DATE	REMARKS		
304	001	18026102200	TIRE , 11.2-24						
304	001	18026102201	TIRE , 11.2-24				2017.12.11~		
304	002	14473310010	TUBE , 11.2-24	11-24	2				
304	003	17334372200MS	WHEEL ASSY , W10X24/PAINTING	W10*24	2				
304	004	17684372210	RIM , W10-24	1X1X1	2				
304	005	17684372220	DISK , W10-24	1X1X1	2				
304	006	V4011600160	WASHER , SPRING	M16	12	20081226			
304	007	V3043600160	NUT , HEX/2	M16	4	20080129			
304	008	V2014616030	BOLT , HEX	M16X30	8				
304	009	15603200010	BOLT , STUD M16X30	D=16	4				
NOTE									

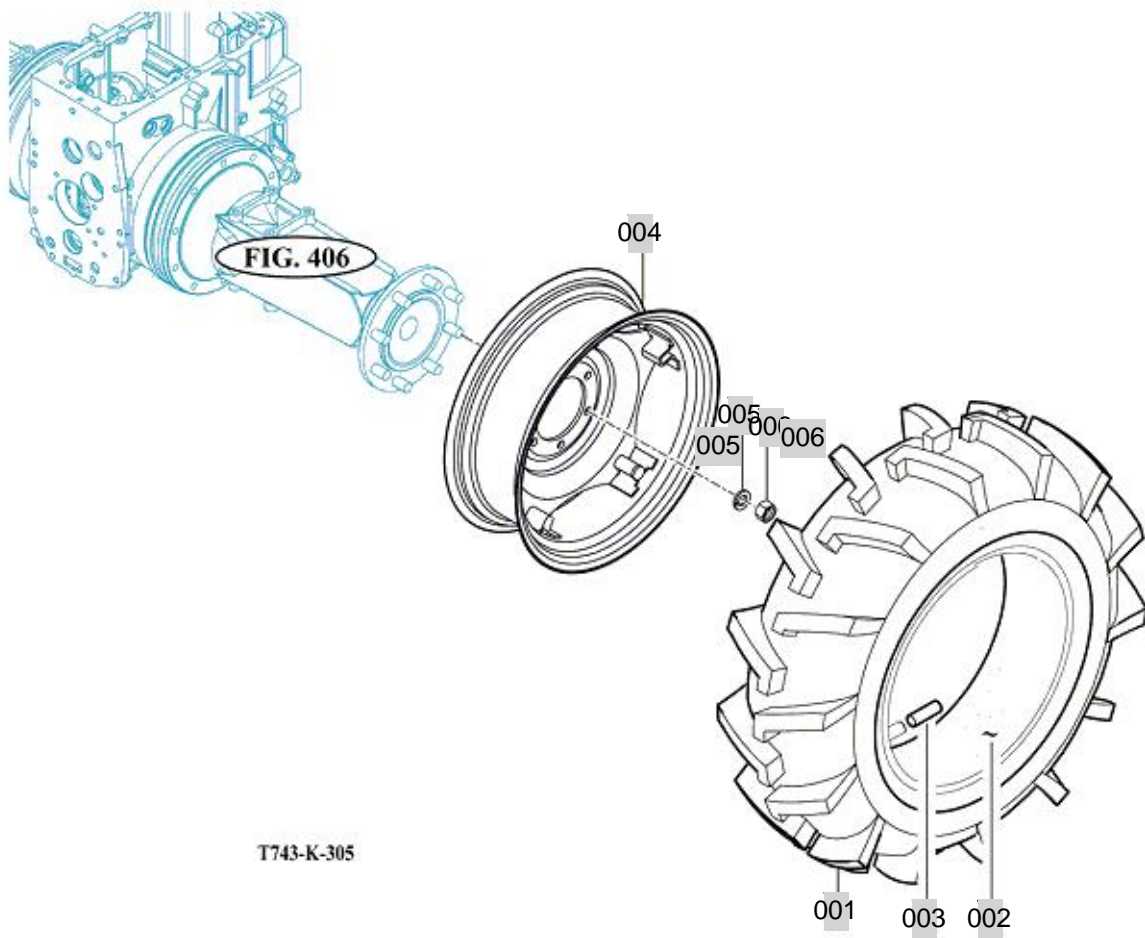
FIG 305

T754SC

REAR WHEEL

년/월
Year/Month

2020.07



NOTE

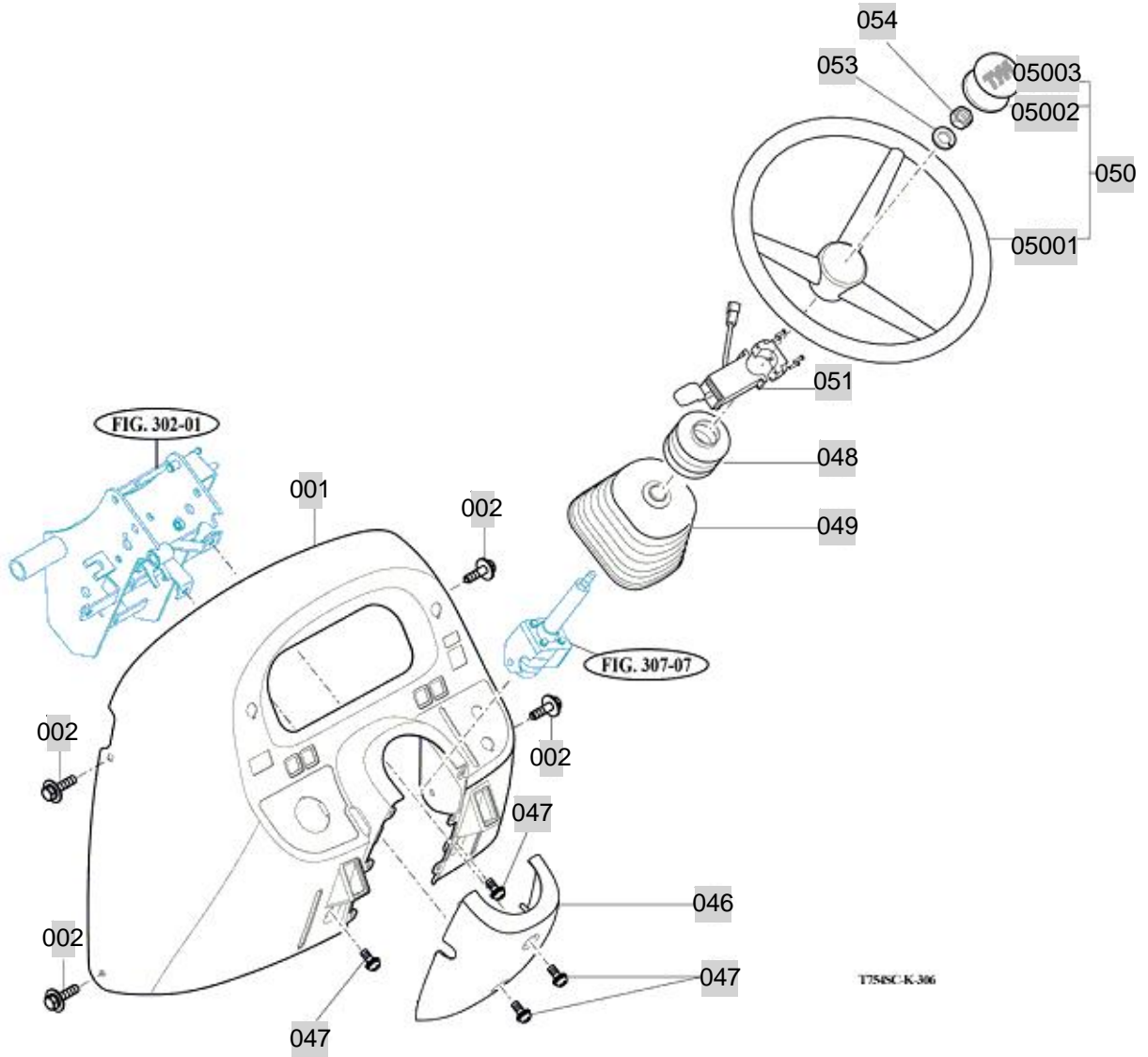
FIG 306

T754SC

POWER STEERING WHEEL

년/월
Year/Month

2020.07



NOTE

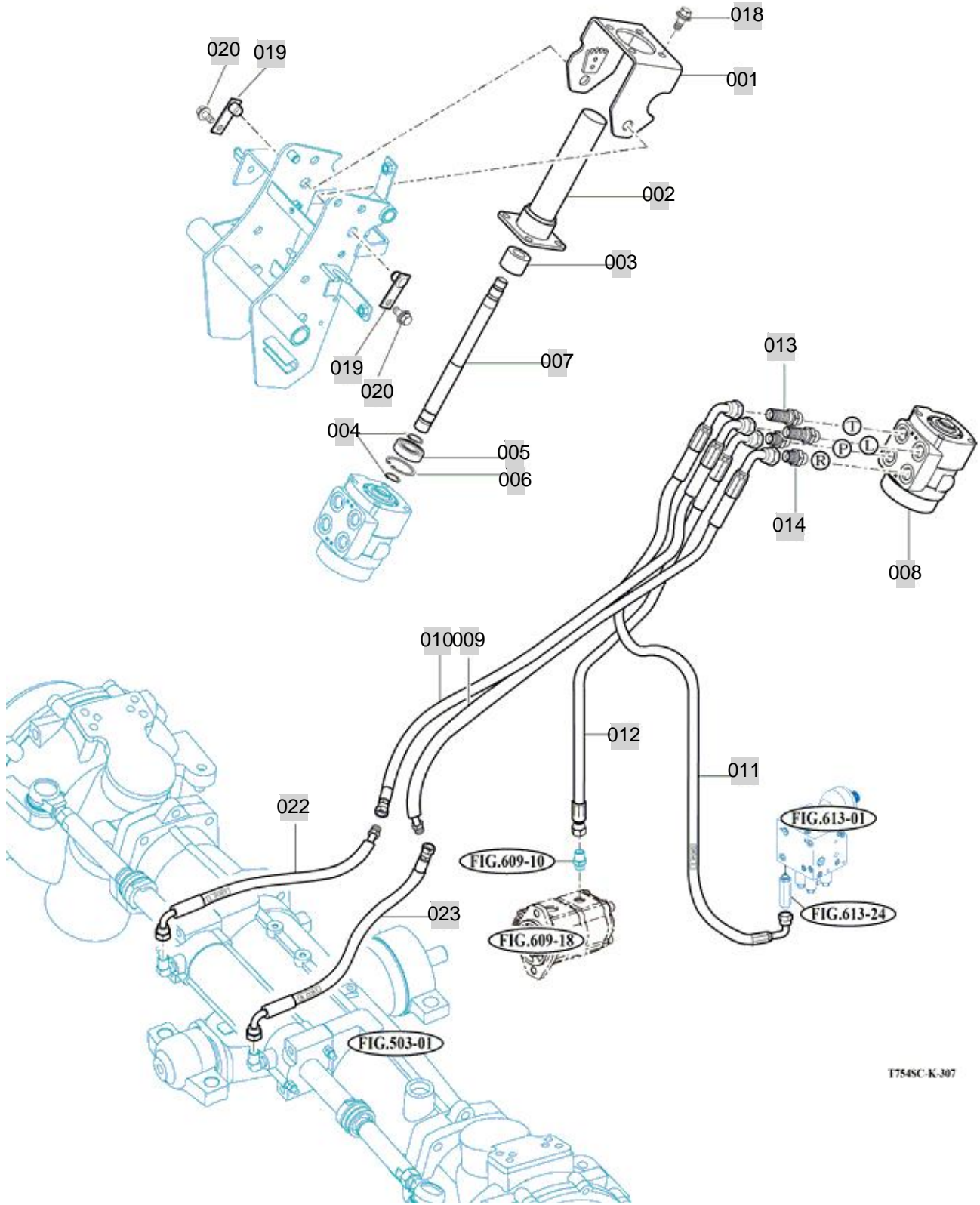
FIG 307

POWER STEERING VALVE

년/월
Year/Month

T754SC

2020.07



T754SC-K-307

NOTE

FIG 307 T754SC	POWER STEERING VALVE	년/월 Year/Month
		2020.07

KEY NO	PART NO	DESCRIPTION	SPEC	QTY	REPAIR	EFFECTIVE DATE	REMARKS
307	001	19994043300GB	BRACKET COMP, STEERING	90*123*118	1		
307	002	19994043900GB	PIPE COMP , STEERING COLUMN	80*80*200	1		
307	003	14324060070	BUSH , STEERING	1X1X1	1		
307	004	V7041400200	C-RING , SHAFT	20	2		
307	005	V6001306004	BEARING , BALL	6004ZZ	1		
307	006	V7051400420	C-RING , HOLE	42	1	20040401	
307	007	19994043700	SHAFT , STEERING	255*D20	1		
307	008	17814072000	VALVE ASSY , STEERING		1		
307	009	18014072401	HOSE ASSY , RH		1		
307	010	18014072501	HOSE ASSY , LH	1X1X1	1		
307	011	18174072700	HOSE ASSY , 1200		1		
307	012	18024072600	HOSE ASSY , P (950)		1		
307	013	19994080070	UNION , PF3/8-39	58*22*30	2		
307	014	16994080072	UNION , SHORT	육각 22 (40X25)	2	20111020	
307	018	V2183610025	BOLT , HEX/SP	M10X25	4		
307	019	16754042100GB	PIN COMP , LH 16X21	1X1X1	2		
307	020	V2183608020	BOLT , HEX/SP	M8X20	2	20081201	
307	022	18014072800	HOSE ASSY , HYD 790		1		
307	023	18014052800	HOSE ASSY , HYD 790		1		

NOTE

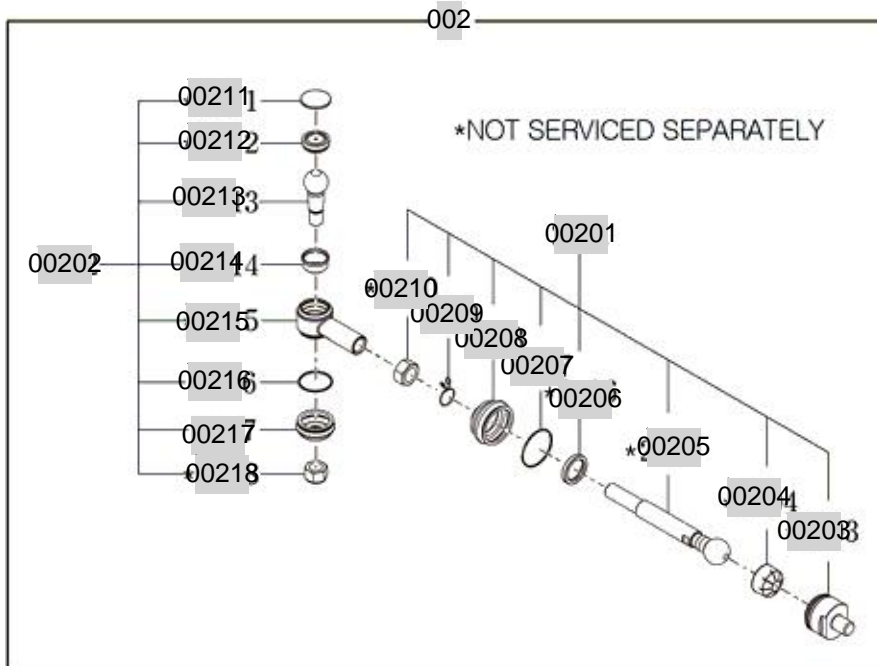
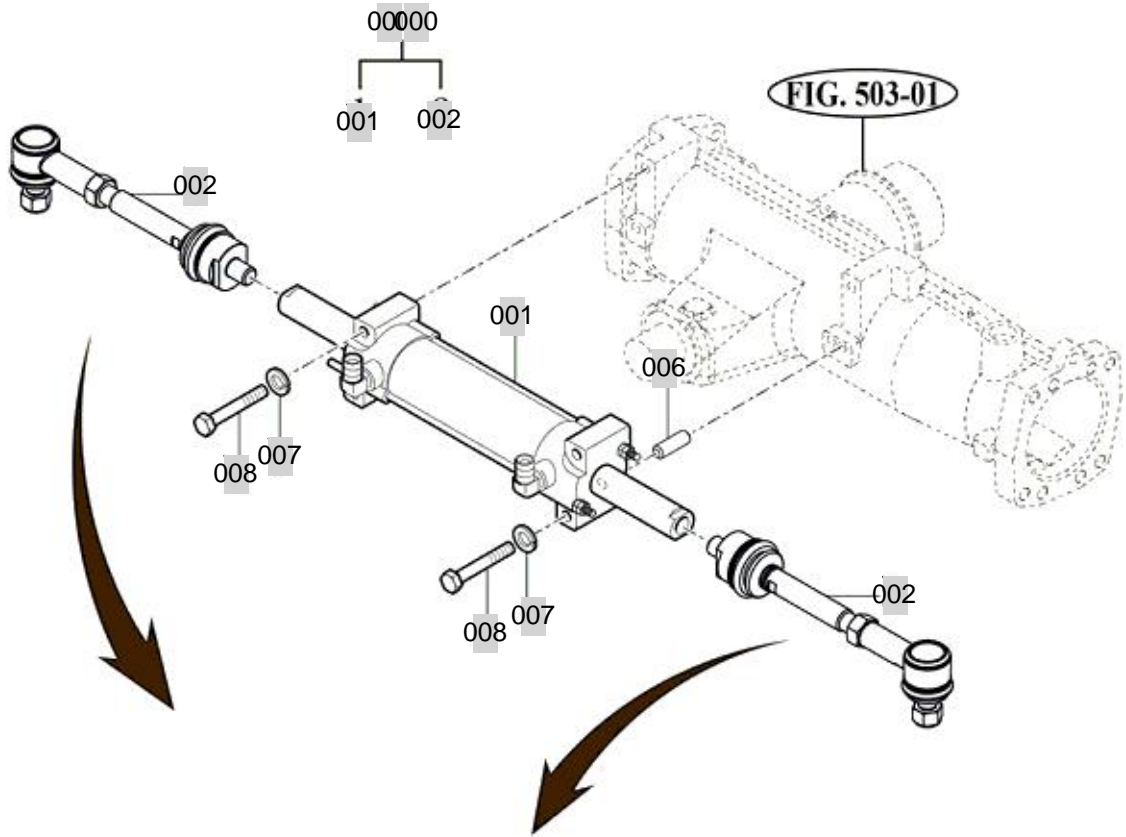
FIG 308

POWER STEERING CYLINDER

년/월
Year/Month

2020.07

T754SC



TX553/653/703-K-309

NOTE

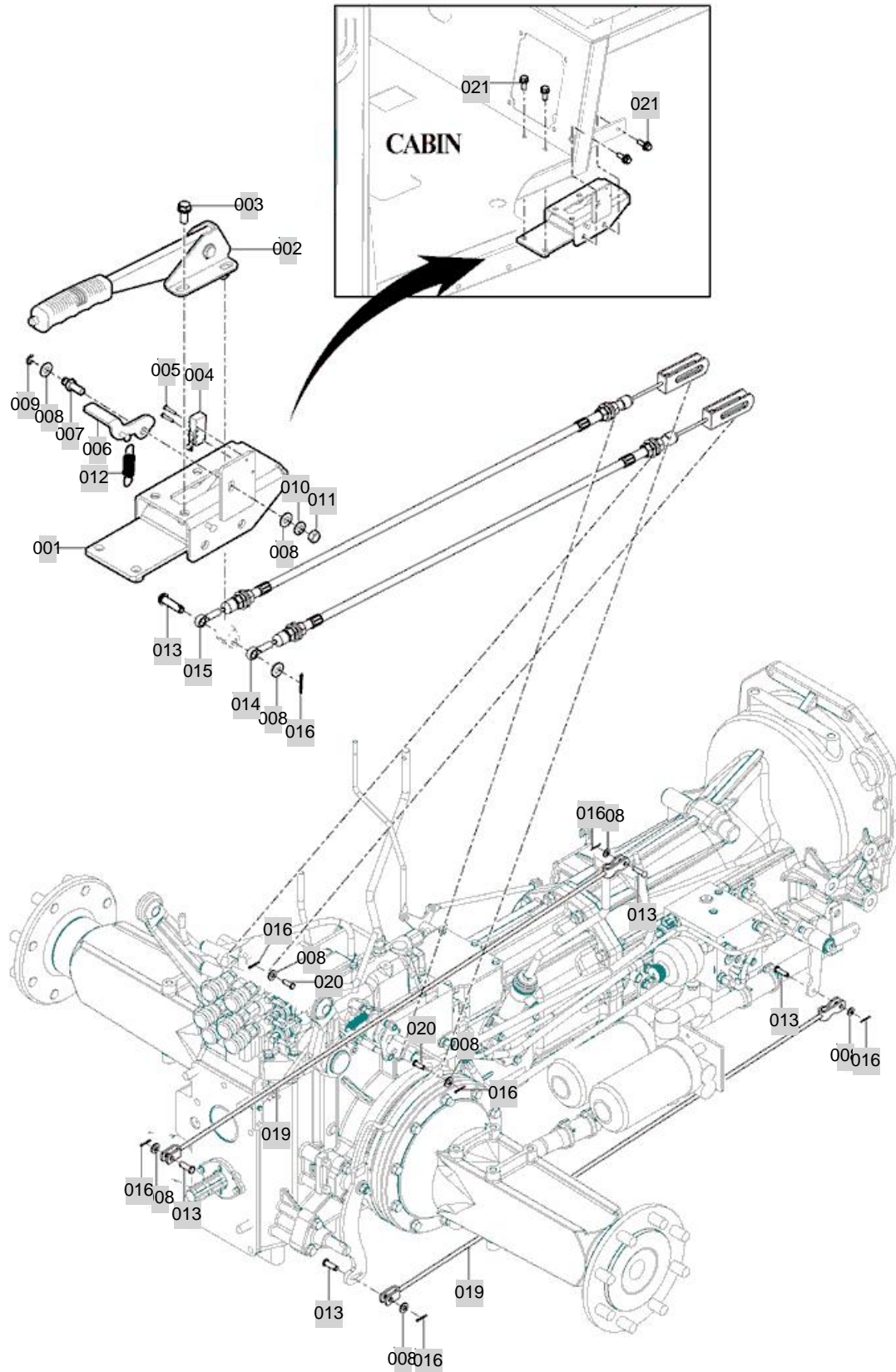
FIG 309

HAND BRAKE & BRAKE

년/월
Year/Month

2020.07

T754SC



NOTE

4. TRANSMISSION & REAR AXLE PART NO. T754SC-C4

FIG 401 CASE , RR TRANSMISSION	99
FIG 402 SUB CHANGE GEARS	101
FIG 403 REAR DIFFERENTIAL GEARS	103
FIG 404 P.T.O CHANGE GEARS	105
FIG 405 P.T.O CHANGE SHIFTER	107
FIG 406 HOUSING , RR AXLE	109
FIG 407 P.T.O DRIVE SHAFT	111
FIG 408 CREEP CHANGE	113
FIG 409 INPUT & COUNTER GEARS	115
FIG 410 CHANGE GEARS	117
FIG 411 REVERSE GEARS	119
FIG 412 MAIN CHANGE LEVER	121
FIG 413 SUB CHANGE LEVER	123
FIG 414 TRANSMISSION MID CASE	125
FIG 415 SUB CHANGE SHIFTER	127
FIG 416 4WD CHANGE LEVER	129
FIG 417 TRANSMISSION FRONT CASE	131
FIG 418 DRIVE GEARS(US)	133
FIG 418-2 DRIVE GEARS(EU)	135

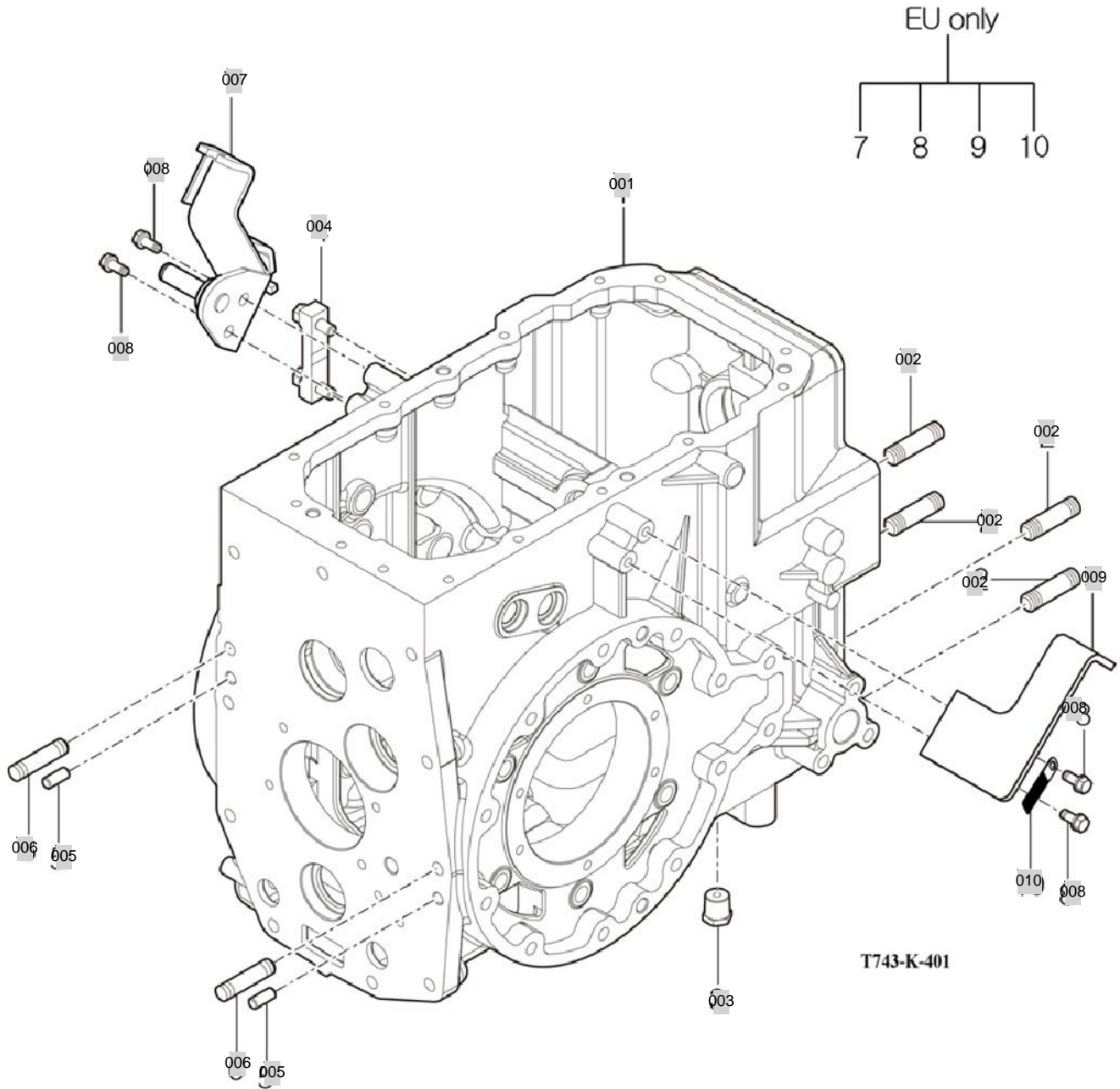
FIG 401

CASE , RR TRANSMISSION

년/월
Year/Month

2020.07

T754SC



NOTE

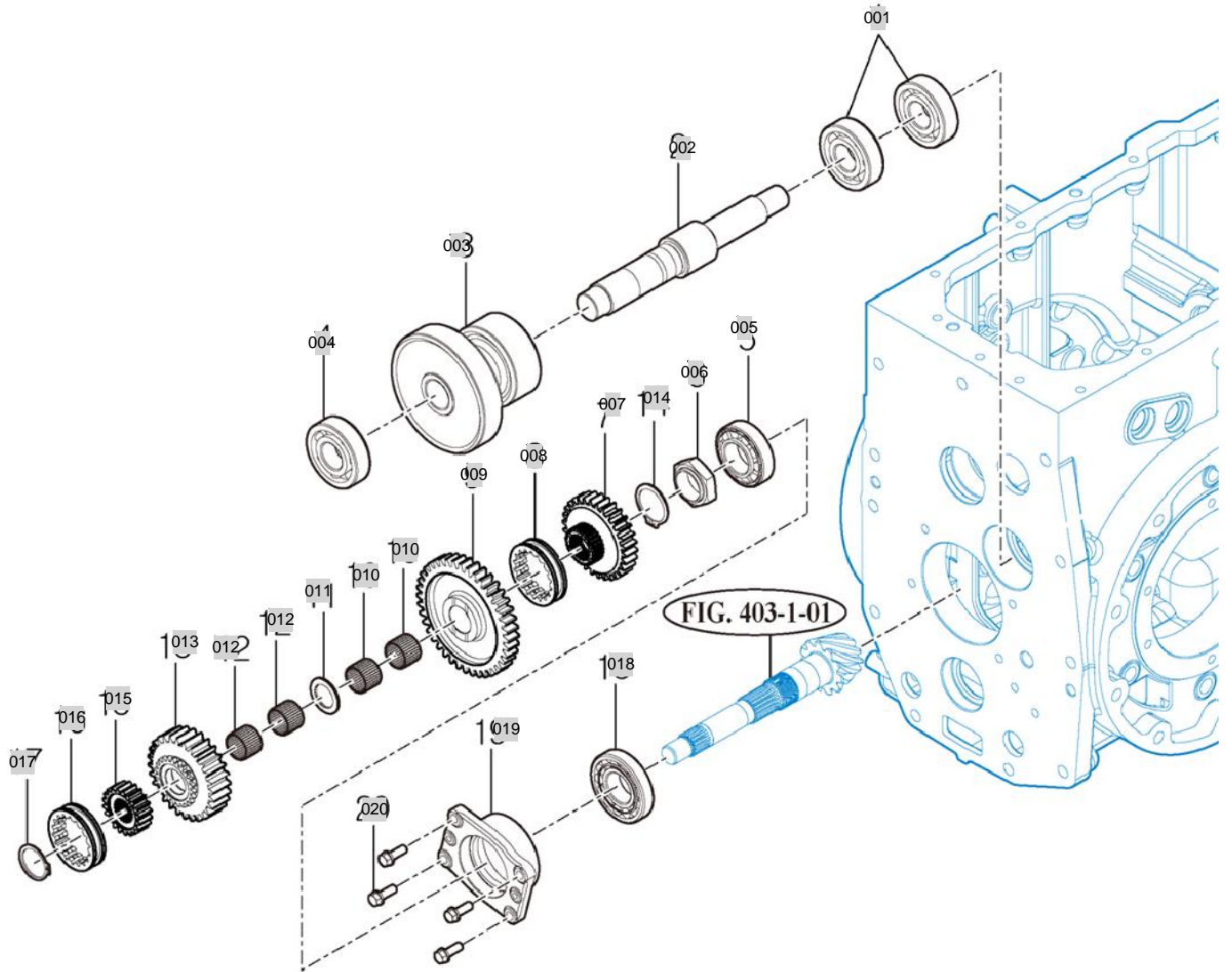
FIG 402

T754SC

SUB CHANGE GEARS

년/월
Year/Month

2020.07



T754SC-K-402

NOTE

FIG 402 T754SC		SUB CHANGE GEARS						년/월 Year/Month	
								2020.07	
KEY NO		PART NO	DESCRIPTION	SPEC	QTY	REPAIR	EFFECTIVE DATE	REMARKS	
402	001	V6001106305	BEARING , BALL	6305	2				
402	002	18012430260	GEAR , SPUR 12T	1X1X1	1				
402	003	18012430250	GEAR, HELICAL 41-20T	1X1X1	1				
402	004	V6041106306	BEARING , BALL/HL1	6306HL1	1				
402	005	V6321132208	BEARING, TAPER ROLLER	32208CR	1				
402	006	17973030020	NUT , M40 P1,5	육각B=55	1				
402	007	18012270010	GEAR , SPUR 29T	1X1X1	1				
402	008	15242360050	COUPLING , SLIDE		1				
402	009	18012430320	GEAR , SPUR 46T	1X1X1	1				
402	010	V6544323717	BEARING , NEEDLE CAGED	KT323717	2				
402	011	18012160040	WASHER , 32X46X03	1X1X1	1				
402	012	V6544323717	BEARING , NEEDLE CAGED	KT323717	2				
402	013	18012430330	GEAR , SPUR 24T	1X1X1	1				
402	014	V7041400380	RING .SNAP	38	1				
402	015	18012430090	HUB , 31X62X19	1X1X1	1				
402	016	15242360050	COUPLING , SLIDE		1				
402	017	V7041400320	C-RING , SHAFT	32	1				
402	018	V6341130308	BEARING, TAPER ROLLER	30308J	1				
402	019	19963010040M	METAL , PINION		1				
402	020	V2173610030	BOLT , HEX/S	M10X30	4				
NOTE									

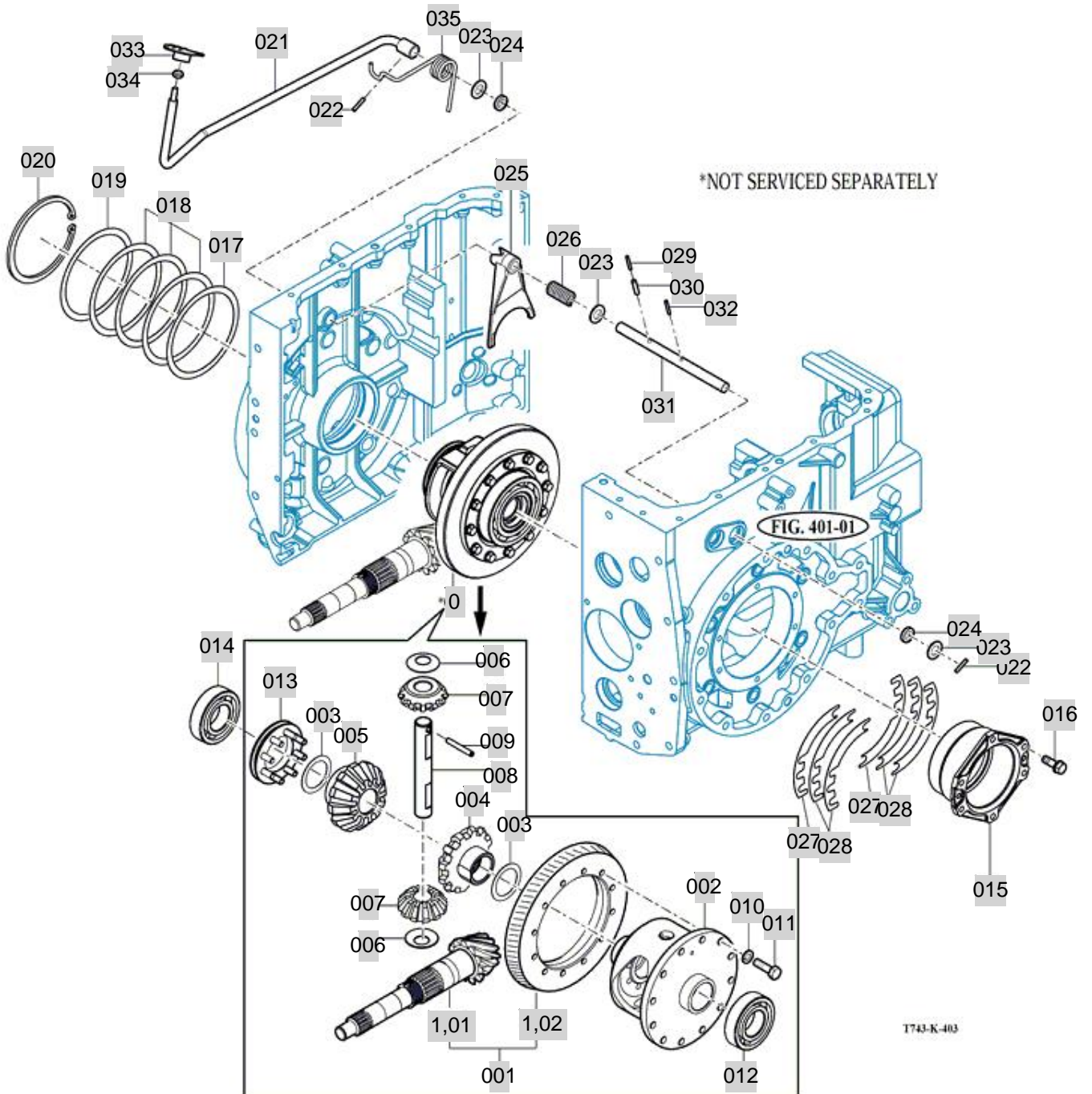
FIG 403

T754SC

REAR DIFFERENTIAL GEARS

년/월
Year/Month

2020.07



NOTE

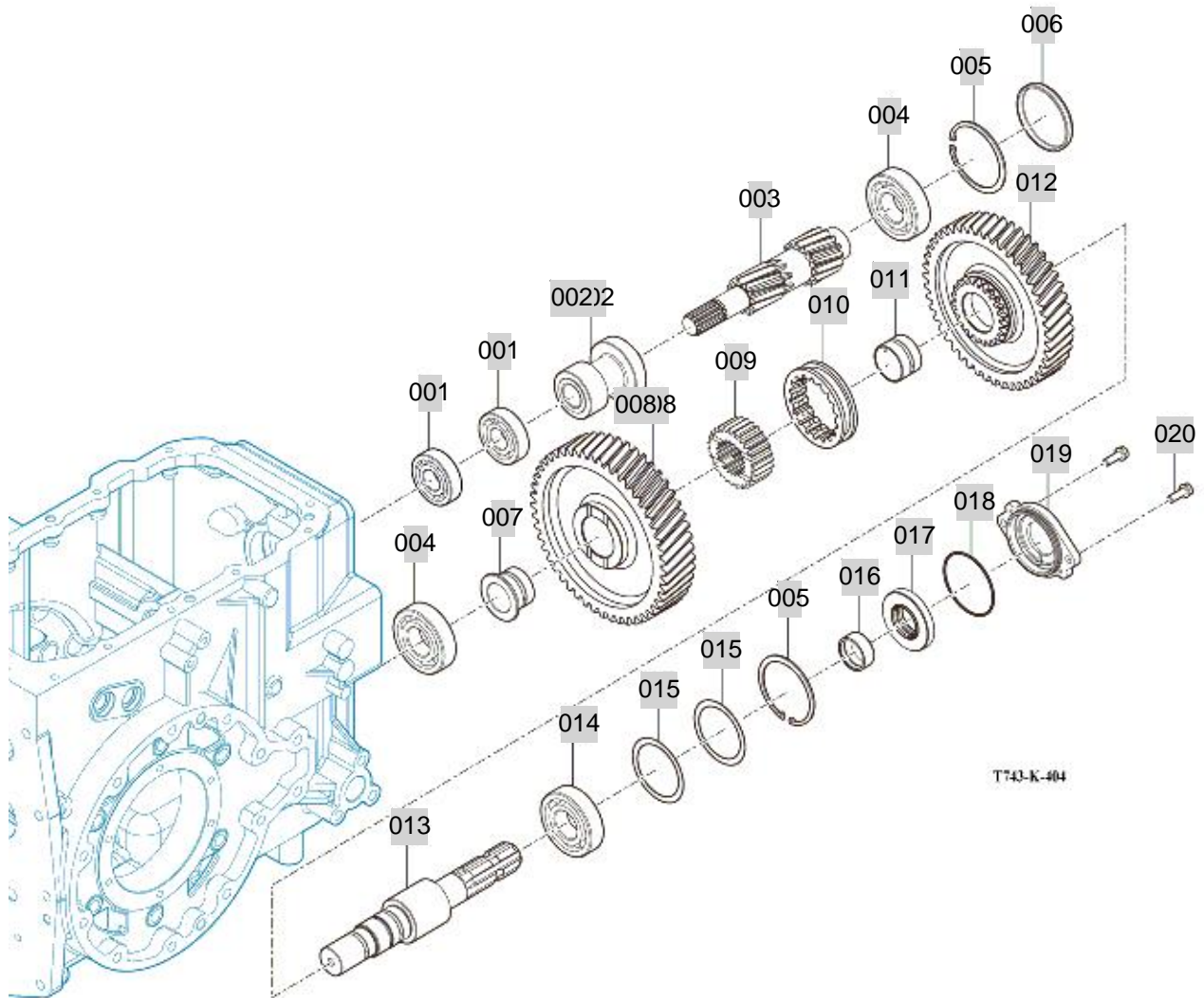
FIG 404

T754SC

P.T.O CHANGE GEARS

년/월
Year/Month

2020.07



NOTE

FIG 405

P.T.O CHANGE SHIFTER

년/월
Year/Month

2020.07

T754SC

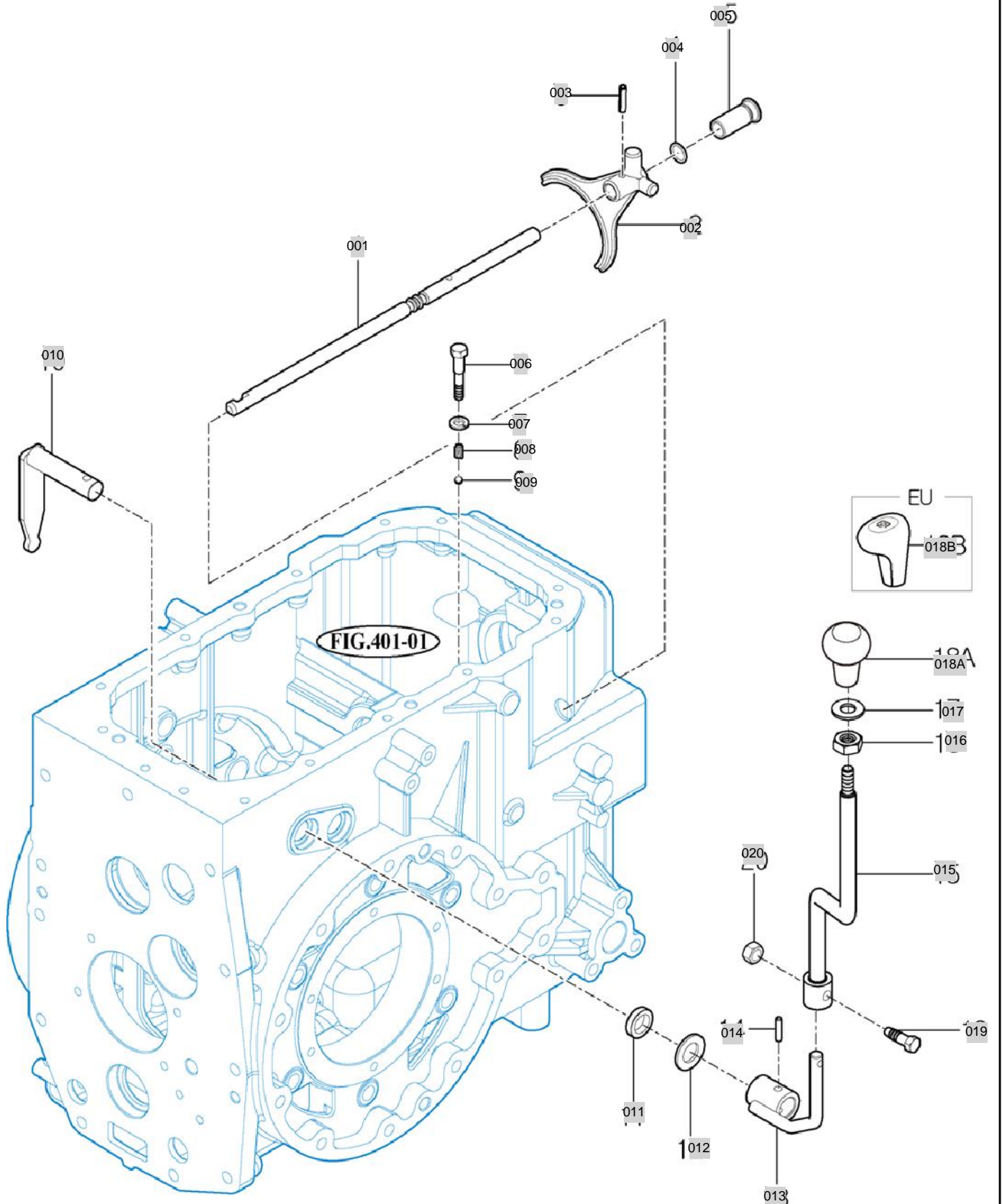


FIG.401-01

T754-K-405

NOTE

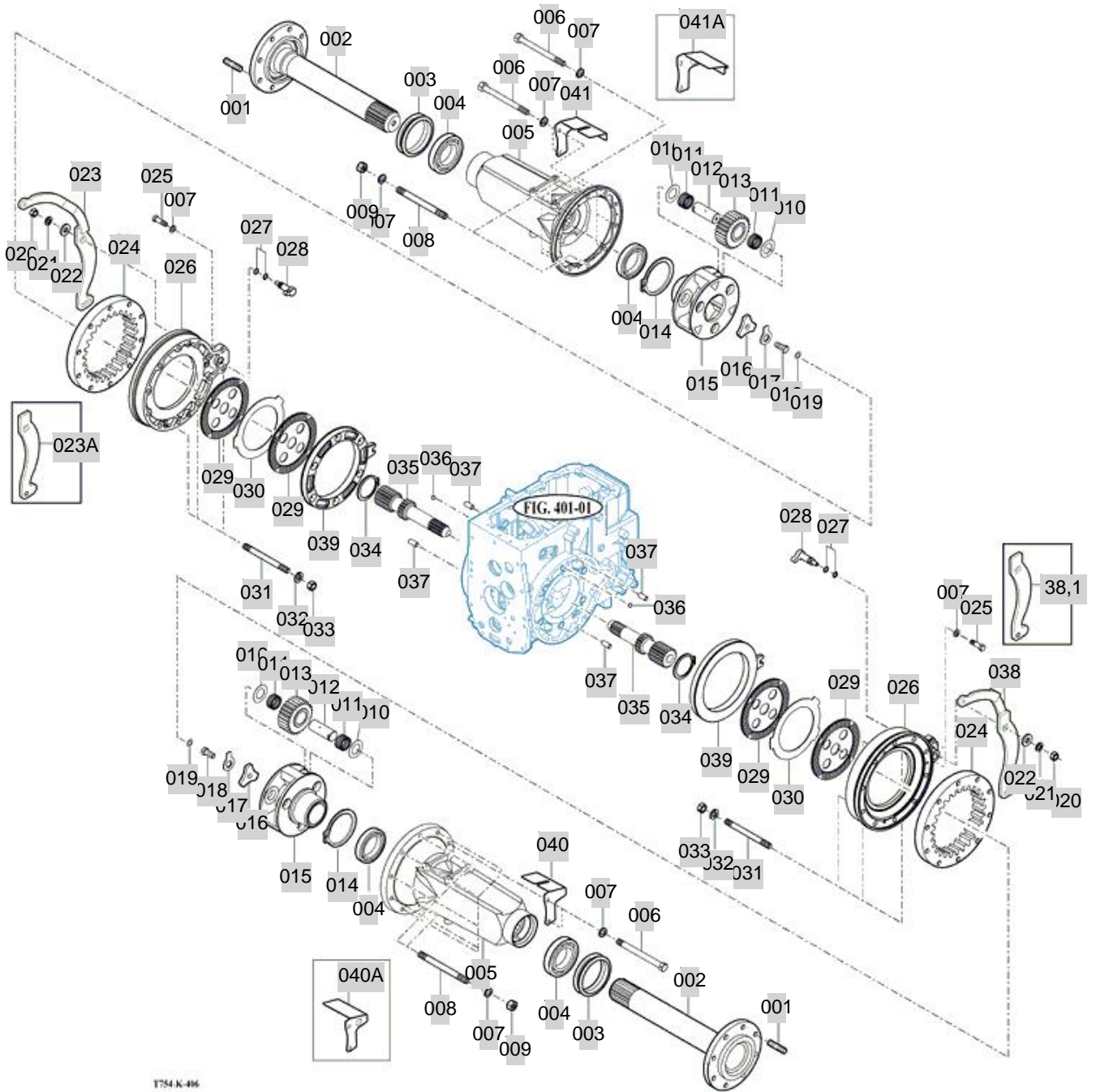
FIG 406

T754SC

HOUSING , RR AXLE

년/월
Year/Month

2020.07



NOTE

FIG 406		HOUSING , RR AXLE					년/월 Year/Month		
							2020.07		
T754SC		KEY NO	PART NO	DESCRIPTION	SPEC	QTY	REPAIR	EFFECTIVE DATE	REMARKS
406	001	17973040050	BOLT , STUD	D=22	16			20110122	
406	002	10012450022	SHAFT, RR WHEEL	1X1X1	2				
406	003	17973041000	SEAL ASSY , MECHANICAL	1X1X1	2				
406	004	V6321132012	BEARING , TAPER-ROLLER (32012J)	32012DJ	4				
406	005	10012450013M	AXLE HOUSING, RR	1X1X1	2				
406	006	V2014614125	BOLT , HEX	M14X125	16				
406	007	V4011600140	WASHER , SPRING	M14	24			20080701	
406	008	V2514414130	BOLT , STUD/2	M14X130	4				
406	009	V3043600140	NUT , HEX/2	M14	4			20080701	
406	010	10012470040	COLLAR , 31X58X1	T=1.0	12				
406	011	V6544304220	BEARING , NEEDLE ROLLER- K304220	KT304220	12				
406	012	10012470061	PIN30X83	1X1X1	6				
406	013	10012470051	GEAR , SPUR 25T	1X1X1	6				
406	014	V7041401250	C-RING , SHAFT	125	2				
406	015	10012470031M	CARRIER , PLANET	1X1X1	2				
406	016	19022470070	WASHER , STOP	T=10.0	2				
406	017	19022470081	STOPPER	T=4.0	2				
406	018	10012470070	BOLT, HEX FINE	HEX=24	2				
406	019	V7201024022	O-RING , P	P22	2				
406	020	V3043600120	NUT , HEX/2	M12	2			20040901	
406	021	V4011600120	WASHER , SPRING	M12	2				
406	022	14723270061	WASHER , 13X30X4	T=4.0	2				
406	023	18013273200	ARM COMP(RH) , BRAKE	9T	1				
406	023A	18053270010	ARM, BRAKE		1				US Only
406	024	10012470021	GEAR , RING65T	1X1X1	2				
406	025	V2013614045	BOLT , HEX	M14X45	4				
406	026	10012480031M	CASE, BRAKE	1X1X1	2				
406	027	V7201024018	O-RING , P	P18	4				
406	028	10012480040M	CAM , BRAKE	1X1X1	2				
406	029	10012482100	PLATE COMP.DISC	1X1X1	4				
406	030	10012480020	PLATE , SEPARATE	T=3.2	2				
406	031	V2513408080	BOLT , STUD/2	M8X80	6				
406	032	V4011600080	WASHER , SPRING	M8	6			20081201	
406	033	V3042600080	NUT , HEX/2	M8	6			20081201	
406	034	V7041400650	C-RING , SHAFT	65	2				
406	035	10012470010	GEAR , SPUR13T	1X1X1	2				
406	036	V6802000019	BALL , STEEL	19/32	12				
406	037	V5201012025	PIN , PARALLEL/A	12X25	4				
406	038	18013273100	ARM COMP(LH) , BRAKE	9T	1				
406	039	10012480011M	METAL, BRAKE	1X1X1	2				
406	040	18023272100	COVER COMP , LH BRAKE		1				
406	040A	10013272100	COVER COMP, LH BRAKE	1X1X1	1				US Only
406	041	18023272200	COVER COMP , RH BRAKE		1				
406	041A	10013272200	COVER COMP, RH BRAKE	1X1X1	1				US Only
406	308A	18053270010	ARM, BRAKE		1				US Only
NOTE									

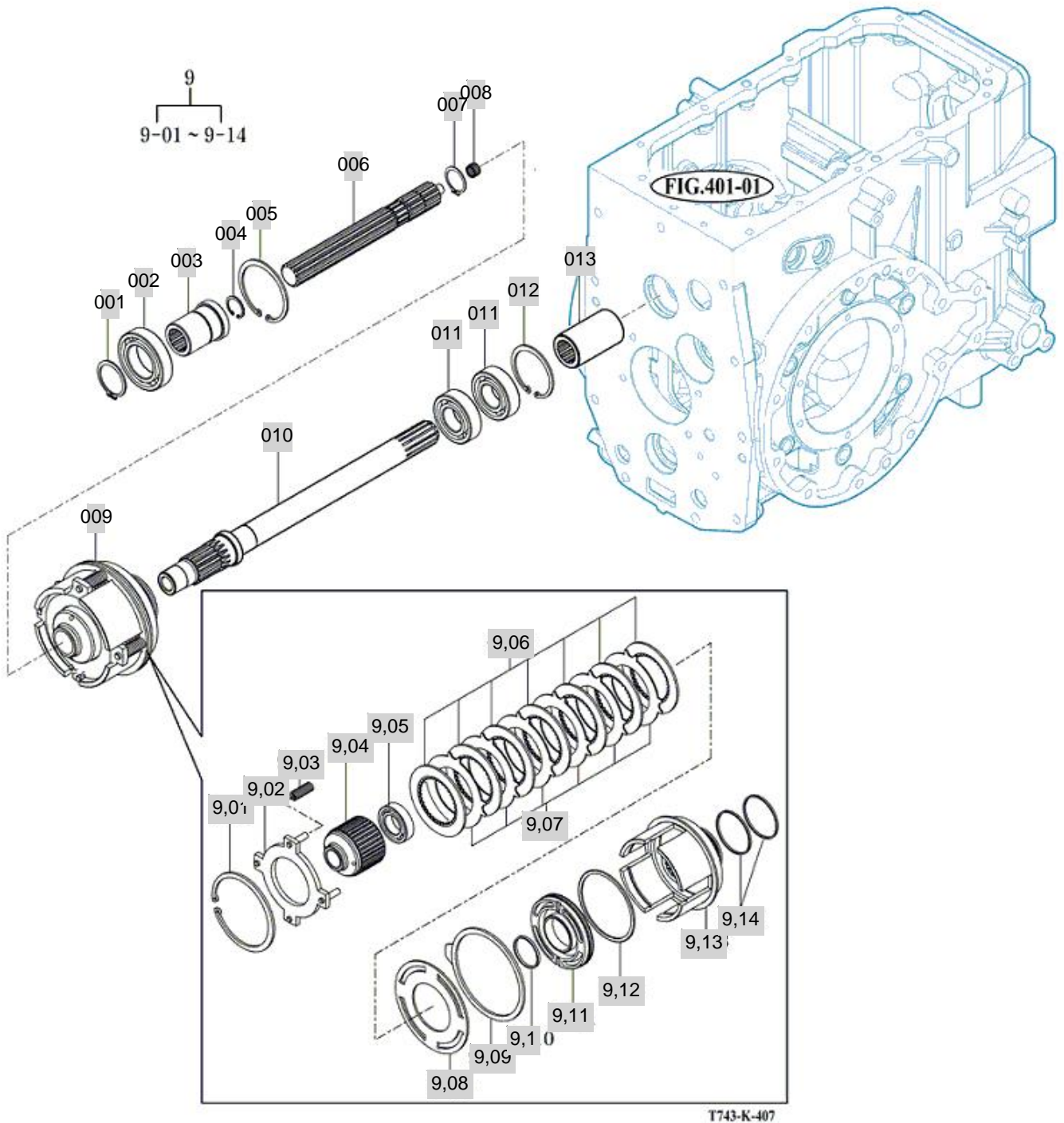
FIG 407

T754SC

P.T.O DRIVE SHAFT

년/월
Year/Month

2020.07



NOTE

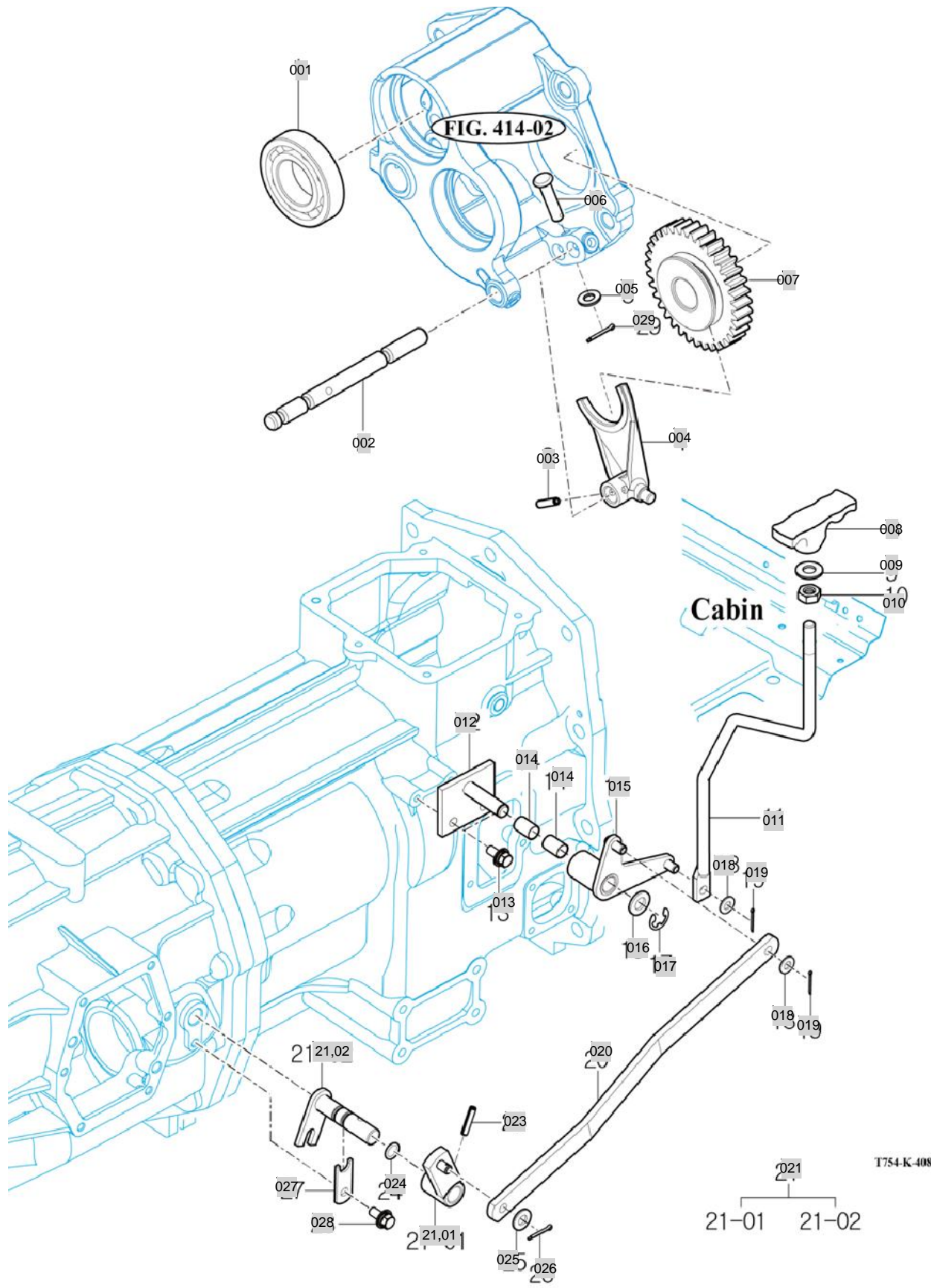
FIG 408

T754SC

CREEP CHANGE

년/월
Year/Month

2020.07



NOTE

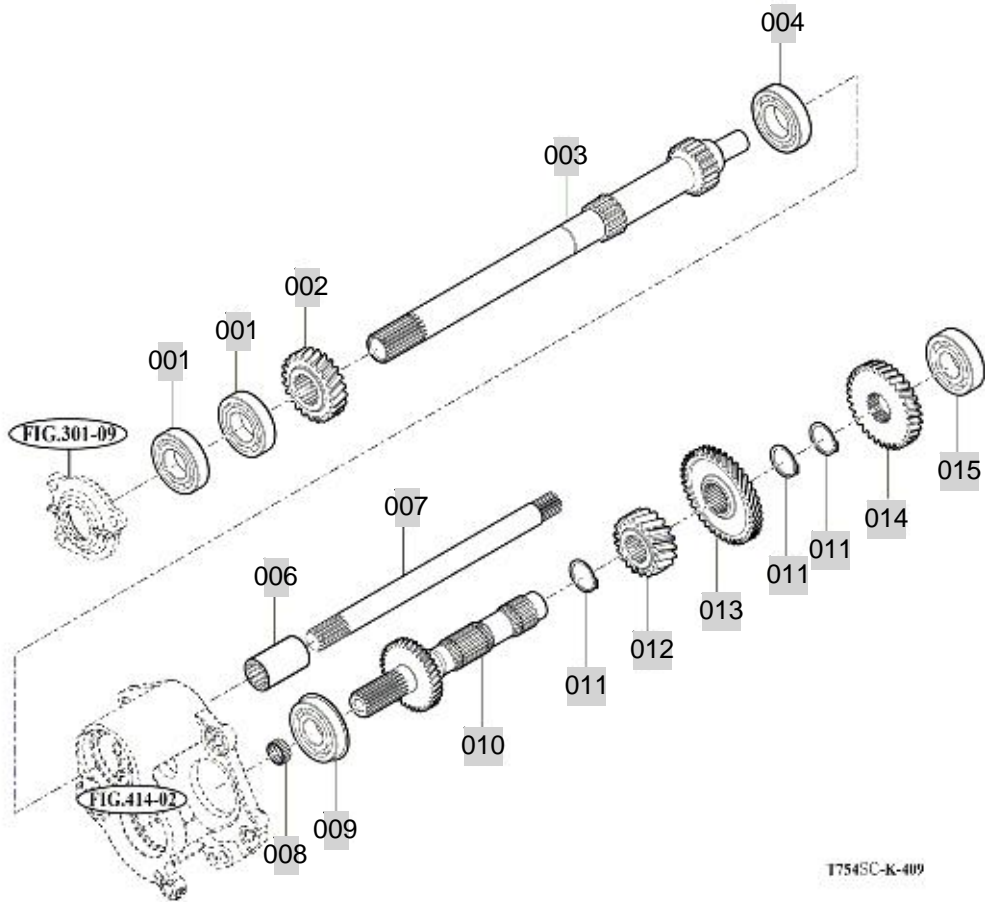
FIG 409

T754SC

INPUT & COUNTER GEARS

년/월
Year/Month

2020.07



NOTE

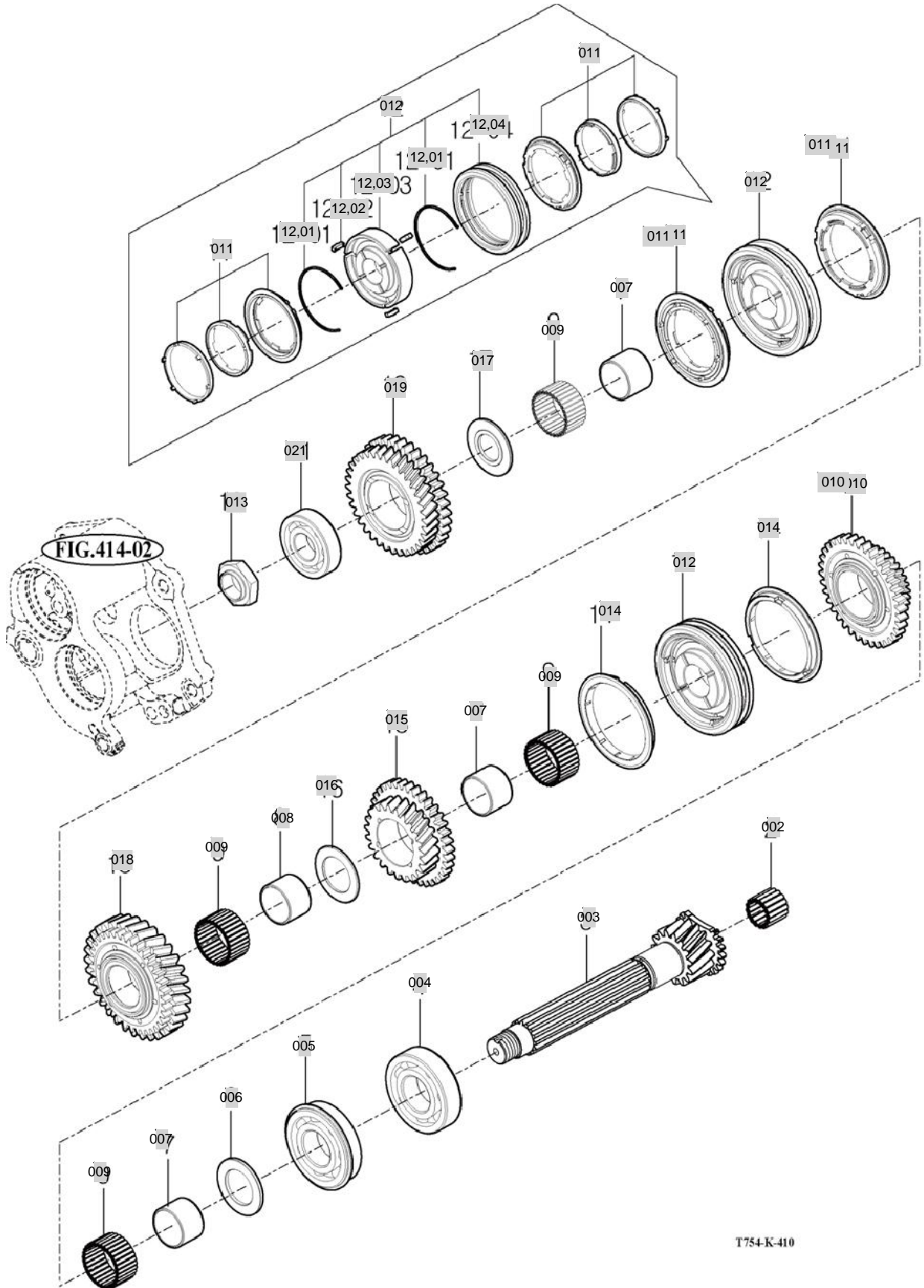
FIG 410

CHANGE GEARS

년/월
Year/Month

2020.07

T754SC



T754-K-410

NOTE

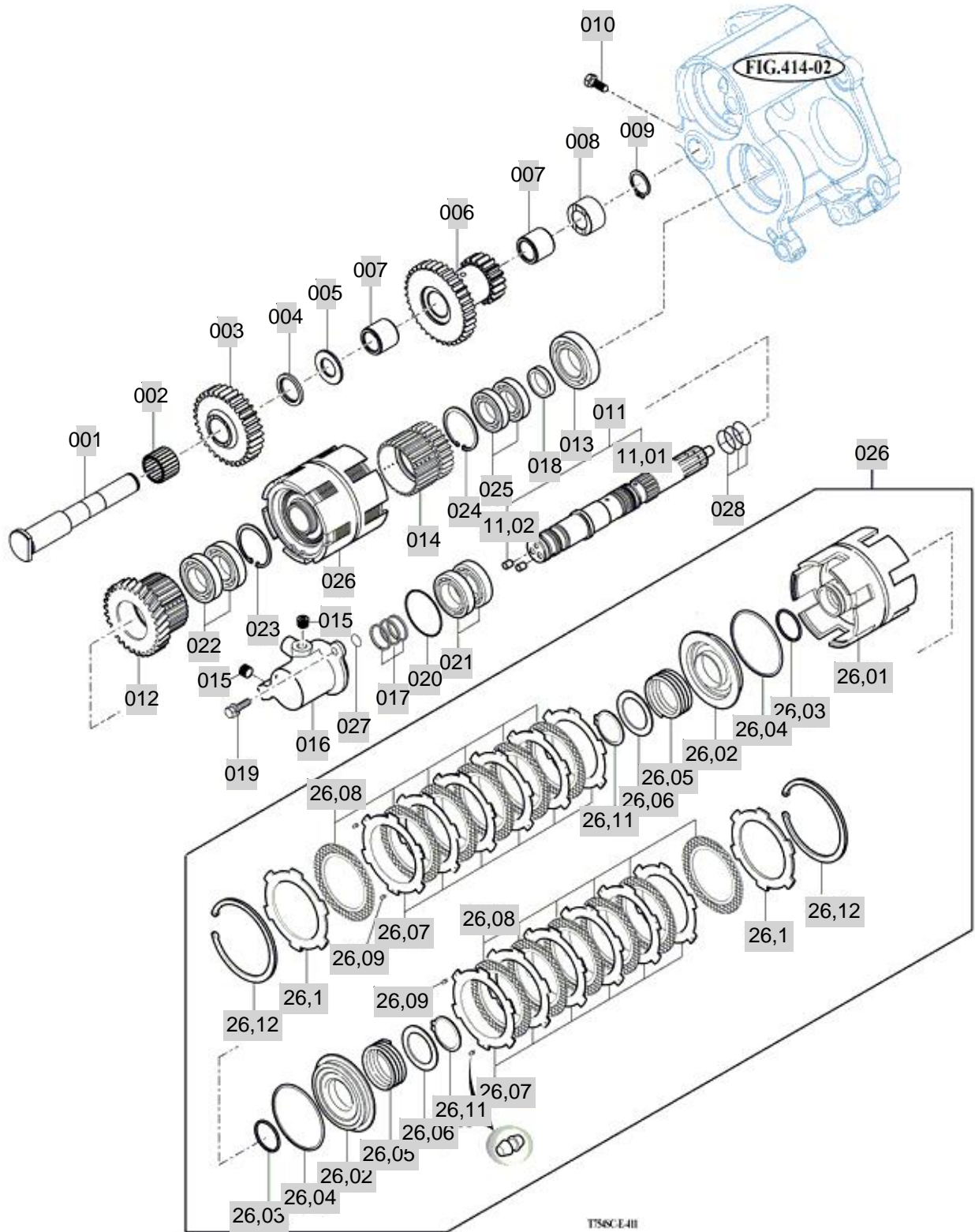
FIG 410		CHANGE GEARS					년/월 Year/Month		
							2020.07		
T754SC		KEY NO	PART NO	DESCRIPTION	SPEC	QTY	REPAIR	EFFECTIVE DATE	REMARKS
410	002	V6544253530	BEARING , NEEDLE CAGED-	K253530H	2				
410	003	18022240011	GEAR , HELICAL 15T	K253530H	1				
410	004	V6001106308	BEARING , BALL	6308	1				
410	005	18022240090	BALL BEARING (6308HL1NR)	6308HL1NR	1				
410	006	18022240060	COLLAR , 40X64X3		1				
410	007	19022220061	BUSH , 40X50X31	1X1X1	3				
410	008	18022240080	BUSH , 40X50X34		1				
410	009	V6544455330	BEARING , NEEDLE CAGED-	KT455330H	1				
410	010	18032242400	COMP GEAR , HELICAL 26T		1				2017.11.01~ (US)
410	010	18032242400	COMP GEAR , HELICAL 26T		1				2018.05.01~ (EU)
410	011	18022242201	RING ASSY , SYNCHRO		2				2018.01.08~ (US)
410	011	18022242201	RING ASSY , SYNCHRO		2				2018.01.08~ (EU)
410	012	18022242100	HUB ASSY , SYNCHRO		2				
410	013	14573020041	NUT , M30 P1.5	B=46	1				
410	014	19022222141	BLOCKRING , SYNCHRO		2				US
410	014	19022222141	BLOCKRING , SYNCHRO		2				2018.05.01~ (EU)
410	015	18032242300	GEAR COMP , HELICAL 22T		1				2017.11.01~ (US)
410	015	18032242300	GEAR COMP , HELICAL 22T		1				2018.05.01~ (EU)
410	016	19022220030	WASHER , 40X64X4.5	D=65	1				
410	017	18022240071	WASHER , 30X64X4		1				
410	018	18022242602	COMP GEAR , HELICAL 36T		1				
410	019	18022242501	COMP GEAR , HELICAL 31T		1				
410	021	V6041106306	BEARING , BALL/HL1	6306HL1	1				
410	012-01	19022222130	SPRING , SYNCHRO	1X1X1	4				
410	012-02	19022222120	INSERT , SYNCHRO	1X1X1	6				
410	012-03	19022222110	HUB , SYNCHRO	1X1X1	2				
410	012-04	18022242110	SLEEVE , SYNCHRO		2				
NOTE									

FIG 411

REVERSE GEARS

년/월
Year/Month

2020.07



NOTE

FIG 411		REVERSE GEARS					년/월 Year/Month		
							2020.07		
T754SC		KEY NO	PART NO	DESCRIPTION	SPEC	QTY	REPAIR	EFFECTIVE DATE	REMARKS
411	001	19962170161	SHAFT	D30	1				
411	002	15683020010	BEARING , NEEDLE 253224	KT253224E02C 3	1				
411	003	18012173210	GEAR , SPUR 32T	1X1X1	1				
411	004	15933070521	COLLAR , 26X35X03	T=3	1				
411	005	16992990040	COLLAR , 38X20.1X3.0		1				
411	006	17972820020	GEAR , .SPUR 35-18T		1				
411	007	16992610070	BEARING , NEEDLE CAGED	KT20*28*25	2				
411	008	17972820080	HUB	1X1X1	1				
411	009	V7041400200	C-RING , SHAFT	20	1				
411	010	17972141600	BOLT , SET SEAL LOCK	M8X25	1				
411	011	18172172000	SHAFT , REVERSE SUB		1				
411	012	18172172210	GEAR (H/28)		1				US
411	012	18182172210	GEAR (H/26)		1				EU
411	013	V6001106306	BEARING , BALL	6306	1				
411	014	19962170101	GEAR (S/28T)		1				
411	015	V7801000002	PLUG , HEX-SOCKET	R1/8	1				
411	016	19962170251M	METEA (F/R)	1X1X1	1				
411	017	19962170271	SEALING	1X1X1	3				
411	018	19962170281	COLLOR (30X40X9.45)	(30X40X09)	1				
411	019	V2173608020	BOLT , HEX/S	M8X20	2			20120501	
411	020	19961020059	O RING (S59)	1X1X1	1				
411	021	V6001106007	BEARING , BALL	6007	2				
411	022	V6001106007	BEARING , BALL	6007	2				
411	023	V7051400620	C-RING , HOLE	62	1				
411	024	V7051400550	C-RING , HOLE	55	1				
411	025	V6001106006	BEARING , BALL	6006	2				
411	026	19962092002	CLUTCH PACK , F/R		1				
411	027	V7201024012	O-RING , P	P12	1				
411	028	V7231020032	O-RING , S	S32	3				
411	01101	18172172170	SHAFT , REVERSE		1				
411	01102	19022123110	AVSEAL(6)	6	2			20110711	
411	02601	19962092110	CLUTCH BODY	1X1X1	1				
411	02602	19962093200	PISTON (F/Q)	1X1X1	2				
411	02603	19962093300	D RING	1X1X1	2				
411	02604	19962093400	D RING	1X1X1	2				
411	02605	19962093500	RETURN SPRING	1X1X1	2				
411	02606	19962093600	SPRING SEAT	1X1X1	2				
411	02607	19962093700	CLUTCH PAN T	1X1X1	12				
411	02608	19842093801	CLUTCH DISK		12				
411	02609	19962093900	GAP RUBBER	1X1X1	18				
411	02610	19962094000	PRESS, PLATE	1X1X1	2				
411	02611	19962094120	SNARING (F/Q)	1X1X1	2				
411	02612	V7041400450	C-RING , SHAFT	45	2				
NOTE									

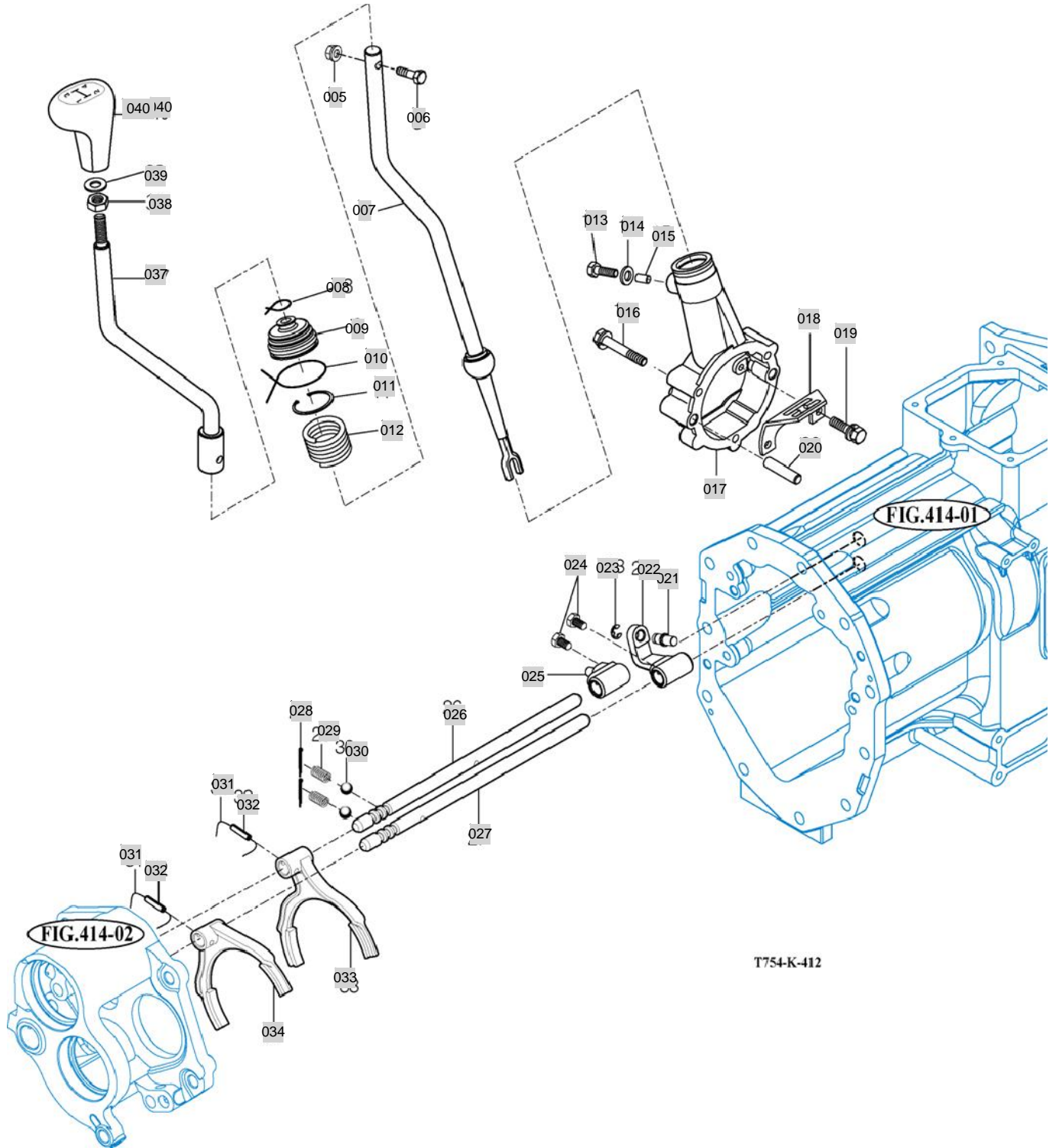
FIG 412

T754SC

MAIN CHANGE LEVER

년/월
Year/Month

2020.07



NOTE

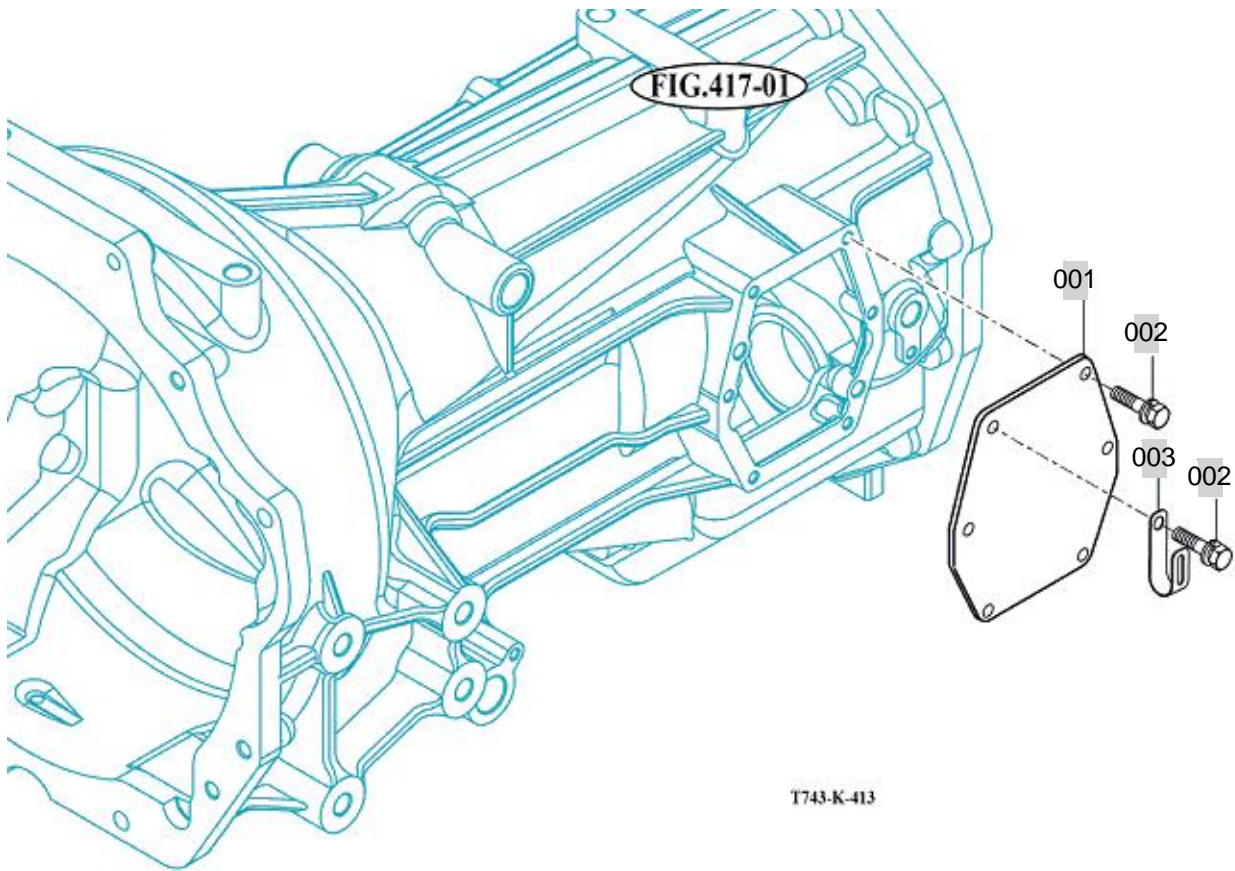
FIG 413

SUB CHANGE LEVER

년/월
Year/Month

T754SC

2020.07



T743-K-413

NOTE

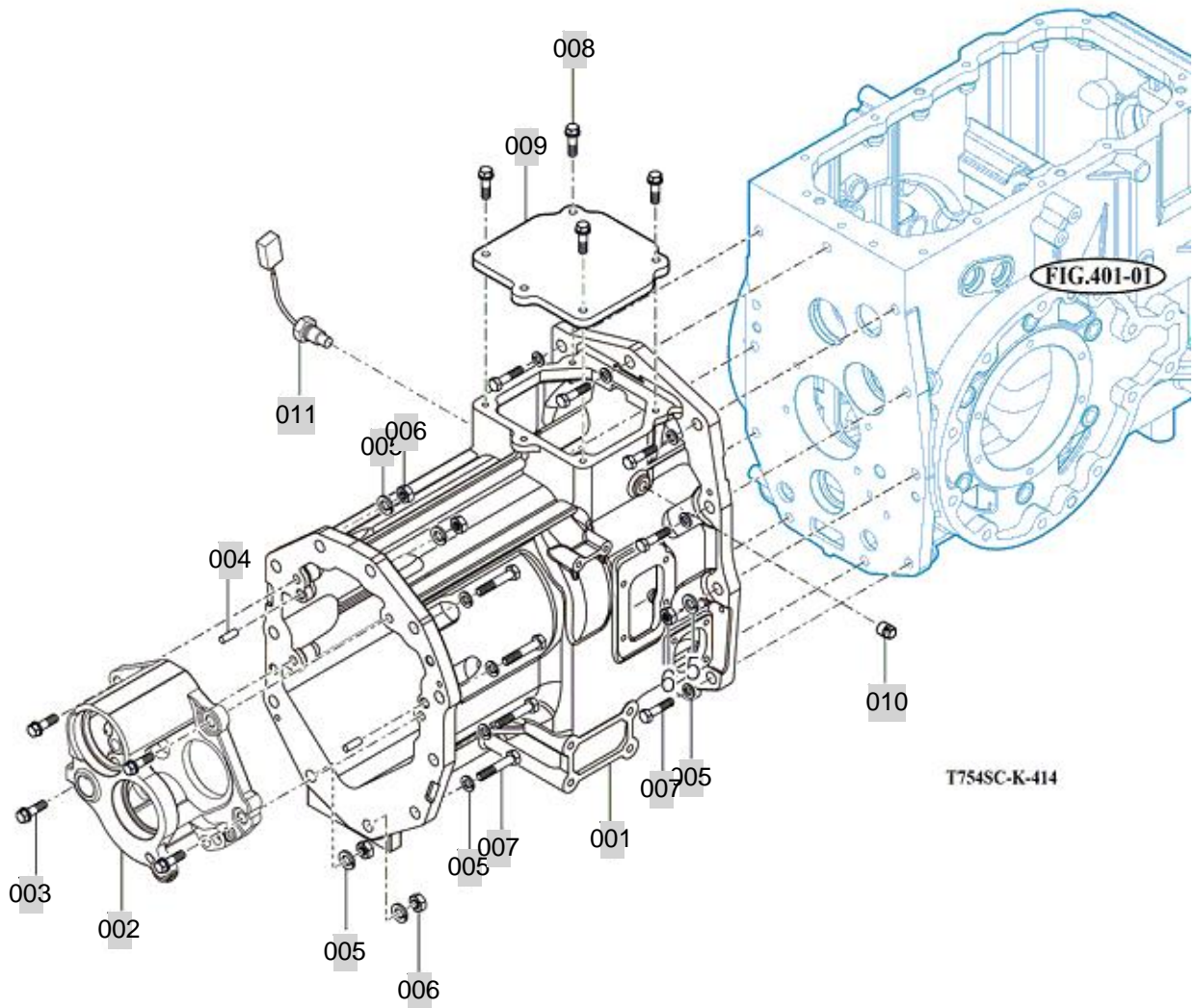
FIG 414

T754SC

TRANSMISSION MID CASE

년/월
Year/Month

2020.07



NOTE

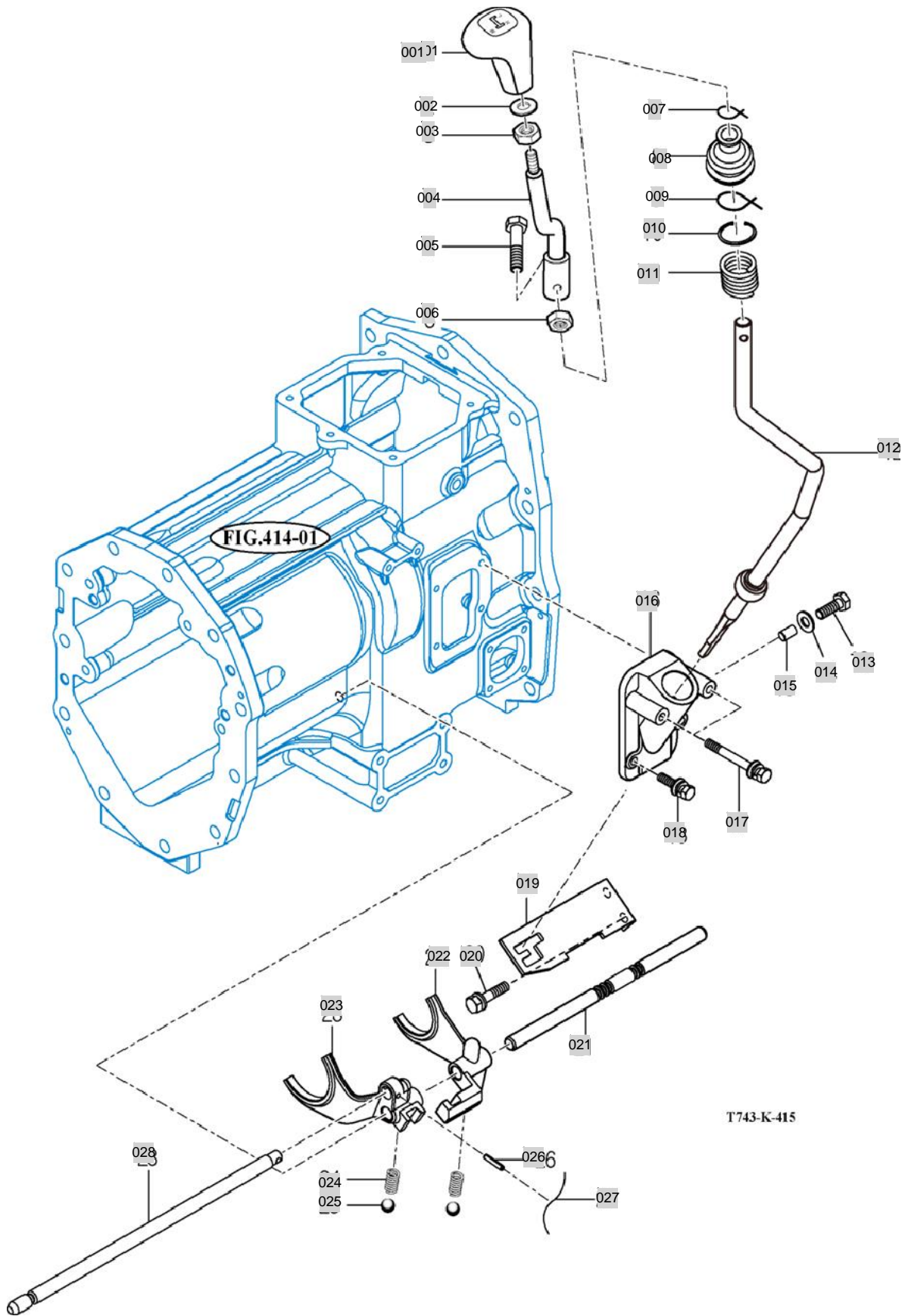
FIG 415

T754SC

SUB CHANGE SHIFTER

년/월
Year/Month

2020.07



NOTE

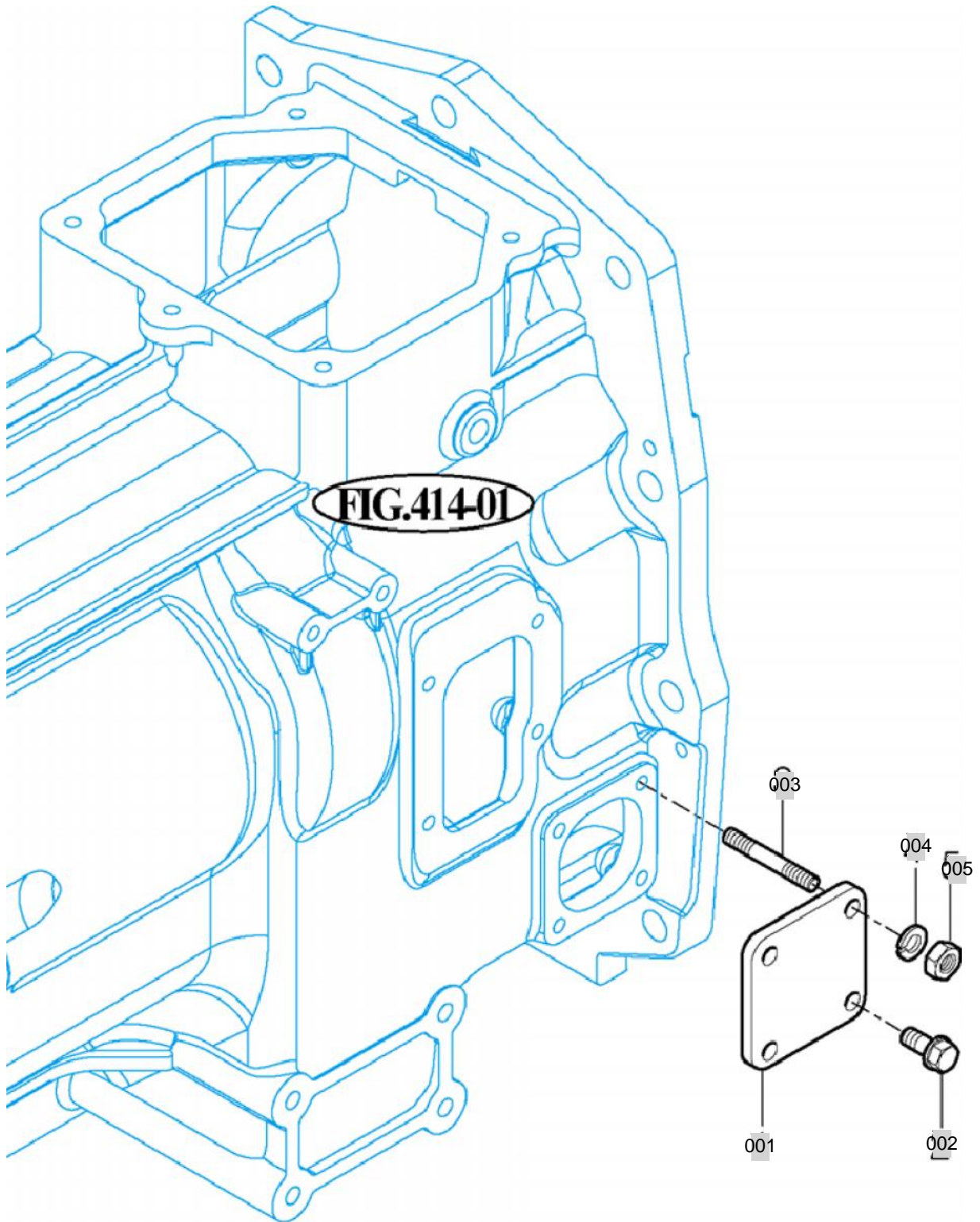
FIG 416

4WD CHANGE LEVER

년/월
Year/Month

T754SC

2020.07



T754SC-K-416

NOTE

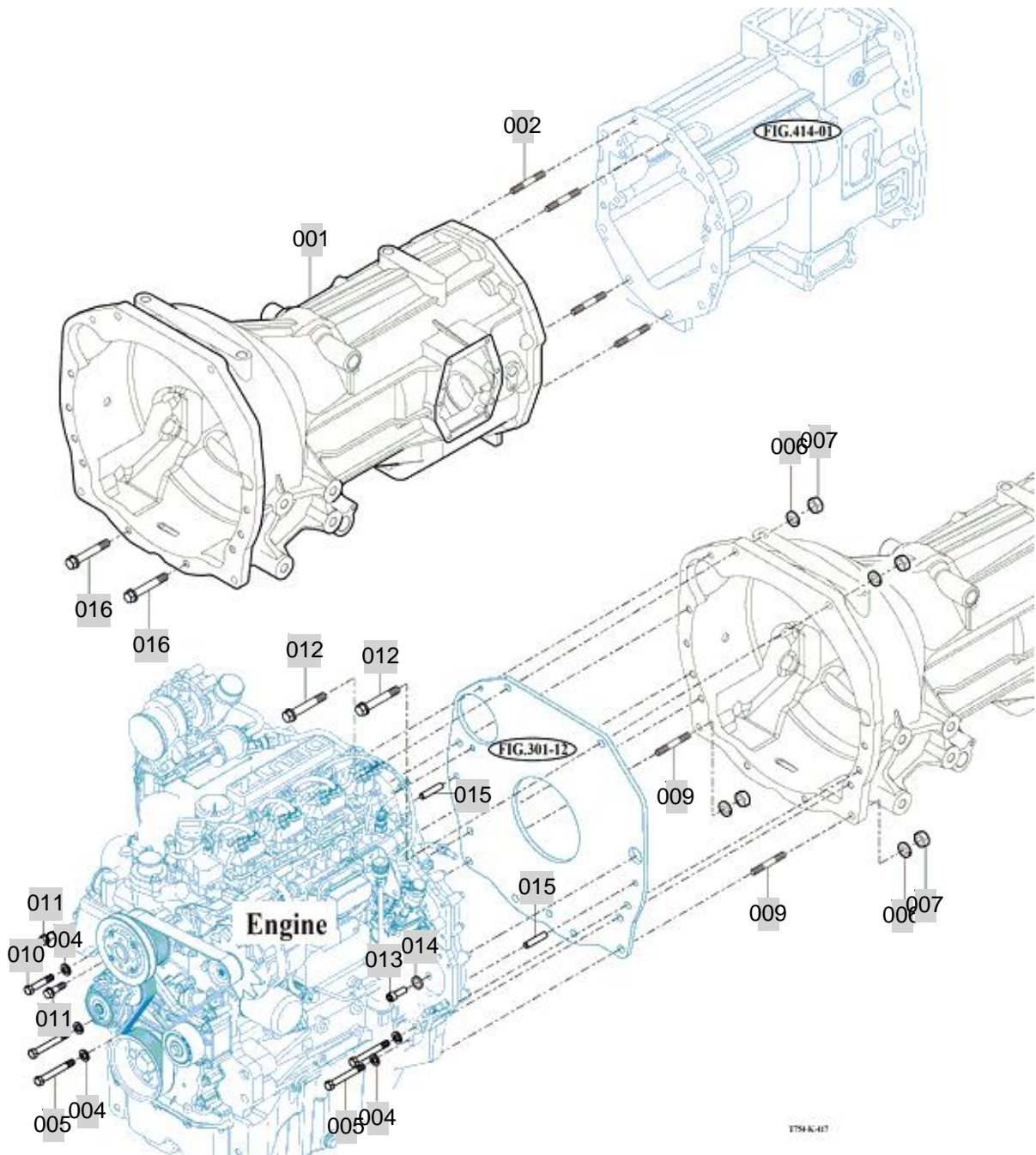
FIG 417

T754SC

TRANSMISSION FRONT CASE

년/월
Year/Month

2020.07



NOTE

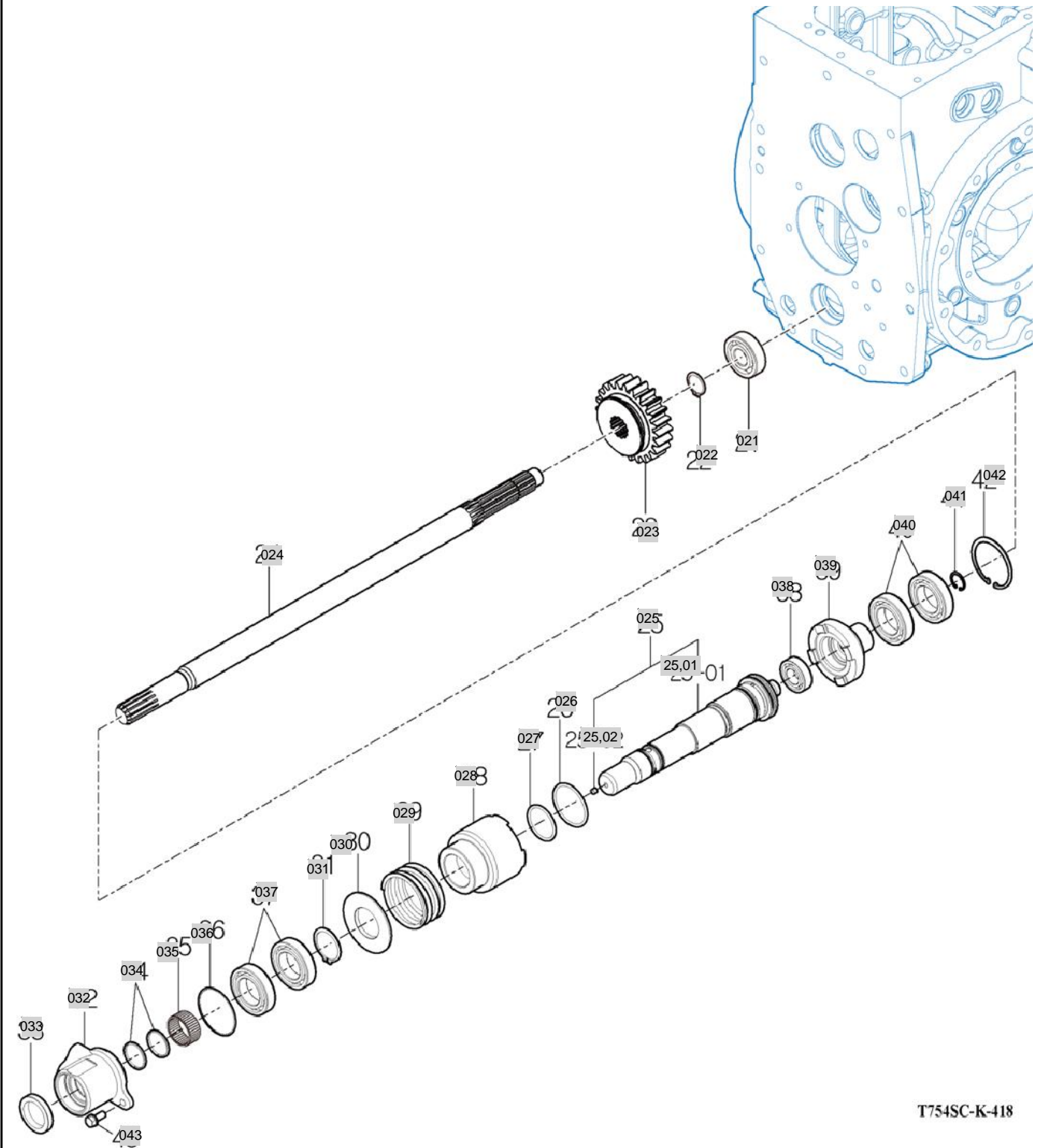
FIG 418

DRIVE GEARS(US)

년/월
Year/Month

2020.07

T754SC



T754SC-K-418

NOTE

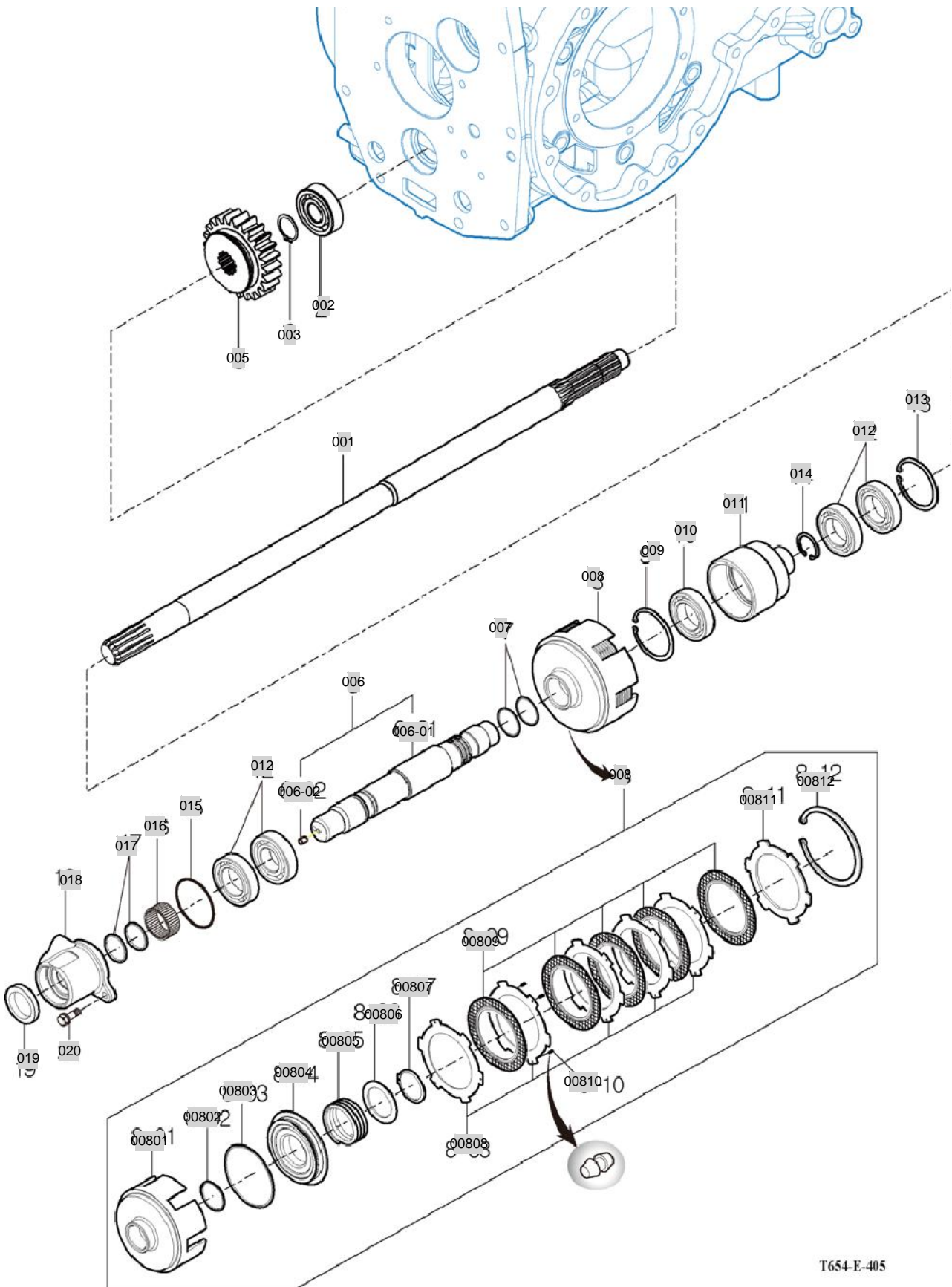
FIG 418-2

DRIVE GEARS(EU)

년/월
Year/Month

T754SC

2020.07



T654-E-405

NOTE

5. FRONT AXLE,SUPPORTER & DRIVE SHAFT PART NO.
T754SC-C5

FIG 501 FRONT AXLE SUPPORT	138
FIG 502 FRONT DRIVE SHAFT	140
FIG 503 FRONT AXLE HOUSING	142
FIG 504 FRONT DIFFERENTIAL GEAR	144
FIG 505 FRONT GEAR CASE (1)	146
FIG 506 FRONT GEAR CASE (2)	148
FIG 507 FRONT GEAR CASE (3)	150

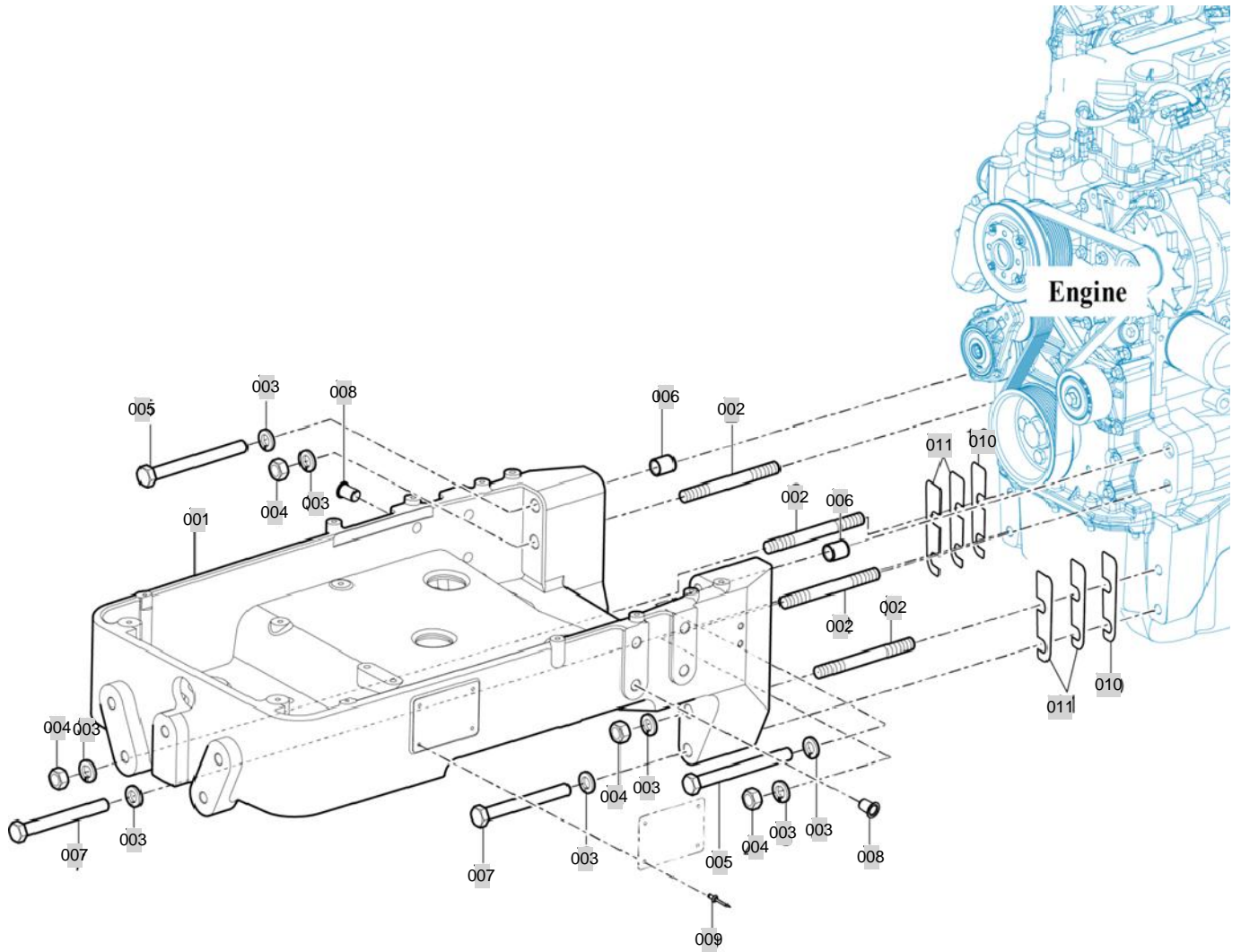
FIG 501

FRONT AXLE SUPPORT

년/월
Year/Month

2020.07

T754SC



T754-K-501

NOTE

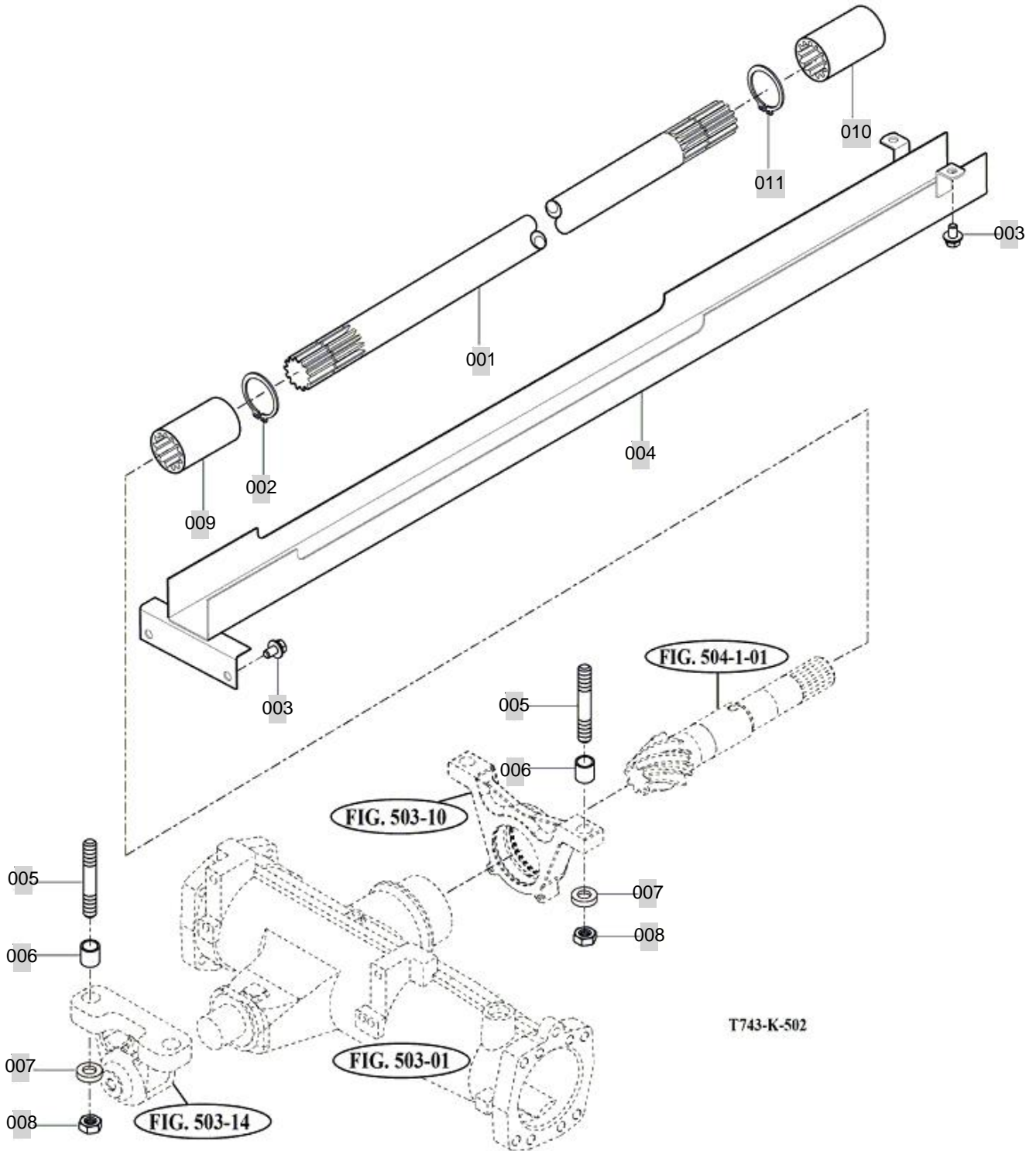
FIG 502

FRONT DRIVE SHAFT

년/월
Year/Month

2020.07

T754SC



NOTE

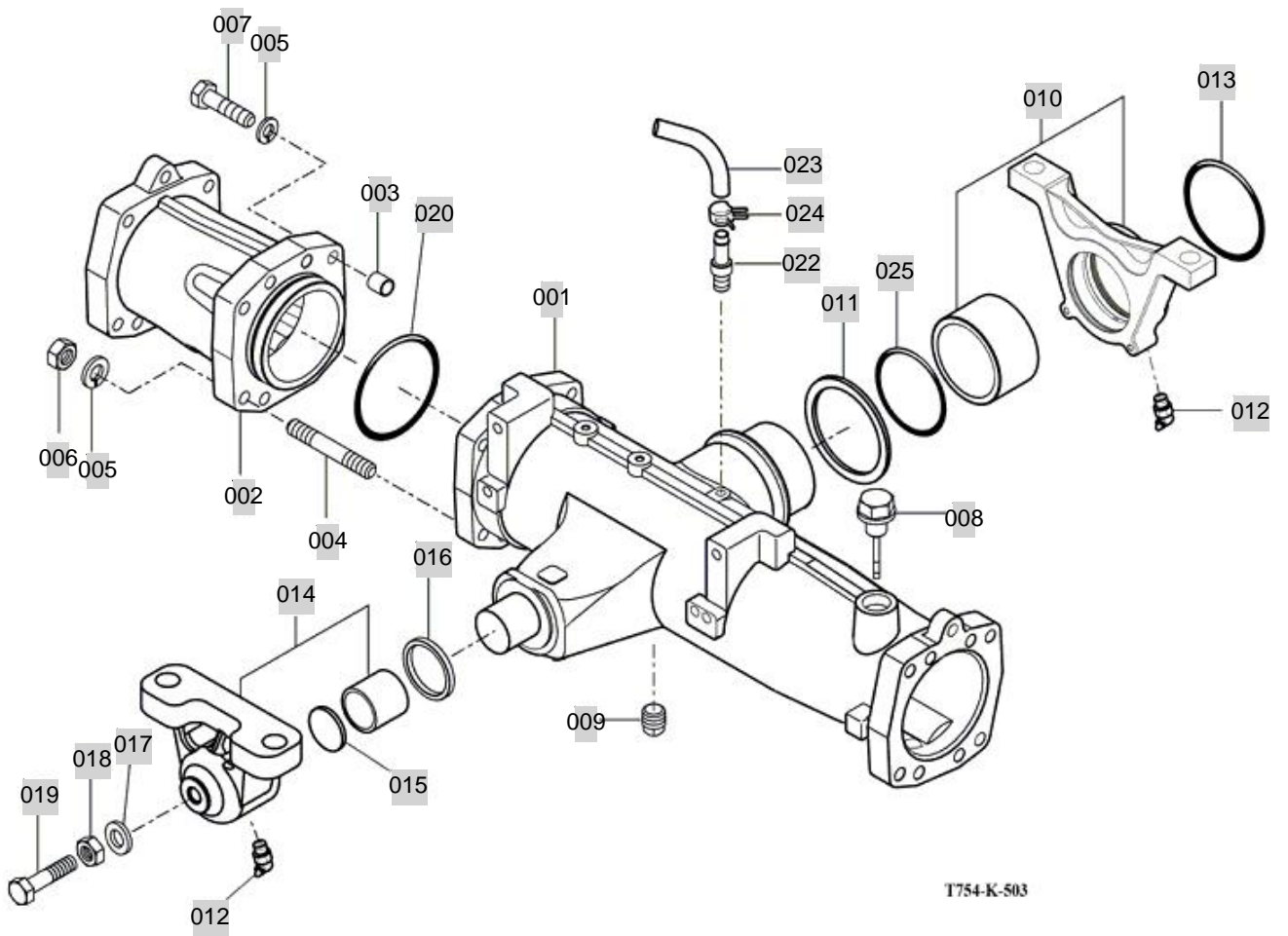
FIG 503

FRONT AXLE HOUSING

년/월
Year/Month

2020.07

T754SC



NOTE

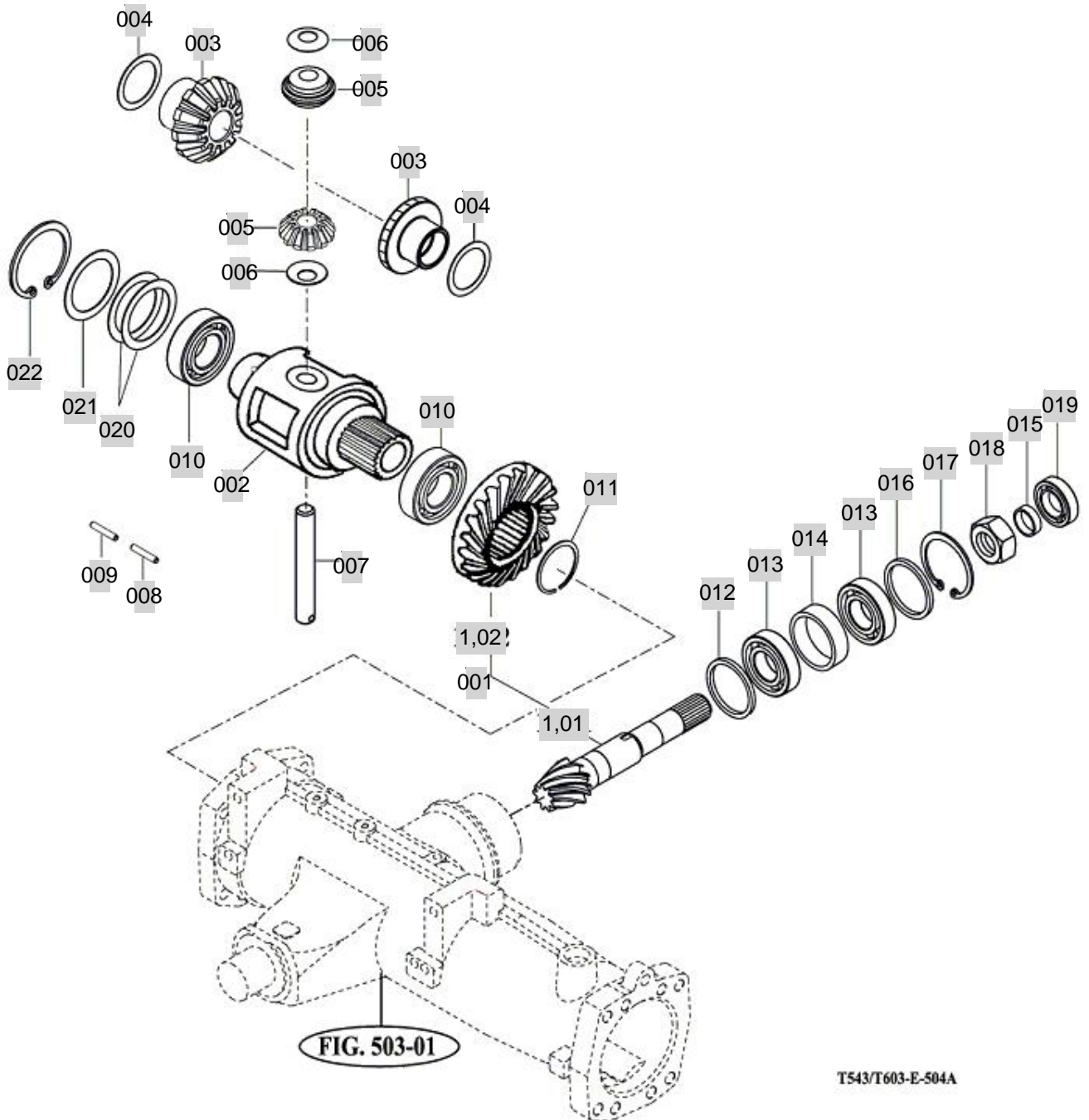
FIG 504

T754SC

FRONT DIFFERENTIAL GEAR

년/월
Year/Month

2020.07



T543/T603-E-504A

NOTE

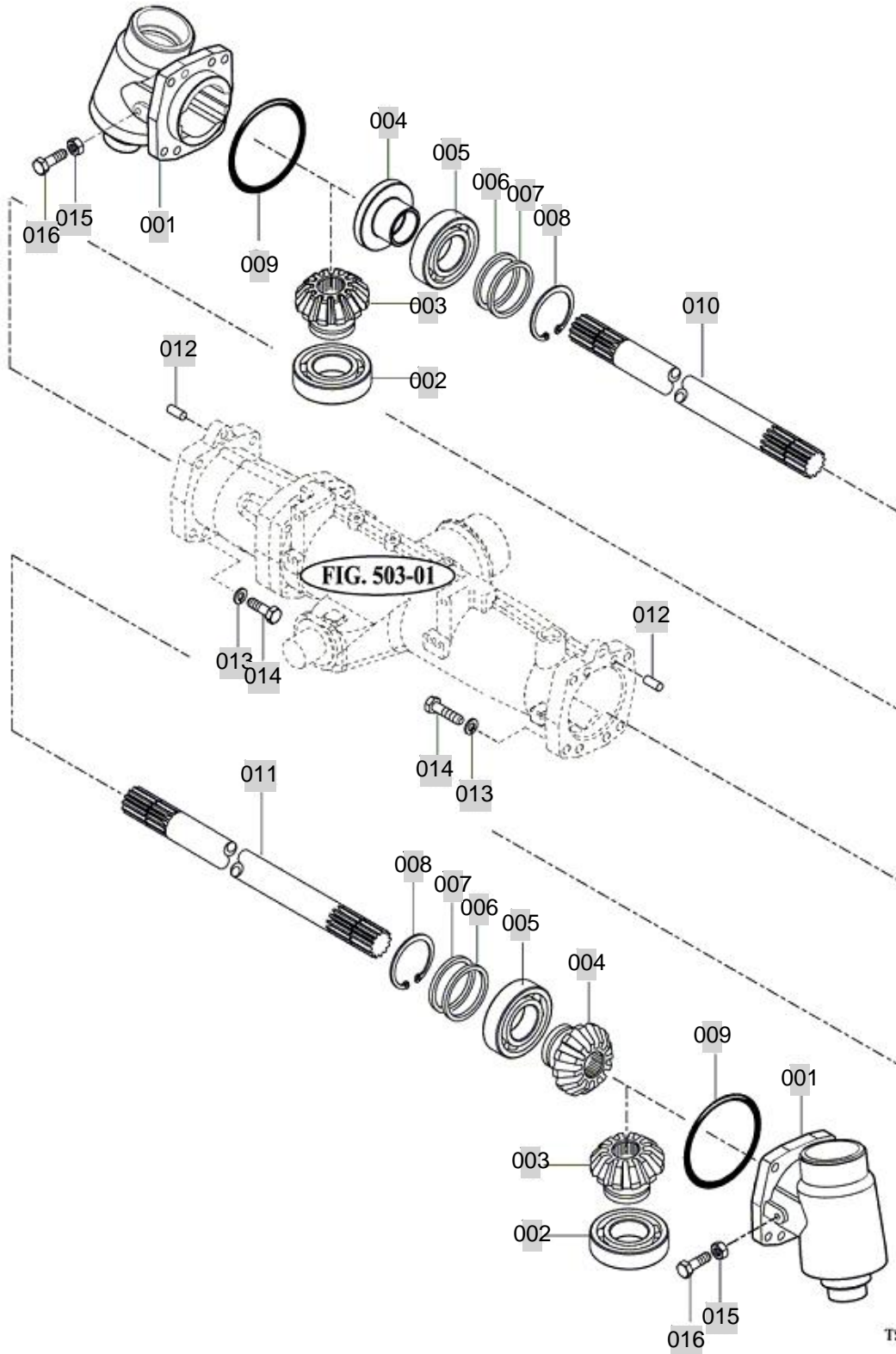
FIG 505

T754SC

FRONT GEAR CASE (1)

년/월
Year/Month

2020.07



T543/T603-E-505A

NOTE

FIG 505 T754SC		FRONT GEAR CASE (1)						년/월 Year/Month
								2020.07
KEY NO	PART NO	DESCRIPTION	SPEC	QTY	REPAIR	EFFECTIVE DATE	REMARKS	
505	001	17994350011M	CASE , FINAL		2			
505	002	V6001106308	BEARING , BALL	6308	2			
505	003	17994350030	GEAR , BEVEL 17T	1X1X1	2			
505	004	17994350040	GEAR , BEVEL 10T	1X1X1	2			
505	005	V6001106308	BEARING , BALL	6308	2			
505	006	17994350060	SHIM , 80X90X0.1	0.1T	4			
505	007	17994350070	SHIM , 80X90X1.5	1.5T	2			
505	008	V7051400900	C-RING , HOLE	90	2			
505	009	V7211031120	O-RING , G	G120	2			
505	010	17994350100	SHAFT , RH	D=28	1			
505	011	17994350110	SHAFT , LH	D=28	1			
505	012	V5201014020	PIN , PARALLEL/A	14X20	4			
505	013	V4011600140	WASHER , SPRING	M14	12		20080701	
505	014	V2014614055	BOLT , HEX	M14X55	12			
505	015	V3043600140	NUT , HEX/2	M14	2		20080701	
505	016	V2004614030	BOLT .HEX NORMAL	M14X30	2			
NOTE								

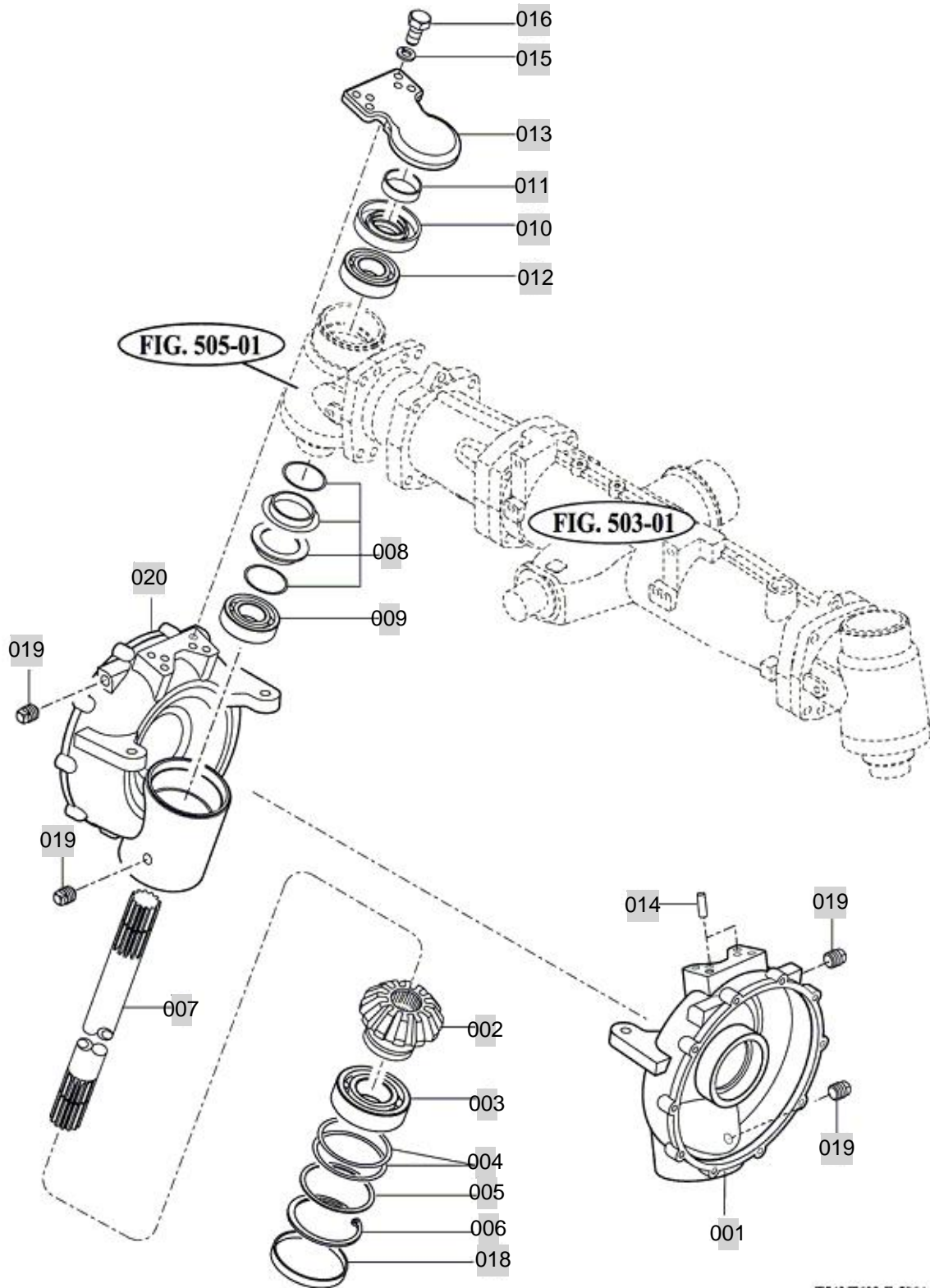
FIG 506

T754SC

FRONT GEAR CASE (2)

년/월
Year/Month

2020.07



T543/T603-E-506A

NOTE

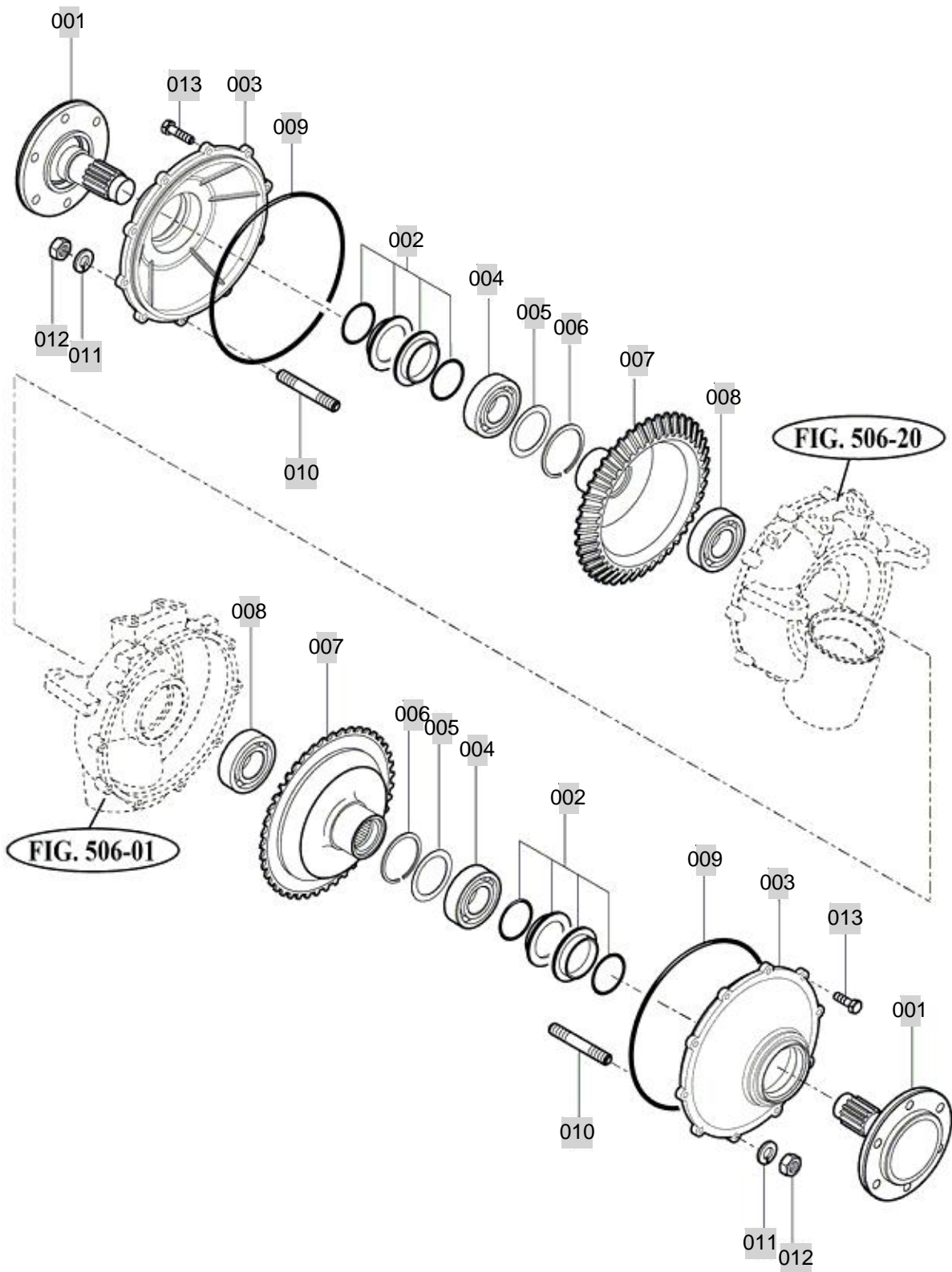
FIG 507

T754SC

FRONT GEAR CASE (3)

년/월
Year/Month

2020.07



T754-E-507

NOTE

6. HYDRAULICS & 3-POINT LINK PART NO. T754SC-C6

FIG 601 CYLINDER CASE	153
FIG 602 LIFT ARM	155
FIG 602-2 LIFT ARM (EUA)	157
FIG 603 CYLINDER	159
FIG 604 POSITION LINK	161
FIG 605 CONTROL VALVE	163
FIG 606 DRAFT LINK	165
FIG 607 POSITION & DRAFT LEVER	167
FIG 608 EXTERIOR HYD. VALVE	170
FIG 608-2 EXTERIOR HYD. VALVE (EUA)	172
FIG 609 HYDRAULIC PIPE	174
FIG 610 JOYSTICK	176
FIG 611 HITCH & 3-POINT LINK	178
FIG 611-2 HITCH & 3-POINT LINK(EU,EUA)	181
FIG 612 LOWER LINK & LIFT ROD	184
FIG 613 HYDRAULIC HOSE	186

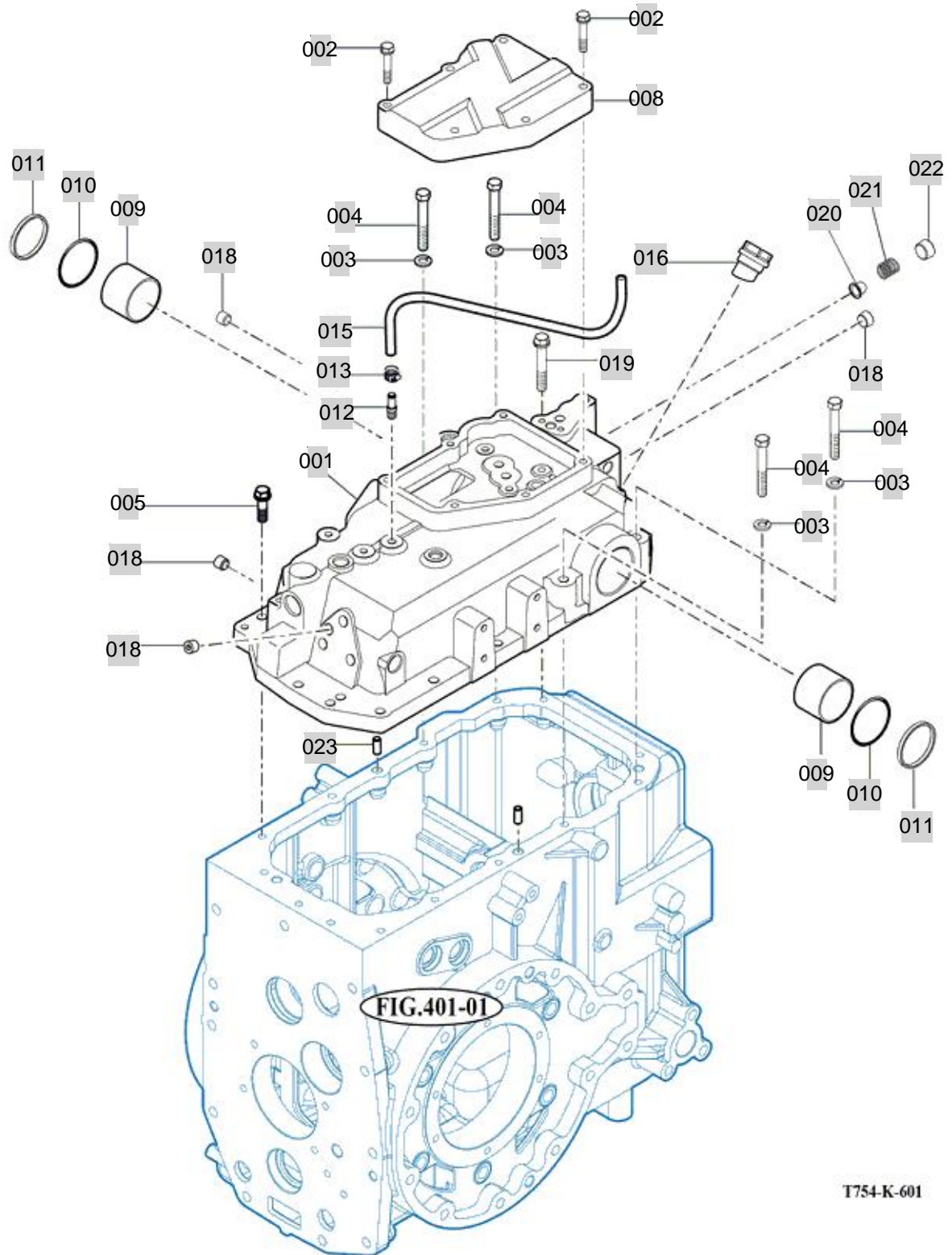
FIG 601

T754SC

CYLINDER CASE

년/월
Year/Month

2020.07



T754-K-601

NOTE

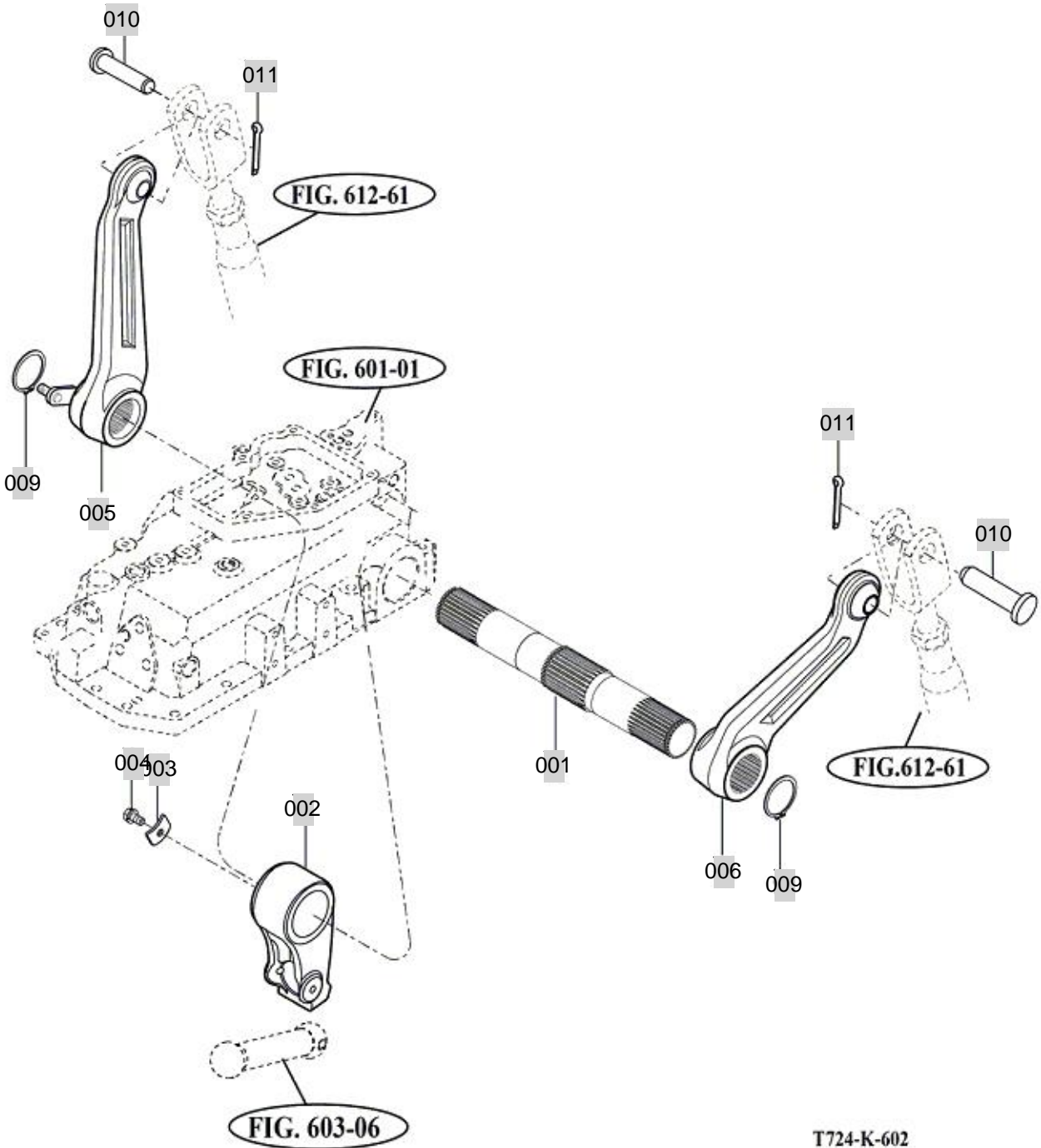
FIG 602

T754SC

LIFT ARM

년/월
Year/Month

2020.07



T724-K-602

NOTE

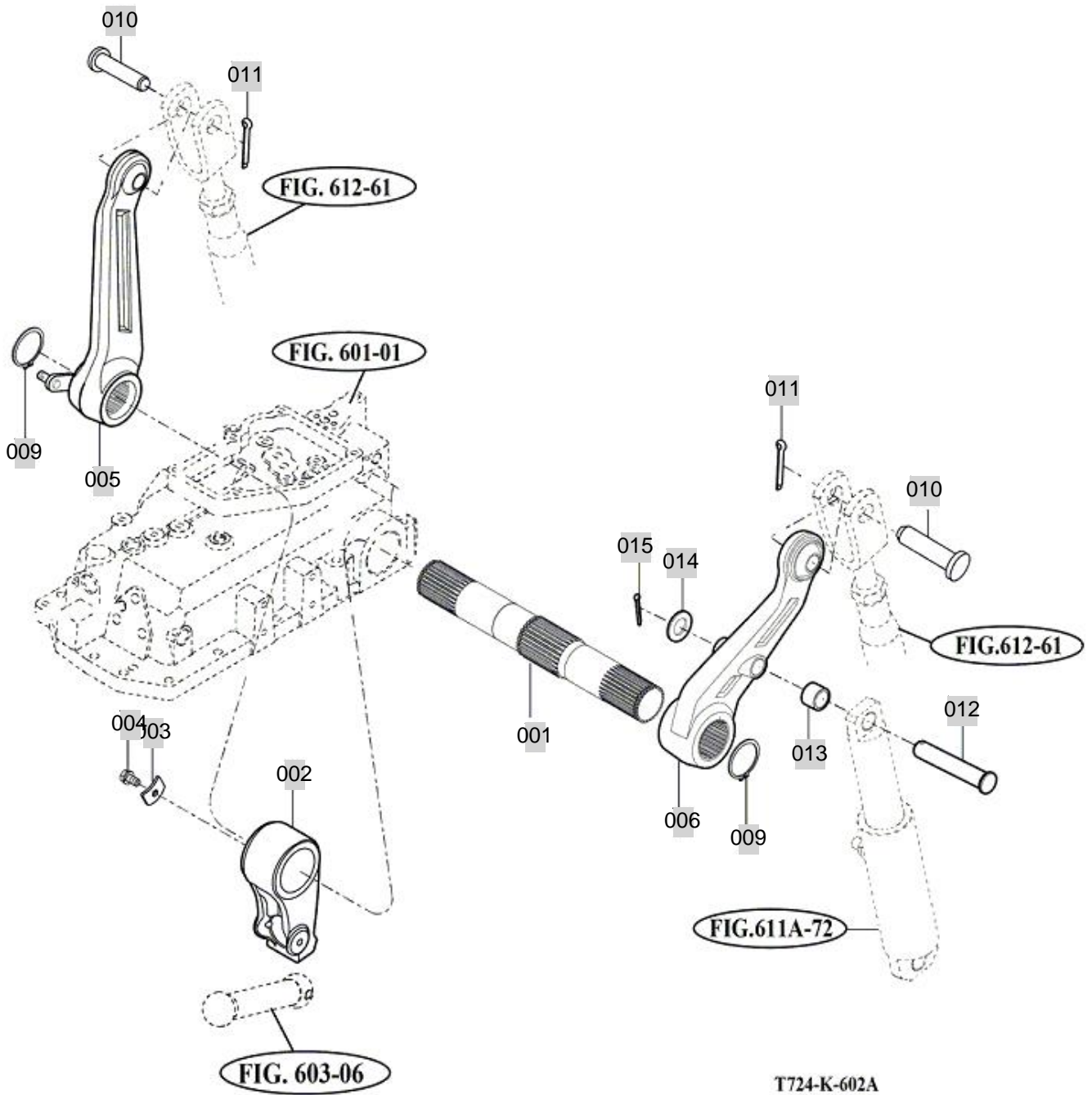
FIG 602-2

T754SC

LIFT ARM (EUA)

년/월
Year/Month

2020.07



NOTE

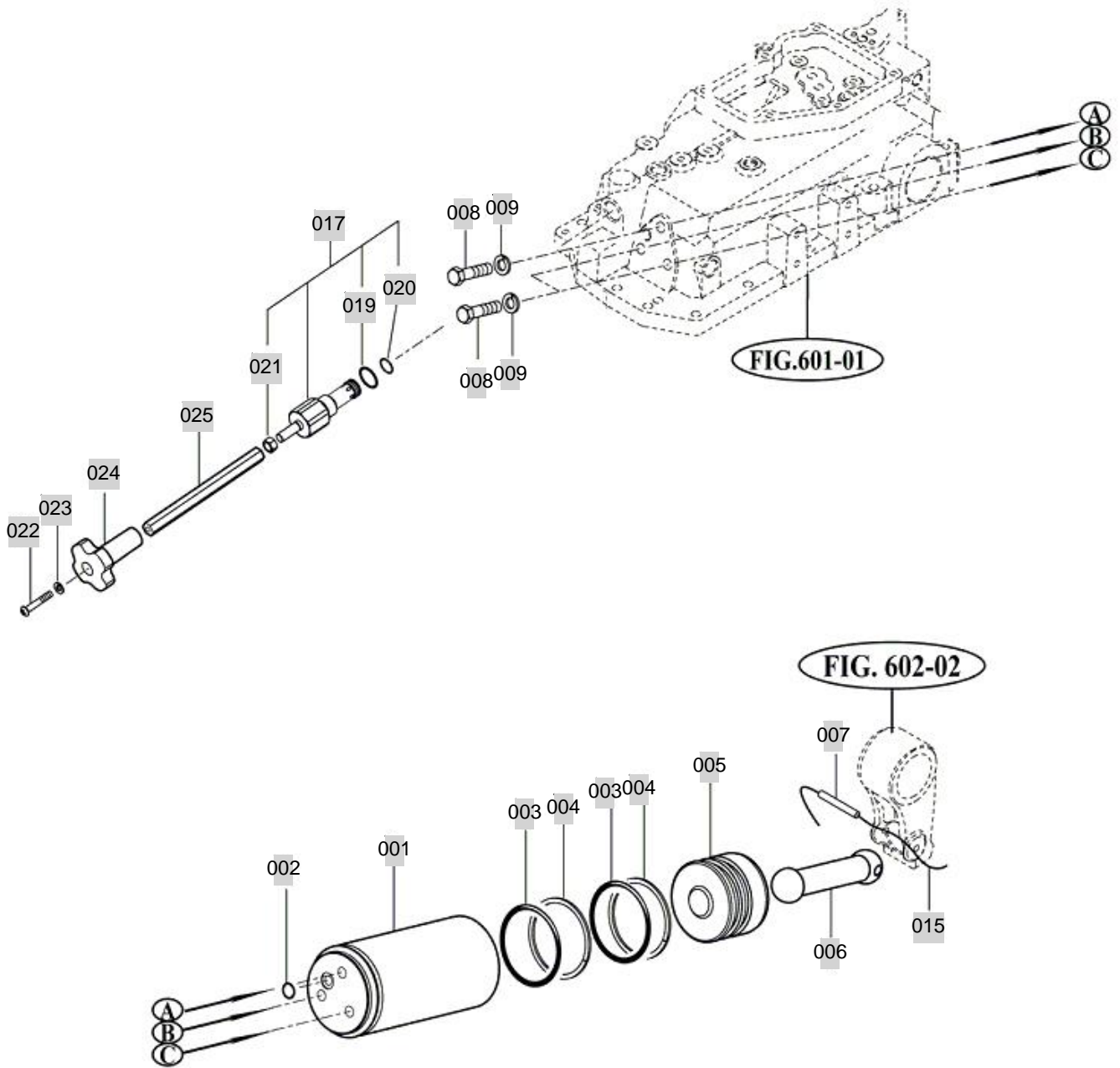
FIG 603

T754SC

CYLINDER

년/월
Year/Month

2020.07



T543/T603-E-603A

NOTE

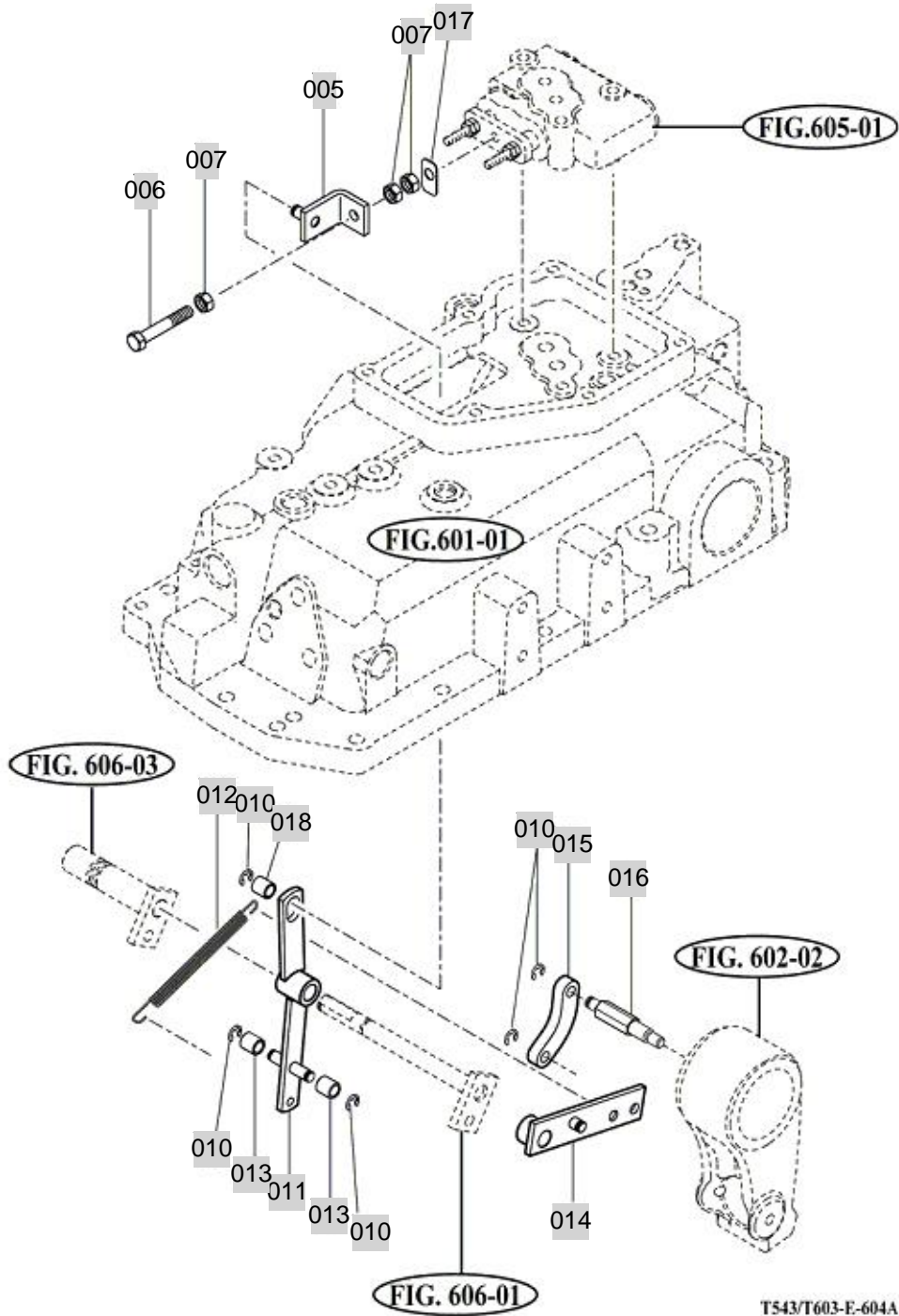
FIG 604

T754SC

POSITION LINK

년/월
Year/Month

2020.07



T543/T603-E-604A

NOTE

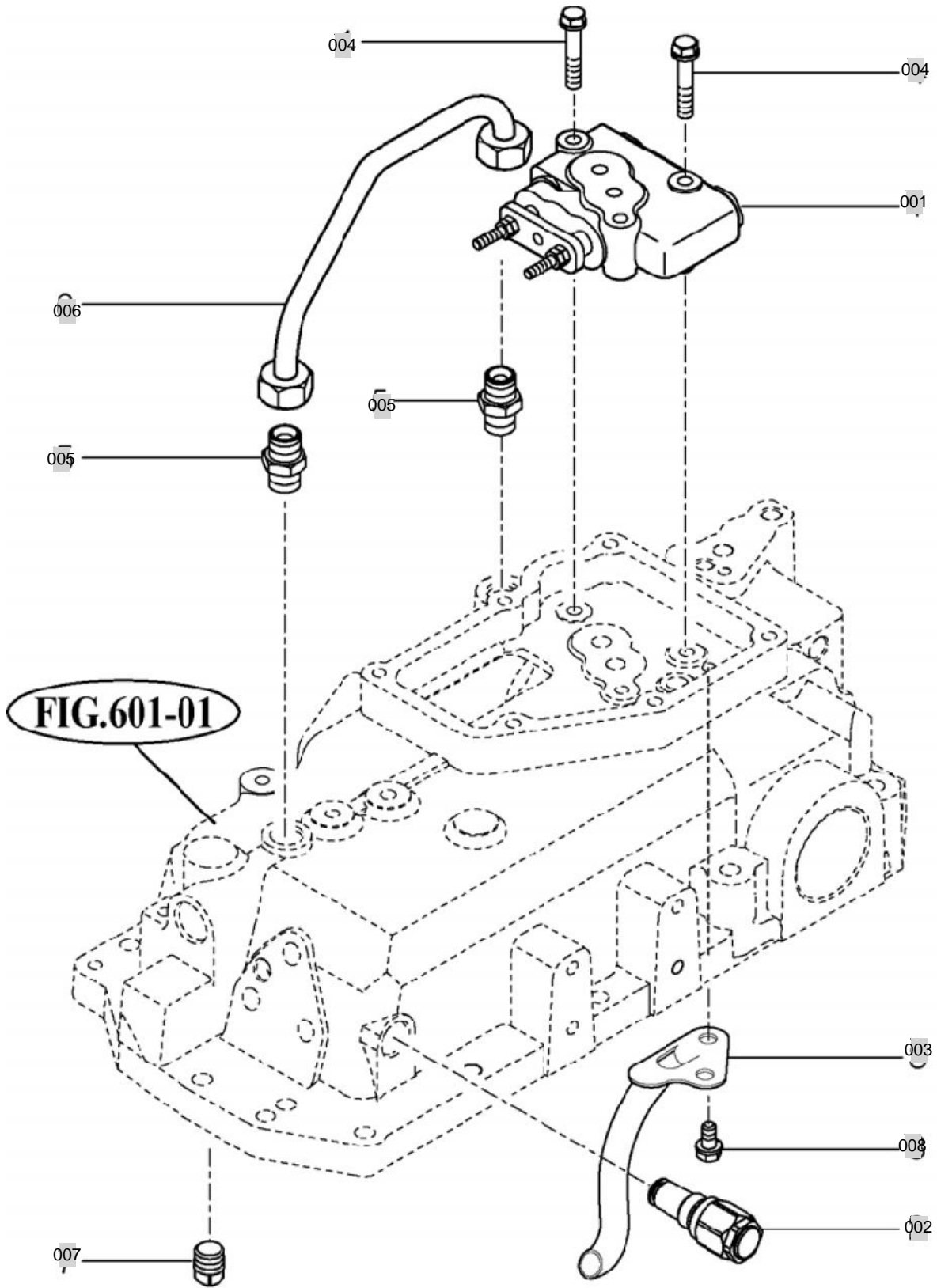
FIG 605

CONTROL VALVE

년/월
Year/Month

2020.07

T754SC



T754-E-605

NOTE

FIG 605 T754SC		CONTROL VALVE						년/월 Year/Month	
								2020.07	
KEY NO		PART NO	DESCRIPTION	SPEC	QTY	REPAIR	EFFECTIVE DATE	REMARKS	
605	001	17995050100	VALVE ASSY , MAIN CONTROL	115X125X36	1				
605	002	17680070000	VALVE ASSY . RELIEF	1X1X1	1				
605	003	17335162700	PIPE COMP , DRAIN	90*40*105	1				
605	004	V2173608045	BOLT , HEX/S	M8X45	3				
605	005	16705060060	UNION	HEX22	2				
605	006	17995050063	PIPE	1X1X1	1				
605	007	V7811600006	PLUG , SQUARE	R3/8	1				
605	008	V2173608016	BOLT , HEX/S	M8X16	2		20120501		
NOTE									

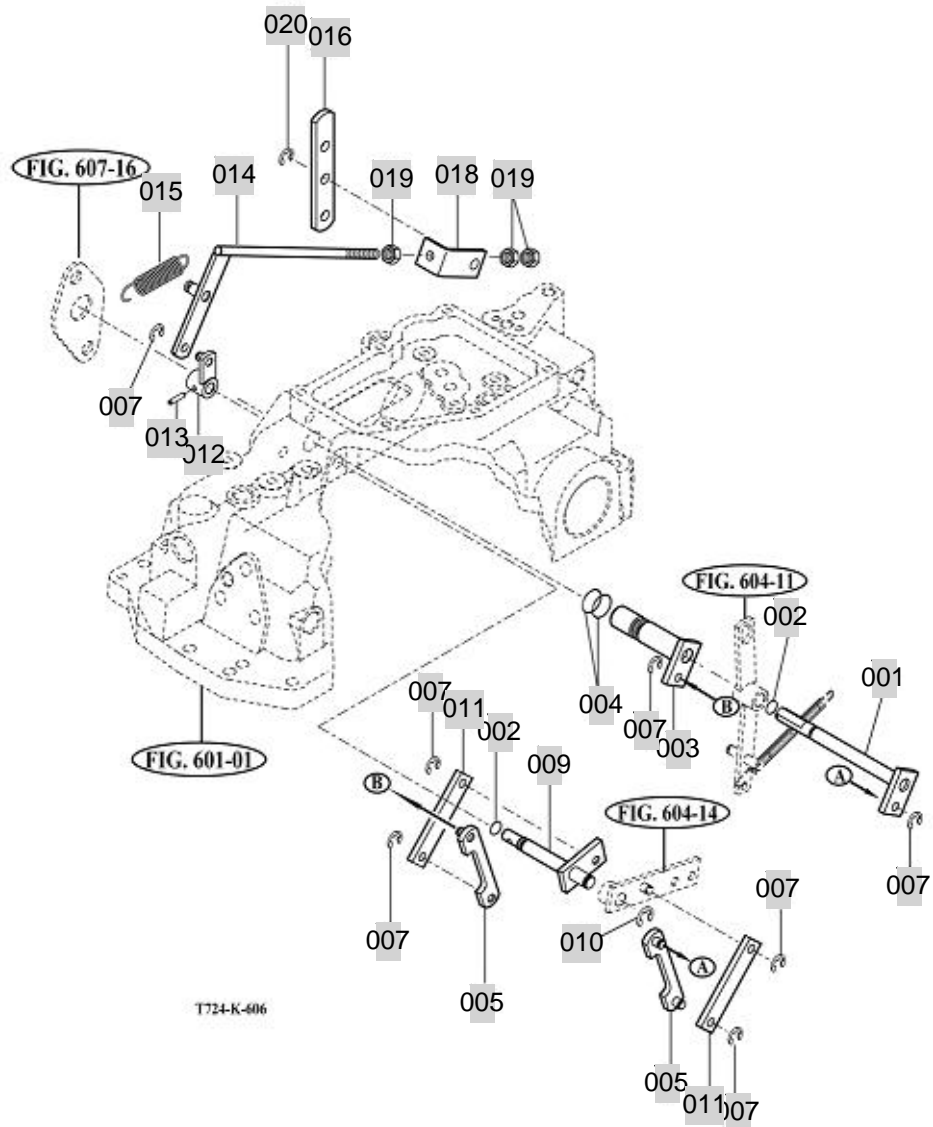
FIG 606

T754SC

DRAFT LINK

년/월
Year/Month

2020.07



NOTE

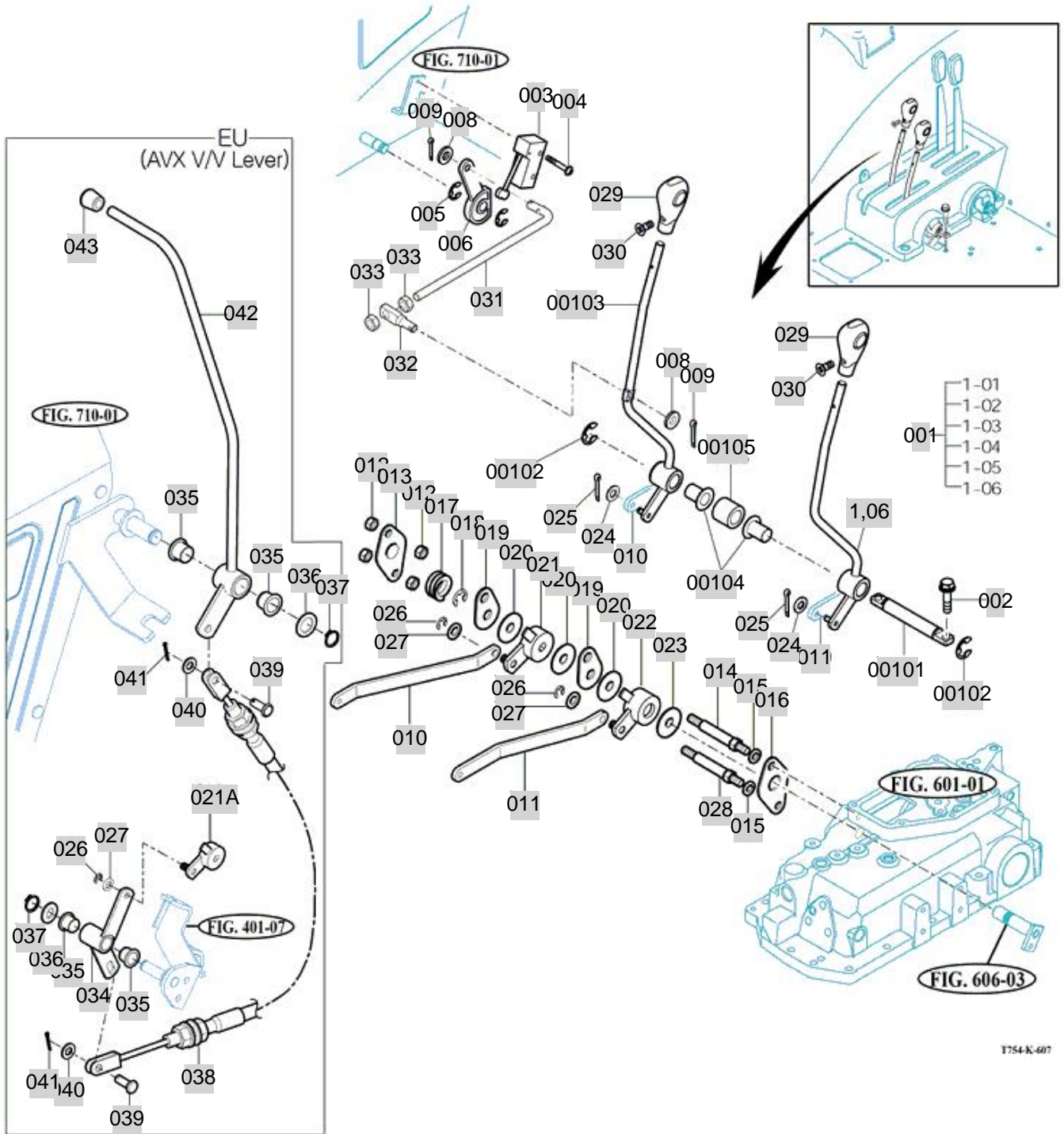
FIG 607

POSITION & DRAFT LEVER

년/월
Year/Month

2020.07

T754SC



T754-K-607

NOTE

FIG 607		POSITION & DRAFT LEVER					년/월 Year/Month		
							2020.07		
T754SC		KEY NO	PART NO	DESCRIPTION	SPEC	QTY	REPAIR	EFFECTIVE DATE	REMARKS
607	001	19997092101	REVER SUB , POSITION/DRAFT	1X1X1	1				
607	002	V2183608020	BOLT , HEX/SP	M8X20	2			20081201	
607	003	16606742301	SWITCH ASSY . LIMIT		1			20060425	
607	004	V1222604025	SCREW , C/R PAN/SP	M4X25	2				
607	005	V7081400080	E-RING	8	2				
607	006	14527090020	CAM , SENSER	1X1X1	1				
607	008	V4111600060	WASHER , PLAIN	M6	2			20081201	
607	009	V5001920020	PIN , SPLIT	2X20	2			20040501	
607	010	18015070120	PLATE , POSITION	19X6T	1				
607	011	18015070140	PLATE , DRAFTER	19X6T	1				
607	012	V3043600100	NUT , HEX/2	M10	4			20030401	
607	013	17995070140	PLATE , C	3.2T	1			20110321	
607	014	17995070150	BOLT , SUPPORT	H14X108.9	1			20110321	
607	015	V4011600100	WASHER , SPRING	M10	2			20081001	
607	016	17995070170	PLATE , D	3.2TX90X50	1				
607	017	17995070180	SPRING	33X23	1				
607	018	V7081400120	E-RING	12	1				
607	019	17995070200	PLATE , A	3.2TX40X62	2				
607	020	17995070211	PLATE , FRICTION	13X40X2T	3				
607	021	14525070221	ARM COMP , POSITION	1X1X1	1			20110321	2018.03.01~
607	021A	14525070221	ARM COMP , POSITION	1X1X1	1			20110321	US,Only EU,EUA Only
607	022	14525070230	ARM COMP , DRAFT LEVER		1				
607	023	17995070241	PLATE , FRICTION	21*40*2T	1			20110321	
607	024	V4111600060	WASHER , PLAIN	M6	2			20081201	
607	025	V5001920020	PIN , SPLIT	2X20	2			20040501	
607	026	V7081400080	E-RING	8	2				
607	027	V4111600100	WASHER , PLAIN	M10	2			20081201	
607	028	17995070340	BOLT , SUPPORT		1			20110321	
607	029	19027592011	KNOB , AUX LEVER	1X1X1	2			20080601	
607	030	V1122804012	SCREW , C/R FLAT	M4X12	2			20081128	
607	031	19997090010	ROD,SWITCH	6*150*28	1				
607	032	19997090210	PIN , POSITION ROD	10.6*32*8	1			20110310	
607	033	V3002600060	NUT , HEX/1	M6	2				
607	034	18025070500GB	ARM COMP , AUX POSITION		1				EU,EUA Only
607	035	15602870023	BUSH , 16X24X15		4			20110321	2019.10.30~
607	035	15602870024	BUSH , 16X24X15		4				2019.10.31~
607	036	36212110030	WASHER , TENSION ARM	T=1.6	2			20110321	EU,EUA Only
607	037	V7041400160	C-RING , SHAFT	16	2				EU,EUA Only
607	038	18025070701	CABLE ASSY , EXTERNAL POSITION		1				EU,EUA Only
607	039	14322420010	PIN	D=8	2			20110321	EU,EUA Only
607	040	V4111600080	WASHER , PLAIN	M8	2			20081201	EU,EUA Only
607	041	V5001925020	PIN D2.5x20	2.5X20	2			20081201	EU,EUA Only
607	042	18022872200GB	LEVER COMP , EXTERNAL POSITION		1				EU,EUA Only
607	043	14721120090	GRIP , HOOD LOCK	1X1X1	1			20110321	EU,EUA Only
607	00101	14527092110	SHAFT	D=16	1				
NOTE									

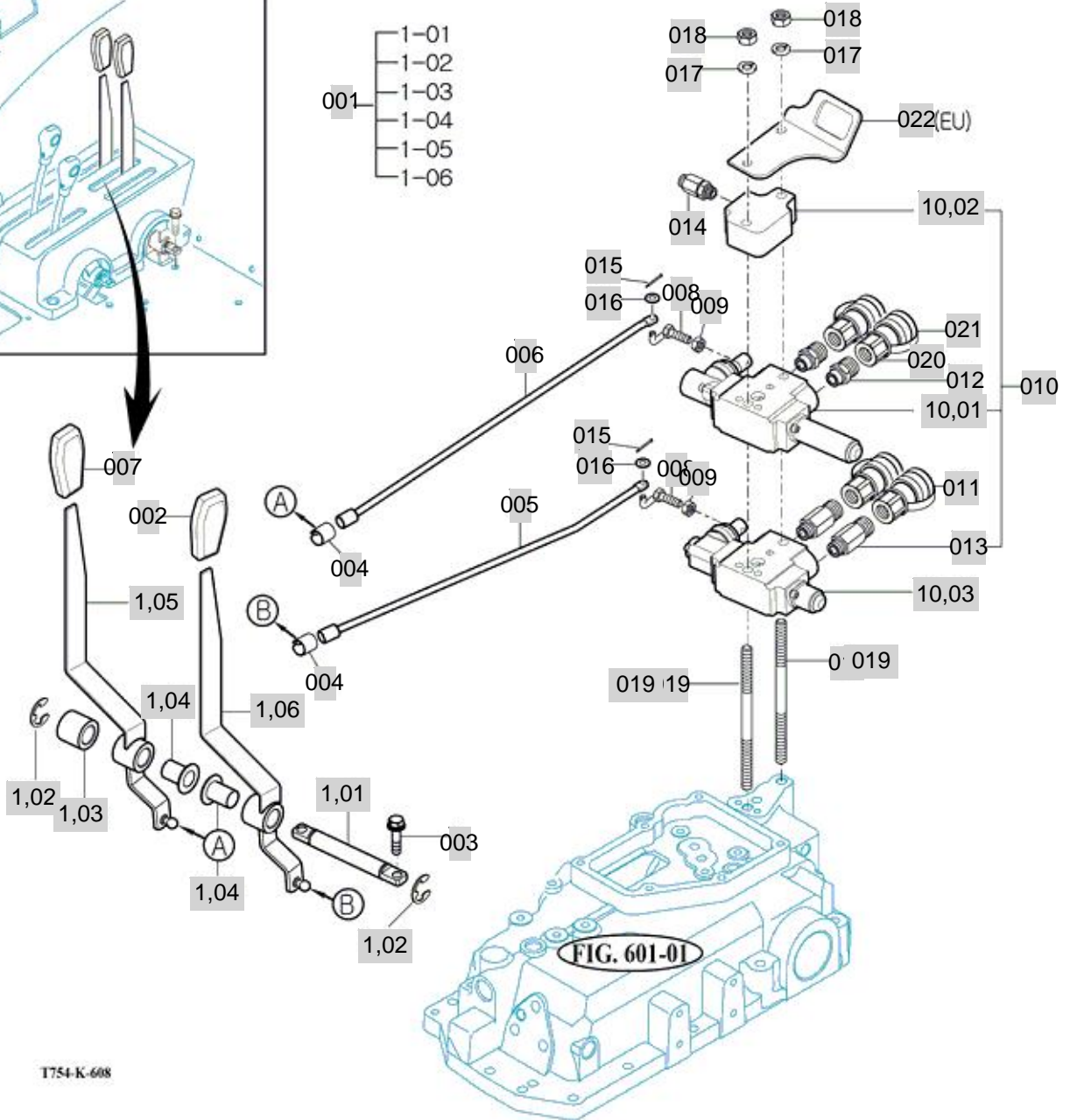
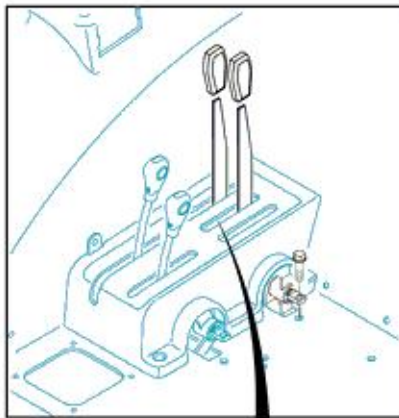
FIG 608

T754SC

EXTERIOR HYD. VALVE

년/월
Year/Month

2020.07



T754-K-608

NOTE

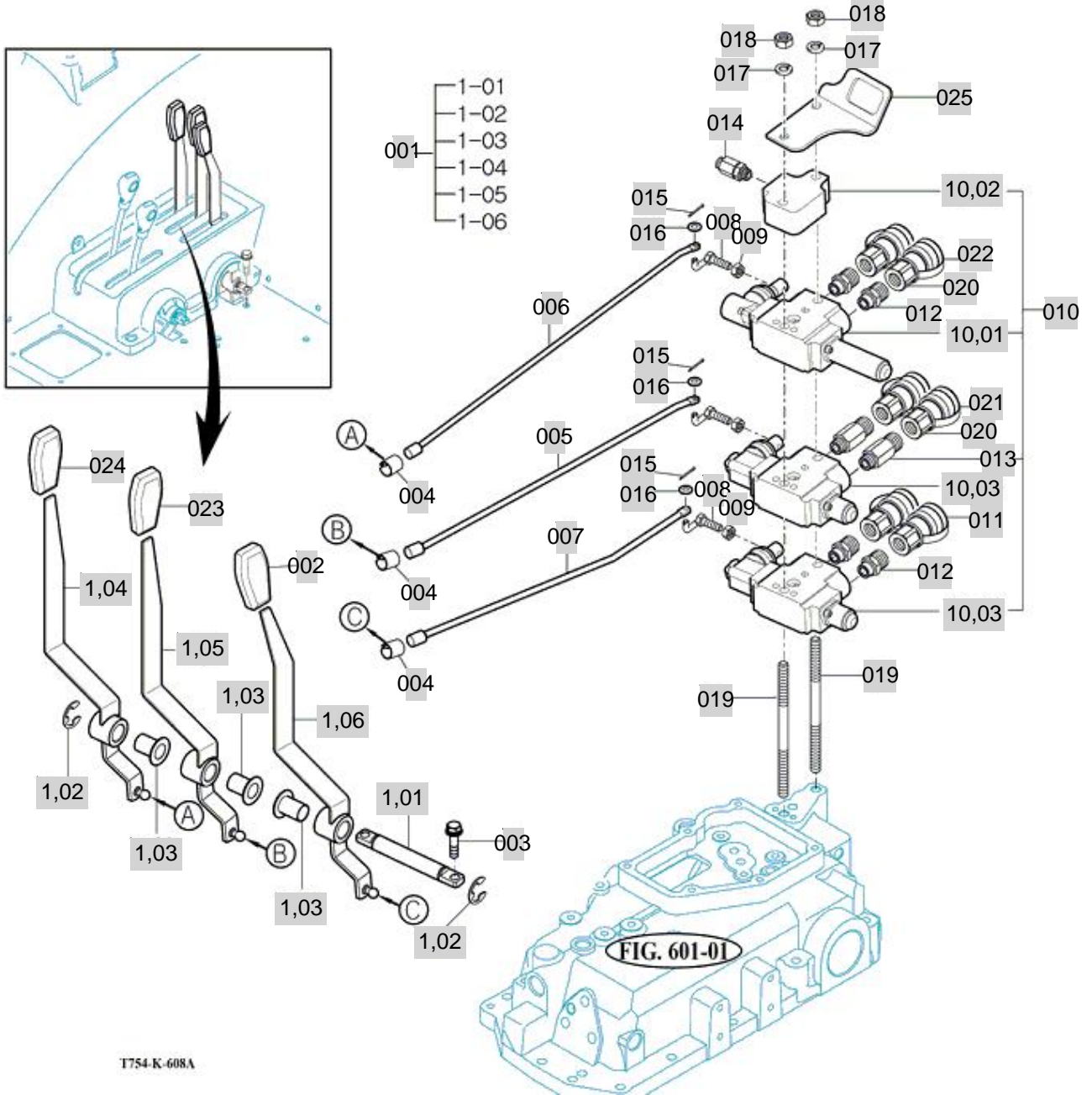
FIG 608-2

EXTERIOR HYD. VALVE (EUA)

년/월
Year/Month

T754SC

2020.07



NOTE

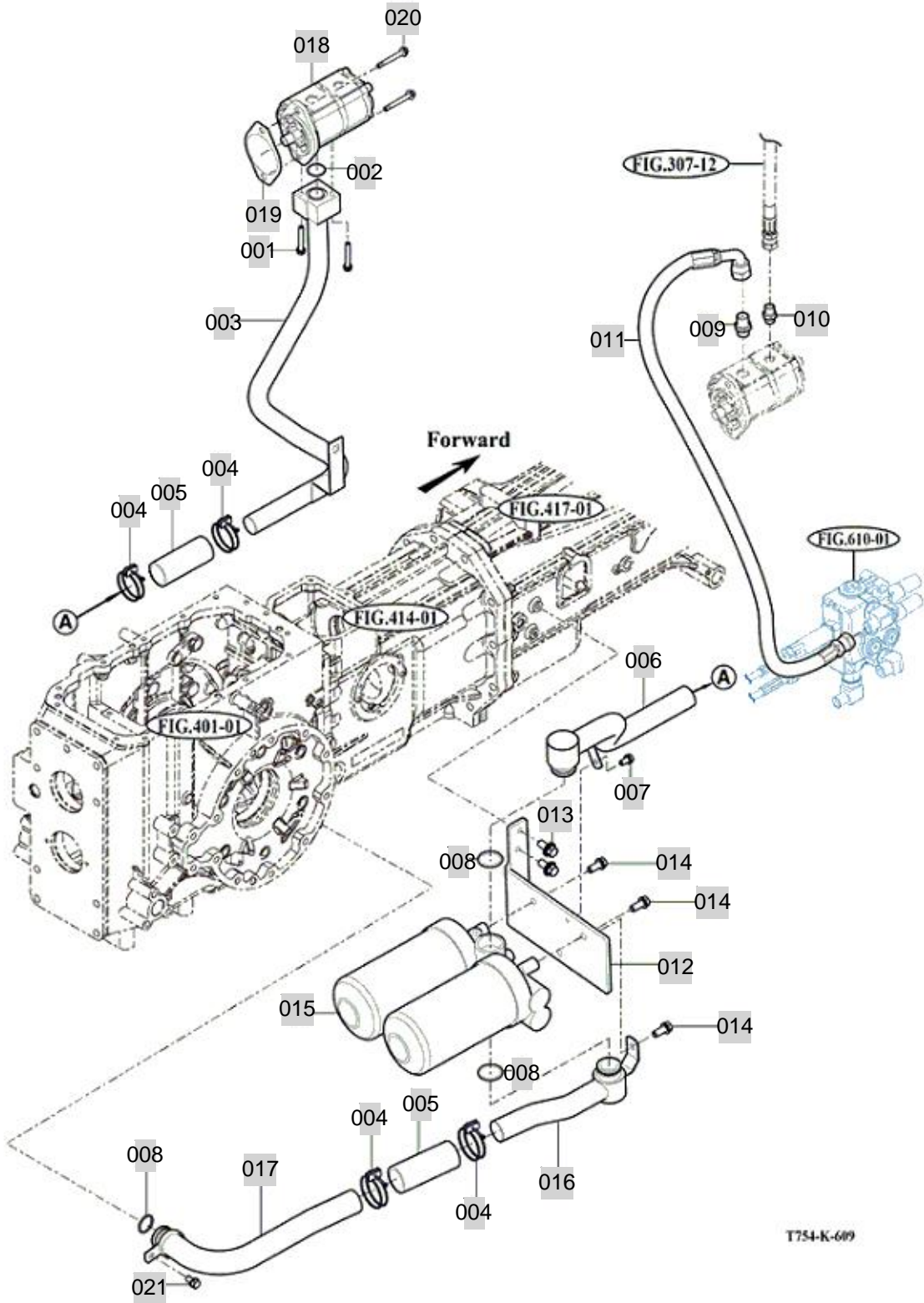
FIG 609

HYDRAULIC PIPE

년/월
Year/Month

2020.07

T754SC



NOTE

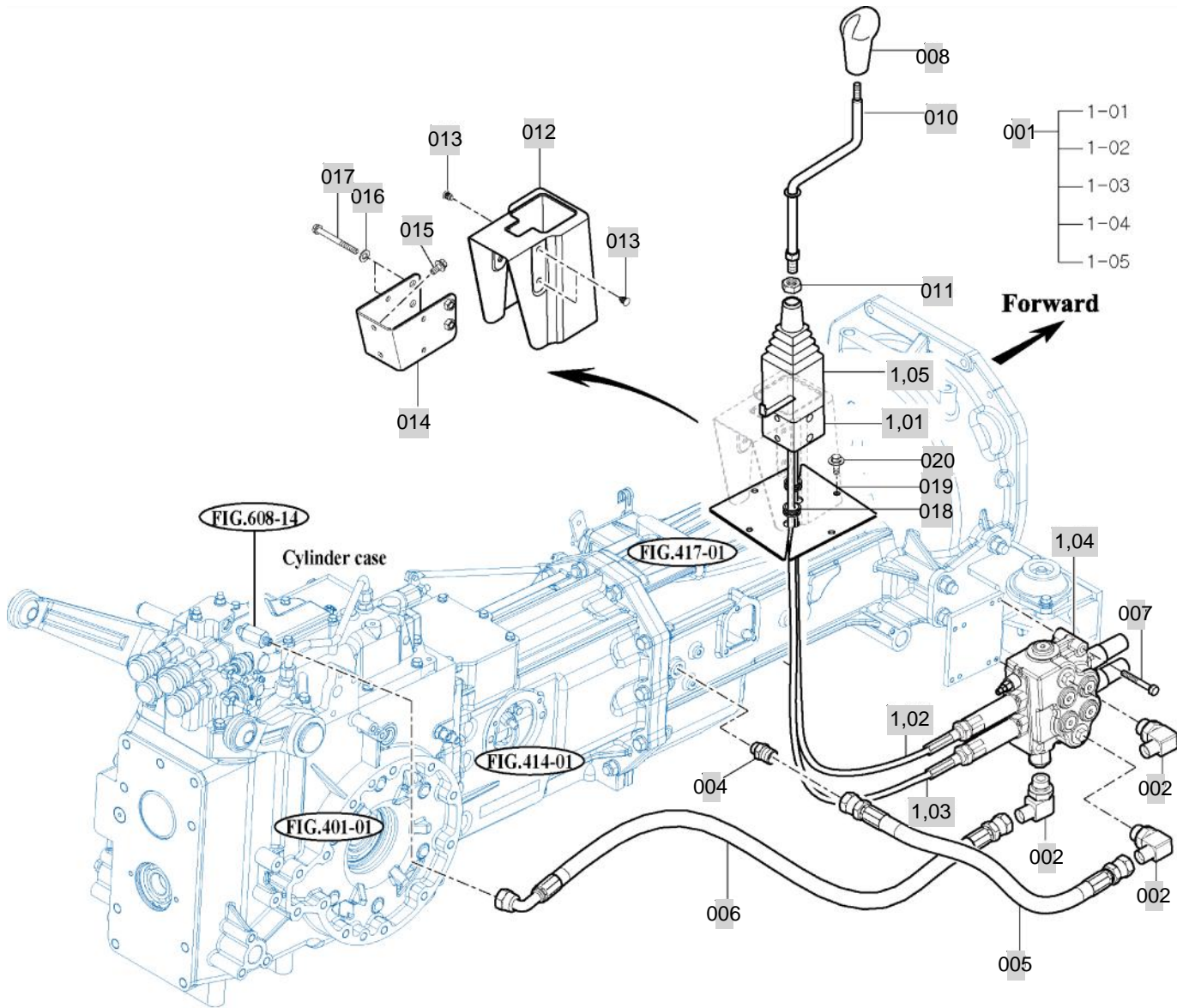
FIG 610

JOYSTICK

년/월
Year/Month

2020.07

T754SC



T754-K-610

NOTE

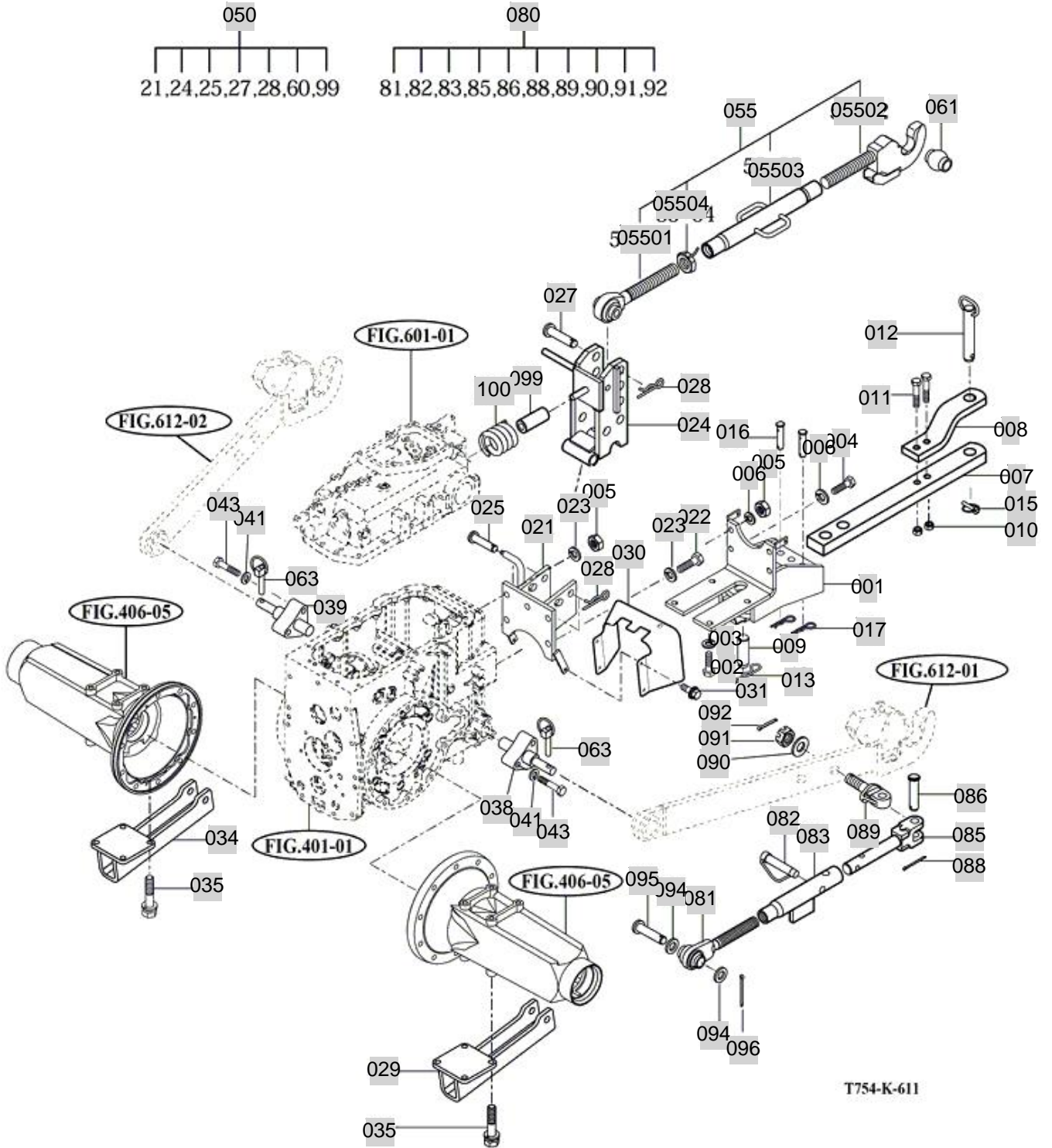
FIG 611

T754SC

HITCH & 3-POINT LINK

년/월
Year/Month

2020.07



NOTE

FIG 611		HITCH & 3-POINT LINK					년/월	
							Year/Month	
T754SC		2020.07						
KEY NO	PART NO	DESCRIPTION	SPEC	QTY	REPAIR	EFFECTIVE DATE	REMARKS	
611	001	18015202000GB	BRACKET COMP , DRAW BAR/SWING	246*20*440	1			
611	002	V2013614035	BOLT , HEX	M14X35	4		20030401	
611	003	V4011600140	WASHER , SPRING	M14	4		20080701	
611	004	V2013616035	BOLT , HEX	M16X35	2		20081226	
611	005	V3043600160	NUT , HEX/2	M16	4		20080129	
611	006	V4011600160	WASHER , SPRING	M16	4		20081226	
611	007	17332470010GB	LINK , DRAW BAR SWING	65X35X660	1			
611	008	18992470020GB	LINK , HITCH	1X1X1	1			
611	009	17332472010	PIN , DRAWBAR	D=28	1			
611	010	15189240160	NUT , NYLON , M16	1X1X1	2			
611	011	V2004616080	BOLT , HEX	M16X80	2			
611	012	15645220011	PIN , 19X86	D=19	2		20101126	
611	013	S2169908420	PIN , SNAP/28	1X1X1	1		20030601	
611	015	14215020020	PIN , LINK		1		20060401	
611	016	15645220011	PIN , 19X86	D=19	2		20101126	
611	017	14445140051	PIN , 19	D=4.5	2		20110321	
611	021	18015222000GB	BRACKET COMP	1X1X1	1			
611	022	V2013616035	BOLT , HEX	M16X35	3		20081226	
611	023	V4011600080	WASHER , SPRING	M8	5		20081201	
611	024	17975222102GB	LINK COMP	13.0X18.3X23.4	1			
611	025	15645250010	PIN , 19X122	D=19	2			
611	027	15645220020	PIN , 19X95	D=19	1		20110321	
611	028	14445140051	PIN , 19	D=4.5	3		20110321	
611	029	18015254101GB	BRACKET COMP		1		2017.11.01~	
611	030	13605200012GB	COVER , SHIELD	1X1X1	1			
611	031	V2183608016	BOLT , HEX/SP	M8X16	4		20081224	
611	034	18015254101GB	BRACKET COMP		1		2017.11.01~	
611	035	V2013614030	BOLT , HEX	M14X30	8			
611	038	17975252710	PIN , LOWER LINK		1			
611	039	17975252810	PIN , LOWER LINK	1X1X1	1			
611	041	V4011600140	WASHER , SPRING	M14	6		20080701	
611	043	V2013614060	BOLT , HEX	M14X60	6			
611	050	18015200500	BRACKET ASSY	1X1X1	1			
611	055	17995201002GB	LINK ASSY . TOP LINK	1X1X1	1			
611	061	17995201500	BALL , TOP LINK	1X1X1	1			
611	063	14215020020	PIN , LINK		2		20060401	
611	080	18025253000GB	LINK ASSY , ADJUSTER		2			
611	081	17995253102	ROD ASSY , TIE	1X1X1	2		20080124	
611	082	17995253200	PIN COMP	1X1X1	4		20080124	
611	083	17995253302GB	SLEEVE COMP	1X1X1	4			
611	085	19025205300	ROD COMP , R	1X1X1	2		20080124	
611	086	S2167091722	PIN , 20X59	62X22	4		20080124	
611	088	V5001950035	PIN , SPLIT	5X35	2		20051201	
611	089	16995253091	BOLT , EYE		2		20080124	
611	090	V4111600240	WASHER , PLAIN	M24	2		20030401	
NOTE								

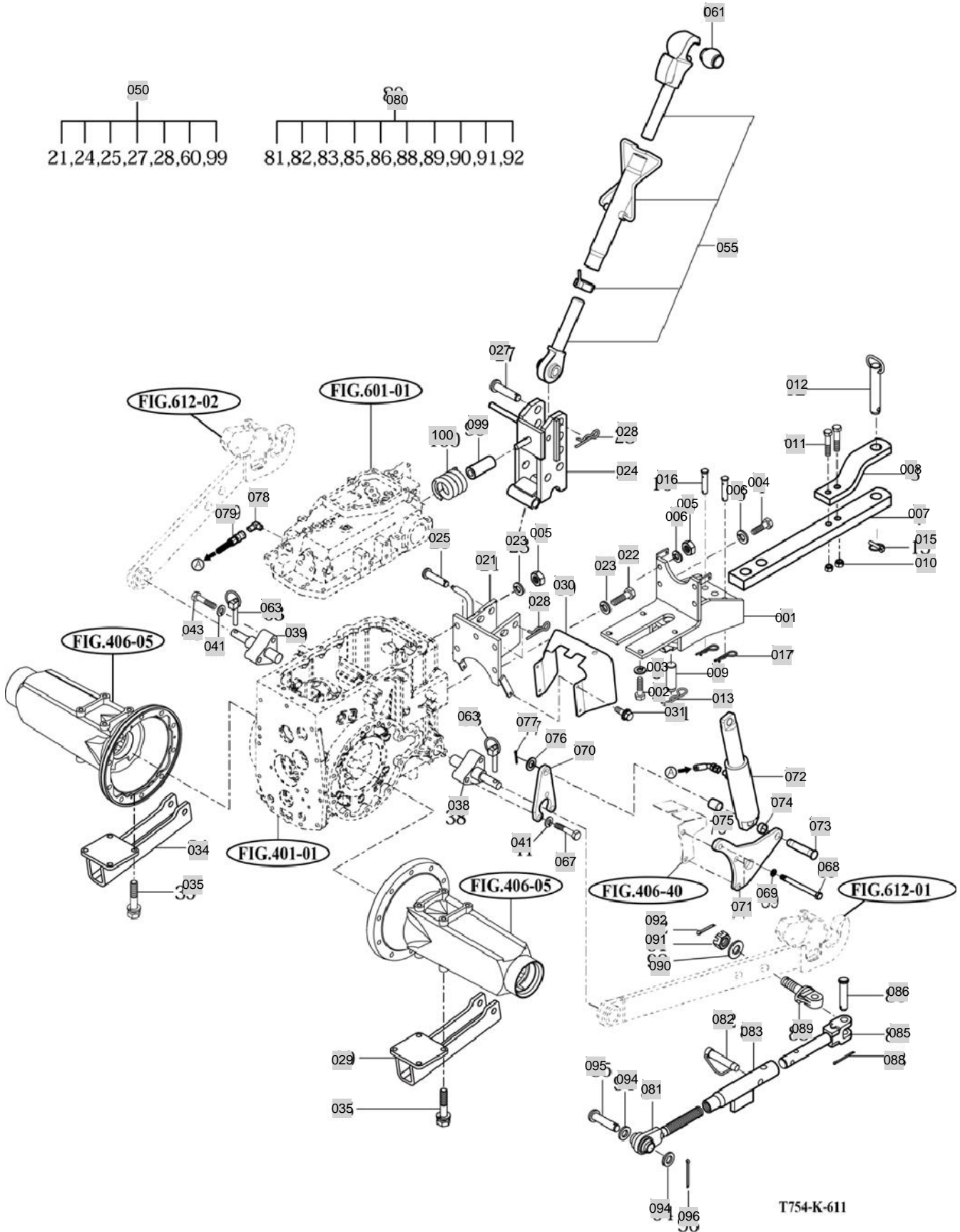
FIG 611-2

HITCH & 3-POINT LINK(EU,EUA)

년/월
Year/Month

T754SC

2020.07



NOTE

FIG 611-2		HITCH & 3-POINT LINK(EU,EUA)					년/월 Year/Month		
							2020.07		
T754SC		KEY NO	PART NO	DESCRIPTION	SPEC	QTY	REPAIR	EFFECTIVE DATE	REMARKS
611-2	001	18015202000GB	BRACKET COMP , DRAW BAR/SWING	246*20*440	1				
611-2	002	V2013614035	BOLT , HEX	M14X35	4			20030401	
611-2	003	V4011600140	WASHER , SPRING	M14	4			20080701	
611-2	004	V2013616035	BOLT , HEX	M16X35	2			20081226	
611-2	005	V3043600160	NUT , HEX/2	M16	4			20080129	
611-2	006	V4011600160	WASHER , SPRING	M16	4			20081226	
611-2	007	17332470010GB	LINK , DRAW BAR SWING	65X35X660	1				
611-2	008	18992470020GB	LINK , HITCH	1X1X1	1				
611-2	009	17332472010	PIN , DRAWBAR	D=28	1				
611-2	010	15189240160	NUT , NYLON , M16	1X1X1	2				
611-2	011	V2004616080	BOLT , HEX	M16X80	2				
611-2	012	15645220011	PIN , 19X86	D=19	2			20101126	
611-2	013	S2169908420	PIN , SNAP/28	1X1X1	1			20030601	
611-2	015	14215020020	PIN , LINK		1			20060401	
611-2	016	15645220011	PIN , 19X86	D=19	2			20101126	
611-2	017	14445140051	PIN , 19	D=4.5	2			20110321	
611-2	021	18015222000GB	BRACKET COMP	1X1X1	1				
611-2	022	V2013616035	BOLT , HEX	M16X35	3			20081226	
611-2	023	V4011600080	WASHER , SPRING	M8	5			20081201	
611-2	024	17975222102GB	LINK COMP	13.0X18.3X23.4	1				
611-2	025	15645250010	PIN , 19X122	D=19	2				
611-2	027	15645220020	PIN , 19X95	D=19	1			20110321	
611-2	028	14445140051	PIN , 19	D=4.5	3			20110321	
611-2	029	18015254101GB	BRACKET COMP		1				2017.11.01~
611-2	030	13605200012GB	COVER , SHIELD	1X1X1	1				
611-2	031	V2183608016	BOLT , HEX/SP	M8X16	4			20081224	
611-2	034	18015254101GB	BRACKET COMP		1				2017.11.01~
611-2	035	V2013614030	BOLT , HEX	M14X30	8				
611-2	038	17975252710	PIN , LOWER LINK		1				
611-2	039	17975252810	PIN , LOWER LINK	1X1X1	1				
611-2	041	V4011600140	WASHER , SPRING	M14	6			20080701	
611-2	043	V2013614060	BOLT , HEX	M14X60	6				EU Only
611-2	043	V2013614060	BOLT , HEX	M14X60	3				EUA Only
611-2	050	18015200500	BRACKET ASSY	1X1X1	1				
611-2	055	18025201000GB	LINK ASSY . TOP		1				EU,EUA Only
611-2	061	17995201500	BALL , TOP LINK	1X1X1	1				
611-2	063	14215020020	PIN , LINK		2			20060401	
611-2	067	V2013614070	BOLT , HEX	M14X70	3				EUA Only
611-2	068	V2004614140	BOLT , HEX	M14X140	3				EUA Only
611-2	069	V4011600140	WASHER , SPRING	M14	3			20080701	EUA Only
611-2	070	18095800080	PLATE , LOW SUPPORT		1				EUA Only
611-2	071	18095800090	PLATE , UPR SUPPORT		1				EUA Only
611-2	072	18095803001	CYLINDER ASSY , AUX		1				EUA Only
611-2	073	18095800060	PIN , 20X97		1				EUA Only
611-2	074	18095800050	SPACER , 20.4X27.2X12.8		1				EUA Only
NOTE									

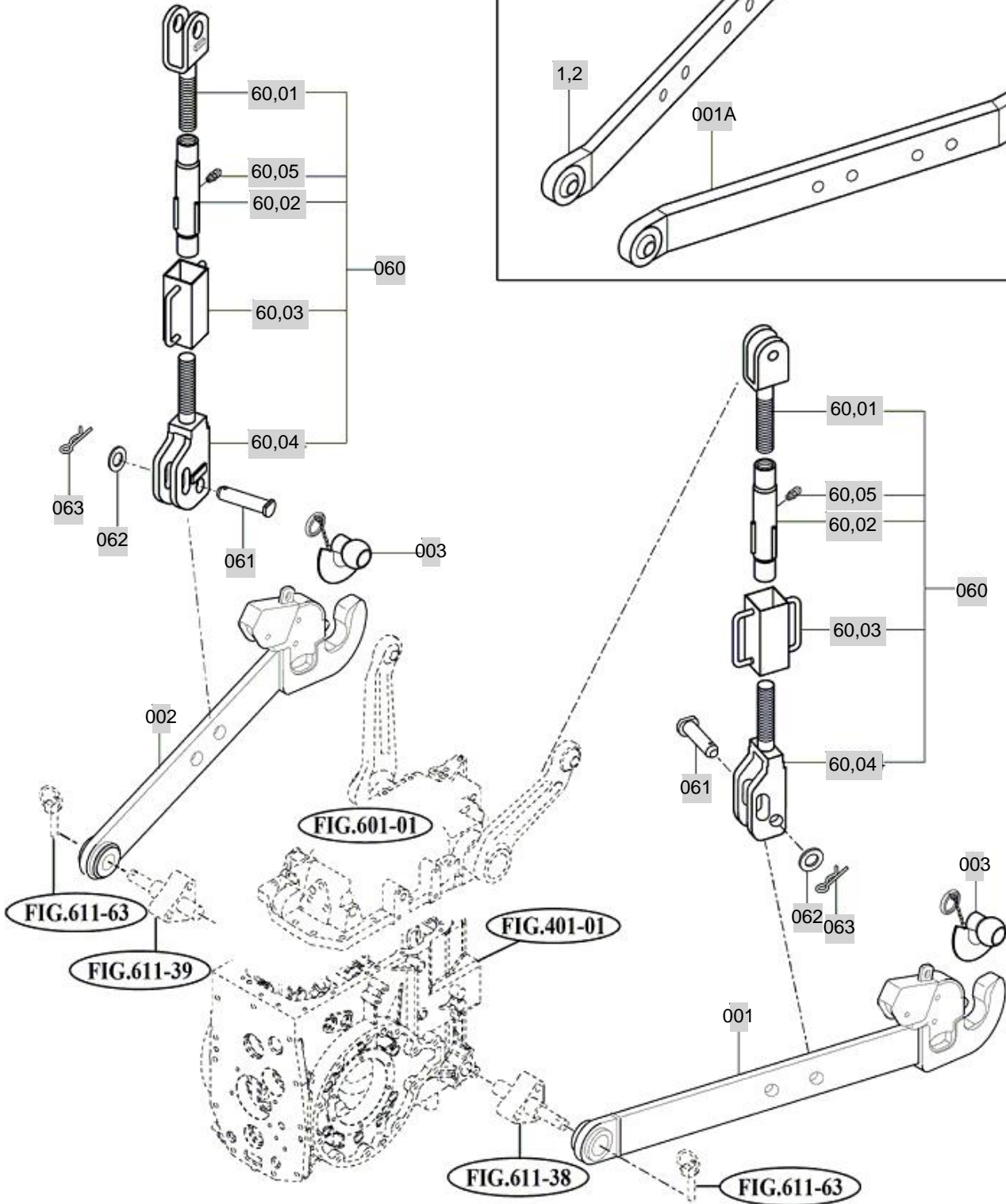
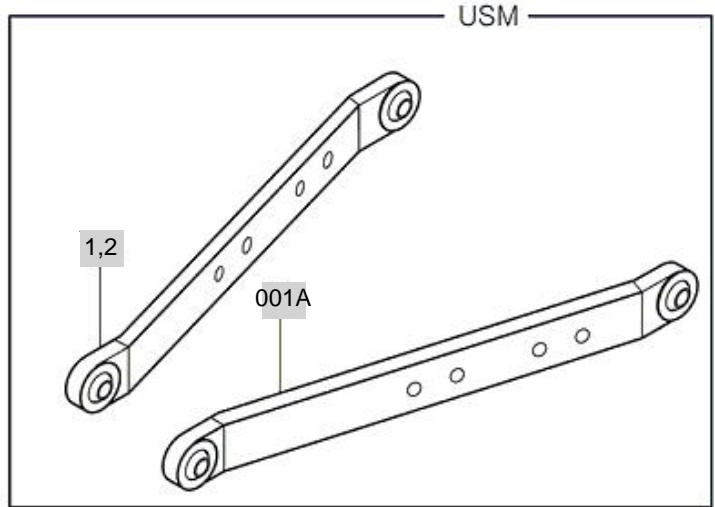
FIG 612

LOWER LINK & LIFT ROD

년/월
Year/Month

2020.07

T754SC



T754-K-612

NOTE

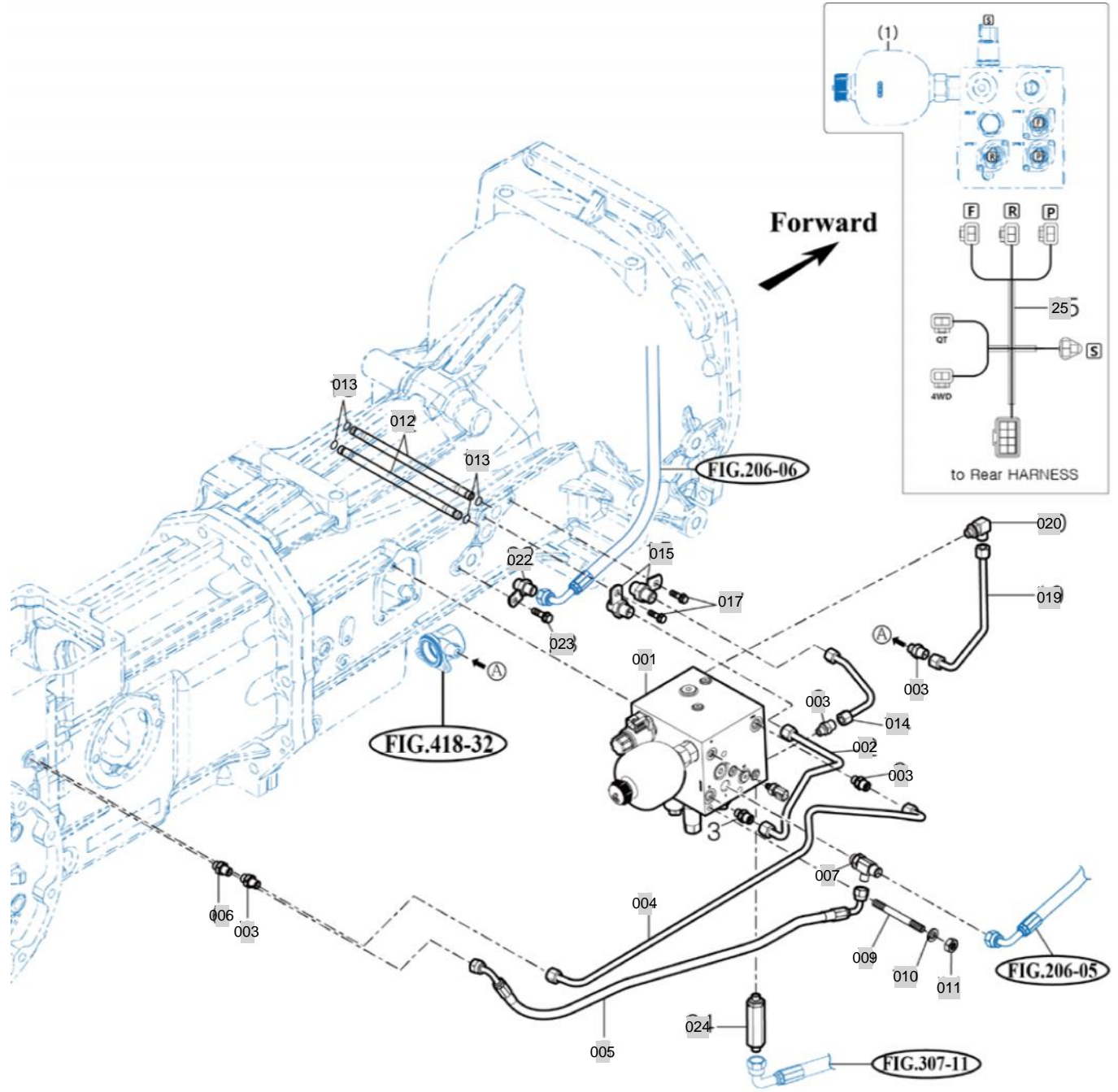
FIG 613

HYDRAULIC HOSE

년/월
Year/Month

2020.07

T754SC



T754SC-K-613

NOTE

FIG 613			HYDRAULIC HOSE					년/월 Year/Month
T754SC								2020.07
KEY NO	PART NO	DESCRIPTION	SPEC	QTY	REPAIR	EFFECTIVE DATE	REMARKS	
613	001	18175162002	VALVE , MAIN VALVE				2017.04.24~ US	
613	001	18185162000	VALVE , MAIN VALVE				2017.12.01~ EU Only	
613	002	18175403200	PIPE COMP , RR					
613	003	19025162400	UNION(PF1/4-M16)					
613	004	18175403402	PIPE COMP , PTO					
613	005	17975180391	HOSE ASSY , HYD 780	1X1X1				
613	006	17971850140	ADAPTER , STRAIGHT PF1/4	1X1X1		20081201		
613	007	18175161130	T ELBOW, PF3/8,PF1/4					
613	009	18175080010	STUD BOLT , M8X165					
613	010	V4011600080	WASHER , SPRING	M8		20081201		
613	011	V3042600080	NUT , HEX/2	M8		20081201		
613	012	18175180010	PIPE FR , 167					
613	013	V7231015008	O RING(S)	S8				
613	014	18175403100	PIPE COMP , FR					
613	015	18175181100	CONNECTOR COMP , M16					
613	017	V2173608016	BOLT , HEX/S	M8X16		20120501		
613	019	18175403300	PIPE COMP , 4WD					
613	020	18175180020	ELBOW , M16 PF1/4					
613	022	14545183600	CONNECTOR , PF3/8, Ø16	1X1X1				
613	023	V2173608016	BOLT , HEX/S	M8X16		20120501		
613	024	17625163100	FILTER ASSY , LINE	129*32*37				
613	25	17866802701	HARNESS ASSY , F/R VALVE					
NOTE								

7. SHEET METAL & CABIN PART NO. T754SC-C7

FIG 701 HOOD	189
FIG 702 FRONT FRAME	191
FIG 703 SIDE SUPPORT & FRAME HOOD	193
FIG 704 LEVER COVER & STEP	196
FIG 705 FRONT & REAR MOUNTING	198
FIG 706 SEAT & MAT	200
FIG 709 DOOR	202
FIG 710 FRONT GLASS	205
FIG 711 SIDE GLASS	207
FIG 712 REAR GLASS	209
FIG 713 SUB FENDER & COVER	211
FIG 714 MIRROR	213
FIG 715 HEATER & AIR-CON	215
FIG 715-2 HEATER & AIR-CON	217
FIG 716 FENDER COVER	219
FIG 717 ROOF	221
FIG 718 CABIN INTERIOR	223

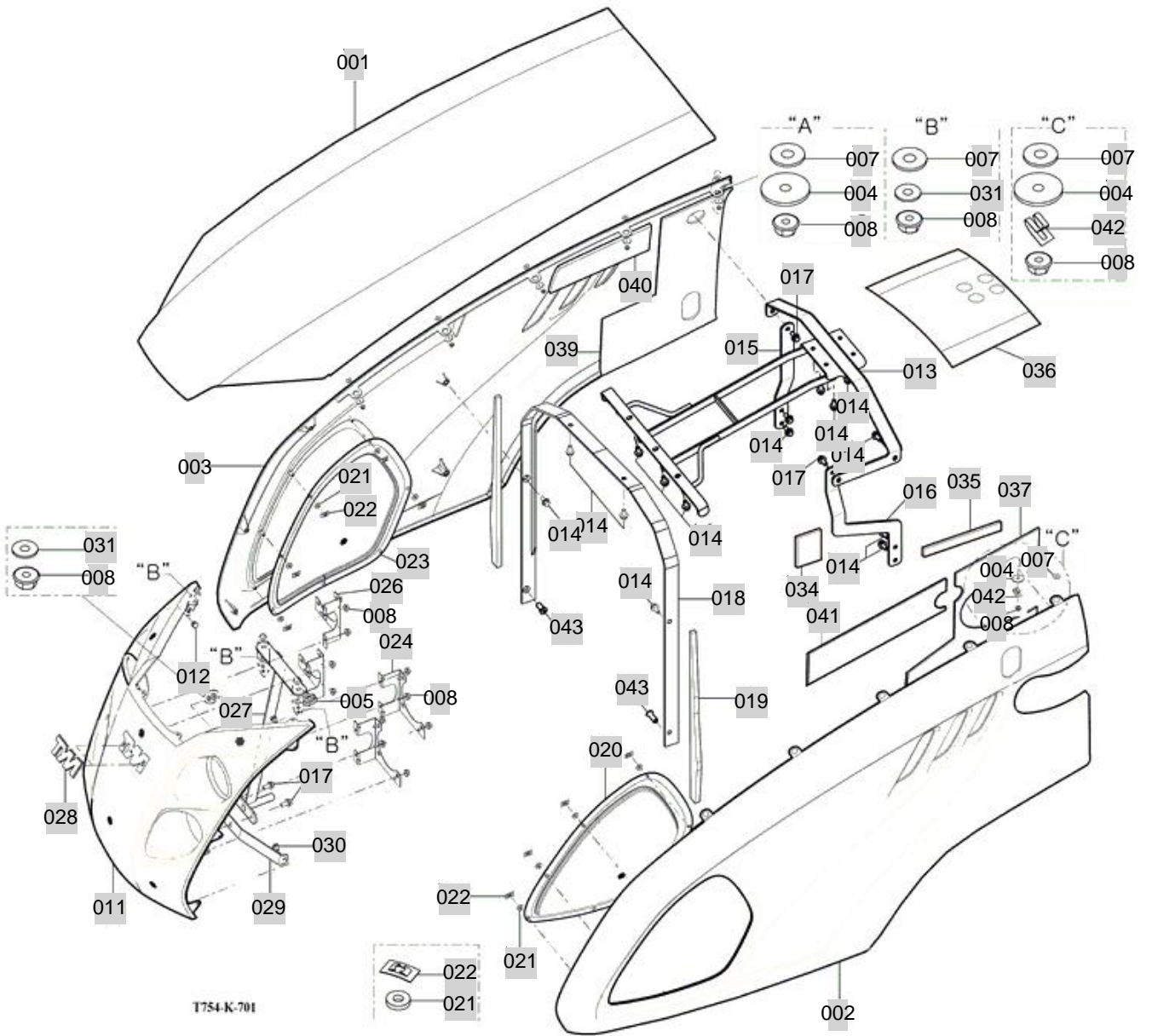
FIG 701

T754SC

HOOD

년/월
Year/Month

2020.07



NOTE

FIG 701		HOOD					년/월 Year/Month	
T754SC							2020.07	
KEY NO	PART NO	DESCRIPTION	SPEC	QTY	REPAIR	EFFECTIVE DATE	REMARKS	
701	001	17136112100SR	HOOD COVER COMP	1253.6X542.4X347.5	1			
701	002	17136112201SR	PANEL COMP , LH SIDE		1		2018.01.22~	
701	003	17136112300SR	PANEL COMP , RH SIDE	1338.7X764.9X120	1			
701	004	19026112050	WASHER , 6X30X2.3	T=2.3	10			
701	005	14256210040	CLAMP , 9		2	20120105		
701	007	35605033020	WASHER , WIRE WITHDRAWAL	T=1.6	14	20100616		
701	008	V3802600060	NUT , HEX FLANGE	M6	28			
701	011	17136112400GB	COVER COMP , FRONT GRILLE	548X521.6X382.6	1			
701	012	V2193606016	BOLT , HEX/SPL	M6X16	4	20040401		
701	013	18026112500GB	FRAME COMP , HOOD		1			
701	014	V2183608016	BOLT , HEX/SP	M8X16	16	20081224		
701	015	17136112090GB	PLATE , RH	344X32X33	1			
701	016	17136112081GB	PLATE , LH	177X344X33	1			
701	017	V2183608020	BOLT , HEX/SP	M8X20	4	20081201		
701	018	10016112701GB	FRONT FRAME COMP, HOOD	1X1X1	1			
701	019	17136112060	INSULATOR , SIDE PANEL	520X29.5X12	2			
701	020	17136112032GB	GRILLE , LH		1			
701	021	14446010150	WASHER , NET		14	20060701		
701	022	V3501600060	NUT, PUSH-ON SPRING	M6	14			
701	023	17136112042GB	GRILLE , RH		1			
701	024	17136410010	PLATE , LH LAMP	129X124X46.2	2			
701	026	17136410020	PLATE , RH LAMP	129X124X46.2	2			
701	027	17136112601GB	PIN COMP , HOOD/LOCK	116X404X192	1			
701	028	19959010010	EMBLEM	1X1X1	1			
701	029	17136112800GB	BRACKET , GRILL	1*1*1	1			
701	030	V2193606020	BOLT , HEX/SPL	M6X20	2			
701	031	V4111600060	WASHER , PLAIN	M6	6	20081201		
701	034	17136110500	INSULATOR , A	120*80*10	1			
701	035	17136110600	INSULATOR , C	1280*32*10	1			
701	036	17136110800	INSULATOR , D	450*333*5	1			
701	037	17826110030	INSULATOR , LH/SIDE		1			
701	039	17136110022	INSULATOR , RH COVER	413X534*5	1			
701	040	17136110060	INSULATOR , F	500X208*5	1	20111130		
701	041	17136110070	INSULATOR , G	500X208*5	1			
701	042	37371720090	CLAMP , W/HARNESS		5	20100211		
701	043	V1122808020	SCREW , C/R FLAT	M8X20	2			
NOTE								

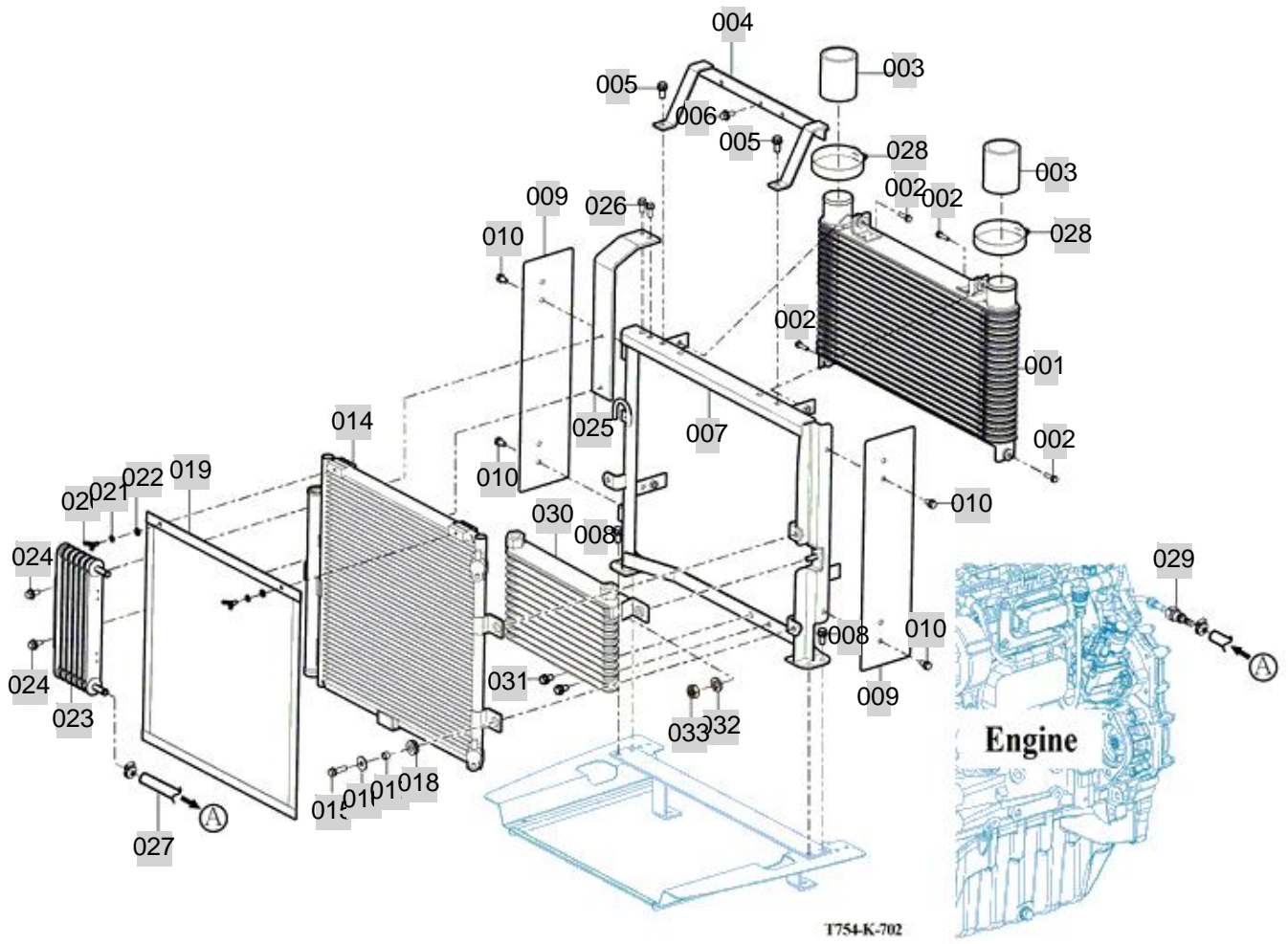
FIG 702

FRONT FRAME

년/월
Year/Month

2020.07

T754SC



NOTE

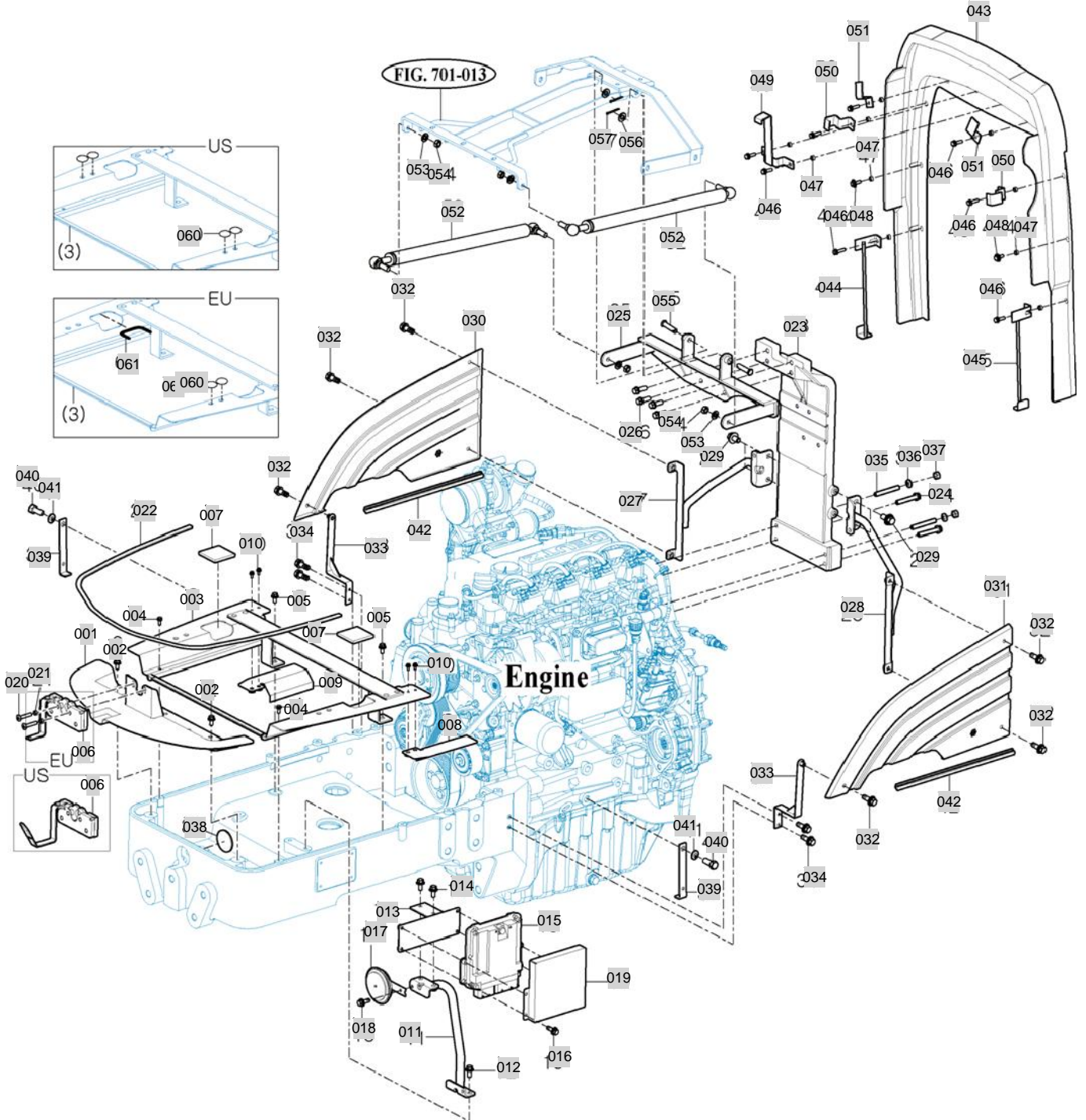
FIG 703

SIDE SUPPORT & FRAME HOOD

년/월
Year/Month

2020.07

T754SC



T754-K-703

NOTE

FIG 703		SIDE SUPPORT & FRAME HOOD					년/월 Year/Month		
							2020.07		
T754SC		KEY NO	PART NO	DESCRIPTION	SPEC	QTY	REPAIR	EFFECTIVE DATE	REMARKS
703	001	18014103101GB	PLATE COMP, LOW/FR			1			
703	002	V2173608020	BOLT , HEX/S	M8X20		2		20120501	
703	003	18026022102GB	FRAME COMP , BETTERY			1			2017.12.01~
703	004	V2113606016	BOLT , HEX /S	M6X16		2		20081201	
703	005	V2183608020	BOLT , HEX/SP	M8X20		2		20081201	
703	006	18026014800	LOCK COMP , HOOD			1			EU Only
703	006	17136014800	LOCK COMP , HOOD	114X82.8X121.6		1			US Only
703	007	10031040020	INSULATOR , RADIATOR	T=10		2			
703	008	17136012400GB	COVER COMP , LH	170X64X37		1			
703	009	17136012300GB	COVER COMP , RH	170X64X37		1			
703	010	V2123606012	BOLT , HEX /SP	M6X12		4		20040401	
703	011	18021051100	ECU STAND COMP			1			
703	012	V2184610025	BOLT , HEX NORMAL MACHINE/SP	M10X25		2			
703	013	18021051200	BRACKET COMP , ECU			1			
703	014	V2184608020	BOLT , HEX/SP	M8X20		2			
703	015	02959610	CONTROL UNIT (ECU)			1			
703	016	V2123606025	BOLT , HEX /SP	M6X25		4			
703	017	13266212003	HORN			1			
703	018	V2123606016	BOLT , HEX /SP	M6X16		1		20081128	
703	019	18021025200GB	COVER , ECU			1			
703	020	V2053606035	BOLT , HEX C/R	M6X35		2			
703	021	V3802600060	NUT , HEX FLANGE	M6		2			
703	022	10034100010	INSULATOR, HOOD			1			
703	023	18026050011GB	HOOD SUPPORT			1			
703	024	V2173608050	BOLT . HEX/S	M8X50		2			
703	025	17136052103GB	HINGE COMP , HOOD			1			2017.09.01~
703	026	V2173610035	BOLT , HEX/S	M10X35		4		20081201	
703	027	18026022500GB	STAY COMP , RH			1			
703	028	18026022400GB	STAY COMP , LH			1			
703	029	V2183610020	BOLT , HEX/SP	M10X20		4		20070831	
703	030	17136113021GB	SUPPORT , RH SIDE			1			
703	031	17136113011GB	SUPPORT , LH SIDE			1			
703	032	V2123806012	BOLT . HEX /SP	M6X12		6			
703	033	18026022600GB	FRAME COMP , SIDE			2			
703	034	V2183608020	BOLT , HEX/SP	M8X20		4		20081201	
703	035	V2513408050	BOLT , STUD/2	M8X50		2			
703	036	V4011600080	WASHER , SPRING	M8		2		20081201	
703	037	V3042600080	NUT , HEX/2	M8		2		20081201	
703	038	14541063080	SEAL , LH	1X1X1		1			
703	039	18024050010	BRACKET , STEERING HOSE			2			
703	040	V2013614030	BOLT , HEX	M14X30		2			
703	041	V4011600140	WASHER , SPRING	M14		2		20080701	
703	042	17136040050	INSULATOR , SUPPORT			2		20100126	
703	043	18026301040	EXTENSION COVER			1			
703	044	18027071400GB	BRACKET COMP, EXTENTION COVER/			1			
NOTE									

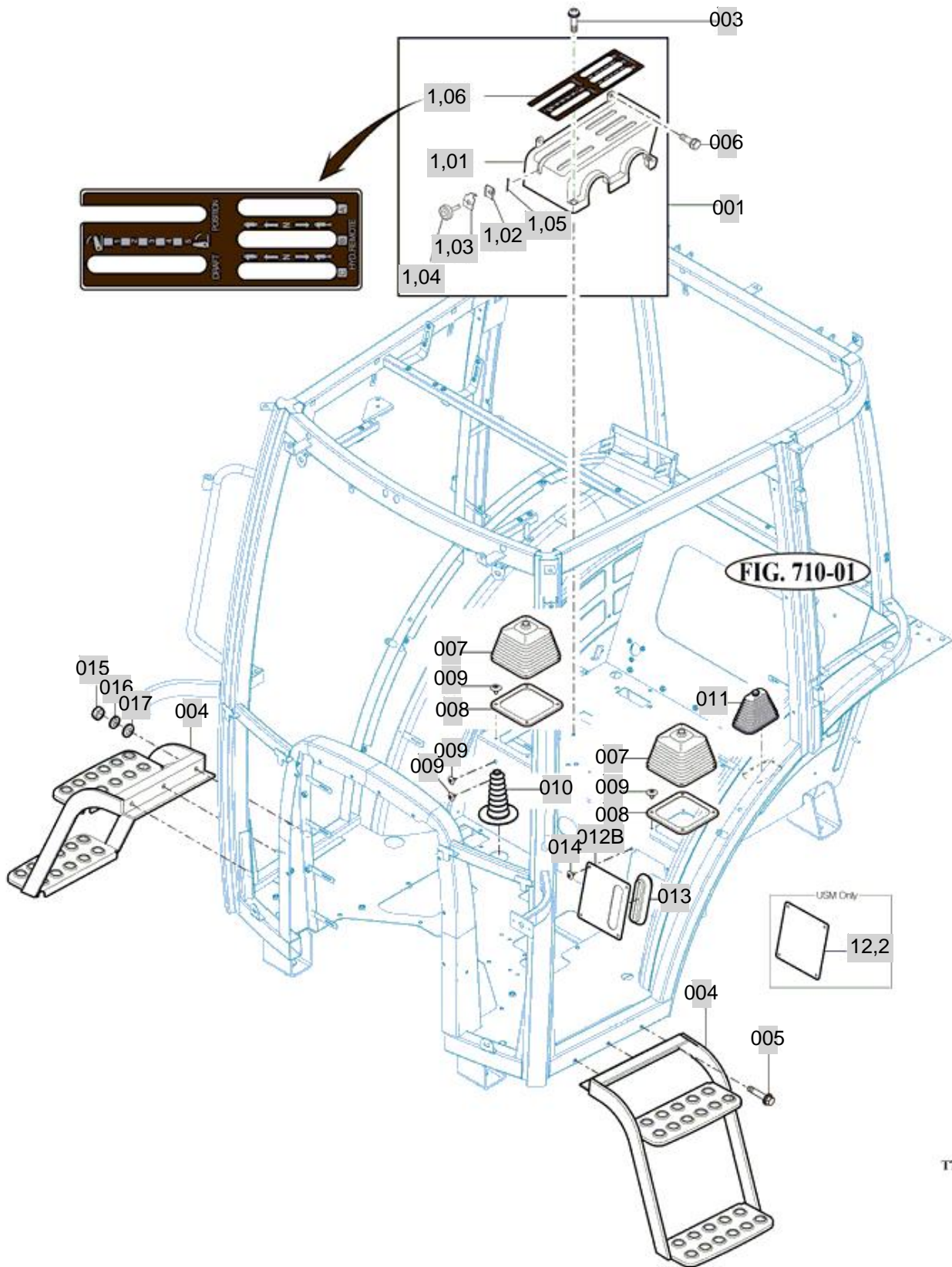
FIG 704

T754SC

LEVER COVER & STEP

년/월
Year/Month

2020.07



T743-K-704

NOTE

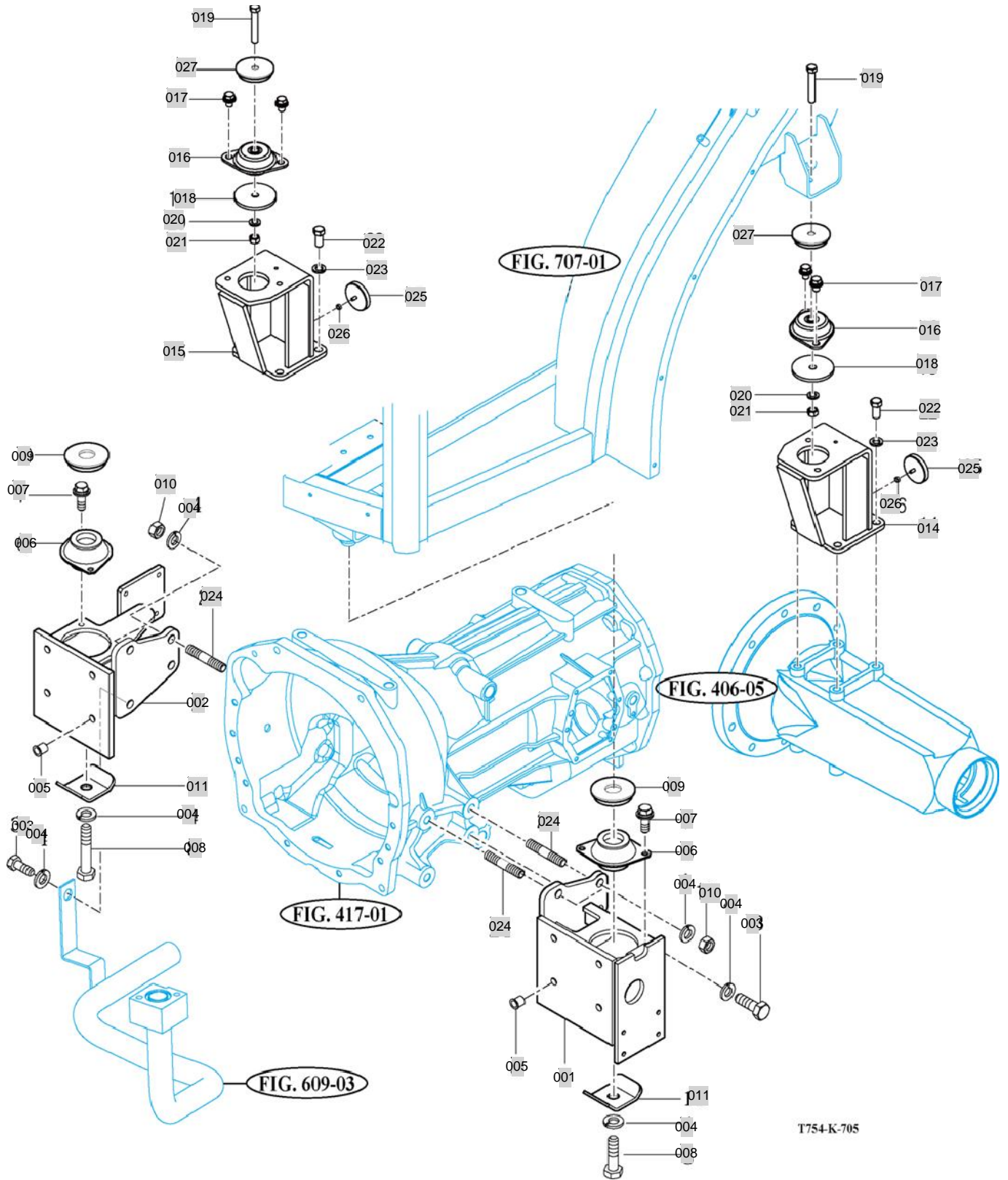
FIG 705

T754SC

FRONT & REAR MOUNTING

년/월
Year/Month

2020.07



NOTE

FIG 705		FRONT & REAR MOUNTING					년/월 Year/Month	
T754SC		2020.07						
KEY NO	PART NO	DESCRIPTION	SPEC	QTY	REPAIR	EFFECTIVE DATE	REMARKS	
705	001	19996252200GB	BRACKET COMP , FR/LH MOUNTING	18X21.3X28.8	1			
705	002	18026252300GB	BRACKET COMP , FR/RH MOUNTING		1		2016.05.01~	
705	003	V2013616035	BOLT , HEX	M16X35	4	20081226		
705	004	V4011600160	WASHER , SPRING	M16	10	20081226		
705	005	14326210110	CAP , M16		8			
705	006	17406250010	INSULATOR COMP . MOUNTING 70	1X1X1	2			
705	007	V2183610020	BOLT , HEX/SP	M10X20	4	20070831	2016.08.30~	
705	008	V2034616070	BOLT , HEX FINE	M16X70	2			
705	009	18026254100GB	HOLDER COMP, FR/MOUNTING		2		2016.08.30~	
705	010	V3043600160	NUT , HEX/2	M16	4	20080129		
705	011	18016250030GB	PLATE	1X1X1	2			
705	014	18016222101GB	MOUNTING BRACKET COMP, RR/LH	1X1X1	1			
705	015	18016223101GB	MOUNTING BRACKET COMP, RR/RH	1X1X1	1			
705	016	15966250010	INSULATOR	1X1X1	2			
705	017	V2183612020	BOLT , HEX/SP	M12X20	4			
705	018	17136250030GB	PLATE , 80X6T	D80*6	2			
705	019	V2014612075	BOLT , HEX	M12X75	2			
705	020	V4011600120	WASHER , SPRING	M12	2			
705	021	V3043600120	NUT , HEX/2	M12	2	20040901		
705	022	V2013614030	BOLT , HEX	M14X30	8			
705	023	V4011600140	WASHER , SPRING	M14	8	20080701		
705	024	V2513416035	BOLT , STUD/2	M16X35	4			
705	025	13606571000	REAR REFLECTOR	1X1X1	2			
705	026	V3012600050	NUT , HEX/2	M5	2			
705	027	15706264100GB	HOLDER COMP, RR/MOUNTING		2		2016.08.30~	
NOTE								

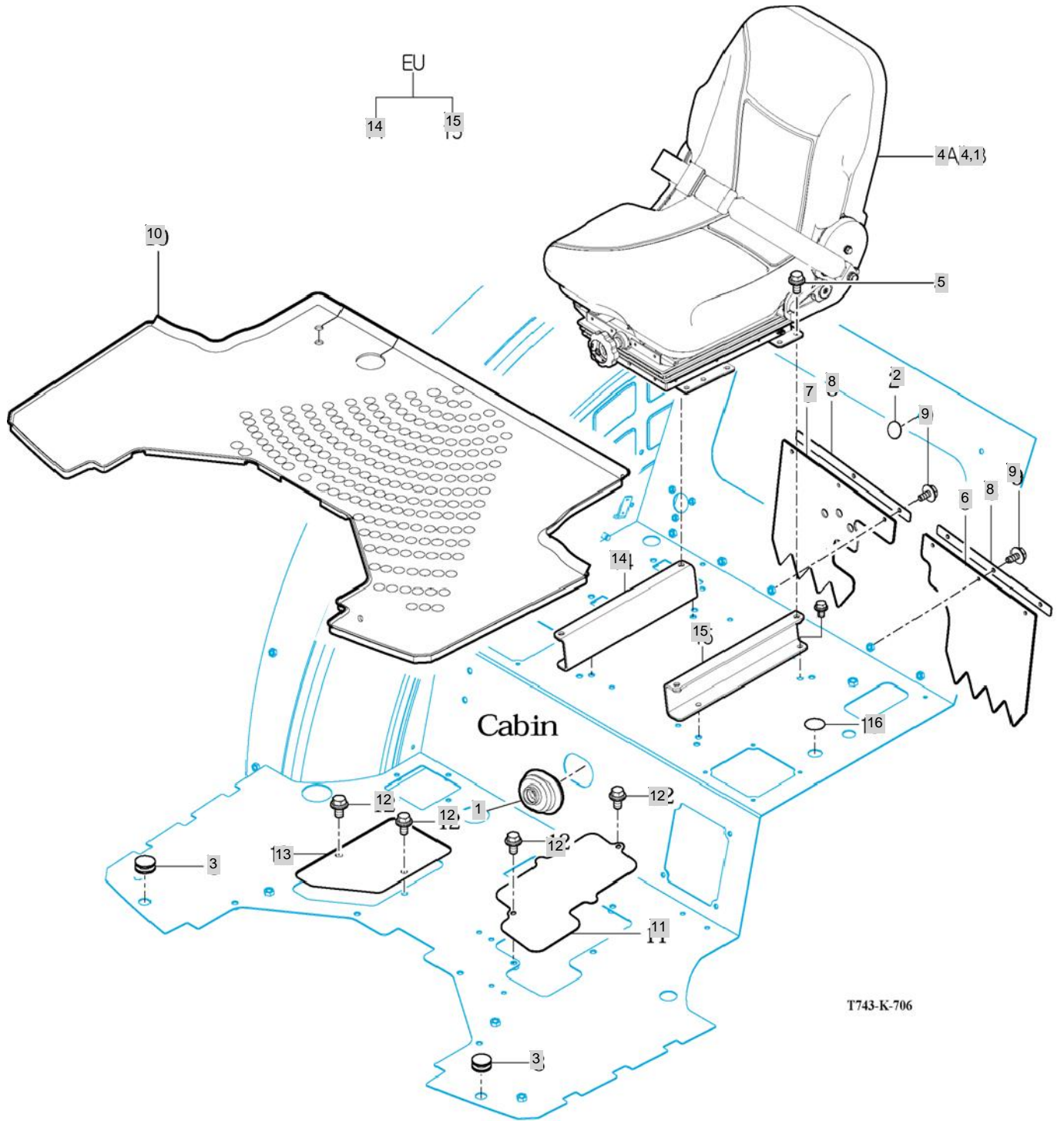
FIG 706

SEAT & MAT

년/월
Year/Month

2020.07

T754SC



NOTE

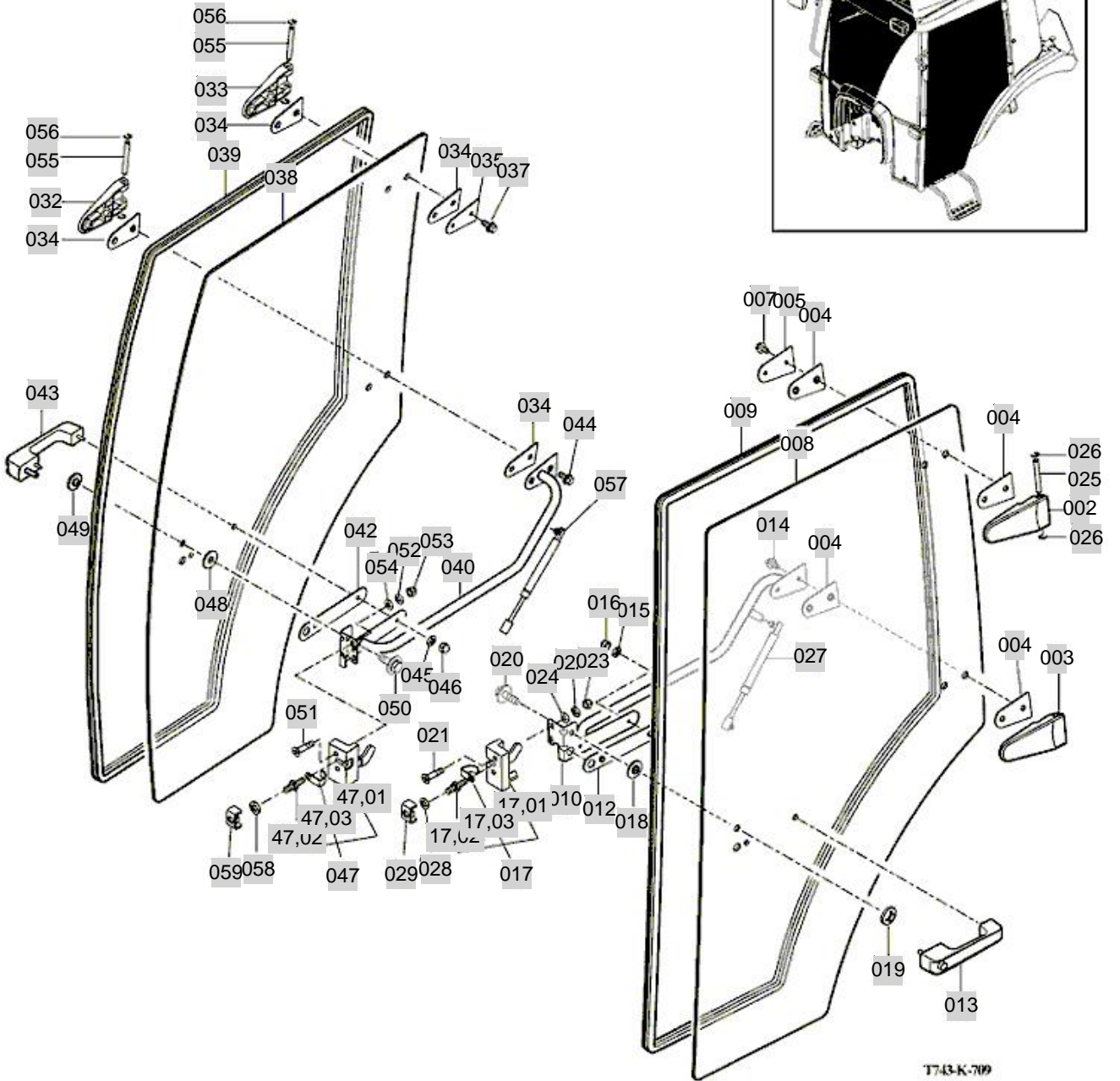
FIG 709

DOOR

년/월
Year/Month

T754SC

2020.07



T743-K-709

NOTE

FIG 709		DOOR					년/월 Year/Month		
							2020.07		
T754SC		KEY NO	PART NO	DESCRIPTION	SPEC	QTY	REPAIR	EFFECTIVE DATE	REMARKS
709	002	14527052300	HINGE COMP , UPR/LH	1X1X1	1				
709	003	14527052400	HINGE COMP , UPR/RH	1X1X1	1				
709	004	14527052110	GASKET , DOOR HINGE	1X1X1	4				
709	005	14527052120GB	PLATE , DOOR HINGE	1X1X1	1				
709	007	V2183608020	BOLT , HEX/SP	M8X20	2			20081201	
709	008	14527052131	GLASS , LH/ DOOR	6T	1			20060911	
709	009	14527052140	INSULATOR/DOOR	1X1X1	1			20100311	
709	010	14527052500GB	GUIDE COMP ,LH/ DOOR	1X1X1	1				
709	012	14527052150	GASKET,DOOR GRIP	1X1X1	1				
709	013	14527052600	GRIP ASSY, LOCK/HANDLE	1X1X1	1				
709	014	V2183608020	BOLT , HEX/SP	M8X20	2			20081201	
709	015	V4011600060	WASHER , SPRING	M6	2			20040901	
709	016	V3402700060	NUT , HEX CAP	M6	2				
709	017	14527052700	LOCK SET , LH/DOOR	1X1X1	1				
709	018	15817401130	GROMMET , 13X17X02		1			20061101	
709	019	14527042500	NUT COMP , GLASS	1X1X1	1				
709	020	V2193606012	BOLT , HEX/SPL	M6X12	1			20040401	
709	021	V1122608040	SCREW , C/R FLAT	M8X40	2				
709	022	V4011600080	WASHER , SPRING	M8	2			20081201	
709	023	V3412700080	NUT , SMALL CAP	M8	2				
709	024	V4111600080	WASHER , PLAIN	M8	2			20081201	
709	025	14527041110	PIN, HINGE DOOR	D=8	2				
709	026	V7082400070	E-RING	7	4				
709	027	14527301080	DAMPER ASSY , DOOR	1X1X1	1				
709	028	V4011600100	WASHER , SPRING	M10	1			20081001	
709	029	14527062500GB	BRACKET COMP , DOOR LOCK	1X1X1	1				
709	032	14527052300	HINGE COMP , UPR/LH	1X1X1	1				
709	033	14527052400	HINGE COMP , UPR/RH	1X1X1	1				
709	034	14527052110	GASKET , DOOR HINGE	1X1X1	4				
709	035	14527052120GB	PLATE , DOOR HINGE	1X1X1	1				
709	037	V2183608020	BOLT , HEX/SP	M8X20	2			20081201	
709	038	14527053131	GLASS , RH/ DOOR	6T	1				
709	039	14527052140	INSULATOR/DOOR	1X1X1	1			20100311	
709	040	14527053500GB	GUIDE COMP ,RH/DOOR	1X1X1	1				
709	042	14527052150	GASKET,DOOR GRIP	1X1X1	1				
709	043	14527052600	GRIP ASSY, LOCK/HANDLE	1X1X1	1				
709	044	V2183608020	BOLT , HEX/SP	M8X20	2			20081201	
709	045	V4011600060	WASHER , SPRING	M6	2			20040901	
709	046	V3402700060	NUT , HEX CAP	M6	2				
709	047	14527053700	LOCK SET , RH/DOOR	1X1X1	1				
709	048	15817401130	GROMMET , 13X17X02		1			20061101	
709	049	14527042500	NUT COMP , GLASS	1X1X1	1				
709	050	V2193606012	BOLT , HEX/SPL	M6X12	1			20040401	
709	051	V1122608040	SCREW , C/R FLAT	M8X40	2				
709	052	V4011600080	WASHER , SPRING	M8	2			20081201	
NOTE									

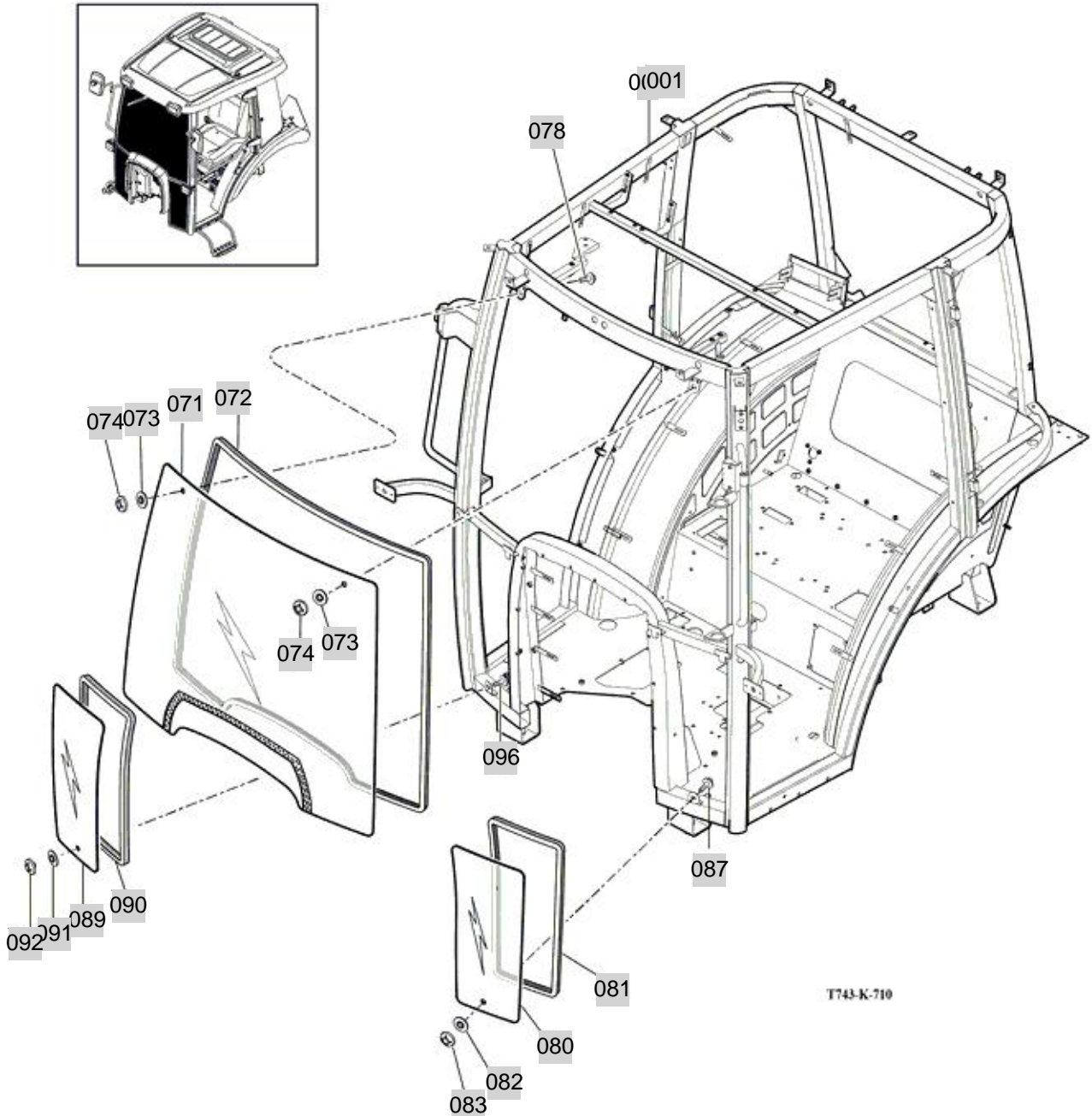
FIG 710

FRONT GLASS

년/월
Year/Month

T754SC

2020.07



NOTE

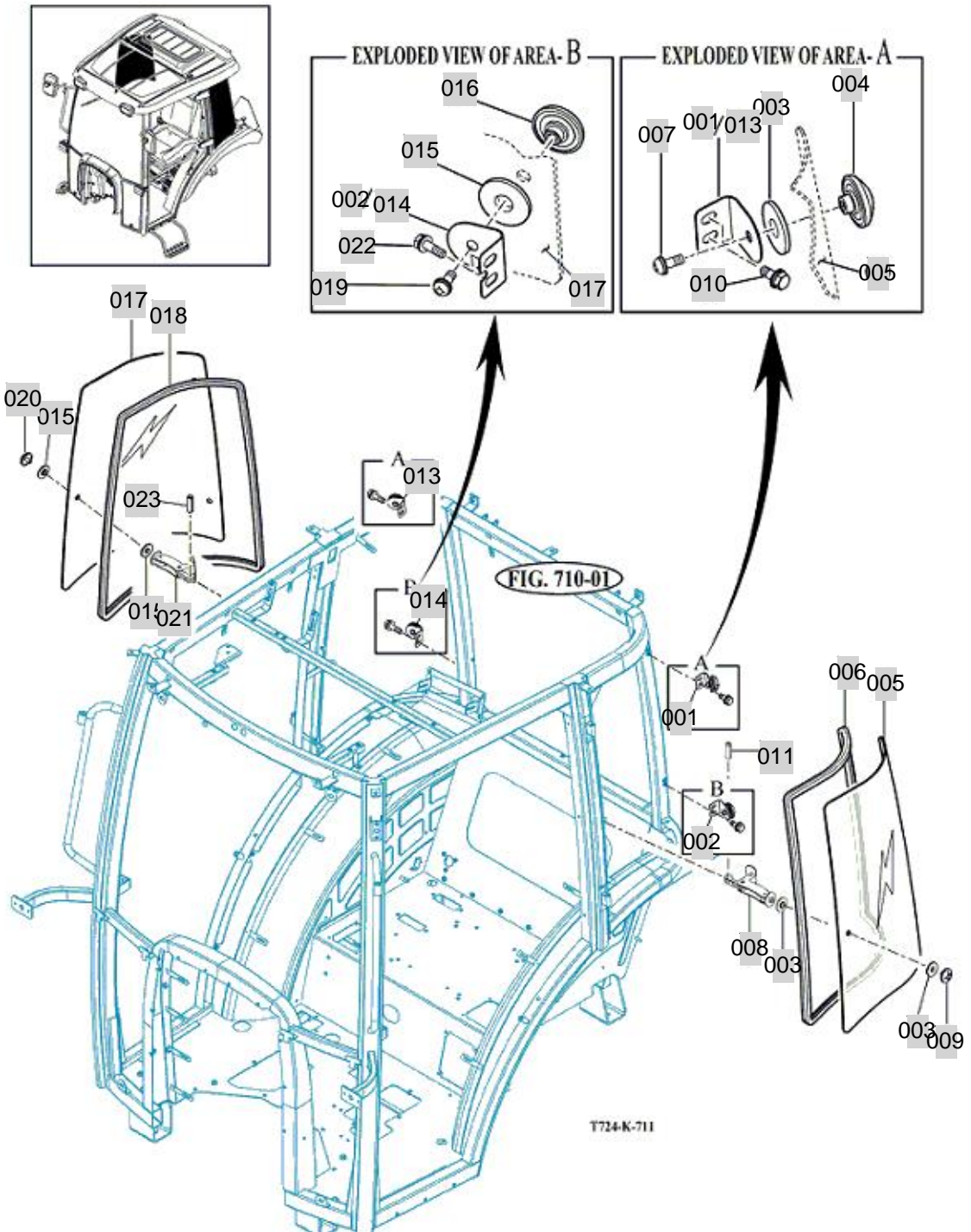
FIG 711

T754SC

SIDE GLASS

년/월
Year/Month

2020.07



NOTE

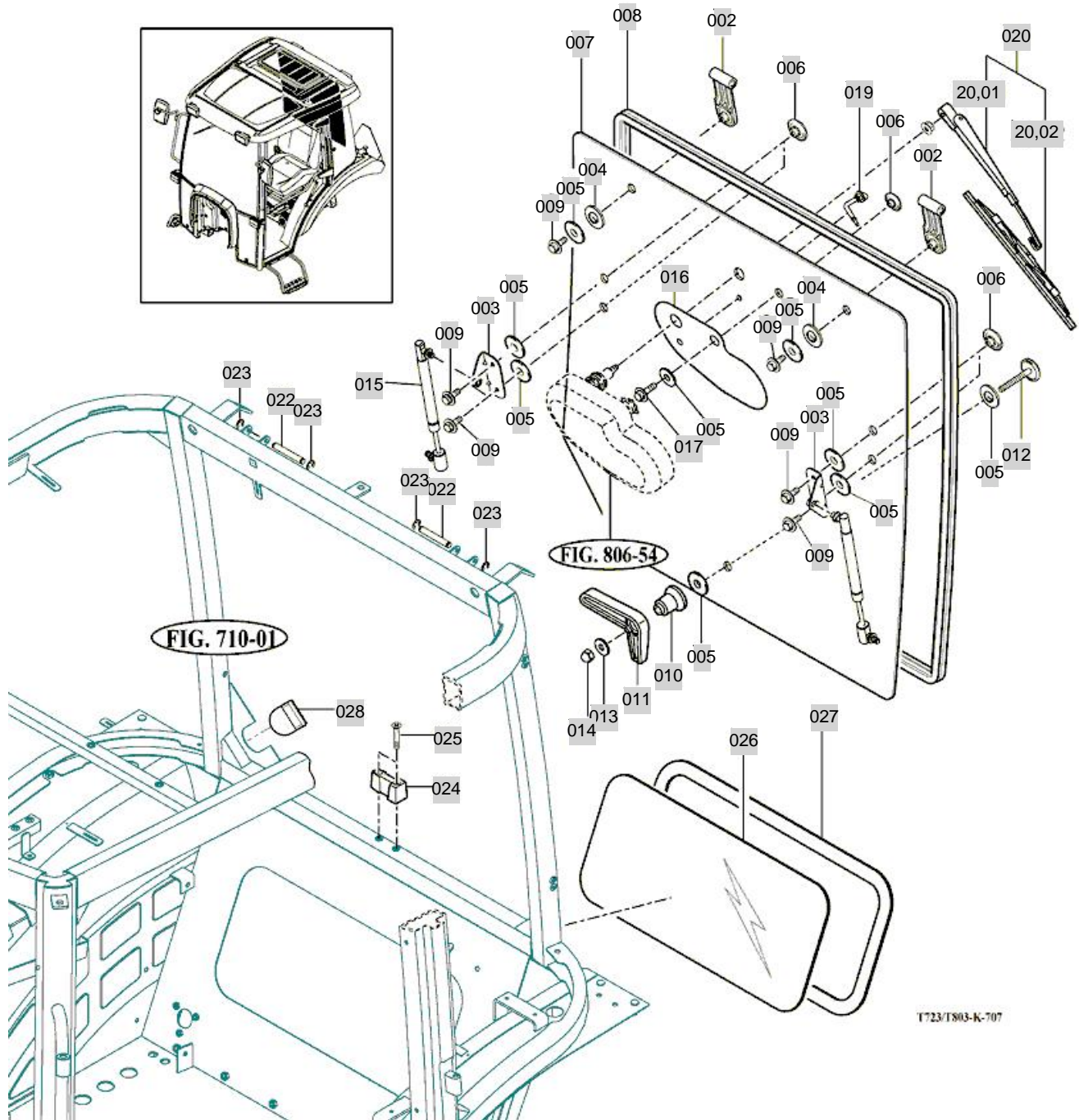
FIG 712

T754SC

REAR GLASS

년/월
Year/Month

2020.07



T723/T803-K-707

NOTE

FIG 712 T754SC	REAR GLASS						년/월 Year/Month	
							2020.07	

KEY NO	PART NO	DESCRIPTION	SPEC	QTY	REPAIR	EFFECTIVE DATE	REMARKS
712	002	14527042301	HINGE , REAR GLASS/M6	1X1X1	2		
712	003	14527042400GB	BRACKET COMP, RR/DAMPER	1X1X1	2		
712	004	15817401140GB	WASHER , 7X36X3	T=3.2	2		
712	005	15817401130	GROMMET , 13X17X02		9	20061101	
712	006	14527042500	NUT COMP , GLASS	1X1X1	5		
712	007	10017042110	GLASS , REAR	T=5.0	1		
712	008	10017042120	INSULATOR , RR/GLASS	1X1X1	1		
712	009	V2193606012	BOLT , HEX/SPL	M6X12	6	20040401	
712	010	14527042140	SPACE , HANDLE/REAR	N6	1		
712	011	14527042150	HANDLE , GLASS/REAR	N6	1		
712	012	14527042600	BOLT COMP, GLASS /M8L	1X1X1	1		
712	013	21447350060	WASHER , 08X22X02	T=2.3	1		
712	014	V3412700080	NUT , SMALL CAP	M8	1		
712	015	14527022200	DAMPER ASSY, RR	15KG	2		
712	016	17687030031	LABEL , COVER	T=0.08	1		
712	017	V2193606020	BOLT , HEX/SPL	M6X20	1		
712	019	16997027700	NOZZLE SET		1		
712	020	16997033400	WIPER & BLADE ASSY , RR	1X1X1	1		
712	022	14527040060	PIN , RR / HINGE	D=8	2		
712	023	V7082400070	E-RING	7	4		
712	024	14527040050	STOPPER , RR/LOCK	N6	1		
712	025	V1112806040	SCREW , C/R PAN	M6X40	2		
712	026	14527071370	GLASS , REAR LOWER	T=5	1		
712	027	17687011250	INSULATOR , RR LOW	L=1514	1	20060929	
712	028	10017042010	CAP , GLASS/REAR	1X1X1	1		
712	02001	16997034100	ARM , 258		1		
712	02002	16997035100	BLADE , 300	1X1X1	1		

NOTE

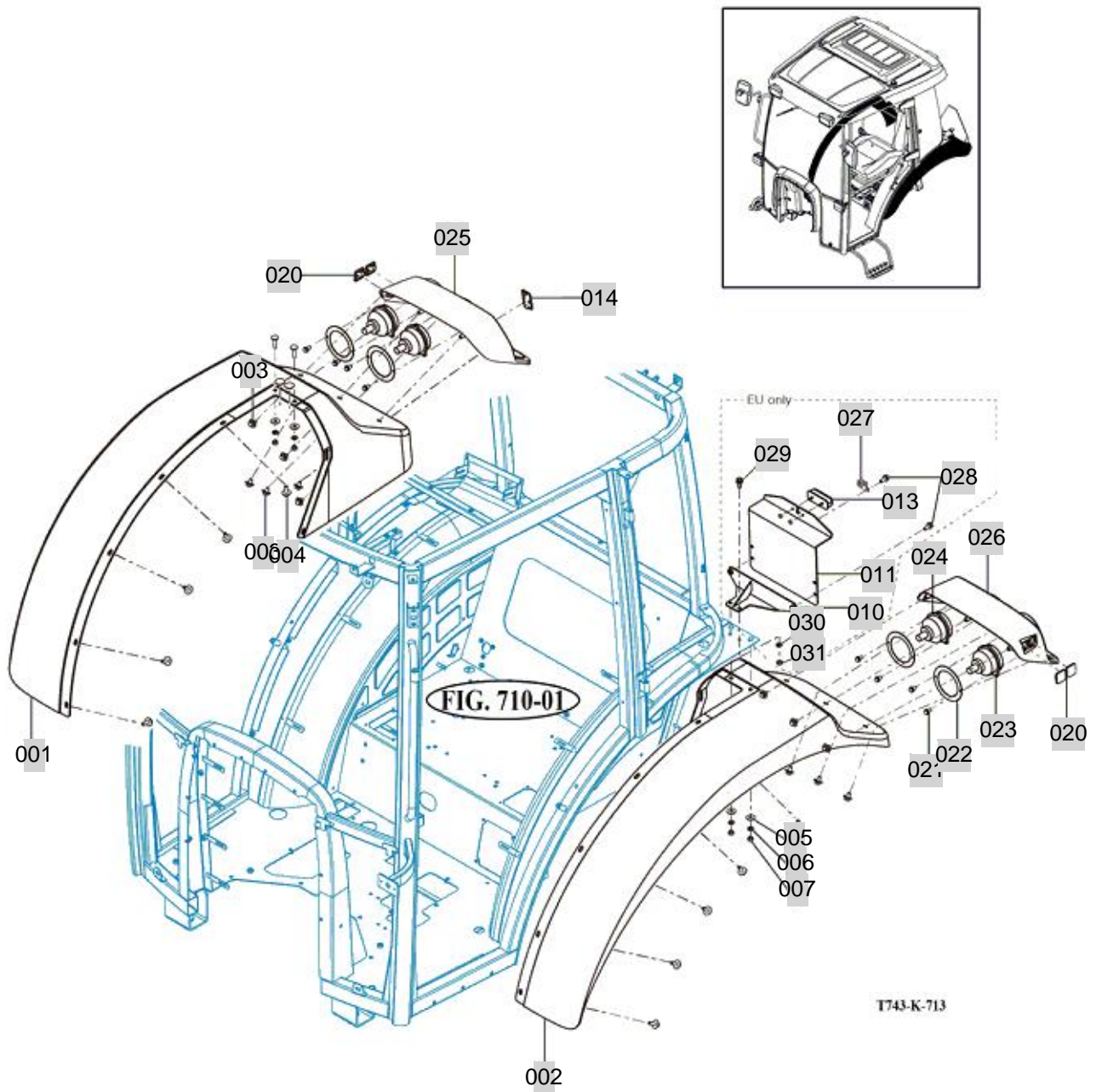
FIG 713

T754SC

SUB FENDER & COVER

년/월
Year/Month

2020.07



NOTE

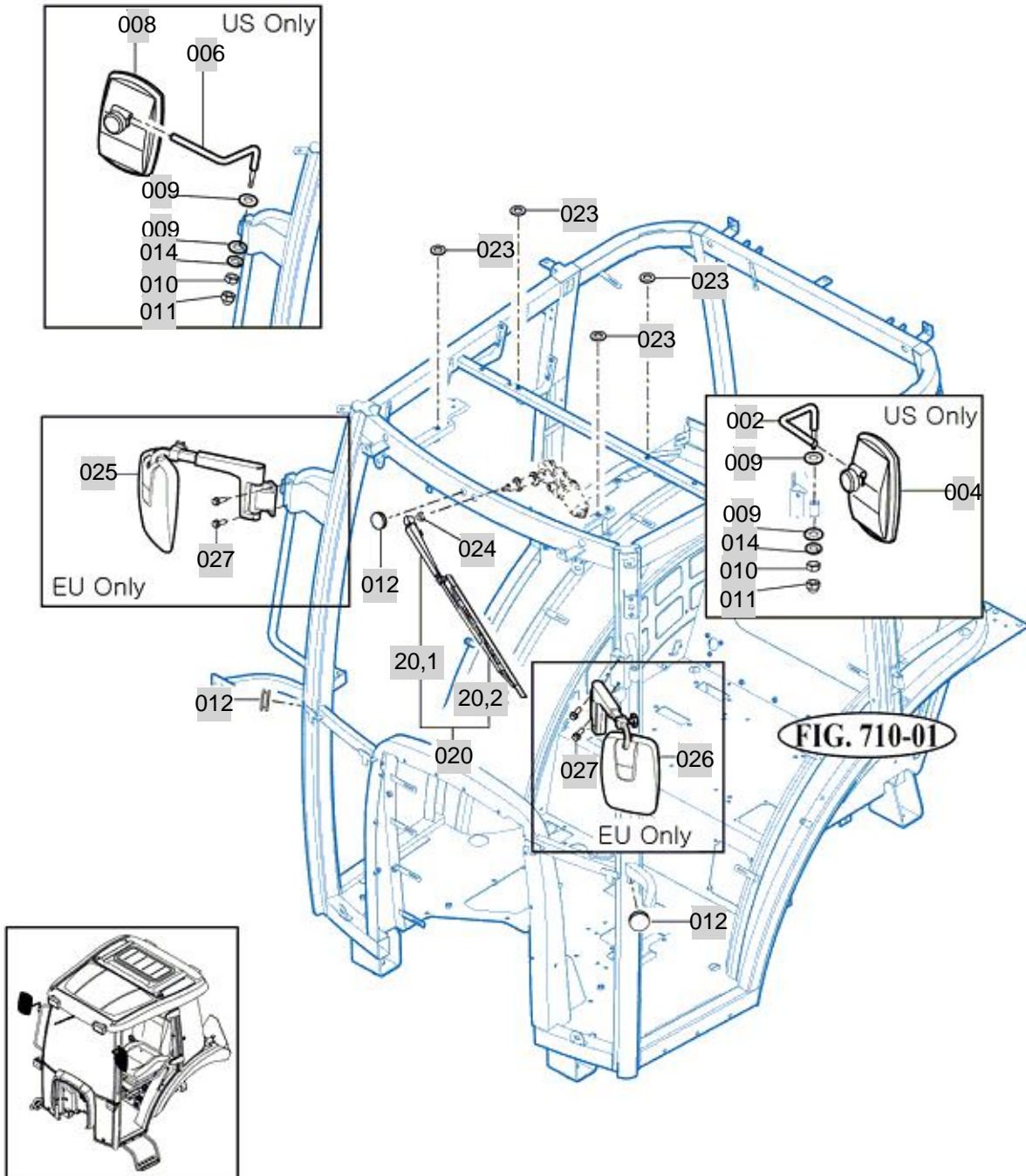
FIG 714

T754SC

MIRROR

년/월
Year/Month

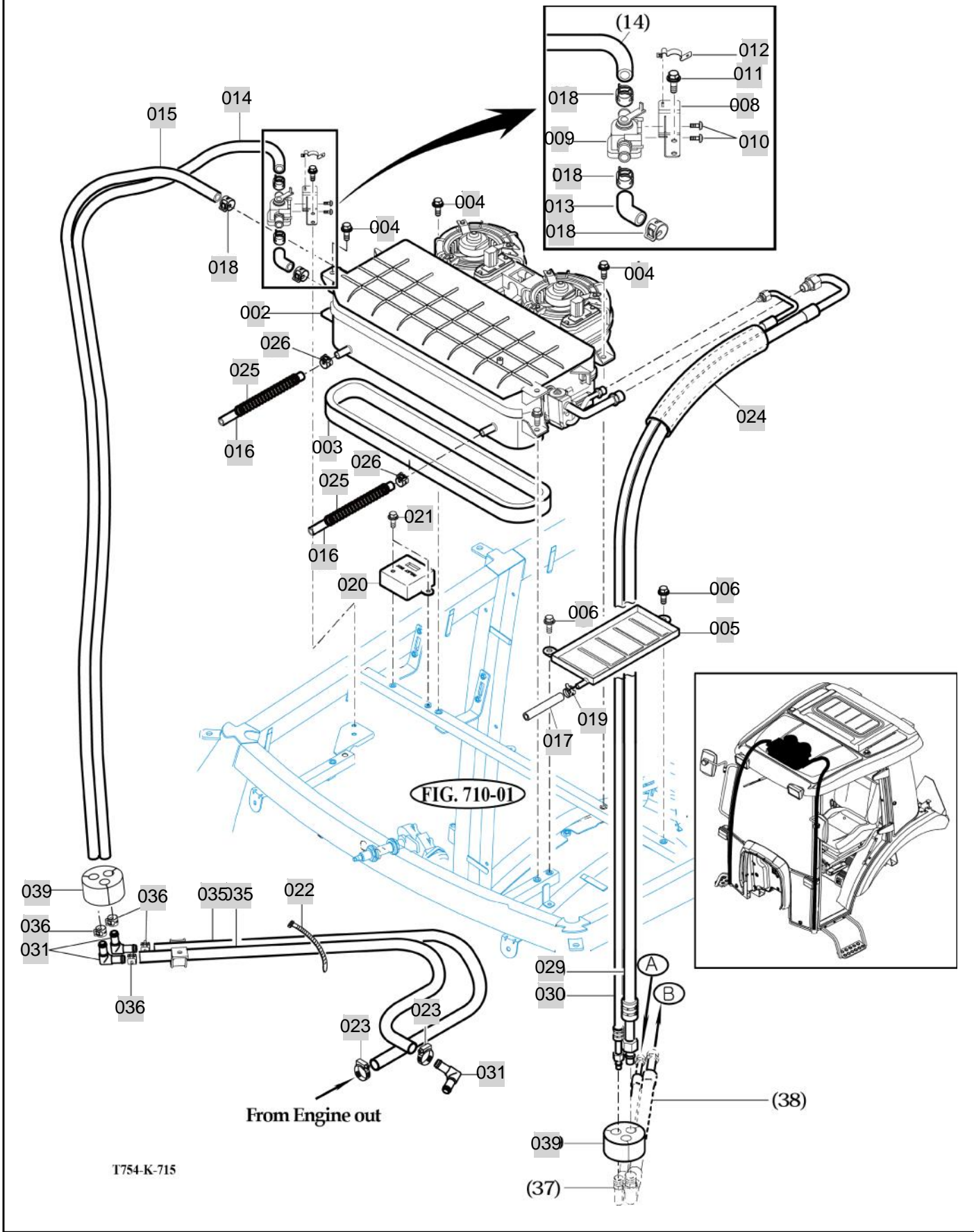
2020.07



T743-K-714

NOTE

T754SC



T754-K-715

NOTE

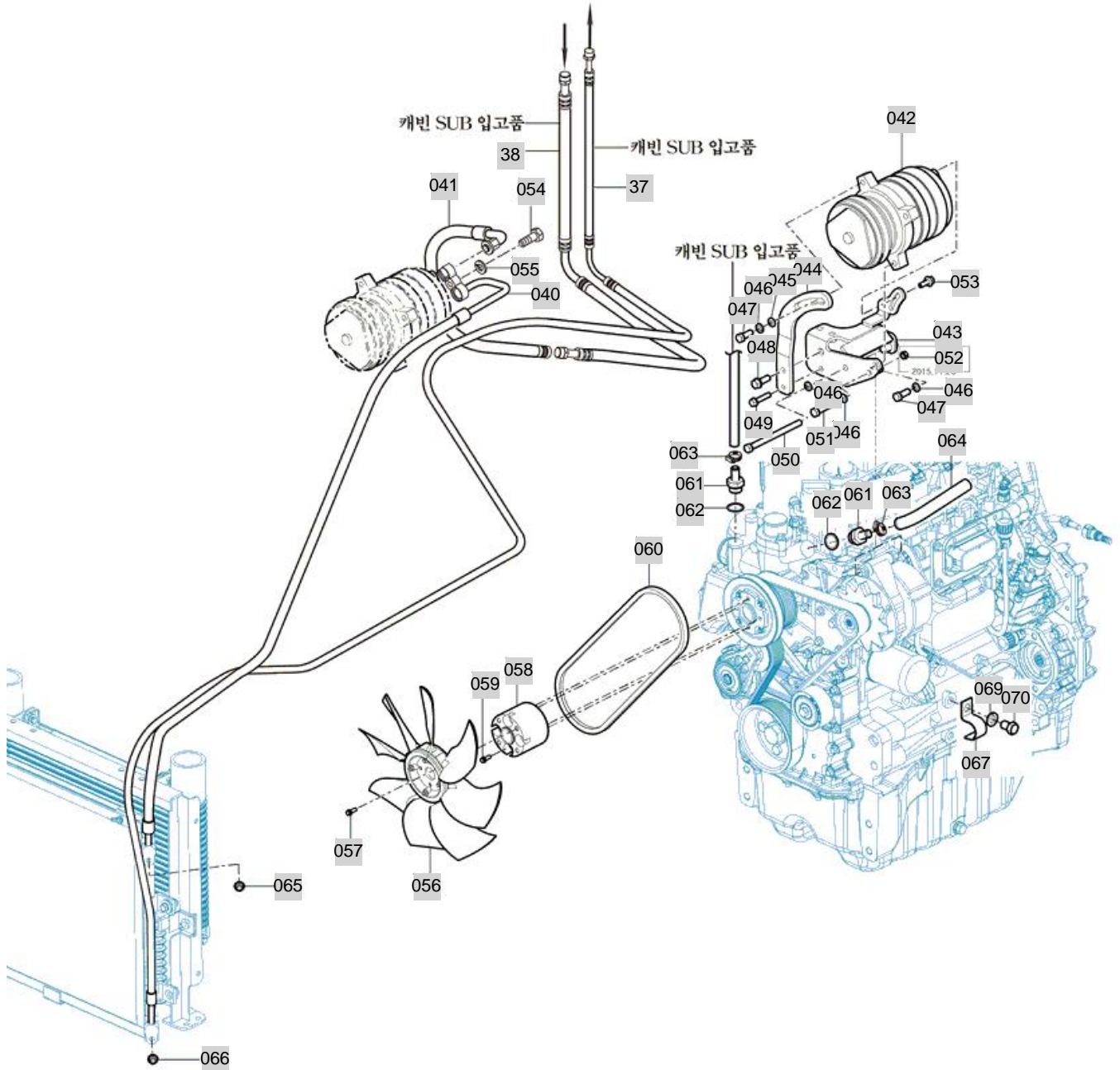
FIG 715-2

HEATER & AIR-CON

년/월
Year/Month

T754SC

2020.07



NOTE

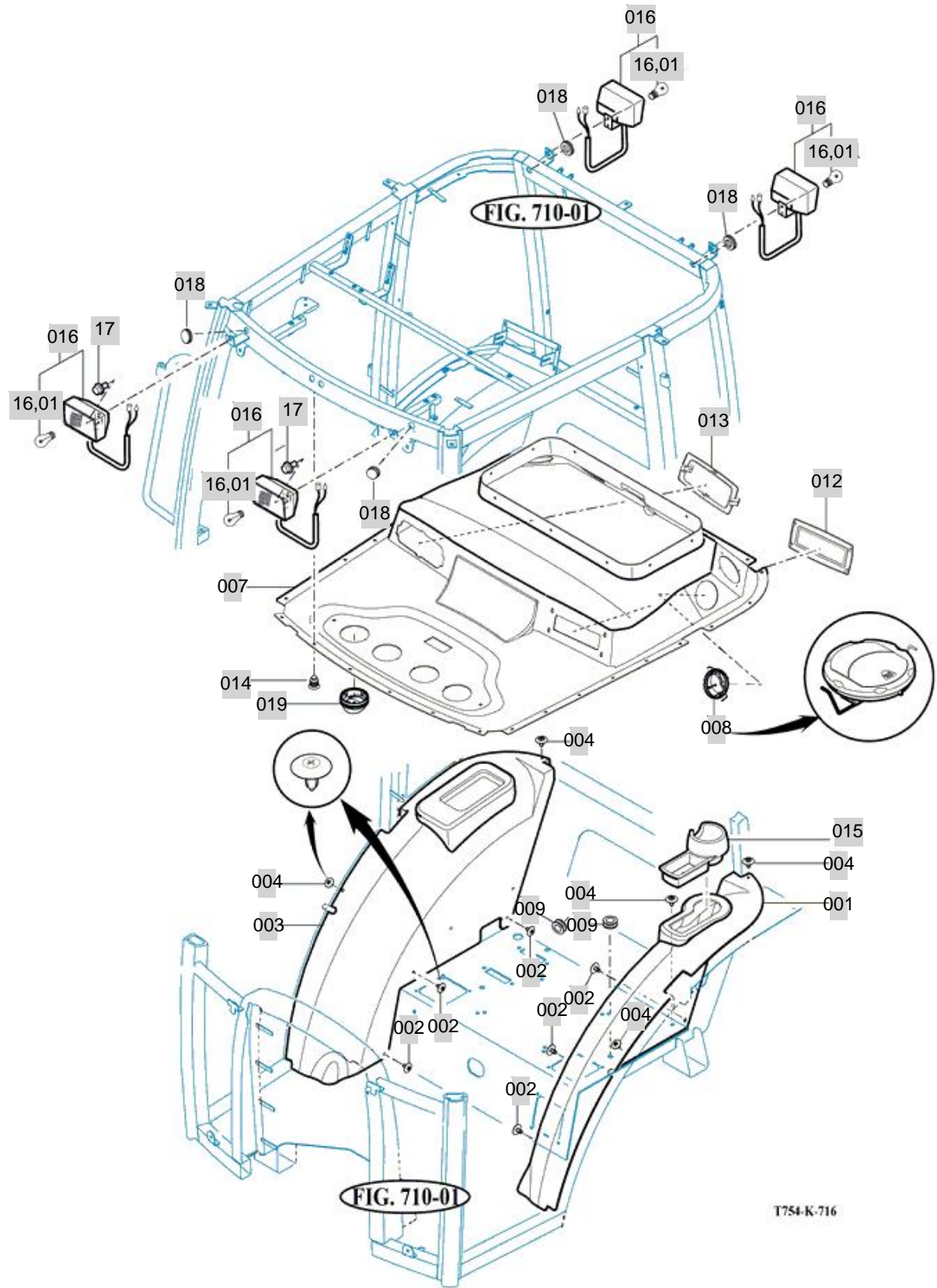
FIG 715-2		HEATER & AIR-CON						년/월	
								Year/Month	
T754SC		2020.07							
KEY NO	PART NO	DESCRIPTION	SPEC	QTY	REPAIR	EFFECTIVE DATE	REMARKS		
715-2	040	10038303400	HOSE ASSY , LIQ	1X1X1	1				
715-2	041	18028303031	HOSE ASSY , SUC		1				
715-2	042	16608303202	COMPRESSOR ASSY		1		2018.07.19~		
715-2	043	18021051302GB	BRACKET COMP , COMPRESSOR		1				
715-2	044	18021051401GB	BRACKET UPPER COMP , COMPRESSOR		1				
715-2	045	V4111600100	WASHER , PLAIN	M10	1	20081201			
715-2	046	V4011600100	WASHER , SPRING	M10	4	20081001			
715-2	047	V2143610035	BOLT .HEX FINE MACHINE/S	M10X35	2				
715-2	048	V2173610030	BOLT , HEX/S	M10X30	1				
715-2	049	V2173608040	BOLT , HEX/S	M8X40	1				
715-2	050	V2013610130	BOLT , HEX	M10X130	1	20031106			
715-2	051	V2013610120	BOLT , HEX	M10X120	1				
715-2	052	V3043600100	NUT , HEX/2	M10	1	20030401			
715-2	053	V2183608025	BOLT , HEX/SP	M8X25	1	20071001			
715-2	054	V2143610035	BOLT .HEX FINE MACHINE/S	M10X35	1				
715-2	055	V4111600100	WASHER , PLAIN	M10	1	20081201			
715-2	056	17861030790	FAN , S1H 422		1				
715-2	057	V2173608020	BOLT , HEX/S	M8X20	4	20120501	2017.05.26~		
715-2	058	18021000060	SPACER, FAN		1				
715-2	059	V2173608060	BOLT , HEX/S	M8X60	4				
715-2	060	18028300010	V BELT , REC A38		1				
715-2	061	18028200051	NIPPLE , M22		2				
715-2	062	18505482141	WASHER , GASKET M22		2				
715-2	063	37481850030	BAND , HOSE 18.5	1/2 3/4	2	20120105			
715-2	064	18027081121	HEATER HOSE , JOINT		1				
715-2	065	V3802600080	NUT , HEX FLANGE	M8	1	20120501			
715-2	066	V3802600060	NUT , HEX FLANGE	M6	1				
715-2	067	18021055300GB	CLAMP D30		1				
715-2	069	V4011600140	WASHER , SPRING	M14	1	20080701			
715-2	070	V2013614020	BOLT , HEX	M14X20	1				
NOTE									

FIG 716

FENDER COVER

년/월
Year/Month

2020.07



T754-K-716

NOTE

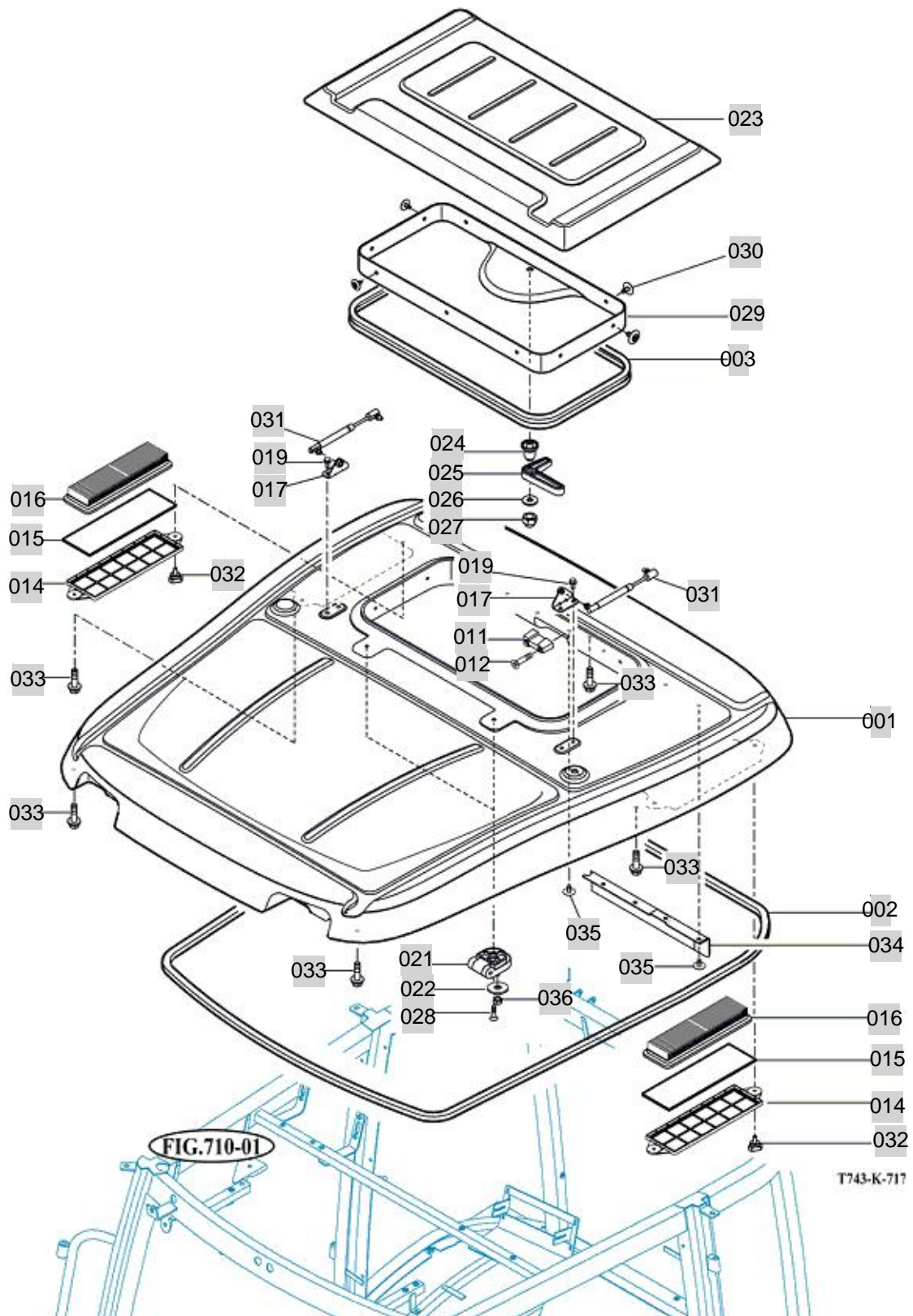
FIG 717

T754SC

ROOF

년/월
Year/Month

2020.07



NOTE

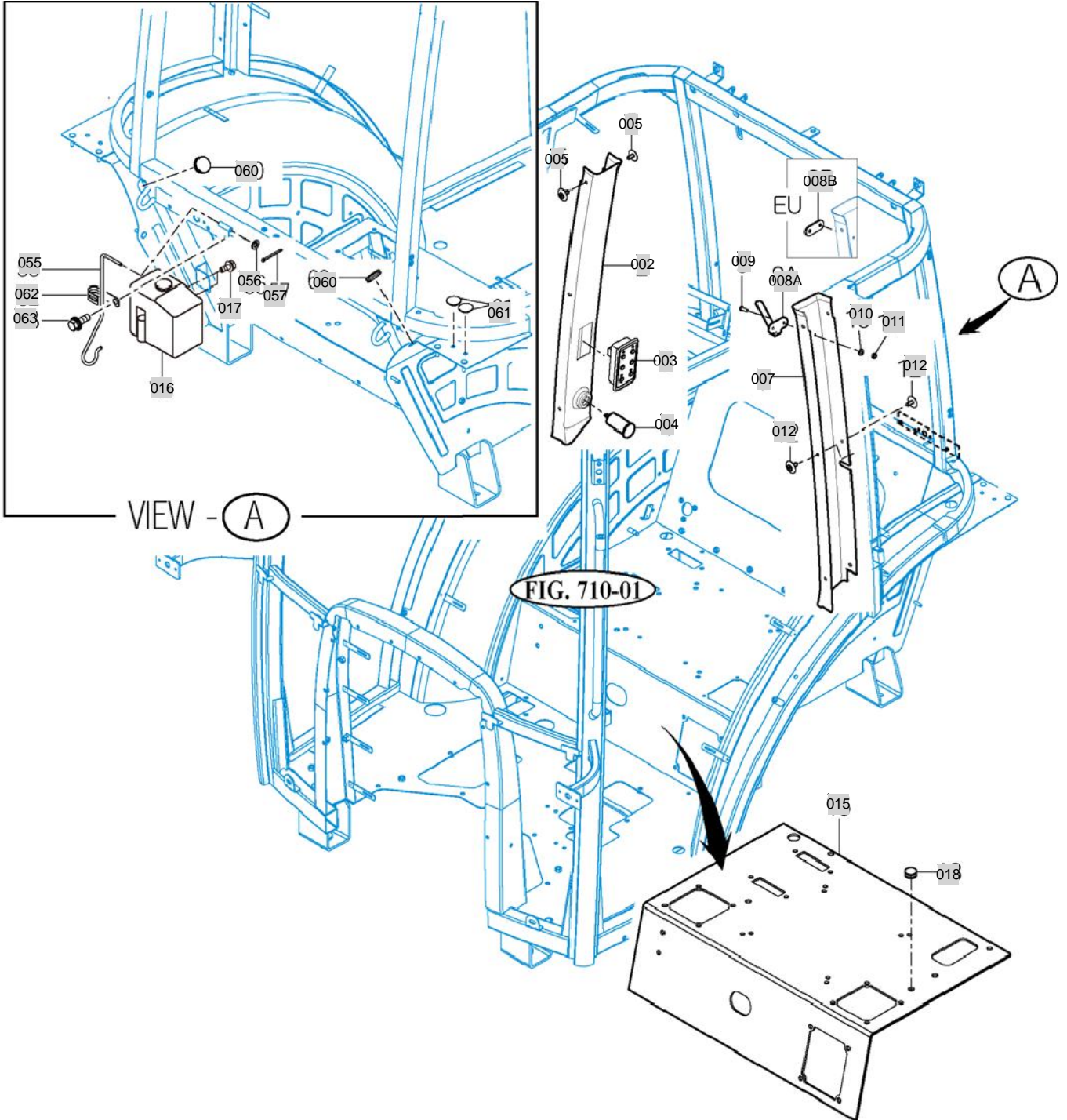
FIG 718

CABIN INTERIOR

년/월
Year/Month

T754SC

2020.07



T724-K-718

NOTE

8. ELECTRICALS & HARNESS PART NO. T754SC-C8

FIG 801 BATTERY & MOUNTING	226
FIG 802 HARNESS	228
FIG 803 LIGHT & BACK LAMP	230
FIG 804 INSTRUMENT PANEL	232
FIG 805 ELECTRIC SYSTEM (1)	234
FIG 806 ELECTRIC SYSTEM (2)	236

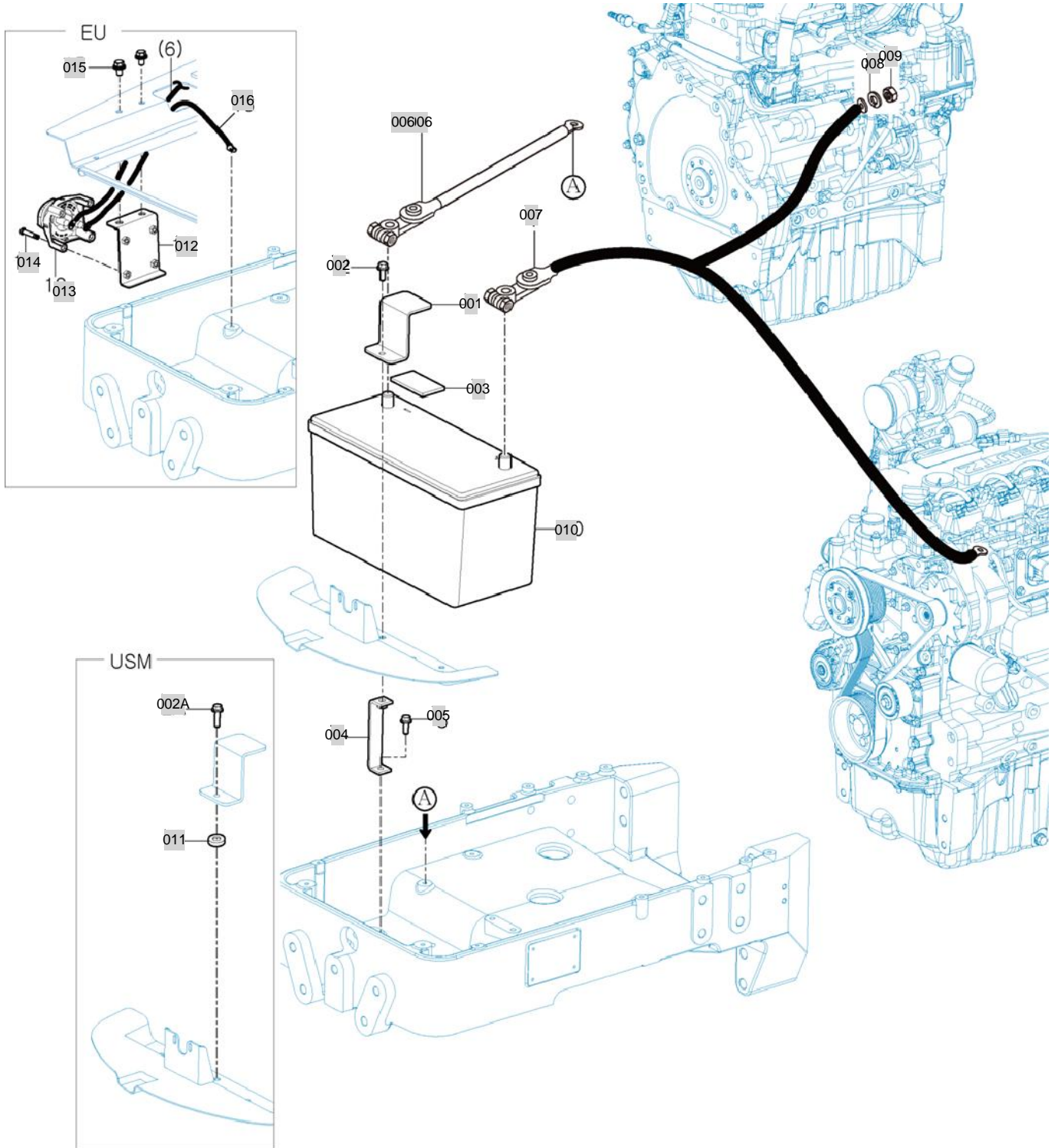
FIG 801

BATTERY & MOUNTING

년/월
Year/Month

2020.07

T754SC



NOTE

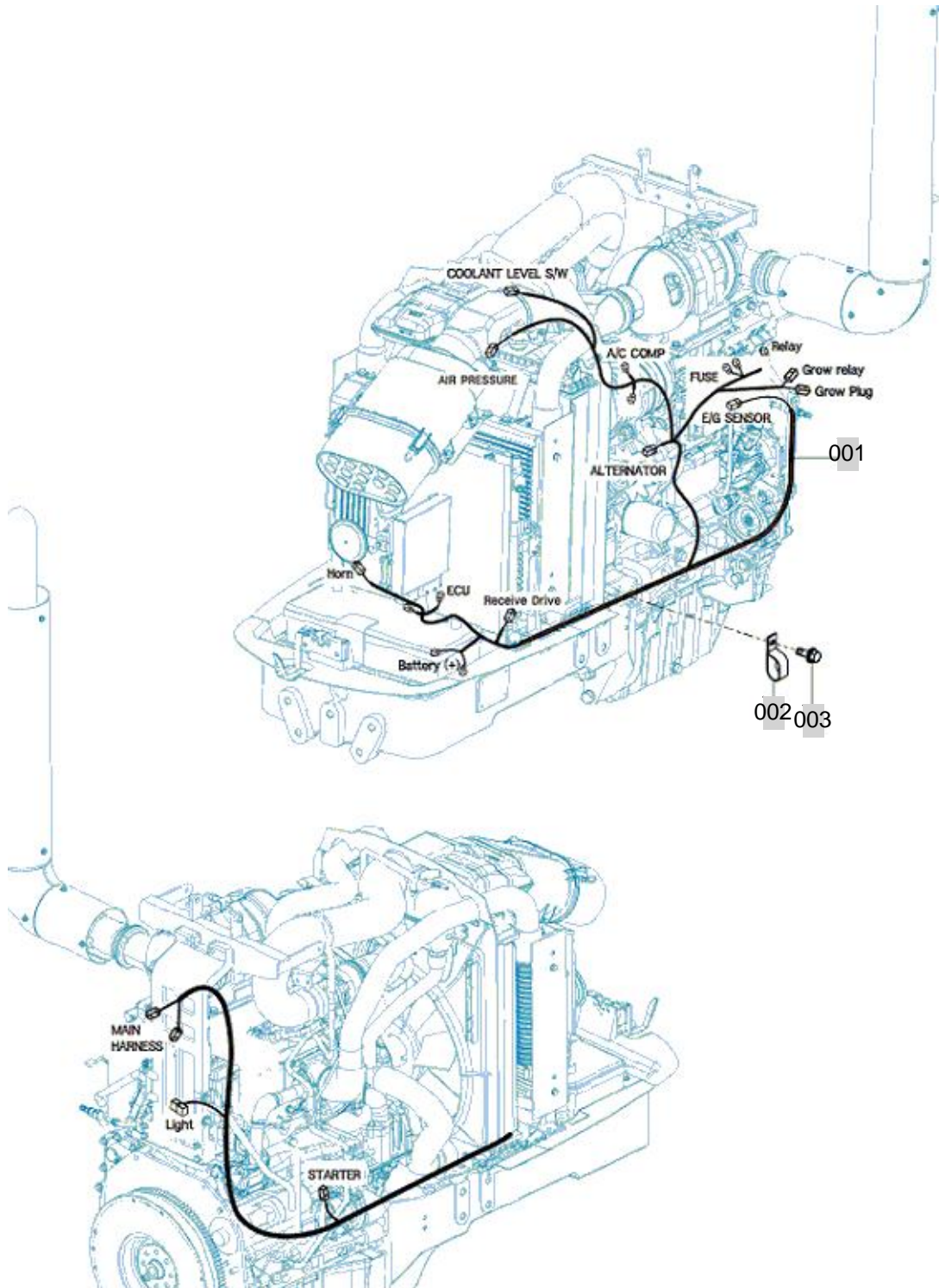
FIG 802

HARNESS

년/월
Year/Month

T754SC

2020.07



NOTE

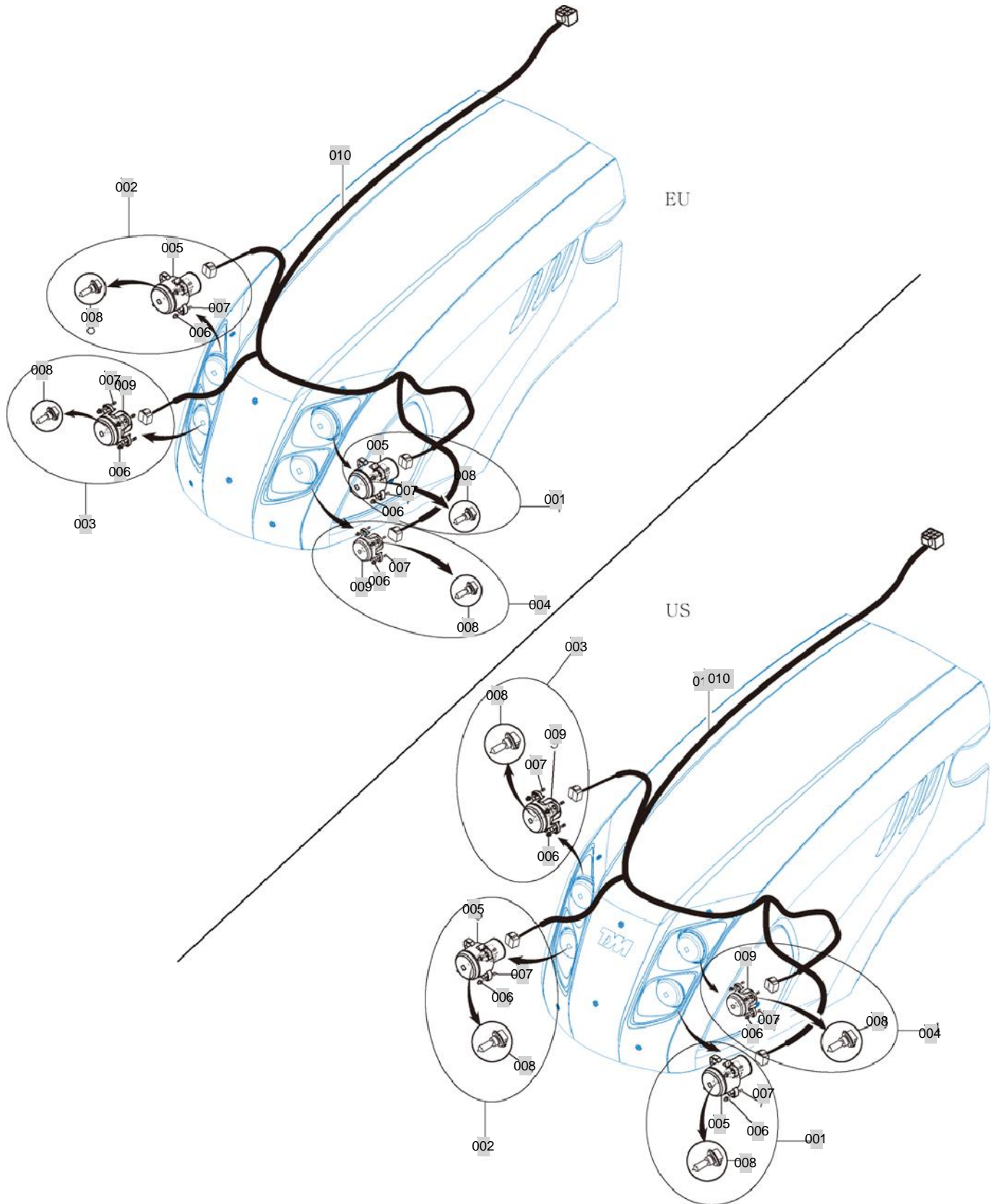
FIG 803

LIGHT & BACK LAMP

년/월
Year/Month

2020.07

T754SC



NOTE

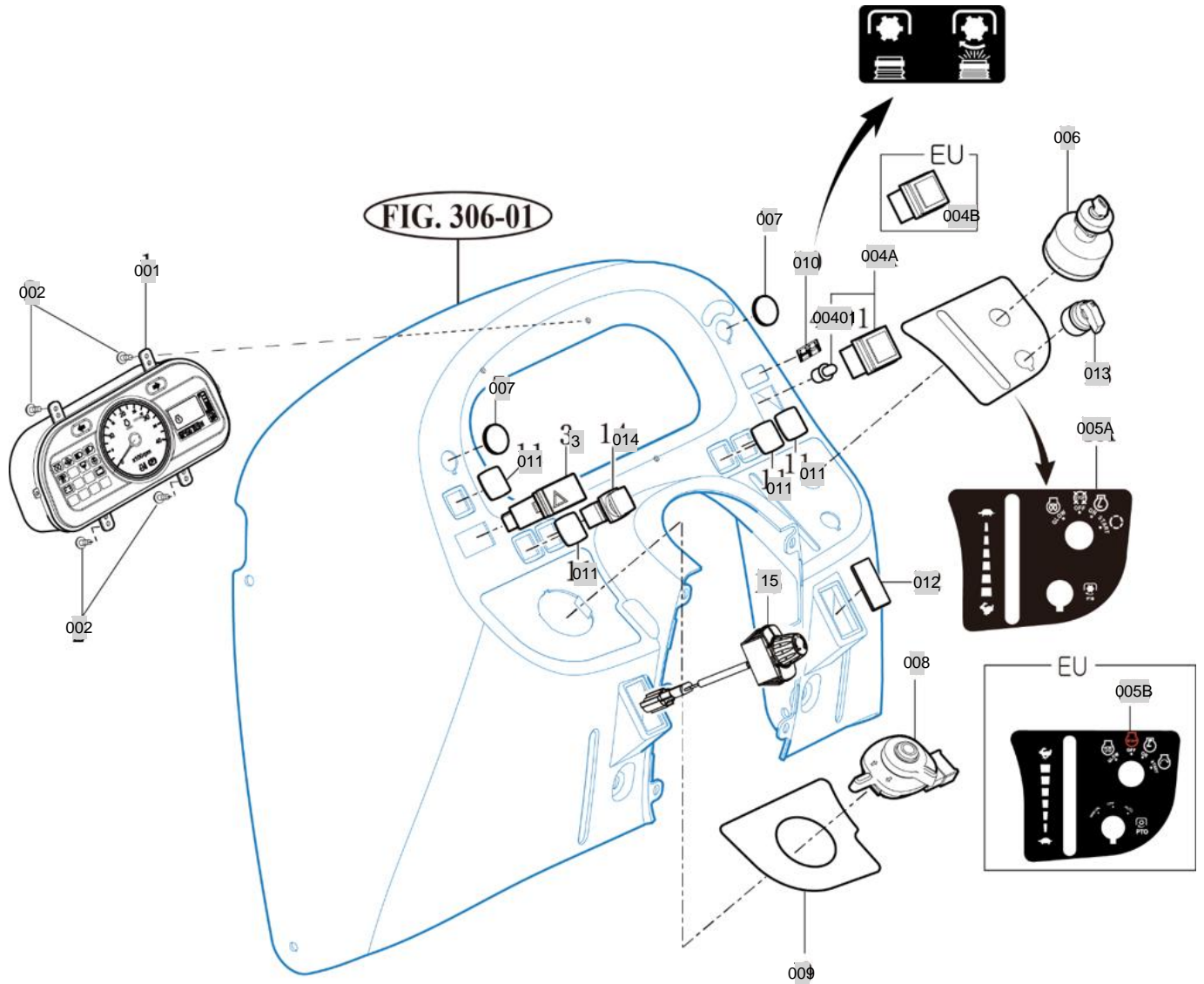
FIG 804

INSTRUMENT PANEL

년/월
Year/Month

2020.07

T754SC



T754-K-804

NOTE

FIG 805

ELECTRIC SYSTEM (1)

년/월
Year/Month

2020.07

T754SC

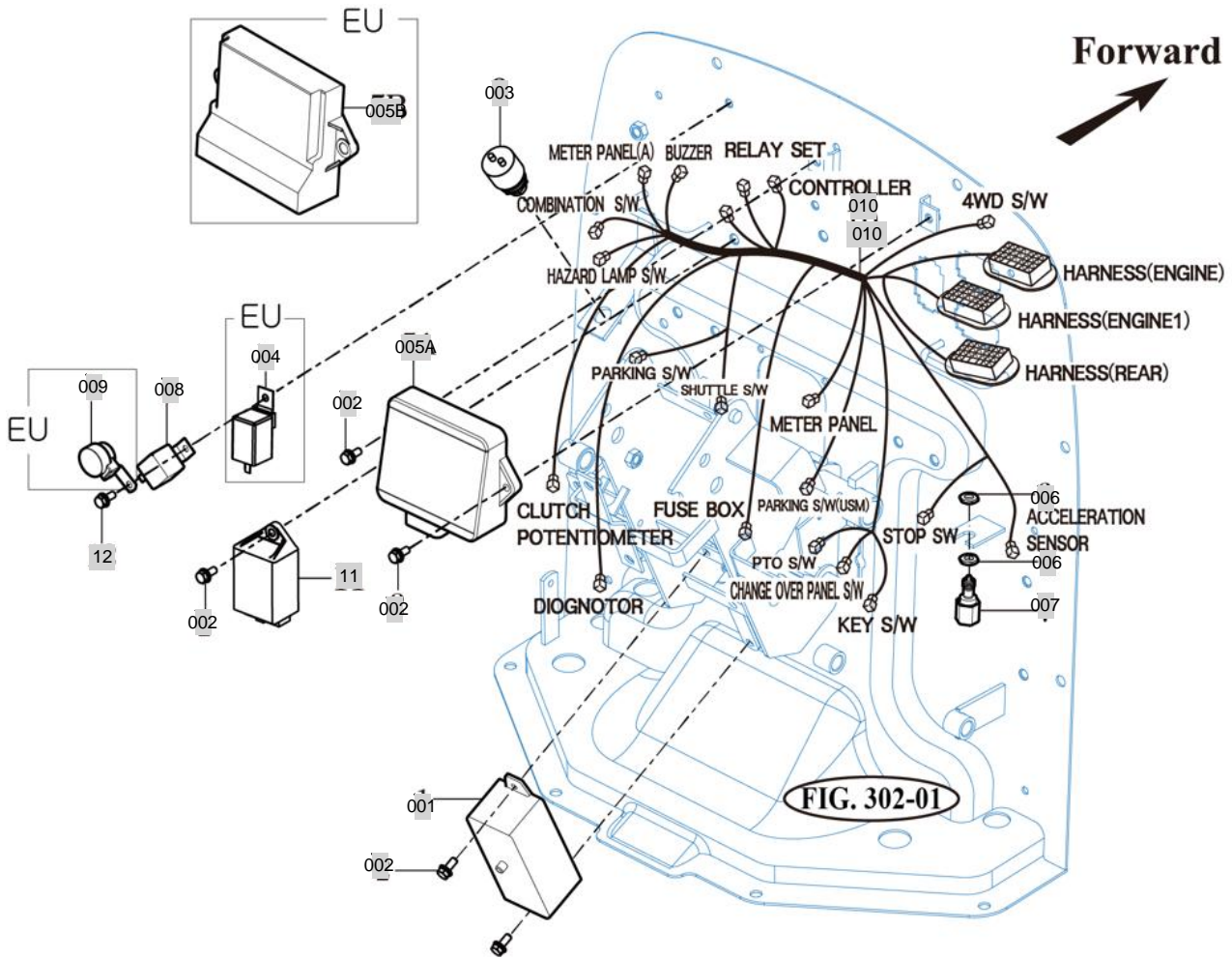


FIG. 302-01

T754SC-K-805

NOTE

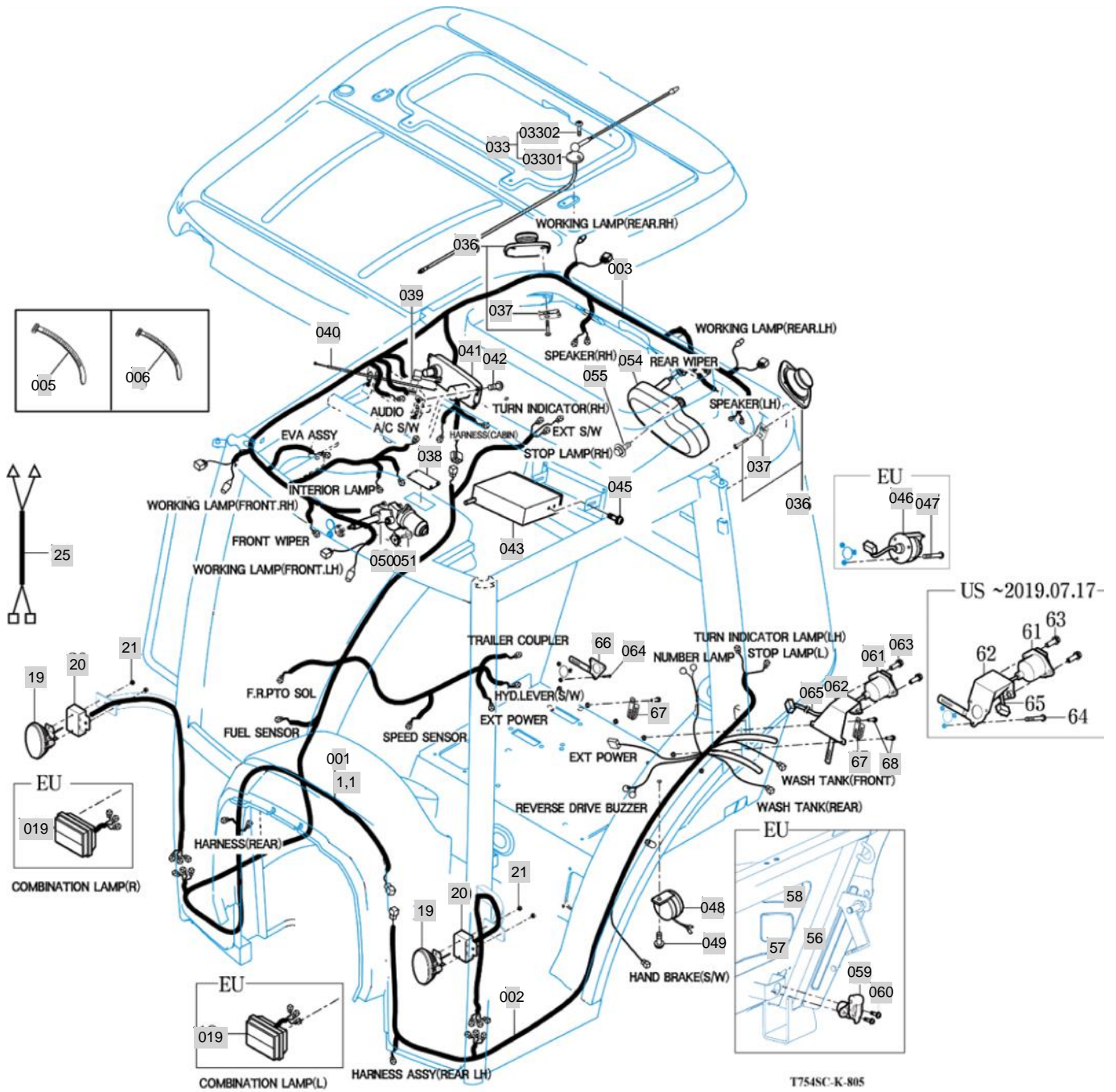
FIG 806

T754SC

ELECTRIC SYSTEM (2)

년/월
Year/Month

2020.07



T754SC-K-805

NOTE

FIG 806 T754SC		ELECTRIC SYSTEM (2)						년/월 Year/Month
								2020.07
KEY NO	PART NO	DESCRIPTION	SPEC	QTY	REPAIR	EFFECTIVE DATE	REMARKS	
806	001	18176683102	HARNESS ASSY , REAR					
806	002	18016683204	HARNESS ASSY , REAR LH					
806	003	14527024905	HARNESS ,CABIN					
806	005	13424020060	CABLE TIE , 250	1X1X1	5	20111227		
806	006	13764020030	CABLE TIE , 140		5			
806	19	11446562001	LAMP ASSY , FR TURN SIGNAL		2		US Only	
806	019	13606562000	LAMP , POSITION	1X1X1	2		EU Only	
806	20	18026562000GB	BRACKET COMP , SIDE LAMP		2		US Only	
806	21	V3802600050	NUT , HEX FLANGE	M5	4		US Only	
806	25	11446682120	HARNESS ASSY, LAMP CONNECT		1		US Only	
806	033	14527072300	ANTENNA ASSY	1X1X1	1			
806	036	14527025501	SPEAKER SET		2			
806	037	14527073120	SPRING NUT, SCREW	M4	8			
806	038	16997024500	LAMP ASSY , ROOM	12V 10W	1			
806	039	17687025300	CLIP , CABLE	1X1X1	1	20101102		
806	040	14527082230	CABLE ASSY, WATER VALVE	1X1X1	1			
806	041	14527082220	CONTROLLER ASSY, AIR CON	1X1X1	1			
806	042	V1112605012	SCREW , C/R PAN	M5X12	4			
806	043	17817024804	CD PLAYER ASSY		1			
806	045	V1222605016	SCREW , C/R PAN/SP	M5X16	2			
806	046	13267028202	SOCKET ASSY , TRAILER		1		EU Only	
806	047	V1112605030	SCREW , C/R PAN	M5X30	3		EU Only	
806	048	34522812402	BUZZER ASSY		1			
806	049	V2183608020	BOLT , HEX/SP	M8X20	1	20081201		
806	050	14527062600	MOTOR ASSY, FR/ WIPER	1X1X1	1			
806	051	V2193606020	BOLT , HEX/SPL	M6X20	1			
806	054	16997032000	MOTOR ASSY , WIPER		1			
806	055	V2193606020	BOLT , HEX/SPL	M6X20	1			
806	059	18717028201	POWER SOCKET ASSY		1		EU Only	
806	060	V1222805016	SCREW , C/R PAN/SP	M5X16	2		EU Only	
806	061	13307028201	SOCKET ASSY , TRAILER		1		US Only	
806	062	11467028100GB	BRACKET COMP , SOCKET		1		US Only	
806	063	V2183608020	BOLT , HEX/SP	M8X20	2		US Only	
806	064	V1222805016	SCREW , C/R PAN/SP	M5X16	3		US Only	
806	065	11436683200	HARNESS ASSY , TRAILER		1		US Only	
806	66	11467028200GB	BRACKET COMP , BLOCK		1		US Only	
806	67	37371720090	CLAMP , W/HARNESS		2		US Only	
806	68	V2123606020	BOLT , HEX /SP	M6X20	2		US Only	
806	03301	14527072310	ANTENNA	1X1X1	1			
806	03302	V1907004020	SCREW , TAPPING	M4X20	2			
NOTE								

9. WEIGHT,LABEL,TOOLS PART NO. T754SC-C9

FIG 901 TOOL & ACCESSORY	239
FIG 902 WEIGHT	241
FIG 903 LABEL	243
FIG 903-2 LABEL	246

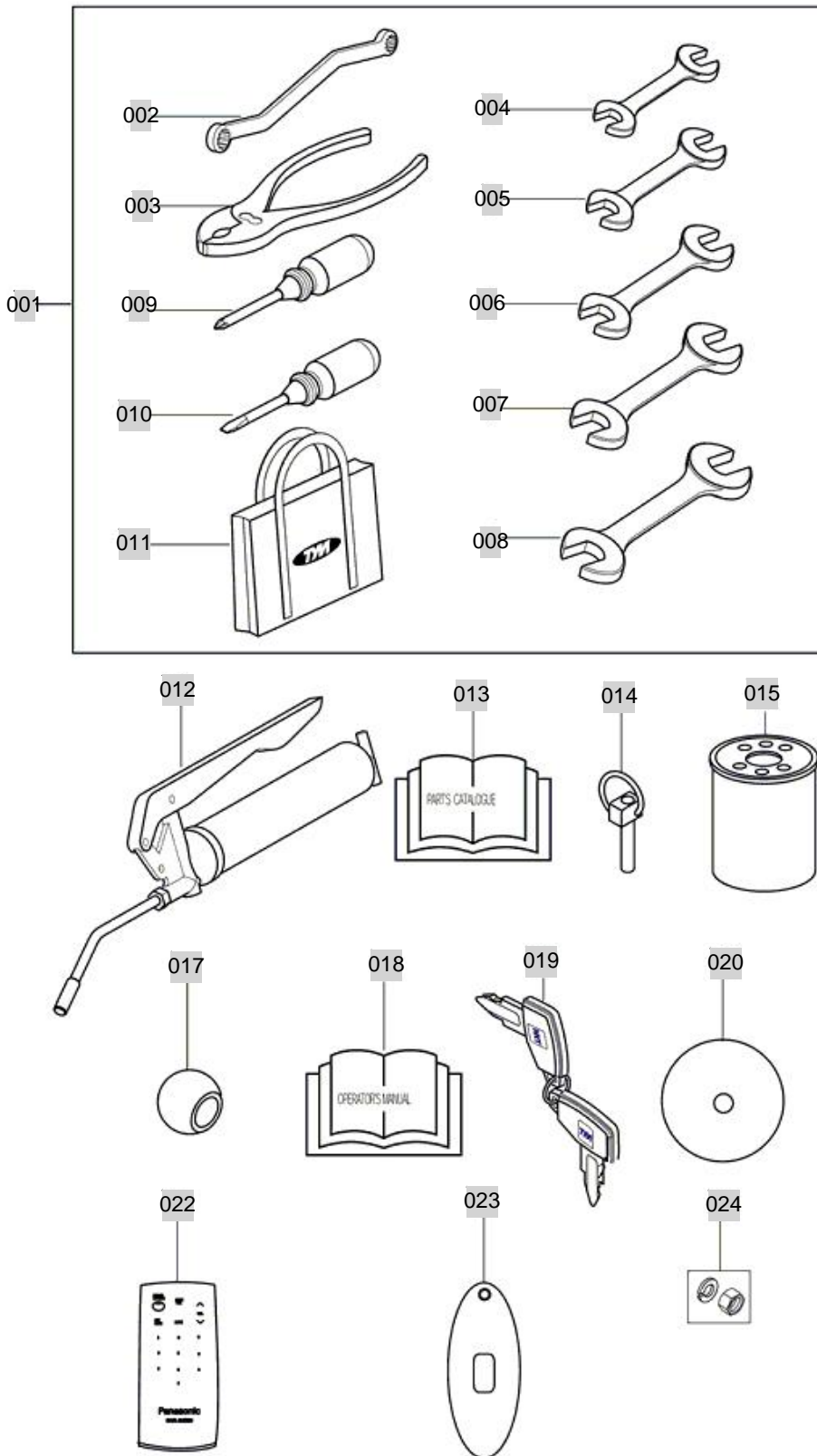
FIG 901

T754SC

TOOL & ACCESSORY

년/월
Year/Month

2020.07



T754-E-901

NOTE

FIG 902

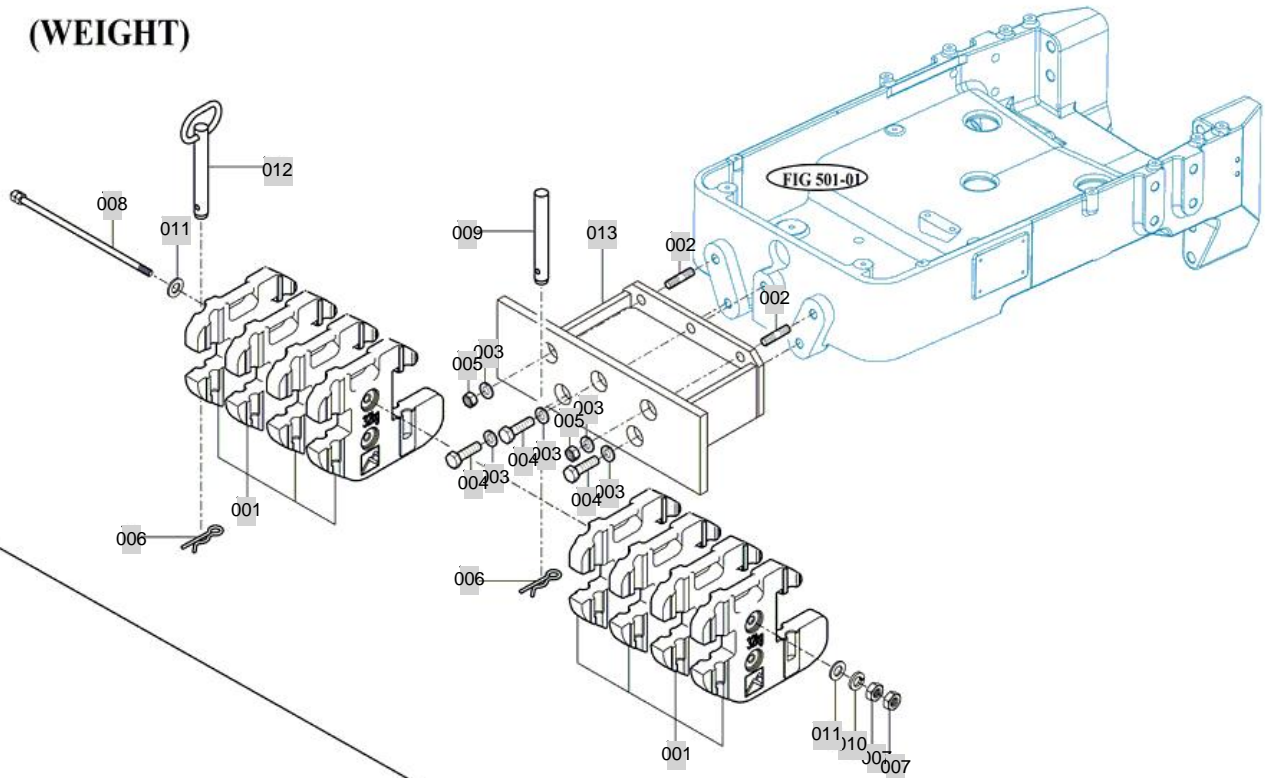
T754SC

WEIGHT

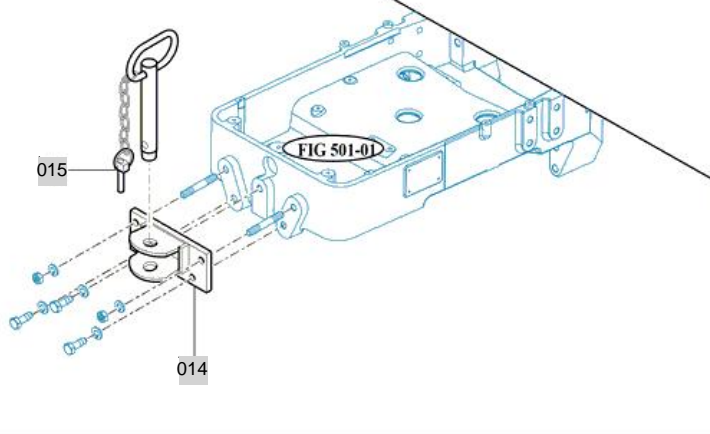
년/월
Year/Month

2020.07

(WEIGHT)



(TOWING HOOK)



NOTE

FIG 903

LABEL

년/월
Year/Month

T754SC

2020.07

Inner/Outer air Ventilation

- When grills of rear and both sides are opened, inner air will ventilate in.
- For effective use, open it when operate heater or air conditioner and close when ventilate fresh air.

1220-904-122-1

018

025

Power Shuttle

034

T754

051



006



033



032B



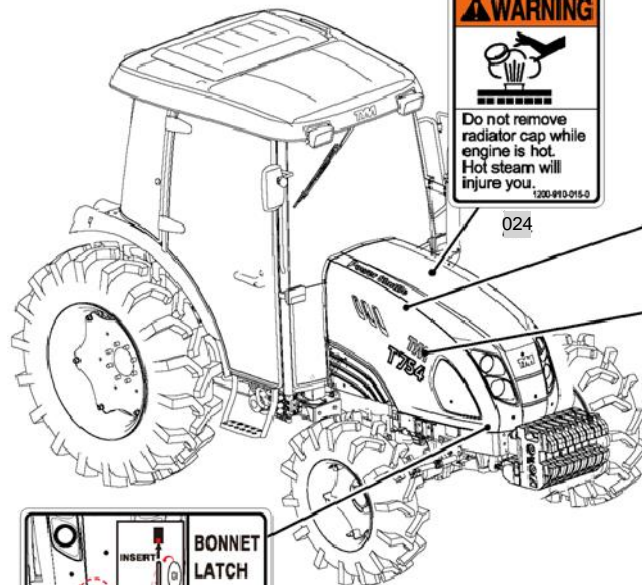
032A



017



093

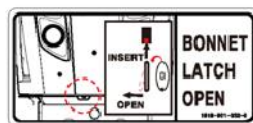


024



023

052



094

NOTE

FIG 903		LABEL					년/월 Year/Month		
							2020.07		
T754SC		KEY NO	PART NO	DESCRIPTION	SPEC	QTY	REPAIR	EFFECTIVE DATE	REMARKS
903	002	18029010030	LABEL , SPEED			1			US Only
903	002	18189010030	LABEL , SPEED			1			EU,EUA,EU AJ Only
903	003	12009100030	LABEL , WARNING EXHAUST	1X1X1		1		20060425	
903	004	12009100010	LABEL , WARNING SUB SHIFTER	1X1X1		1		20060425	
903	006	12009100160	LABEL , DANGER RIDING	1X1X1		1		20060425	
903	008	12009100190	LABEL , WARNING BELT	1X1X1		1		20060425	
903	009	12009100210	LABEL , WARNING THROTTLE	1X1X1		1		20060425	
903	010	17689200050	LABEL , DIFF			1		20030301	
903	011	12009100020	LABEL , WARNING PARKING	1X1X1		1		20060425	
903	012	12009100060	LABEL , WARNING DIFF	1X1X1		1		20060425	
903	013	12009100040	LABEL , WARNING STOP VALVE	1X1X1		1		20060425	
903	014	12009100111	LABEL , DANGER AIR CONDITIONER			1			
903	015	12009100070	LABEL , WARNING BRAKE	1X1X1		1		20120105	
903	016	12009100080	LABEL , WARNING TILTING	1X1X1		1		20120105	
903	017	12009100050	LABEL , WARNING FIRE	1X1X1		1		20060425	
903	018	12209041221	LABEL , VENTILATION	T=0.05		1		20060425	
903	019	12009100140	LABEL , WARNING DRAW	1X1X1		1		20120105	
903	020	12009100130	LABEL , DANGER PTO	1X1X1		1		20060425	
903	021	12149020110	LABEL , EMERGENCY EXIT	1X1X1		1			
903	023	12009100120	LABEL , CAUTION FAN	1X1X1		2		20060425	
903	024	12009100150	LABEL , WARNING RADIATOR	1X1X1		1		20060425	
903	025	19959041130	LABEL, HOOD	1X1X1		1		20060101	
903	026	12009100230	LABEL , CAUTION OPERATION	T=0.05		1		20060425	
903	032A	15829040220	LABEL , MODEL/EU			1			2017.12.11~ EU Only
903	032B	18059049201	LABEL , PRODUCT/CONTENTS			1			2016.03.14~ US Only
903	033	12009100240	LABEL , CAUTION MUFFLER	1X1X1		1		20060425	
903	034	15729010060	LABEL , POWER SHUTTLE			2			
903	040	19849040250	LABEL , CREEPER	1X1X1		1			
903	042	18179045040	LABEL, CABIN			1			2018.07.24~ 2018.07.24~ EU,EUA,EU
903	043	18029040260	LABEL , DRAWBAR NAME			1			
903	051	18029010040	MARK, ORNAMENT(T754)			2			
903	052	19129041130	LABEL , TYM(75)	1X1X1		2			
903	079	18015300041	LABEL , HYDRAULIC CAUTION			1			
903	079A	18095300040	LABEL , HYDRAULIC CAUTION			1			EUA Only
903	080	12609040620	LABEL , STARTING WARNING	T=0.05		1		20120105	
903	081	16329040020	LABEL , CAUTION GREASE	T=0.05		1		20111005	
903	082	18019040071	LABEL , PTO 1-2			1			EU,EUA Only
903	082A	18049040071	LABEL , PTO 1-2			1			EUAJ Only
903	083	17139100020	LABEL , FUSE			1			
903	084	18029100150	LABEL , RADIATOR			1			
903	085	18711201100	LABEL , ULTRA LOW SULFUR			1			
903	086	17689100170	LABEL , CAUTION SAFETY			1		20060301	
903	087	17699100090	LABEL , WARNING JOYSTICK	1X1X1		1		20060425	
903	088	17699100100	LABEL , WARNING JOYSTICK			1		20060425	
903	089	18719100310	LABEL , CAUTION LEVER			1			
NOTE									

FIG 903-2

LABEL

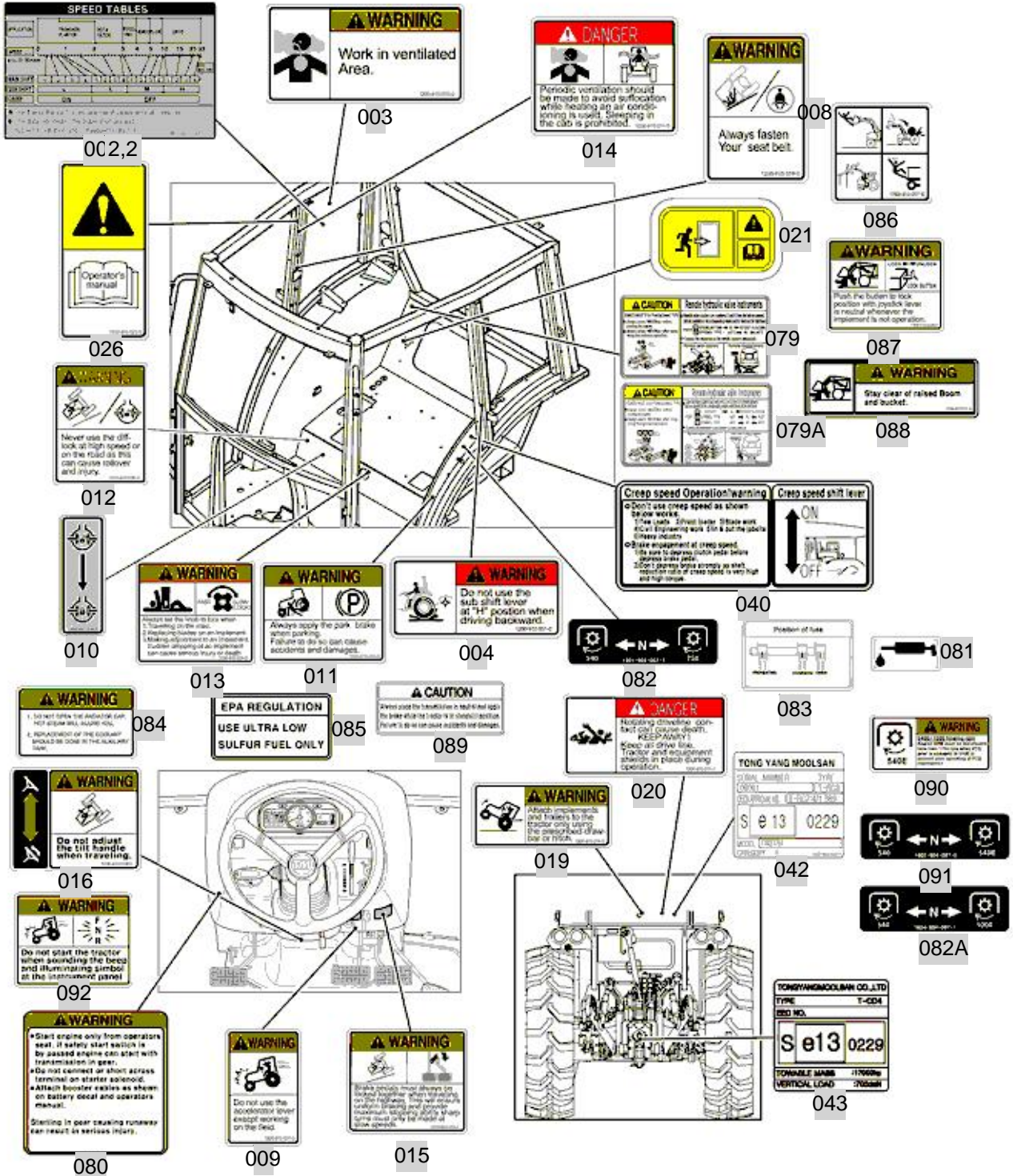
년/월
Year/Month

T754SC

2020.07

SPEED TABLES

OPERATOR	Machine	Gear	Forward	Reverse	Shift
1	1	1	1	1	1
2	2	2	2	2	2
3	3	3	3	3	3
4	4	4	4	4	4
5	5	5	5	5	5
6	6	6	6	6	6
7	7	7	7	7	7
8	8	8	8	8	8
9	9	9	9	9	9
10	10	10	10	10	10
11	11	11	11	11	11
12	12	12	12	12	12
13	13	13	13	13	13
14	14	14	14	14	14
15	15	15	15	15	15
16	16	16	16	16	16
17	17	17	17	17	17
18	18	18	18	18	18
19	19	19	19	19	19
20	20	20	20	20	20
21	21	21	21	21	21
22	22	22	22	22	22
23	23	23	23	23	23
24	24	24	24	24	24
25	25	25	25	25	25
26	26	26	26	26	26
27	27	27	27	27	27
28	28	28	28	28	28
29	29	29	29	29	29
30	30	30	30	30	30
31	31	31	31	31	31
32	32	32	32	32	32
33	33	33	33	33	33
34	34	34	34	34	34
35	35	35	35	35	35
36	36	36	36	36	36
37	37	37	37	37	37
38	38	38	38	38	38
39	39	39	39	39	39
40	40	40	40	40	40
41	41	41	41	41	41
42	42	42	42	42	42
43	43	43	43	43	43
44	44	44	44	44	44
45	45	45	45	45	45
46	46	46	46	46	46
47	47	47	47	47	47
48	48	48	48	48	48
49	49	49	49	49	49
50	50	50	50	50	50
51	51	51	51	51	51
52	52	52	52	52	52
53	53	53	53	53	53
54	54	54	54	54	54
55	55	55	55	55	55
56	56	56	56	56	56
57	57	57	57	57	57
58	58	58	58	58	58
59	59	59	59	59	59
60	60	60	60	60	60
61	61	61	61	61	61
62	62	62	62	62	62
63	63	63	63	63	63
64	64	64	64	64	64
65	65	65	65	65	65
66	66	66	66	66	66
67	67	67	67	67	67
68	68	68	68	68	68
69	69	69	69	69	69
70	70	70	70	70	70
71	71	71	71	71	71
72	72	72	72	72	72
73	73	73	73	73	73
74	74	74	74	74	74
75	75	75	75	75	75
76	76	76	76	76	76
77	77	77	77	77	77
78	78	78	78	78	78
79	79	79	79	79	79
80	80	80	80	80	80
81	81	81	81	81	81
82	82	82	82	82	82
83	83	83	83	83	83
84	84	84	84	84	84
85	85	85	85	85	85
86	86	86	86	86	86
87	87	87	87	87	87
88	88	88	88	88	88
89	89	89	89	89	89
90	90	90	90	90	90
91	91	91	91	91	91
92	92	92	92	92	92
93	93	93	93	93	93
94	94	94	94	94	94
95	95	95	95	95	95
96	96	96	96	96	96
97	97	97	97	97	97
98	98	98	98	98	98
99	99	99	99	99	99
100	100	100	100	100	100



NOTE

FIG 903-2		LABEL					년/월 Year/Month		
							2020.07		
T754SC		KEY NO	PART NO	DESCRIPTION	SPEC	QTY	REPAIR	EFFECTIVE DATE	REMARKS
903-2	002	18029010030	LABEL , SPEED			1			US Only
903-2	002	18189010030	LABEL , SPEED			1			EU,EUA,EU AJ Only
903-2	003	12009100030	LABEL , WARNING EXHAUST	1X1X1		1		20060425	
903-2	004	12009100010	LABEL , WARNING SUB SHIFTER	1X1X1		1		20060425	
903-2	006	12009100160	LABEL , DANGER RIDING	1X1X1		1		20060425	
903-2	008	12009100190	LABEL , WARNING BELT	1X1X1		1		20060425	
903-2	009	12009100210	LABEL , WARNING THROTTLE	1X1X1		1		20060425	
903-2	010	17689200050	LABEL , DIFF			1		20030301	
903-2	011	12009100020	LABEL , WARNING PARKING	1X1X1		1		20060425	
903-2	012	12009100060	LABEL , WARNING DIFF	1X1X1		1		20060425	
903-2	013	12009100040	LABEL , WARNING STOP VALVE	1X1X1		1		20060425	
903-2	014	12009100111	LABEL , DANGER AIR CONDITIONER			1			
903-2	015	12009100070	LABEL , WARNING BRAKE	1X1X1		1		20120105	
903-2	016	12009100080	LABEL , WARNING TILTING	1X1X1		1		20120105	
903-2	017	12009100050	LABEL , WARNING FIRE	1X1X1		1		20060425	
903-2	018	12209041221	LABEL , VENTILATION	T=0.05		1		20060425	
903-2	019	12009100140	LABEL , WARNING DRAW	1X1X1		1		20120105	
903-2	020	12009100130	LABEL , DANGER PTO	1X1X1		1		20060425	
903-2	021	12149020110	LABEL , EMERGENCY EXIT	1X1X1		1			
903-2	023	12009100120	LABEL , CAUTION FAN	1X1X1		2		20060425	
903-2	024	12009100150	LABEL , WARNING RADIATOR	1X1X1		1		20060425	
903-2	025	19959041130	LABEL, HOOD	1X1X1		1		20060101	
903-2	026	12009100230	LABEL , CAUTION OPERATION	T=0.05		1		20060425	
903-2	032A	15829040220	LABEL , MODEL/EU			1			EU Only
903-2	032B	18059049201	LABEL , PRODUCT/CONTENTS			1			US Only
903-2	033	12009100240	LABEL , CAUTION MUFFLER	1X1X1		1		20060425	
903-2	034	15729010060	LABEL , POWER SHUTTLE			2			
903-2	040	19849040250	LABEL , CREEPER	1X1X1		1			
903-2	042	18029045041	LABEL, CABIN			1			
903-2	043	18019040260	LABEL , DRAWBAR NAME	1X1X1		1			EU Only
903-2	051	18029010040	MARK, ORNAMENT(T754)			2			
903-2	052	19129041130	LABEL , TYM(75)	1X1X1		2			
903-2	079	18015300041	LABEL , HYDRAULIC CAUTION			1			
903-2	079A	18095300040	LABEL , HYDRAULIC CAUTION			1			EUA Only
903-2	080	12609040620	LABEL , STARTING WARNING	T=0.05		1		20120105	
903-2	081	16329040020	LABEL , CAUTION GREASE	T=0.05		1		20111005	
903-2	082	18019040071	LABEL , PTO 1-2			1			EU,EUA Only
903-2	082A	18049040071	LABEL , PTO 1-2			1			EUAJ Only
903-2	083	17139100020	LABEL , FUSE			1			
903-2	084	18029100150	LABEL , RADIATOR			1			
903-2	085	18711201100	LABEL , ULTRA LOW SULFUR			1			
903-2	086	17689100170	LABEL , CAUTION SAFETY			1		20060301	
903-2	087	17699100090	LABEL , WARNING JOYSTICK	1X1X1		1		20060425	
903-2	088	17699100100	LABEL , WARNING JOYSTICK			1		20060425	
903-2	089	18719100310	LABEL , CAUTION LEVER			1			
NOTE									

