

T603SP

Parts Catalog

# 목 차

---

---

## 1. ENGINE GP65855U PART NO. GP65855U

FIG 101 CYLINDER BLOCK ASSEMBLY	9
FIG 101-1 CYLINDER BLOCK ASSEMBLY	11
FIG 102 Crankshaft, Pistons & Connecting Rods	13
FIG 102-1 Crankshaft, Pistons & Connecting Rods	15
FIG 103 Rear End Oil Seal	17
FIG 104 Cylinder Head	19
FIG 104-1 CYLINDER HEAD	21
FIG 104-2 Cylinder Head	23
FIG 105 Rocker Shaft Assembly	25
FIG 106 Oil Pump	27
FIG 107 Pipes	29
FIG 108 Relief Valve	31
FIG 109 Timing Case	33
FIG 109-1 Timing Case	35
FIG 109-2 Timing Case	37
FIG 109-3 Timing Case	39
FIG 109-4 Timing Case	41
FIG 109-5 Timing Case	43
FIG 109-6 Timing Case	45
FIG 110 Miscellaneous	47
FIG 111 Camshaft & Gears	49
FIG 112 Fuel Injection Pump	51
FIG 113 High Pressure Fuel Pipes	53
FIG 114 Atomisers	55
FIG 115 Fuel Leak-Off Pipe	57
FIG 116 Flywheel Housing	59
FIG 117 Flywheel & Starter Ring	61
FIG 118 STARTER MOTOR	63
FIG 119 Pulleys	65
FIG 120 Dipstick & Tube	67
FIG 121 Lubricating Oil Sump	69

FIG 122 Sump	71
FIG 123 Filler	73
FIG 123-1 Filler	75
FIG 124 Oil Filter	77
FIG 124-1 Oil Filter	79
FIG 125 Front End Drive Input	81
FIG 126 Front End Drive Output	83
FIG 127 Thermostat & Housing	85
FIG 128 Water Pump	87
FIG 129 Oil Cooler	89
FIG 130 Water Outlet & Inlet	91
FIG 131 Fan Drive	93
FIG 132 Alternator	95
FIG 133 Drive Belt & Tensioner	97
FIG 134 Front End Drive Output	99
FIG 135 Turbocharger	101
FIG 135-1 Turbocharger	103
FIG 136 Inlet Manifold	105
FIG 137 Air Duct	107
FIG 138 Exhaust Manifold	109
FIG 138-1 Exhaust Manifold	111
FIG 139 Lift Pump	113
FIG 140 Fuel Filter	115
FIG 141 Low Pressure Fuel Pipes	117
FIG 142 Cold Start System	119
FIG 143 Engine Lifting Eyes	121
FIG 144 Throttle & Stop Controls	123
FIG 145 Instrumentation	125
FIG 146 Instrumentation	127
FIG 147 Instrumentation	129
FIG 148 Electrical Wiring & Fittings	131
FIG 149 Application Miscellaneous & Auxiliaries	133

## 2. ENGINE ACCESSORIES & CONTROL PART NO.

### T603SP-E-C2

FIG 201 AIR CLEANER	136
FIG 202 RADIATOR	138
FIG 203 MUFFLER	140

FIG 204B FUEL HOSE & FILTER	142
FIG 205 FUEL TANK	144
FIG 206 ACCELERATOR	146
FIG 207 OIL COOLER	148

### 3. CLUTCH, BRAKE, STEERING PART NO. T603SP-E-C3

FIG 301B CLUTCH	151
FIG 302B CLUTCH PEDAL	153
FIG 303 BRAKE	155
FIG 304 BRAKE PEDAL & LINKAGE	157
FIG 305A FRONT WHEEL	159
FIG 305B FRONT WHEEL-R3	161
FIG 305C FRONT WHEEL-R4	163
FIG 306A REAR WHEEL	165
FIG 306B REAR WHEEL-R3	167
FIG 306C REAR WHEEL-R4	169
FIG 307 POWER STEERING WHEEL	171
FIG 308 POWER STEERING VALVE	173
FIG 309 POWER STEERING CYLINDER	175

### 4. TRANSMISSION & REAR AXLE PART NO. T603SP-E-C4

FIG 401 TRANSMISSION FRONT CASE	178
FIG 402B INPUT & COUNTER GEARS	180
FIG 403 MAIN CHANGE GEARS	182
FIG 404B REVERSE GEARS	184
FIG 405 P.T.O DRIVE SHAFT	186
FIG 406 MAIN CHANGE LEVER	188
FIG 407B REVERSE CHANGE SWITCH	190
FIG 408 TRANSMISSION MID CASE	192
FIG 409 TRANSMISSION REAR CASE	194
FIG 410 SUB CHANGE GEARS	196
FIG 411 SUB CHANGE SHIFTER	198
FIG 412 CREEP CHANGE	200
FIG 413B DRIVE GEARS	202
FIG 414B 4WD METAL ASSY	204
FIG 415 P.T.O CHANGE GEARS	206

FIG 416 P.T.O CHANGE SHIFTER	208
FIG 417 P.T.O CHANGE SHIFTER	210
FIG 418 REAR AXLE HOUSING	213

## 5. FRONT AXLE,SUPPORTER & DRIVE SHAFT PART NO. T603SP-E-C5

FIG 501 FRONT AXLE SUPPORT	216
FIG 502 FRONT DRIVE SHAFT	218
FIG 503 FRONT AXLE HOUSING	220
FIG 504 FRONT DIFFERENTIAL GEARS	222
FIG 505 FRONT GEAR CASE (1)	224
FIG 506 FRONT GEAR CASE (2)	226
FIG 507 FRONT GEAR CASE (3)	228

## 6. HYDRAULICS & 3-POINT LINK PART NO. T603SP-E-C6

FIG 601 FRONT GEAR CASE (1)	231
FIG 602 LIFT ARM	233
FIG 603 CYLINDER	235
FIG 604 POSITION LINK	237
FIG 605 CONTROL VALVE	239
FIG 606 DRAFT LINK	241
FIG 607 POSITION & DRAFT LEVER	243
FIG 608 EXTERIOR HYD. VALVE	245
FIG 609B HYDRAULIC PIPES	247
FIG 610B JOYSTICK SET	249
FIG 611B HYDRAULIC HOSES	251
FIG 612A HITCH & 3-POINT LINK	253
FIG 613A LOWER LINK & LIFT ROD	256

## 7. SHEET METAL & CABIN PART NO. T603SP-E-C7

FIG 701 BONNET (1)	259
FIG 702 BONNET (2)	262
FIG 704 LEVER COVER & STEP	264
FIG 705 FRONT & REAR MOUNTING	266
FIG 706 FLOOR & SEAT	268
FIG 707 CAB FRAME & REAR GLASS	270

FIG 708 SIDE GLASS	272
FIG 709 DOOR	274
FIG 710 FRONT GLASS	276
FIG 711 SUB FENDER & COVER	278
FIG 712 CONTROL COVER	280
FIG 713 ROOF	282
FIG 714 INTERIOR PART	284
FIG 715 HEATER & AIR-CON	286

## 8. ELECTRICALS & HARNESS PART NO. T603SP-E-C8

FIG 801 BATTERY & MOUNTING	290
FIG 802 LIGHT & BACK LAMP	292
FIG 803B INSTRUMENT PANEL	294
FIG 804 ELECTRIC SYSTEM (1)	296
FIG 805 ELECTRIC SYSTEM (2)	298
FIG 806B HARNESS (1)	300
FIG 807 HARNESS (2)	302

## 9. WEIGHT,LABEL,TOOLS PART NO. T603SP-E-C9

FIG 901 TOOL & ACCESSORY	305
FIG 902 WEIGHT	307
FIG 903-1 LABEL	309
FIG 903-2 LABEL	312
FIG 903-3 LABEL	315

# 1. ENGINE GP65855U PART NO. GP65855U

FIG 101 CYLINDER BLOCK ASSEMBLY	9
FIG 101-1 CYLINDER BLOCK ASSEMBLY	11
FIG 102 Crankshaft, Pistons & Connecting Rods	13
FIG 102-1 Crankshaft, Pistons & Connecting Rods	15
FIG 103 Rear End Oil Seal	17
FIG 104 Cylinder Head	19
FIG 104-1 CYLINDER HEAD	21
FIG 104-2 Cylinder Head	23
FIG 105 Rocker Shaft Assembly	25
FIG 106 Oil Pump	27
FIG 107 Pipes	29
FIG 108 Relief Valve	31
FIG 109 Timing Case	33
FIG 109-1 Timing Case	35
FIG 109-2 Timing Case	37
FIG 109-3 Timing Case	39
FIG 109-4 Timing Case	41
FIG 109-5 Timing Case	43
FIG 109-6 Timing Case	45
FIG 110 Miscellaneous	47
FIG 111 Camshaft & Gears	49
FIG 112 Fuel Injection Pump	51
FIG 113 High Pressure Fuel Pipes	53
FIG 114 Atomisers	55
FIG 115 Fuel Leak-Off Pipe	57
FIG 116 Flywheel Housing	59
FIG 117 Flywheel & Starter Ring	61
FIG 118 STARTER MOTOR	63
FIG 119 Pulleys	65
FIG 120 Dipstick & Tube	67
FIG 121 Lubricating Oil Sump	69
FIG 122 Sump	71
FIG 123 Filler	73
FIG 123-1 Filler	75
FIG 124 Oil Filter	77
FIG 124-1 Oil Filter	79
FIG 125 Front End Drive Input	81
FIG 126 Front End Drive Output	83

FIG 127 Thermostat & Housing	85
FIG 128 Water Pump	87
FIG 129 Oil Cooler	89
FIG 130 Water Outlet & Inlet	91
FIG 131 Fan Drive	93
FIG 132 Alternator	95
FIG 133 Drive Belt & Tensioner	97
FIG 134 Front End Drive Output	99
FIG 135 Turbocharger	101
FIG 135-1 Turbocharger	103
FIG 136 Inlet Manifold	105
FIG 137 Air Duct	107
FIG 138 Exhaust Manifold	109
FIG 138-1 Exhaust Manifold	111
FIG 139 Lift Pump	113
FIG 140 Fuel Filter	115
FIG 141 Low Pressure Fuel Pipes	117
FIG 142 Cold Start System	119
FIG 143 Engine Lifting Eyes	121
FIG 144 Throttle & Stop Controls	123
FIG 145 Instrumentation	125
FIG 146 Instrumentation	127
FIG 147 Instrumentation	129
FIG 148 Electrical Wiring & Fittings	131
FIG 149 Application Miscellaneous & Auxiliaries	133



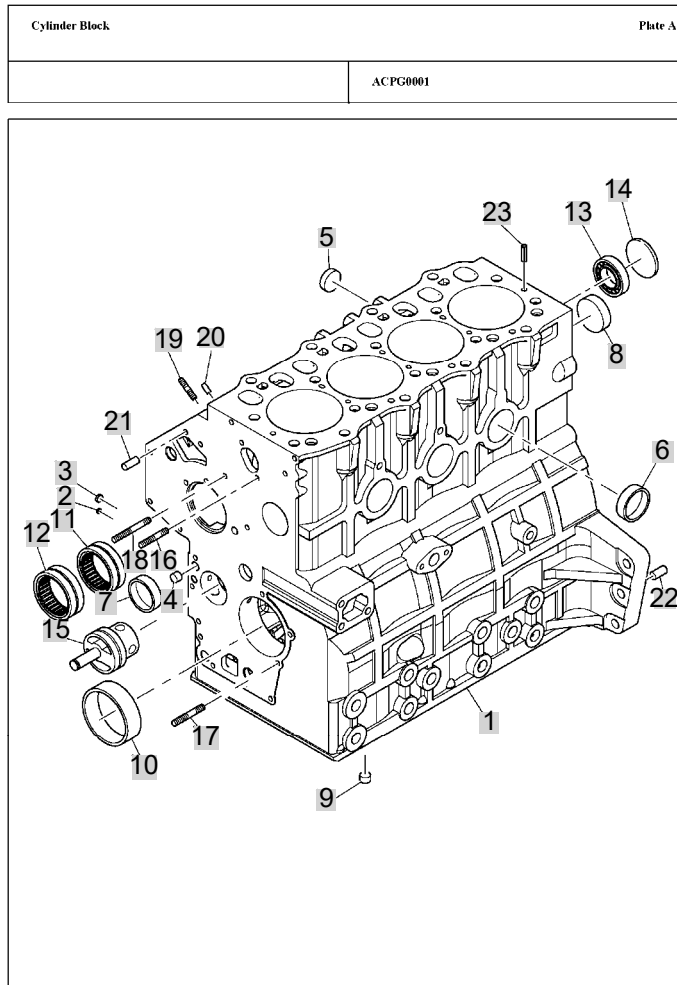
FIG 101

T603SP

CYLINDER BLOCK ASSEMBLY

년/월  
Year/Month

2020.11



Page 16

NOTE



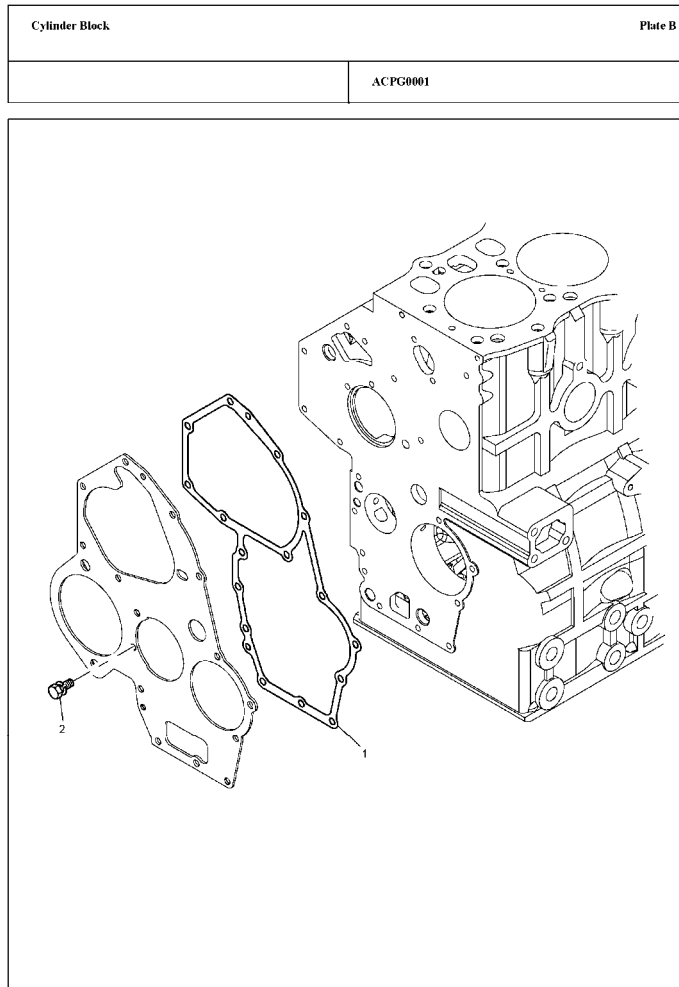
FIG 101-1

T603SP

CYLINDER BLOCK ASSEMBLY

년/월  
Year/Month

2020.11



Page 18

NOTE

<p><b>FIG 101-1</b></p> <p>T603SP</p>	<p><b>CYLINDER BLOCK ASSEMBLY</b></p>						<p>년/월</p> <p>Year/Month</p>
							<p>2020.11</p>

KEY NO	PART NO	DESCRIPTION	SPEC	QTY	REPAIR	EFFECTIVE DATE	REMARKS
101-1	1	165996590		1			
101-1	2	011310612		2			
<b>NOTE</b>							

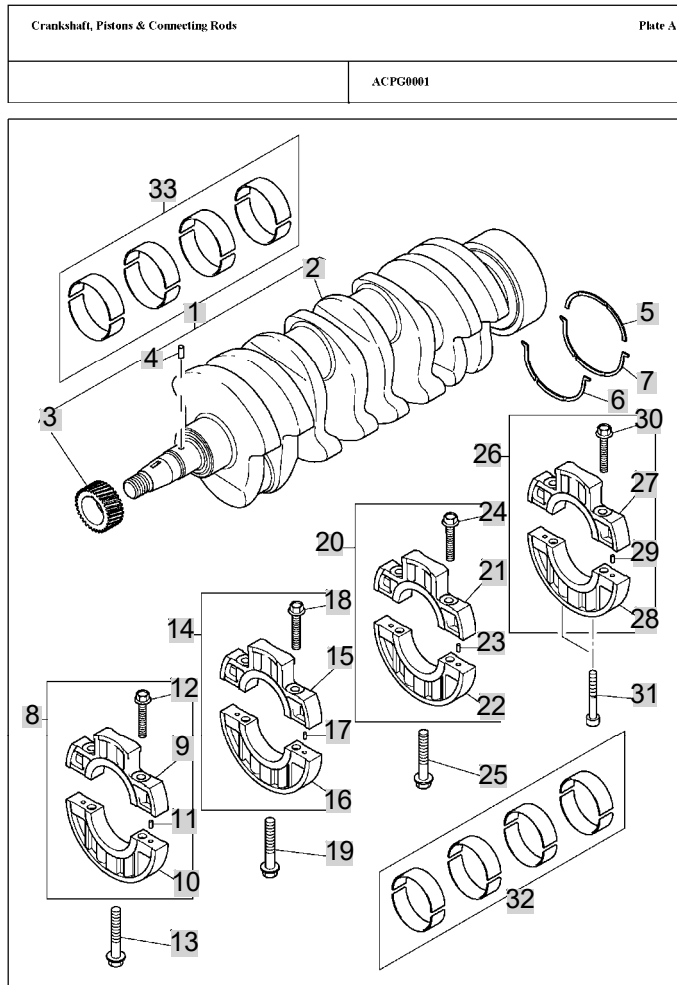
FIG 102

T603SP

Crankshaft, Pistons & Connecting Rods

년/월  
Year/Month

2020.11



Page 20

NOTE



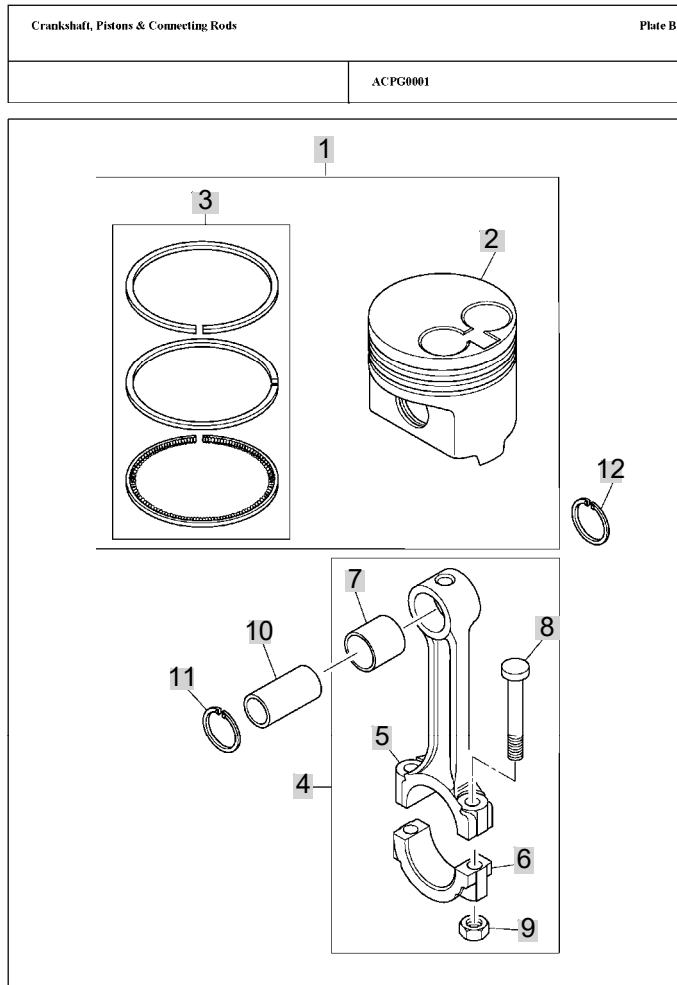
FIG 102-1

Crankshaft, Pistons & Connecting Rods

년/월  
Year/Month

2020.11

T603SP



Page 22

NOTE





FIG 103

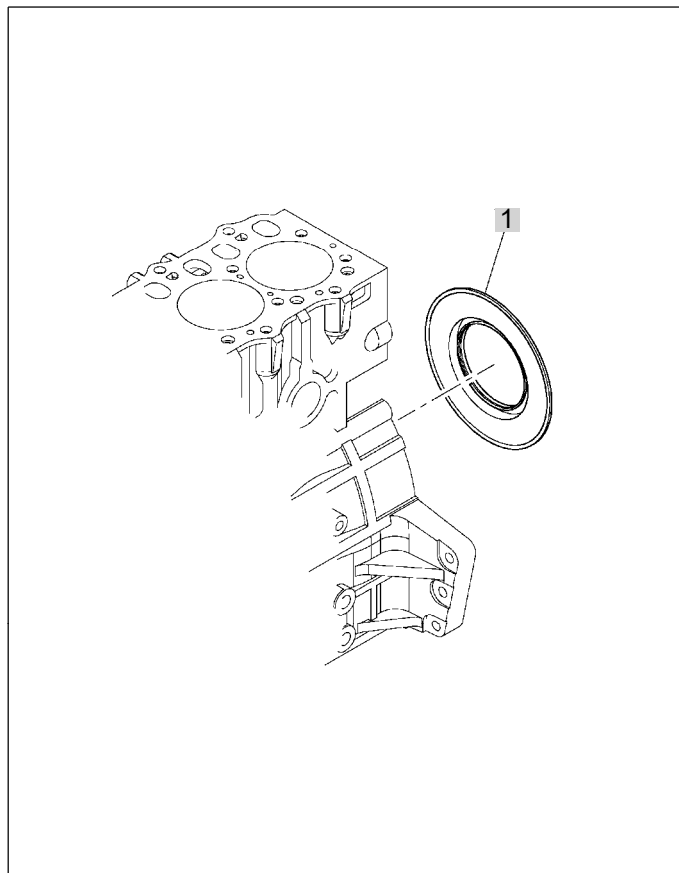
T603SP

# Rear End Oil Seal

년/월  
Year/Month

2020.11

Rear End Oil Seal	Plate A
ACPG0001	



Page 24

NOTE



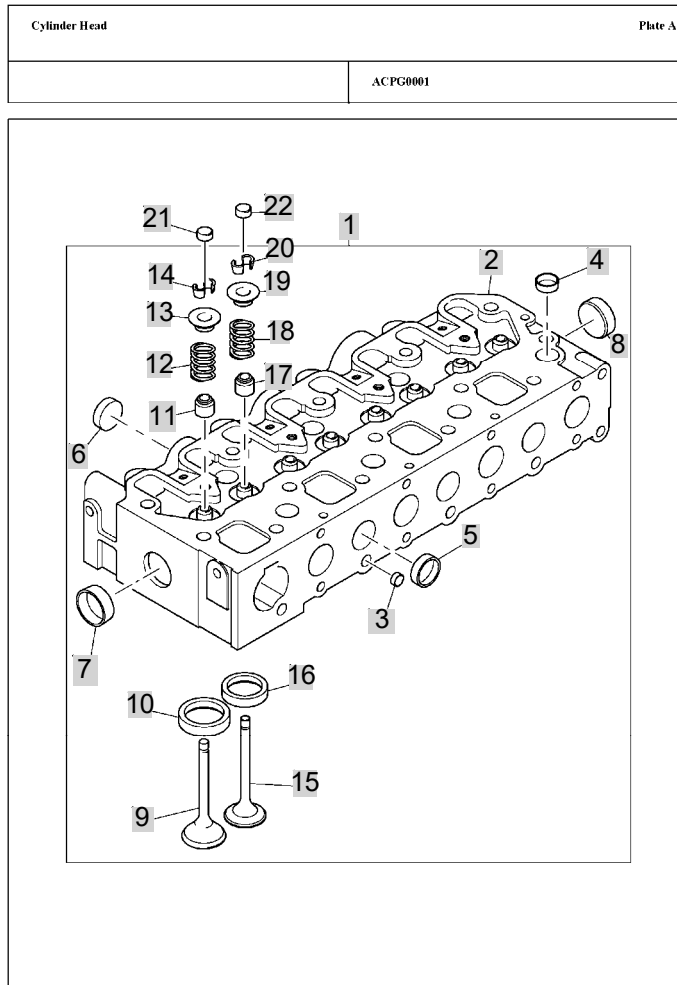
FIG 104

T603SP

# Cylinder Head

년/월  
Year/Month

2020.11



Page 26

NOTE



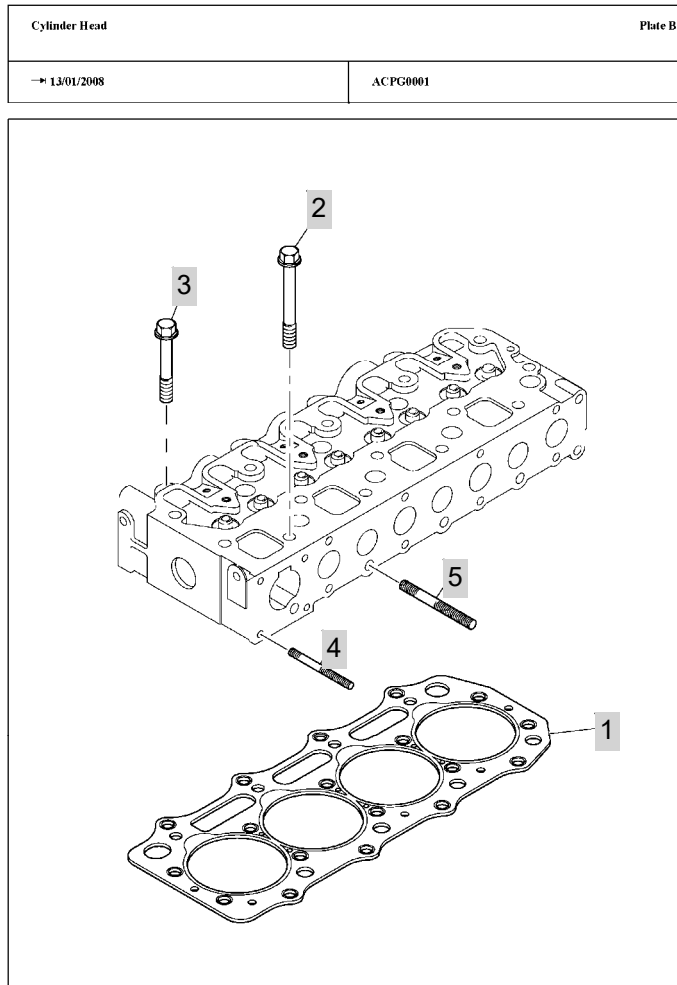
FIG 104-1

CYLINDER HEAD

년/월  
Year/Month

T603SP

2020.11



Page 28

NOTE



FIG 104-2

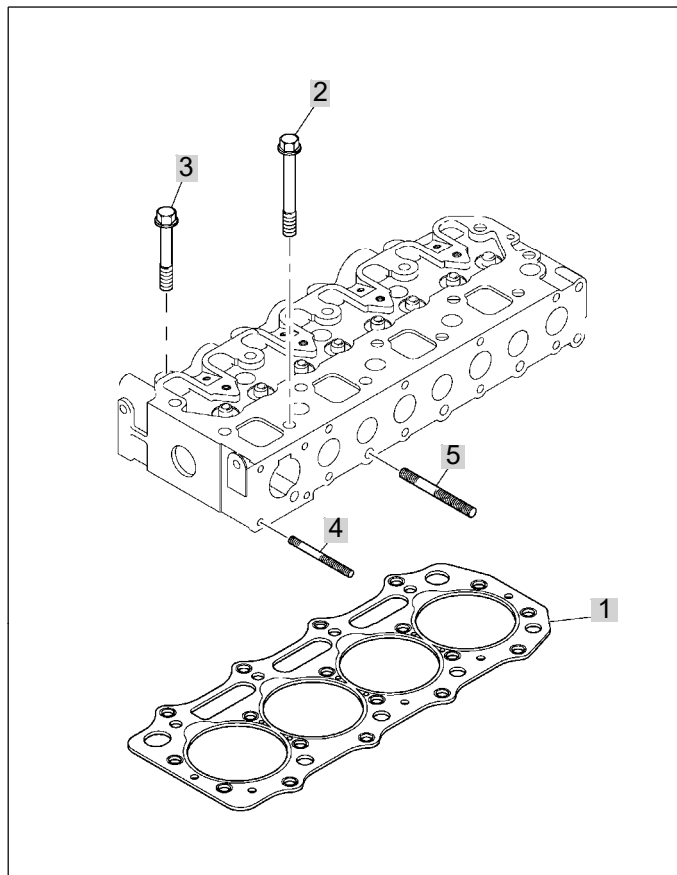
# Cylinder Head

년/월  
Year/Month

T603SP

2020.11

Cylinder Head	Plate B
→ 14/01/2008	ACPG0001



Page 30

NOTE





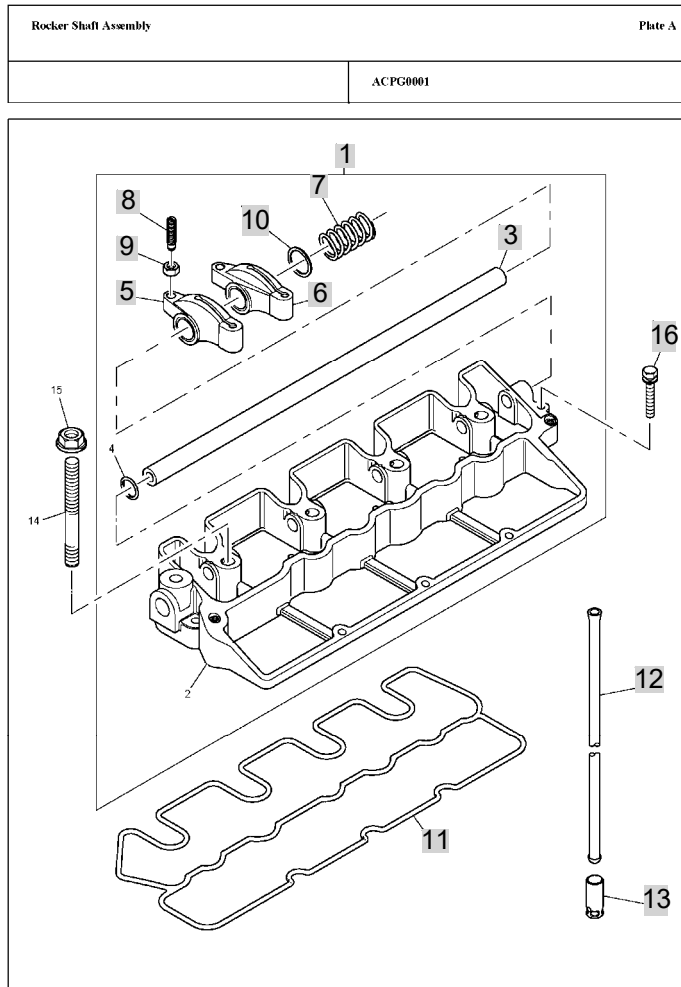
FIG 105

Rocker Shaft Assembly

년/월  
Year/Month

2020.11

T603SP



Page 32

NOTE



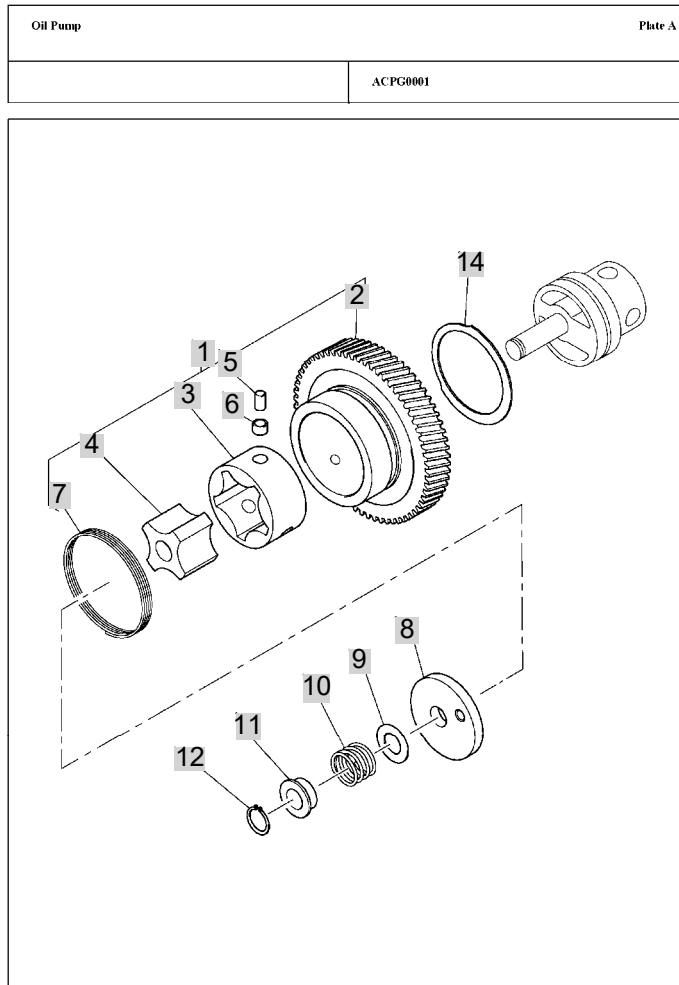
FIG 106

T603SP

Oil Pump

년/월  
Year/Month

2020.11



Page 34

NOTE



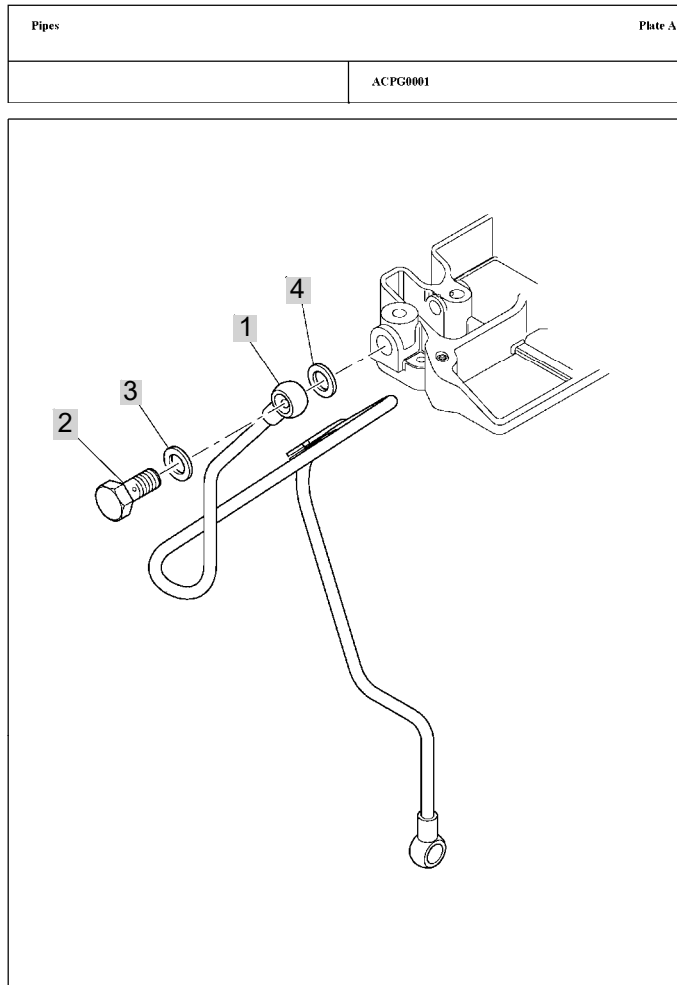
FIG 107

T603SP

Pipes

년/월  
Year/Month

2020.11



Page 36

NOTE



FIG 108

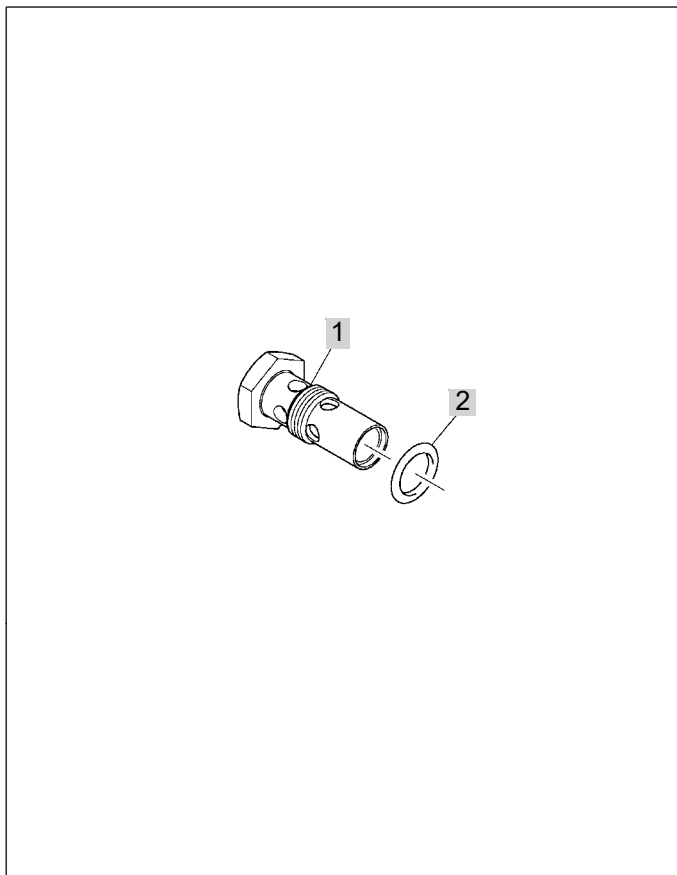
T603SP

Relief Valve

년/월  
Year/Month

2020.11

Relief Valve	Plate A
	ACPG0001



Page 38

NOTE





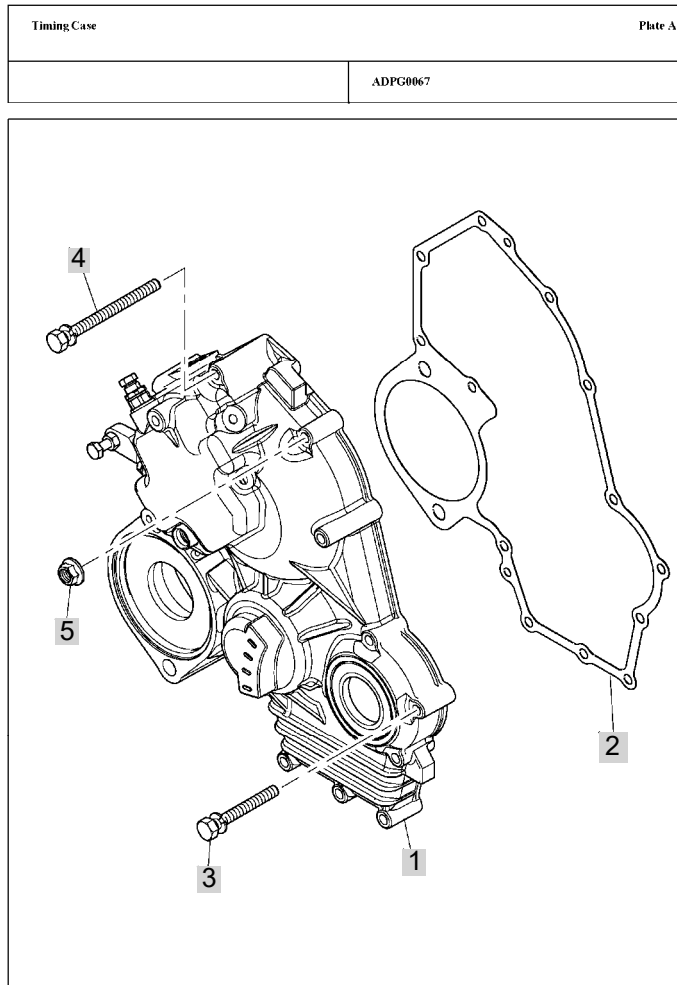
FIG 109

T603SP

Timing Case

년/월  
Year/Month

2020.11



Page 40

NOTE

FIG 109 T603SP		Timing Case						년/월 Year/Month	REMARKS
								2020.11	
KEY NO	PART NO	DESCRIPTION	SPEC	QTY	REPAIR	EFFECTIVE DATE	REMARKS		
109	1	--	Not serviced separately						
109	2	165996630	GASKET - TIMING CASE						
109	3	011310640	SCREW						
109	4	011310660	SCREW						
109	5	023100006	NUT						
NOTE									

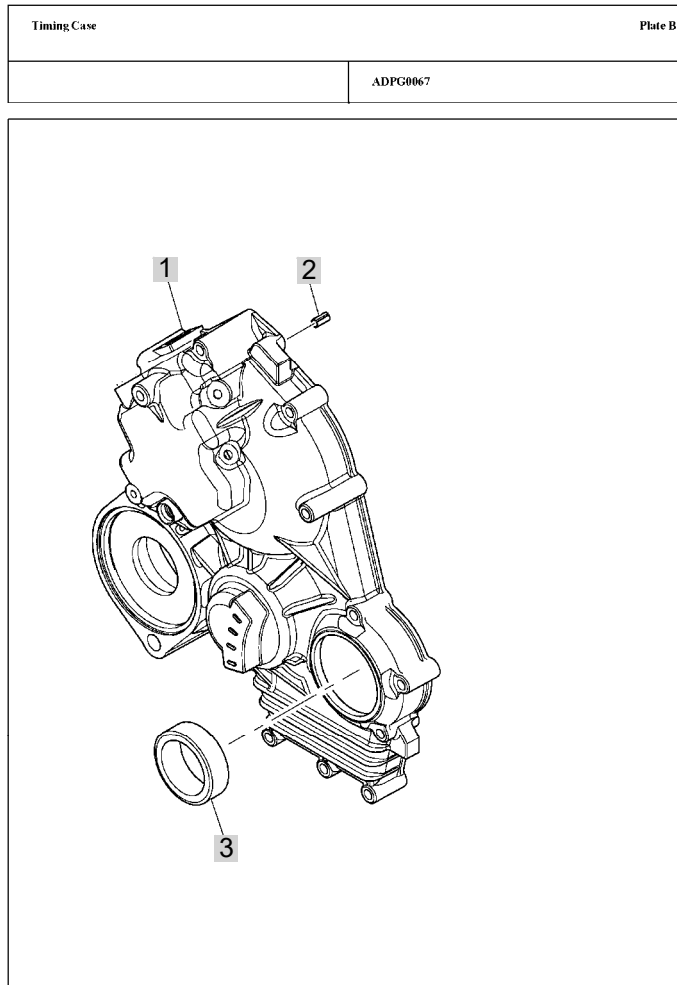
FIG 109-1

T603SP

# Timing Case

년/월  
Year/Month

2020.11



Page 42

NOTE



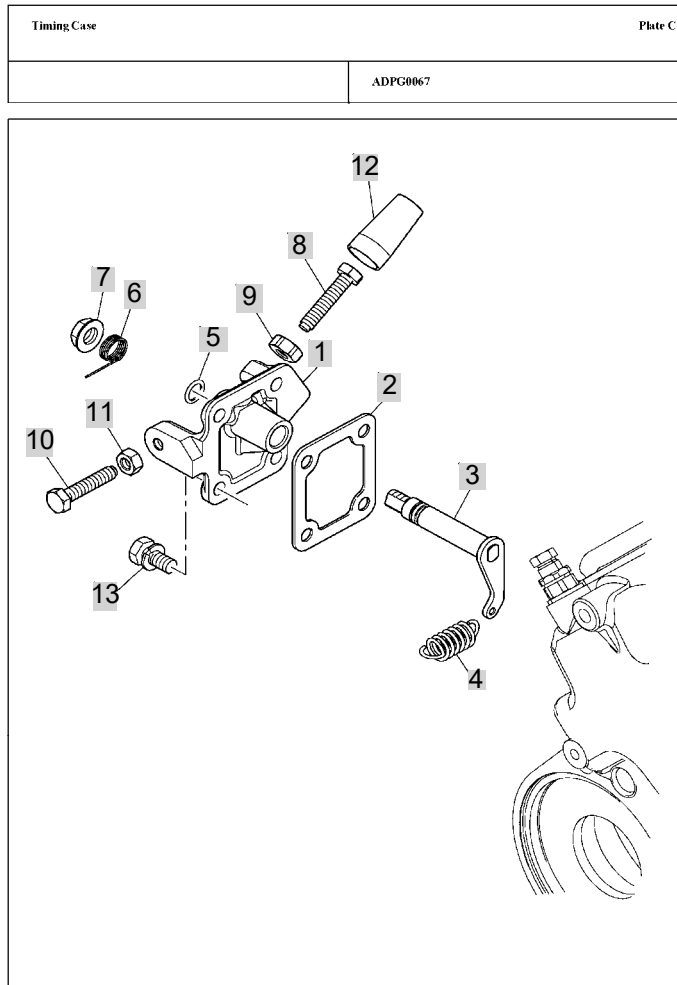
FIG 109-2

Timing Case

년/월  
Year/Month

2020.11

T603SP



Page 44

NOTE



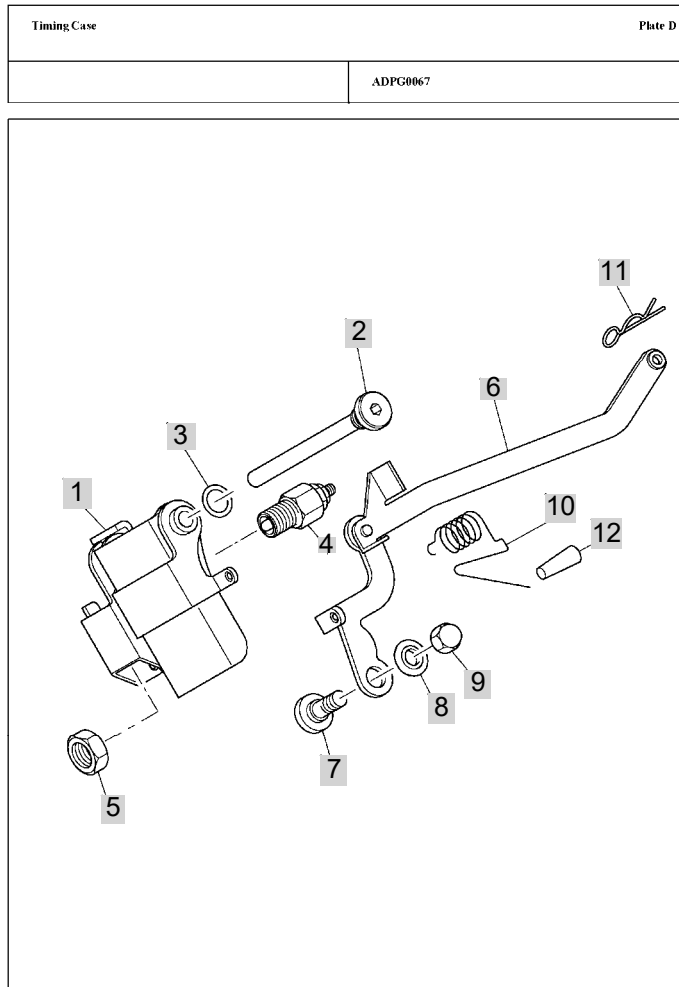
FIG 109-3

T603SP

Timing Case

년/월  
Year/Month

2020.11



Page 46

NOTE





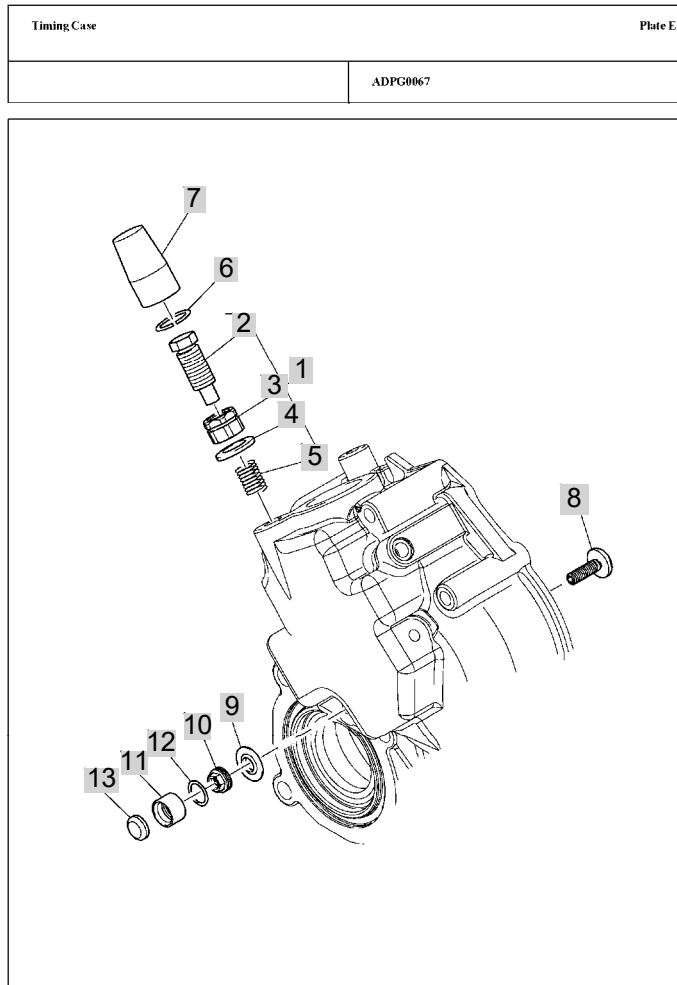
FIG 109-4

T603SP

# Timing Case

년/월  
Year/Month

2020.11



Page 48

NOTE

FIG 109-4		Timing Case					년/월	REMARKS
							Year/Month	
T603SP							2020.11	
KEY NO	PART NO	DESCRIPTION	SPEC	QTY	REPAIR	EFFECTIVE DATE	REMARKS	
109-4	1	131046640	SCREW	1				
109-4	2	--	Not sevised separately	1				
109-4	3	020109177	NUT	1				
109-4	4	025100010	WASHER	1				
109-4	5	198217900	SPRING	1				
109-4	6	198346160	RING	1				
109-4	7	131276440	ANTI-TAMPER CAP	1				
109-4	8	131466251	BOLT	1				
109-4	9	025100006	WASHER	1				
109-4	10	020109239	NUT	1				
109-4	11	131466272	ANTI-TAMPER CAP	1				
109-4	12	198346160	RING	1				
109-4	13	064210012	CAP	1				
NOTE								

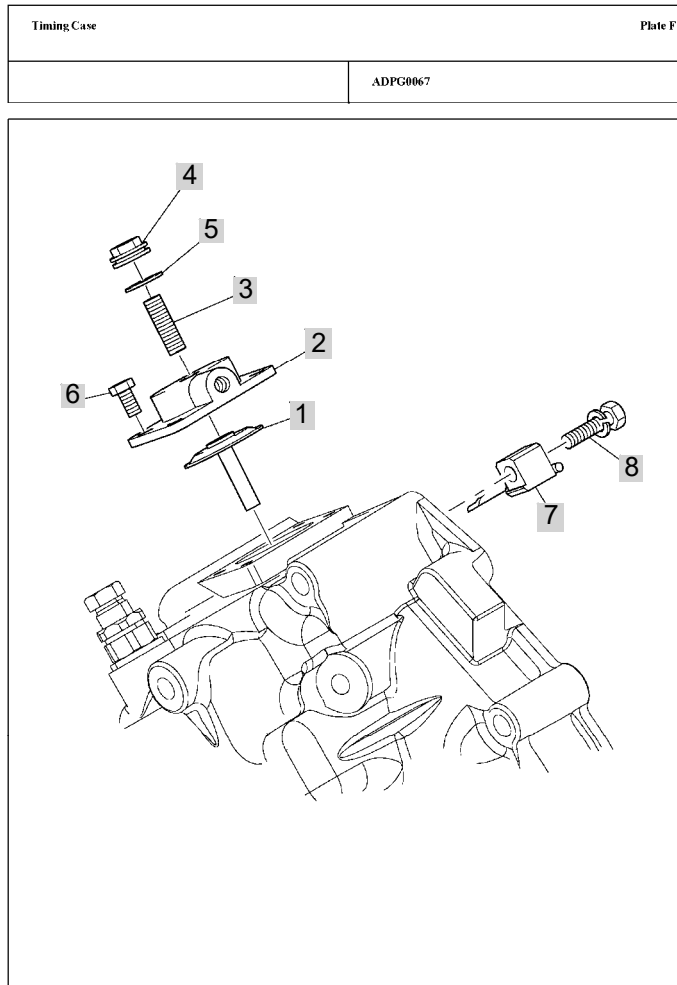
FIG 109-5

T603SP

# Timing Case

년/월  
Year/Month

2020.11



Page 50

NOTE



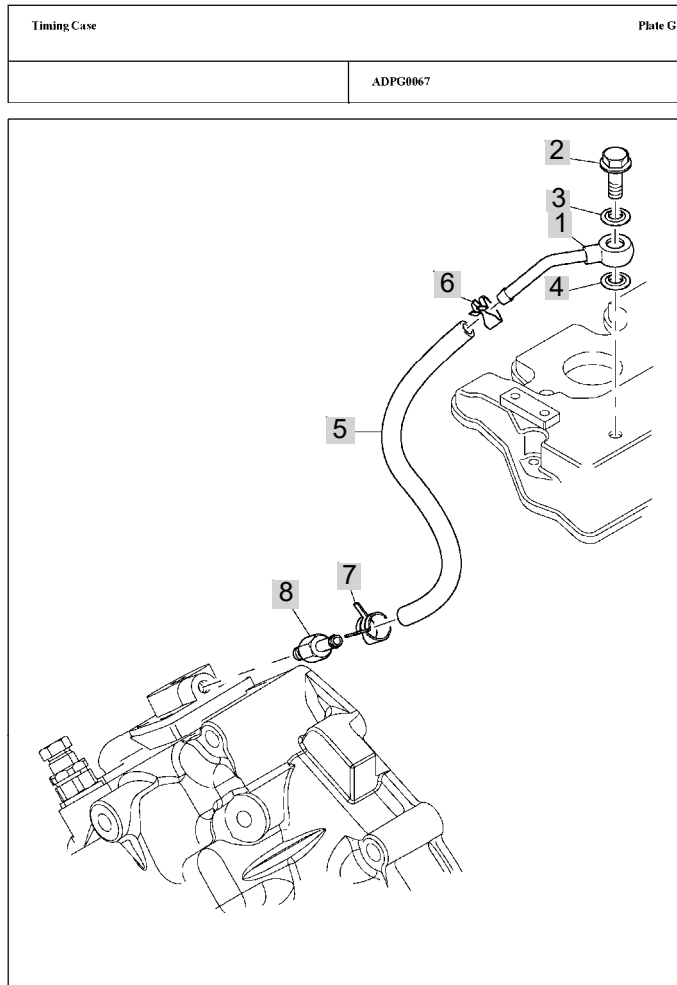
FIG 109-6

T603SP

Timing Case

년/월  
Year/Month

2020.11



Page 52

NOTE

FIG 109-6 T603SP		Timing Case					년/월 Year/Month	REMARKS
							2020.11	
KEY NO	PART NO	DESCRIPTION	SPEC	QTY	REPAIR	EFFECTIVE DATE		
109-6	1	198481050	PIPE			1		
109-6	2	198487460	BOLT			1		
109-6	3	025100006	WASHER			1		
109-6	4	025100006	WASHER			1		
109-6	5	068204315	HOSE			1		
109-6	6	067200078	CLIP			1		
109-6	7	067200078	CLIP			1		
109-6	8	131246280	CONNECTOR			1		
NOTE								

FIG 110

T603SP

Miscellaneous

년/월  
Year/Month

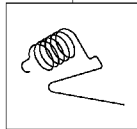
2020.11

Miscellaneous

Plate D

ADPG0067

1



Page 54

NOTE





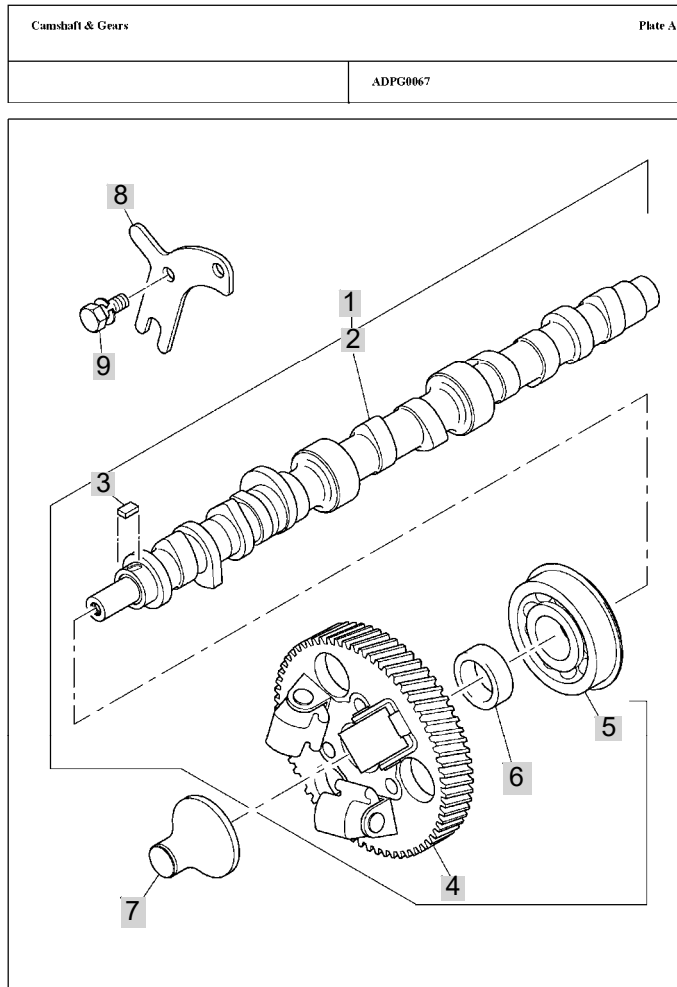
FIG 111

T603SP

Camshaft & Gears

년/월  
Year/Month

2020.11



Page 56

NOTE



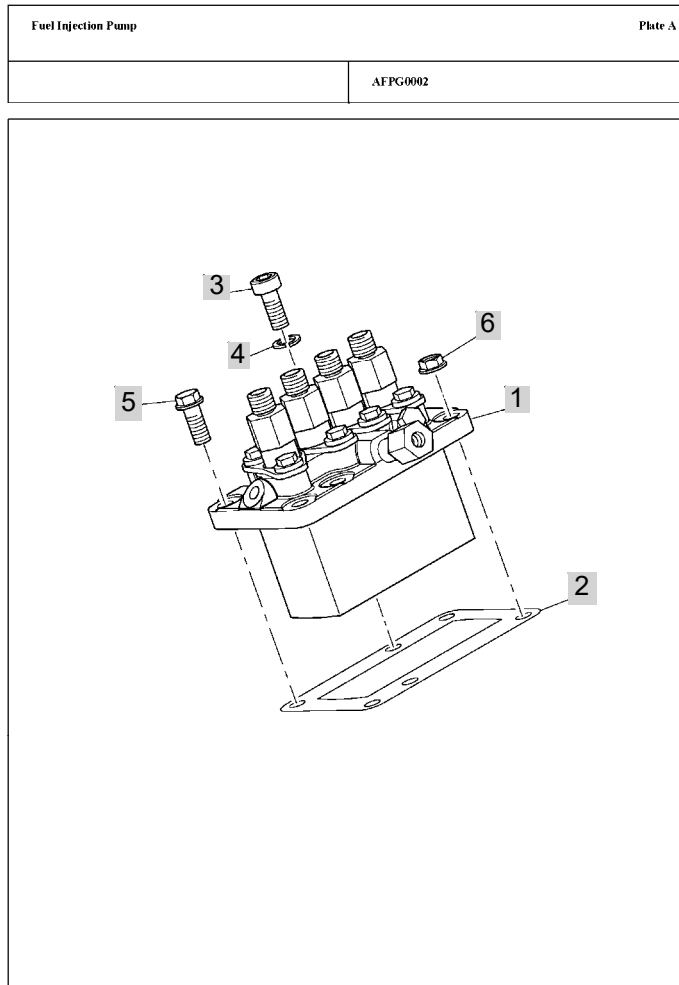
FIG 112

T603SP

# Fuel Injection Pump

년/월  
Year/Month

2020.11



Page 58

NOTE



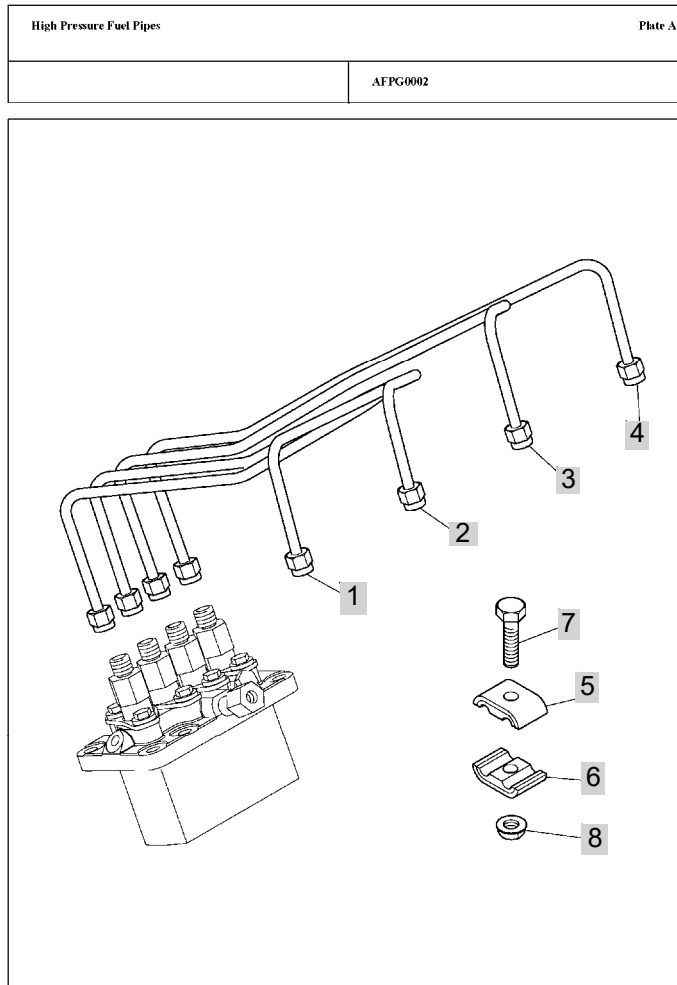
FIG 113

T603SP

# High Pressure Fuel Pipes

년/월  
Year/Month

2020.11



Page 60

NOTE

FIG 113		High Pressure Fuel Pipes					년/월 Year/Month	
T603SP							2020.11	
KEY NO	PART NO	DESCRIPTION	SPEC	QTY	REPAIR	EFFECTIVE DATE	REMARKS	
113	1	131507700	PIPE - FUEL INJ NO 1 CYL	1				
113	2	131507710	PIPE - FUEL INJ NO 2 CYL	1				
113	3	131507720	PIPE - FUEL INJ NO 3 CYL	1				
113	4	131507730	PIPE - FUEL INJ NO 4 CYL	1				
113	5	199106021	CLAMP	3				
113	6	199106021	CLAMP	3				
113	7	010110625	SCREW	3				
113	8	023100006	NUT	3				
NOTE								

FIG 114

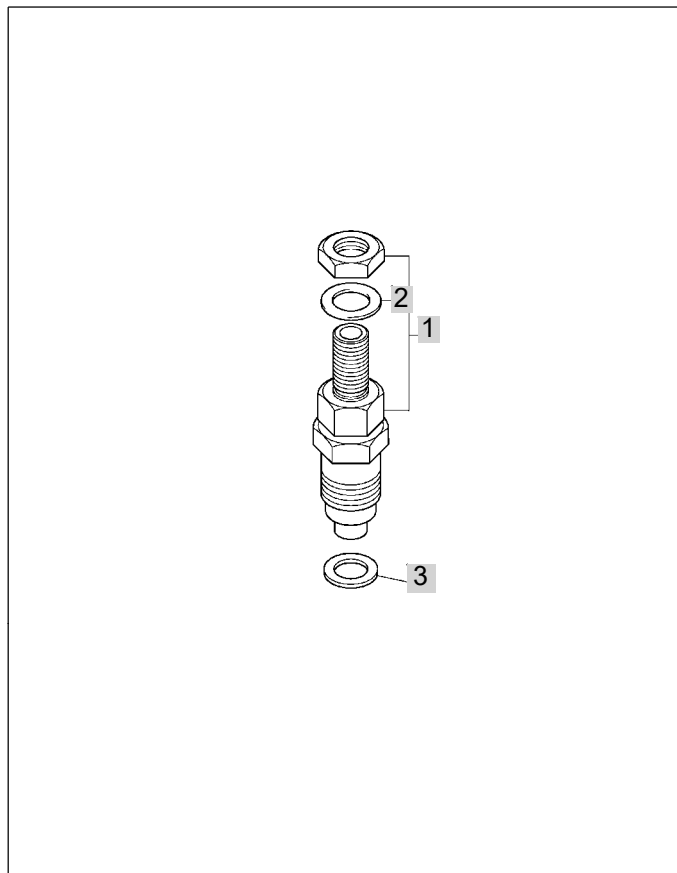
T603SP

Atomisers

년/월  
Year/Month

2020.11

Atomisers	Plate A
AFPG0002	



Page 62

NOTE

FIG 114 T603SP		Atomisers					년/월 Year/Month	
							2020.11	
KEY NO	PART NO	DESCRIPTION	SPEC	QTY	REPAIR	EFFECTIVE DATE	REMARKS	
114	1	131406540	INJECTOR	4				
114	2	131426230	SEAL - INJECTOR	1				
114	3	131426200	SEAL - INJECTOR	4				
NOTE								



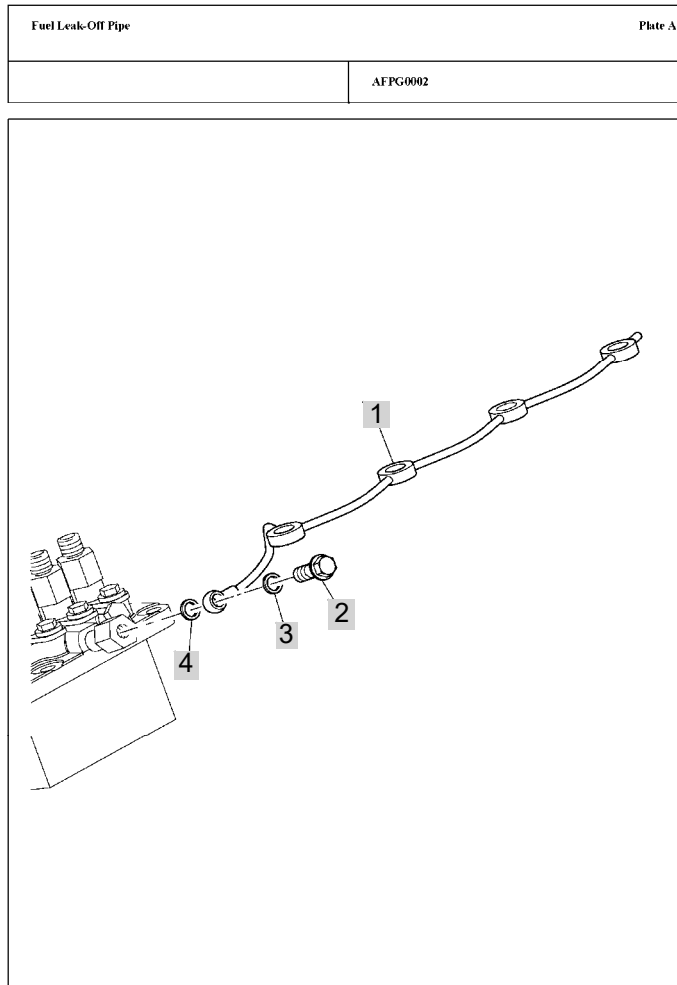
FIG 115

T603SP

### Fuel Leak-Off Pipe

년/월  
Year/Month

2020.11



Page 64

NOTE



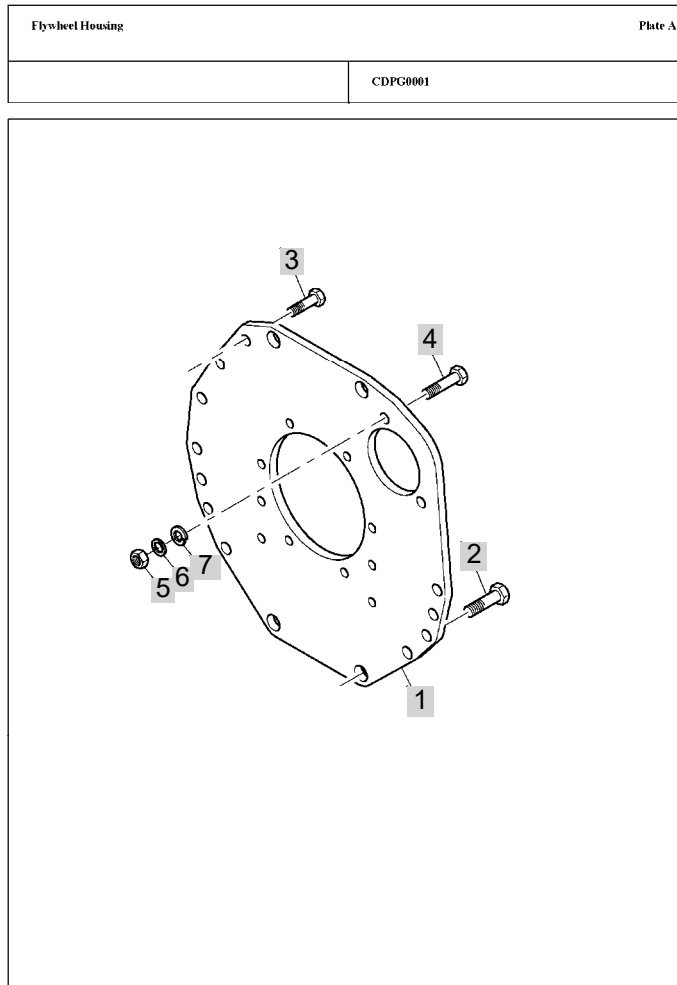
FIG 116

T603SP

# Flywheel Housing

년/월  
Year/Month

2020.11



Page 66

NOTE



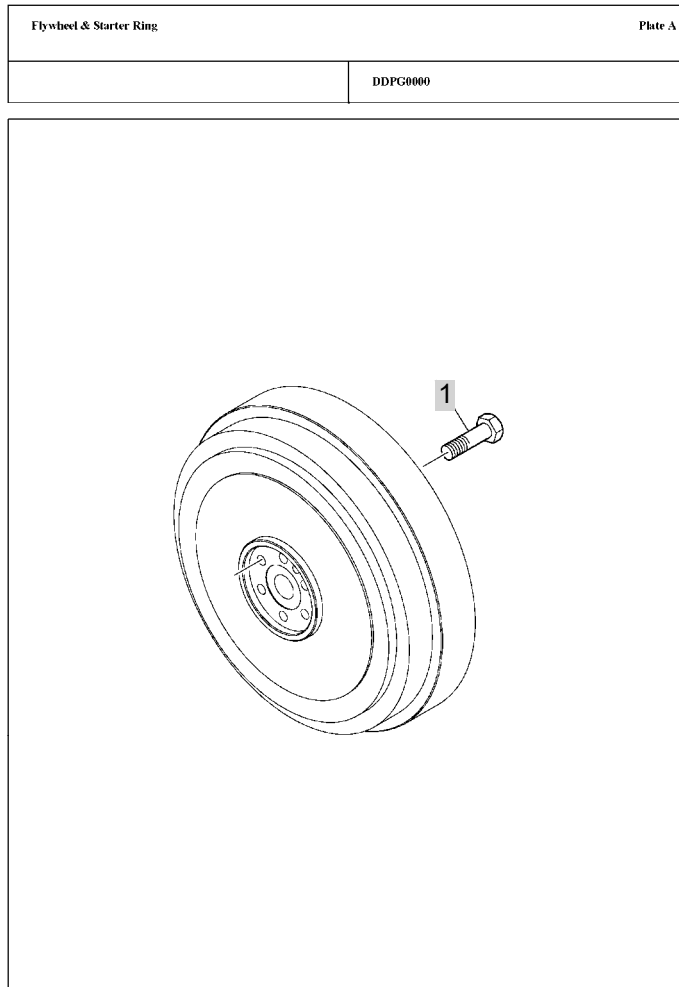
FIG 117

T603SP

Flywheel & Starter Ring

년/월  
Year/Month

2020.11



Page 68

NOTE



FIG 118

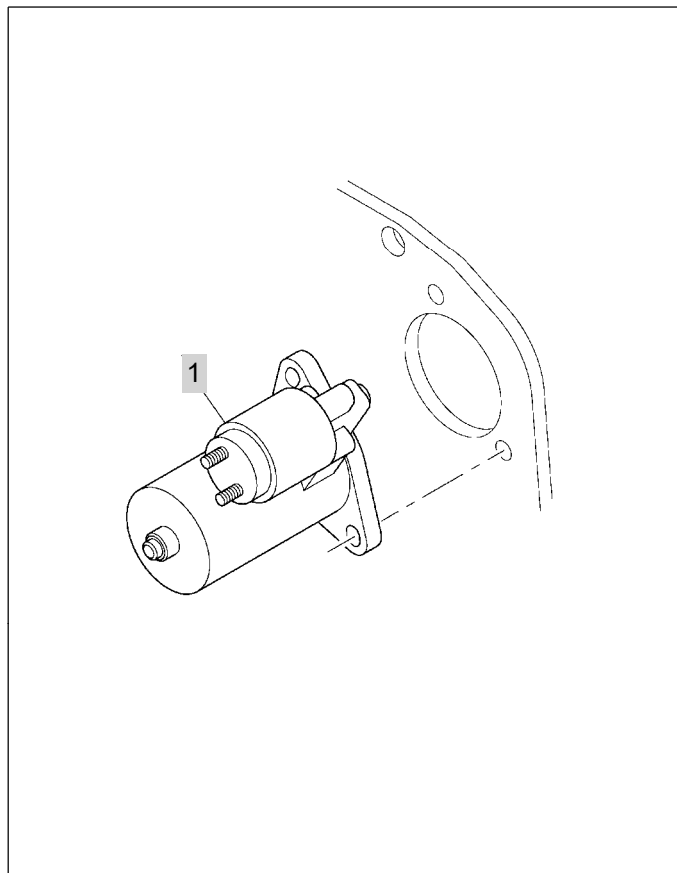
T603SP

# STARTER MOTOR

년/월  
Year/Month

2020.11

Starter Motor	Plate A
EDPG0001	



Page 70

NOTE





FIG 119

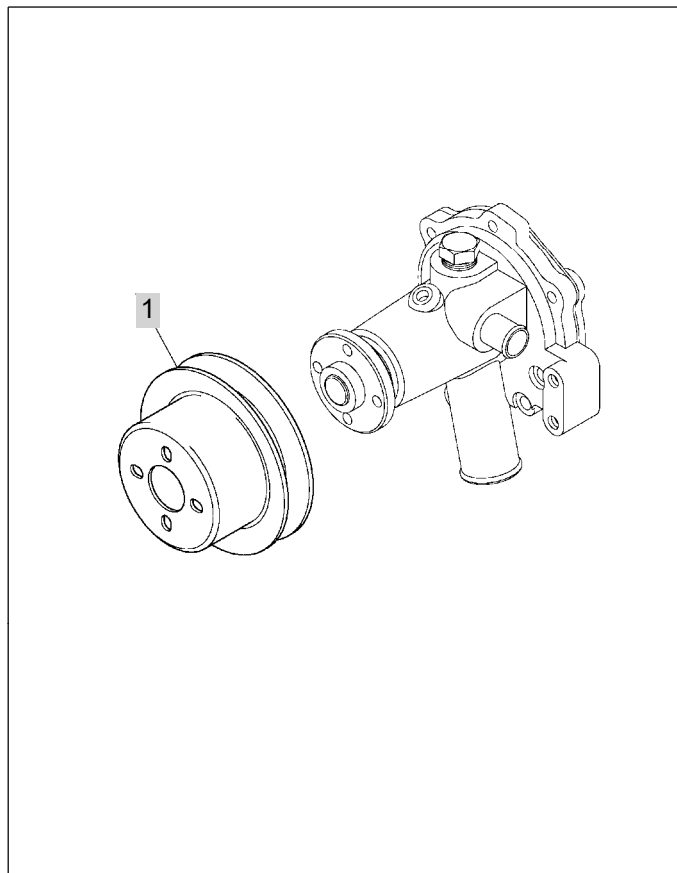
T603SP

# Pulleys

년/월  
Year/Month

2020.11

Pulleys	Plate A
FBPG0001	



Page 72

NOTE



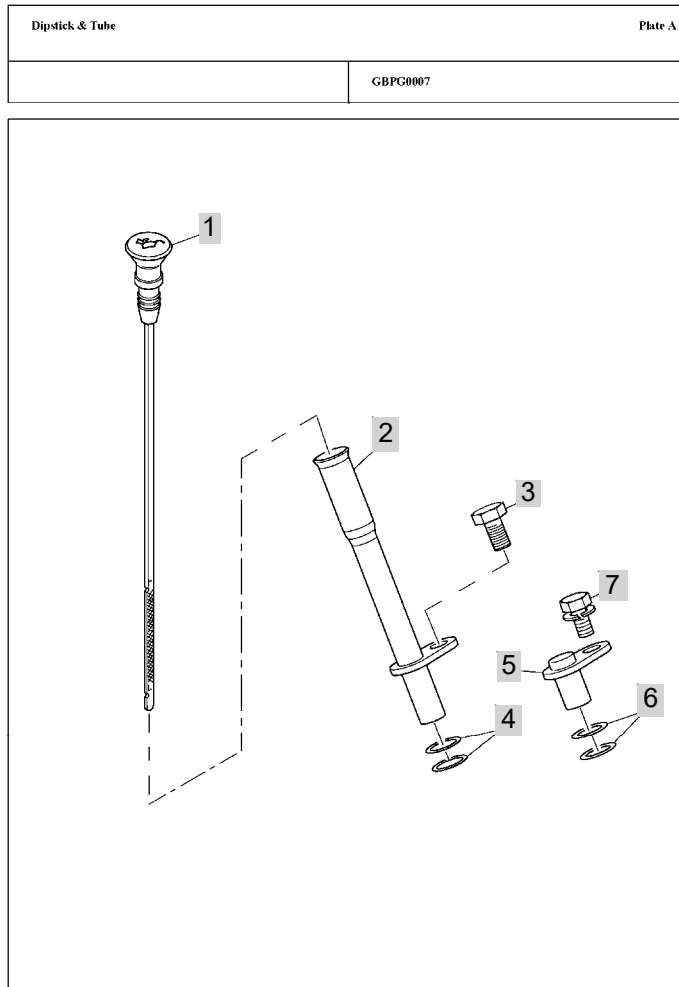
FIG 120

T603SP

Dipstick & Tube

년/월  
Year/Month

2020.11



Page 74

NOTE

FIG 120 T603SP	Dipstick & Tube						년/월 Year/Month
							2020.11

KEY NO	PART NO	DESCRIPTION	SPEC	QTY	REPAIR	EFFECTIVE DATE	REMARKS
120	1	198416690	DIPSTICK	1			
120	2	110756490	DIPSTICK TUBE	1			
120	3	010109235	SCREW	1			
120	4	052100100	SEAL - O RING	2			
120	5	198436290	PLUG	1			
120	6	052100100	SEAL - O RING	2			
120	7	011310612	SCREW	1			

NOTE	
------	--

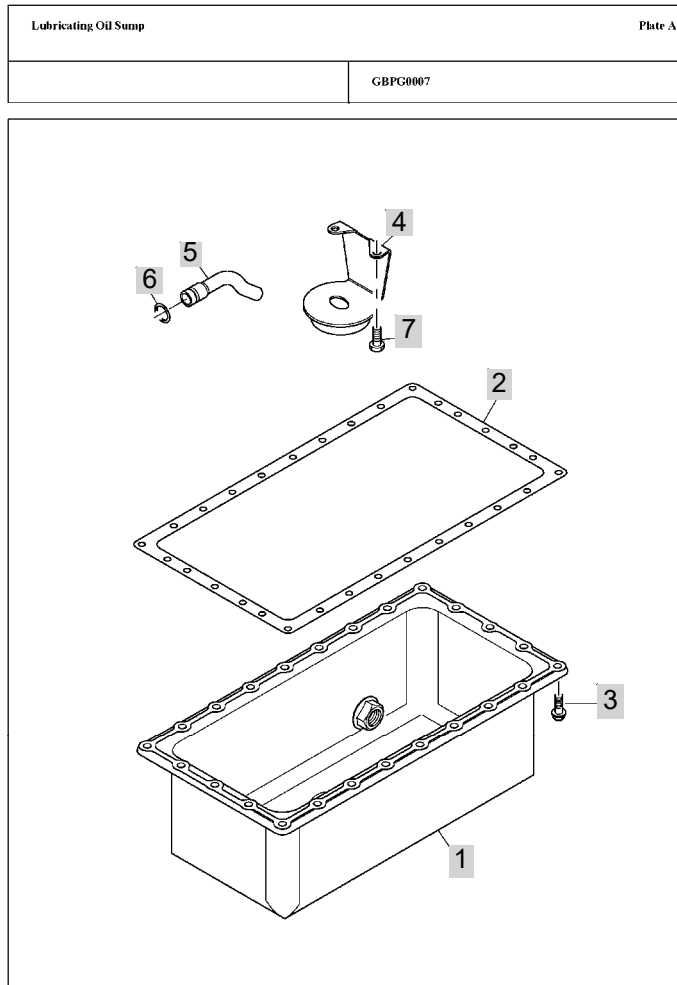
FIG 121

T603SP

# Lubricating Oil Sump

년/월  
Year/Month

2020.11



NOTE



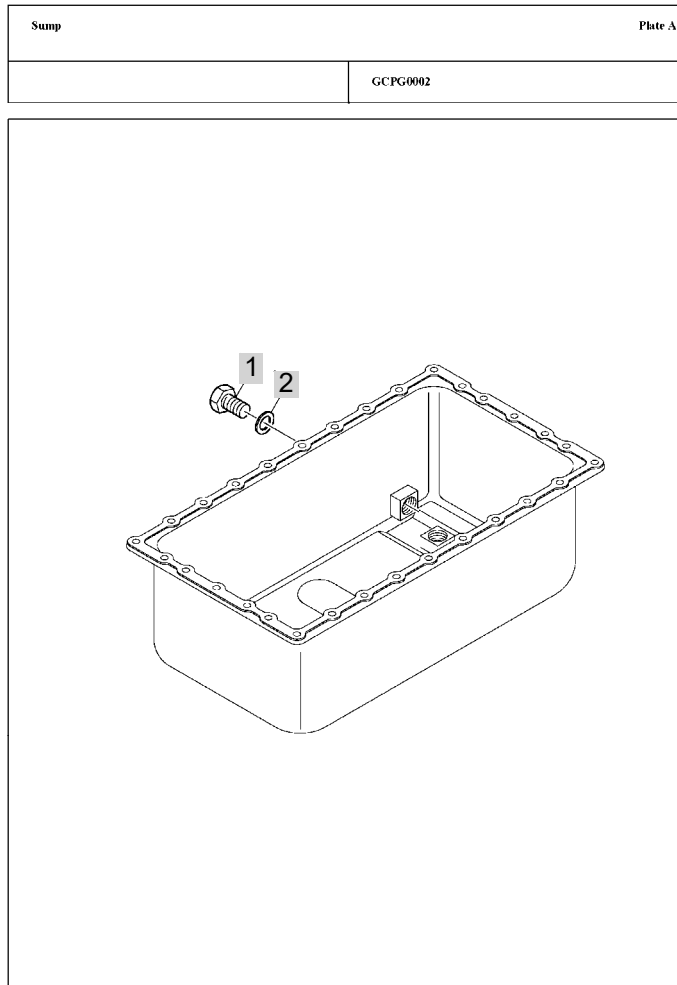
FIG 122

T603SP

# Sump

년/월  
Year/Month

2020.11



Page 78

NOTE





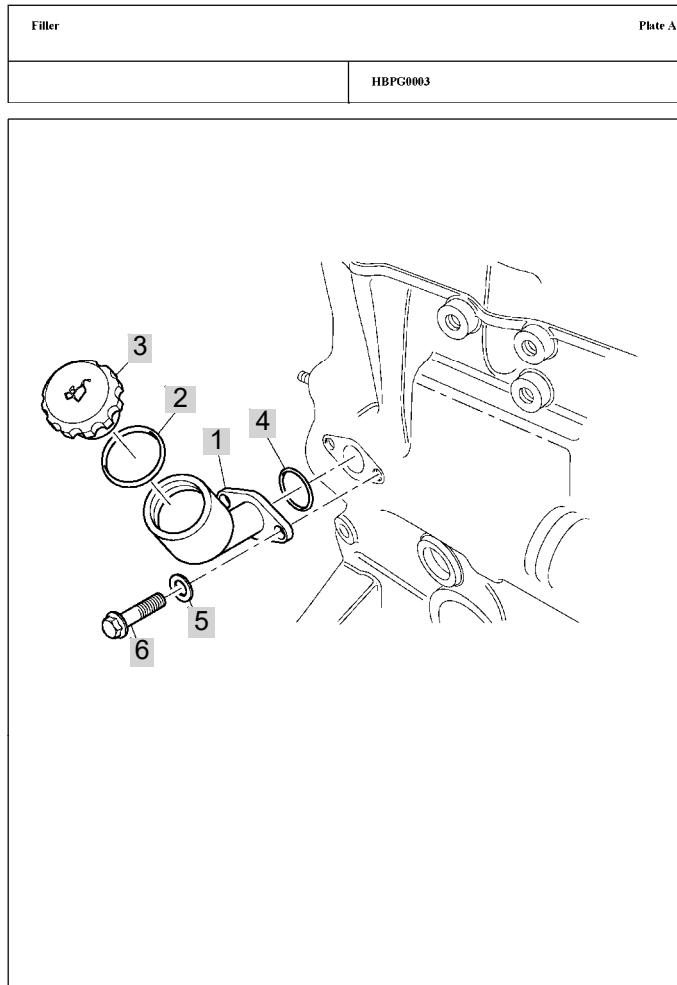
FIG 123

T603SP

Filler

년/월  
Year/Month

2020.11



Page 80

NOTE



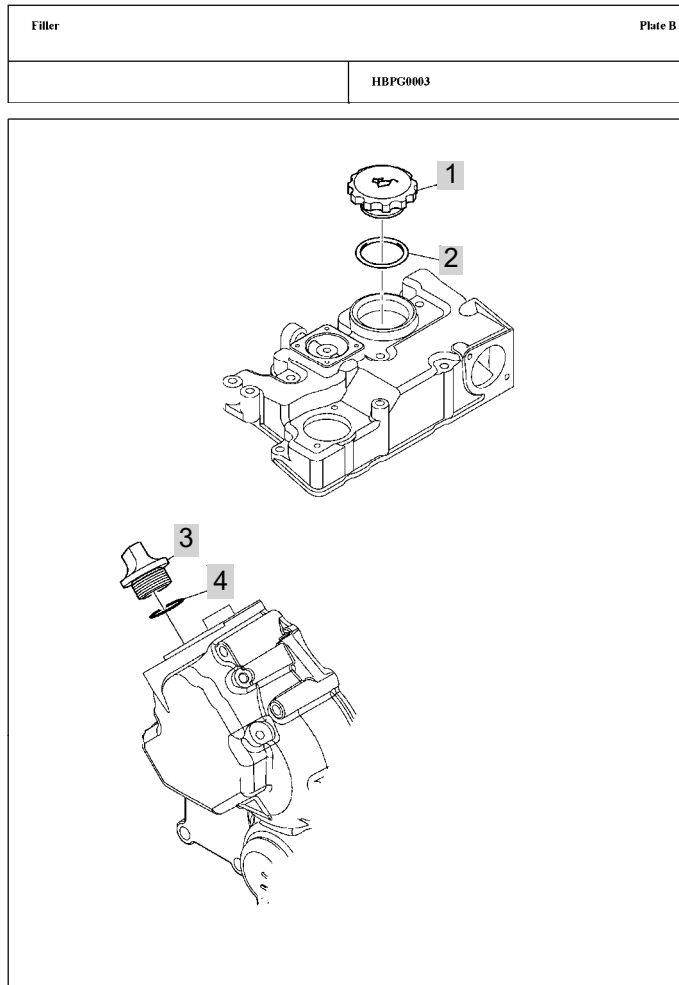
FIG 123-1

T603SP

Filler

년/월  
Year/Month

2020.11



Page 82

NOTE



FIG 124

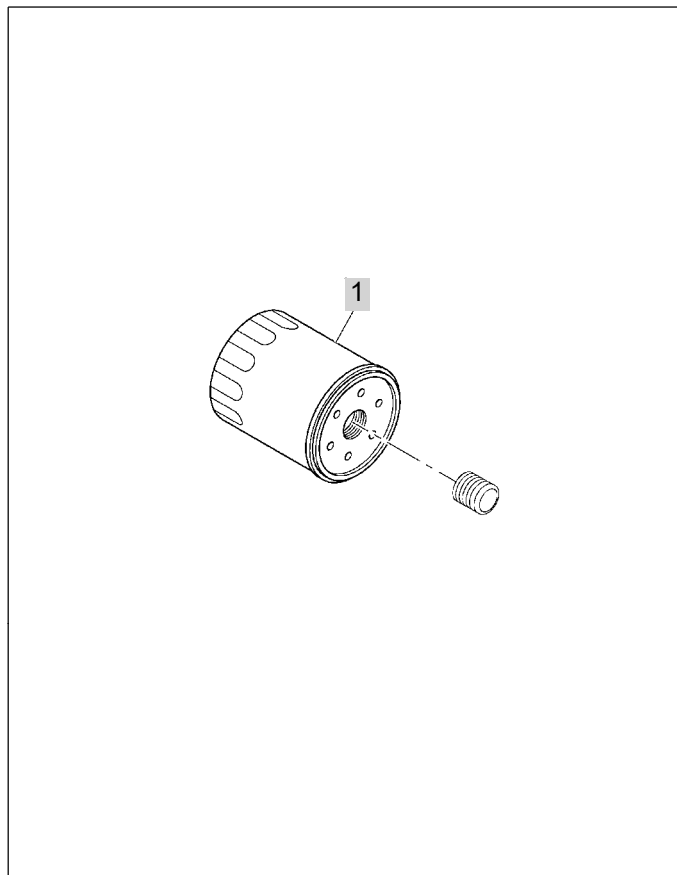
T603SP

Oil Filter

년/월  
Year/Month

2020.11

Oil Filter	Plate A
	JBPG0000



Page 84

NOTE



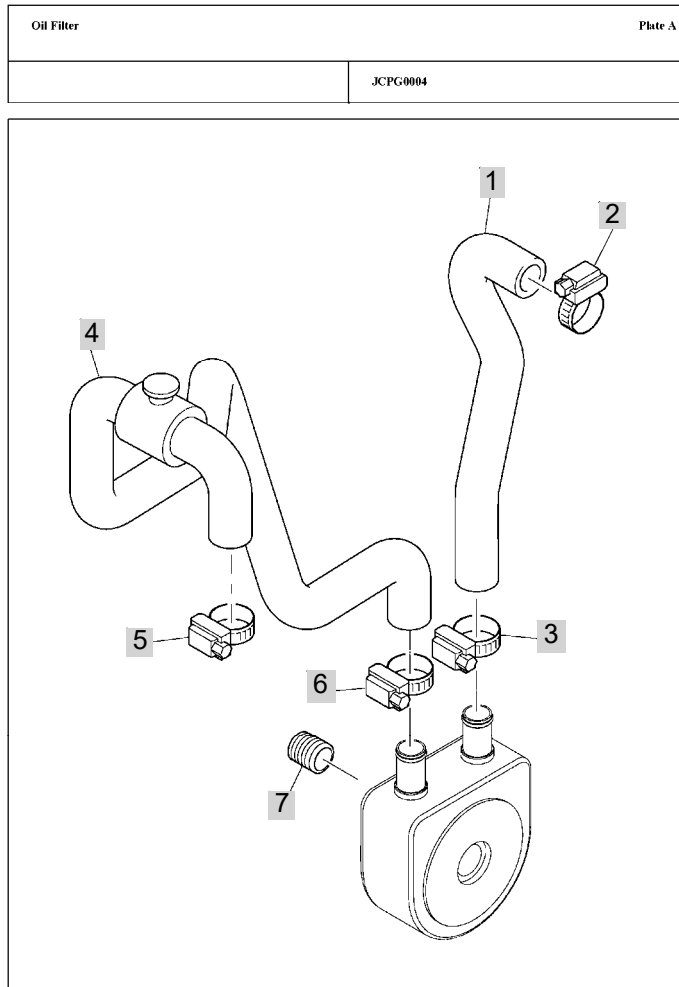
FIG 124-1

T603SP

Oil Filter

년/월  
Year/Month

2020.11



Page 86

NOTE





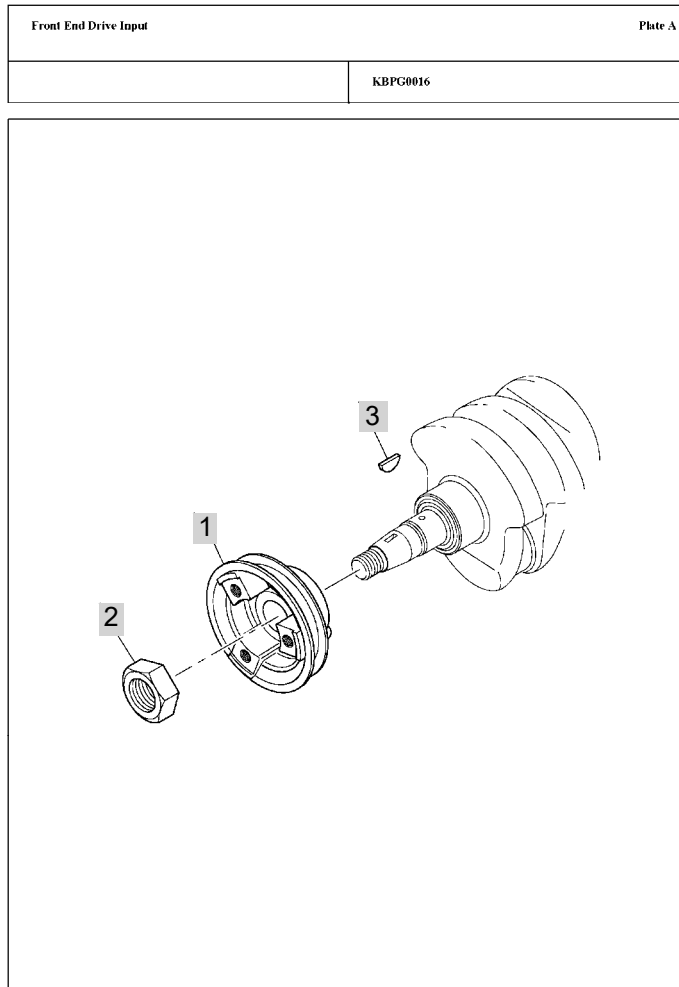
FIG 125

T603SP

# Front End Drive Input

년/월  
Year/Month

2020.11



Page 88

NOTE



FIG 126

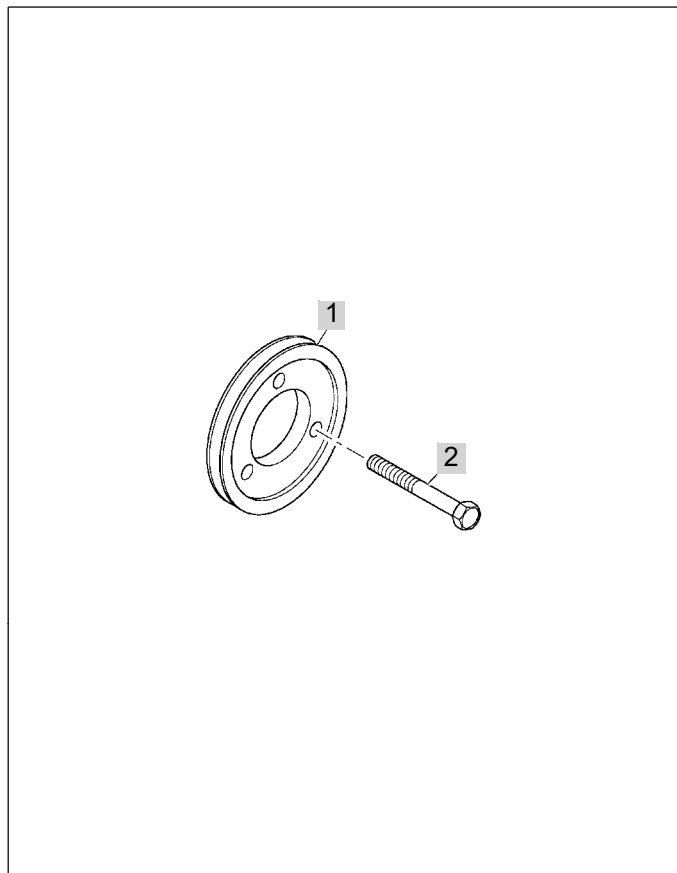
T603SP

# Front End Drive Output

년/월  
Year/Month

2020.11

Front End Drive Output	Plate A
KDPG0001	



Page 90

NOTE



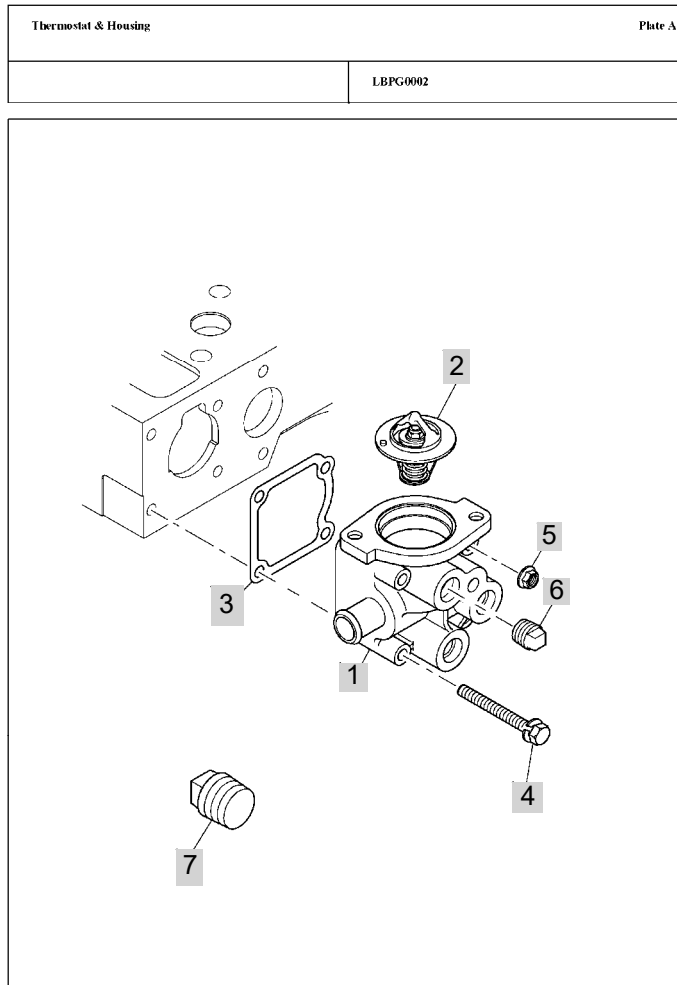
FIG 127

T603SP

Thermostat & Housing

년/월  
Year/Month

2020.11



Page 92

NOTE



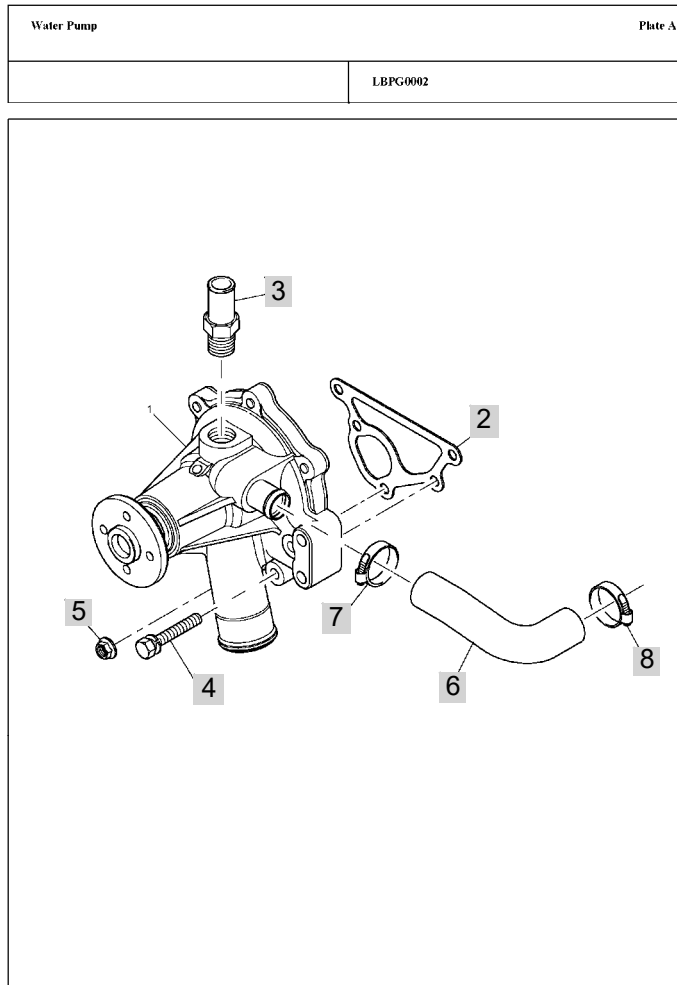
FIG 128

T603SP

# Water Pump

년/월  
Year/Month

2020.11



Page 94

NOTE





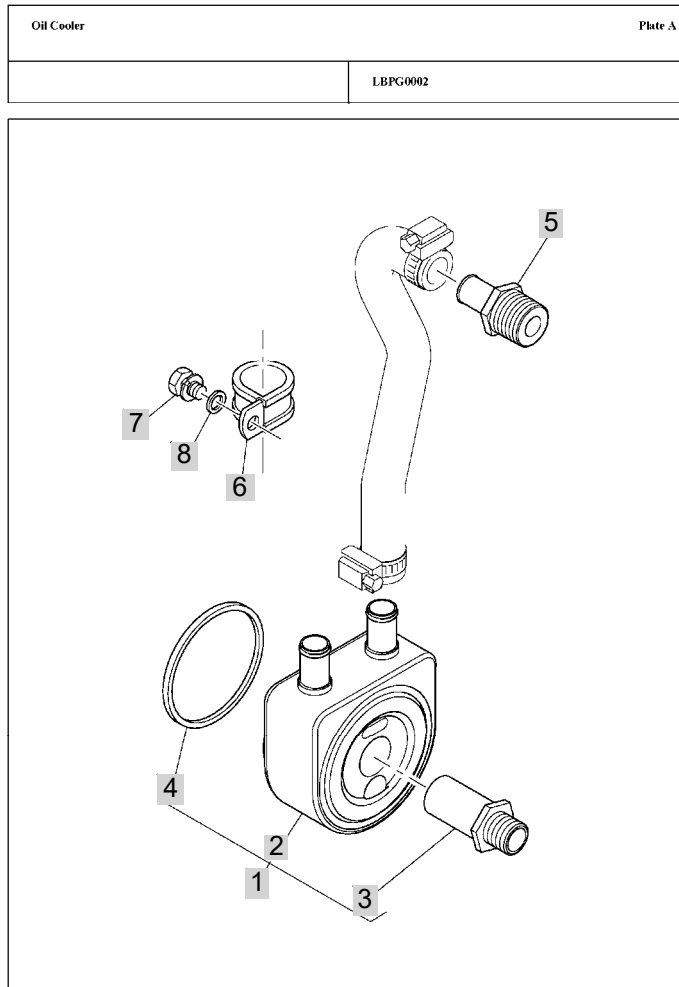
FIG 129

T603SP

Oil Cooler

년/월  
Year/Month

2020.11



Page 06

NOTE



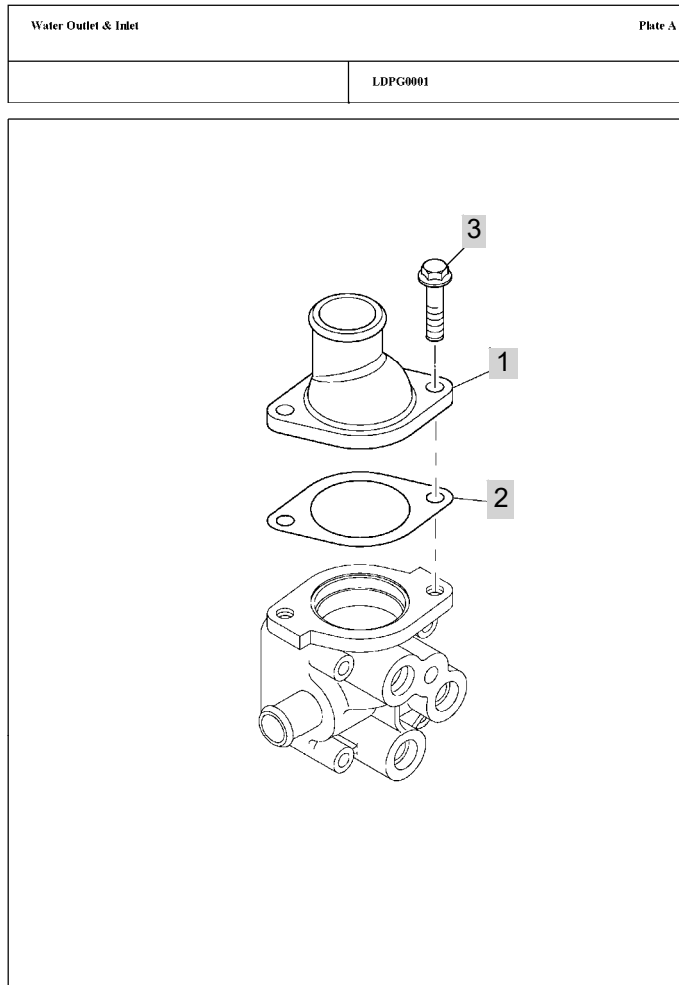
FIG 130

T603SP

Water Outlet & Inlet

년/월  
Year/Month

2020.11



Page 98

NOTE



FIG 131

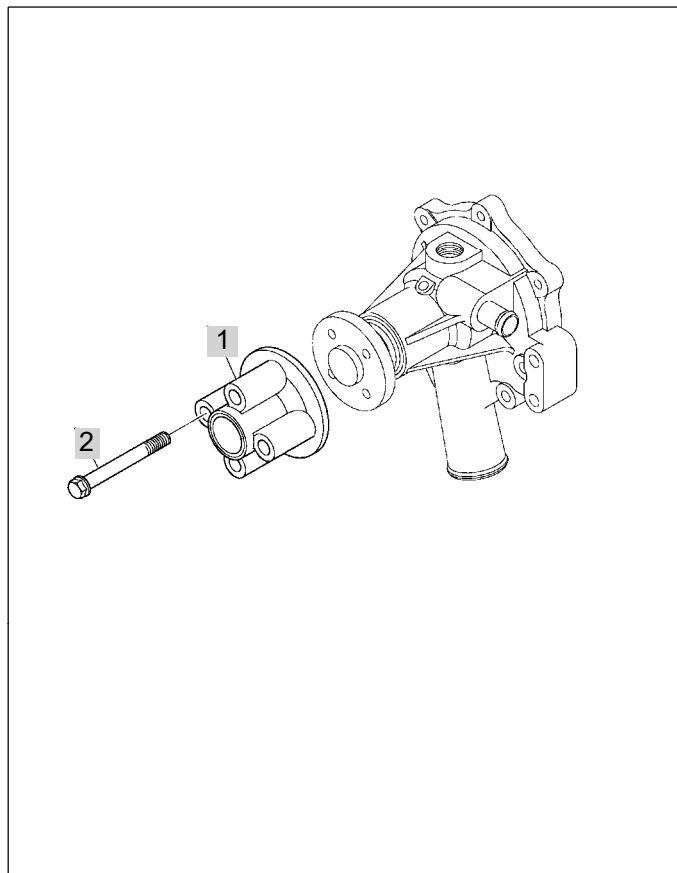
T603SP

# Fan Drive

년/월  
Year/Month

2020.11

Fan Drive	Plate A
MEPG0004	



Page 100

NOTE



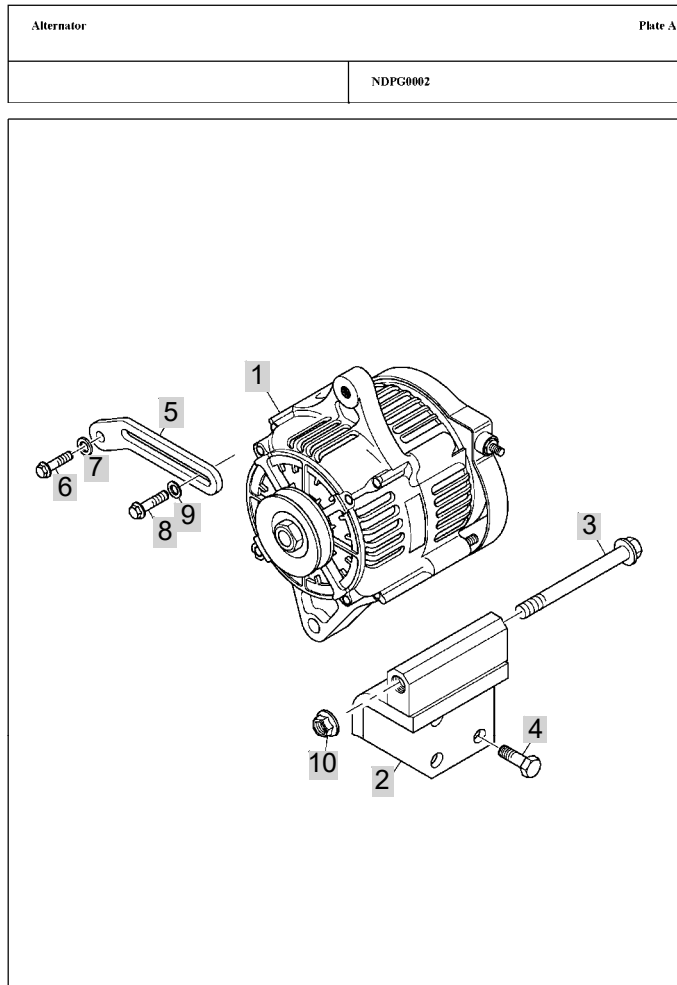
FIG 132

T603SP

# Alternator

년/월  
Year/Month

2020.11



Page 102

NOTE





FIG 133

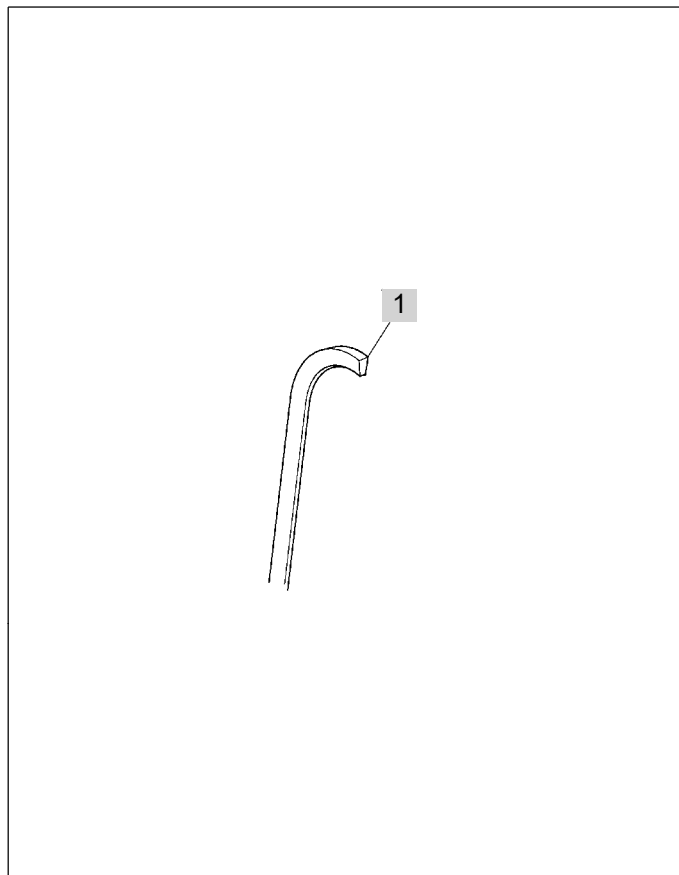
T603SP

Drive Belt & Tensioner

년/월  
Year/Month

2020.11

Drive Belt & Tensioner	Plate A
	NEPG0001



Page 104

NOTE



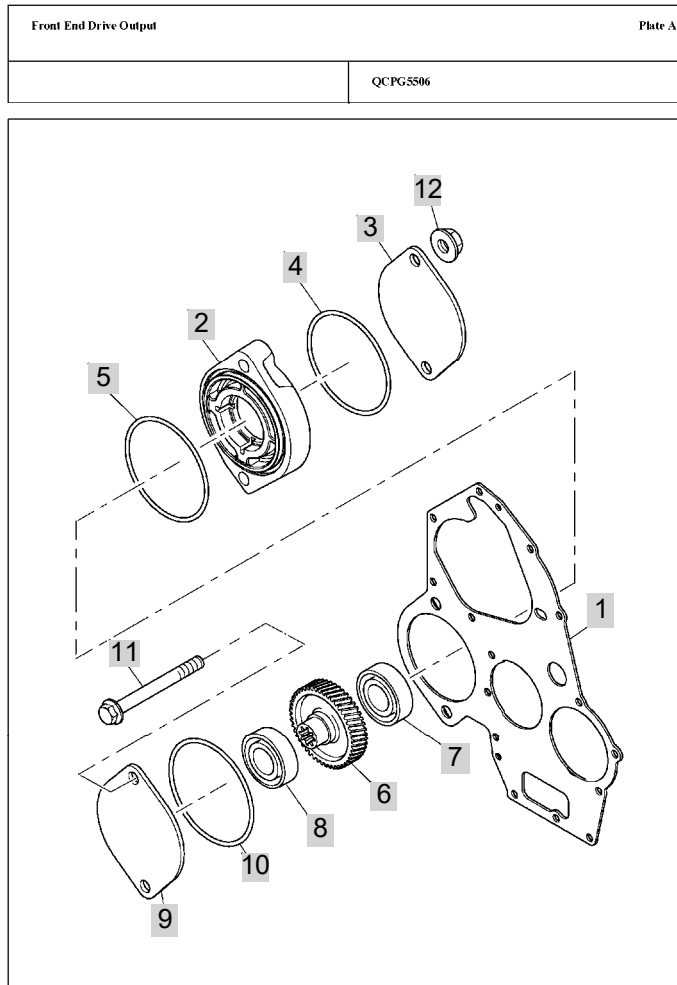
FIG 134

T603SP

# Front End Drive Output

년/월  
Year/Month

2020.11



Page 106

NOTE



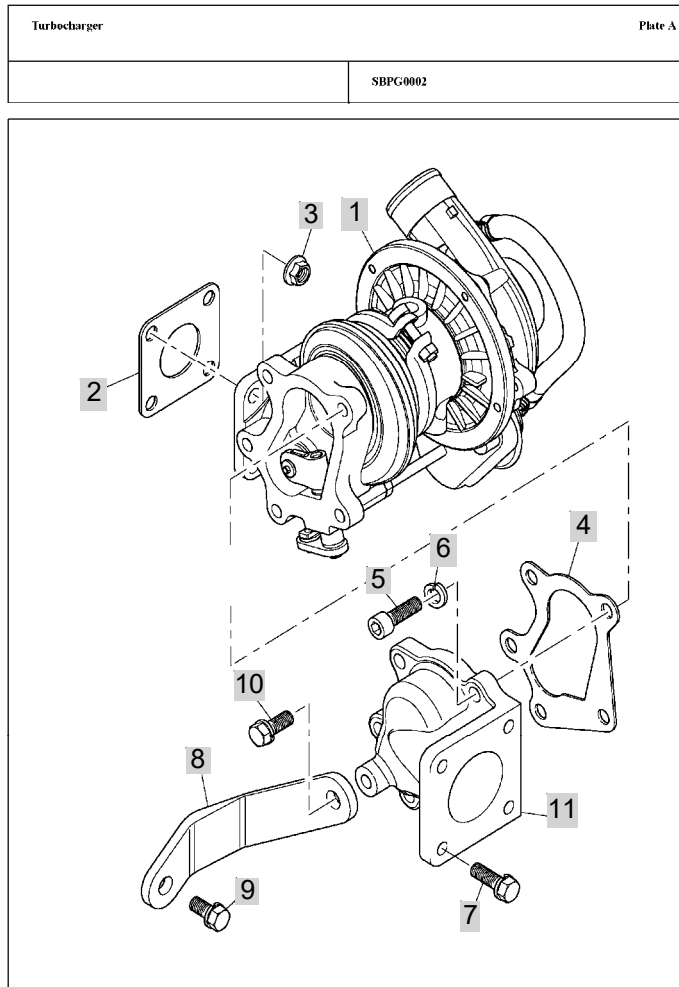
FIG 135

T603SP

Turbocharger

년/월  
Year/Month

2020.11



Page 108

NOTE



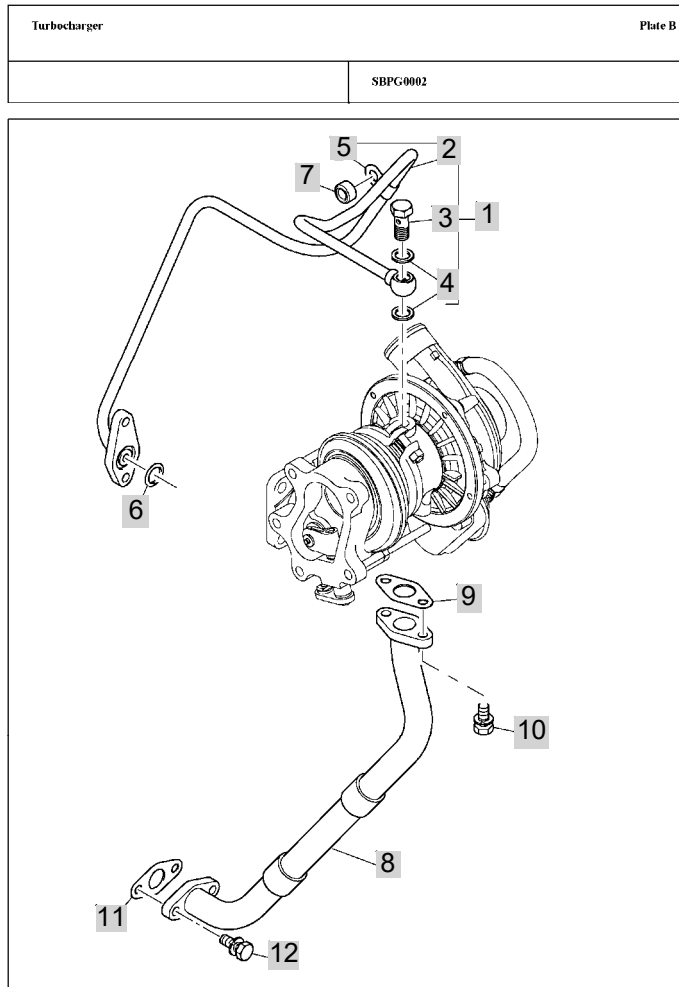
FIG 135-1

Turbocharger

년/월  
Year/Month

2020.11

T603SP



Page 110

NOTE

FIG 135-1		Turbocharger					년/월 Year/Month
T603SP							2020.11
KEY NO	PART NO	DESCRIPTION	SPEC	QTY	REPAIR	EFFECTIVE DATE	REMARKS
135-1	1	U40607480	PIPE - TURBO OIL FEED				
135-1	2	--	Not serviced separately				
135-1	3	U98487930	BANJO BOLT				
135-1	4	2131A506	WASHER				
135-1	5	U99116450	PIPE CLIP				
135-1	6	052109078	SEAL - O RING				
135-1	7	199237000	SPACER				
135-1	8	U40607470	PIPE - TURBO OIL DRAIN				
135-1	9	3688A035	GASKET				
135-1	10	010109600	SCREW				
135-1	11	3688A035	GASKET				
135-1	12	010109600	SCREW				
NOTE							



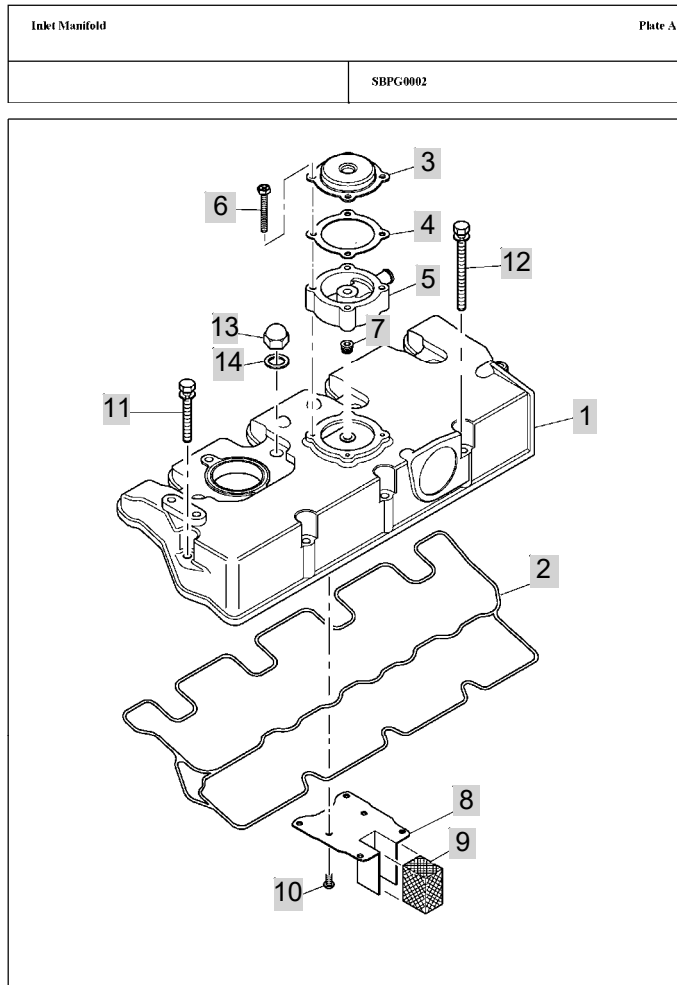
FIG 136

T603SP

# Inlet Manifold

년/월  
Year/Month

2020.11



Page 112

NOTE



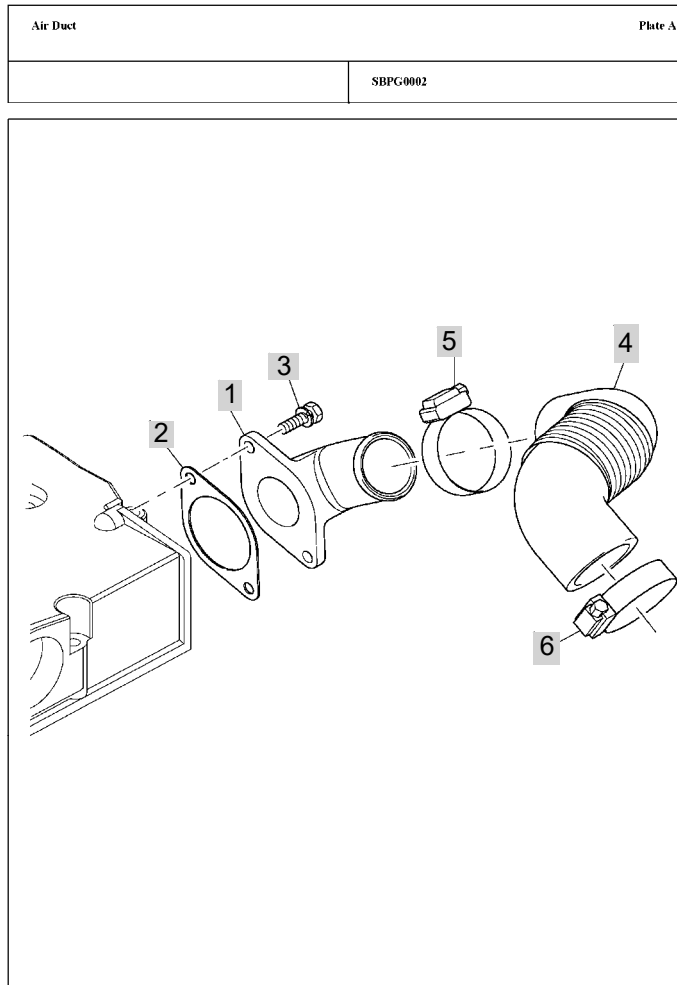
FIG 137

T603SP

Air Duct

년/월  
Year/Month

2020.11



Page 114

NOTE



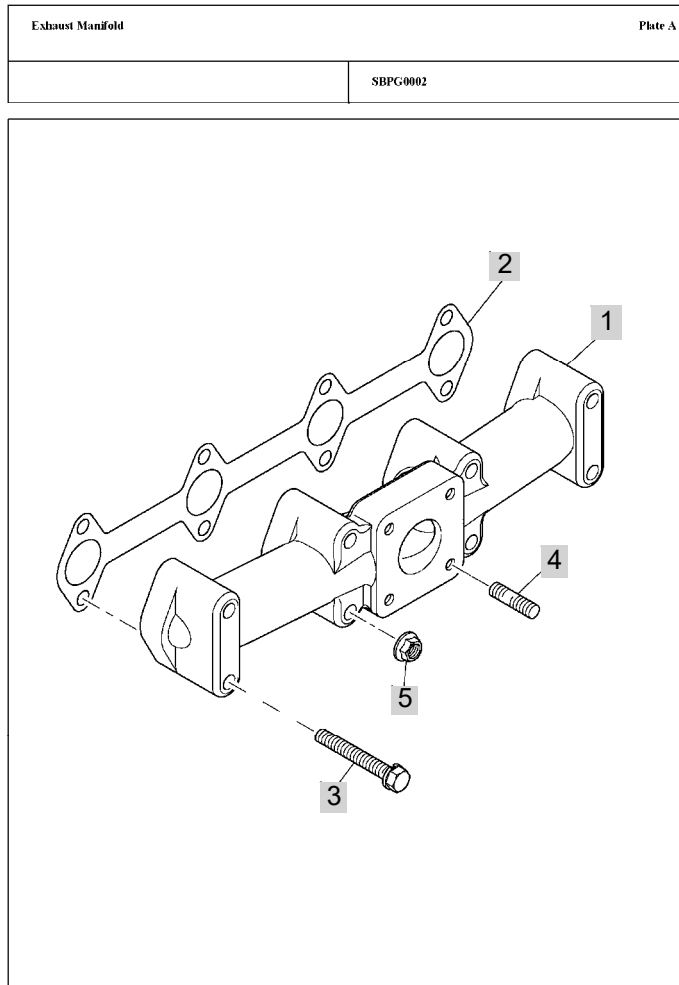
FIG 138

T603SP

Exhaust Manifold

년/월  
Year/Month

2020.11



Page 116

NOTE



FIG 138-1

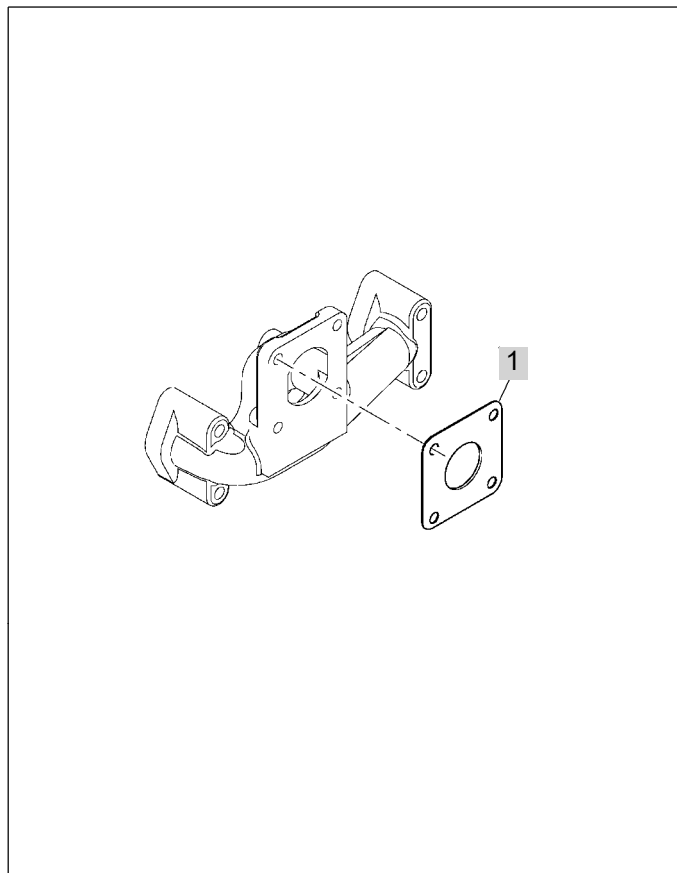
T603SP

# Exhaust Manifold

년/월  
Year/Month

2020.11

Exhaust Manifold	Plate A
UDPG5501	



Page 118

NOTE





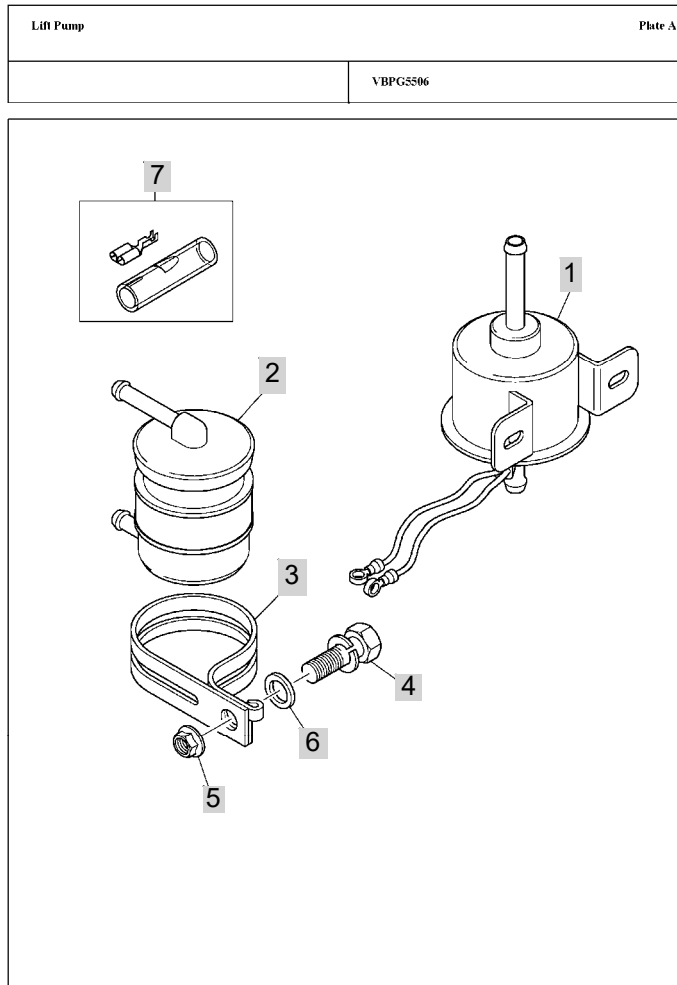
FIG 139

T603SP

# Lift Pump

년/월  
Year/Month

2020.11



Page 120

NOTE



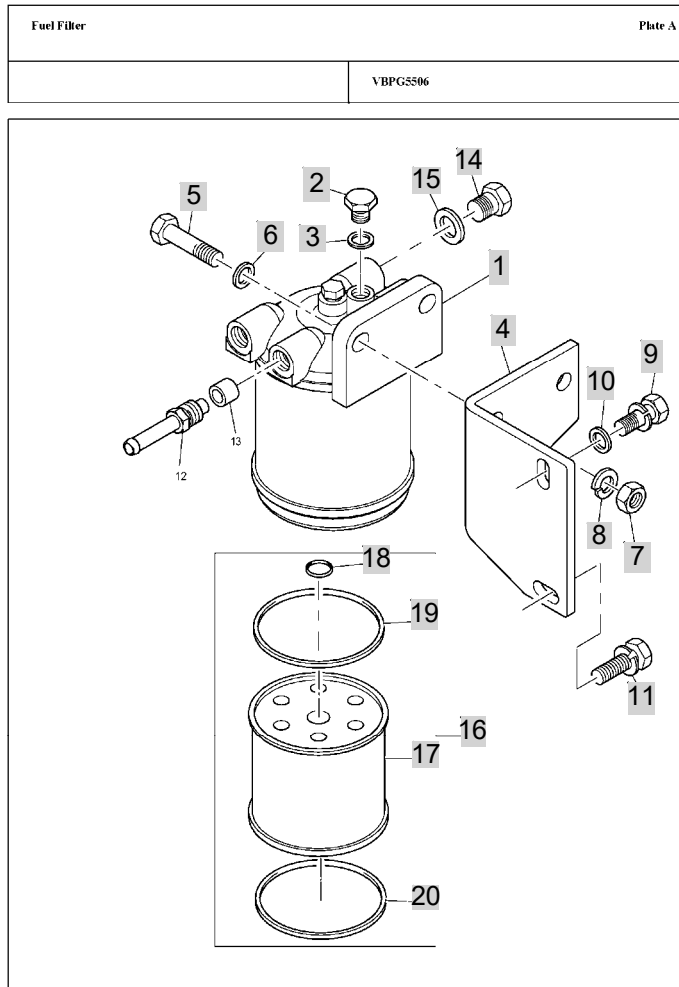
FIG 140

T603SP

# Fuel Filter

년/월  
Year/Month

2020.11



Page 122

NOTE



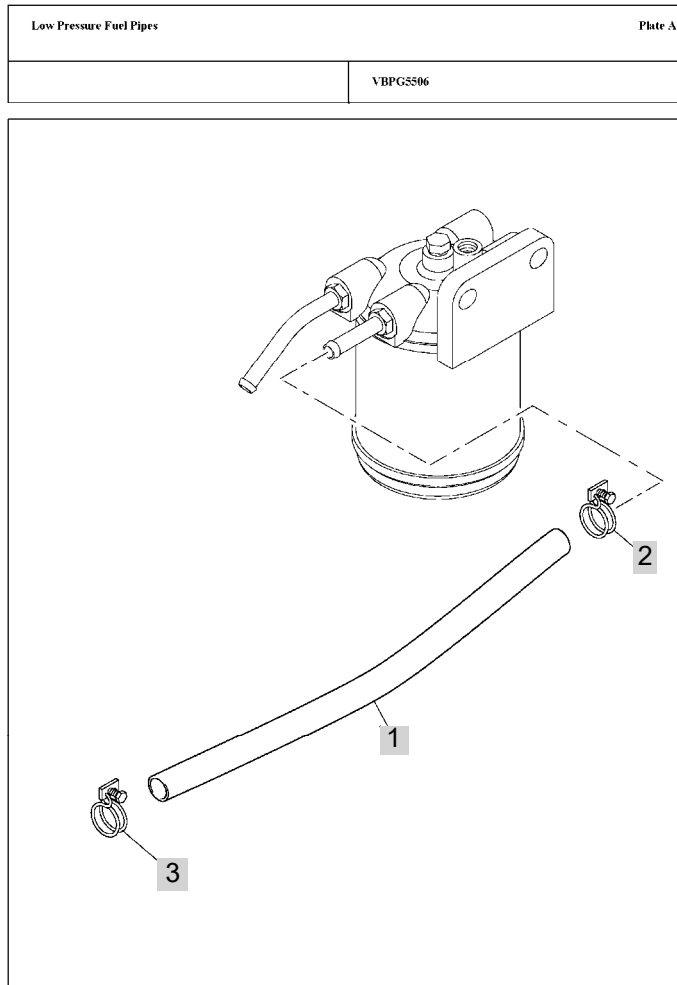
FIG 141

T603SP

Low Pressure Fuel Pipes

년/월  
Year/Month

2020.11



Page 124

NOTE



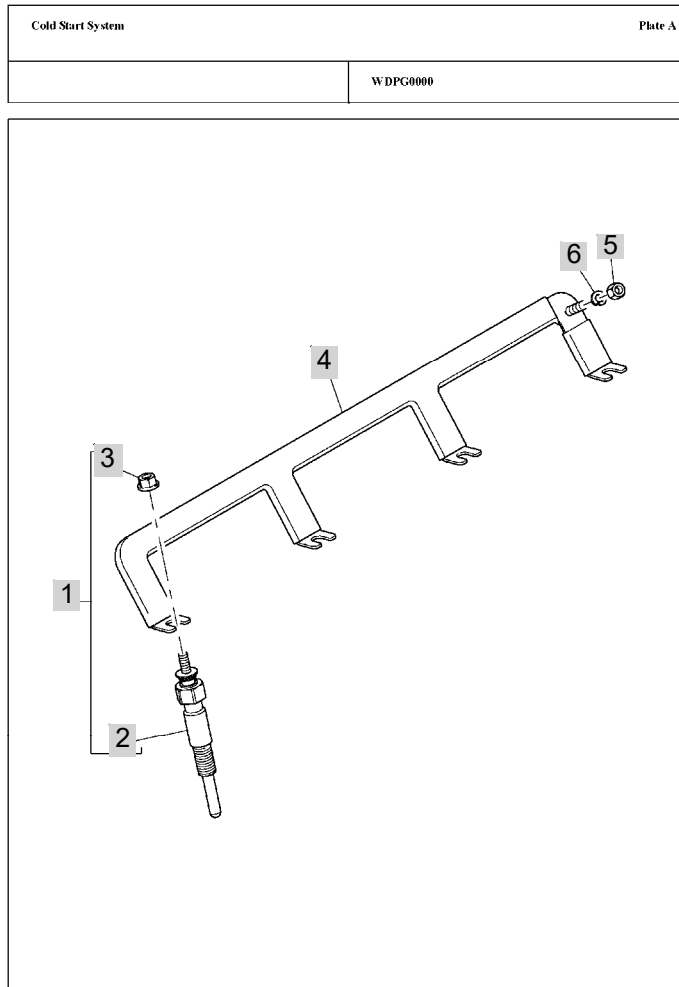
FIG 142

T603SP

Cold Start System

년/월  
Year/Month

2020.11



Page 126

NOTE





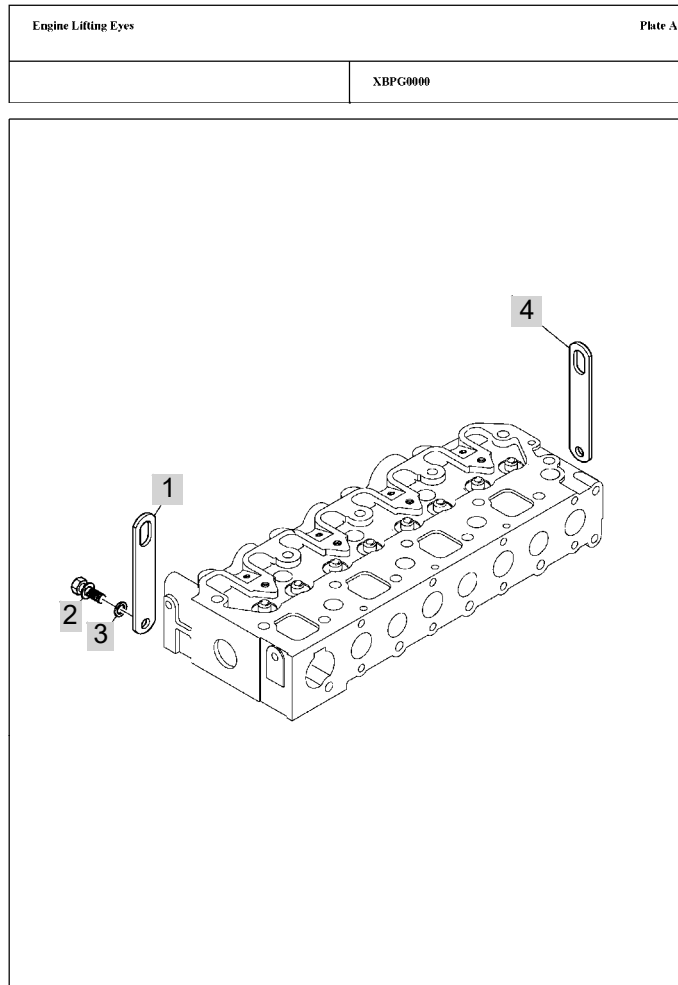
FIG 143

T603SP

# Engine Lifting Eyes

년/월  
Year/Month

2020.11



Page 128

NOTE

FIG 143		Engine Lifting Eyes						년/월	REMARKS
								Year/Month	
T603SP								2020.11	
KEY NO		PART NO	DESCRIPTION	SPEC	QTY	REPAIR	EFFECTIVE DATE		
143	1	195816100	LIFTING EYE		1				
143	2	011510820	SCREW		1				
143	3	026100008	WASHER		1				
143	4	195816100	LIFTING EYE		1				
NOTE									

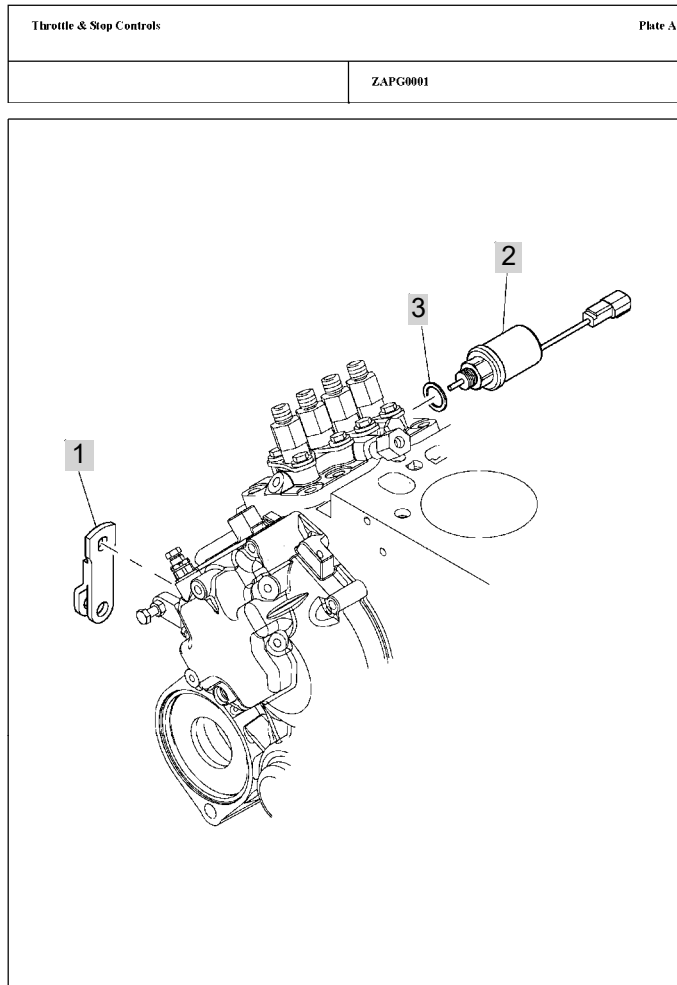
FIG 144

T603SP

# Throttle & Stop Controls

년/월  
Year/Month

2020.11



Page 130

NOTE



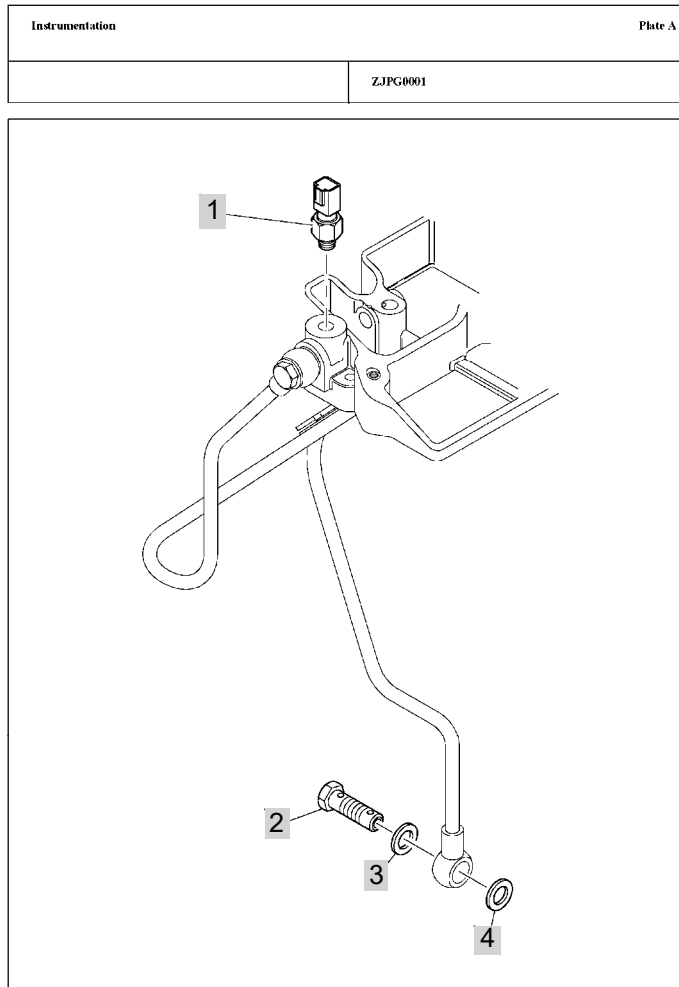
FIG 145

T603SP

Instrumentation

년/월  
Year/Month

2020.11



Page 132

NOTE



FIG 146

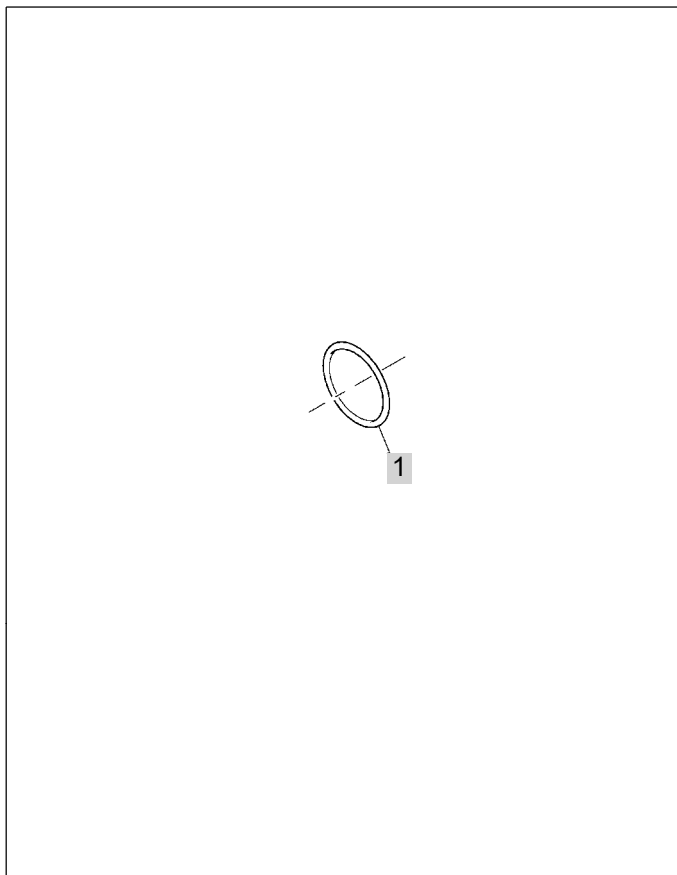
T603SP

Instrumentation

년/월  
Year/Month

2020.11

Miscellaneous	Plate A
	ZKPG5530



Page 134

NOTE





FIG 147

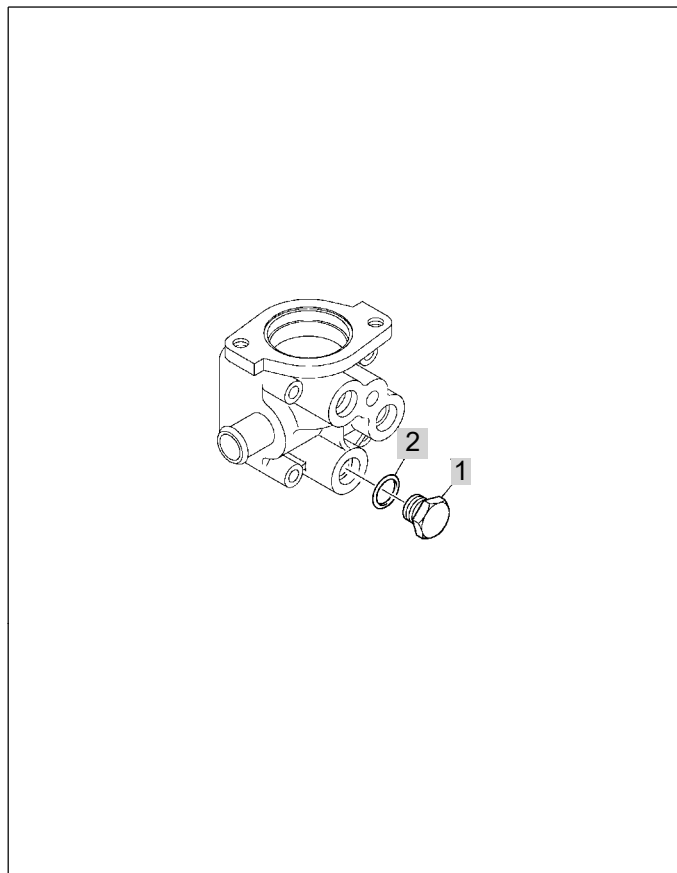
T603SP

Instrumentation

년/월  
Year/Month

2020.11

Instrumentation	Plate A
	ZLPG0000



Page 134

NOTE

FIG 147		Instrumentation						년/월 Year/Month	REMARKS
T603SP								2020.11	
KEY NO	PART NO	DESCRIPTION	SPEC	QTY	REPAIR	EFFECTIVE DATE	REMARKS		
147	1	20058	PLUG						
147	2	052109076	SEAL - O RING						
NOTE									

FIG 148

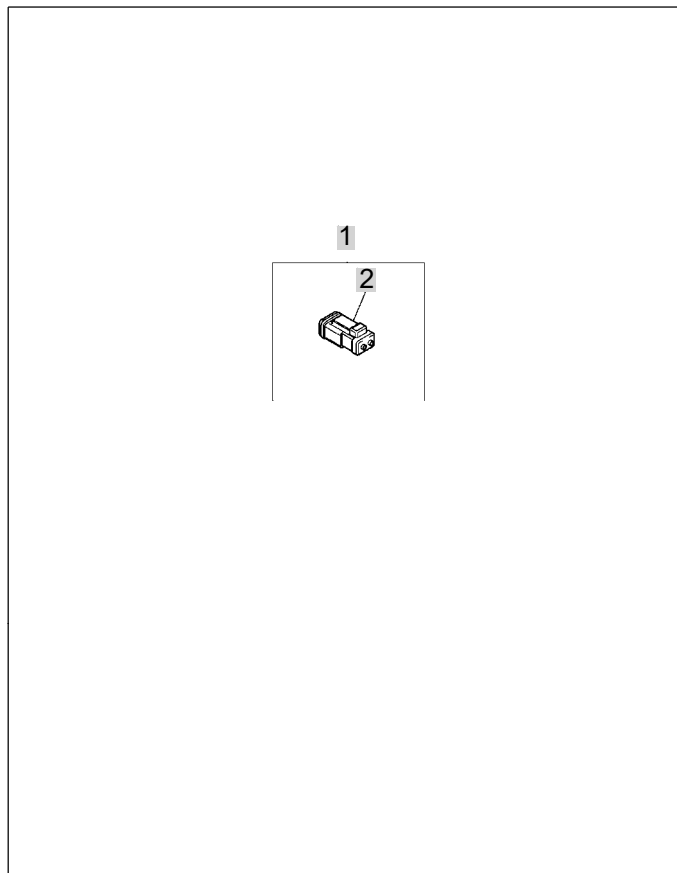
T603SP

Electrical Wiring & Fittings

년/월  
Year/Month

2020.11

Electrical Wiring & Fittings	Plate A
	ZPPG0001



Page 13c

NOTE

FIG 148 T603SP		Electrical Wiring & Fittings					년/월 Year/Month	
							2020.11	
KEY NO	PART NO	DESCRIPTION	SPEC	QTY	REPAIR	EFFECTIVE DATE	REMARKS	
148	1	20195	CONNECTION KIT	1				
148	2	--	Not seviced separately	3				
NOTE								

FIG 149

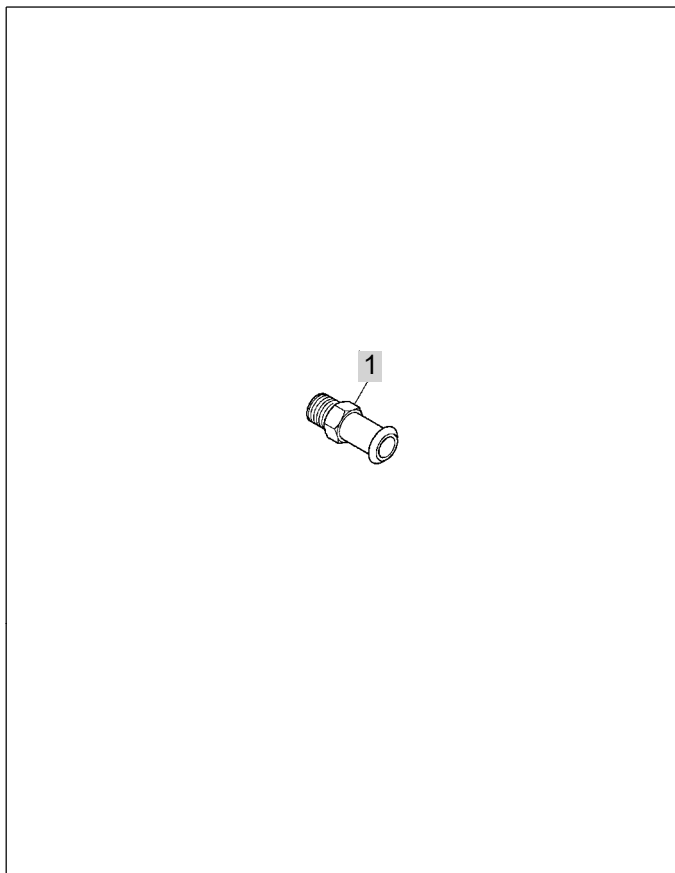
T603SP

Application Miscellaneous & Auxiliaries

년/월  
Year/Month

2020.11

Application Miscellaneous & Auxiliaries	Plate A
	ZWPG0001



Page 138

NOTE



## Z. ENGINE ACCESSORIES & CONTROL PART NO.

### T603SP-E-C2

FIG 201 AIR CLEANER	136
FIG 202 RADIATOR	138
FIG 203 MUFFLER	140
FIG 204B FUEL HOSE & FILTER	142
FIG 205 FUEL TANK	144
FIG 206 ACCELERATOR	146
FIG 207 OIL COOLER	148

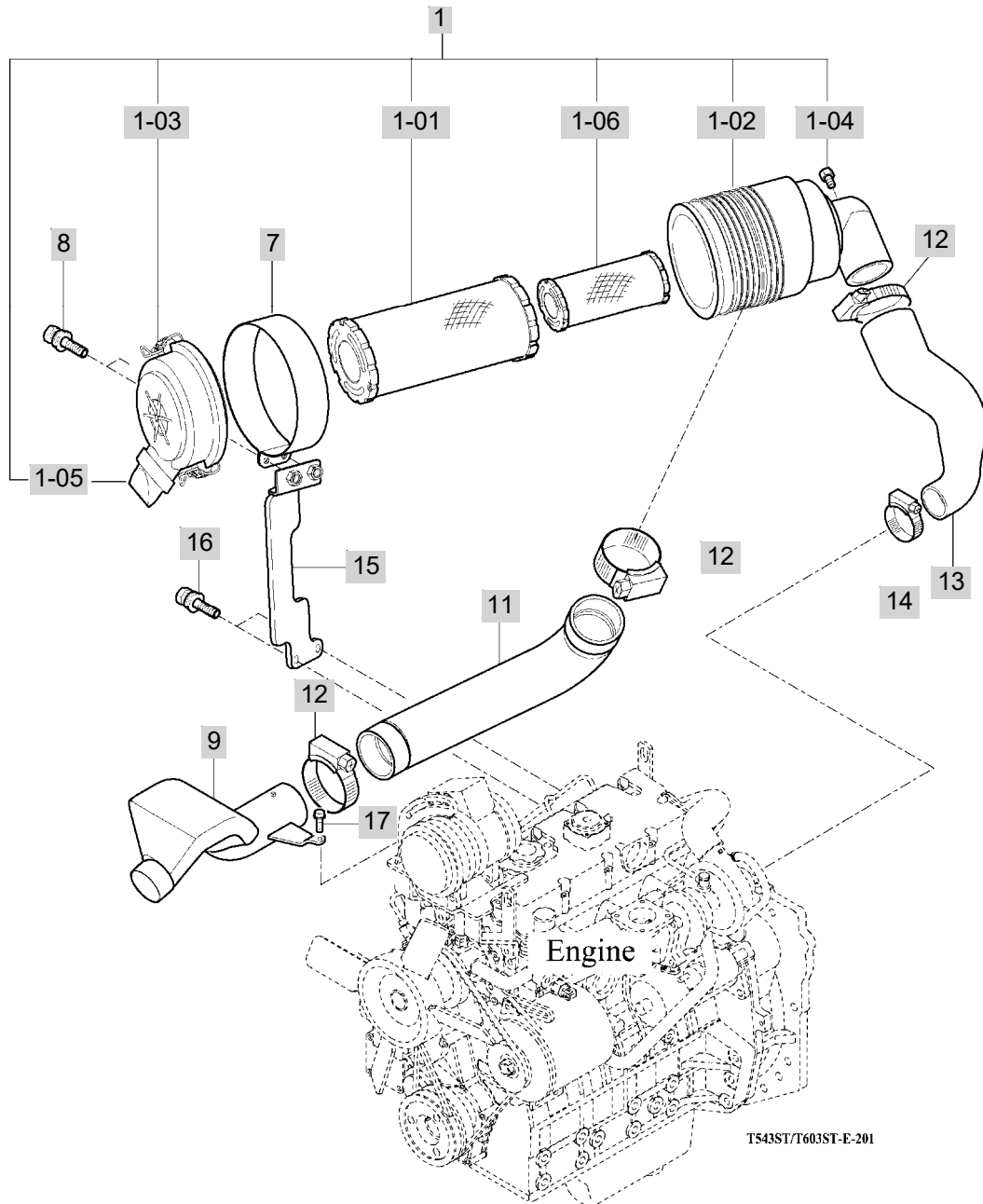
FIG 201

AIR CLEANER

년/월  
Year/Month

2020.11

T603SP



NOTE





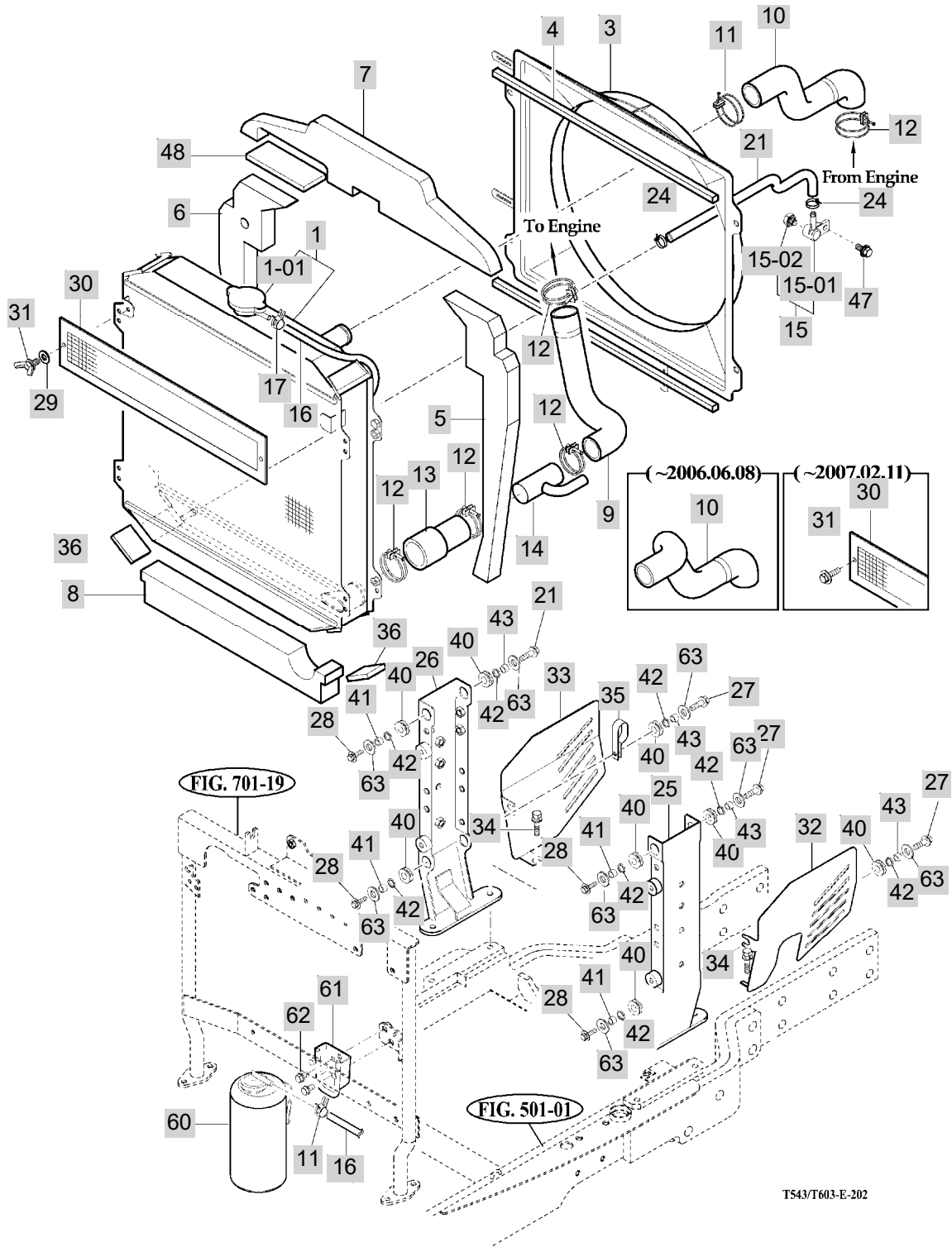
FIG 202

RADIATOR

년/월  
Year/Month

2020.11

T603SP



T543/T603-E-202

NOTE

FIG 202		RADIATOR					년/월 Year/Month		
							2020.11		
T603SP		KEY NO	PART NO	DESCRIPTION	SPEC	QTY	REPAIR	EFFECTIVE DATE	REMARKS
202	1	19951042101	RADIATOR ASSY	1X1X1	1				
202	1-01	16601042160	CAP ASSY	1X1X1	1				
202	3	19951042202	SHROUD COMP	1X1X1	1				
202	4	16601042340	SPONGE , 495		4			20101027	
202	5	19956040052	INSULATOR , LH RADIATOR	T=30	1				
202	6	19956040062	INSULATOR , RH RADIATOR	T=30	1				
202	7	19951040132	INSULATOR , HOOD	1X1X1	1			20060101	
202	8	19951040142	INSULATOR UNDER	420X40T	1				
202	9	19841040110	HOSE,OUTLET RADIATOR	1X1X1	1			20090623	
202	10	19951040012	HOSE(RADIATOR/INLET)	1X1X1	1				
202	11	14885050150	CLIP, HOSE		1			20090623	
202	12	1471010220	CLAMP , (50)		1			20100301	
202	13	19951040122	HOSE,OUTLET2 RADIATOR	L=80	1			20090623	
202	14	14628202600	PIPE COMP	1X1X1	1				
202	15	15231041000	CONNECTOR		0			20101027	
202	15-01	15231041000	CONNECTOR		0			20101027	
202	15-02	16991113132	PLUG	1X1X1	0			20060701	
202	16	19021024300	HOSE . 530	13X500	1			20120621	
202	17	37481850030	BAND , HOSE 18.5	1/2 3/4	1			20120105	
202	21	19951040153	HOSE,DRAIN	1X1X1	1			20090623	
202	24	37681850160	BAND , CLAMP(22)		0			20101027	
202	25	19951142000DG	BRACKET COMP , LH RADIATOR	1X1X1	1				
202	26	19951143110DG	SUPPORT , RH RADIATOR	1X1X1	1			20090623	
202	27	V2183608030	BOLT , HEX/SP	M8X30	2			20040401	
202	28	V2193606025	BOLT , HEX/SPL	M6X25	4			20071108	
202	29	V4111600060	WASHER , PLAIN	M6	0			20081201	
202	30	17401042302DG	NET COMP	1X1X1	1				
202	31	V2123606012	BOLT , HEX /SP	M6X12	2			20040401	
202	32	19951040100DG	SHIELD , LH	1X1X1	1				
202	33	19951040090DG	SHIELD , RH	1X1X1	1				
202	34	V2205408016	BOLT .HEX/R	M8X16	4			20071207	
202	35	14441010161	CLAMP , RADIATOR HOSE	1X1X1	1			20111221	
202	36	15641040161	INSULATOR		0			20101027	
202	40	13012060070	RUBBER ,8.5X30X5	1X1X1	2			20120105	
202	41	15991040050	COLLAR , 08X12X08	12X1.8	0			20100402	
202	42	35652030040	COLLAR , PACKER SHAFT	T=1.0	0			20100402	
202	43	19541040050	COLLAR , 08X12X12		0			20090623	
202	47	V2183608012	BOLT , HEX/SP	M8X12	1				
202	48	16991040020	INSULATOR , RADIATOR	T=10	0			20100402	
202	60	16003302100	TANK ASSY , RESERVE		1				
202	61	36753302201DG	HOLDER COMP , TANK/RESERVE	1X1X1	1				
202	62	V2173608025	BOLT , HEX/S	M8X25	2			20120710	
202	63	35602010150	WASHER , BIND SHAFT	T=2.3	0			20100402	

NOTE

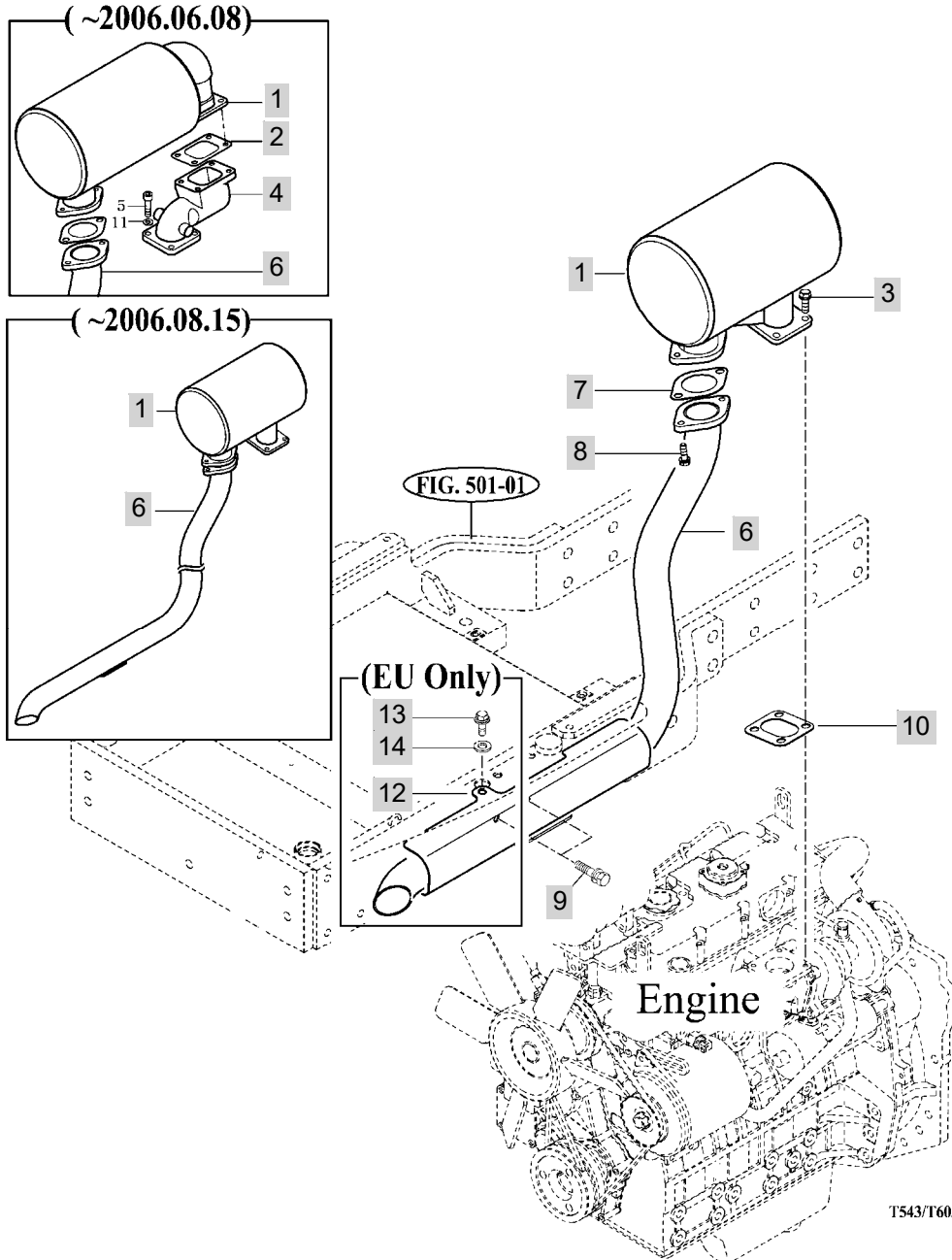
FIG 203

MUFFLER

년/월  
Year/Month

2020.11

T603SP



NOTE



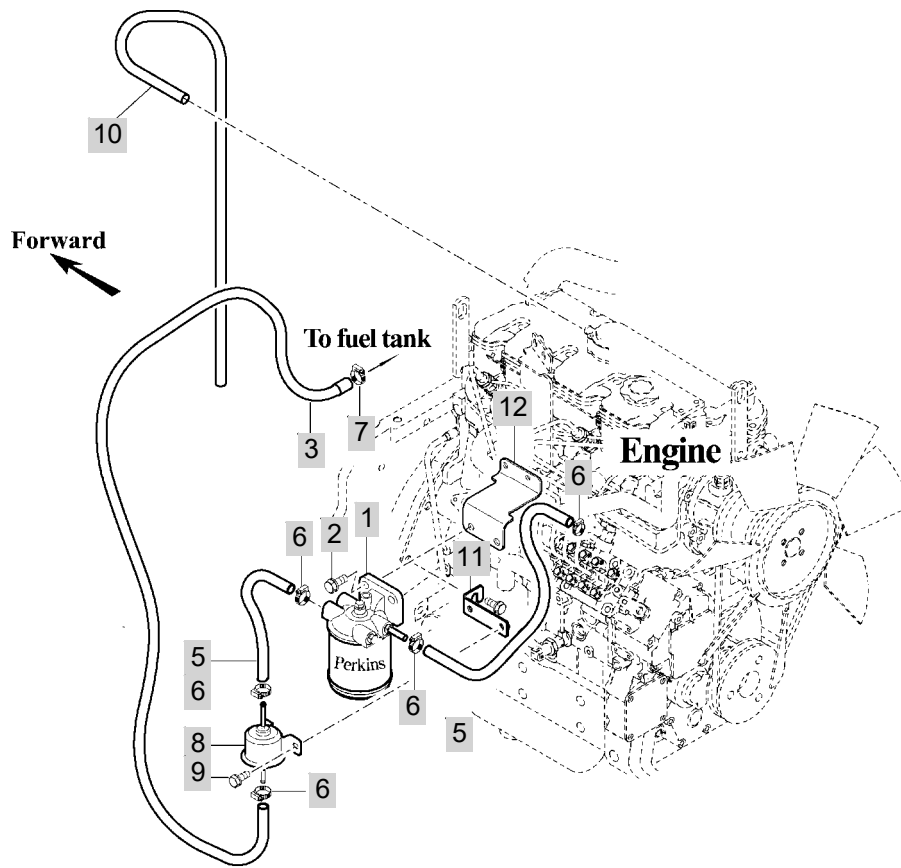
FIG 204B

T603SP

FUEL HOSE & FILTER

년/월  
Year/Month

2020.11



T543/603-E-204B

NOTE



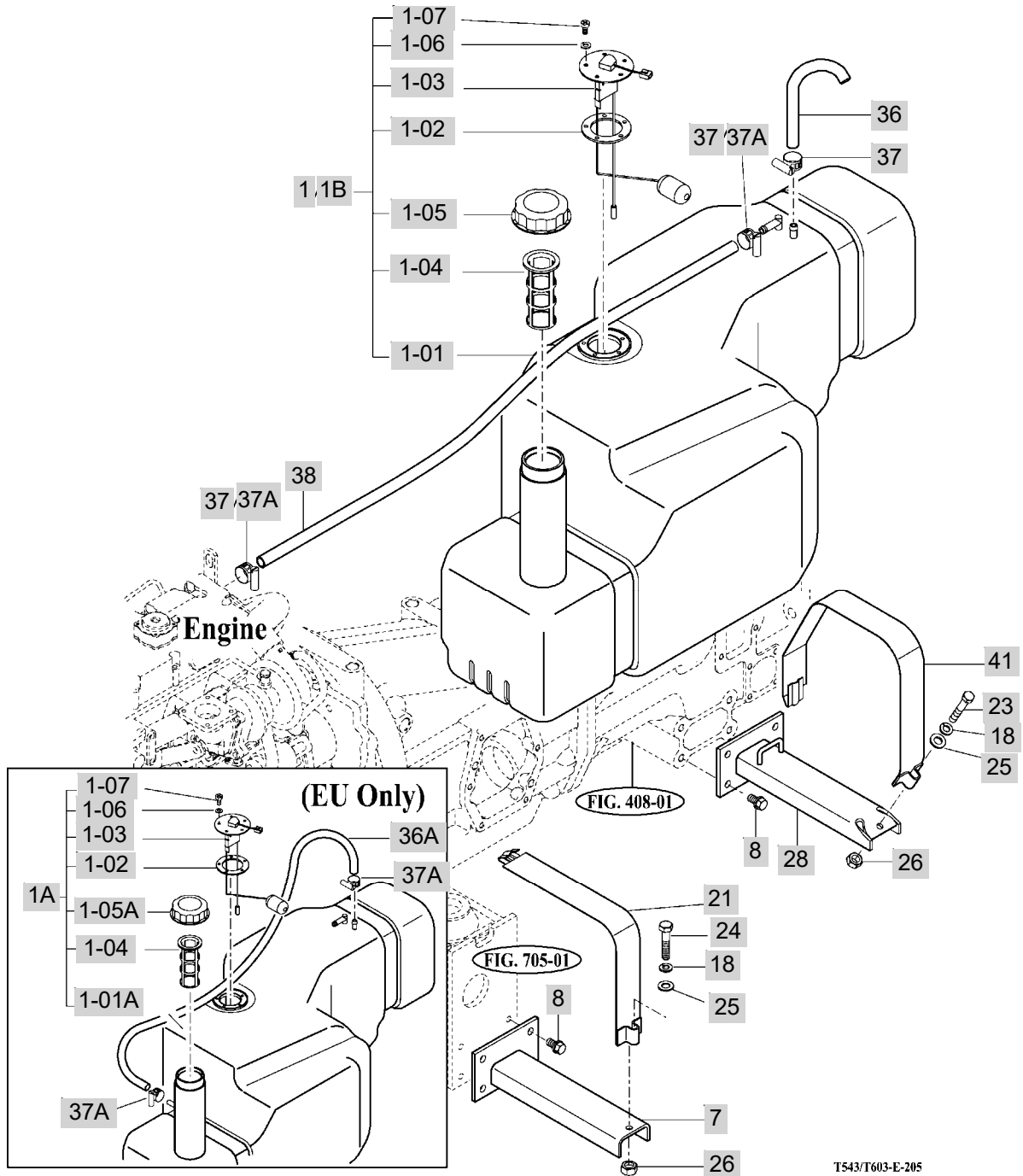
FIG 205

FUEL TANK

년/월  
Year/Month

2020.11

T603SP



T543/T603-E-205

NOTE





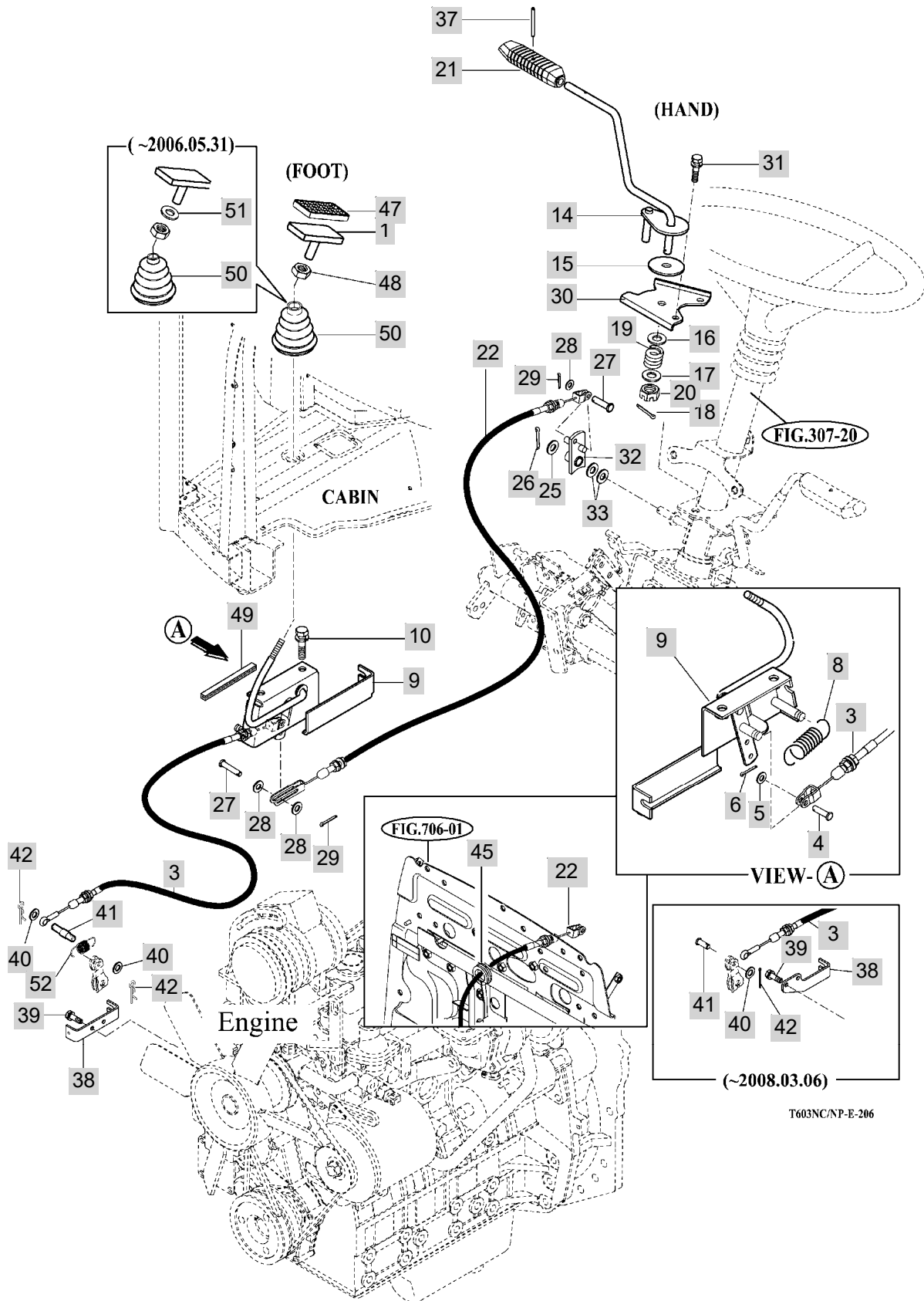
FIG 206

ACCELERATOR

년/월  
Year/Month

2020.11

T603SP



NOTE



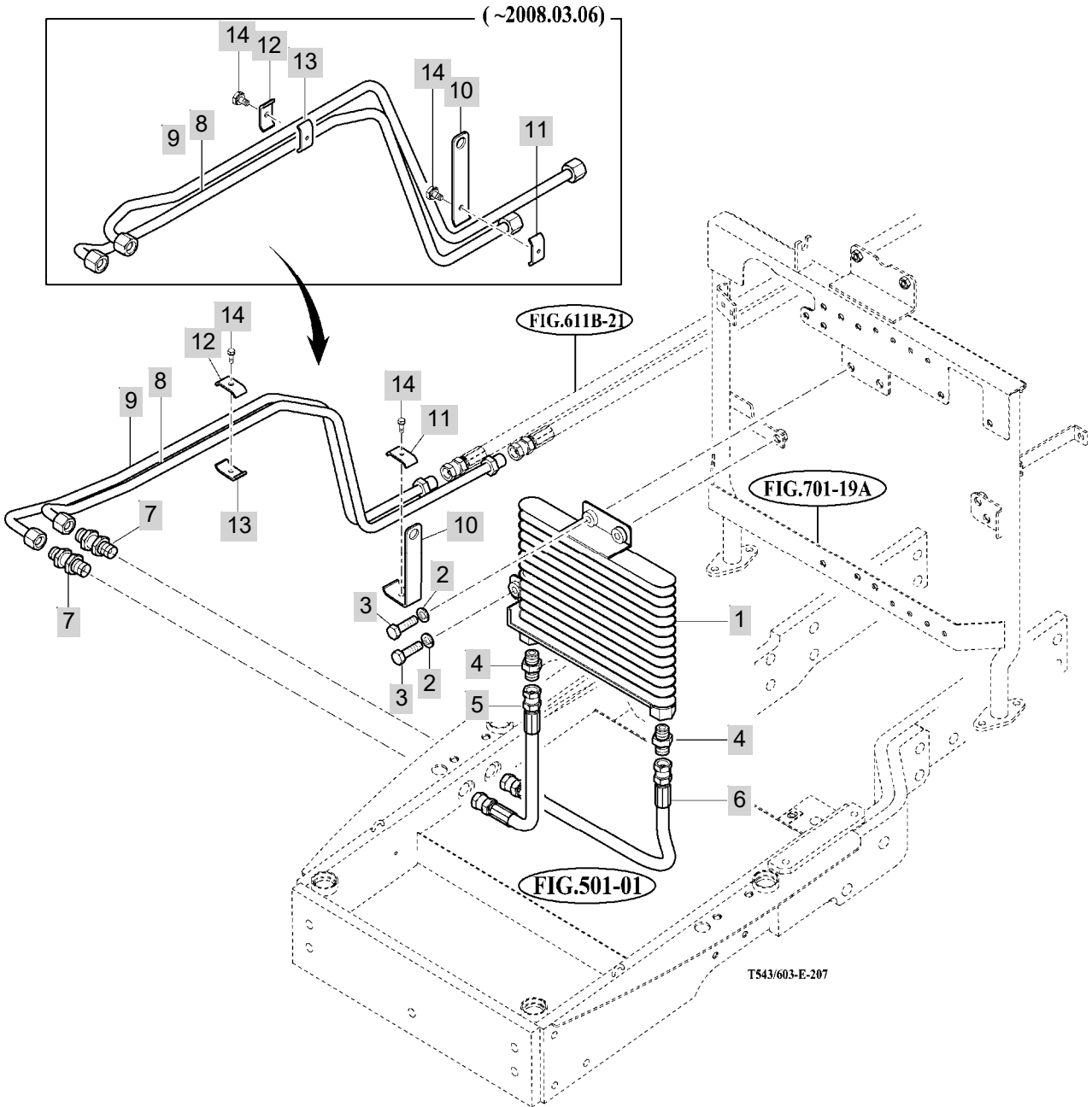
FIG 207

OIL COOLER

년/월  
Year/Month

T603SP

2020.11



NOTE



### 3. CLUTCH, BRAKE, STEERING PART NO. T603SP-E-C3

FIG 301B CLUTCH	151
FIG 302B CLUTCH PEDAL	153
FIG 303 BRAKE	155
FIG 304 BRAKE PEDAL & LINKAGE	157
FIG 305A FRONT WHEEL	159
FIG 305B FRONT WHEEL-R3	161
FIG 305C FRONT WHEEL-R4	163
FIG 306A REAR WHEEL	165
FIG 306B REAR WHEEL-R3	167
FIG 306C REAR WHEEL-R4	169
FIG 307 POWER STEERING WHEEL	171
FIG 308 POWER STEERING VALVE	173
FIG 309 POWER STEERING CYLINDER	175

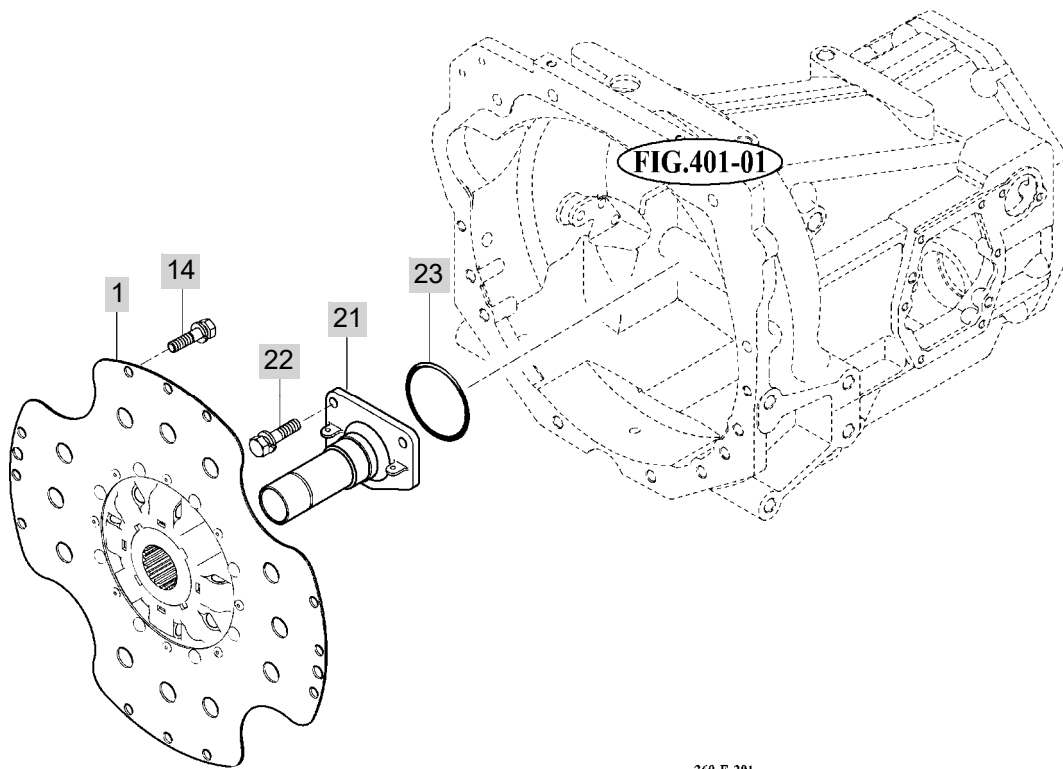
FIG 301B

T603SP

CLUTCH

년/월  
Year/Month

2020.11



360-E-301

NOTE





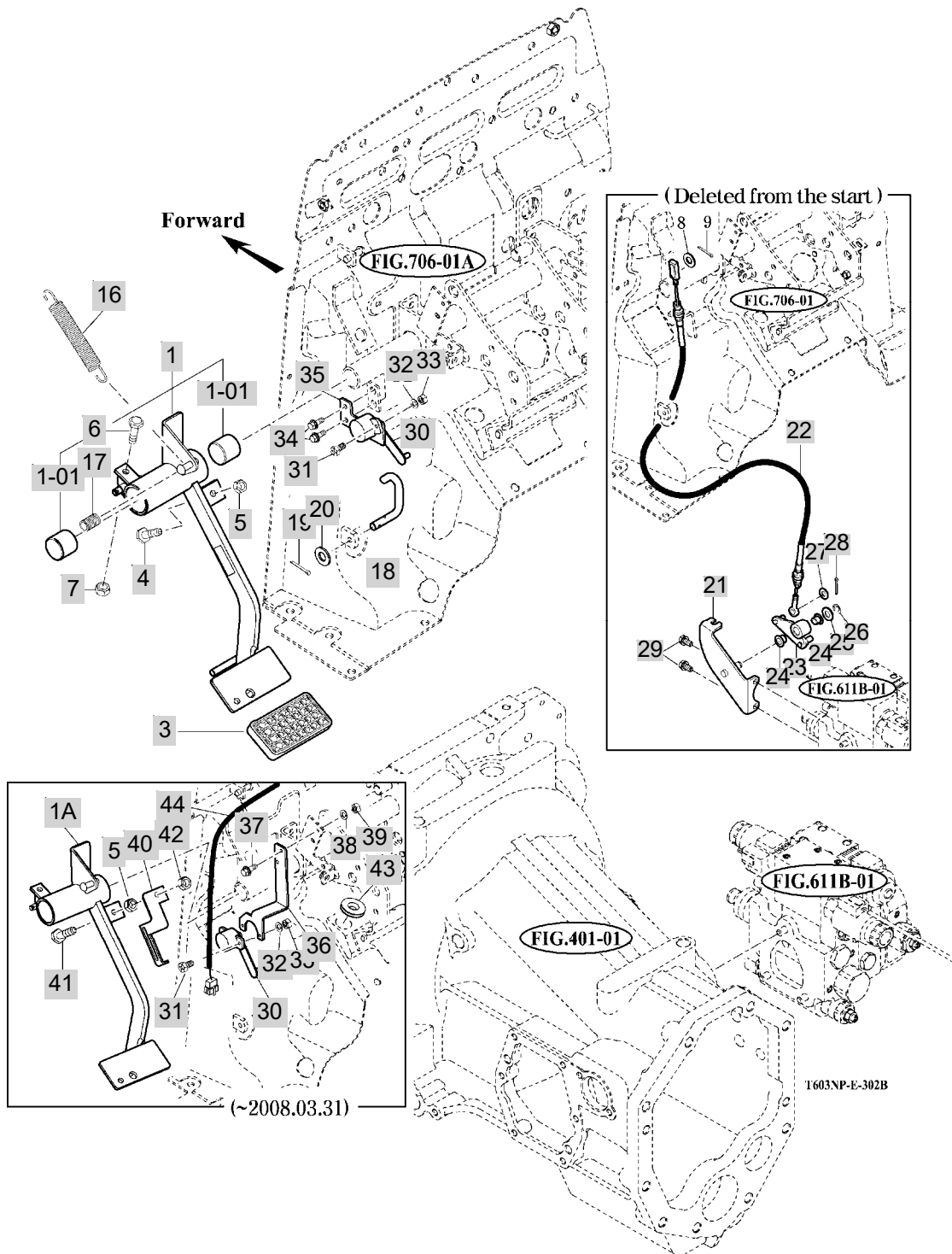
FIG 302B

CLUTCH PEDAL

년/월  
Year/Month

T603SP

2020.11



NOTE

FIG 302B		CLUTCH PEDAL						년/월	
								Year/Month	
T603SP						2020.11			
KEY NO	PART NO	DESCRIPTION	SPEC	QTY	REPAIR	EFFECTIVE DATE	REMARKS		
302B	1	19861322000	PEDAL ASSY , CLUTCH	1X1X1	1				
302B	1-01	15641320020	BUSH , 30X34X20	1X1X1	2				
302B	1A	19961322000	PEDAL ASSY , CLUTCH	1X1X1	1				
302B	3	15241220010	PAD	1X1X1	1				
302B	4	V2013608030	BOLT , HEX	M8X30	1		20081201		
302B	5	V2183608020	BOLT , HEX/SP	M8X20	0		20090623		
302B	6	V2013608020	BOLT , HEX	M8X20	1		20081001		
302B	7	V2183608020	BOLT , HEX/SP	M8X20	0		20090623		
302B	8	V4111600080	WASHER , PLAIN	M8	0		20090223		
302B	9	39081700200	PIN , SNAP/8	D=1.6	2		20080307		
302B	16	19841200080	RETURN SPRING , CLUTCH	1X1X1	1		20080401		
302B	17	15601320011	TUBE , CORRUGATE 015	7	1				
302B	18	15441230050	ROD	D=5.25 5.3	1				
302B	19	V5001920020	PIN , SPLIT	2X20	0		20080401		
302B	20	V4111600060	WASHER , PLAIN	M6	0		20081201		
302B	21	19961322901	BRACKET , CABLE	1X1X1	0		20080401		
302B	22	19841320280	CABLE , INCHING	1X1X1	0		20080401		
302B	23	19961323001	ARM , INCHING	1X1X1	0		20080401		
302B	24	15645120010	BUSH , 10X18X10	80F-1010	0		20110113		
302B	25	35602010180	WASHER , BIND SHAFT	T=2.3	1		20120105		
302B	26	V7081400080	E-RING	8	0		20080401		
302B	27	V4111600080	WASHER , PLAIN	M8	0		20090223		
302B	28	V5001920020	PIN , SPLIT	2X20	0		20080401		
302B	29	V2173608016	BOLT , HEX/S	M8X16	1		20120501		
302B	30	19846300020	POTENTIOMETER ASSY	1X1X1	1		20080401		
302B	31	V2053604012	BOLT , HEX C/R	M4X12	2		20081201		
302B	32	V4011600040	WASHER , SPRING	M4	2		20081201		
302B	33	V3002600040	NUT , HEX/1	M4	2		20080401		
302B	34	V2123606020	BOLT , HEX /SP	M6X20	2		20080401		
302B	35	19846683510	PLATE , POTENTIOMETER		1		20080401		
302B	36	19846683530	PLATE , POTENTIOMETER		1				
302B	37	V2053605012	BOLT , HEX C/R	M5X12	2		20120426		
302B	38	V4011600050	WASHER , SPRING	M5	0		20081024		
302B	39	V3002600050	NUT , HEX/1	M5	0		20081024		
302B	40	19846683520	PLATE GUIDE , POTENTIOMETER		1				
302B	41	V2013608040	BOLT , HEX	M8X40	1				
302B	42	V3802600080	NUT , HEX FLANGE	M8	1		20120501		
302B	43	13016400010	SEAL , BATTERY BRACKET	T=0.25	1		20111130		
302B	44	19846683540	HARNESS (MAIN) LEADWIRE		1				
NOTE									

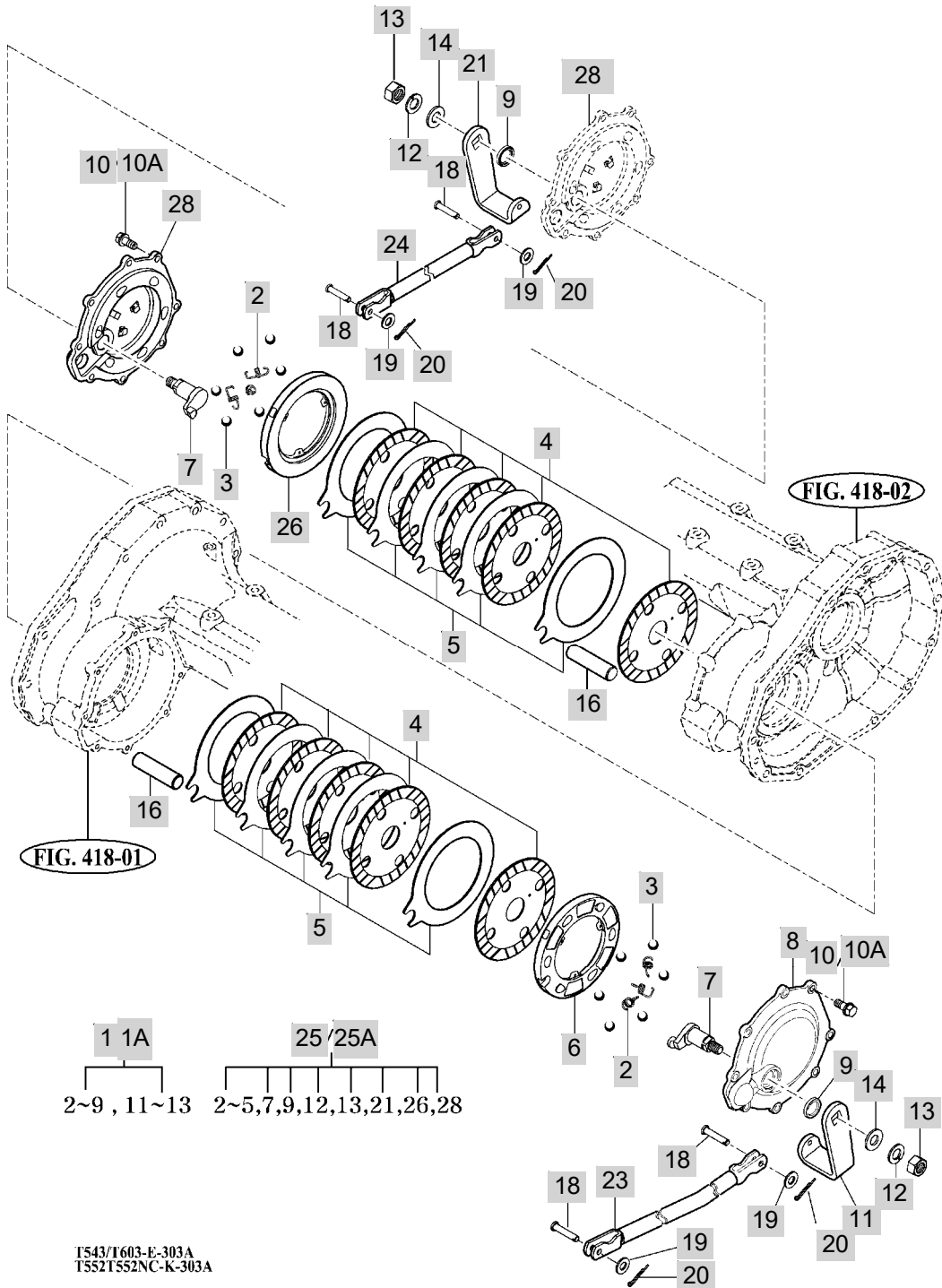
FIG 303

BRAKE

년/월  
Year/Month

T603SP

2020.11



NOTE



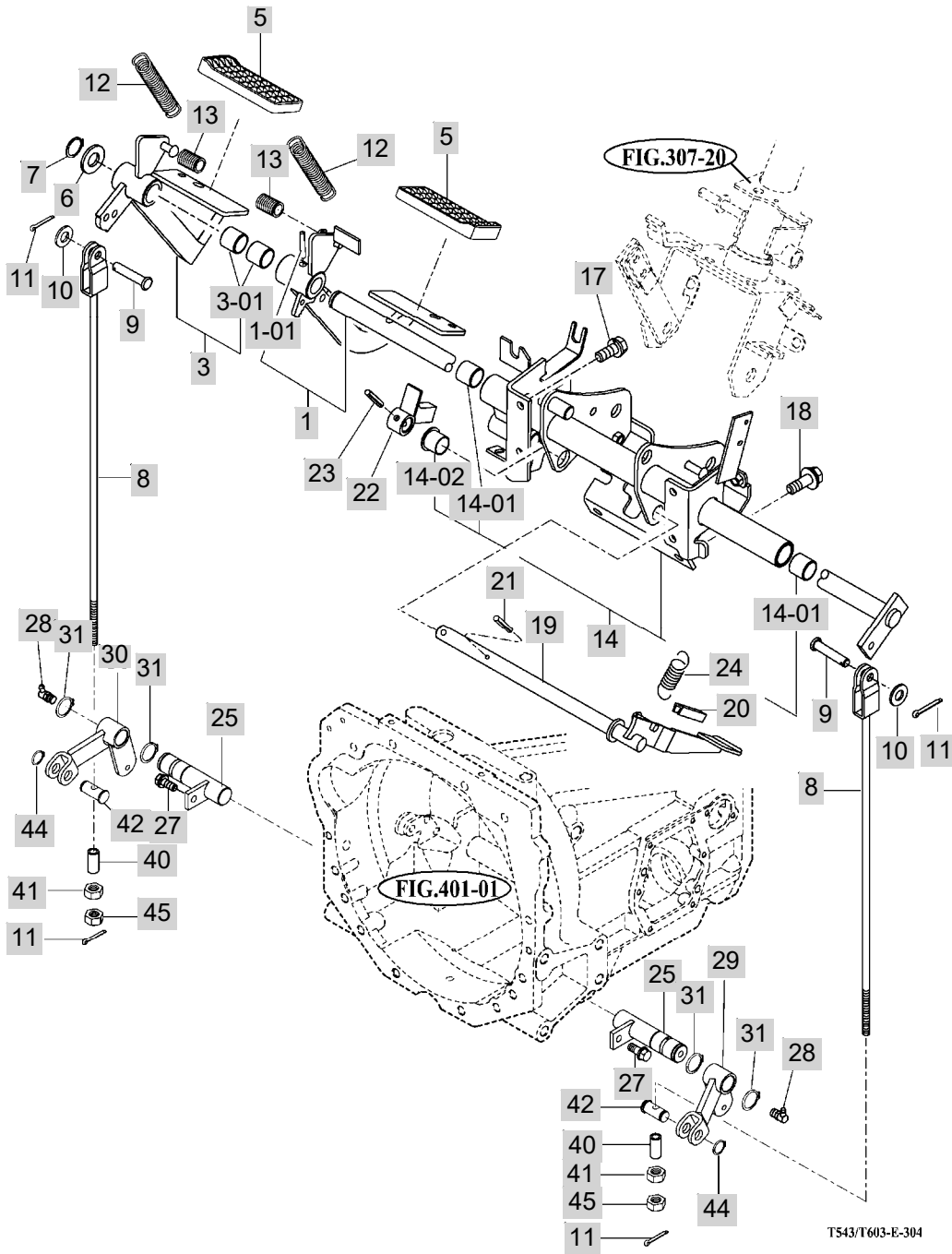
FIG 304

T603SP

BRAKE PEDAL & LINKAGE

년/월  
Year/Month

2020.11



T543/T603-E-304

NOTE



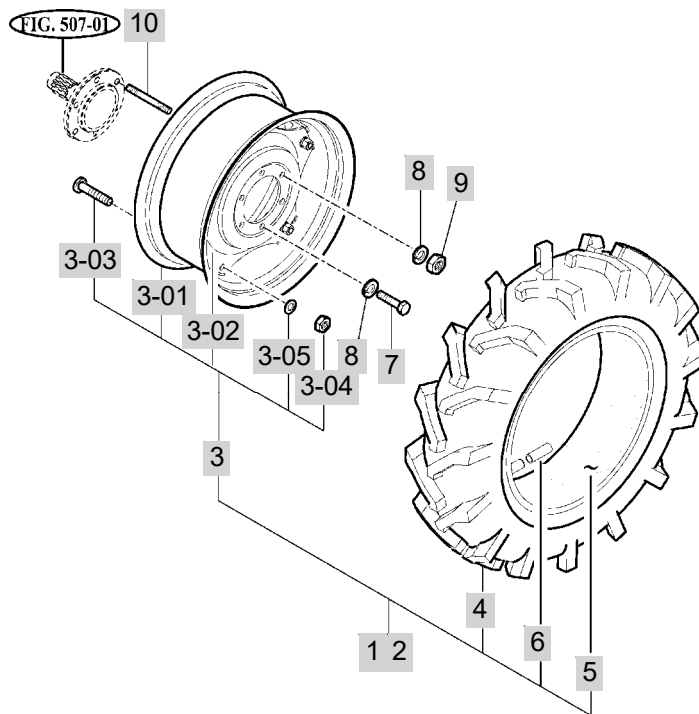
FIG 305A

FRONT WHEEL

년/월  
Year/Month

2020.11

T603SP



T603-E-305A

NOTE





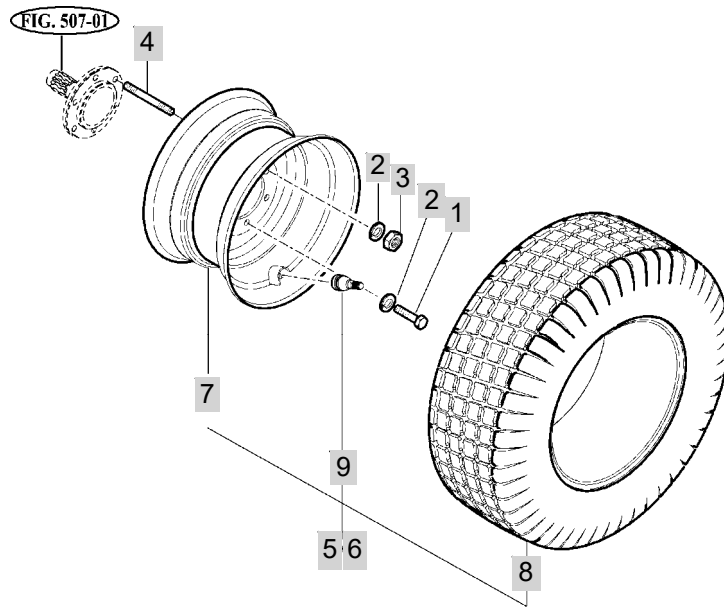
FIG 305B

T603SP

FRONT WHEEL-R3

년/월  
Year/Month

2020.11



T543/T603-E-305A

NOTE



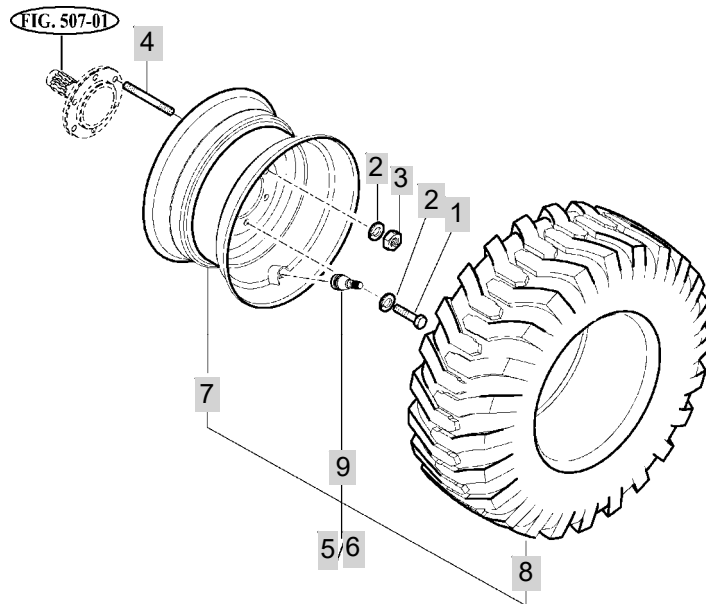
FIG 305C

T603SP

FRONT WHEEL-R4

년/월  
Year/Month

2020.11



T543/T603-E-305B

NOTE



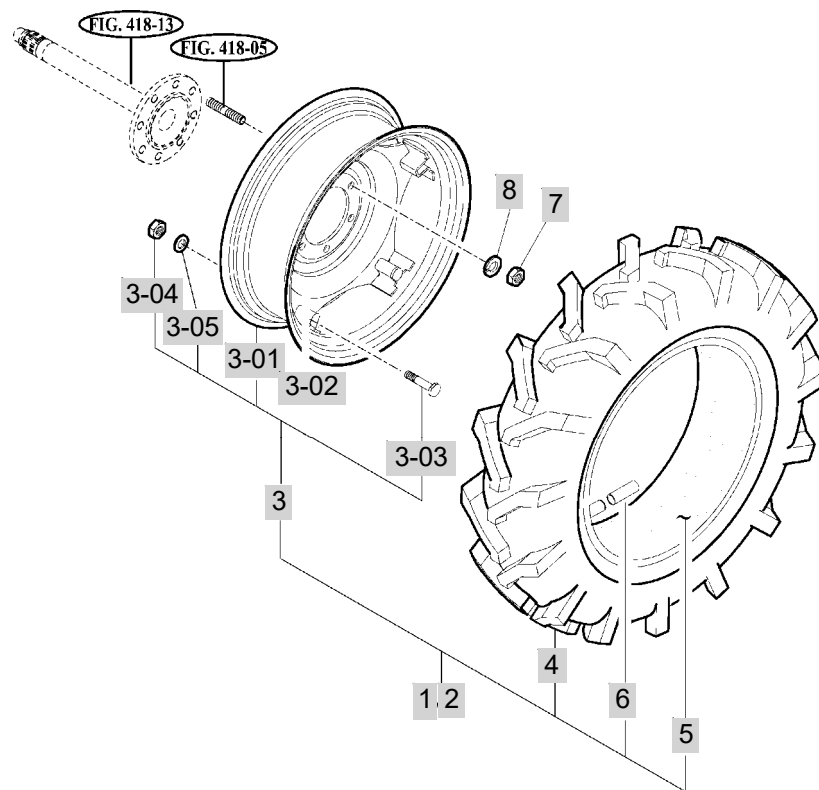
FIG 306A

T603SP

REAR WHEEL

년/월  
Year/Month

2020.11



354/T603/T603NC-E-306C

NOTE



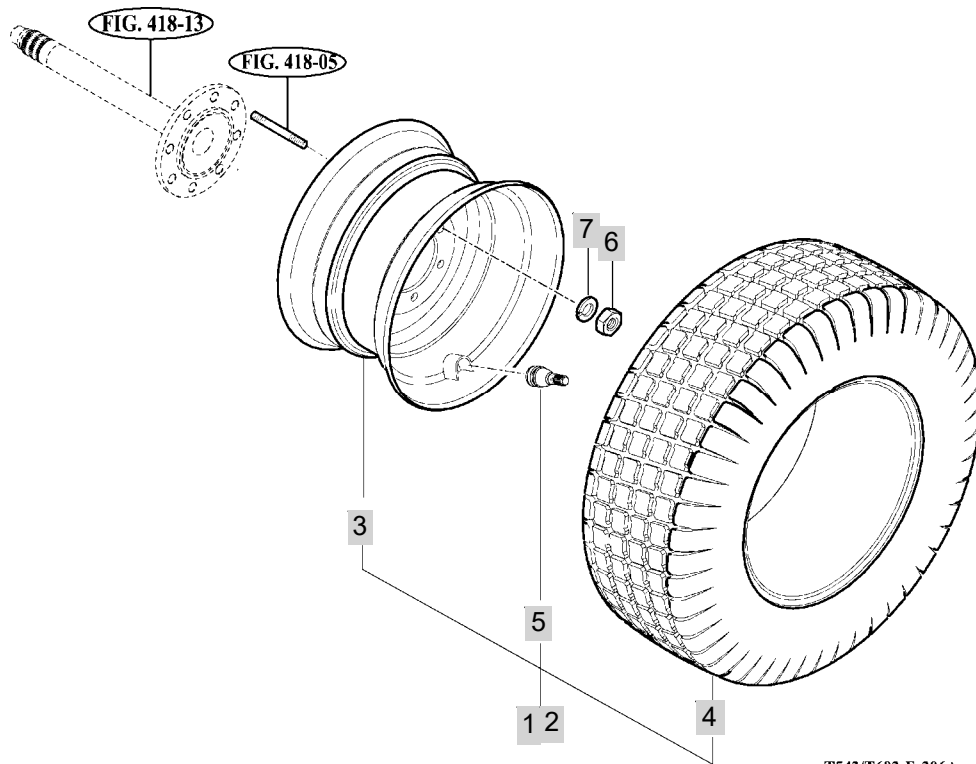
FIG 306B

REAR WHEEL-R3

년/월  
Year/Month

T603SP

2020.11



T543/T603-E-306A

NOTE





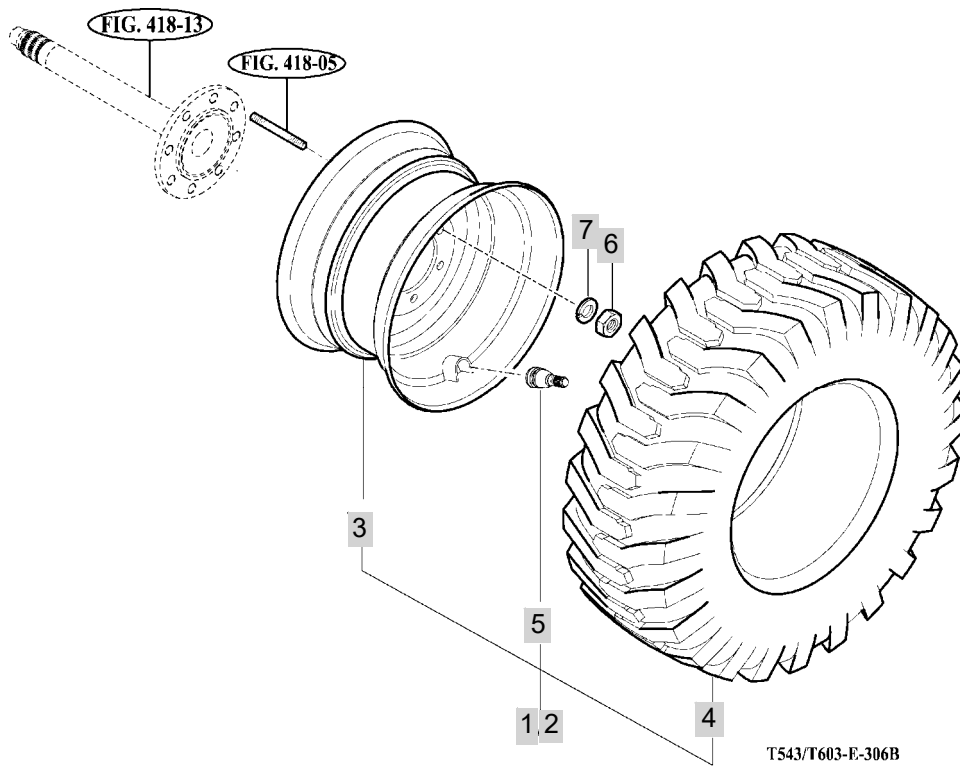
FIG 306C

REAR WHEEL-R4

년/월  
Year/Month

T603SP

2020.11



T543/T603-E-306B

NOTE



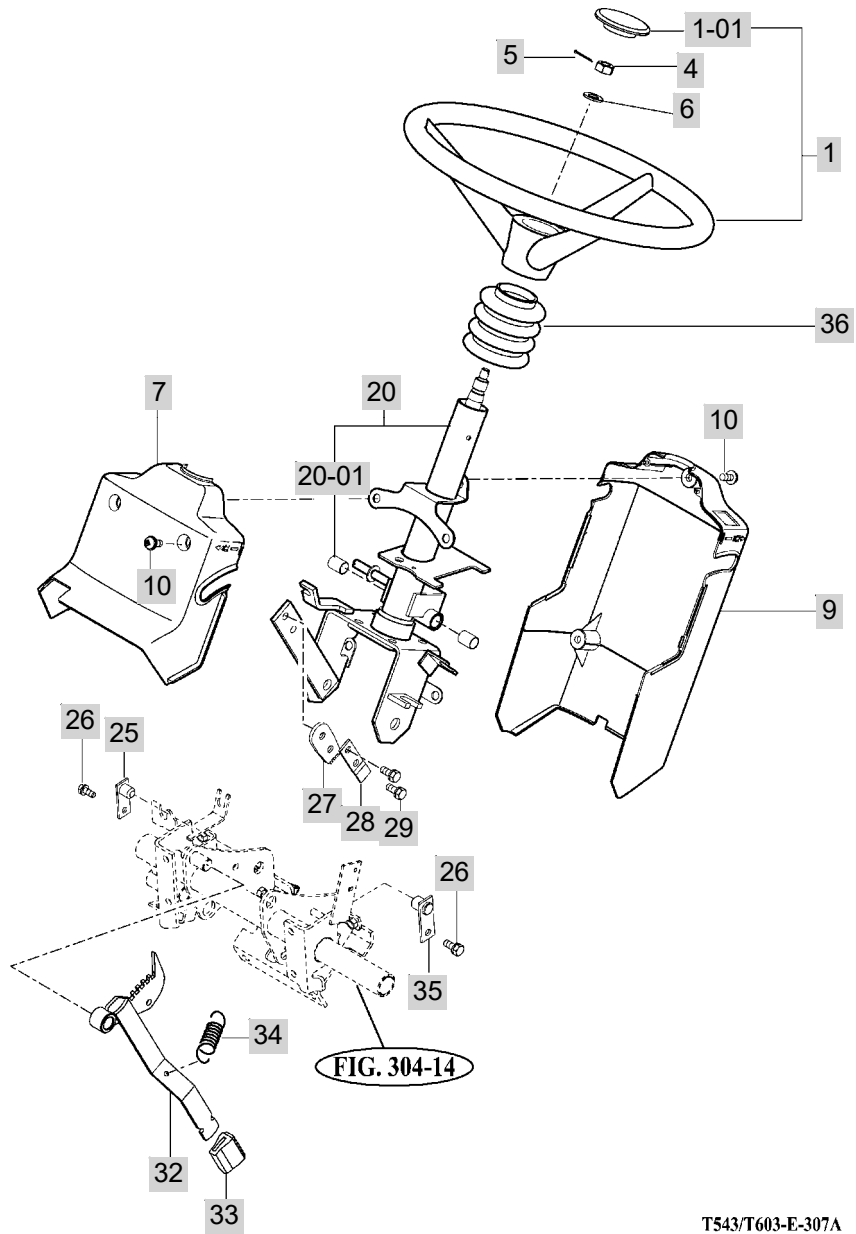
FIG 307

T603SP

POWER STEERING WHEEL

년/월  
Year/Month

2020.11



T543/T603-E-307A

NOTE



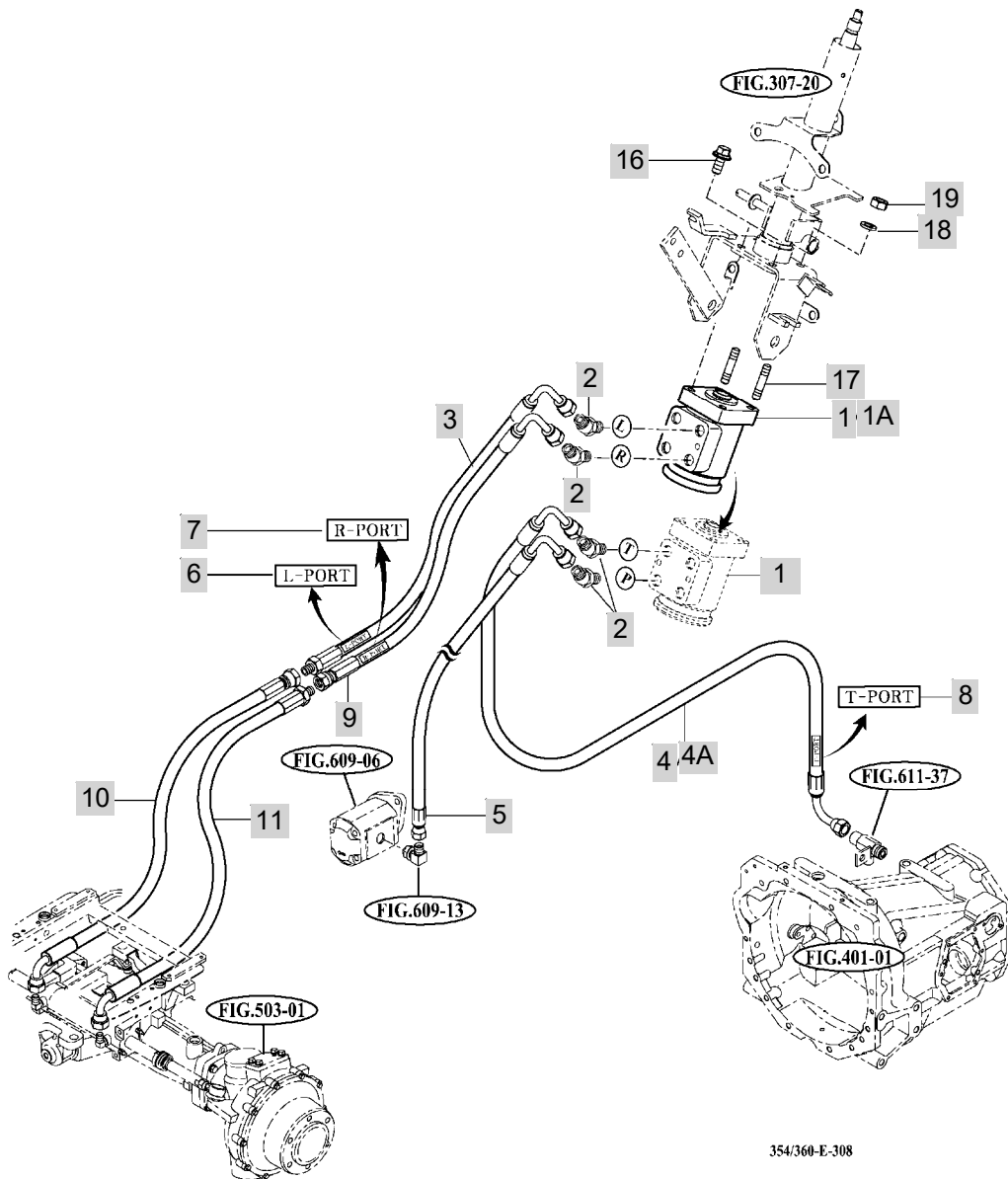
FIG 308

T603SP

POWER STEERING VALVE

년/월  
Year/Month

2020.11



354/360-E-308

NOTE



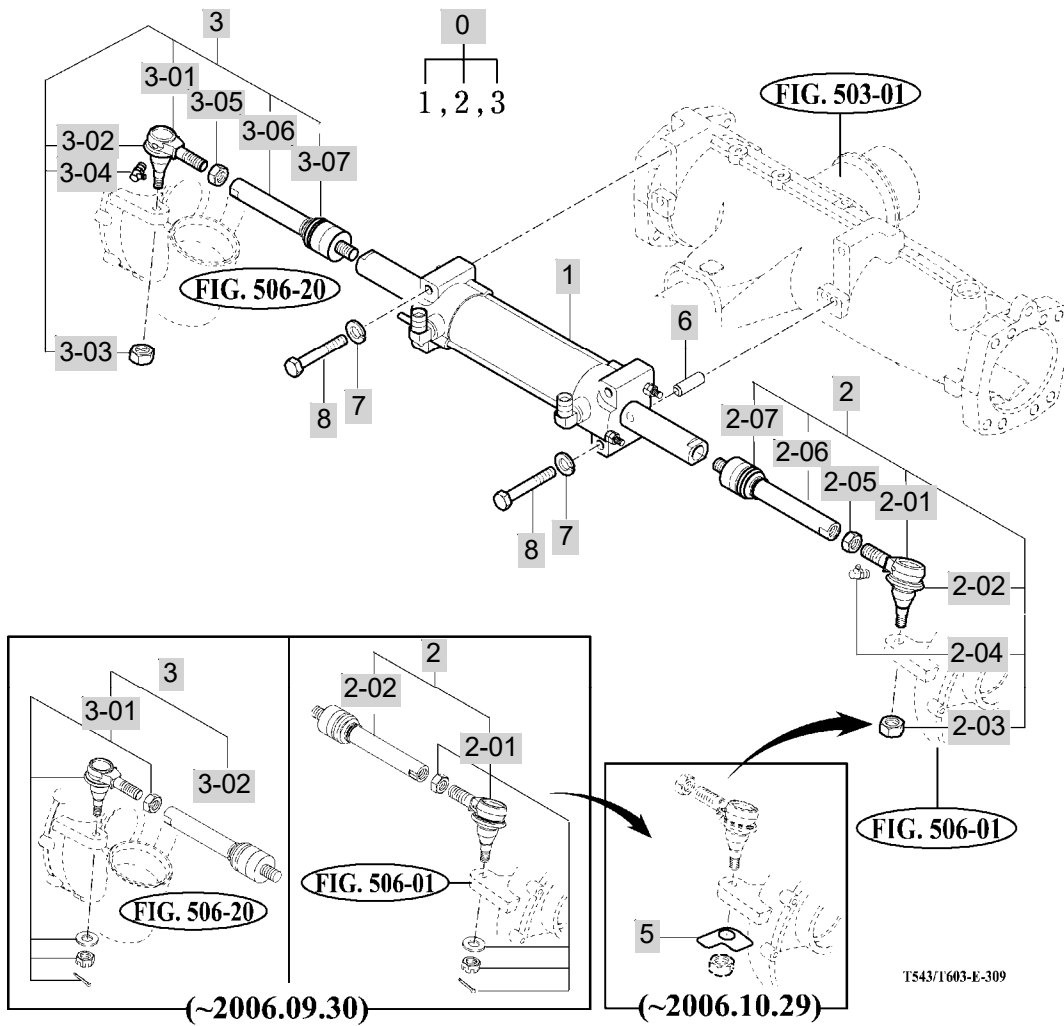
FIG 309

POWER STEERING CYLINDER

년/월  
Year/Month

2020.11

T603SP



NOTE





#### 4. TRANSMISSION & REAR AXLE PART NO. 16U3SP-E-C4

FIG 401 TRANSMISSION FRONT CASE	178
FIG 402B INPUT & COUNTER GEARS	180
FIG 403 MAIN CHANGE GEARS	182
FIG 404B REVERSE GEARS	184
FIG 405 P.T.O DRIVE SHAFT	186
FIG 406 MAIN CHANGE LEVER	188
FIG 407B REVERSE CHANGE SWITCH	190
FIG 408 TRANSMISSION MID CASE	192
FIG 409 TRANSMISSION REAR CASE	194
FIG 410 SUB CHANGE GEARS	196
FIG 411 SUB CHANGE SHIFTER	198
FIG 412 CREEP CHANGE	200
FIG 413B DRIVE GEARS	202
FIG 414B 4WD METAL ASSY	204
FIG 415 P.T.O CHANGE GEARS	206
FIG 416 P.T.O CHANGE SHIFTER	208
FIG 417 P.T.O CHANGE SHIFTER	210
FIG 418 REAR AXLE HOUSING	213

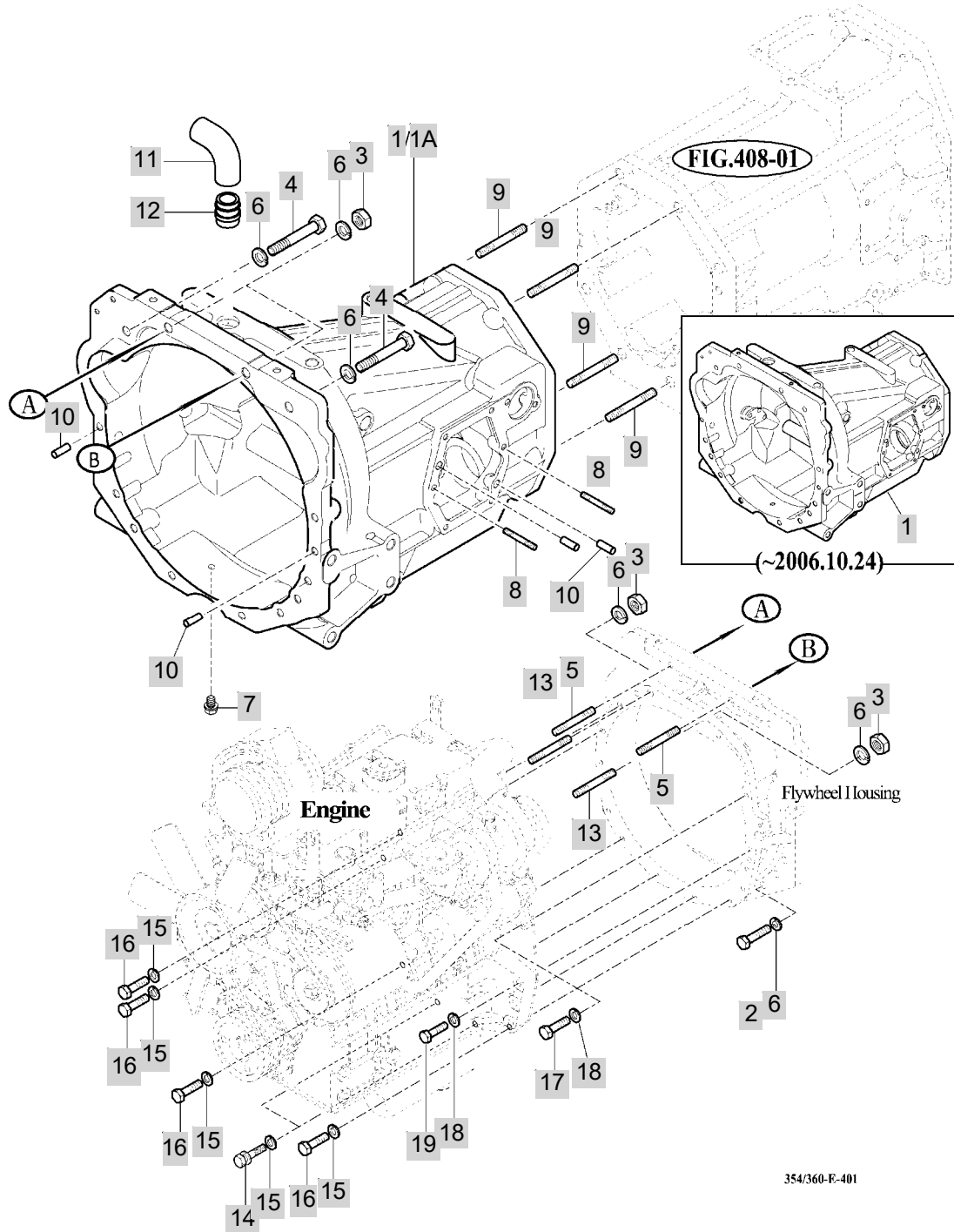
FIG 401

T603SP

TRANSMISSION FRONT CASE

년/월  
Year/Month

2020.11



NOTE



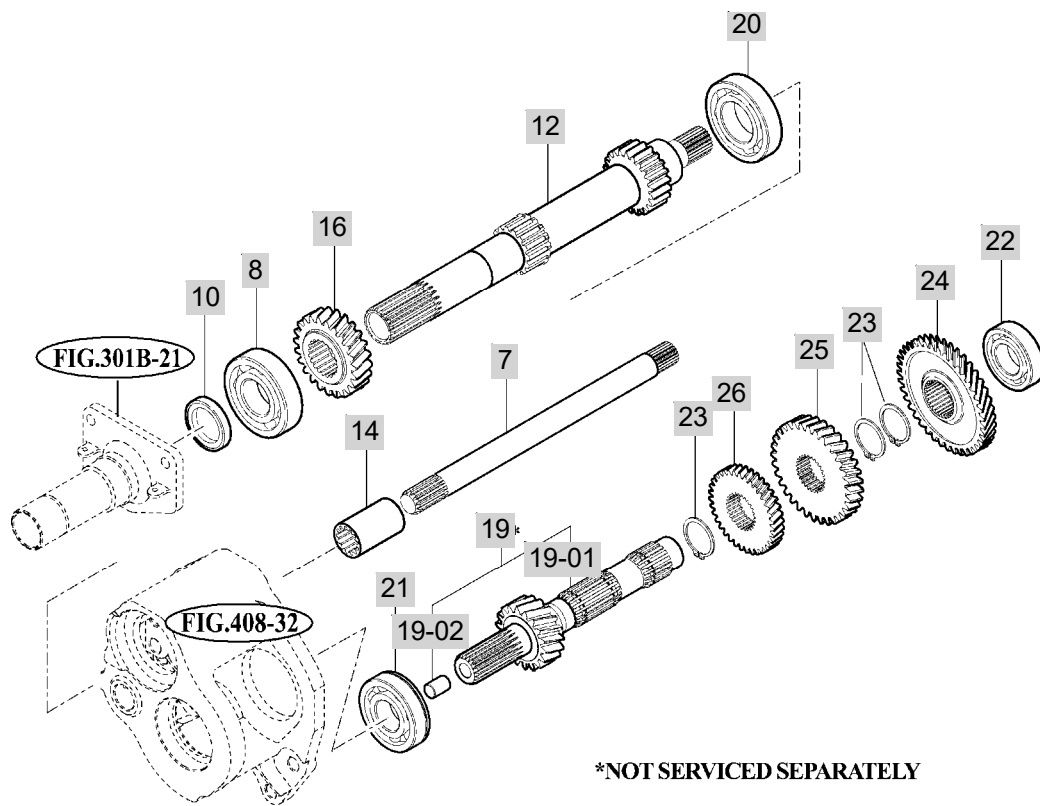
FIG 402B

T603SP

INPUT & COUNTER GEARS

년/월  
Year/Month

2020.11



**\*NOT SERVICED SEPARATELY**

360-E-402B

NOTE



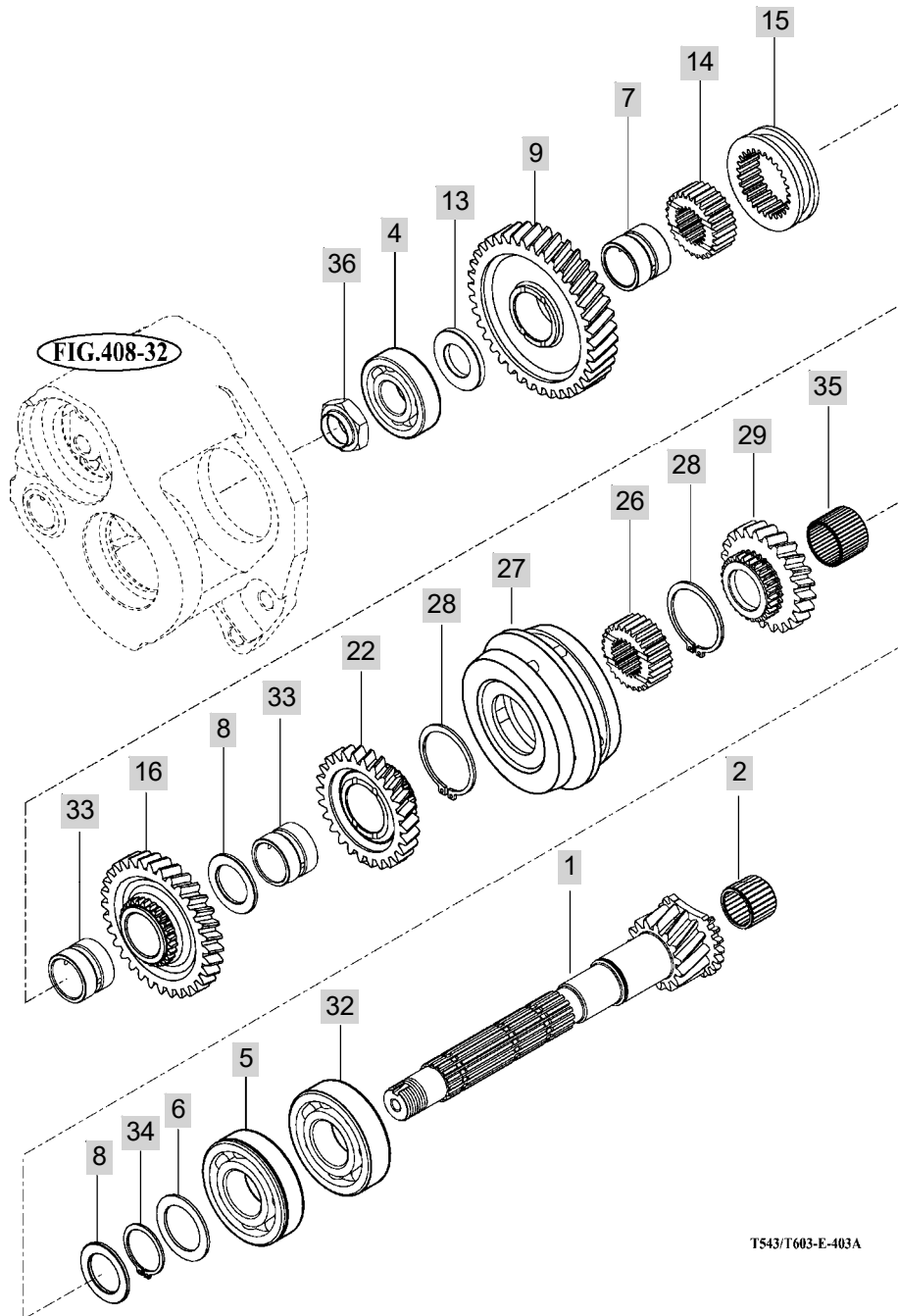
FIG 403

MAIN CHANGE GEARS

년/월  
Year/Month

2020.11

T603SP



T543/T603-E-403A

NOTE



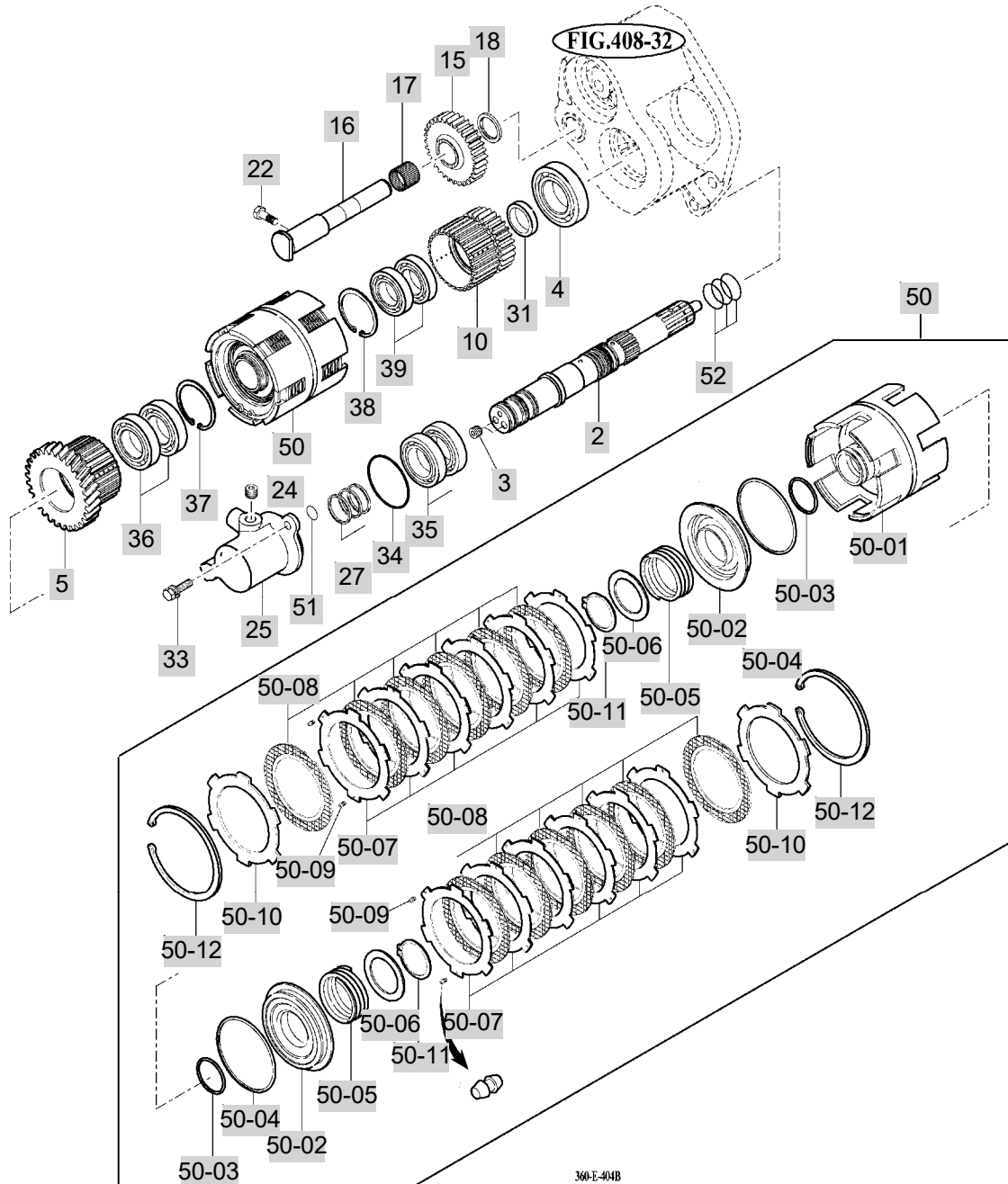
FIG 404B

REVERSE GEARS

년/월  
Year/Month

2020.11

T603SP



NOTE





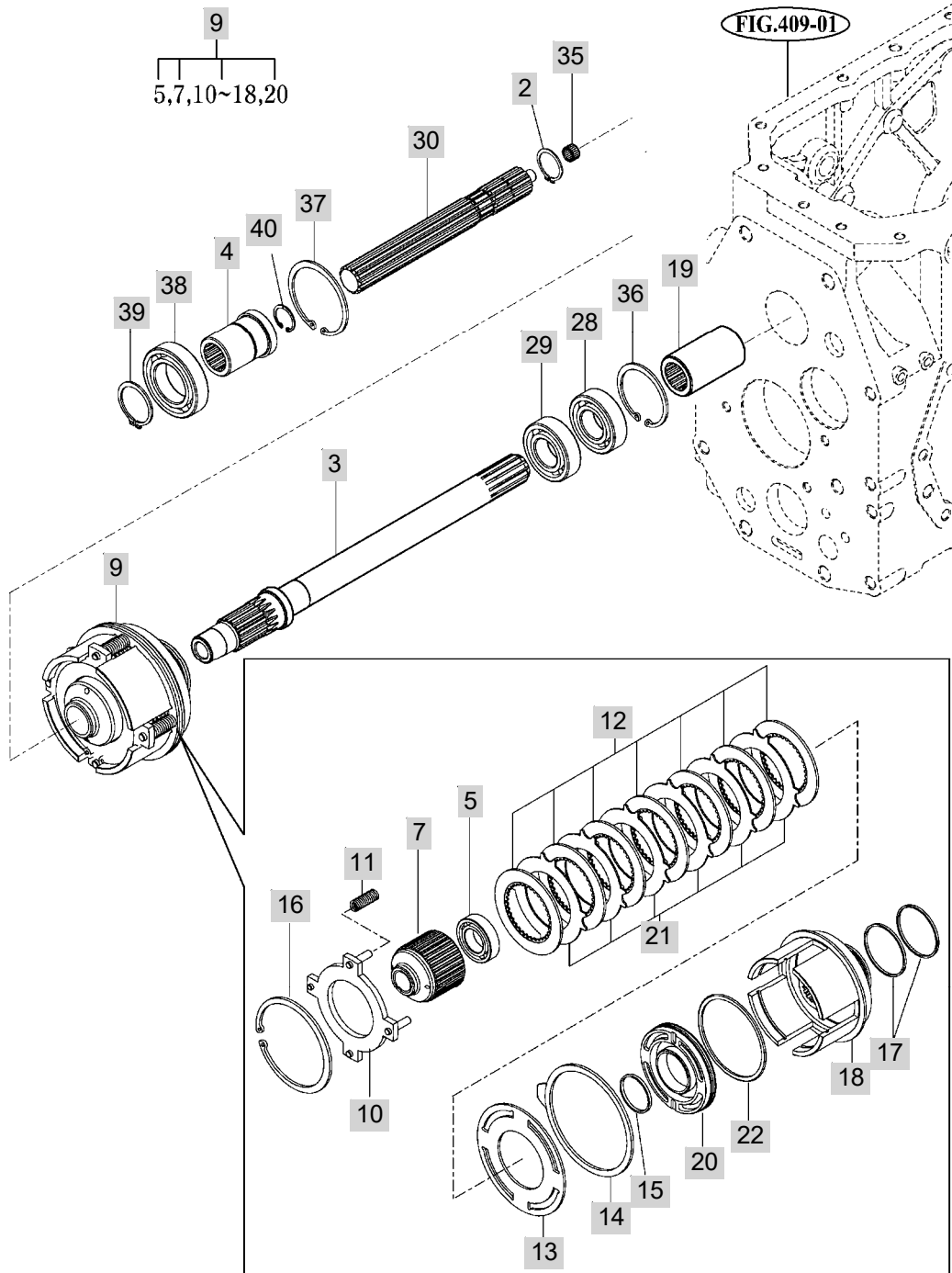
FIG 405

P.T.O DRIVE SHAFT

년/월  
Year/Month

2020.11

T603SP



T543/T603-E-405A

NOTE



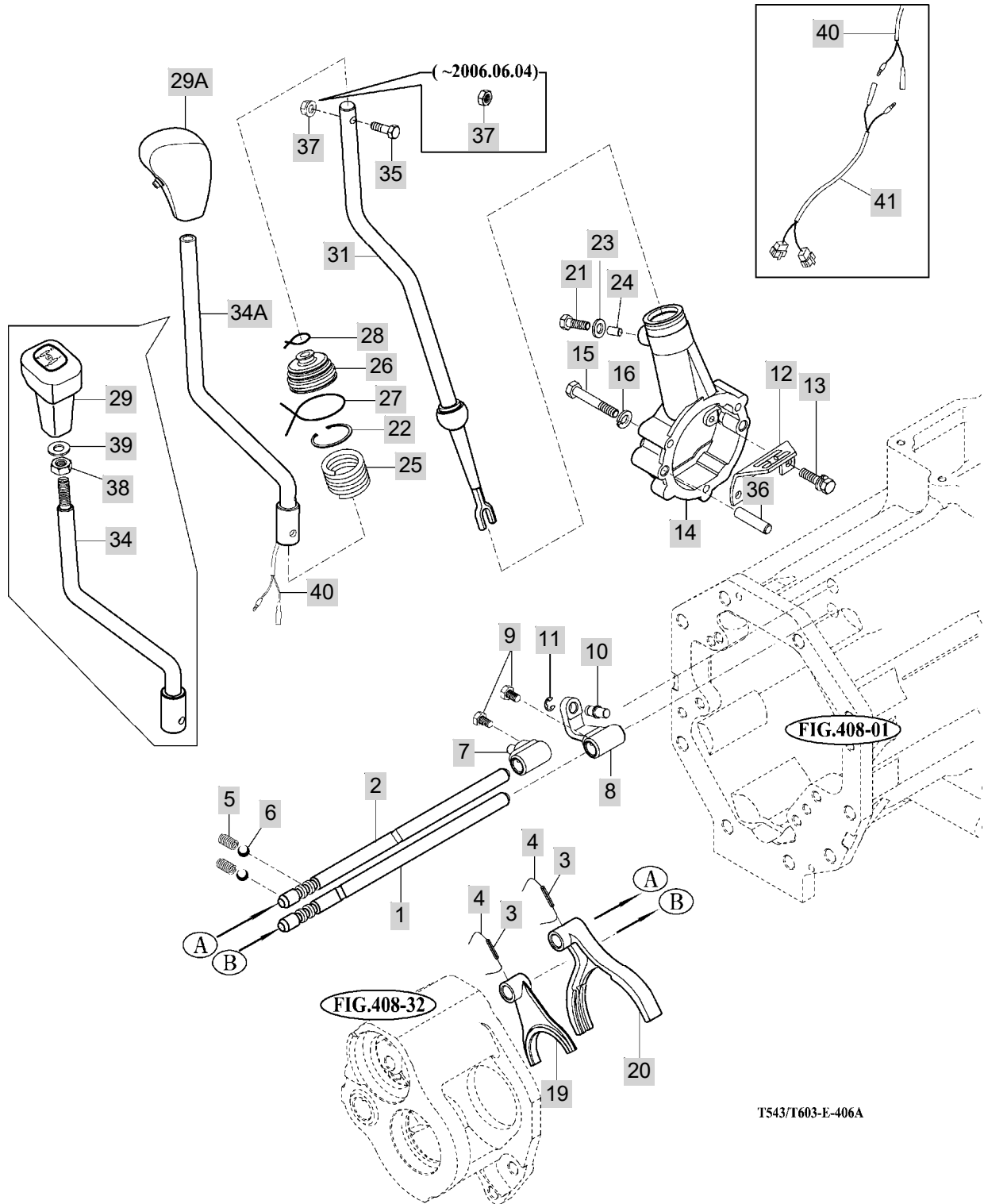
FIG 406

T603SP

MAIN CHANGE LEVER

년/월  
Year/Month

2020.11



T543/T603-E-406A

NOTE



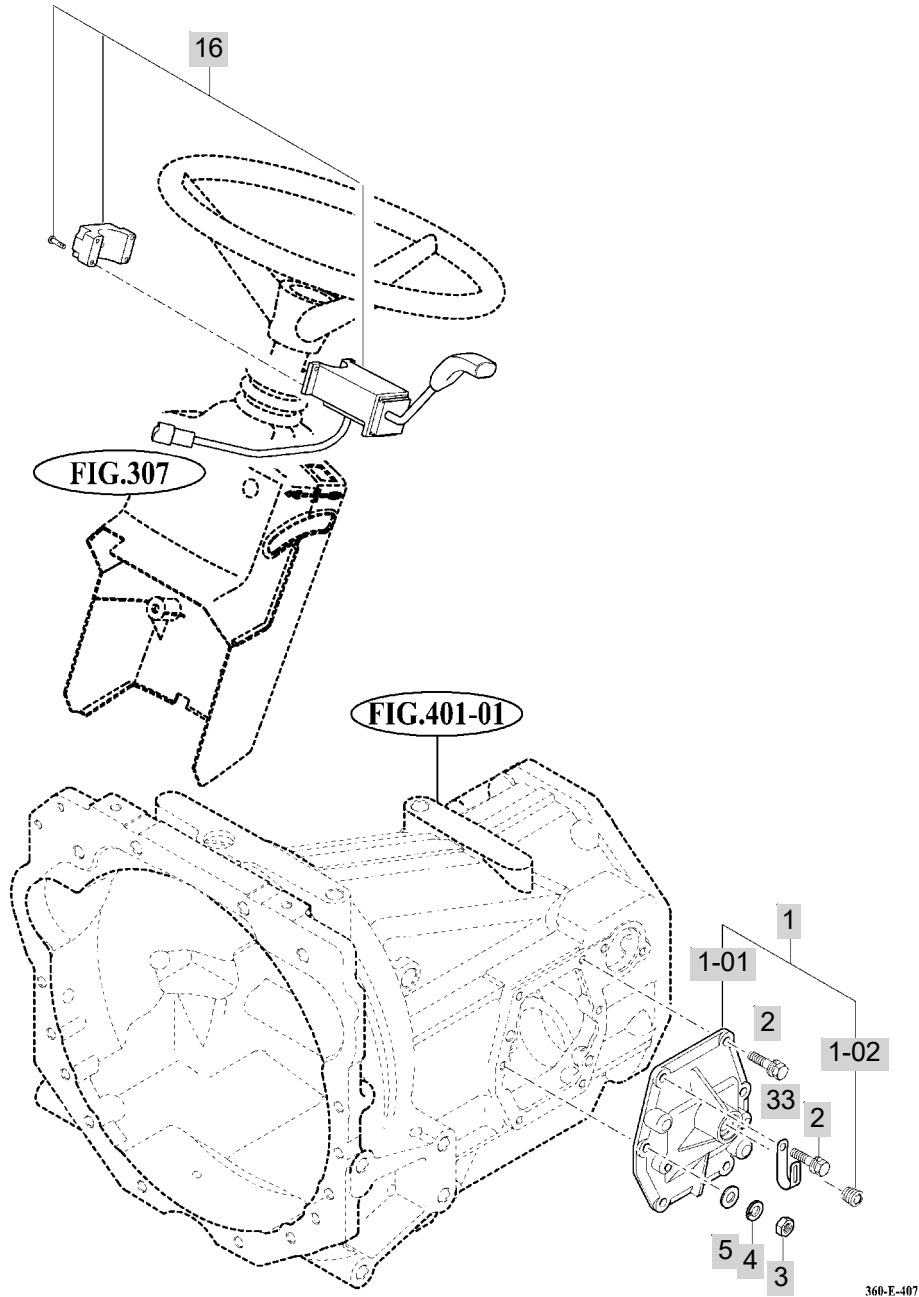
FIG 407B

T603SP

# REVERSE CHANGE SWITCH

년/월  
Year/Month

2020.11



NOTE



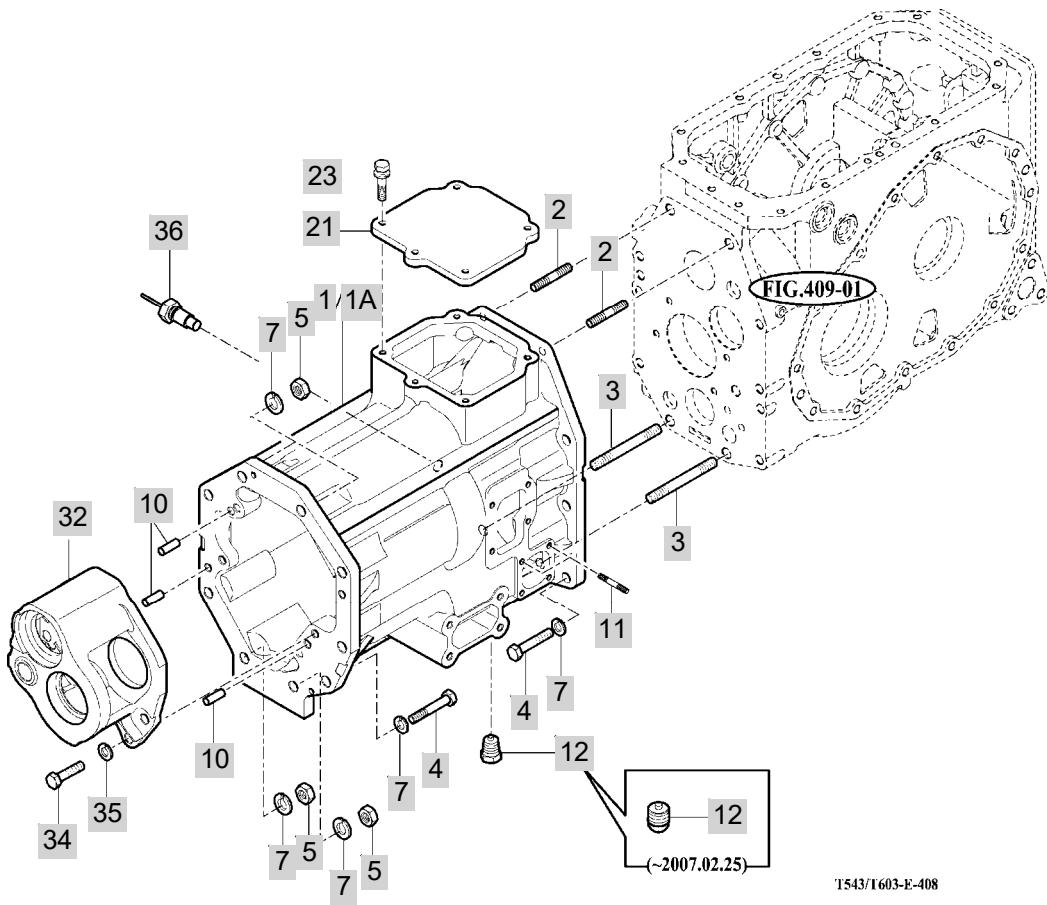
FIG 408

T603SP

TRANSMISSION MID CASE

년/월  
Year/Month

2020.11



NOTE





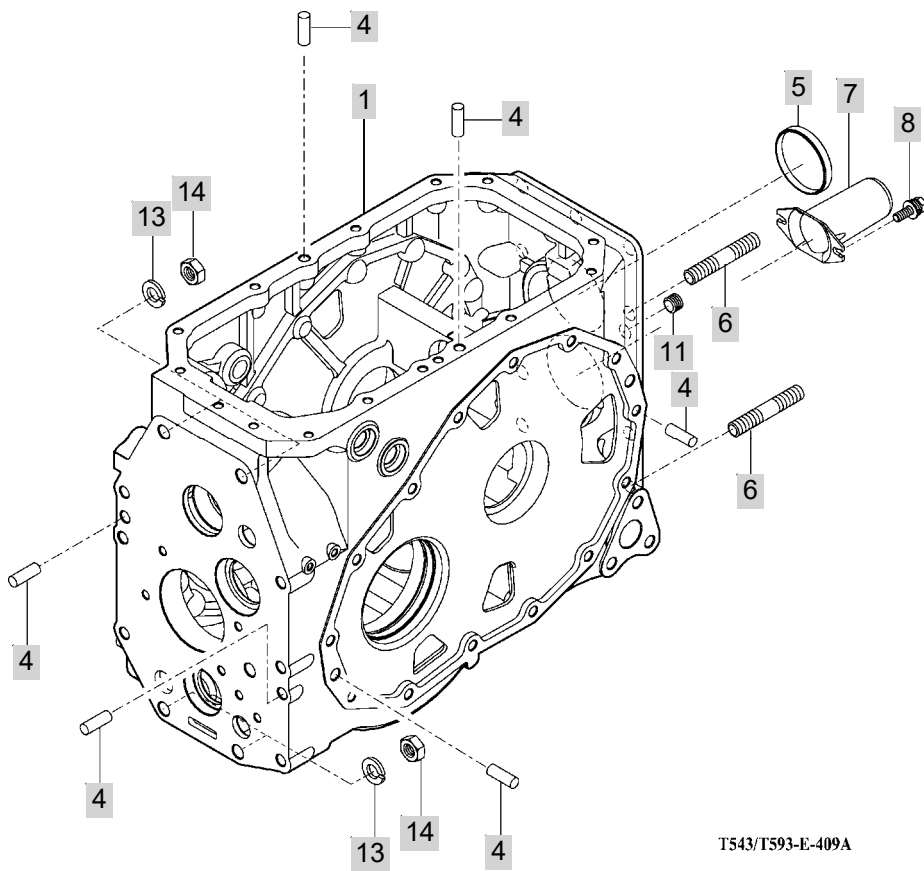
FIG 409

T603SP

TRANSMISSION REAR CASE

년/월  
Year/Month

2020.11



T543/T593-E-409A

NOTE



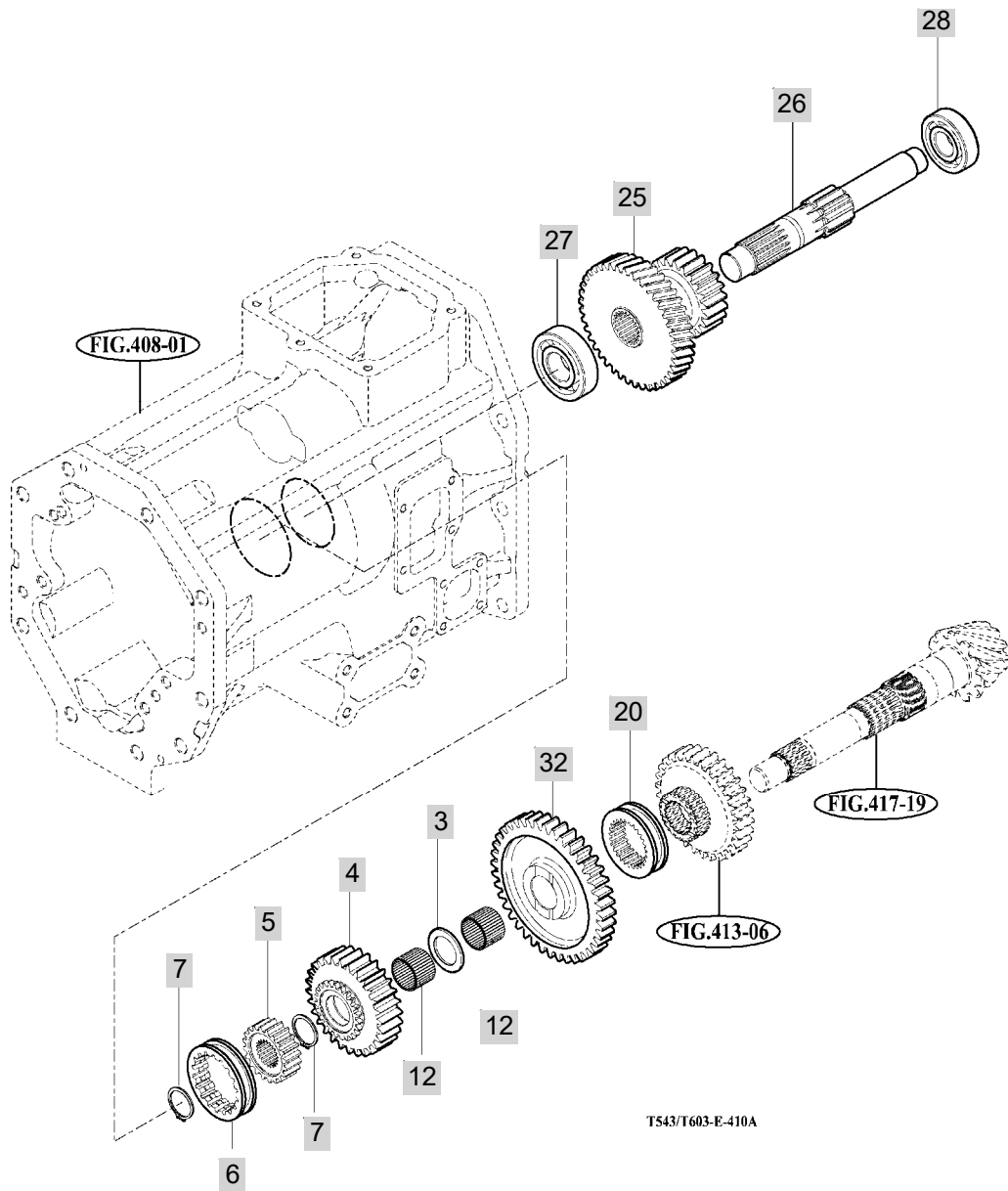
FIG 410

T603SP

SUB CHANGE GEARS

년/월  
Year/Month

2020.11



NOTE



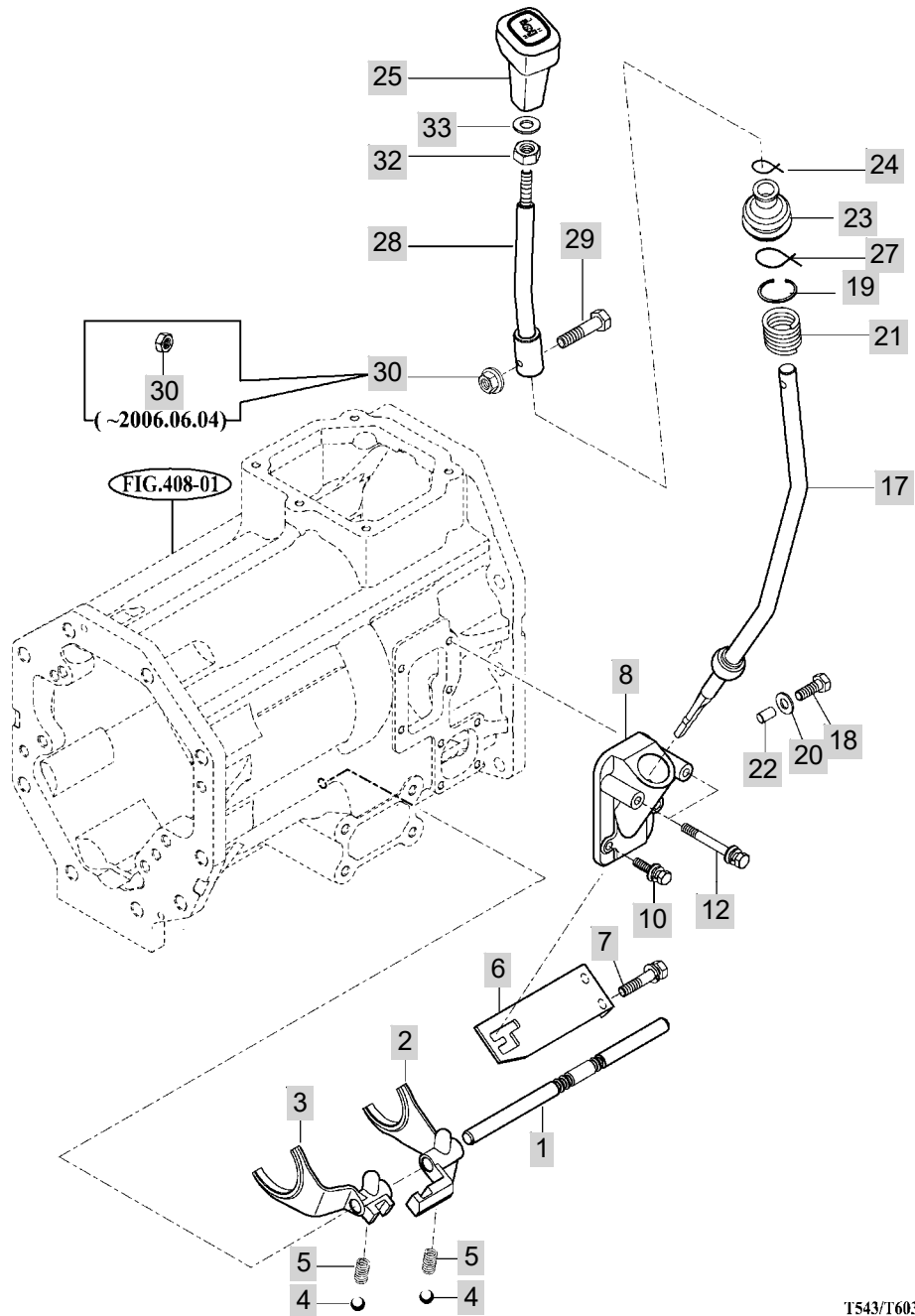
FIG 411

T603SP

SUB CHANGE SHIFTER

년/월  
Year/Month

2020.11



T543/T603-E-411A

NOTE



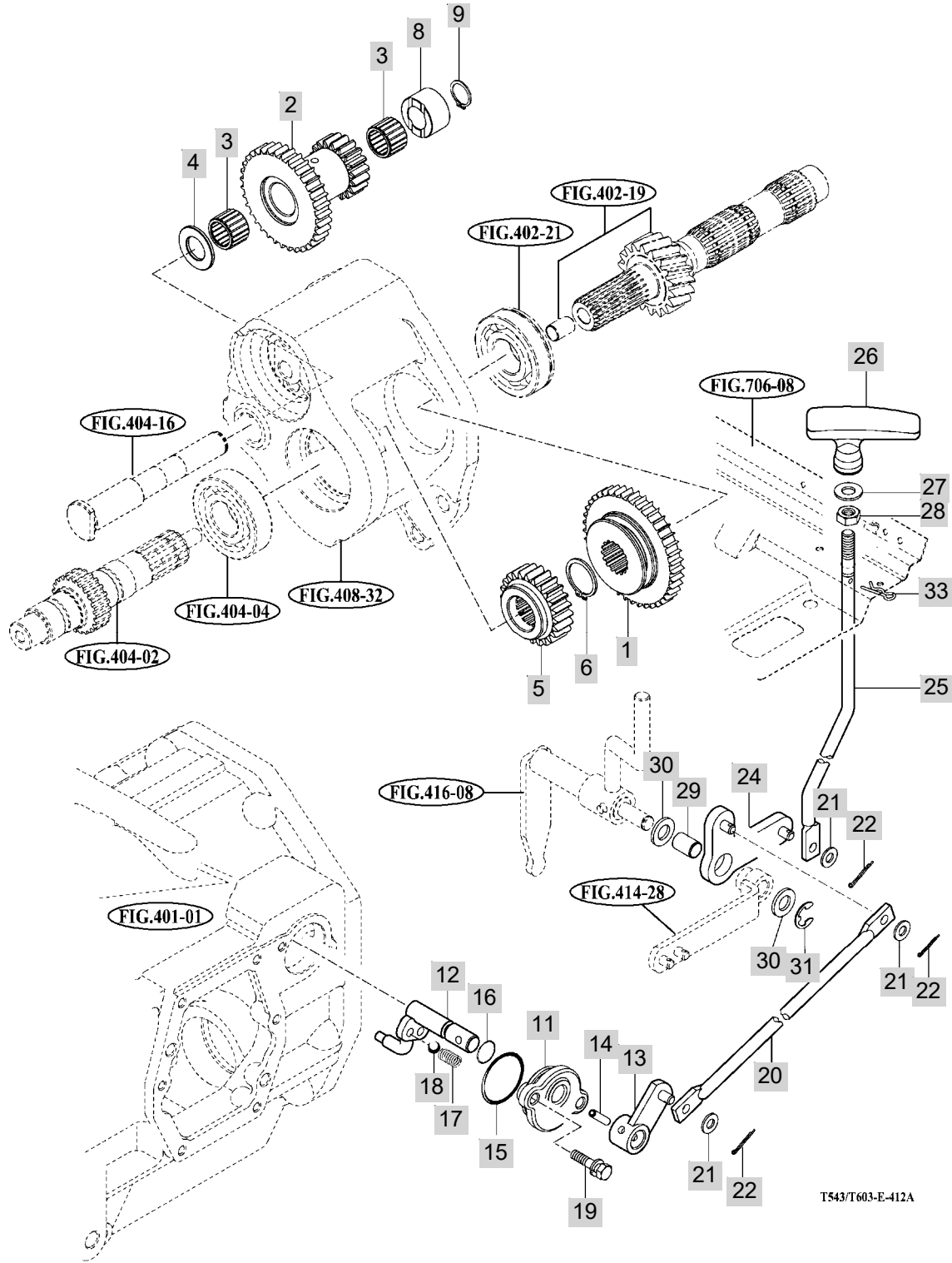
FIG 412

CREEP CHANGE

년/월  
Year/Month

T603SP

2020.11



T543/T603-E-412A

NOTE





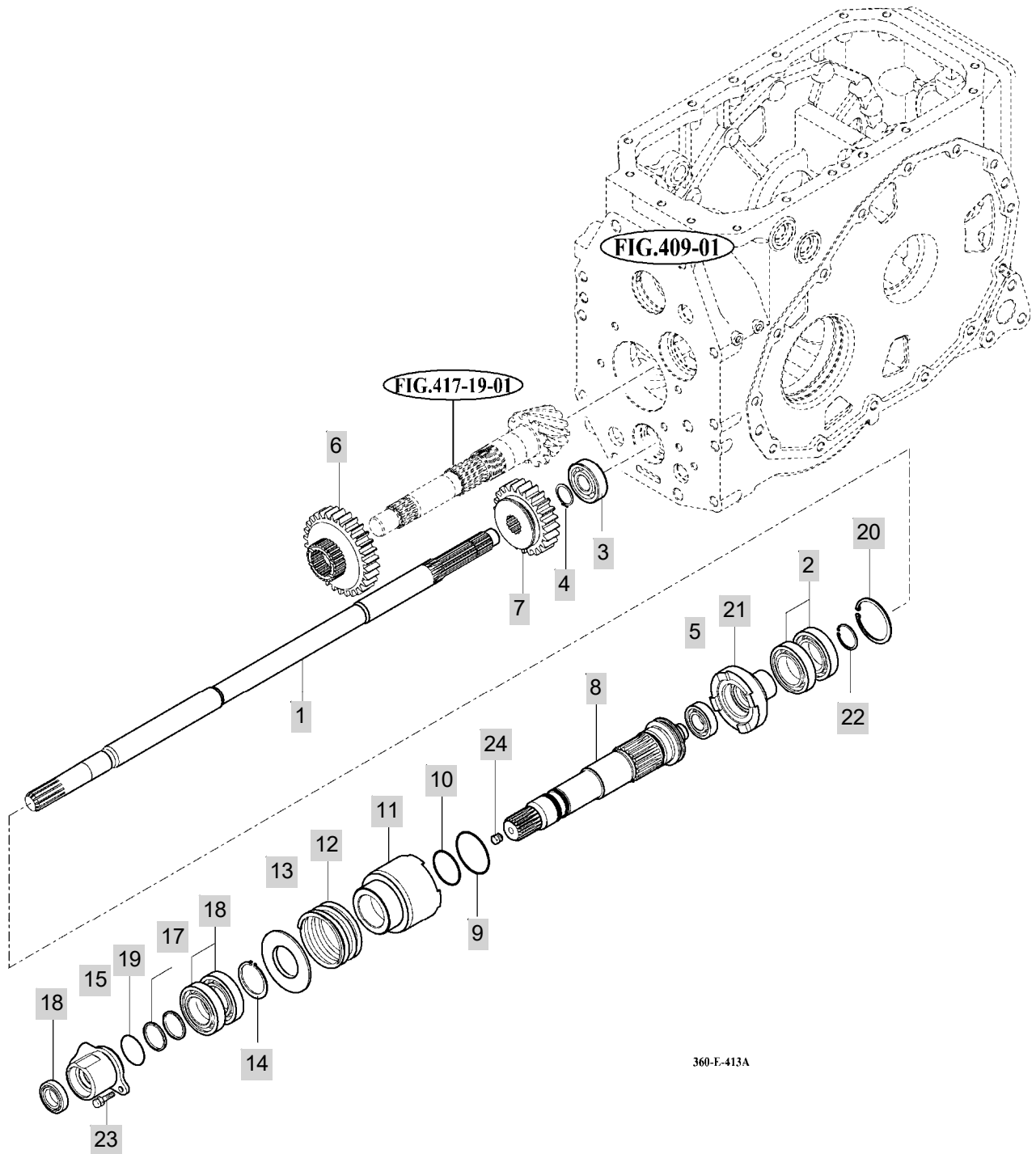
FIG 413B

DRIVE GEARS

년/월  
Year/Month

2020.11

T603SP



360-E-413A

NOTE



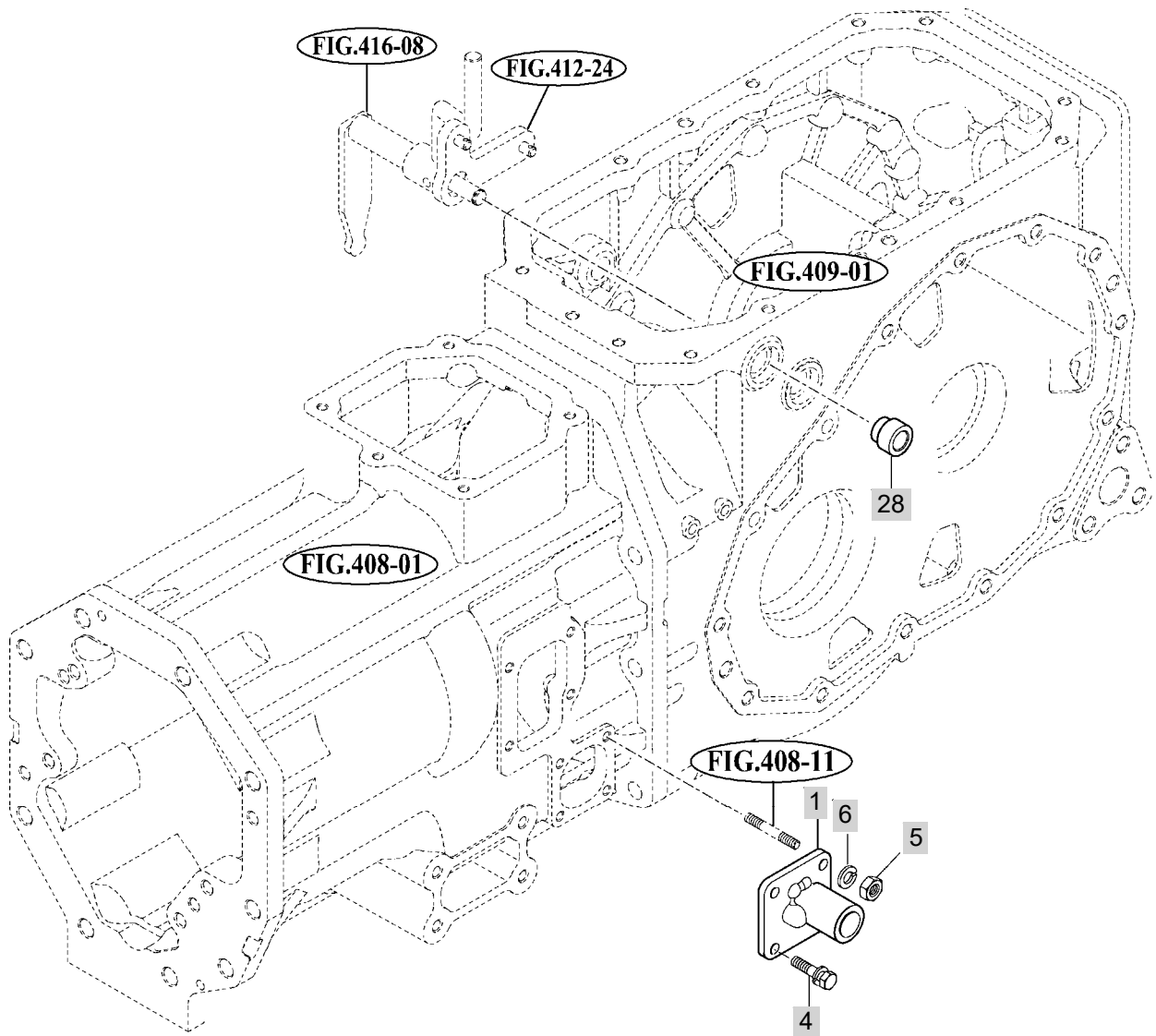
FIG 414B

4WD METAL ASSY

년/월  
Year/Month

T603SP

2020.11



360-E-414B

NOTE



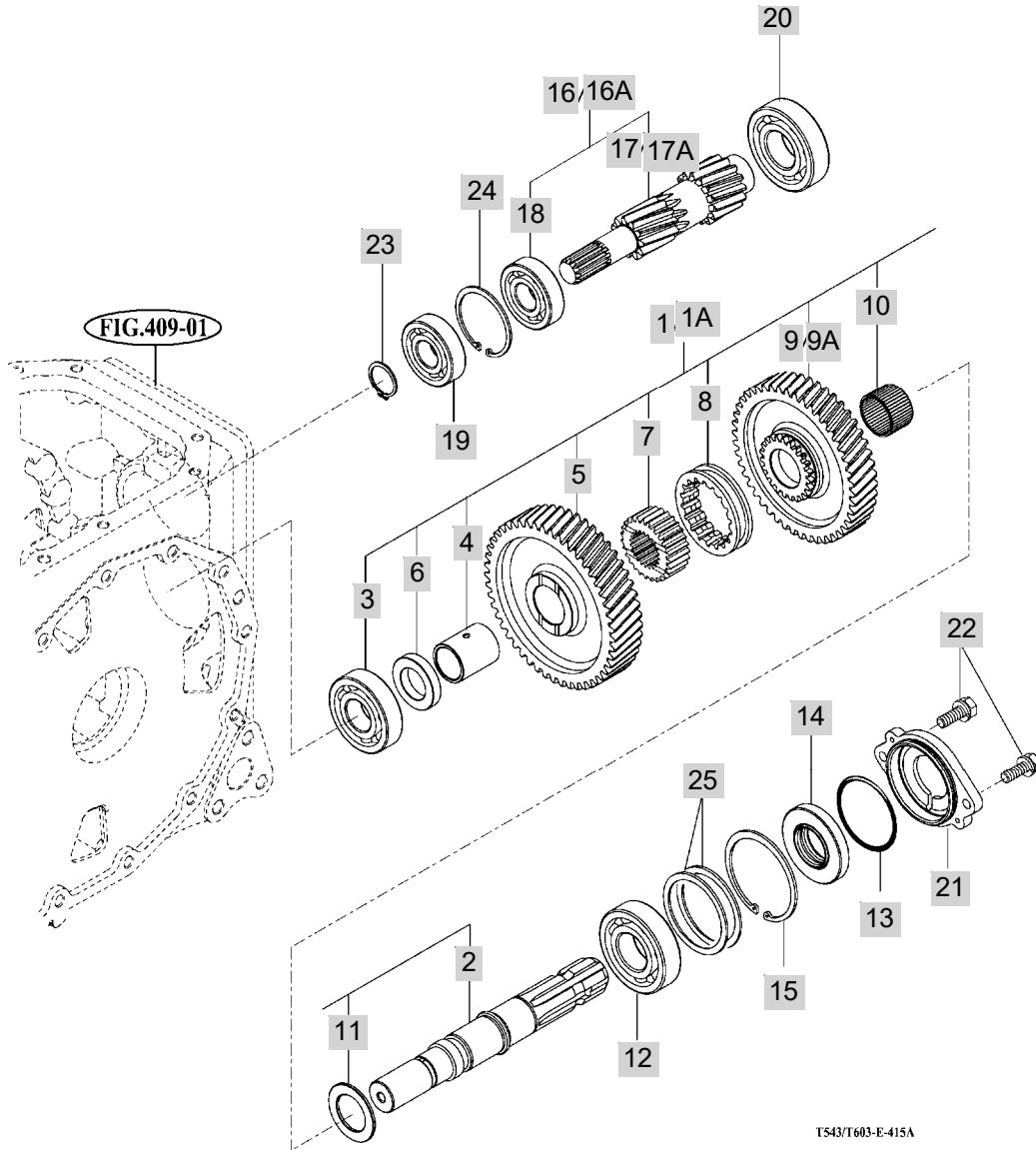
FIG 415

T603SP

P.T.O CHANGE GEARS

년/월  
Year/Month

2020.11



NOTE



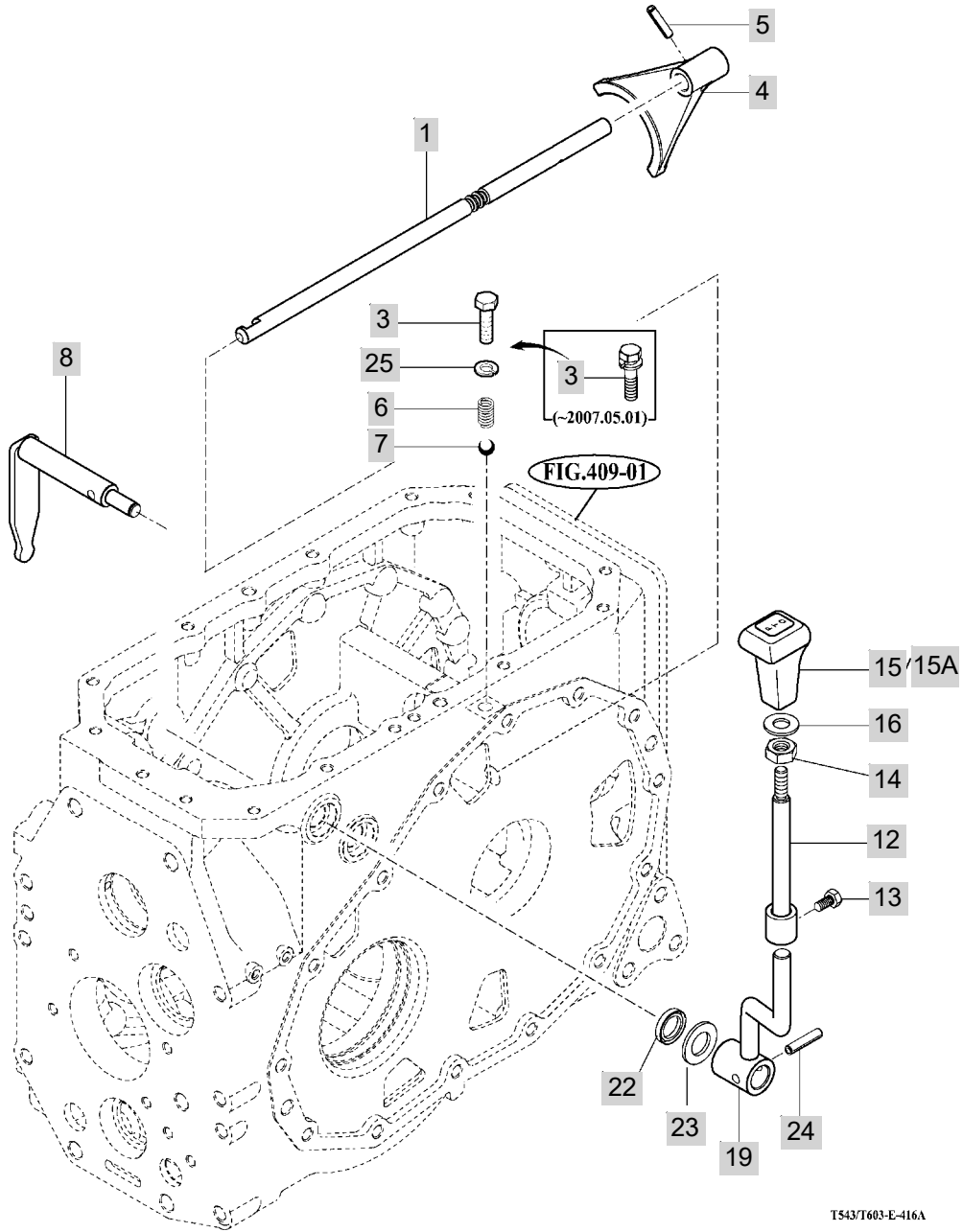
FIG 416

T603SP

P.T.O CHANGE SHIFTER

년/월  
Year/Month

2020.11



NOTE





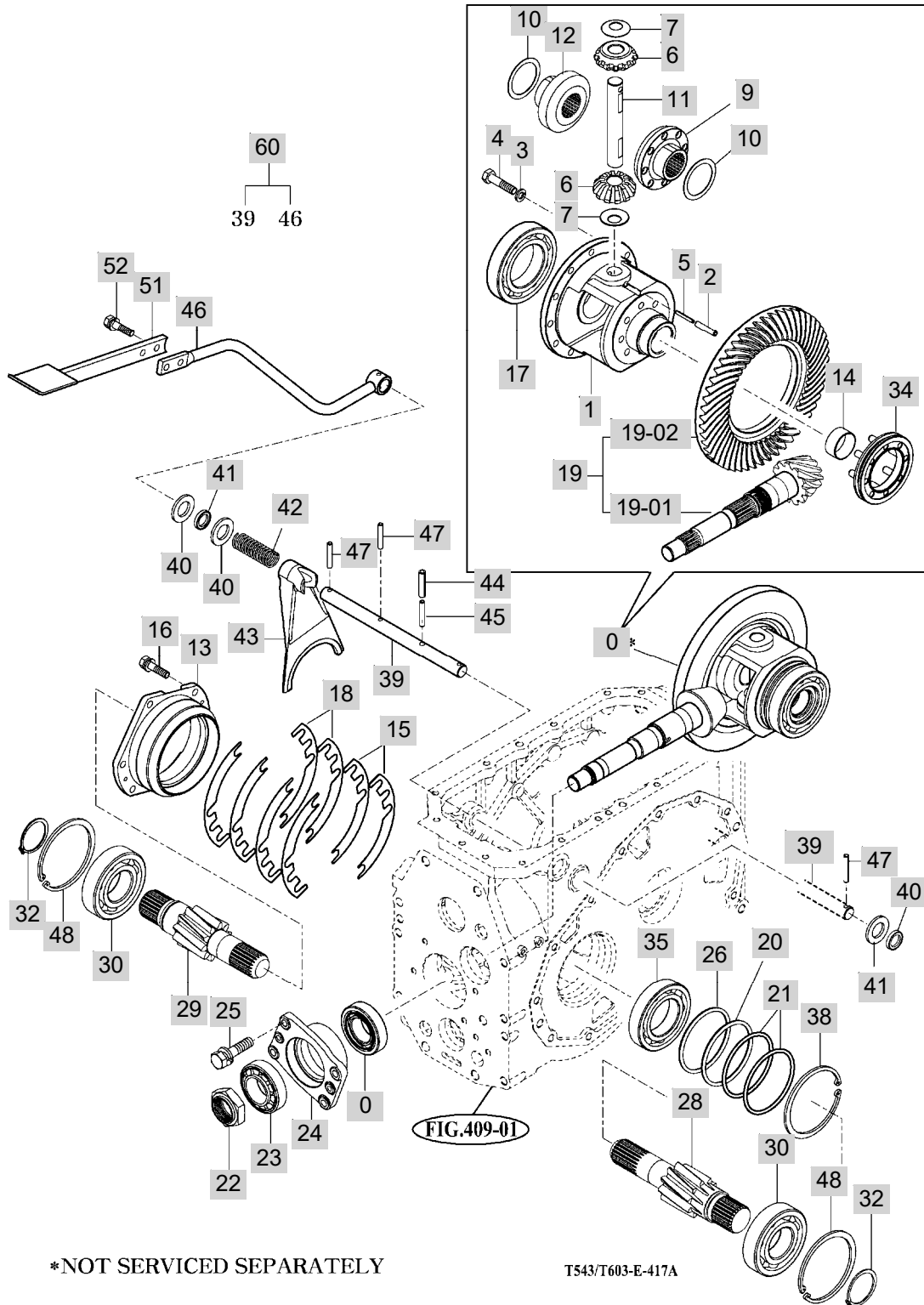
FIG 417

T603SP

P.T.O CHANGE SHIFTER

년/월  
Year/Month

2020.11



\*NOT SERVICED SEPARATELY

T543/T603-E-417A

NOTE

FIG 417		P.T.O CHANGE SHIFTER					년/월 Year/Month		
							2020.11		
T603SP		KEY NO	PART NO	DESCRIPTION	SPEC	QTY	REPAIR	EFFECTIVE DATE	REMARKS
417	0	19963031000	DIFF SET , RR T553	1X1X1	1				
417	1	17973030011M	CASE , DIFF		1				
417	2	V5801408040	PIN , SPRING	8X50	1				
417	3	V4011600100	WASHER , SPRING	M10	1			20081001	
417	4	V2024610025	BOLT , HEX FINE	M10X25	12				
417	5	V5801405036	PIN , SPRING	5X36	1			20120726	
417	6	17973030060	PINION , DIFF 10	1X1X1	2				
417	7	17973030070	COLLAR , PINION	T=1	2				
417	9	17973030091	GEAR , BEVEL 16LH	1X1X1	1			20100525	
417	10	17973030100	COLLAR , THRUST	T=1	2				
417	11	17973030110	SHAFT , DIFF PINION	1X1X1	1				
417	12	17973030121	GEAR , BEVEL 16RH	1X1X1	1			20100525	
417	13	17973030131M	METAL , DIFF		1				
417	14	17973030030	BUSH , 40X44X20	404420	1				
417	15	17973030150	SHIM , 0.1	1X1X1	4				
417	16	V2173610030	BOLT , HEX/S	M10X30	6				
417	17	V6001106214	BEARING , BALL	6214	1				
417	18	17973030160	SHIM , 0.2	T=0.2	8				
417	19	19963022100	GEAR SET , 11-48T		1				
417	19-01	19963022110	PINION , BEVEL 11T	1X1X1	1				
417	19-02	17973022120	GEAR , BEVEL 48T	1X1X1	1				
417	20	17973030201	SHIM , 95X109.8X1.5	T=1.5	1				
417	21	14523010050	SHIM , 0.1	T=0.1	1			20090923	
417	22	17973030020	NUT , M40 P1,5	육각B=55	1				
417	23	V6321132208	BEARING, TAPER ROLLER	32208CR	1			20120622	
417	24	19963010040M	METAL , PINION		1				
417	25	V2173610030	BOLT , HEX/S	M10X30	4				
417	26	17973030220	SHIM , 95X109.8X1.0	T=1.0	1				
417	28	19963030280	PINION , LH WHEEL	1X1X1	1				
417	29	19963030290	PINION , RH WHEEL	1X1X1	1				
417	30	V6001106310	BEARING , BALL	6310	2				
417	32	V7041400500	C-RING , SHAFT	50	2				
417	34	17973033400	SLEEVE COMP	1X1X1	1				
417	35	V6001106212	BEARING , BALL	6212	1				
417	38	V7051401100	C-RING , HOLE	110	1				
417	39	17973030391	SHAFT , DIFF LOCK	D=20	1				
417	40	V4111600200	WASHER , PLAIN	M20	3				
417	41	V7421203007	SEAL , OIL/G	G203006	2				
417	42	17973030420	SPRING	(D=3.6) X22.5X74.5	1				
417	43	17973030431M	FORK , DIFF		1				
417	44	V5801408036	PIN , SPRING	8X36	1			20120726	
417	45	V5801405036	PIN , SPRING	5X36	1			20120726	
417	46	17973034601	PEDAL COMP , DIFF LOCK	4.8X16.6X36	1				
417	47	V5801406032	PIN , SPRING	6X32	3				
417	48	V7051401100	C-RING , HOLE	110	2				
NOTE									



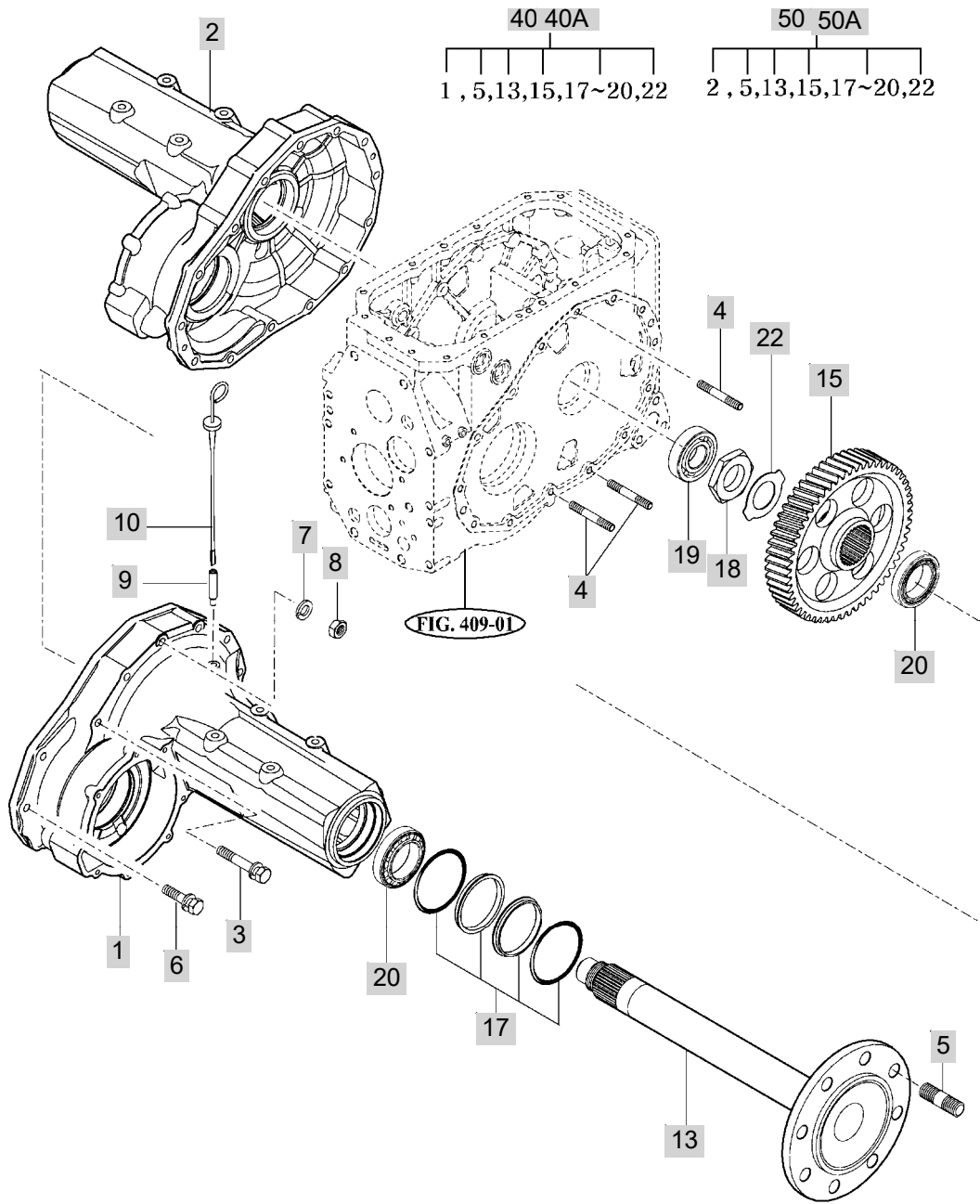
FIG 418

T603SP

REAR AXLE HOUSING

년/월  
Year/Month

2020.11



NOTE



5. FRONT AXLE,SUPPORTER & DRIVE SHAFT PART NO.  
T603SP-E-C5

FIG 501 FRONT AXLE SUPPORT	216
FIG 502 FRONT DRIVE SHAFT	218
FIG 503 FRONT AXLE HOUSING	220
FIG 504 FRONT DIFFERENTIAL GEARS	222
FIG 505 FRONT GEAR CASE (1)	224
FIG 506 FRONT GEAR CASE (2)	226
FIG 507 FRONT GEAR CASE (3)	228

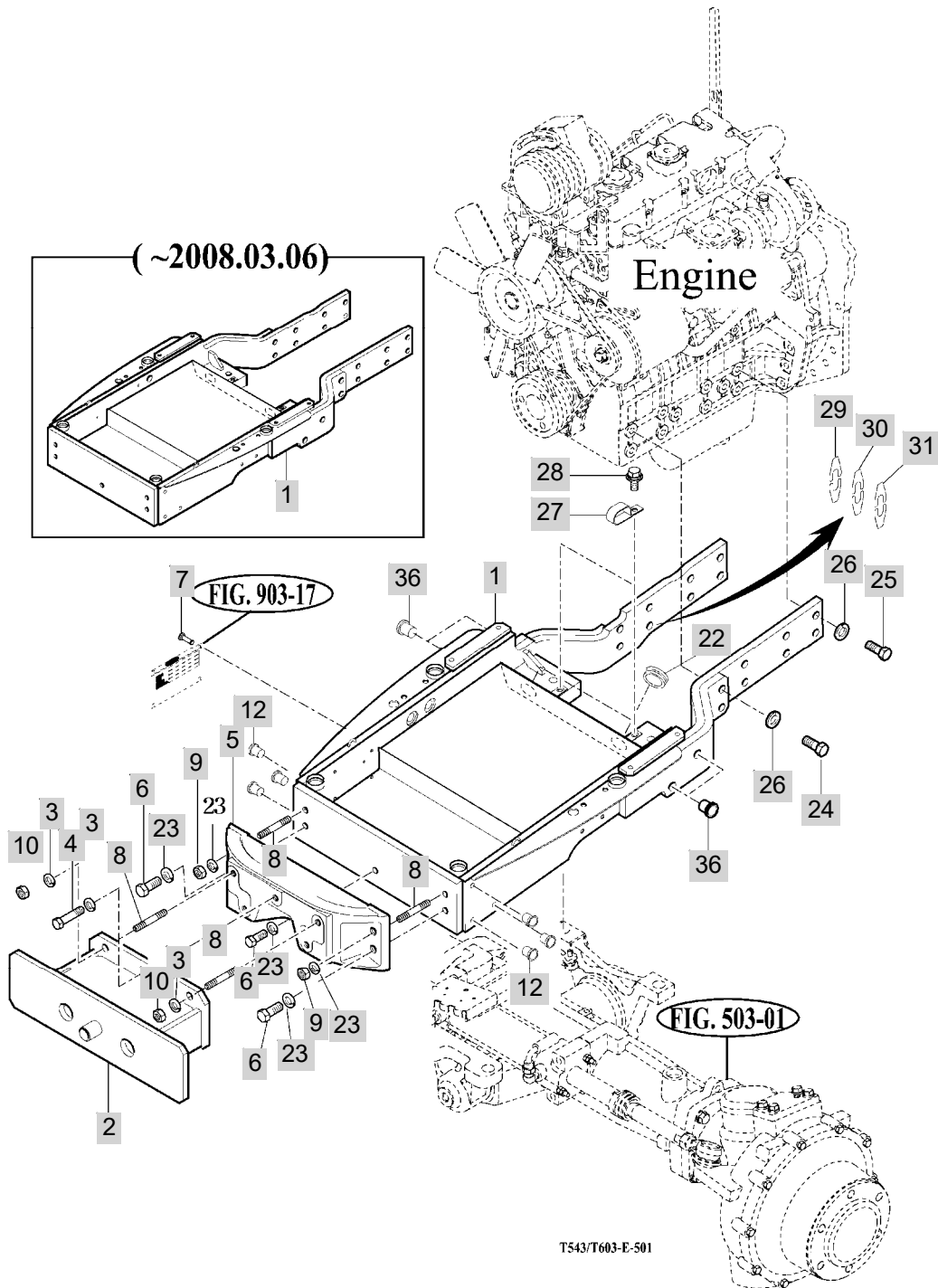
FIG 501

T603SP

FRONT AXLE SUPPORT

년/월  
Year/Month

2020.11



NOTE





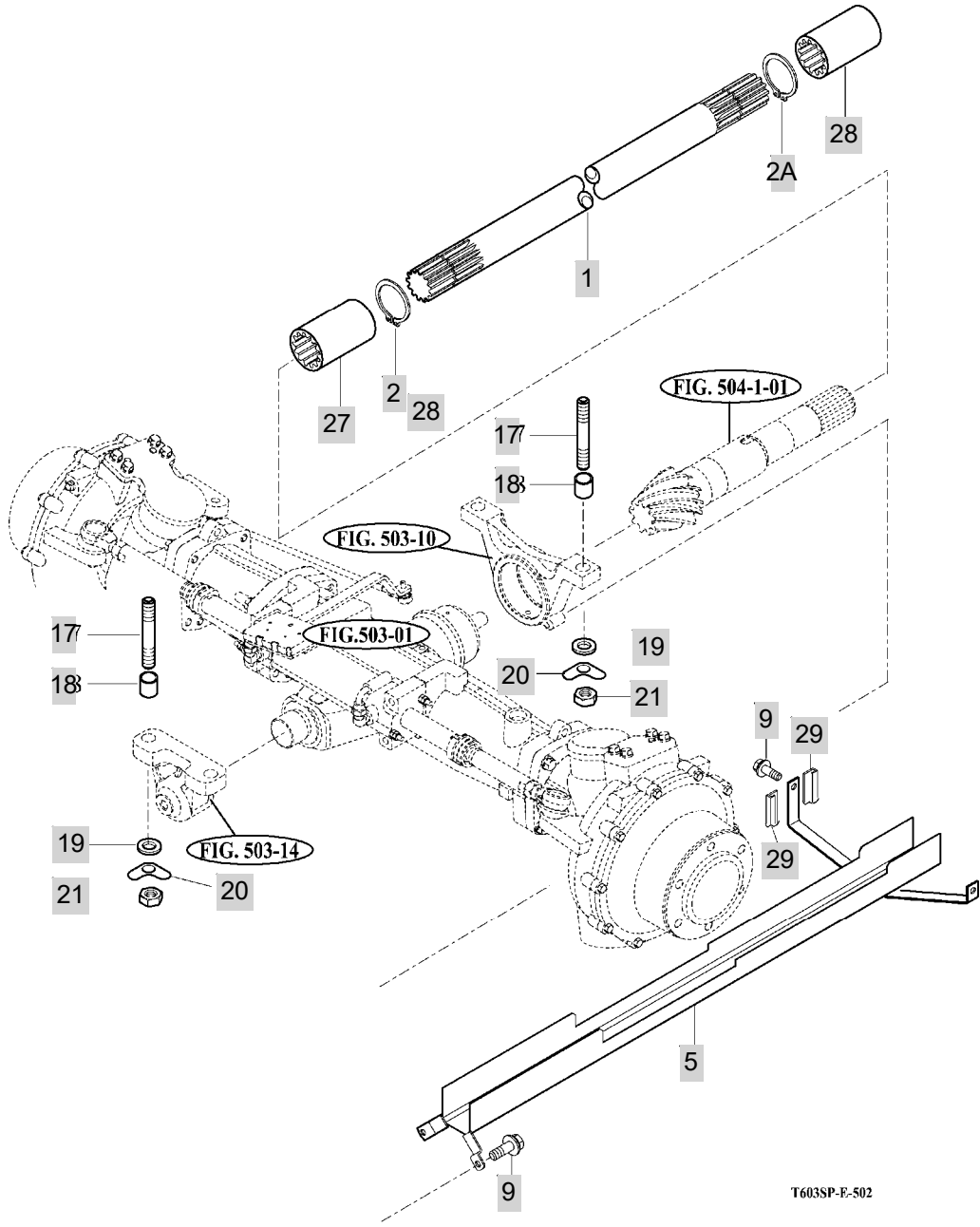
FIG 502

T603SP

FRONT DRIVE SHAFT

년/월  
Year/Month

2020.11



T603SP-E-502

NOTE



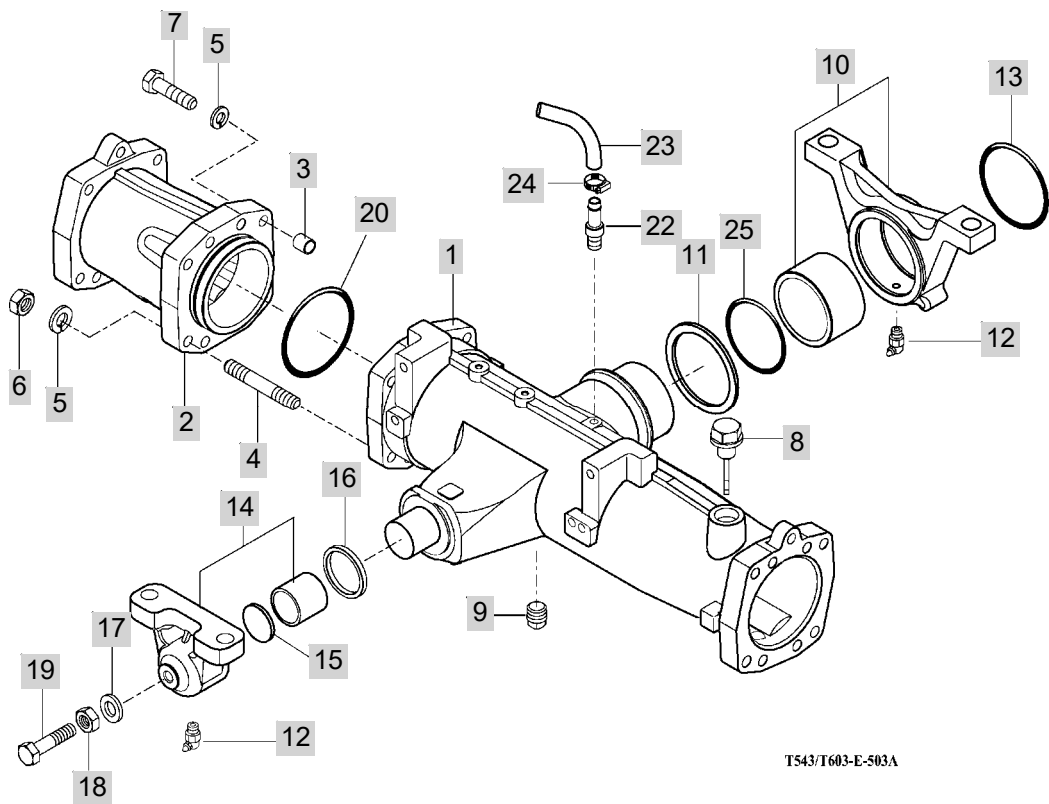
FIG 503

FRONT AXLE HOUSING

년/월  
Year/Month

2020.11

T603SP



T543/T603-E-503A

NOTE



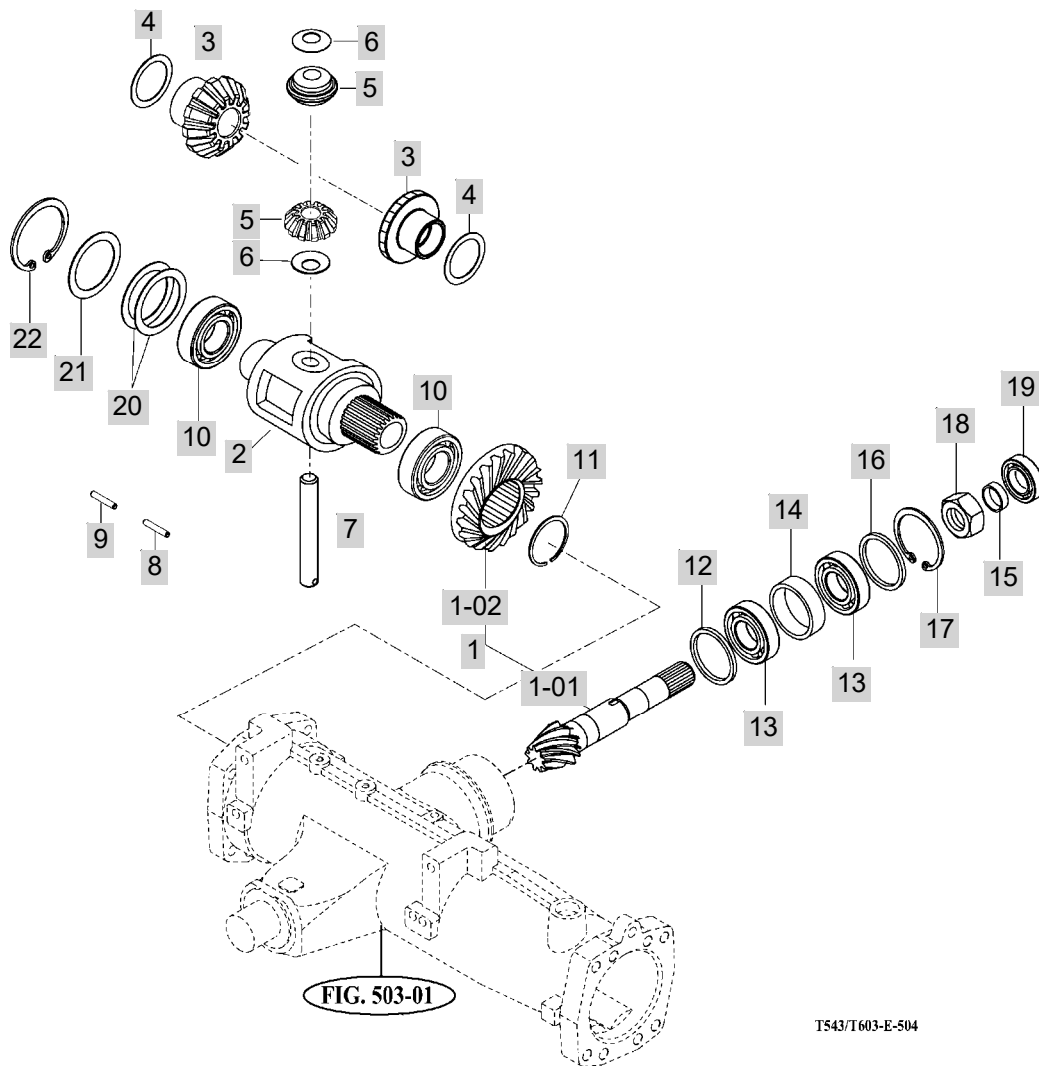
FIG 504

T603SP

FRONT DIFFERENTIAL GEARS

년/월  
Year/Month

2020.11



T543/T603-E-504

NOTE



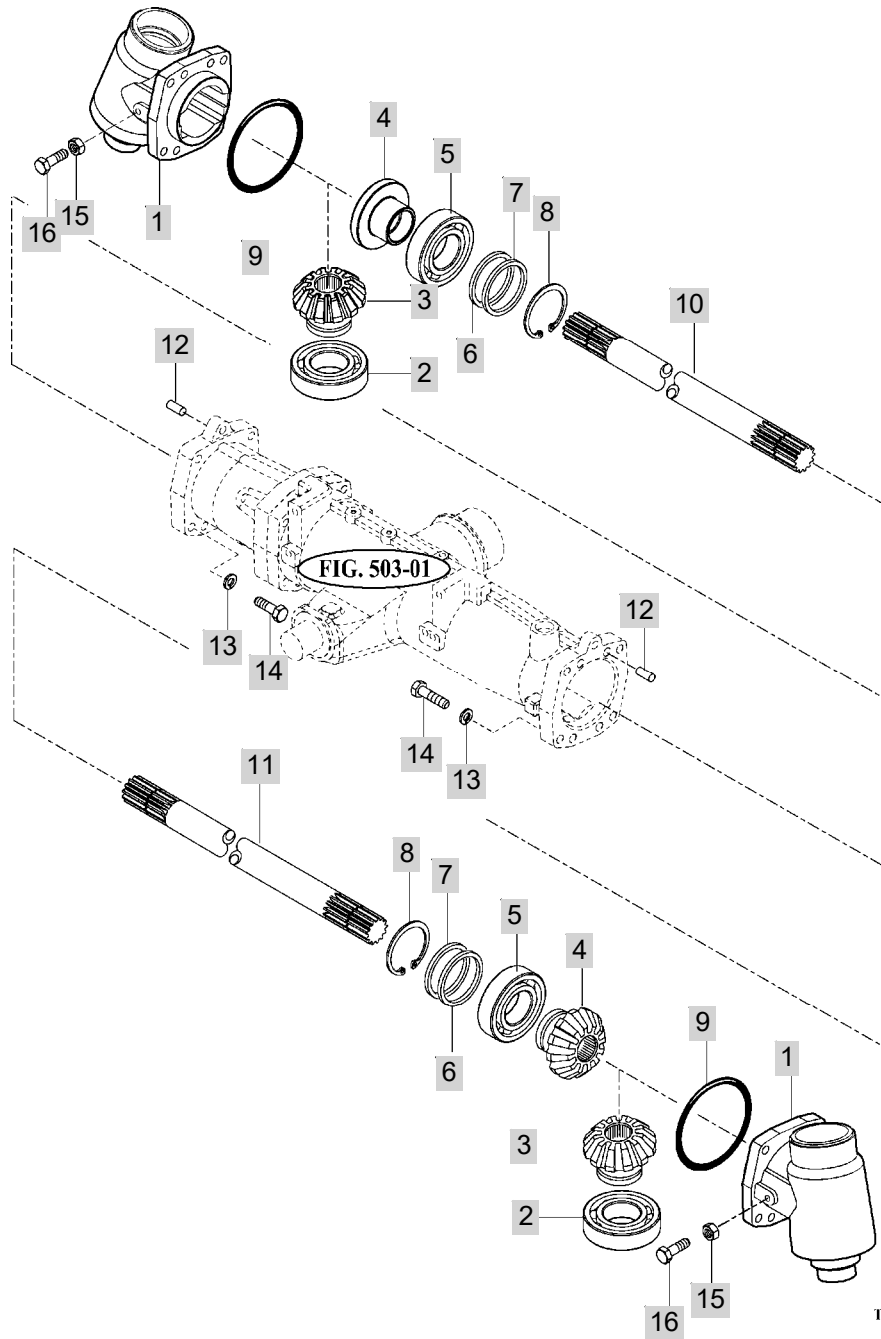
FIG 505

T603SP

FRONT GEAR CASE (1)

년/월  
Year/Month

2020.11



T543/T603-E-505A

NOTE





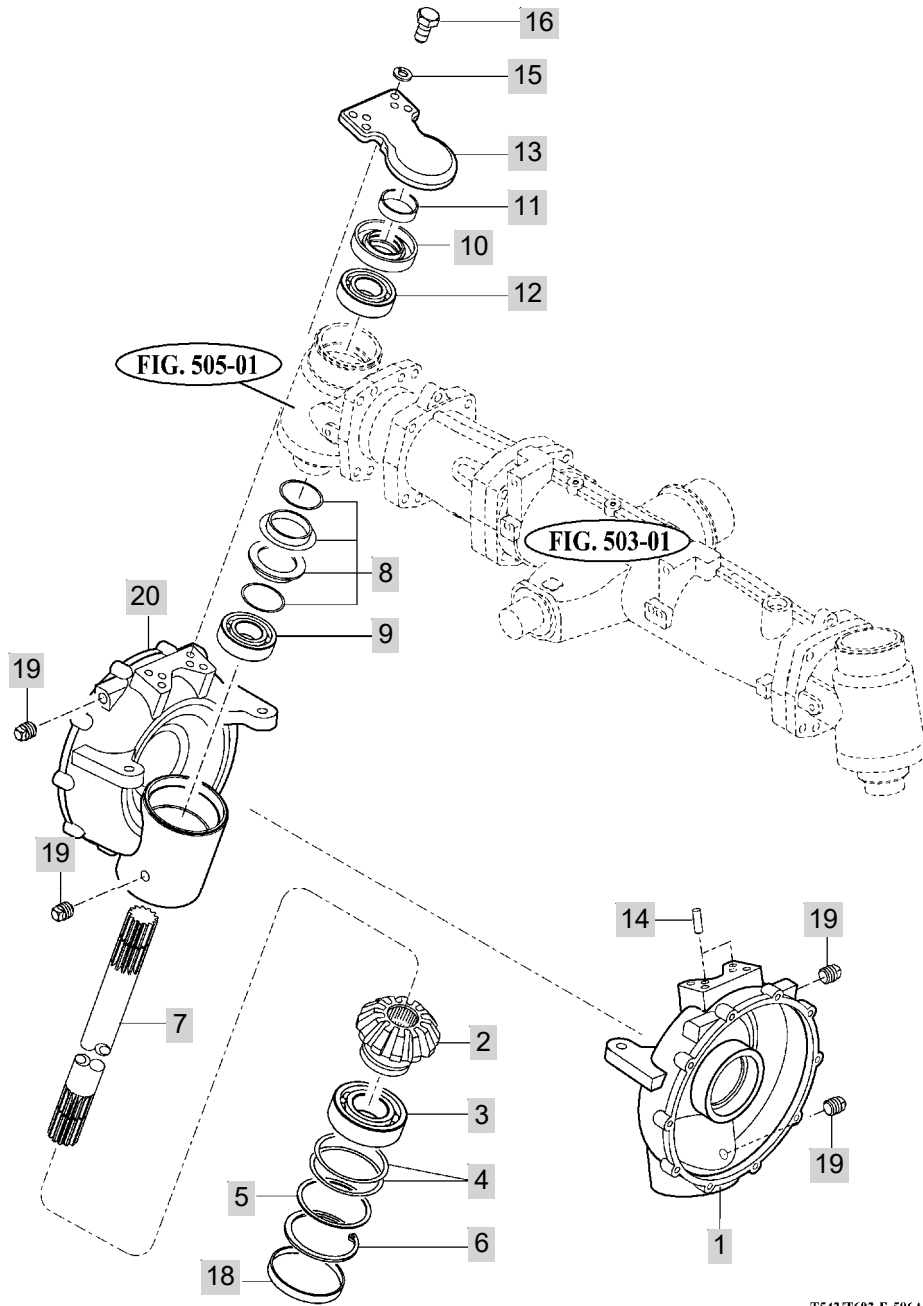
FIG 506

T603SP

FRONT GEAR CASE (2)

년/월  
Year/Month

2020.11



T543/T603-E-506A  
T552/T552-K-306A

NOTE



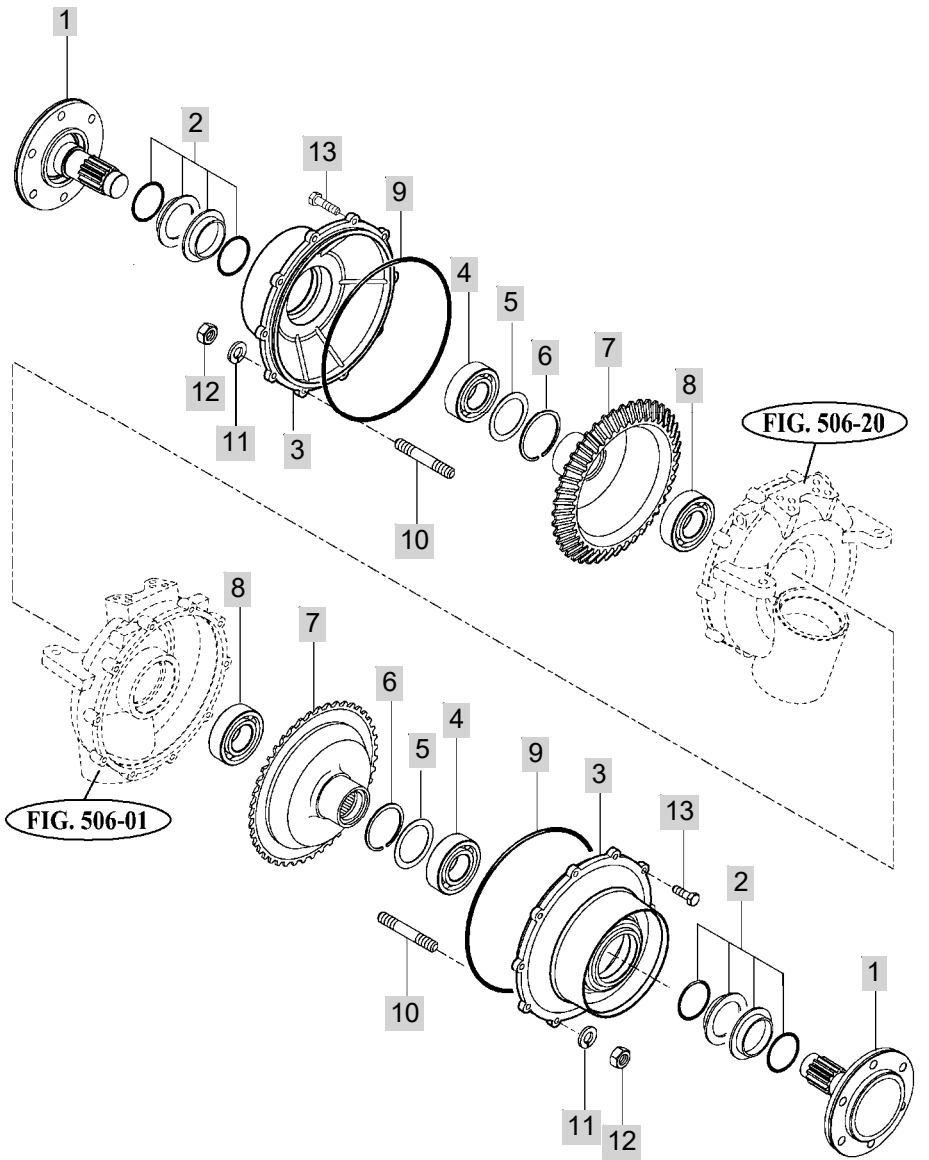
FIG 507

T603SP

FRONT GEAR CASE (3)

년/월  
Year/Month

2020.11



T543/T603-E-507A  
T552/T552-E-507A

NOTE



## 6. HYDRAULICS & 3-POINT LINK PART NO. T603SP-E-C6

FIG 601 FRONT GEAR CASE (1)	231
FIG 602 LIFT ARM	233
FIG 603 CYLINDER	235
FIG 604 POSITION LINK	237
FIG 605 CONTROL VALVE	239
FIG 606 DRAFT LINK	241
FIG 607 POSITION & DRAFT LEVER	243
FIG 608 EXTERIOR HYD. VALVE	245
FIG 609B HYDRAULIC PIPES	247
FIG 610B JOYSTICK SET	249
FIG 611B HYDRAULIC HOSES	251
FIG 612A HITCH & 3-POINT LINK	253
FIG 613A LOWER LINK & LIFT ROD	256

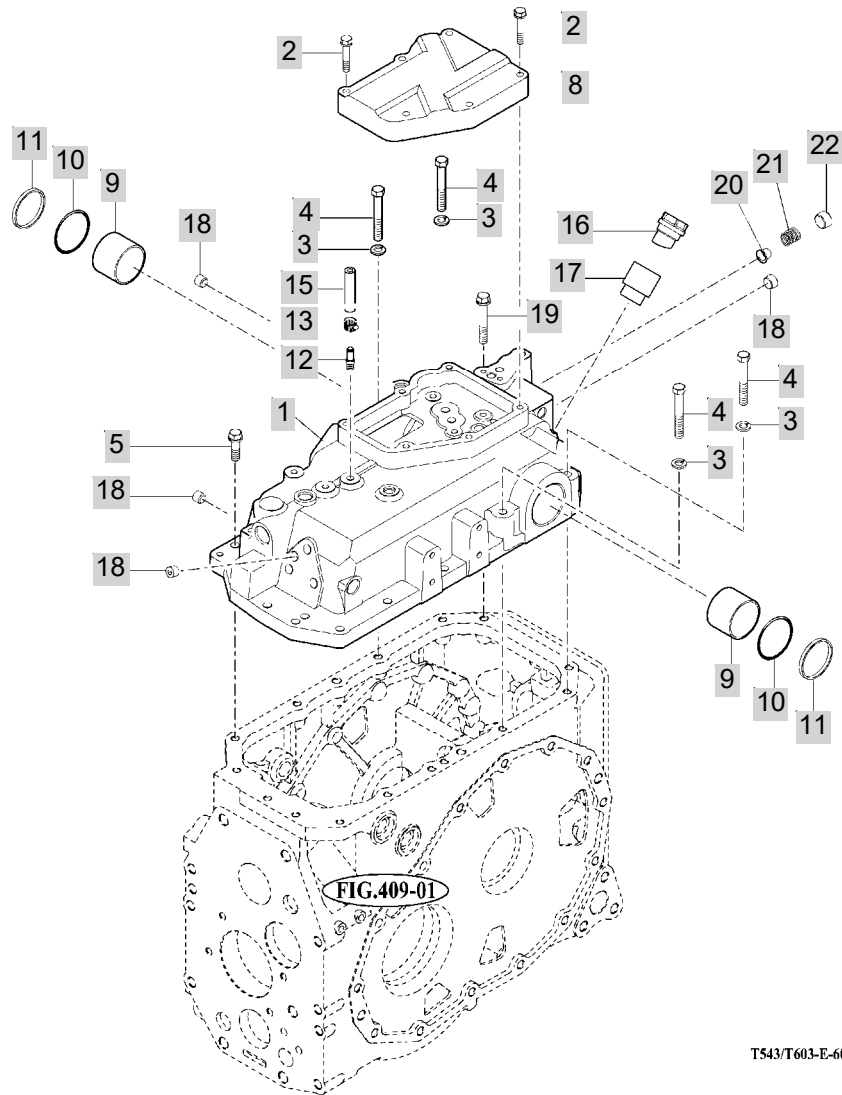
FIG 601

T603SP

FRONT GEAR CASE (1)

년/월  
Year/Month

2020.11



NOTE





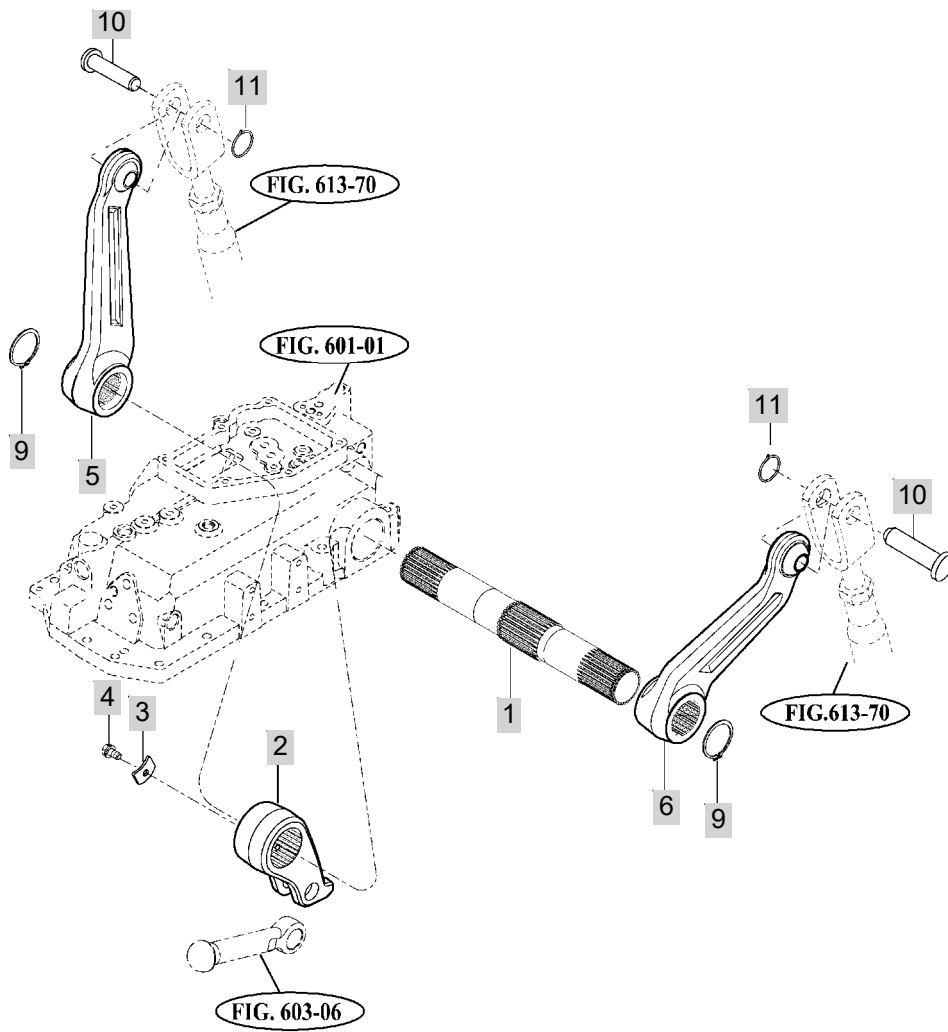
FIG 602

T603SP

LIFT ARM

년/월  
Year/Month

2020.11



T543/T603-E-602A

NOTE



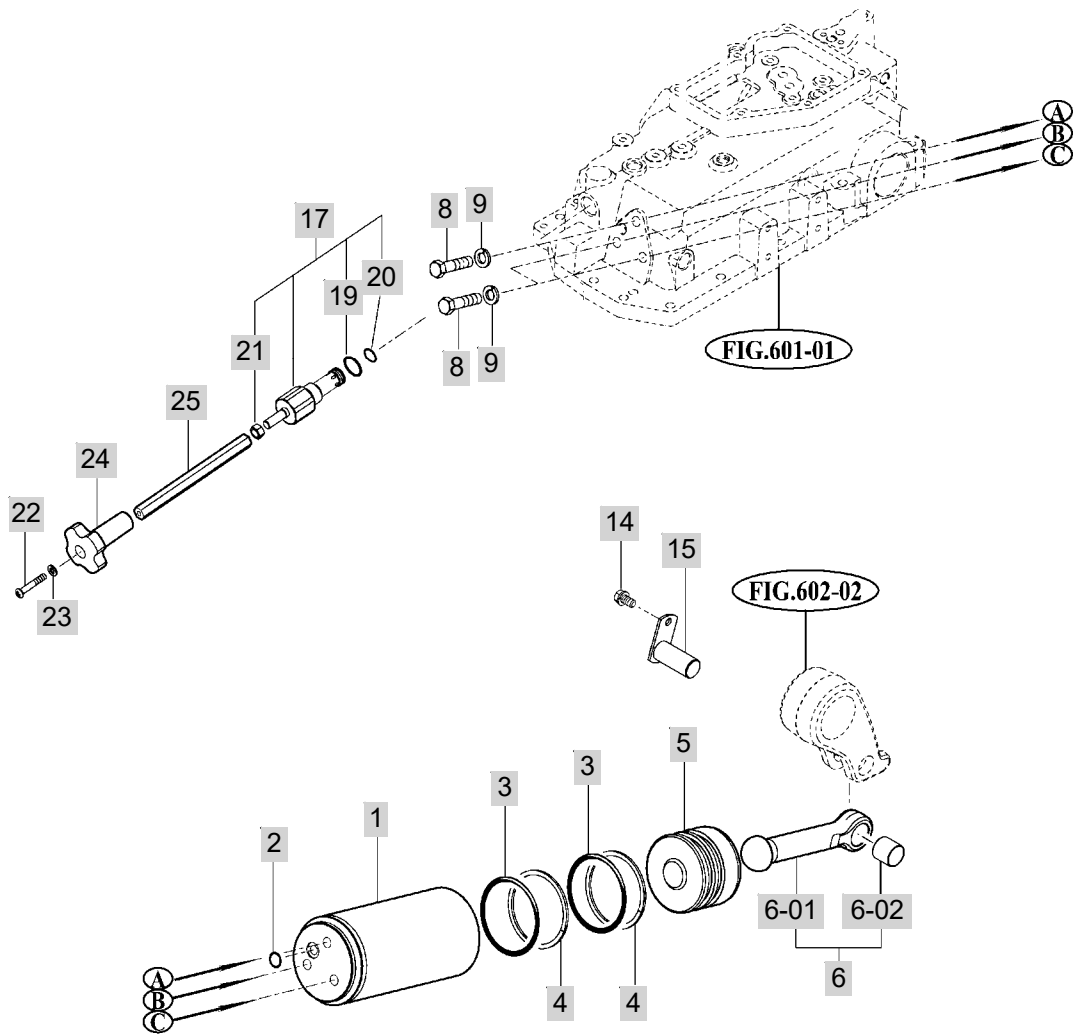
FIG 603

T603SP

CYLINDER

년/월  
Year/Month

2020.11



T543/T603-E-603A

NOTE



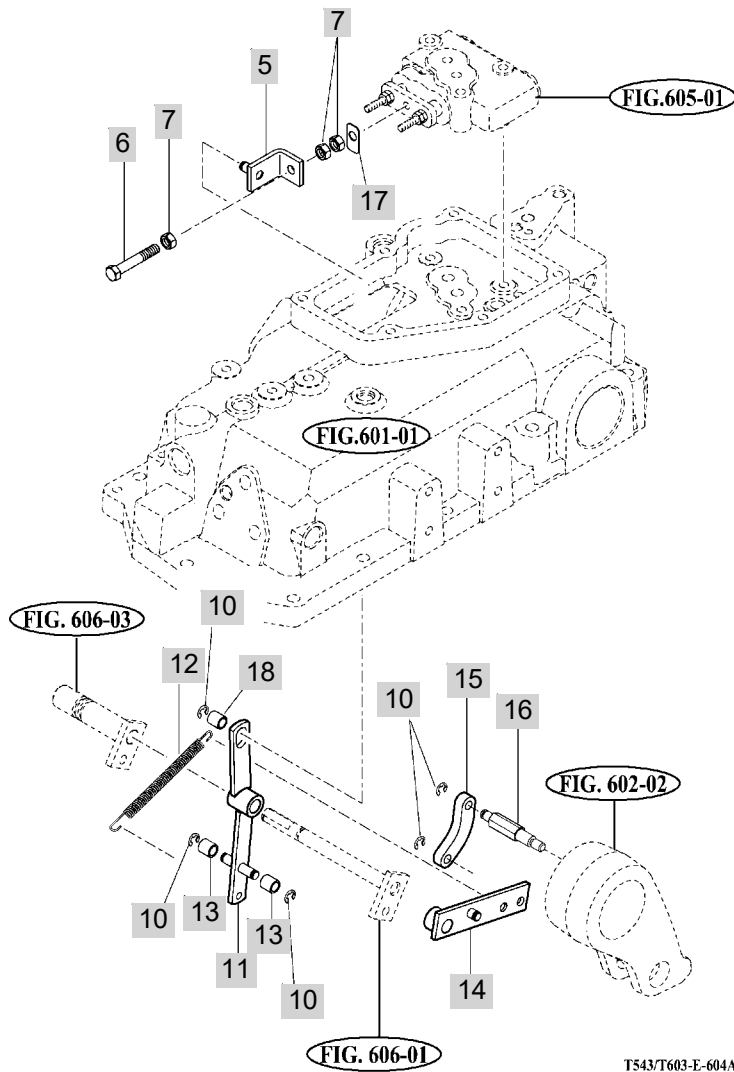
FIG 604

T603SP

POSITION LINK

년/월  
Year/Month

2020.11



T543/T603-E-604A

NOTE



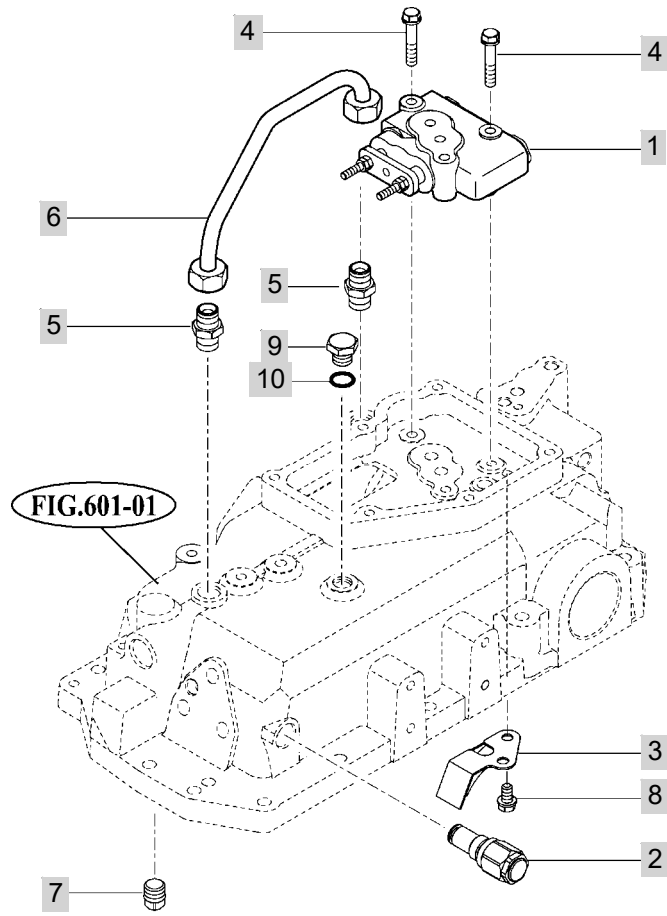
FIG 605

T603SP

CONTROL VALVE

년/월  
Year/Month

2020.11



T543/T603-E-605A

NOTE





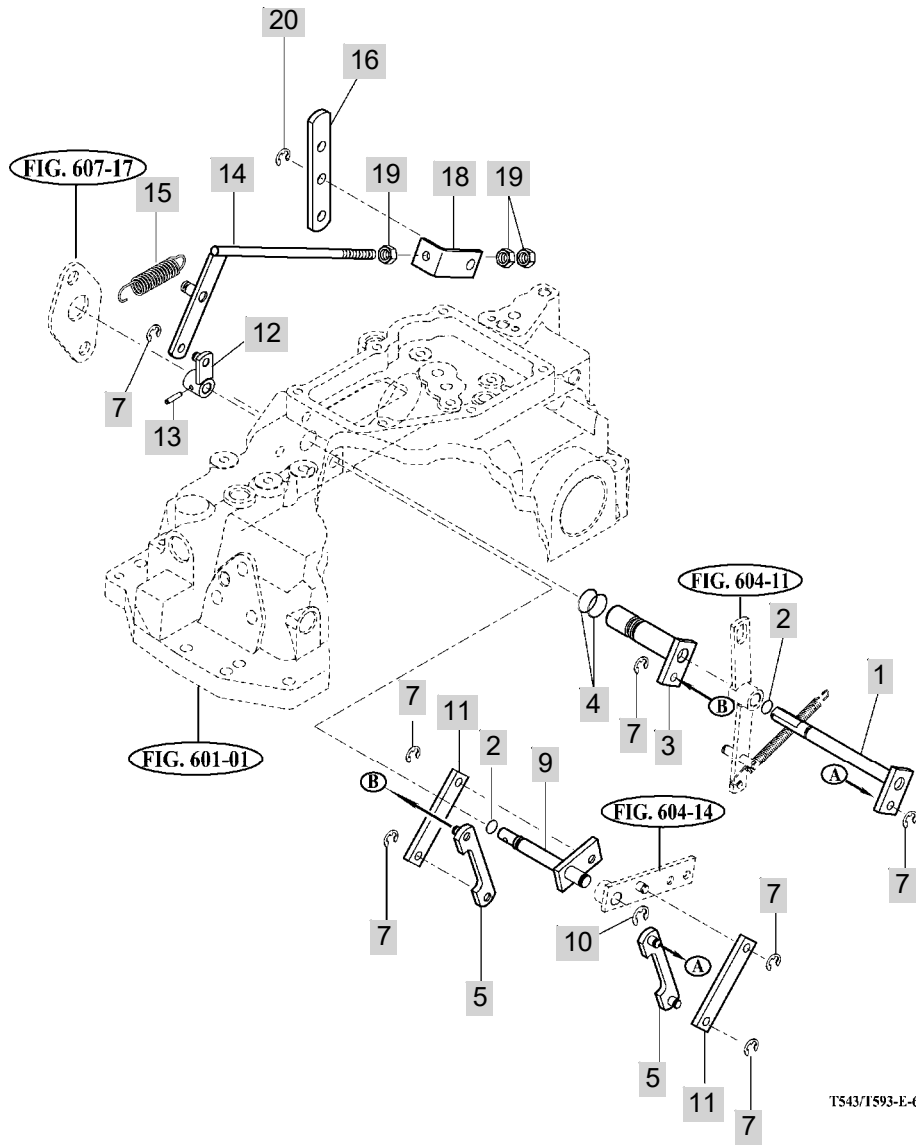
FIG 606

T603SP

DRAFT LINK

년/월  
Year/Month

2020.11



TS43/1593-E-606A

NOTE



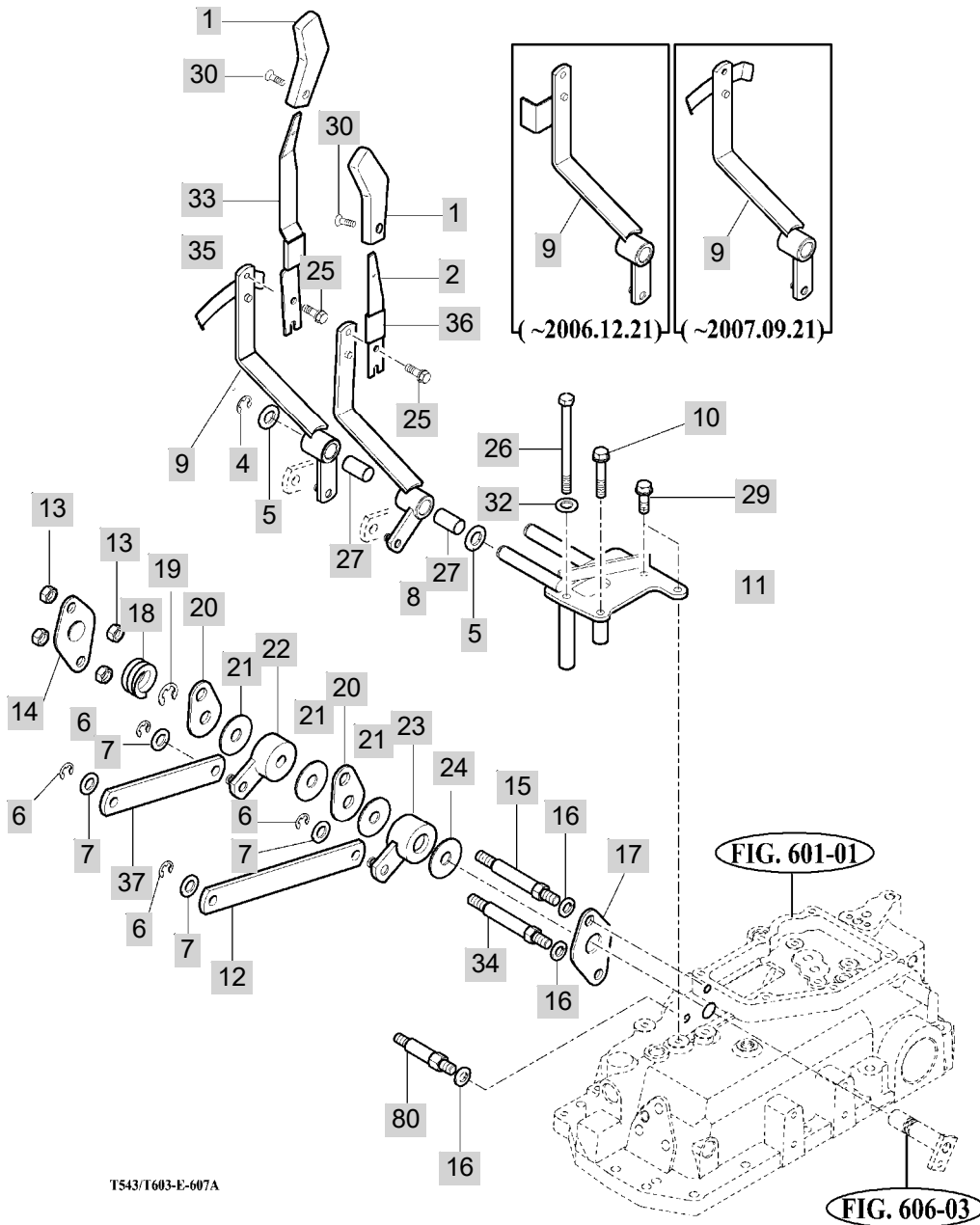
FIG 607

T603SP

POSITION & DRAFT LEVER

년/월  
Year/Month

2020.11



NOTE



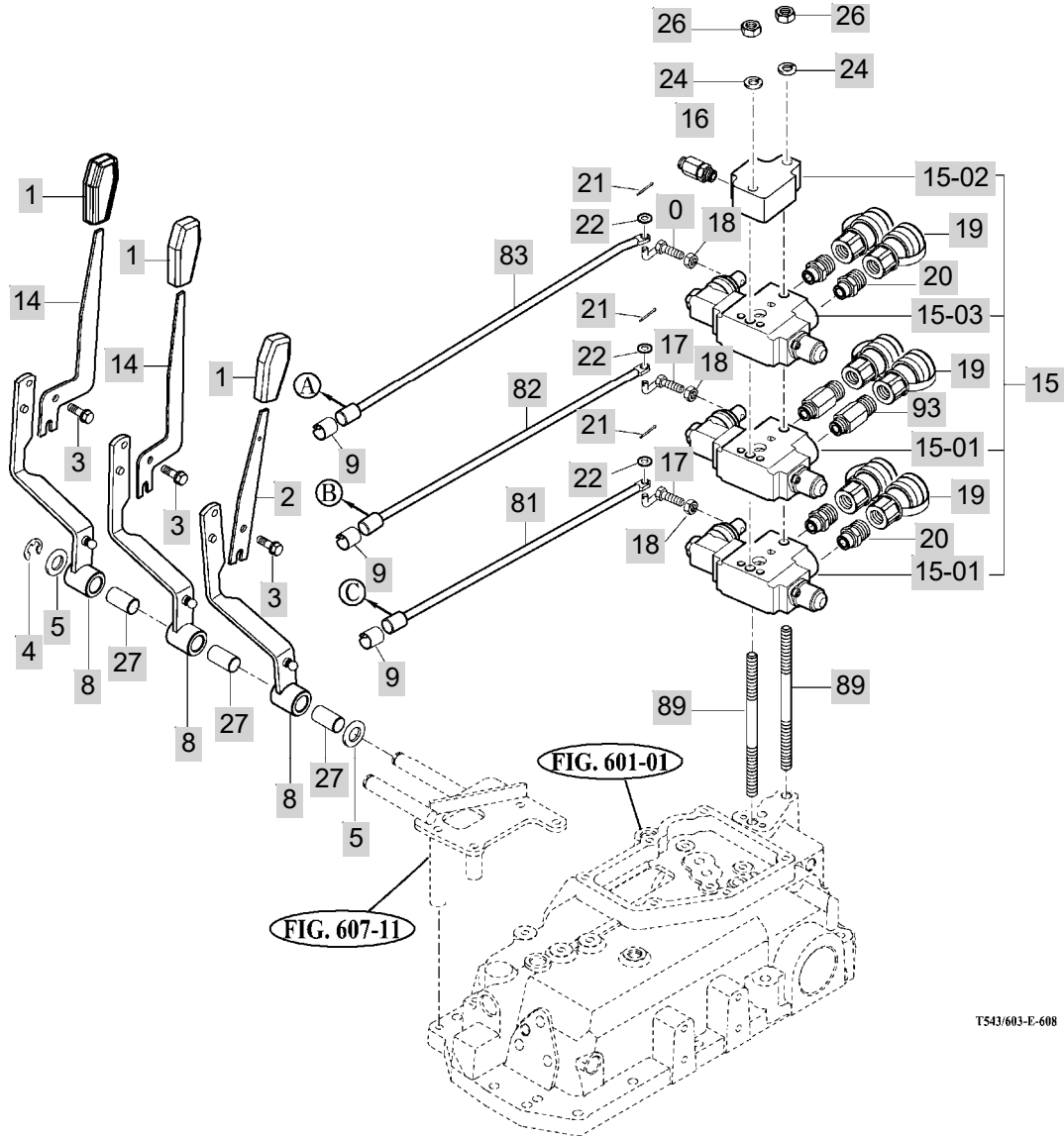
FIG 608

T603SP

EXTERIOR HYD. VALVE

년/월  
Year/Month

2020.11



NOTE



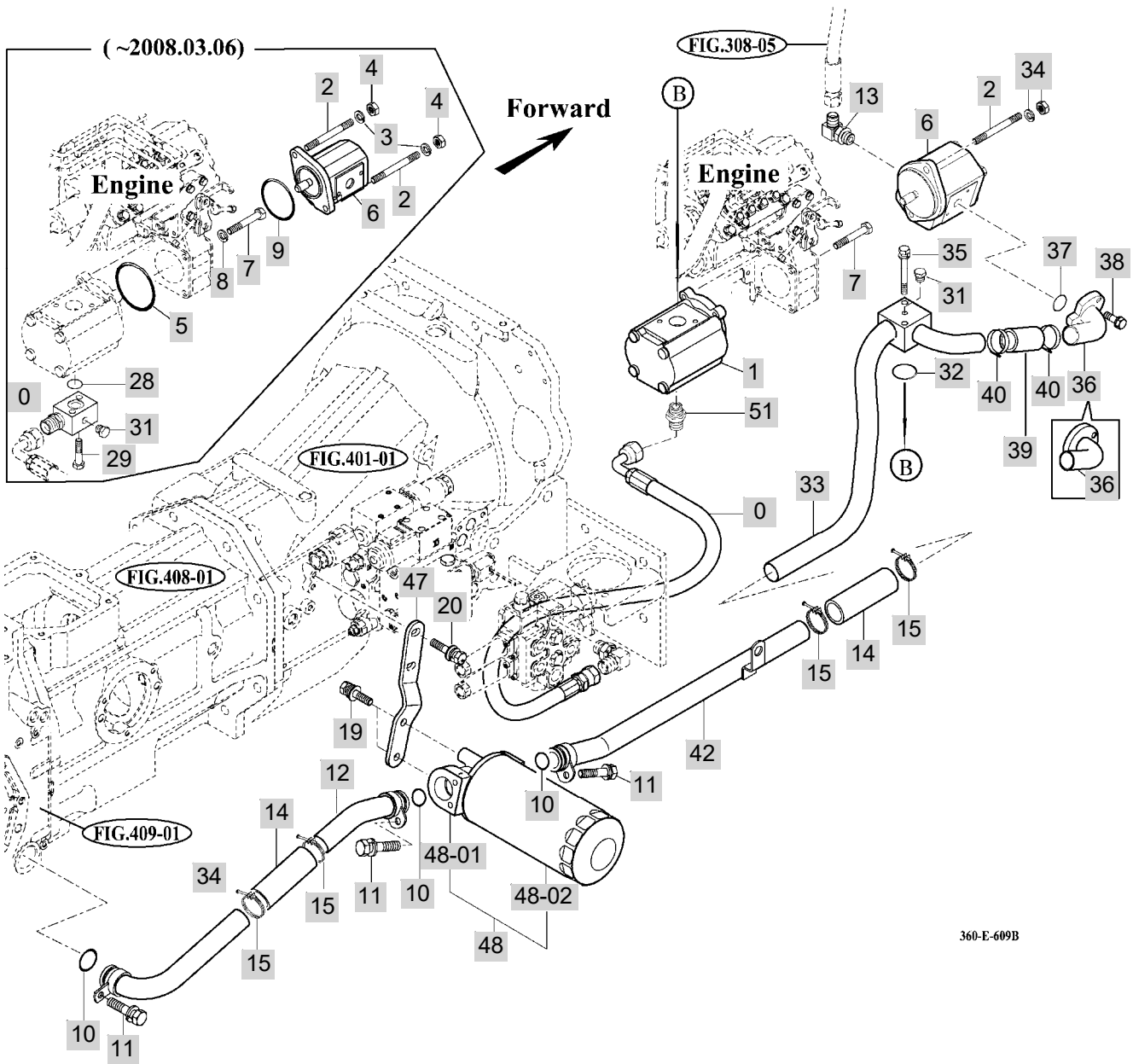
FIG 609B

HYDRAULIC PIPES

년/월  
Year/Month

T603SP

2020.11



360-E-609B

NOTE





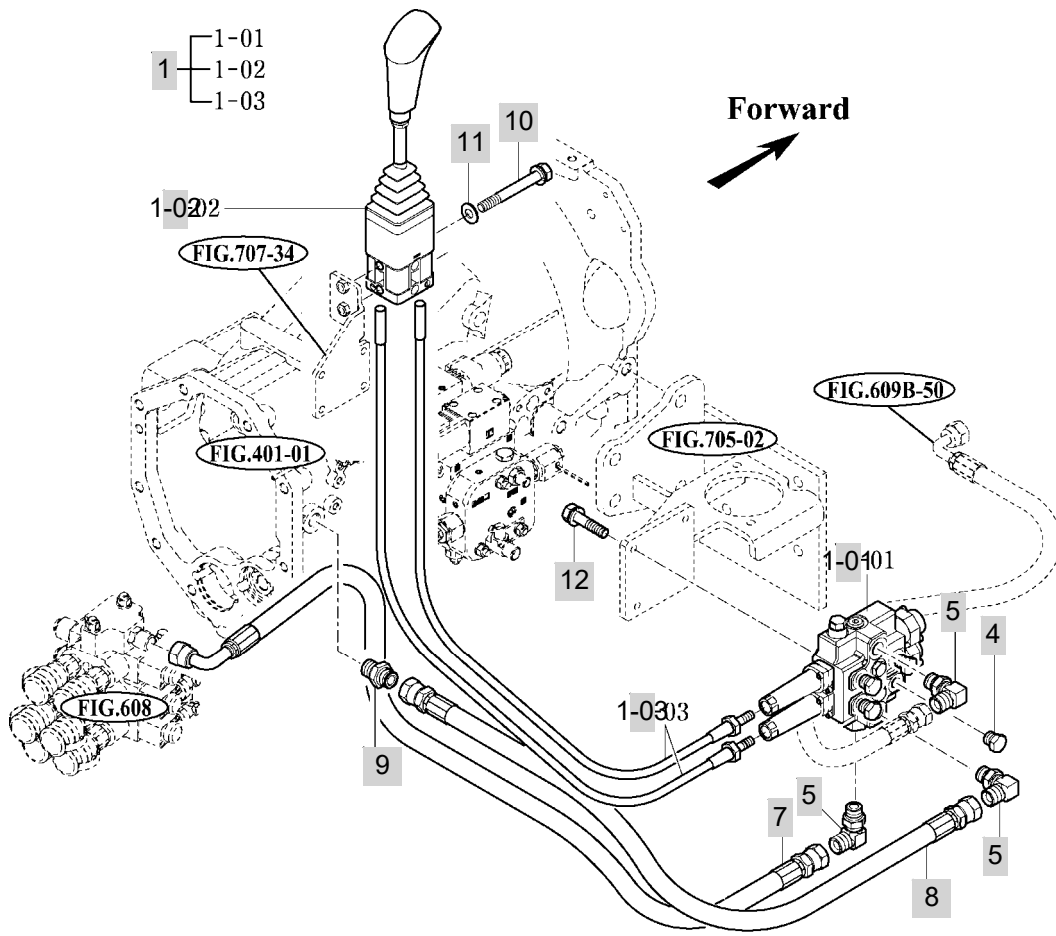
FIG 610B

JOYSTICK SET

년/월  
Year/Month

2020.11

T603SP



360-E-610B

NOTE



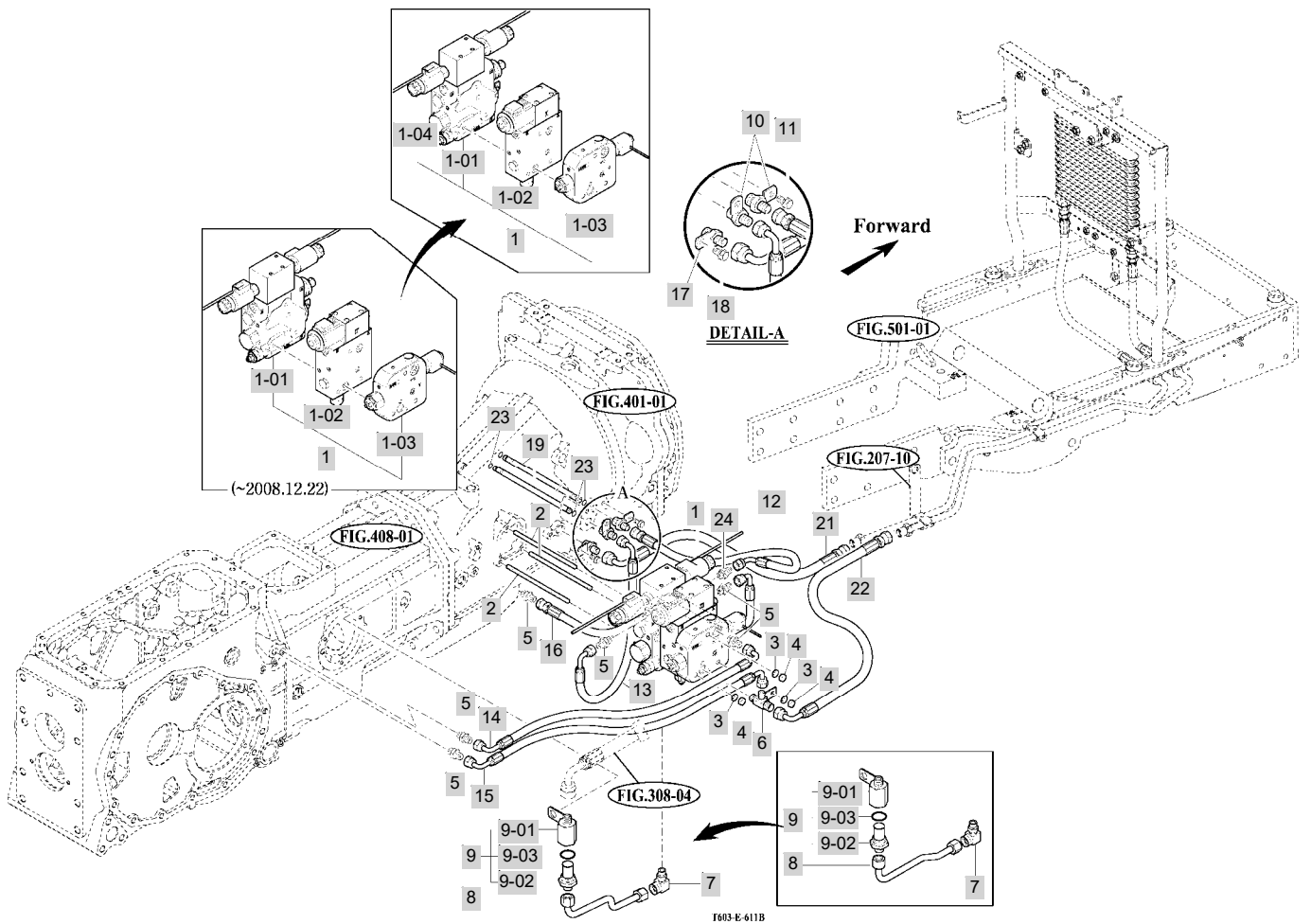
FIG 611B

HYDRAULIC HOSES

년/월  
Year/Month

T603SP

2020.11



T603-E-611B

NOTE



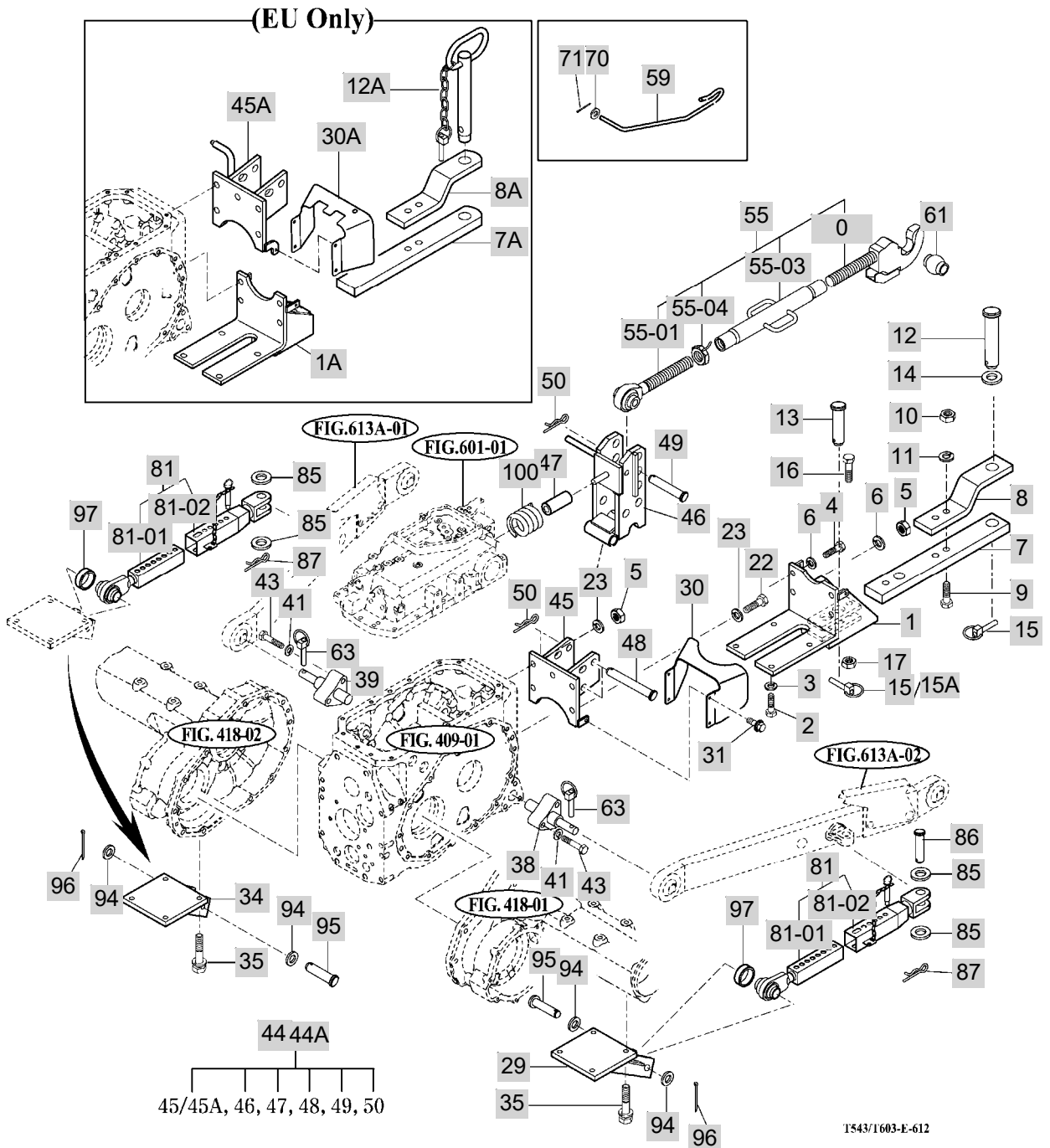
FIG 612A

HITCH & 3-POINT LINK

년/월  
Year/Month

T603SP

2020.11



NOTE

FIG 612A		HITCH & 3-POINT LINK					년/월 Year/Month		
							2020.11		
T603SP		KEY NO	PART NO	DESCRIPTION	SPEC	QTY	REPAIR	EFFECTIVE DATE	REMARKS
612A	1	17975202000DG	BRACKET COMP , DRAW BAR	1X1X1	1				
612A	1A	19945202000DG	BRACKET COMP , DRAW BAR	1X1X1	1				
612A	2	V2013614035	BOLT , HEX	M14X35	4			20030401	
612A	3	V4011600140	WASHER , SPRING	M14	4			20120710	
612A	4	V2013616035	BOLT , HEX	M16X35	1			20081226	
612A	5	V3043600160	NUT , HEX/2	M16	6			20080129	
612A	6	V4011600160	WASHER , SPRING	M16	0			20090323	
612A	7	16992470010DG	LINK , DRAW BAR	65X30	1				
612A	7A	13602470010DG	LINK , DRAW BAR	1X1X1	1			20031228	
612A	8	15132470021DG	LINK , HITCH	65X19	1				
612A	8A	13602470020DG	LINK , HITCH	1X1X1	1			20031228	
612A	9	V2003616070	BOLT , HEX	M16X70	2				
612A	10	15189240160	NUT , NYLON , M16	1X1X1	2			20090323	
612A	11	V4011600160	WASHER , SPRING	M16	0			20090323	
612A	12	15062470042	PIN . TRAILER	D=28	1			20030401	
612A	12A	S0973063031	PIN ASSY	1X1X1	1				
612A	13	15062470050	PIN , DRAW BAR	D=28	1			20030401	
612A	14	15252470010	RUBBER , CUSHION		1			20030401	
612A	15	14215020020	PIN , LINK		0			20060401	
612A	15A	14215020020	PIN , LINK		0			20060401	
612A	16	V2013610030	BOLT , HEX	M10X30	1			20030401	
612A	17	V3043600100	NUT , HEX/2	M10	2			20080526	
612A	22	V2013616035	BOLT , HEX	M16X35	1			20081226	
612A	23	V4011600160	WASHER , SPRING	M16	0			20090323	
612A	29	17975254100DG	BRACKET COMP , LH	1X1X1	1				
612A	30	15605202113DG	COVER , SHIELD	T=2.3	1				
612A	30A	13605200012DG	COVER , SHIELD	1X1X1	1			20080924	
612A	31	V2183608016	BOLT , HEX/SP	M8X16	0			20081224	
612A	34	17975254200DG	BRACKET COMP , RH	1X1X1	1				
612A	35	V2173612030	BOLT , HEX/S	M12X30	8				
612A	38	17975252710	PIN , LOWER LINK		1				
612A	39	17975252810	PIN , LOWER LINK	1X1X1	1				
612A	41	V4011600140	WASHER , SPRING	M14	4			20120710	
612A	43	V2013614060	BOLT , HEX	M14X60	6				
612A	44	19995200500	BRACKET ASSY	1X1X1	1			20111128	
612A	44A	19945200500	BRACKET ASSY	1X1X1	1				
612A	45	17995222001DG	BRACKET COMP	1X1X1	1				
612A	45A	19945222000DG	BRACKET COMP	1X1X1	1				
612A	46	17975222102DG	LINK COMP	1X1X1	1			20080727	
612A	47	17995220990	RUBBER , GUIDE	1X1X1	0			20100128	
612A	48	15642520011	PIN , 19X122		1			20100616	
612A	49	15645220020	PIN , 19X95	D=19	1			20110321	
612A	50	14445140051	PIN , 19	D=4.5	3			20110321	
612A	55	17995201002DG	LINK ASSY . TOP LINK	1X1X1	1				
612A	55-01	17995201300	ROD COMP , RH	1X1X1	1				
NOTE									



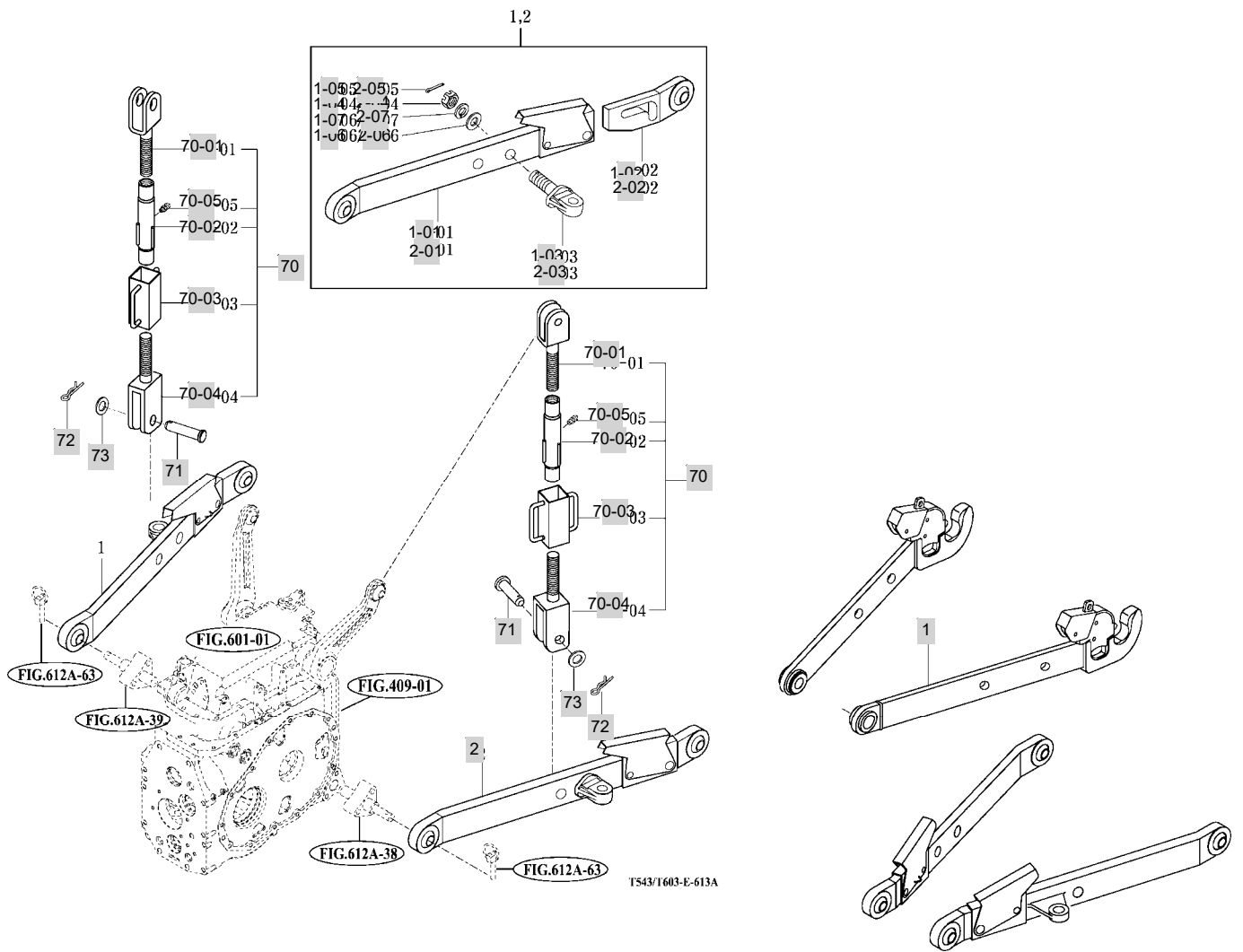
FIG 613A

LOWER LINK & LIFT ROD

년/월  
Year/Month

T603SP

2020.11



NOTE





## 7. SHEET METAL & CABIN PART NO. T603SP-E-C7

FIG 701 BONNET (1)	259
FIG 702 BONNET (2)	262
FIG 704 LEVER COVER & STEP	264
FIG 705 FRONT & REAR MOUNTING	266
FIG 706 FLOOR & SEAT	268
FIG 707 CAB FRAME & REAR GLASS	270
FIG 708 SIDE GLASS	272
FIG 709 DOOR	274
FIG 710 FRONT GLASS	276
FIG 711 SUB FENDER & COVER	278
FIG 712 CONTROL COVER	280
FIG 713 ROOF	282
FIG 714 INTERIOR PART	284
FIG 715 HEATER & AIR-CON	286

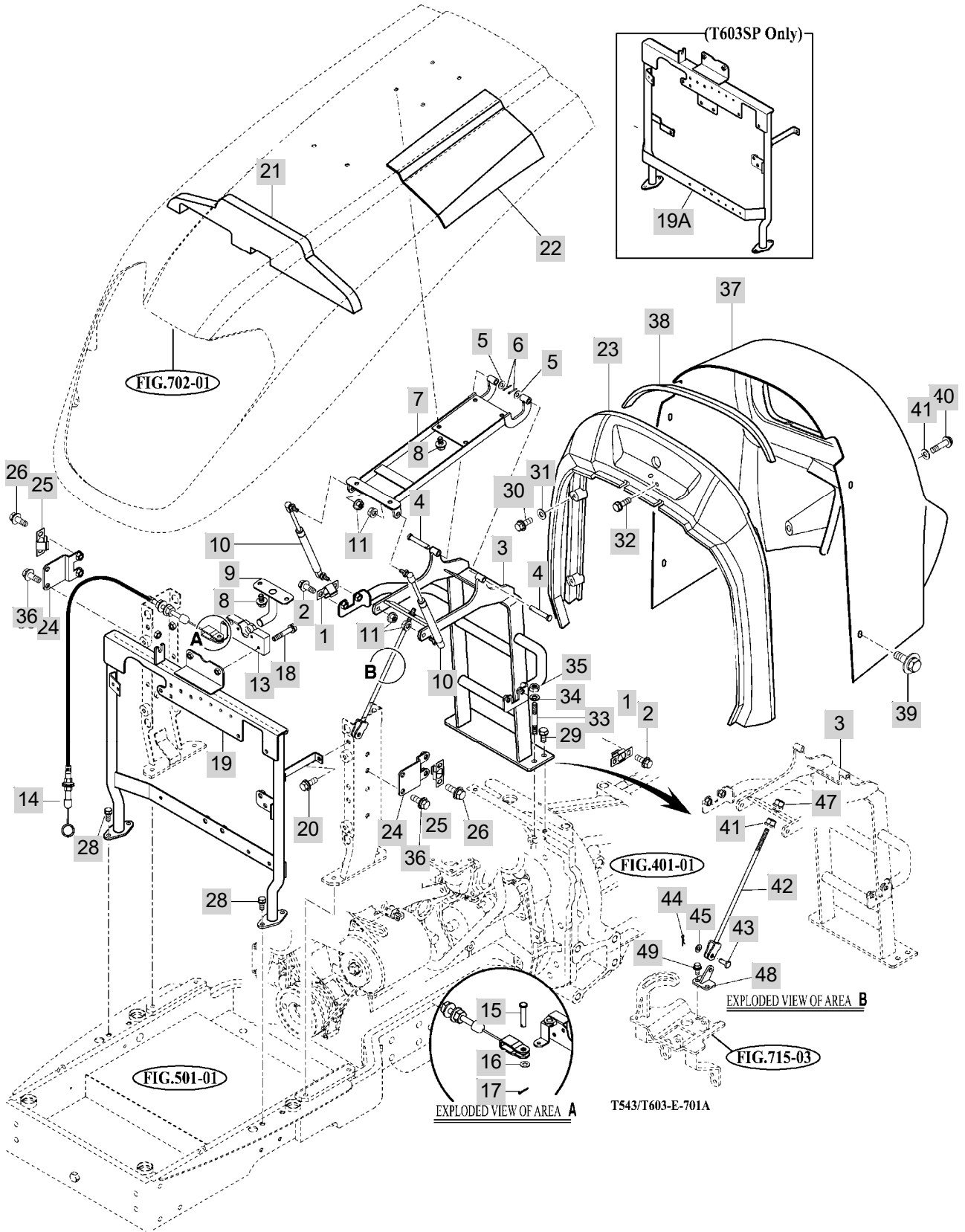
FIG 701

T603SP

BONNET (1)

년/월  
Year/Month

2020.11



NOTE

FIG 701		BONNET (1)					년/월 Year/Month		
							2020.11		
T603SP		KEY NO	PART NO	DESCRIPTION	SPEC	QTY	REPAIR	EFFECTIVE DATE	REMARKS
701	1	17686013502	SPRING	T=1.0	2				
701	2	V2205408016	BOLT .HEX/R	M8X16	4			20071207	
701	3	19956052002DG	FRAME(HOOD SUPPORT) COMP	1X1X1	1			20060301	
701	4	16996024552	PIN	D=8	2				
701	5	V4111600080	WASHER , PLAIN	M8	0			20090223	
701	6	V5001920020	PIN , SPLIT	2X20	0			20080401	
701	7	19956054600DG	HOOD OPEN BRACKET COMP	1X1X1	1				
701	8	V2183608016	BOLT , HEX/SP	M8X16	0			20081224	
701	9	19956022100	HOOD LOCK COMP	1X1X1	1				
701	10	19957022201	DAMPER ASSY,HOOD	1X1X1	2			20060101	
701	11	V3802600080	NUT , HEX FLANGE	M8	1			20120501	
701	13	17686020600	LOCK COMP . HOOD	1X1X1	1				
701	14	19956020651	CABLE ASSY , HOOD	1X1X1	1				
701	15	15601160083	PIN , 06X16	D=6	1			20110113	
701	16	V4111600060	WASHER , PLAIN	M6	0			20081201	
701	17	V5001920020	PIN , SPLIT	2X20	0			20080401	
701	18	V2053606035	BOLT , HEX C/R	M6X35	2				
701	19	19956011004DG	FRAME(HOOD/FRONT) COMP	1X1X1	1			20060907	
701	19A	19956011004DG	FRAME(HOOD/FRONT) COMP	1X1X1	-			20060907	
701	20	V2205408016	BOLT .HEX/R	M8X16	4			20071207	
701	21	19951040132	INSULATOR , HOOD	1X1X1	1			20060101	
701	22	17136110060	INSULATOR , F	500X208*5	1			20111130	
701	23	19956301042	INSULATOR , HOOD	1X1X1	1			20060830	
701	24	19956023100DG	SIDE LOCK COMP	1X1X1	0			20090623	
701	25	17686013502	SPRING	T=1.0	2				
701	26	V2205408016	BOLT .HEX/R	M8X16	4			20071207	
701	28	V2205408016	BOLT .HEX/R	M8X16	4			20071207	
701	29	V2183610025	BOLT , HEX/SP	M10X25	2			20070725	
701	30	V2113606035	BOLT , HEX /S	M6X35	4			20090623	
701	31	35605033020	WASHER , WIRE WITHDRAWAL	T=1.6	0			20100616	
701	32	V2173608025	BOLT , HEX/S	M8X25	2			20120710	
701	33	V2514412040	BOLT , STUD/2	M12X40	2				
701	34	V4011600120	WASHER , SPRING	M12	2			20090429	
701	35	V3043600120	NUT , HEX/2	M12	2			20081124	
701	36	V2205408016	BOLT .HEX/R	M8X16	4			20071207	
701	37	19956130021	COVER(DASH)	1X1X1	1			20060425	
701	38	16996024721	INSULATOR , DASH COVER	EPDM	1				
701	39	V2193606016	BOLT , HEX/SPL	M6X16	7			20040401	
701	40	V1212608016	SCREW , C/R PAN/S	M8X16	2				
701	41	16991600080	WASHER , HOOD FRAME	M8	2			20060425	
701	42	15113282200	ROD COMP	315*22*17.4	1			20080725	
701	43	14322420010	PIN	D=8	2			20110321	
701	44	39081700200	PIN , SNAP/8	D=1.6	2			20080307	
701	45	V4111600080	WASHER , PLAIN	M8	0			20090223	
701	47	V3802600080	NUT , HEX FLANGE	M8	1			20120501	
NOTE									



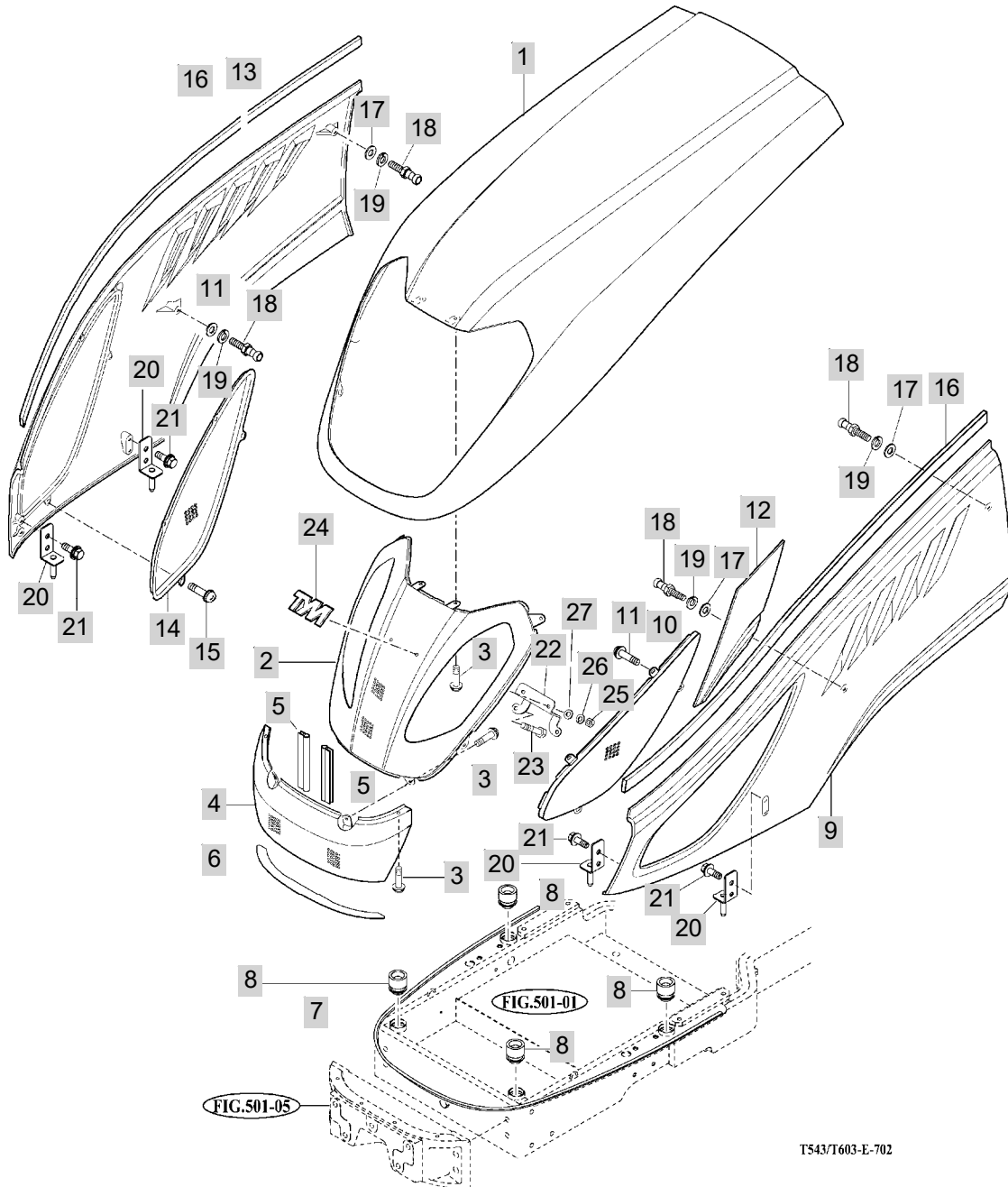
FIG 702

T603SP

BONNET (2)

년/월  
Year/Month

2020.11



T543/T603-E-702

NOTE



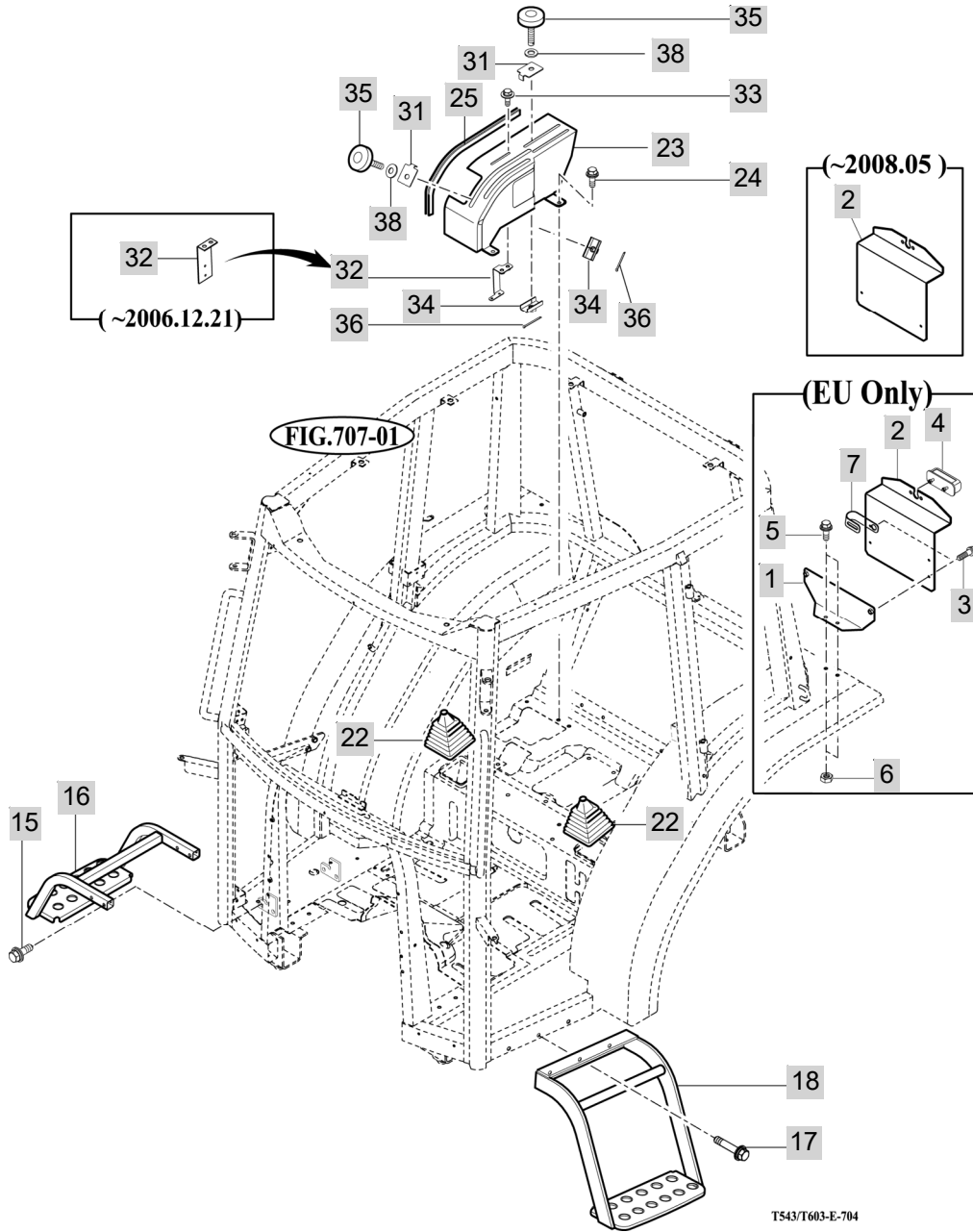
FIG 704

T603SP

LEVER COVER & STEP

년/월  
Year/Month

2020.11



NOTE





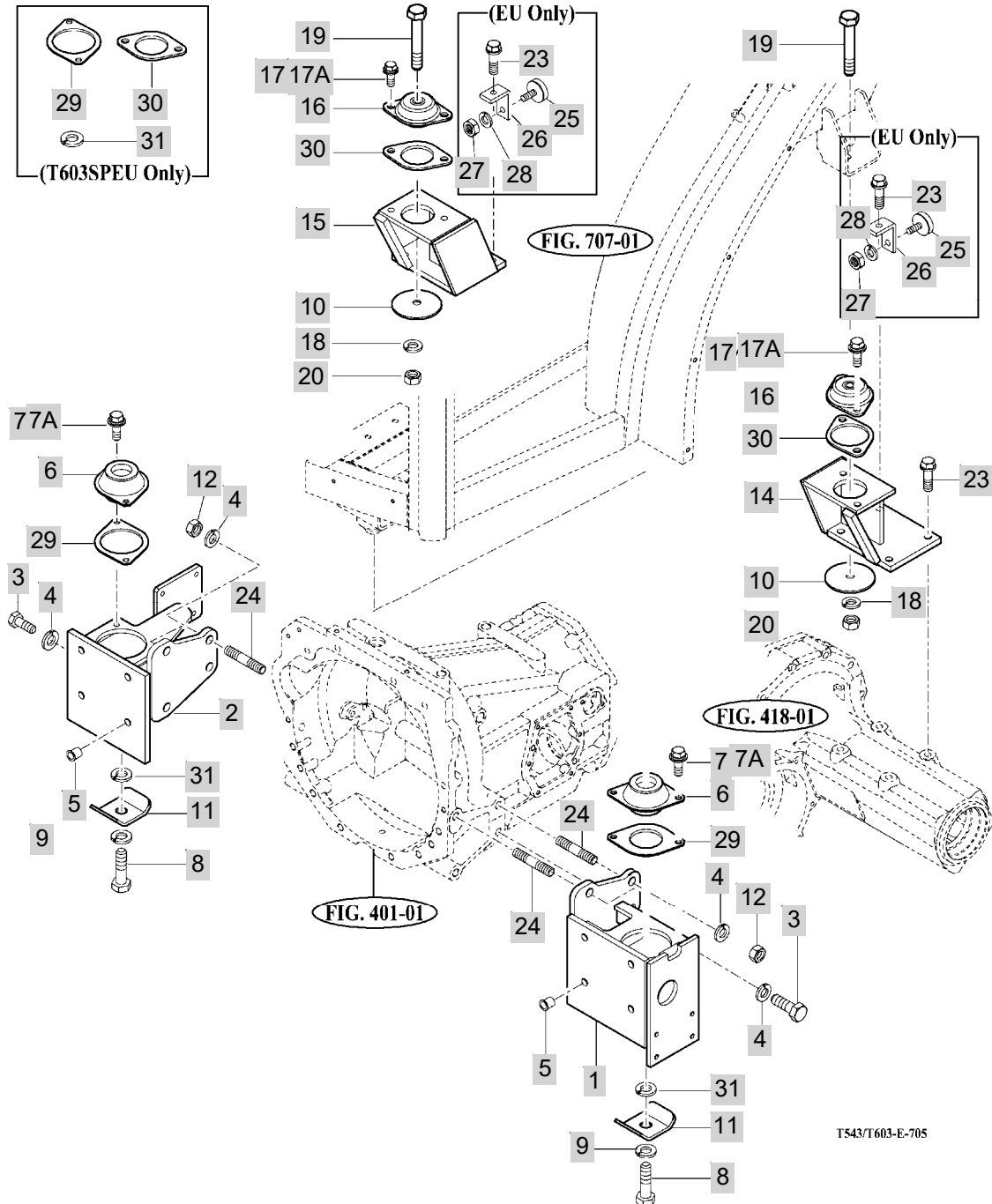
FIG 705

T603SP

FRONT & REAR MOUNTING

년/월  
Year/Month

2020.11



T543/T603-E-705

NOTE



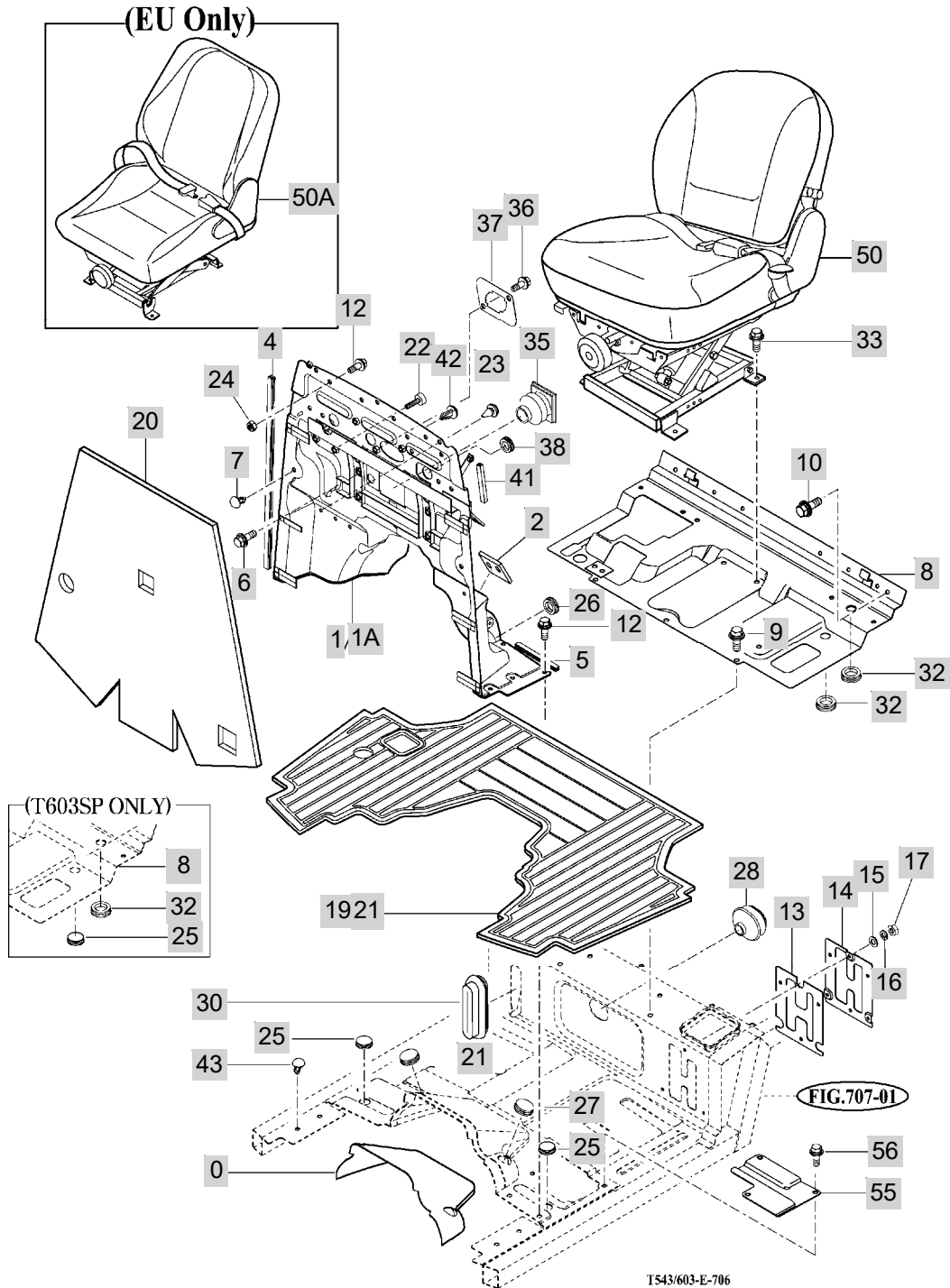
FIG 706

FLOOR & SEAT

년/월  
Year/Month

2020.11

T603SP



NOTE



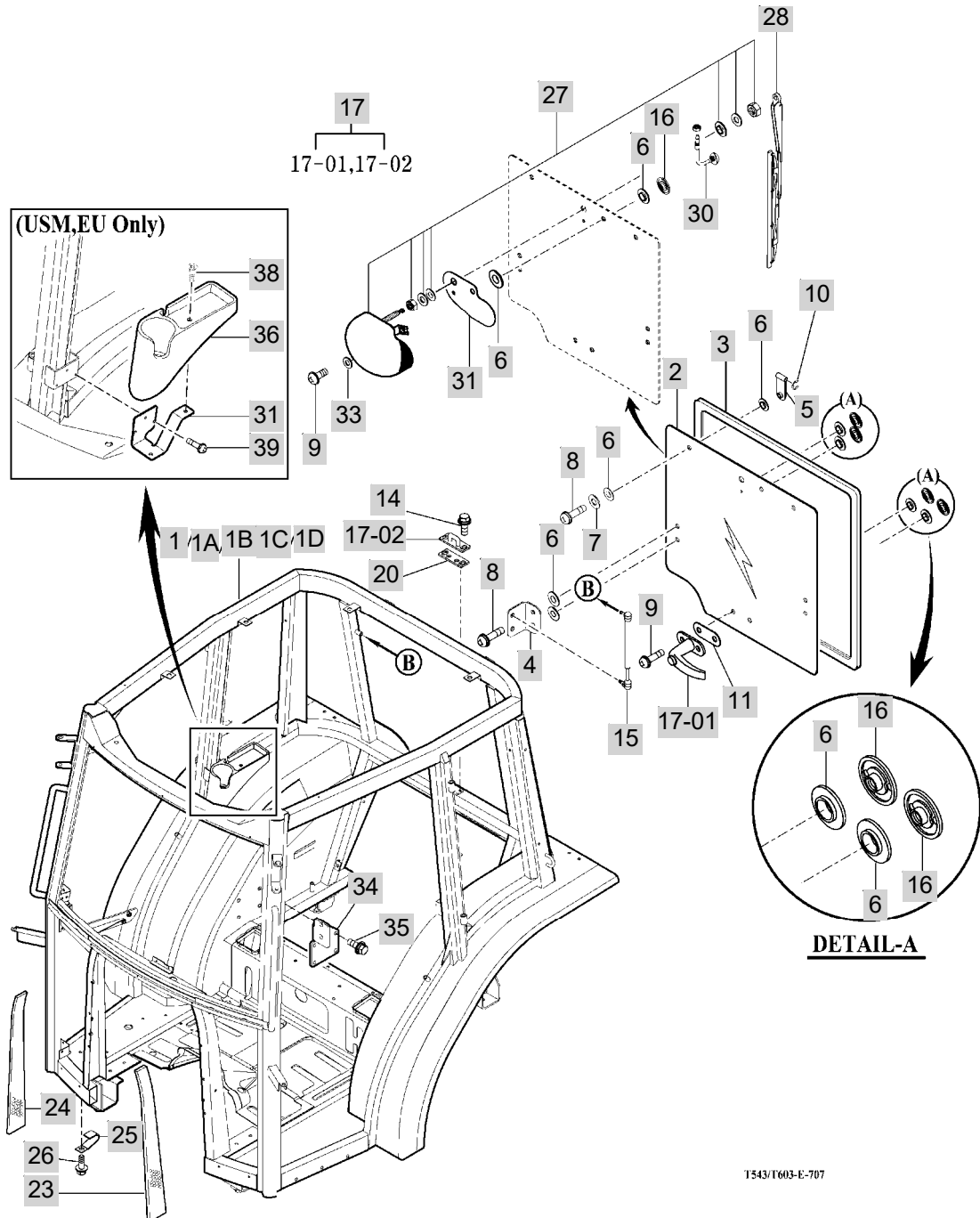
FIG 707

CAB FRAME & REAR GLASS

T603SP

년/월  
Year/Month

2020.11



NOTE



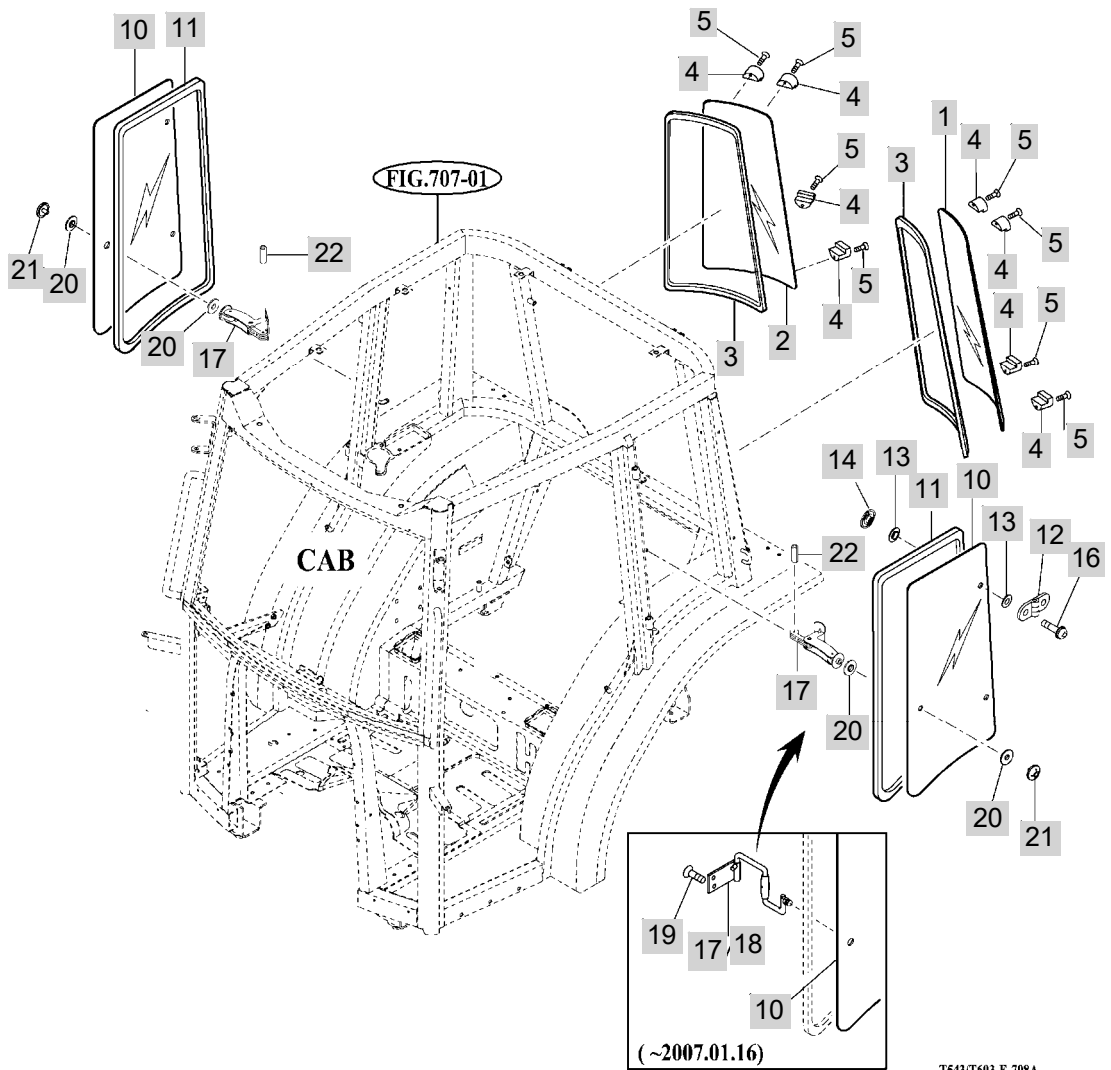
FIG 708

T603SP

SIDE GLASS

년/월  
Year/Month

2020.11



NOTE





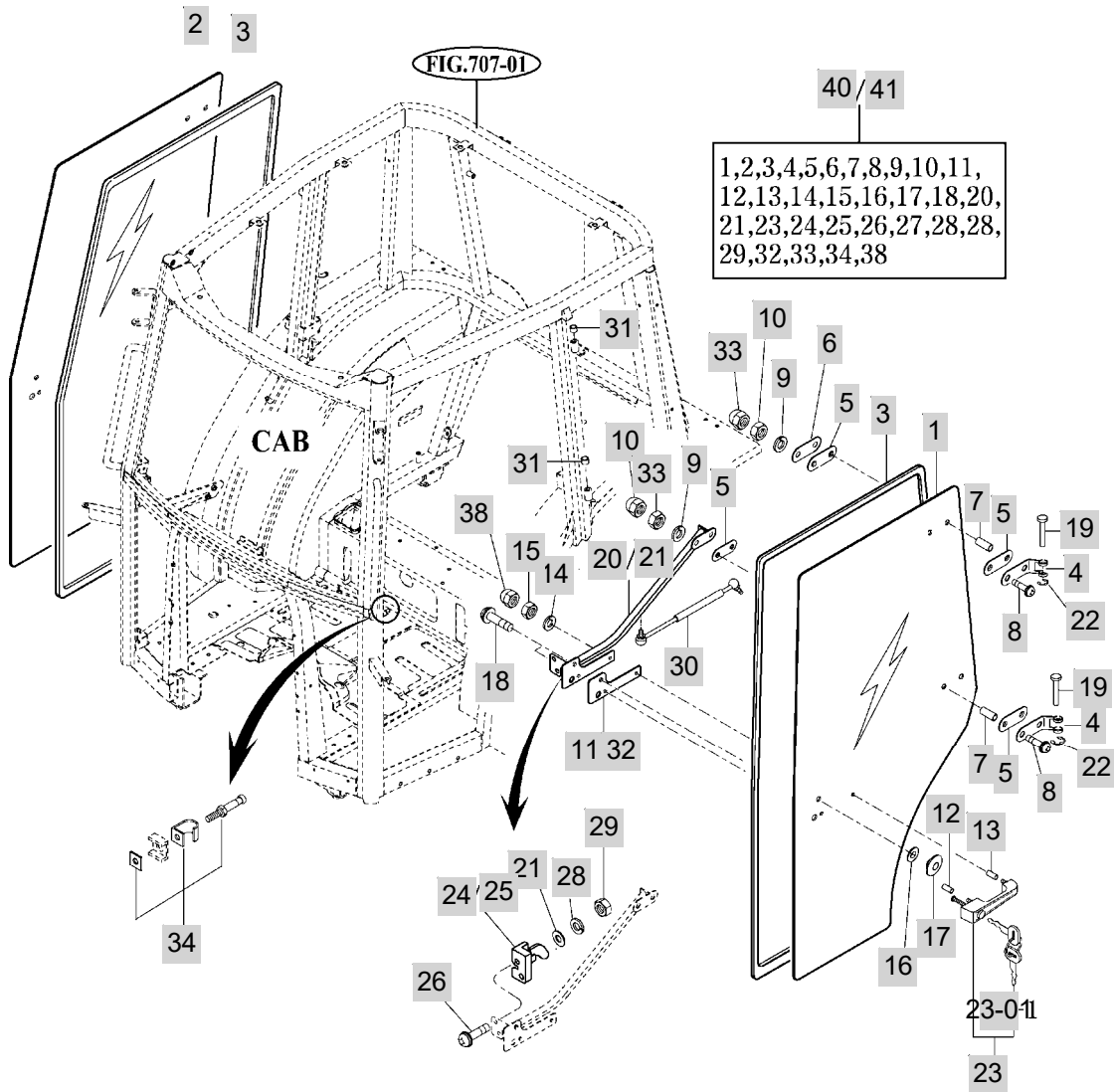
FIG 709

T603SP

DOOR

년/월  
Year/Month

2020.11



T543/T603-E-709A

NOTE



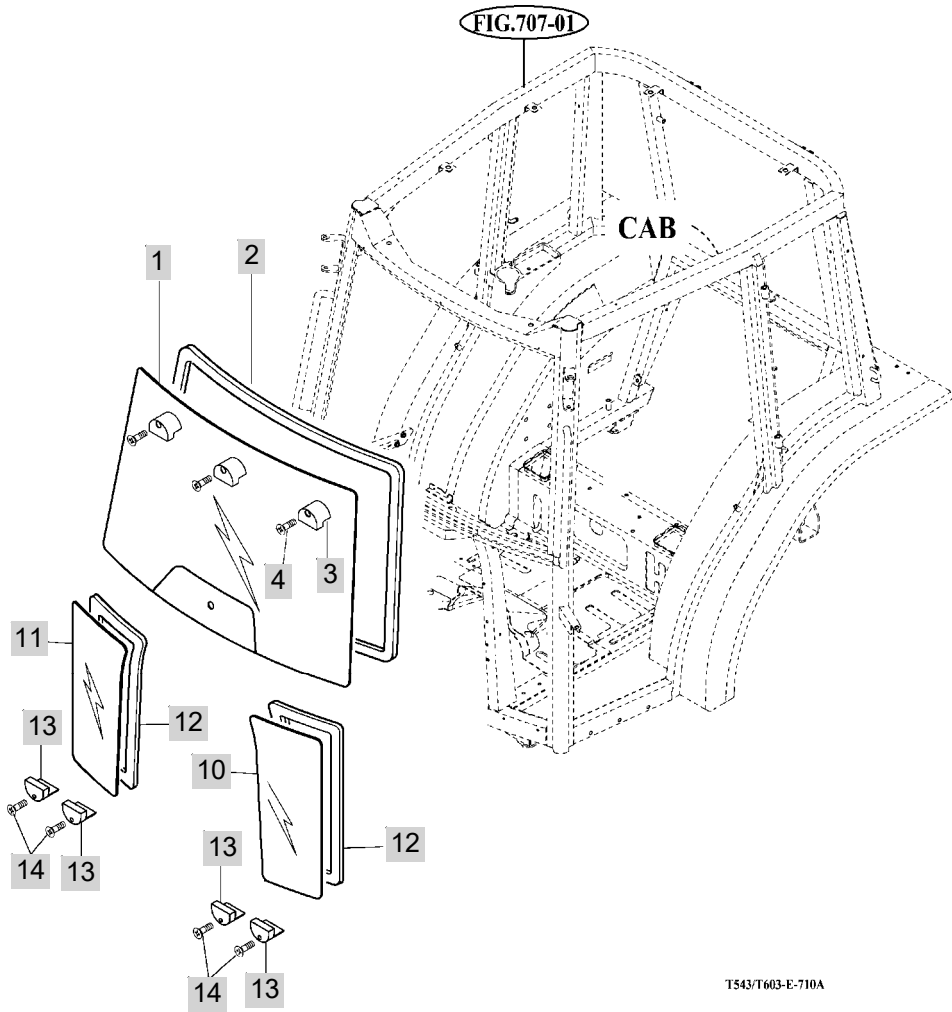
FIG 710

T603SP

FRONT GLASS

년/월  
Year/Month

2020.11



T543/T603-E-710A

NOTE



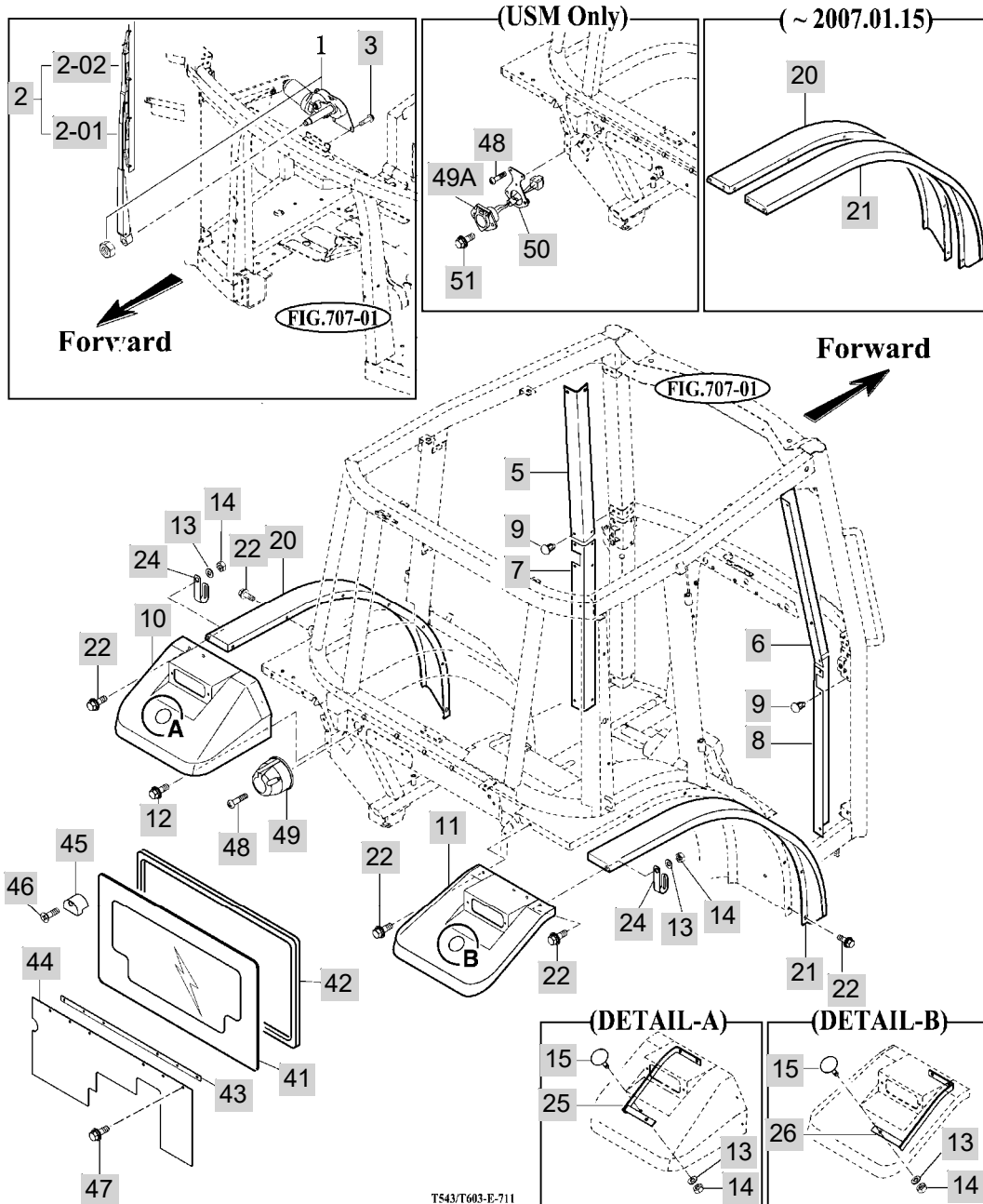
FIG 711

SUB FENDER & COVER

년/월  
Year/Month

2020.11

T603SP



T543/T603-E-711

NOTE



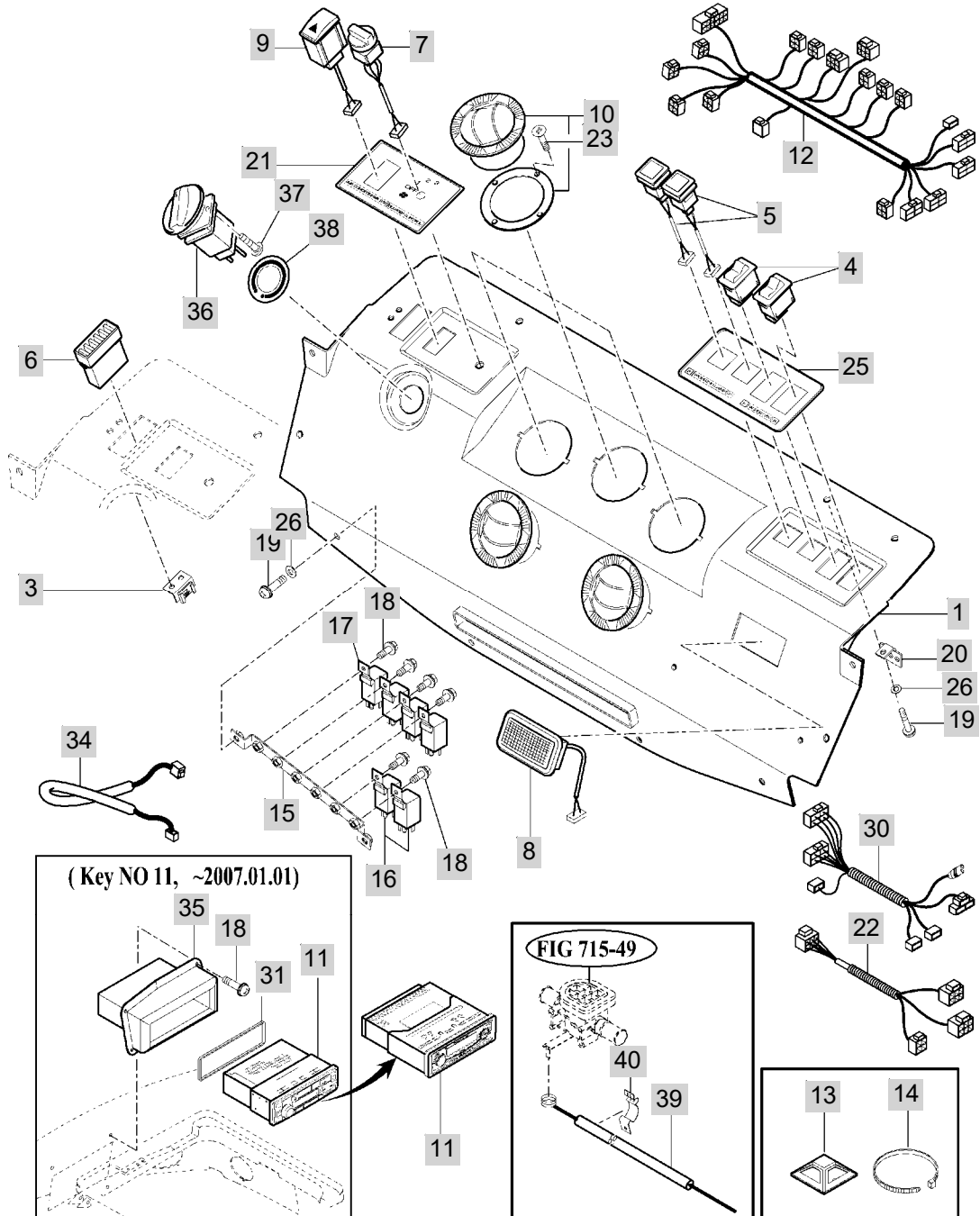
FIG 712

CONTROL COVER

년/월  
Year/Month

T603SP

2020.11



T543/T593-E-712A

NOTE





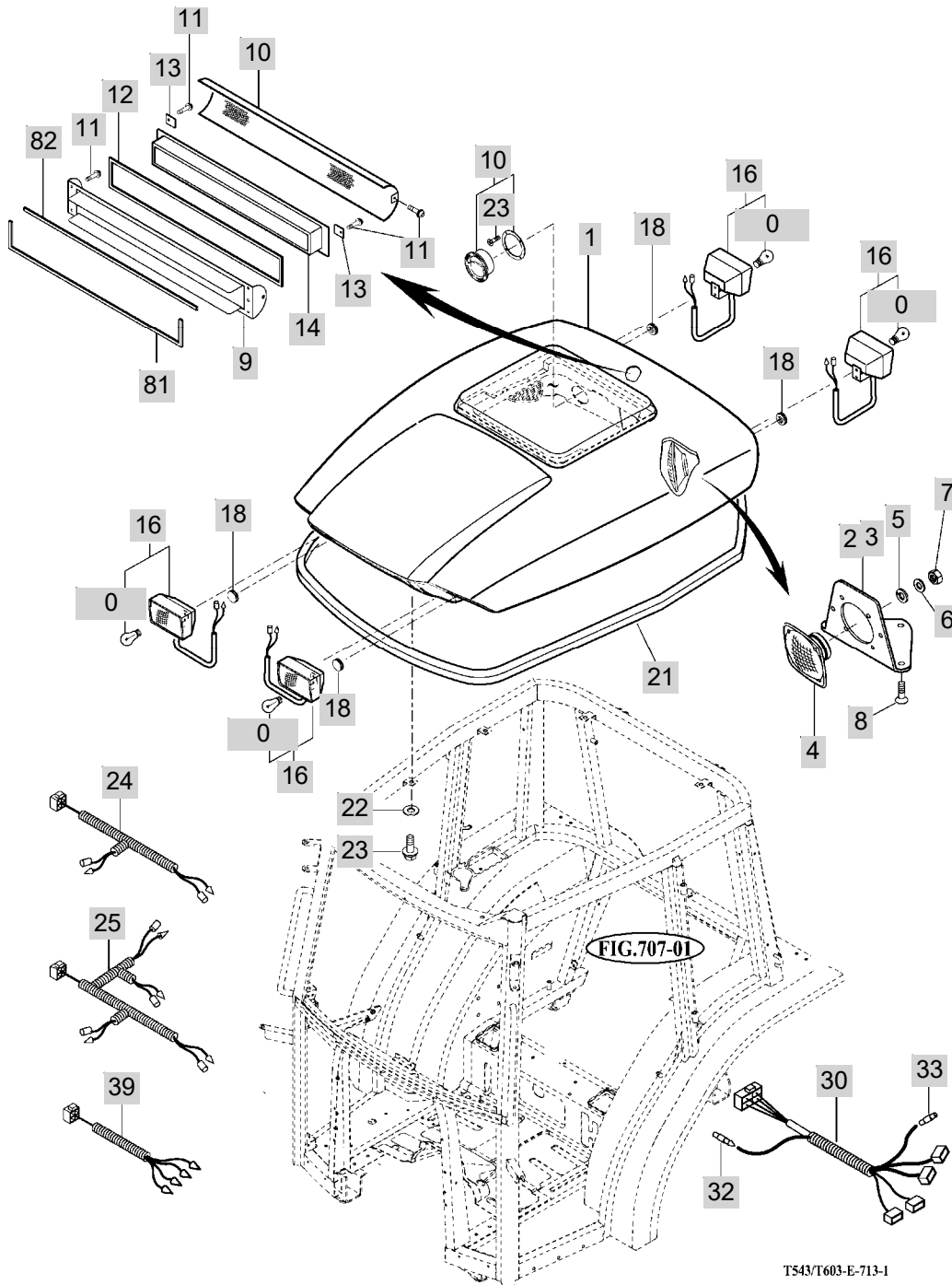
FIG 713

T603SP

ROOF

년/월  
Year/Month

2020.11



T543/T603-E-713-1

NOTE



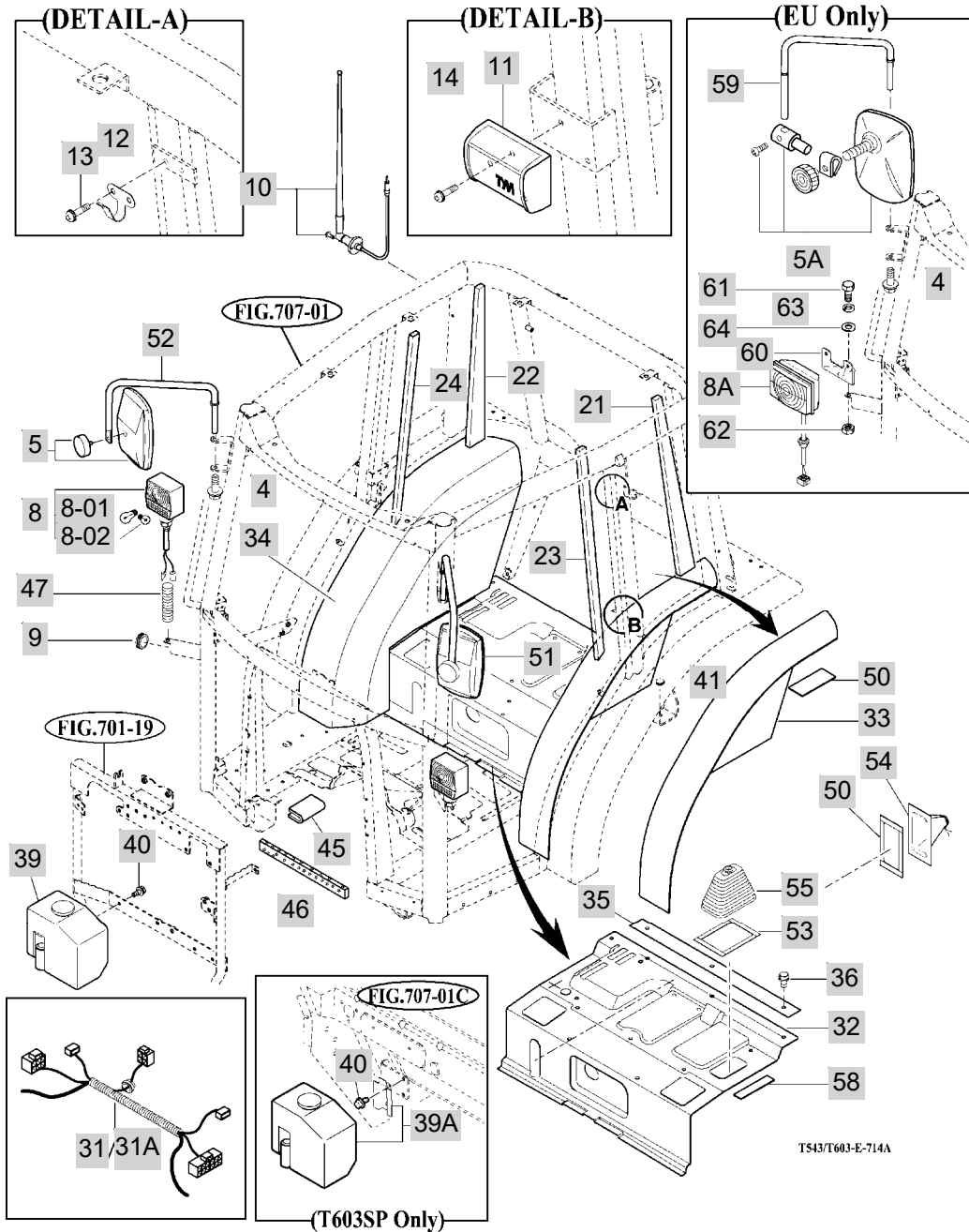
FIG 714

INTERIOR PART

년/월  
Year/Month

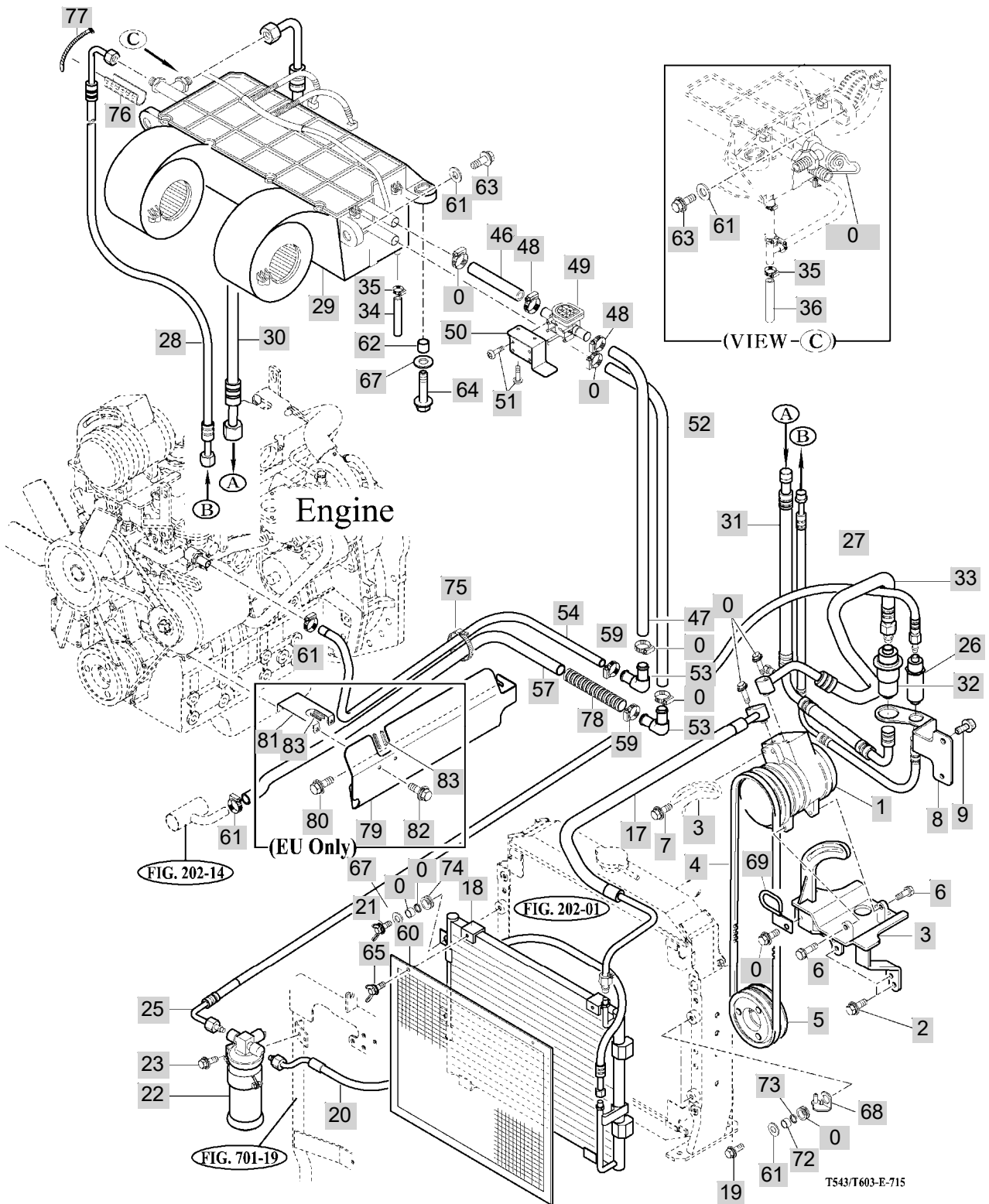
T603SP

2020.11



NOTE

FIG 714		INTERIOR PART					년/월 Year/Month		
							2020.11		
T603SP		KEY NO	PART NO	DESCRIPTION	SPEC	QTY	REPAIR	EFFECTIVE DATE	REMARKS
714	4	V2173612035	BOLT , HEX/S	M12X35	2			20081124	
714	5	17667028600	MIRROR ASSY	1X1X1	2			20060425	
714	5A	13606313000	MIRROR ASSY		1			20120510	
714	8	15666562003	LAMP ASSY , COMBINATION		2				
714	8A	15186562000	LAMP , POSITION	1X1X1	2			20080129	
714	8-01	15646542130	BULB , 12V 21W	S25.BA15S	2				
714	8-02	15666562040	BULB , 12V 5W	G18.BA15S	2				
714	9	13012060070	RUBBER ,8.5X30X5	1X1X1	2			20120105	
714	10	17977072300	ANTENNA ASSY	1X1X1	1			20071126	
714	11	16997026801	ASHTRAY ASSY		1				
714	12	16997020630	HANGER		2				
714	13	V1122604012	SCREW , C/R FLAT	M4X12	4				
714	14	V1122605016	SCREW , C/R FLAT	M5X16	3				
714	21	16997028102	WALL BOARD , LH SIDE FRAME	1X1X1	1				
714	22	16997027202	WALL BOARD , RH RR FRAME	1X1X1	1				
714	23	16997027302	WALL BOARD , LH SIDE FRAME	1X1X1	1				
714	24	16997027402	WALL BOARD , RH SIDE FRAME	1X1X1	1				
714	31	13267027600	HARNESS ASSY , CAB FRAME		1			20070823	
714	31A	13267027600	HARNESS ASSY , CAB FRAME		-			20070823	
714	32	17977013062	SEAT , FLOOR PANEL	73X77	1				
714	33	17977010670	SEAT , LH FENDER	1X1X1	1				
714	34	17977010680	SEAT , RH FENDER	1X1X1	1				
714	35	17976303830DG	PLATE	1X1X1	1				
714	36	V2113606020	BOLT , HEX /S	M6X20	3				
714	39	19957033100	TANK ASSY , 2MOTOR	1X1X1	1				
714	39A	19847033100	TANK ASSY , 2MOTOR	1X1X1	-				
714	40	V2193606016	BOLT , HEX/SPL	M6X16	7			20040401	
714	41	16606070031	CAP , 9		4				
714	45	16997021960	INSULATOR , 32		1			20111130	
714	46	16421040010	INSULATOR	1X1X1	1			20100811	
714	47	16997021881	TUBE , CORRUGATE 110	1X1X1	2				
714	50	17977011770	TAPE	38	20				
714	51	16997027801DG	STAY COMP , LH MIRROR	1X1X1	1				
714	52	16997027901DG	STAY COMP , RH MIRROR	1X1X1	1				
714	53	16997020150	TAPE SET	25	1				
714	54	16997020160	BOOT , DIFF LOCK		1				
714	55	17977020550	BOOT , PTO	7.7X8.2X13.1	1				
714	58	17977013050	DOUBLE-COATED TAPE , 600	1X1X1	1				
714	59	19947027800DG	STAY COMP , MIRROR	1X1X1	2				
714	60	19946640010DG	PLATE, LAMP	1X1X1	2				
714	61	V2014612035	BOLT , HEX	M12X35	2				
714	62	V3043600120	NUT , HEX/2	M12	2			20081124	
714	63	V4011600120	WASHER , SPRING	M12	2			20090429	
714	64	V4111600120	WASHER , PLAIN	M12	2			20050901	
NOTE									



NOTE

FIG 715		HEATER & AIR-CON					년/월 Year/Month		
							2020.11		
T603SP		KEY NO	PART NO	DESCRIPTION	SPEC	QTY	REPAIR	EFFECTIVE DATE	REMARKS
715	1	14628303200	COMPRESSOR ASSY	12.1X18.6X16.5	1				
715	2	V2205408016	BOLT .HEX/R	M8X16	4			20071207	
715	3	19955807201DG	COMPRESSOR BRACKET COMP	1X1X1	1			20070101	
715	4	19958079300	V BELT , 53A	53A	1				
715	5	238-9621	PULLEY		1				
715	6	V2173608025	BOLT , HEX/S	M8X25	1			20120710	
715	7	V2173608025	BOLT , HEX/S	M8X25	2			20120710	
715	8	19956011301DG	BRACKET COMP, COUPLING	1X1X1	1				
715	9	V2205408016	BOLT .HEX/R	M8X16	4			20071207	
715	17	19958302904	HOSE ASSY , DISCHARGE	1X1X1	1			20100210	
715	18	19958303701	CONDENSER ASSY	1X1X1	1			20060101	
715	19	V2173608025	BOLT , HEX/S	M8X25	2			20120710	
715	20	14528302300	PIPE(HOSE) ASSY	1X1X1	1			20090623	
715	21	V2712608025	BOLT , WING	M8X25	2				
715	22	14528303400	DRYER ASSY	1X1X1	1			20080602	
715	23	V2205408016	BOLT .HEX/R	M8X16	4			20071207	
715	25	19958302403	LIQ.HOSE ASSY NO2	1X1X1	1			20090623	
715	26	16998302501	COUPLING ASSY , COOLING HIGH P		1				
715	27	19958302602	LIQ.HOSE(NO3) ASSY	1X1X1	1				
715	28	16998302702	HOSE ASSY	1X1X1	1				
715	29	16998302805	EVAPORATOR ASSY		1				
715	29-01	16998303000	EXPANSION VALVE ASSY	1X1X1	1				
715	30	16998302901	HOSE , SUCTION		1				
715	31	19958303101	HOSE(SUC. NO2) ASSY	1X1X1	1				
715	32	16998303201	COUPLING ASSY , COOLING LOW PR		1				
715	33	19958302802	HOSE ASSY , SUCTION	1X1X1	1				
715	34	16998300060	HOSE , DRAIN		1				
715	35	14171020060	BAND , HOSE(14)	D=14	2			20090623	
715	36	16998300090	HOSE , RH DRAIN	1X1X1	1				
715	46	16998200110	HOSE . VALVE OUT	1X1X1	1			20050101	
715	47	16998200120	HOSE . VALVE IN	1X1X1	1				
715	48	37681850160	BAND , CLAMP(22)		0			20101027	
715	49	17688202100	VALVE ASSY , WATER	1X1X1	1			20050101	
715	50	17688202200	PLATE COMP , VALVE	1X1X1	1			20050101	
715	51	V1902604008	SCREW , TAPPING C/R PAN	M4X8	4			20050101	
715	52	16998200021	HOSE , HEATER	1X1X1	1				
715	53	17688200050	ELBOW , 90		2				
715	54	19958200040	HEATER HOSE(IN, NO1)	L=900	1				
715	57	19958200070	HEATER HOSE(OUT, NO1)	L=900	1				
715	59	14171020060	BAND , HOSE(14)	D=14	2			20090623	
715	60	16608304202DG	NET COMP , CONDENSER	1X1X1	1				
715	61	37681850160	BAND , CLAMP(22)		0			20101027	
715	62	16998201110	COLLAR , 8.5X16X25	D=16	2				
715	63	V2183608040	BOLT , HEX/SP	M8X40	2				
715	64	V2173608060	BOLT , HEX/S	M8X60	2				
NOTE									





## 8. ELECTRICALS & HARNESS PART NO. T603SP-E-C8

FIG 801 BATTERY & MOUNTING	290
FIG 802 LIGHT & BACK LAMP	292
FIG 803B INSTRUMENT PANEL	294
FIG 804 ELECTRIC SYSTEM (1)	296
FIG 805 ELECTRIC SYSTEM (2)	298
FIG 806B HARNESS (1)	300
FIG 807 HARNESS (2)	302

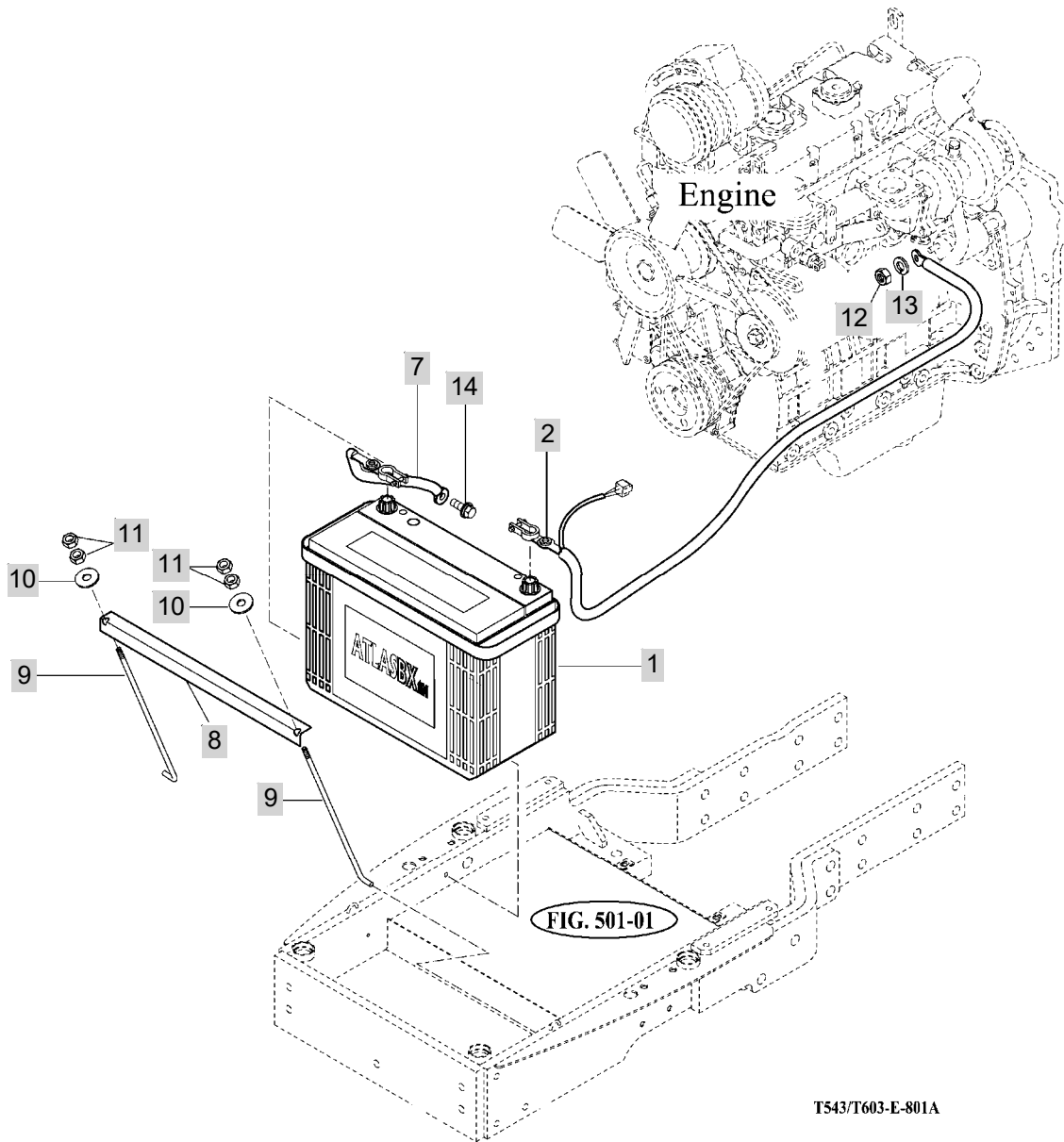
FIG 801

T603SP

BATTERY & MOUNTING

년/월  
Year/Month

2020.11



NOTE



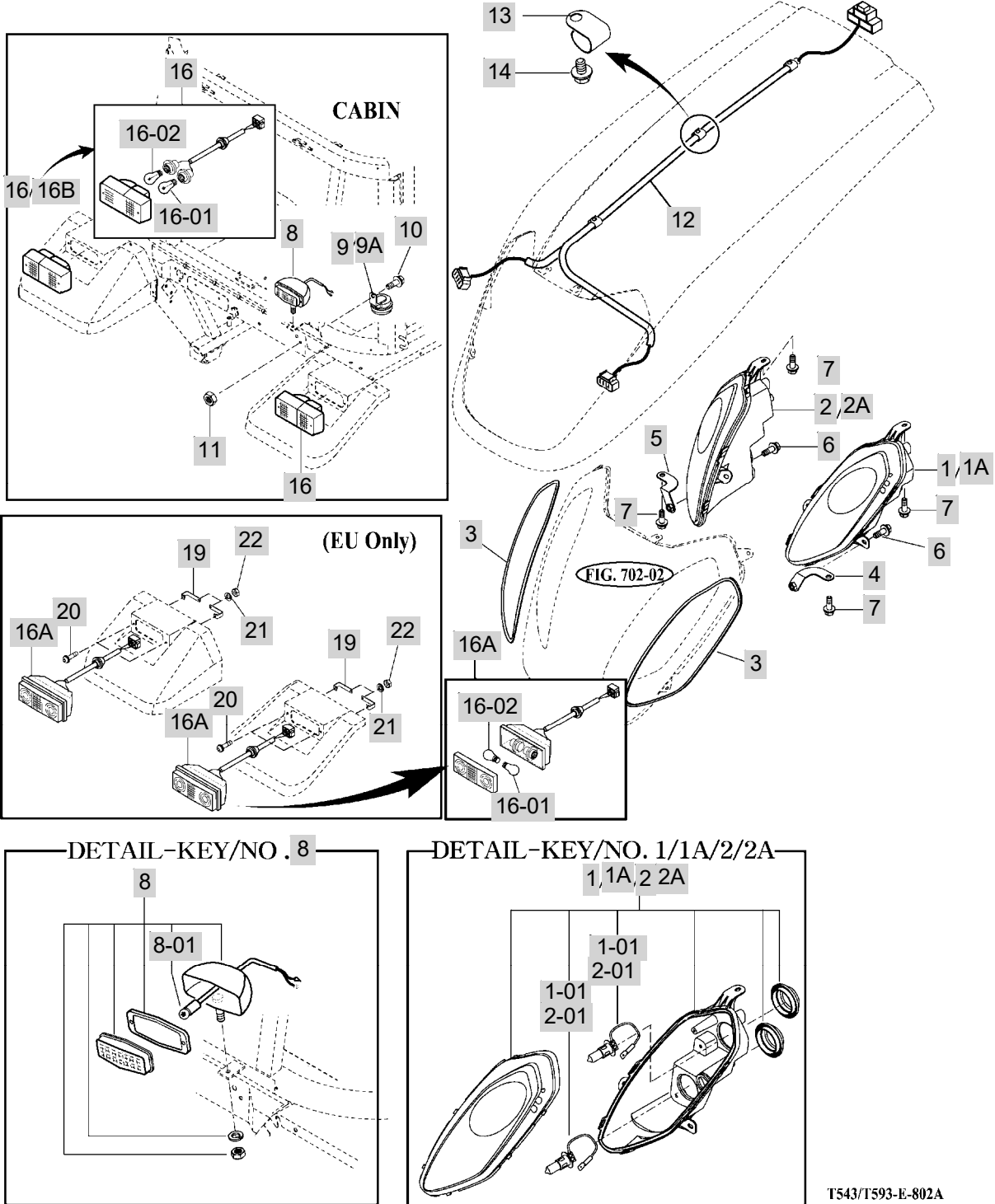
FIG 802

LIGHT & BACK LAMP

년/월  
Year/Month

2020.11

T603SP



T543/T593-E-802A

NOTE



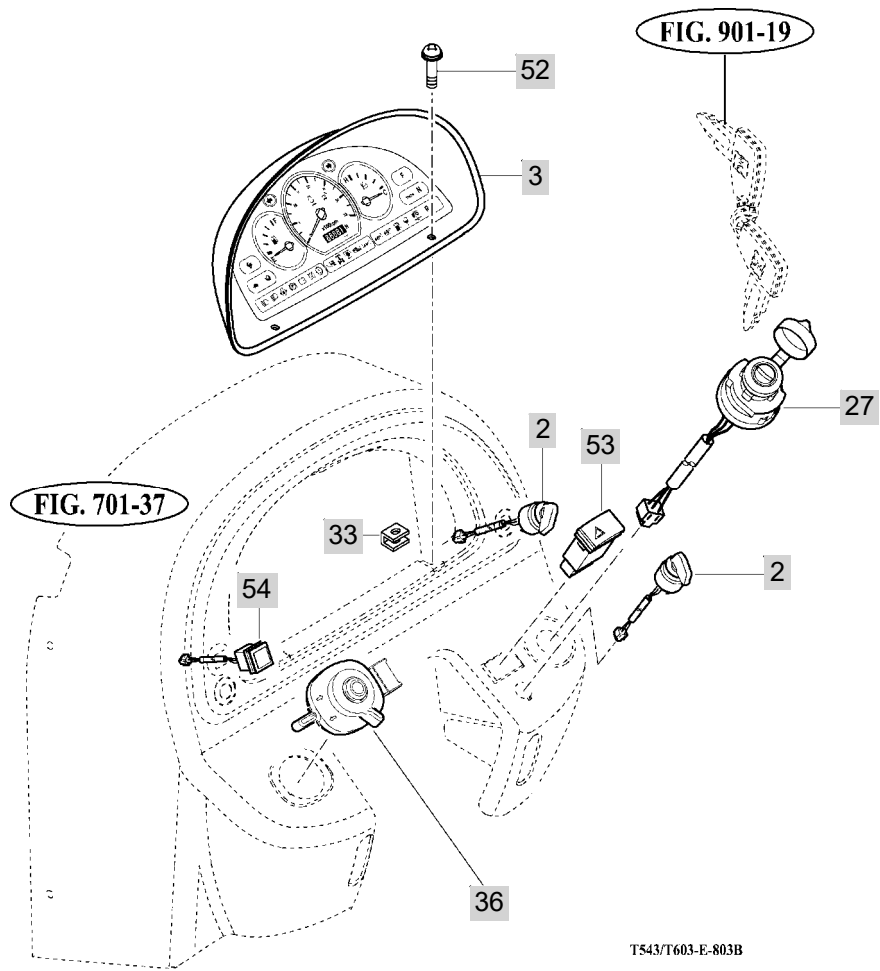
FIG 803B

T603SP

INSTRUMENT PANEL

년/월  
Year/Month

2020.11



NOTE



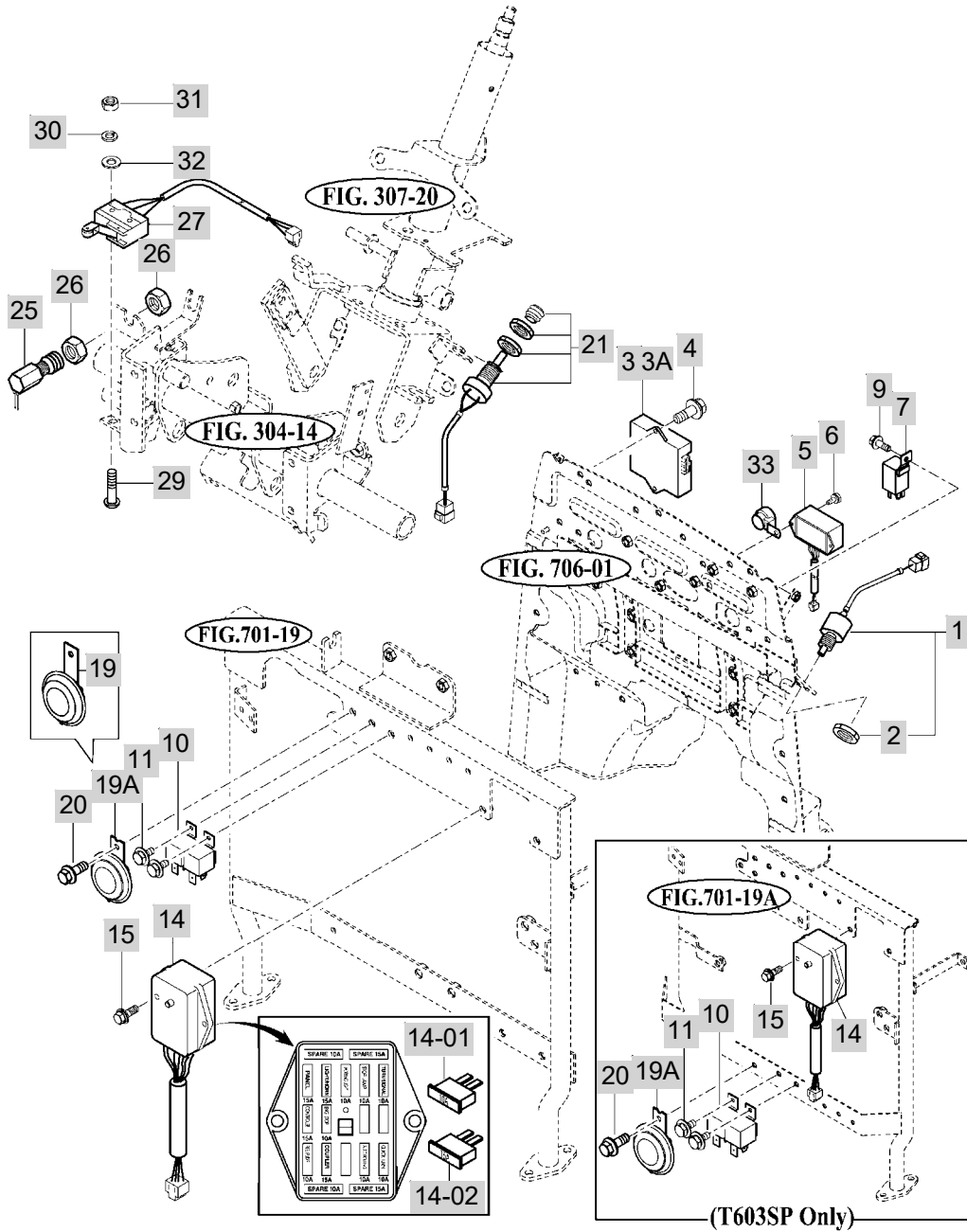
FIG 804

T603SP

ELECTRIC SYSTEM (1)

년/월  
Year/Month

2020.11



TS43/T603-E-804

NOTE





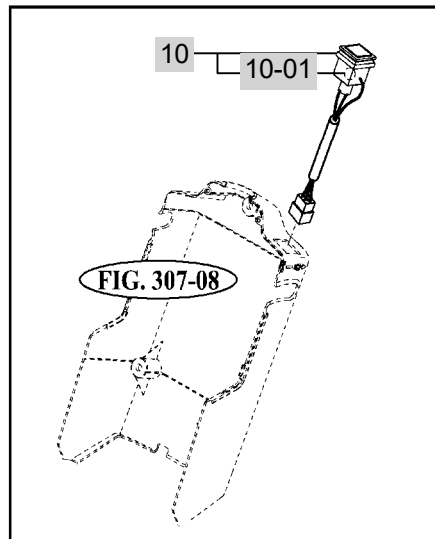
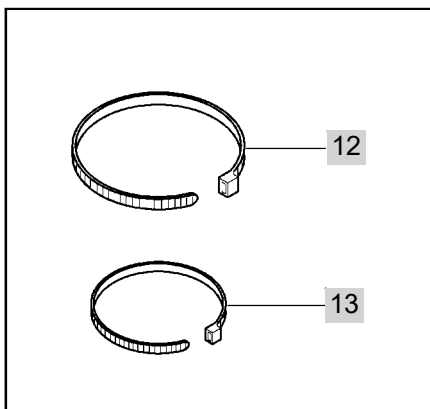
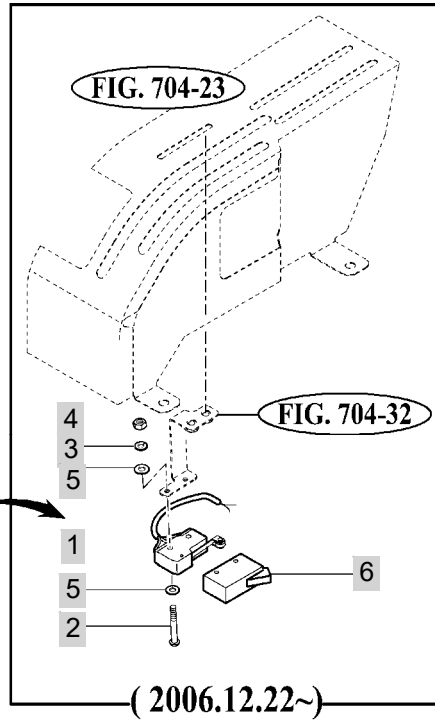
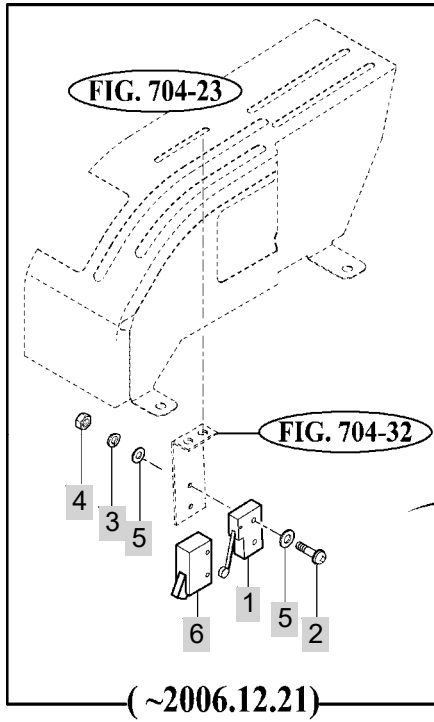
FIG 805

T603SP

ELECTRIC SYSTEM (2)

년/월  
Year/Month

2020.11



T543/T603-E-805A

NOTE



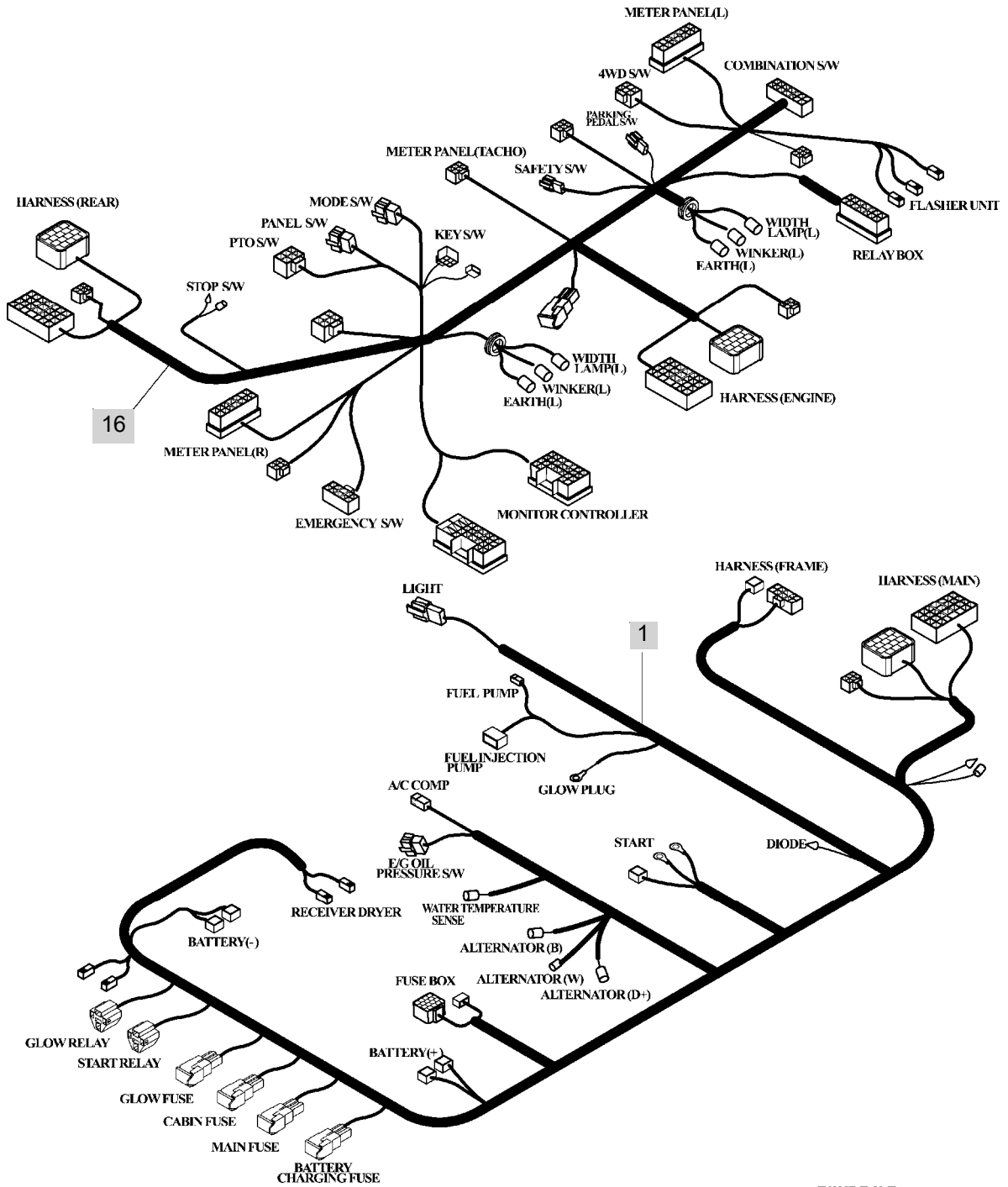
FIG 806B

HARNESS (1)

년/월  
Year/Month

T603SP

2020.11



T603SP-E-806B

NOTE



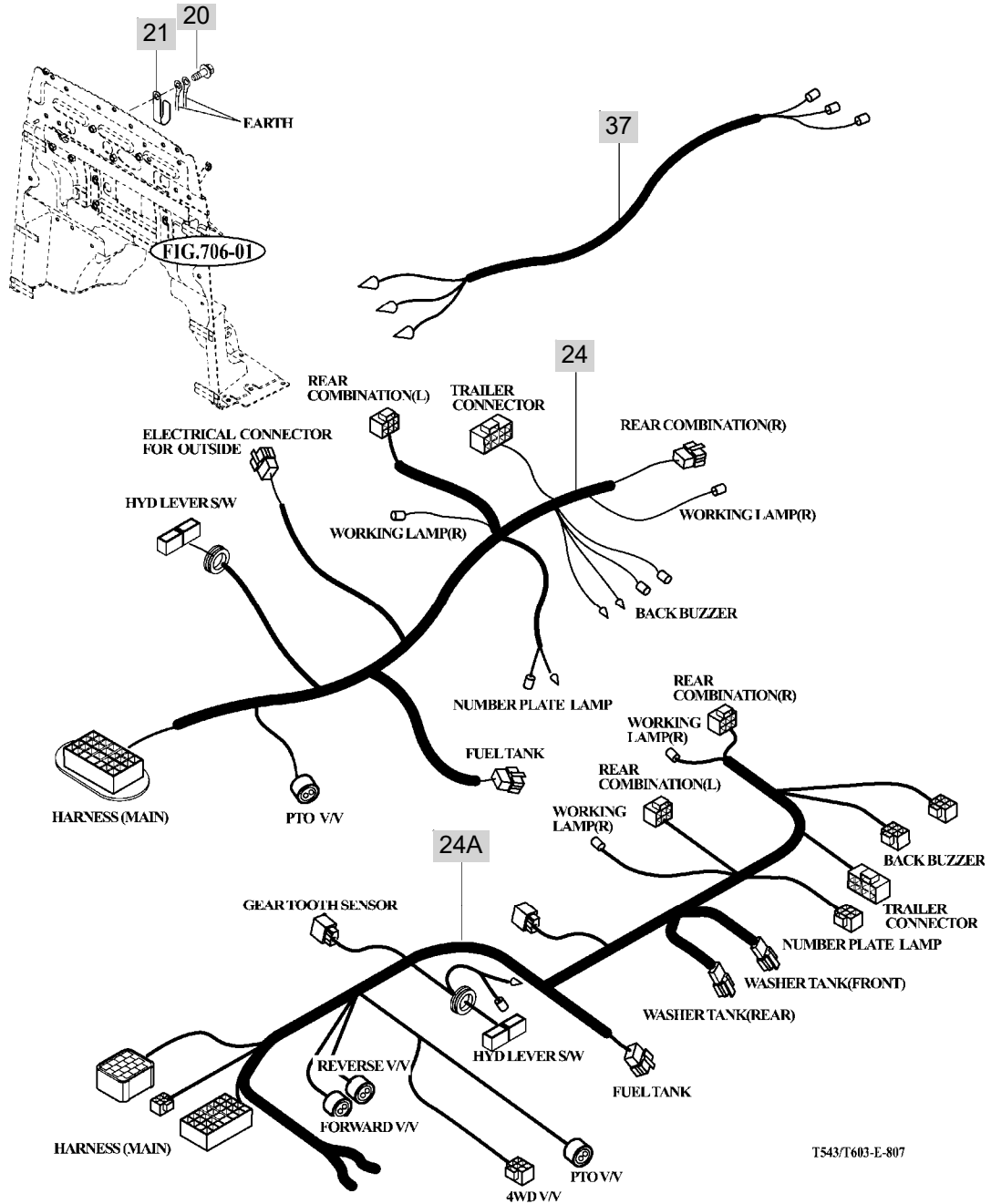
FIG 807

HARNESS (2)

년/월  
Year/Month

T603SP

2020.11



T543/T603-E-807

NOTE



## 9. WEIGHT,LABEL,TOOLS PART NO. T603SP-E-C9

FIG 901 TOOL & ACCESSORY	305
FIG 902 WEIGHT	307
FIG 903-1 LABEL	309
FIG 903-2 LABEL	312
FIG 903-3 LABEL	315



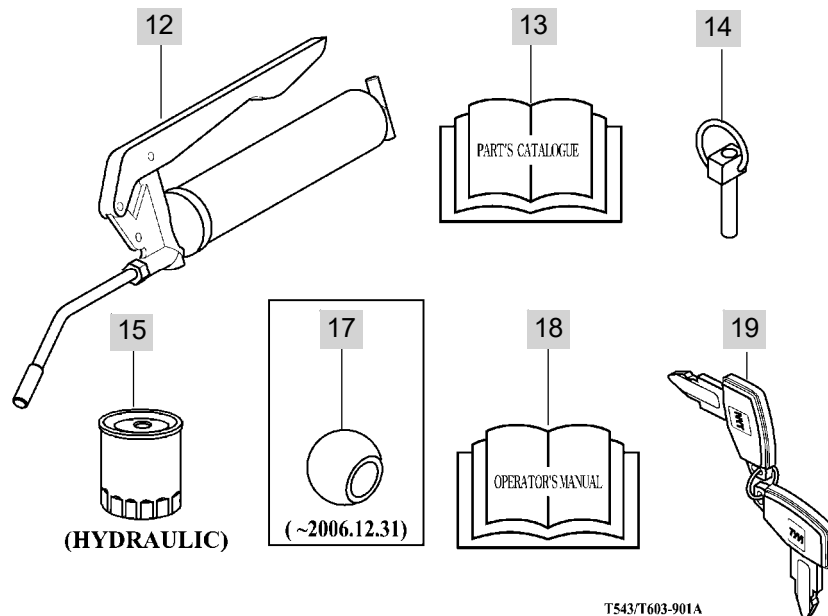
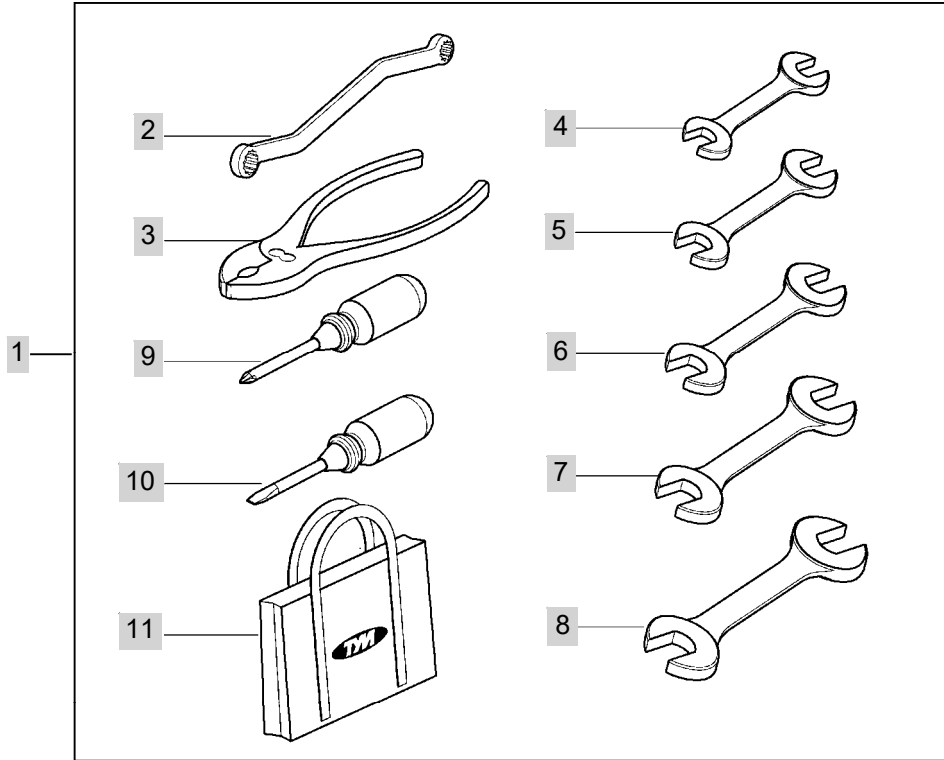
FIG 901

T603SP

TOOL & ACCESSORY

년/월  
Year/Month

2020.11



NOTE



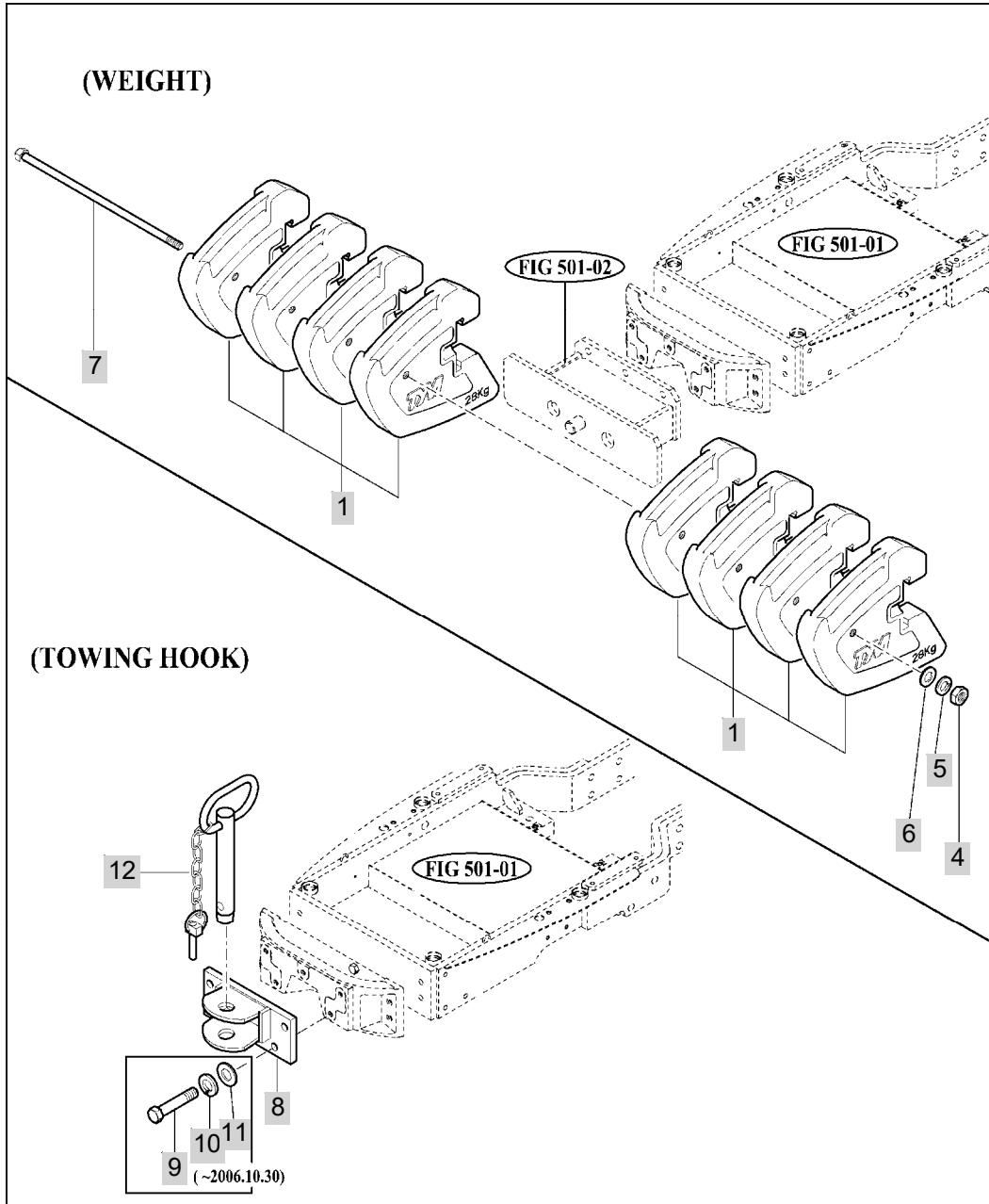
FIG 902

T603SP

WEIGHT

년/월  
Year/Month

2020.11



T543/T603-E-902

NOTE



**Inner/Outer air Ventilation**

- When grills of rear and both sides are opened, inner air will ventilate in.
- For effective use, open it when operate heater or air conditioner and close when ventilate fresh air.

100-910-128-1

**QUALITY MATTERS**

**CAUTION**

Start engine every 10 seconds. If not start. Then check the fuel system.  
Preheating time : about 5 second below -5C  
Always charge the battery sufficiently.  
Be careful not to touch the electric system by the pressure water.

**CAUTION**

Keep hands and clothing away from rotating fan and belts to prevent serious injury.

100-910-012-2

**LUBRICATION CHART**

ENGINE OIL

- CHECK THE OIL QUANTITY
- REPLACE THE OIL AFTER FIRST 50 HOURS WORKING AND EVERY 100 HOURS WORKING
- USE THE BETTER QUALITY OIL CC CLASS OF AN SERVICE CLASSIFICATION
- WINTER (0°C ~ -25°C) : SAE20
- WINTER (0°C ~ -25°C) : SAE15W OR SAE 10W/30

MISSION AND FRONT AXLE

- CHECK AND REPLACE THE SPECIFIED OIL AFTER FIRST 50 HOURS WORKING AND EVERY 100 HOURS WORKING
- PULL OUT THE AIR FROM THE OIL FILTER AND PIPE BEFORE POURING OIL
- USE OF OIL : TRANSMISSION - THF50 (GENUINE OIL)
- RECOMMENDABLE OIL : CHEVRON SYNTHETIC ALL-WEATHER TRIF (CHEVRON)
- OIL DRAIN TO LOW VIS (SHELL)
- WASH OIL BY WATER
- WASH OIL BY WATER

GREASE

- GREASE AFTER EVERY TIME WORKING IN WOODY FIELD AND EVERY 50 HOURS WORKING

**CAUTION**

Do not touch while the system is hot. It cause serious burns

100-910-024-2

**WARNING**

Do not refuel the tractor while smoking or near naked flame or sparks, always stop engine before refueling tractors.

**DANGER**

Periodic ventilation should be made to avoid suffocation while heating an air conditioning is used. Sleeping in the cab is prohibited.

100-910-011-2

**WARNING**

Work in ventilated Area.

100-910-002-2

**SPEED TABLES**

APPLICATION	REVERSE		NEUTRAL		FORWARD		DRIVE
	PLAID	PLAID	PLAID	PLAID	PLAID	PLAID	
CREEP	1	2	3	4	5	10	15
FIELD WORK	1	2	3	4	5	10	15
ROAD TRAVEL	L	M	H				
DIFF. LOCK	ON / OFF						

• The data reported in this publication are also subject to variation and consequently are not.  
• Don't work the traction, escape marsh, heavy work at creep on.

**WARNING**

Do not remove radiator cap while engine is hot. Hot steam will injure you.

100-910-015-2

**WARNING**

Stay clear of raised Boom and bucket.

100-910-016-2

**TONGYANGMOOLSAN CO., LTD.**

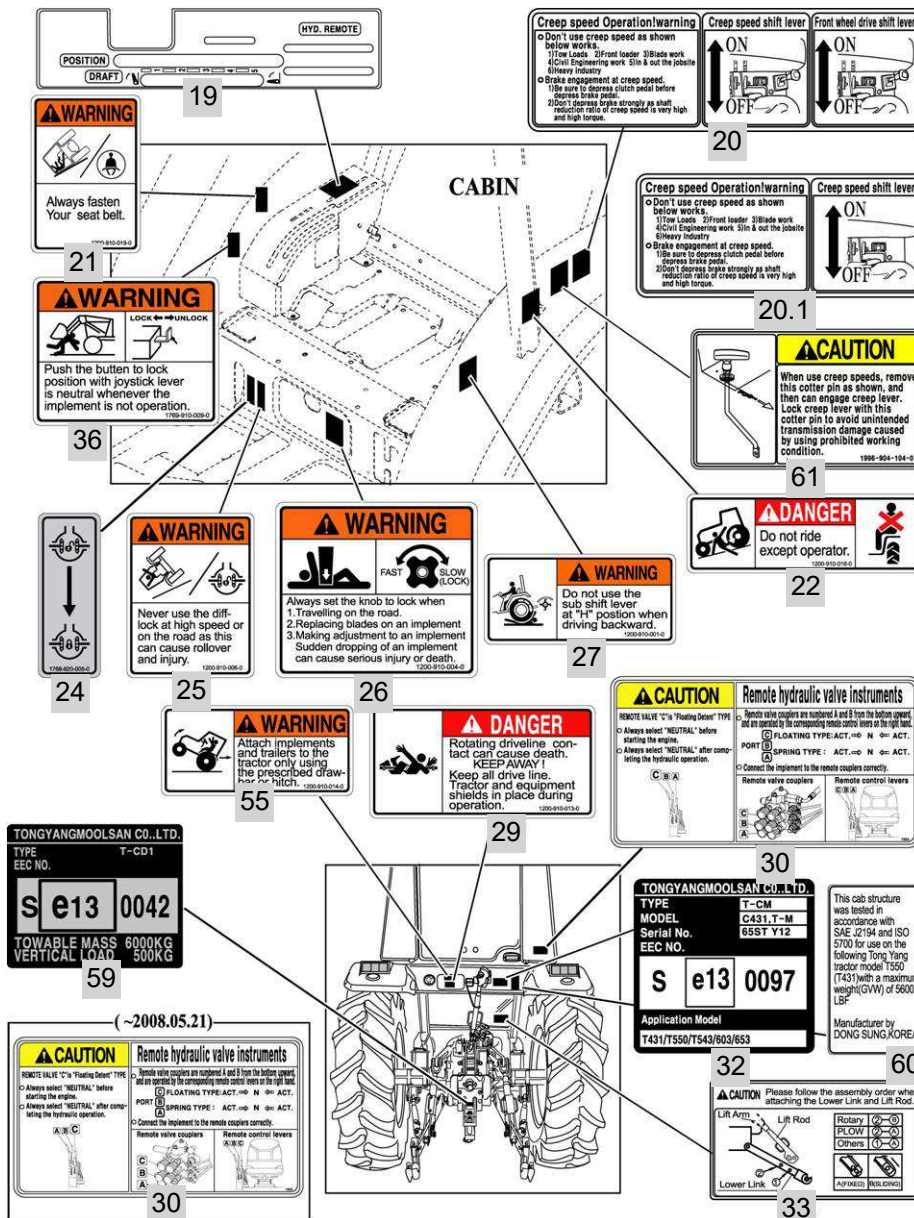
MODEL	TYPE	ENGINE	SERIAL NO.	MANUFACTURER: TONG YANG MOOLSAN CO. LTD.	ADDRESS	TEL

TYPE DESIGN	IS NUMBER	IDENTIFICATION NUMBER	TOTAL PERMISSIBLE WEIGHT	PERMISSIBLE FRONT AXLE LOAD	PERMISSIBLE REAR AXLE LOAD	PERMISSIBLE TOWABLE MASS	INDEPENDENTLY BRAKED TOWABLE MASS	NET/GRATED TOWABLE MASS	MAXIMUM TOWABLE MASS

T543/603E-903A

FIG 903-1		LABEL					년/월 Year/Month		
							2020.11		
T603SP		KEY NO	PART NO	DESCRIPTION	SPEC	QTY	REPAIR	EFFECTIVE DATE	REMARKS
903-1	1	19959010040	MARK, ORNAMENT(T603)	1X1X1	2			20060101	
903-1	1.1	19949010040	MARK, ORNAMENT(T543)	1X1X1	0			20060101	
903-1	2	19959041130	LABEL, HOOD	1X1X1	2			20090514	
903-1	3	19959100050	LABEL, CABIN ROOF	1X1X1	2				
903-1	4	12009100120	LABEL, CAUTION FAN	1X1X1	1			20060425	
903-1	5	12209041221	LABEL, VENTILATION	T=0.05	1			20060425	
903-1	6	12109040060	LABEL, CAUTION GLOW		1			20120105	
903-1	7	12009100240	LABEL, CAUTION MUFFLER	1X1X1	1			20060425	
903-1	8	17099040051	LABEL, OIL	T=0.05	1				
903-1	9	12009100050	LABEL, WARNING FIRE	1X1X1	1			20060425	
903-1	10	19959100060	LABEL, HOOD(FR)	1X1X1	1			20060101	
903-1	11	19959010030	LABEL, SPEED	1X1X1	1				
903-1	12	12009100110	LABEL, DANGER AIR CONDITIONER	1X1X1	1			20060425	
903-1	13	12009100030	LABEL, WARNING EXHAUST	1X1X1	1			20060425	
903-1	15	12009100150	LABEL, WARNING RADIATOR	1X1X1	2			20060425	
903-1	16	17699100100	LABEL, WARNING JOYSTICK		1			20060425	
903-1	17	T0019010020	LABEL, MODEL/EN	1X1X1	0				
903-1	17.1	13609040222	LABEL, MODEL ENGLISH	1X1X1	1				
903-1	19	19959040120	LABEL, CONTROL POSITION	T=0.2	1				
903-1	20	19959040250	LABEL, CREEPER/4WD	1X1X1	0			20060425	
903-1	20.1	19849040250	LABEL, CREEPER	1X1X1	1				
903-1	21	12009100190	LABEL, WARNING BELT	1X1X1	1			20060425	
903-1	22	12009100160	LABEL, DANGER RIDING	1X1X1	1			20060425	
903-1	24	17689200050	LABEL, DIFF		1			20030301	
903-1	25	12009100060	LABEL, WARNING DIFF	1X1X1	1			20060425	
903-1	26	12009100040	LABEL, WARNING STOP VALVE	1X1X1	1			20060425	
903-1	27	12009100010	LABEL, WARNING SUB SHIFTER	1X1X1	1			20060425	
903-1	29	12009100130	LABEL, DANGER PTO	1X1X1	1			20060425	
903-1	30	12005300042	LABEL, HYDRAULIC CAUTION	1X1X1	1			20080522	
903-1	32	19959045040	LABEL, CABIN	1X1X1	1				
903-1	33	12209040101	LABEL, CAUTION 3P	1X1X1	0			20030301	
903-1	34	12009100210	LABEL, WARNING THROTTLE	1X1X1	1			20060425	
903-1	35	12009100230	LABEL, CAUTION OPERATION	T=0.05	1			20060425	
903-1	36	17699100090	LABEL, WARNING JOYSTICK	1X1X1	1			20060425	
903-1	37	16509030040	LABEL, CONTROL PTO	T=0.3	1			20060425	
903-1	38	16509030050	LABEL, CONTROL THROTTLE	T=0.3	1			20060425	
903-1	39	17689100170	LABEL, CAUTION SAFETY		1			20060301	
903-1	42	12009100020	LABEL, WARNING PARKING	1X1X1	1			20060425	
903-1	43	12009100080	LABEL, WARNING TILTING	1X1X1	1			20120105	
903-1	44	12009100070	LABEL, WARNING BRAKE	1X1X1	1			20120105	
903-1	45	12209040150	LABEL, CAUTION STARTER	T=0.05	1			20120105	
903-1	46	13609040180	LABEL, CONTROL ID		1				
903-1	47	19959040961	LABEL, KEY		1				
903-1	49	12109040260	LABEL, CONTROL PTO	1X1X1	1			20060425	
903-1	51	17689030080	LABEL, PORT C		1			20060425	
NOTE									





NOTE



FIG 903-2		LABEL					년/월 Year/Month		
							2020.11		
T603SP		KEY NO	PART NO	DESCRIPTION	SPEC	QTY	REPAIR	EFFECTIVE DATE	REMARKS
903-2	1	19959010040	MARK, ORNAMENT(T603)	1X1X1	2			20060101	
903-2	1.1	19949010040	MARK, ORNAMENT(T543)	1X1X1	0			20060101	
903-2	2	19959041130	LABEL, HOOD	1X1X1	2			20090514	
903-2	3	19959100050	LABEL, CABIN ROOF	1X1X1	2				
903-2	4	12009100120	LABEL, CAUTION FAN	1X1X1	1			20060425	
903-2	5	12209041221	LABEL, VENTILATION	T=0.05	1			20060425	
903-2	6	12109040060	LABEL, CAUTION GLOW		1			20120105	
903-2	7	12009100240	LABEL, CAUTION MUFFLER	1X1X1	1			20060425	
903-2	8	17099040051	LABEL, OIL	T=0.05	1				
903-2	9	12009100050	LABEL, WARNING FIRE	1X1X1	1			20060425	
903-2	10	19959100060	LABEL, HOOD(FR)	1X1X1	1			20060101	
903-2	11	19959010030	LABEL, SPEED	1X1X1	1				
903-2	12	12009100110	LABEL, DANGER AIR CONDITIONER	1X1X1	1			20060425	
903-2	13	12009100030	LABEL, WARNING EXHAUST	1X1X1	1			20060425	
903-2	15	12009100150	LABEL, WARNING RADIATOR	1X1X1	2			20060425	
903-2	16	17699100100	LABEL, WARNING JOYSTICK		1			20060425	
903-2	17	T0019010020	LABEL, MODEL/EN	1X1X1	0				
903-2	17.1	13609040222	LABEL, MODEL ENGLISH	1X1X1	1				
903-2	19	19959040120	LABEL, CONTROL POSITION	T=0.2	1				
903-2	20	19959040250	LABEL, CREEPER/4WD	1X1X1	0			20060425	
903-2	20.1	19849040250	LABEL, CREEPER	1X1X1	1				
903-2	21	12009100190	LABEL, WARNING BELT	1X1X1	1			20060425	
903-2	22	12009100160	LABEL, DANGER RIDING	1X1X1	1			20060425	
903-2	24	17689200050	LABEL, DIFF		1			20030301	
903-2	25	12009100060	LABEL, WARNING DIFF	1X1X1	1			20060425	
903-2	26	12009100040	LABEL, WARNING STOP VALVE	1X1X1	1			20060425	
903-2	27	12009100010	LABEL, WARNING SUB SHIFTER	1X1X1	1			20060425	
903-2	29	12009100130	LABEL, DANGER PTO	1X1X1	1			20060425	
903-2	30	12005300042	LABEL, HYDRAULIC CAUTION	1X1X1	1			20080522	
903-2	32	19959045040	LABEL, CABIN	1X1X1	1				
903-2	33	12209040101	LABEL, CAUTION 3P	1X1X1	0			20030301	
903-2	34	12009100210	LABEL, WARNING THROTTLE	1X1X1	1			20060425	
903-2	35	12009100230	LABEL, CAUTION OPERATION	T=0.05	1			20060425	
903-2	36	17699100090	LABEL, WARNING JOYSTICK	1X1X1	1			20060425	
903-2	37	16509030040	LABEL, CONTROL PTO	T=0.3	1			20060425	
903-2	38	16509030050	LABEL, CONTROL THROTTLE	T=0.3	1			20060425	
903-2	39	17689100170	LABEL, CAUTION SAFETY		1			20060301	
903-2	42	12009100020	LABEL, WARNING PARKING	1X1X1	1			20060425	
903-2	43	12009100080	LABEL, WARNING TILTING	1X1X1	1			20120105	
903-2	44	12009100070	LABEL, WARNING BRAKE	1X1X1	1			20120105	
903-2	45	12209040150	LABEL, CAUTION STARTER	T=0.05	1			20120105	
903-2	46	13609040180	LABEL, CONTROL ID		1				
903-2	47	19959040961	LABEL, KEY		1				
903-2	49	12109040260	LABEL, CONTROL PTO	1X1X1	1			20060425	
903-2	51	17689030080	LABEL, PORT C		1			20060425	
NOTE									



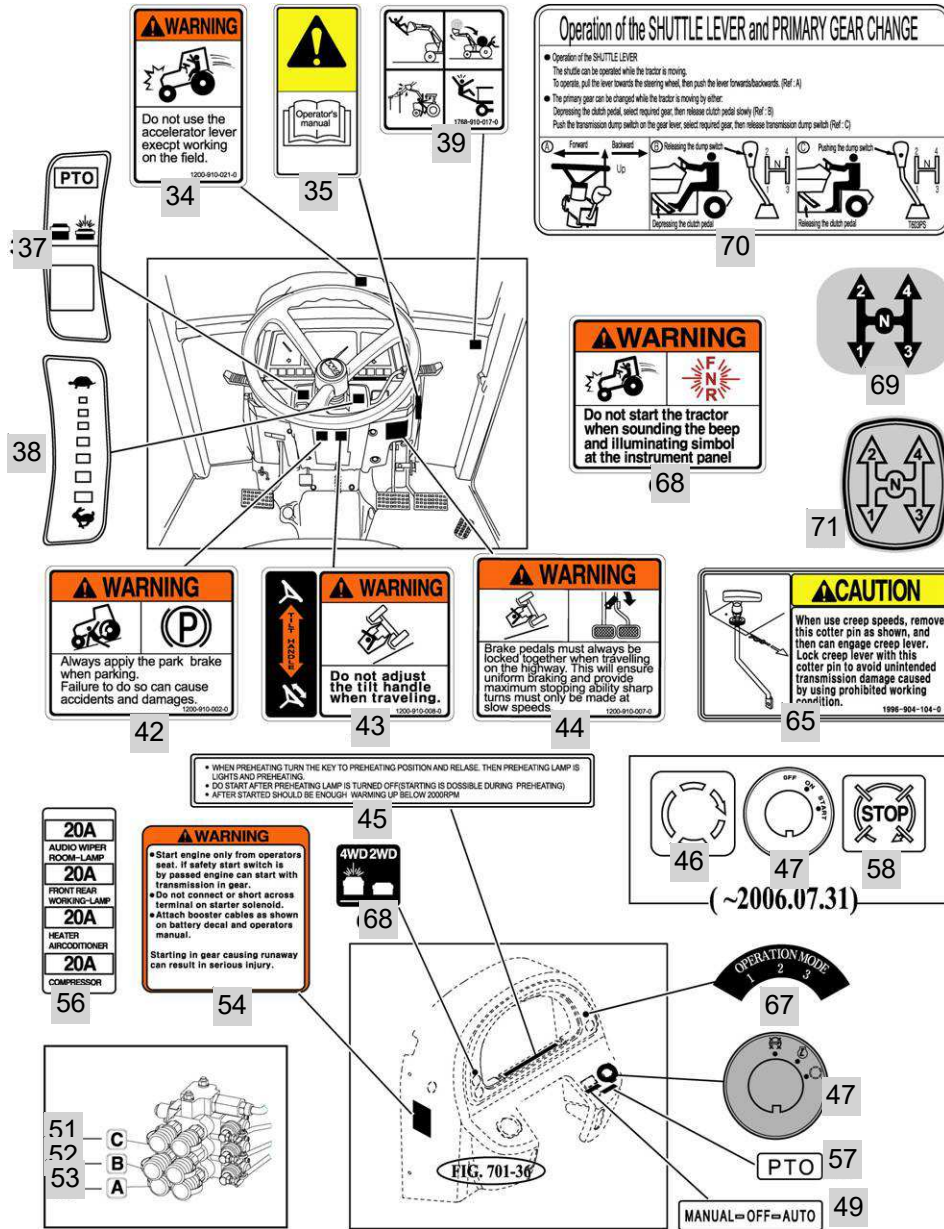
FIG 903-3

T603SP

LABEL

년/월  
Year/Month

2020.11



NOTE

FIG 903-3		LABEL					년/월 Year/Month		
							2020.11		
T603SP		KEY NO	PART NO	DESCRIPTION	SPEC	QTY	REPAIR	EFFECTIVE DATE	REMARKS
903-3	1	19959010040	MARK, ORNAMENT(T603)	1X1X1	2			20060101	
903-3	1.1	19949010040	MARK, ORNAMENT(T543)	1X1X1	0			20060101	
903-3	2	19959041130	LABEL, HOOD	1X1X1	2			20090514	
903-3	3	19959100050	LABEL, CABIN ROOF	1X1X1	2				
903-3	4	12009100120	LABEL, CAUTION FAN	1X1X1	1			20060425	
903-3	5	12209041221	LABEL, VENTILATION	T=0.05	1			20060425	
903-3	6	12109040060	LABEL, CAUTION GLOW		1			20120105	
903-3	7	12009100240	LABEL, CAUTION MUFFLER	1X1X1	1			20060425	
903-3	8	17099040051	LABEL, OIL	T=0.05	1				
903-3	9	12009100050	LABEL, WARNING FIRE	1X1X1	1			20060425	
903-3	10	19959100060	LABEL, HOOD(FR)	1X1X1	1			20060101	
903-3	11	19959010030	LABEL, SPEED	1X1X1	1				
903-3	12	12009100110	LABEL, DANGER AIR CONDITIONER	1X1X1	1			20060425	
903-3	13	12009100030	LABEL, WARNING EXHAUST	1X1X1	1			20060425	
903-3	15	12009100150	LABEL, WARNING RADIATOR	1X1X1	2			20060425	
903-3	16	17699100100	LABEL, WARNING JOYSTICK		1			20060425	
903-3	17	T0019010020	LABEL, MODEL/EN	1X1X1	0				
903-3	17.1	13609040222	LABEL, MODEL ENGLISH	1X1X1	1				
903-3	19	19959040120	LABEL, CONTROL POSITION	T=0.2	1				
903-3	20	19959040250	LABEL, CREEPER/4WD	1X1X1	0			20060425	
903-3	20.1	19849040250	LABEL, CREEPER	1X1X1	1				
903-3	21	12009100190	LABEL, WARNING BELT	1X1X1	1			20060425	
903-3	22	12009100160	LABEL, DANGER RIDING	1X1X1	1			20060425	
903-3	24	17689200050	LABEL, DIFF		1			20030301	
903-3	25	12009100060	LABEL, WARNING DIFF	1X1X1	1			20060425	
903-3	26	12009100040	LABEL, WARNING STOP VALVE	1X1X1	1			20060425	
903-3	27	12009100010	LABEL, WARNING SUB SHIFTER	1X1X1	1			20060425	
903-3	29	12009100130	LABEL, DANGER PTO	1X1X1	1			20060425	
903-3	30	12005300042	LABEL, HYDRAULIC CAUTION	1X1X1	1			20080522	
903-3	32	19959045040	LABEL, CABIN	1X1X1	1				
903-3	33	12209040101	LABEL, CAUTION 3P	1X1X1	0			20030301	
903-3	34	12009100210	LABEL, WARNING THROTTLE	1X1X1	1			20060425	
903-3	35	12009100230	LABEL, CAUTION OPERATION	T=0.05	1			20060425	
903-3	36	17699100090	LABEL, WARNING JOYSTICK	1X1X1	1			20060425	
903-3	37	16509030040	LABEL, CONTROL PTO	T=0.3	1			20060425	
903-3	38	16509030050	LABEL, CONTROL THROTTLE	T=0.3	1			20060425	
903-3	39	17689100170	LABEL, CAUTION SAFETY		1			20060301	
903-3	42	12009100020	LABEL, WARNING PARKING	1X1X1	1			20060425	
903-3	43	12009100080	LABEL, WARNING TILTING	1X1X1	1			20120105	
903-3	44	12009100070	LABEL, WARNING BRAKE	1X1X1	1			20120105	
903-3	45	12209040150	LABEL, CAUTION STARTER	T=0.05	1			20120105	
903-3	46	13609040180	LABEL, CONTROL ID		1				
903-3	47	19959040961	LABEL, KEY		1				
903-3	49	12109040260	LABEL, CONTROL PTO	1X1X1	1			20060425	
903-3	51	17689030080	LABEL, PORT C		1			20060425	
NOTE									

