

T503NC

Parts Catalog

목 차

1. ENGINE GN65914U PART NO. GN65914U

FIG 101 CYLINDER BLOCK ASSEMBLY	9
FIG 101-1 CYLINDER BLOCK ASSEMBLY	11
FIG 102 Crankshaft, Pistons & Connecting Rods	13
FIG 102-1 Crankshaft, Pistons & Connecting Rods	15
FIG 103 Rear End Oil Seal	17
FIG 104 Cylinder Head	19
FIG 104-1 Cylinder Head	21
FIG 104-2 Cylinder Head	23
FIG 105 Rocker Shaft Assembly	25
FIG 106 Oil Pump	27
FIG 107 Pipes	29
FIG 108 Relief Valve	31
FIG 109 Timing Case	33
FIG 109-1 Timing Case	35
FIG 109-2 Timing Case	37
FIG 109-3 Timing Case	39
FIG 109-4 Timing Case	41
FIG 110 Miscellaneous	43
FIG 111 Camshaft & Gears	45
FIG 112 Fuel Injection Pump	47
FIG 113 High Pressure Fuel Pipes	49
FIG 114 Atomisers	51
FIG 115 Fuel Leak-Off Pipe	53
FIG 116 Flywheel Housing	55
FIG 117 Flywheel & Starter Ring	57
FIG 118 STARTER MOTOR	59
FIG 119 Pulleys	61
FIG 120 Dipstick & Tube	63
FIG 121 Lubricating Oil Sump	65
FIG 122 Sump	67
FIG 123 Filler	69

FIG 123-1 Filler	71
FIG 124 Oil Filter	73
FIG 124-1 Oil Filter	75
FIG 125 Front End Drive Input	77
FIG 126 Front End Drive Output	79
FIG 127 Water Pump	81
FIG 128 Thermostat & Housing	83
FIG 129 Water Outlet & Inlet	85
FIG 130 Fan Drive	87
FIG 131 Alternator	89
FIG 132 Drive Belt & Tensioner	91
FIG 133 Front End Drive Output	93
FIG 134 Cylinder Head Cover	95
FIG 135 Feed Pipes	97
FIG 136 Cylinder Head Cover	99
FIG 137 Exhaust Manifold	101
FIG 137-1 Exhaust Manifold	103
FIG 138 Lift Pump	105
FIG 139 Fuel Filter	107
FIG 140 Low Pressure Fuel Pipes	109
FIG 141 Cold Start System	111
FIG 142 Engine Lifting Eyes	113
FIG 143 Throttle & Stop Controls	115
FIG 144 Instrumentation	117
FIG 145 Miscellaneous	119
FIG 146 Instrumentation	121
FIG 147 Electrical Wiring & Fittings	123
FIG 148 Electrical	125

2. ENGINE ACCESSORIES & CONTROL PART NO.

T503NC-E-C2

FIG 201 AIR CLEANER	128
FIG 202 RADIATOR	130
FIG 203 MUFFLER	132
FIG 204 FUEL HOSE & FILTER	134
FIG 205 FUEL TANK	136
FIG 206 ACCELERATOR	138

3. CLUTCH, BRAKE, STEERING PART NO. T503NC-E-C3

FIG 301 CLUTCH	141
----------------	-----

FIG 302 CLUTCH PEDAL	143
FIG 303 BRAKE	146
FIG 304 BRAKE PEDAL & LINKAGE	148
FIG 305B FRONT WHEEL	150
FIG 305C FRONT WHEEL-R4(OPTION)	152
FIG 306A REAR WHEEL	154
FIG 306C REAR WHEEL-R4(OPTION)	156
FIG 307 POWER STEERING WHEEL	158
FIG 308 POWER STEERING VALVE	160
FIG 309 POWER STEERING CYLINDER	162
FIG 310 HAND BRAKE	164

4. TRANSMISSION & REAR AXLE PART NO. T503NC-E-C4

FIG 401 TRANSMISSION FRONT CASE	167
FIG 402 FORWARD & BACKWARD GEARS	169
FIG 403 IDLE & COUNTER GEARS	171
FIG 404 MAIN SHIFT GEARS	173
FIG 405 P.T.O DRIVE SHAFT	175
FIG 406 MAIN CHANGE LEVER	177
FIG 407 REVERSE CHANGE LEVER	179
FIG 408 TRANSMISSION MID CASE	181
FIG 409 TRANSMISSION REAR CASE	183
FIG 410 SUB CHANGE GEARS	185
FIG 411 SUB CHANGE SHIFTER	187
FIG 413 DRIVE GEARS	189
FIG 414 4WD CHANGE LEVER	191
FIG 415A P.T.O CHANGE GEARS	193
FIG 415B P.T.O CHANGE GEARS	195
FIG 416 P.T.O CHANGE SHIFTER	197
FIG 417 REAR DIFFERENTIAL GEARS	199
FIG 418 REAR AXLE & HOUSINGS	202

5. FRONT AXLE, SUPPORTER & DRIVE SHAFT PART NO. T503NC-E-C5

FIG 501 FRONT AXLE SUPPORT	205
FIG 502 FRONT DRIVE SHAFT	207
FIG 503 FRONT AXLE HOUSING	209

FIG 504 FRONT DIFFERENTIAL GEARS	211
FIG 505 FRONT GEAR CASE(1)	213
FIG 506 FRONT GEAR CASE(2)	215
FIG 507 FRONT GEAR CASE(3)	217

6. HYDRAULICS & 3P-LINK PART NO. T503NC-E-C6

FIG 601 CYLINDER CASE	220
FIG 602 LIFT ARM	222
FIG 603 CYLINDER	224
FIG 604 POSITION LINK	226
FIG 605 CONTROL VALVE	228
FIG 606 DRAFT LINK	230
FIG 607 POSITION & DRAFT LEVER	232
FIG 608 EXTERIOR HYD. VALVE	234
FIG 609 HYDRAULIC PIPE	236
FIG 610 JOYSTICK	238
FIG 611 HYDRAULIC HOSE	240
FIG 612 HITCH & 3-POINT LINK	242
FIG 613 LOWER LINK & LIFT ROD	245

7. SHEET, METAL & CABIN PART NO. T503NC-E-C7

FIG 701 HOOD(1)	248
FIG 702 HOOD(2)	250
FIG 704A LEVER COVER & STEP	252
FIG 704B LEVER COVER & STEP-NON CAB	254
FIG 705 FRONT & REAR MOUNTING	256
FIG 706 SEAT & MAT	258
FIG 710B FRAME & 2POLES ROPS-NON CAB	260
FIG 712 REAR GLASS	262
FIG 713A SUB FENDER & COVER	264
FIG 713B SUB FENDER & COVER-NON CAB	266
FIG 714B MIRROR & WORKING LAMP-NON CAB	268
FIG 718 CABIN INTERIOR	270

8. ELECTRICALS & HARNESS PART NO. T503NC-E-C8

FIG 801 BATTERY & MOUNTING	273
----------------------------	-----

FIG 802 LIGHT & BACK LAMP	275
FIG 803 INSTRUMENT PANEL	277
FIG 804 ELECTRIC SYSTEM(1)	279
FIG 805B ELECTRIC SYSTEM(2)	281

9. WEIGHT, LABEL & TOOLS PART NO. T503NC-E-C9

FIG 901 TOOL & ACCESSORY	284
FIG 902 WEIGHT	286
FIG 903A LABEL	288
FIG 903B LABEL	290

1. ENGINE GN65914U PART NO. GN65914U

FIG 101 CYLINDER BLOCK ASSEMBLY	9
FIG 101-1 CYLINDER BLOCK ASSEMBLY	11
FIG 102 Crankshaft, Pistons & Connecting Rods	13
FIG 102-1 Crankshaft, Pistons & Connecting Rods	15
FIG 103 Rear End Oil Seal	17
FIG 104 Cylinder Head	19
FIG 104-1 Cylinder Head	21
FIG 104-2 Cylinder Head	23
FIG 105 Rocker Shaft Assembly	25
FIG 106 Oil Pump	27
FIG 107 Pipes	29
FIG 108 Relief Valve	31
FIG 109 Timing Case	33
FIG 109-1 Timing Case	35
FIG 109-2 Timing Case	37
FIG 109-3 Timing Case	39
FIG 109-4 Timing Case	41
FIG 110 Miscellaneous	43
FIG 111 Camshaft & Gears	45
FIG 112 Fuel Injection Pump	47
FIG 113 High Pressure Fuel Pipes	49
FIG 114 Atomisers	51
FIG 115 Fuel Leak-Off Pipe	53
FIG 116 Flywheel Housing	55
FIG 117 Flywheel & Starter Ring	57
FIG 118 STARTER MOTOR	59
FIG 119 Pulleys	61
FIG 120 Dipstick & Tube	63
FIG 121 Lubricating Oil Sump	65
FIG 122 Sump	67
FIG 123 Filler	69
FIG 123-1 Filler	71
FIG 124 Oil Filter	73
FIG 124-1 Oil Filter	75
FIG 125 Front End Drive Input	77
FIG 126 Front End Drive Output	79
FIG 127 Water Pump	81
FIG 128 Thermostat & Housing	83

FIG 129 Water Outlet & Inlet	85
FIG 130 Fan Drive	87
FIG 131 Alternator	89
FIG 132 Drive Belt & Tensioner	91
FIG 133 Front End Drive Output	93
FIG 134 Cylinder Head Cover	95
FIG 135 Feed Pipes	97
FIG 136 Cylinder Head Cover	99
FIG 137 Exhaust Manifold	101
FIG 137-1 Exhaust Manifold	103
FIG 138 Lift Pump	105
FIG 139 Fuel Filter	107
FIG 140 Low Pressure Fuel Pipes	109
FIG 141 Cold Start System	111
FIG 142 Engine Lifting Eyes	113
FIG 143 Throttle & Stop Controls	115
FIG 144 Instrumentation	117
FIG 145 Miscellaneous	119
FIG 146 Instrumentation	121
FIG 147 Electrical Wiring & Fittings	123
FIG 148 Electrical	125

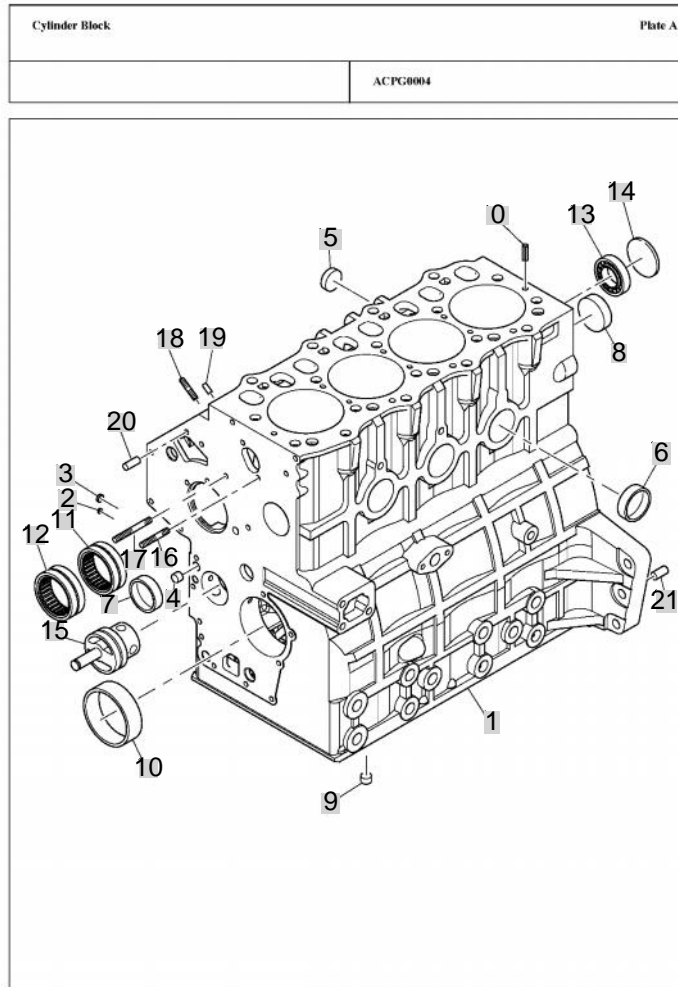
FIG 101

T503NC

CYLINDER BLOCK ASSEMBLY

년/월
Year/Month

2020.07



Page 16

NOTE

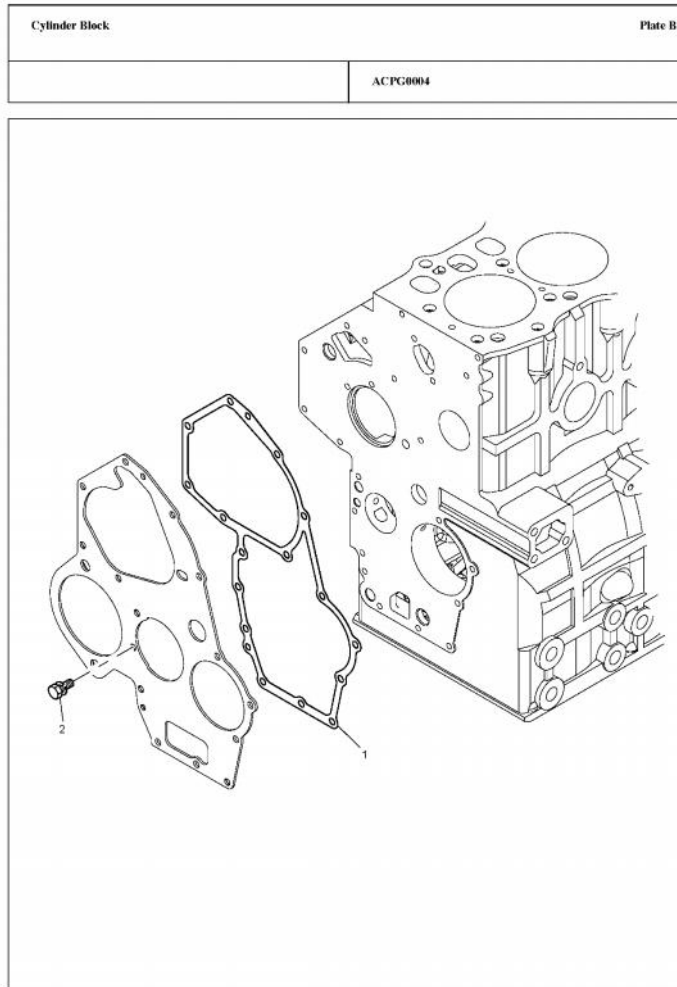
FIG 101-1

CYLINDER BLOCK ASSEMBLY

년/월
Year/Month

T503NC

2020.07



Page 18

NOTE

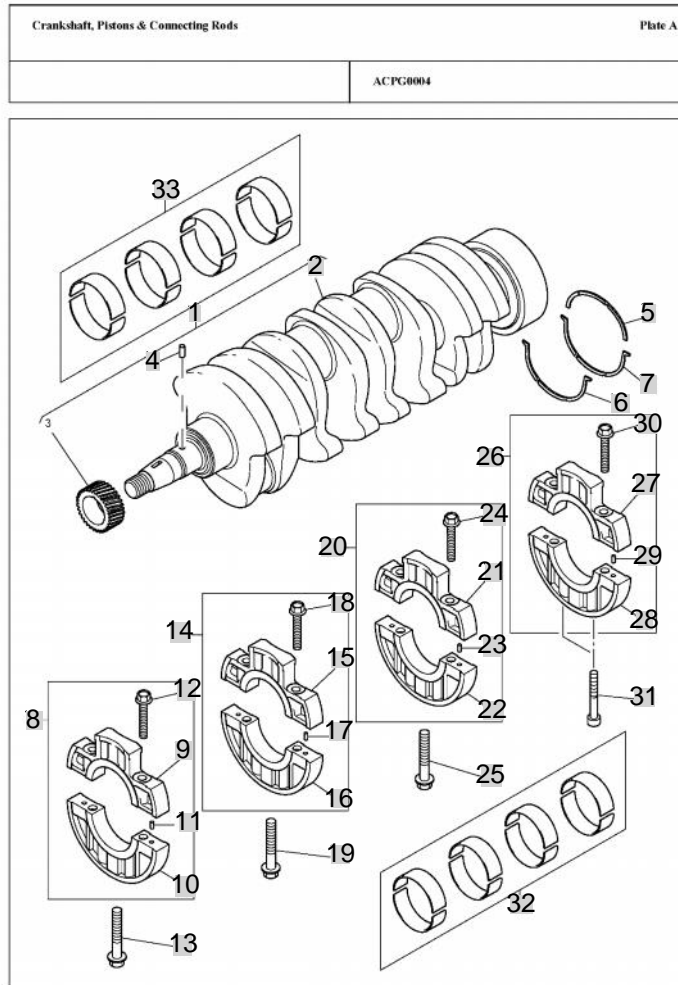
FIG 102

T503NC

Crankshaft, Pistons & Connecting Rods

년/월
Year/Month

2020.07



Page 20

NOTE

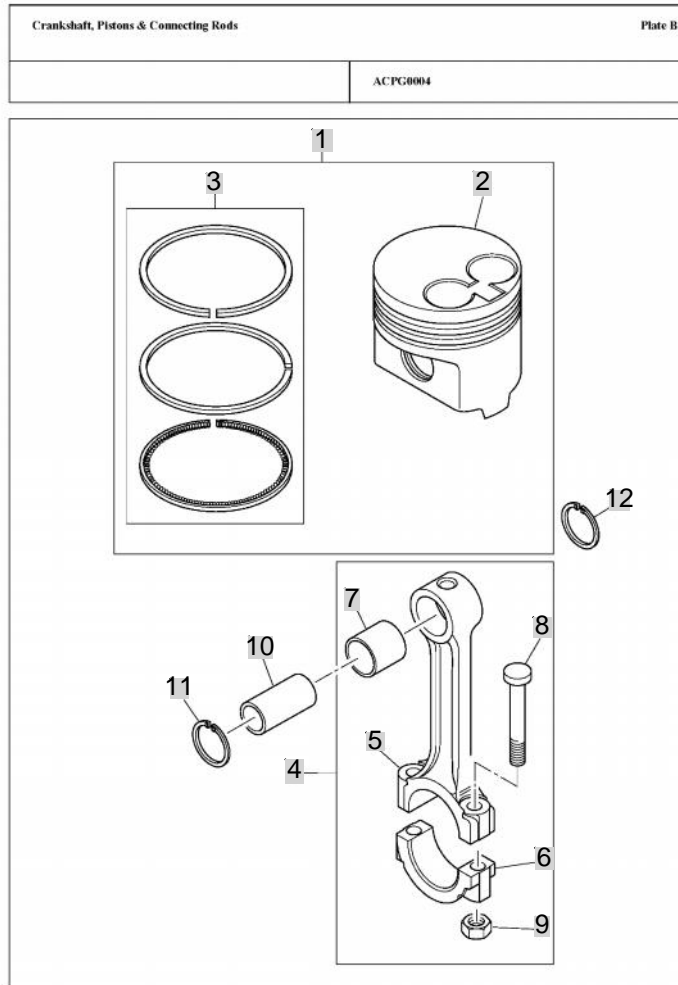
FIG 102-1

T503NC

Crankshaft, Pistons & Connecting Rods

년/월
Year/Month

2020.07



Page 22

NOTE

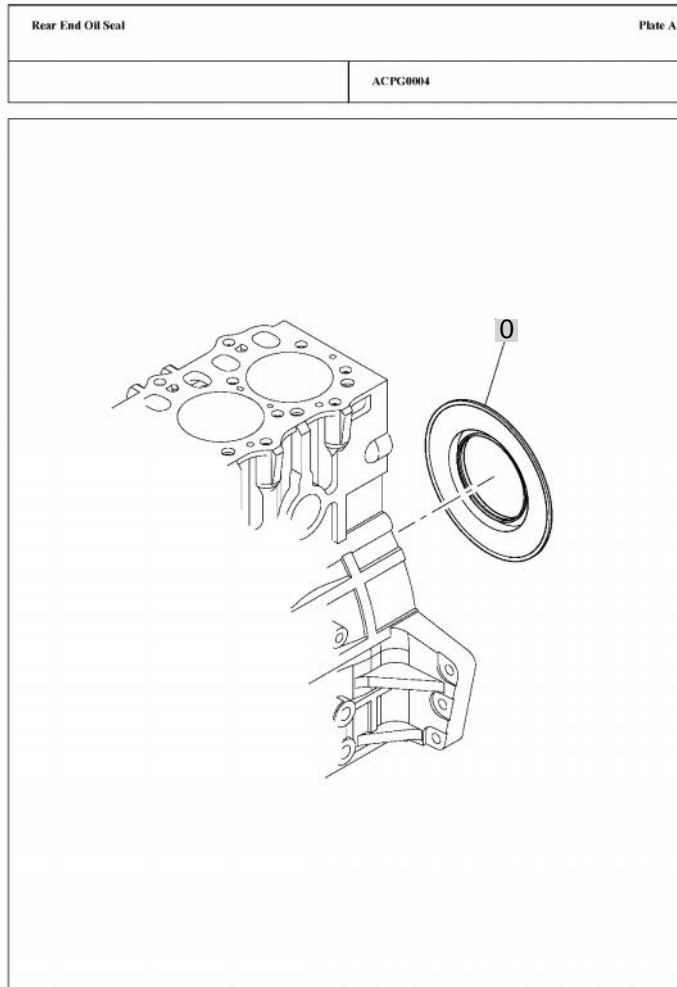
FIG 103

T503NC

Rear End Oil Seal

년/월
Year/Month

2020.07



Page 21

NOTE

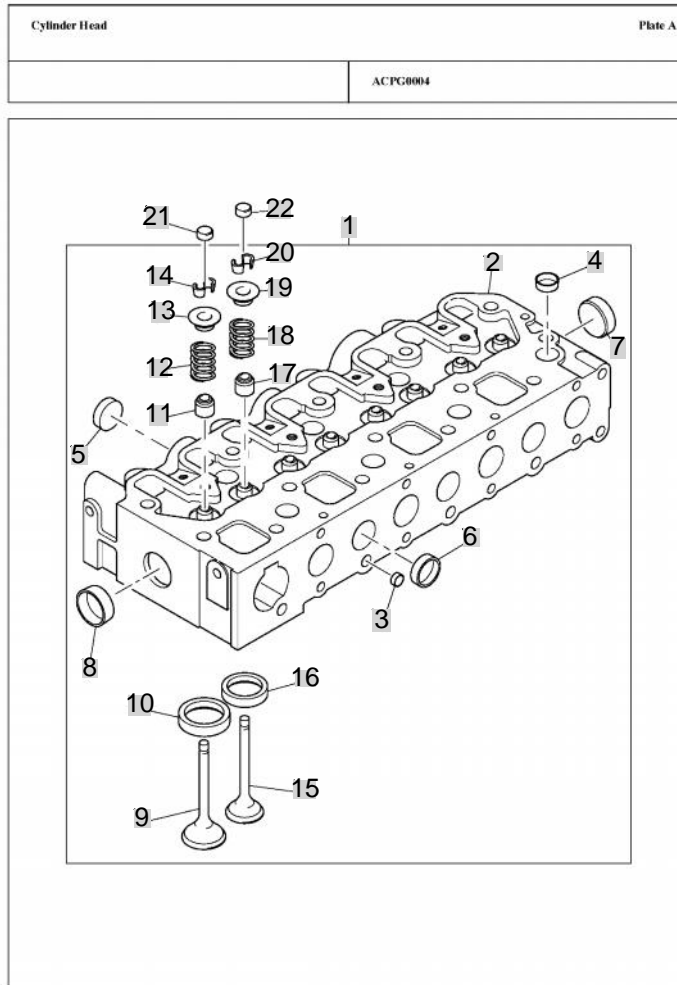
FIG 104

Cylinder Head

년/월
Year/Month

T503NC

2020.07



Page 26

NOTE

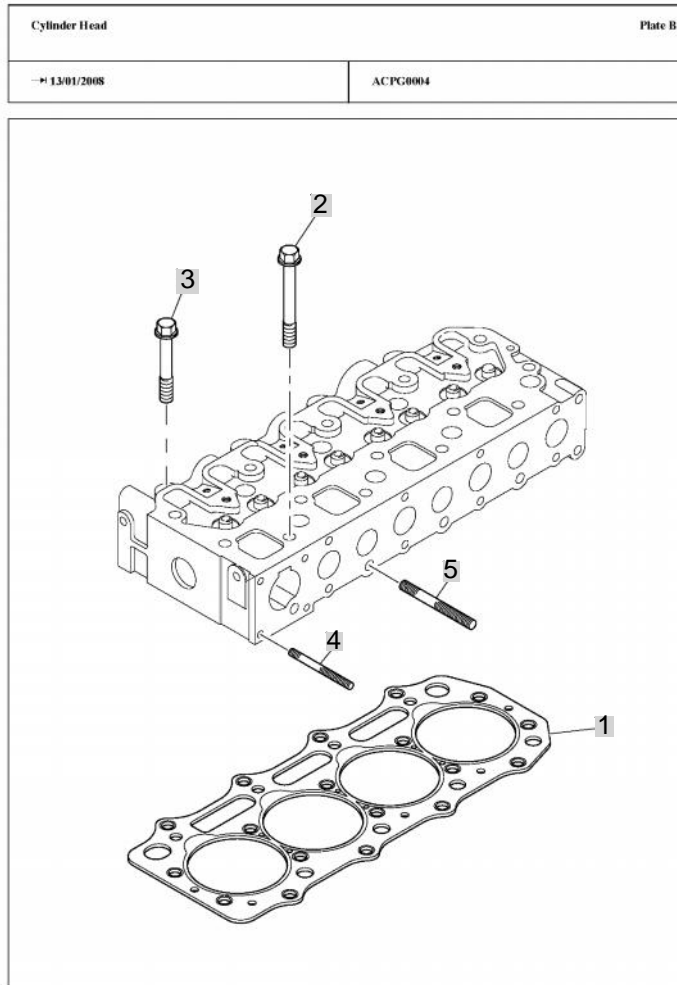
FIG 104-1

Cylinder Head

년/월
Year/Month

T503NC

2020.07



Page 28

NOTE

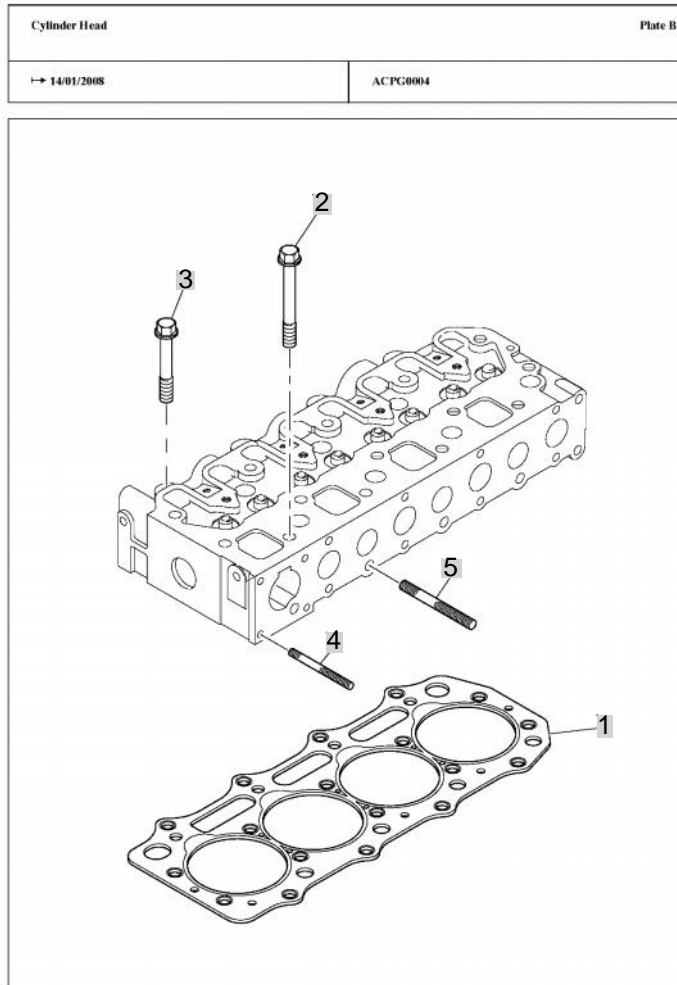
FIG 104-2

T503NC

Cylinder Head

년/월
Year/Month

2020.07



Page 30

NOTE

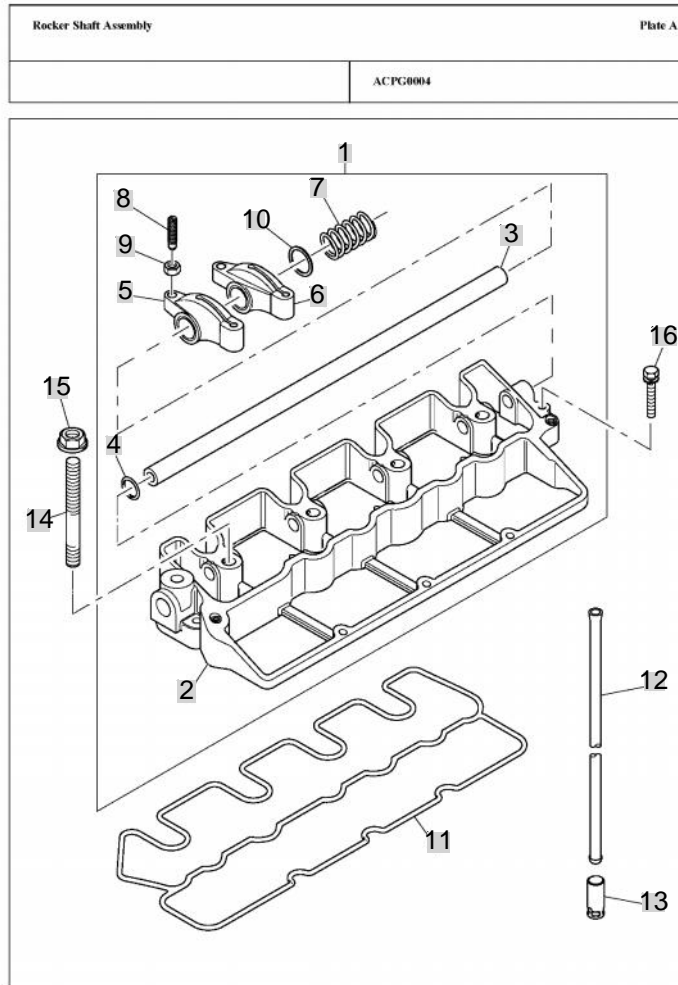
FIG 105

Rocker Shaft Assembly

년/월
Year/Month

T503NC

2020.07



Page 32

NOTE

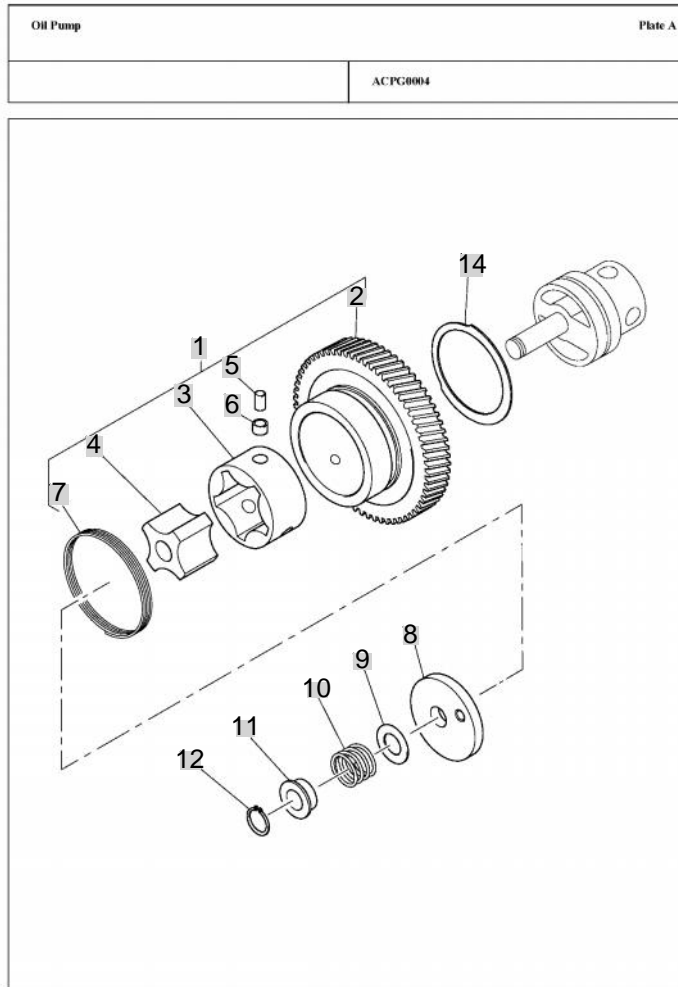
FIG 106

T503NC

Oil Pump

년/월
Year/Month

2020.07



Page 31

NOTE

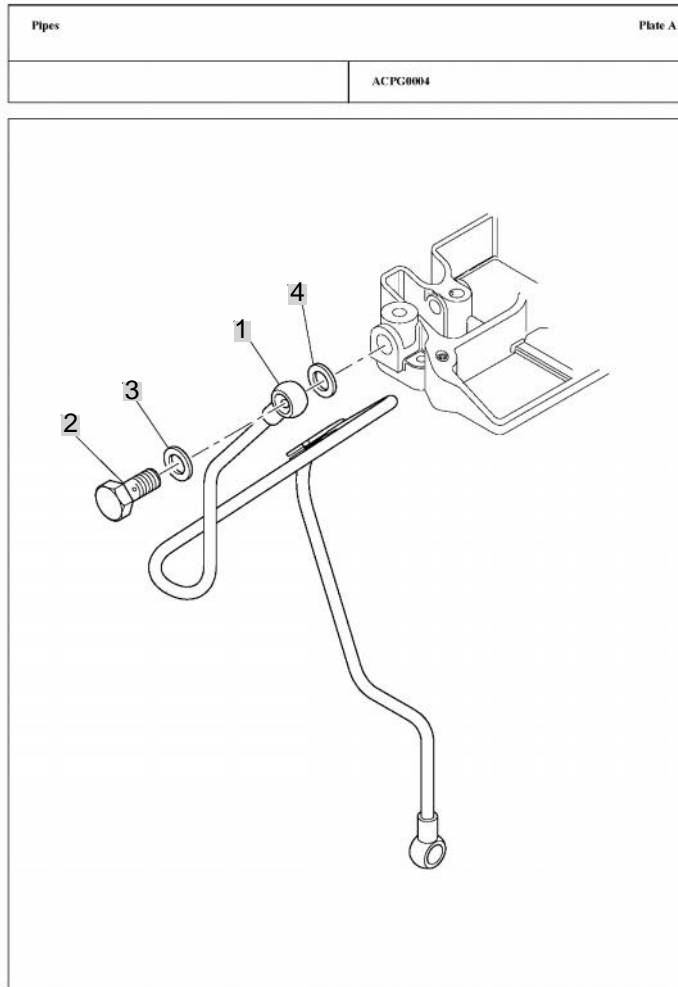
FIG 107

T503NC

Pipes

년/월
Year/Month

2020.07



Page 36

NOTE

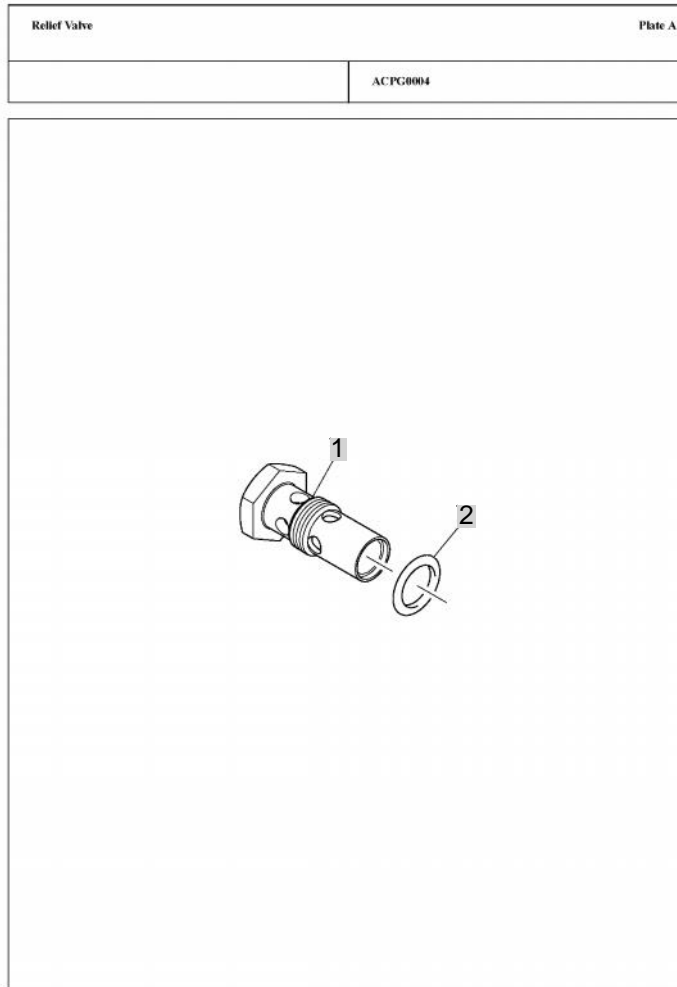
FIG 108

T503NC

Relief Valve

년/월
Year/Month

2020.07



Page 38

NOTE

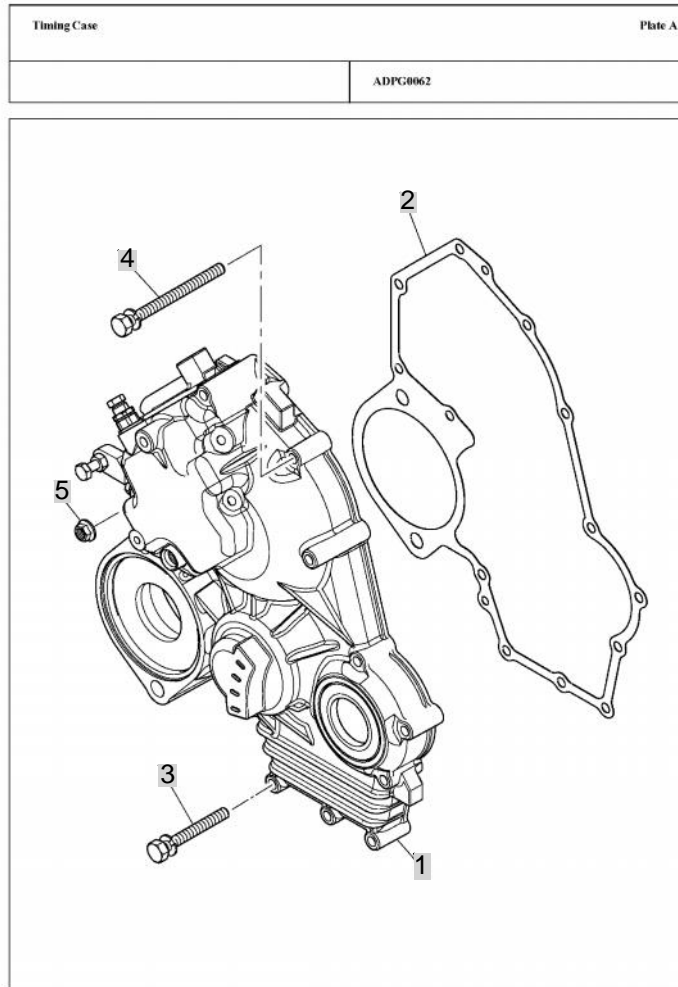
FIG 109

T503NC

Timing Case

년/월
Year/Month

2020.07



Page 40

NOTE

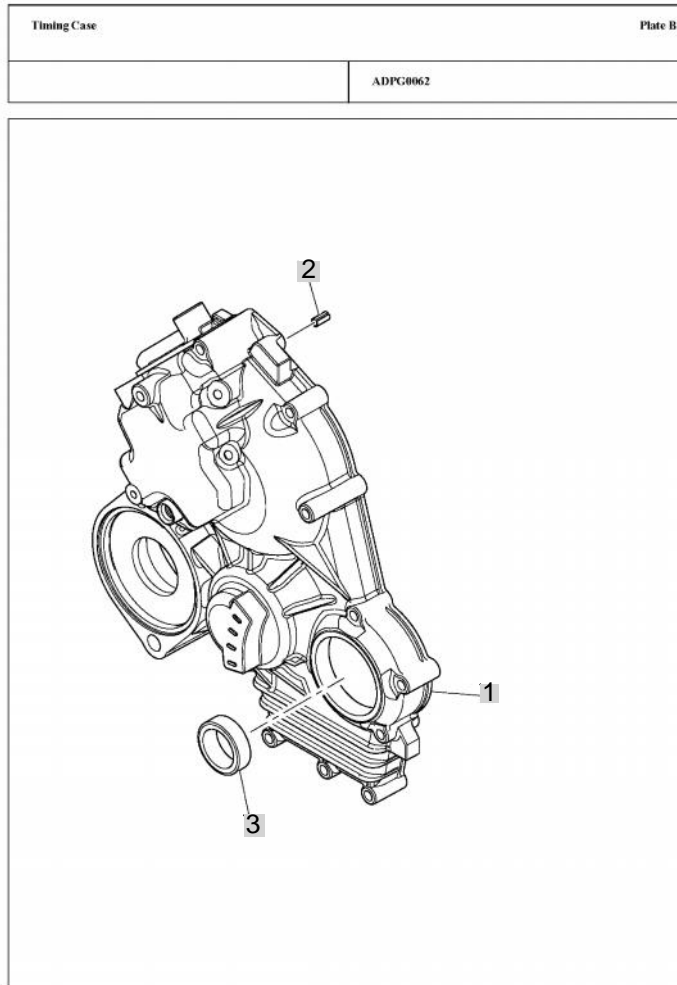
FIG 109-1

T503NC

Timing Case

년/월
Year/Month

2020.07



Page 42

NOTE

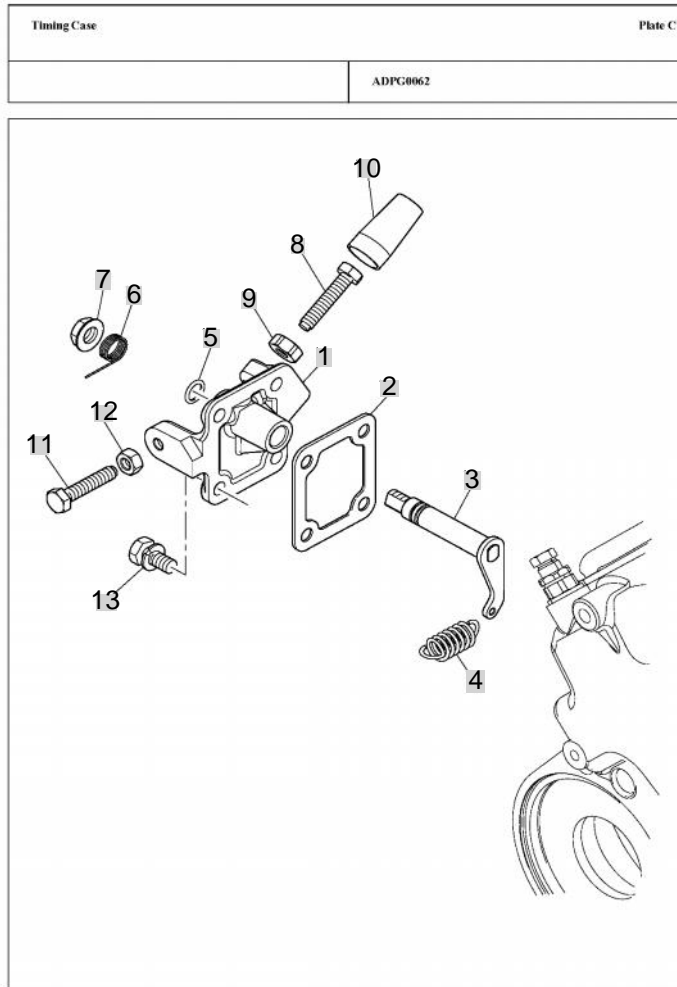
FIG 109-2

Timing Case

년/월
Year/Month

2020.07

T503NC



Page 41

NOTE

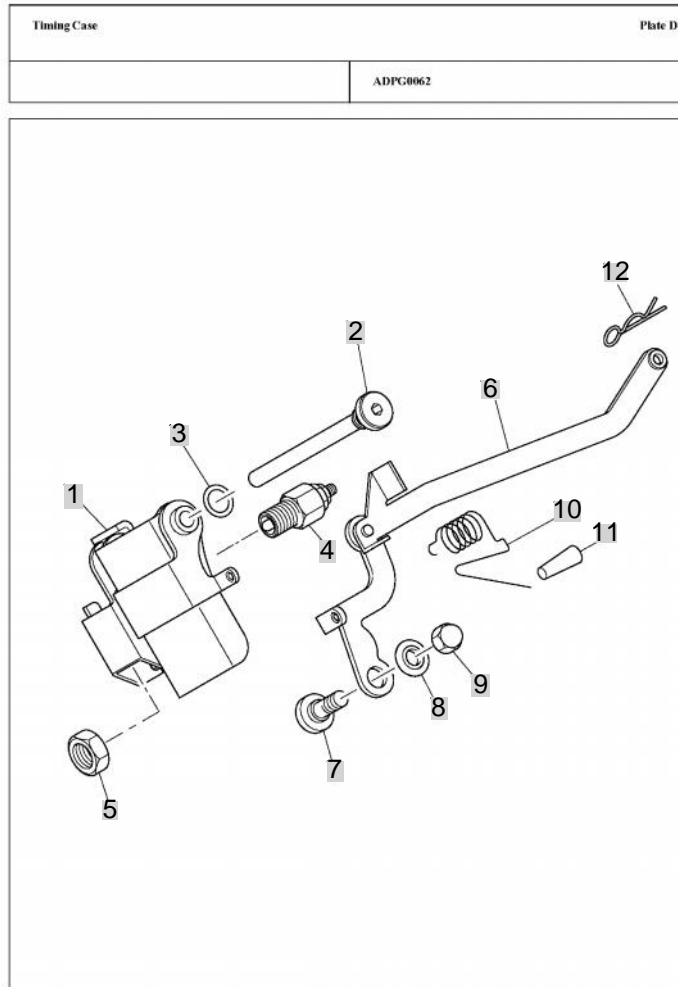
FIG 109-3

T503NC

Timing Case

년/월
Year/Month

2020.07



Page 46

NOTE

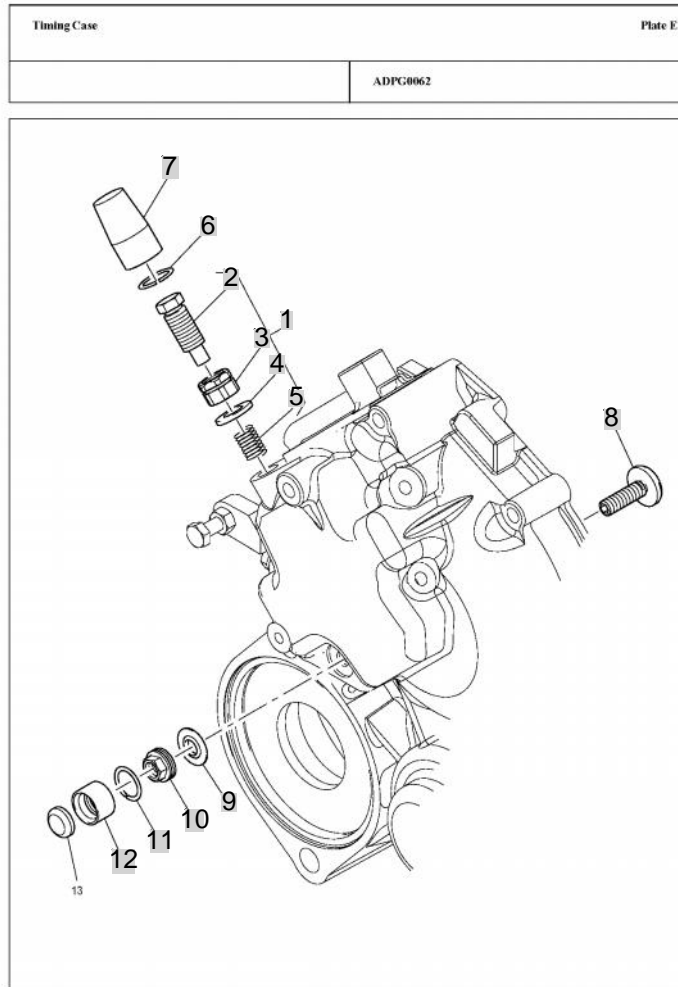
FIG 109-4

T503NC

Timing Case

년/월
Year/Month

2020.07



Page 48

NOTE

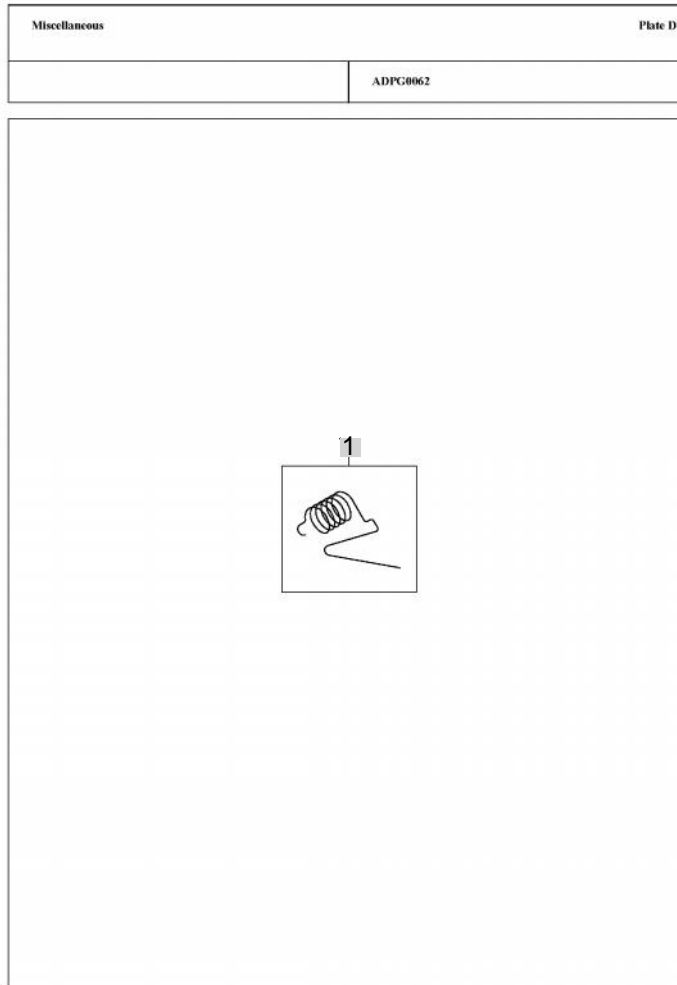
FIG 110

T503NC

Miscellaneous

년/월
Year/Month

2020.07



Page 50

NOTE

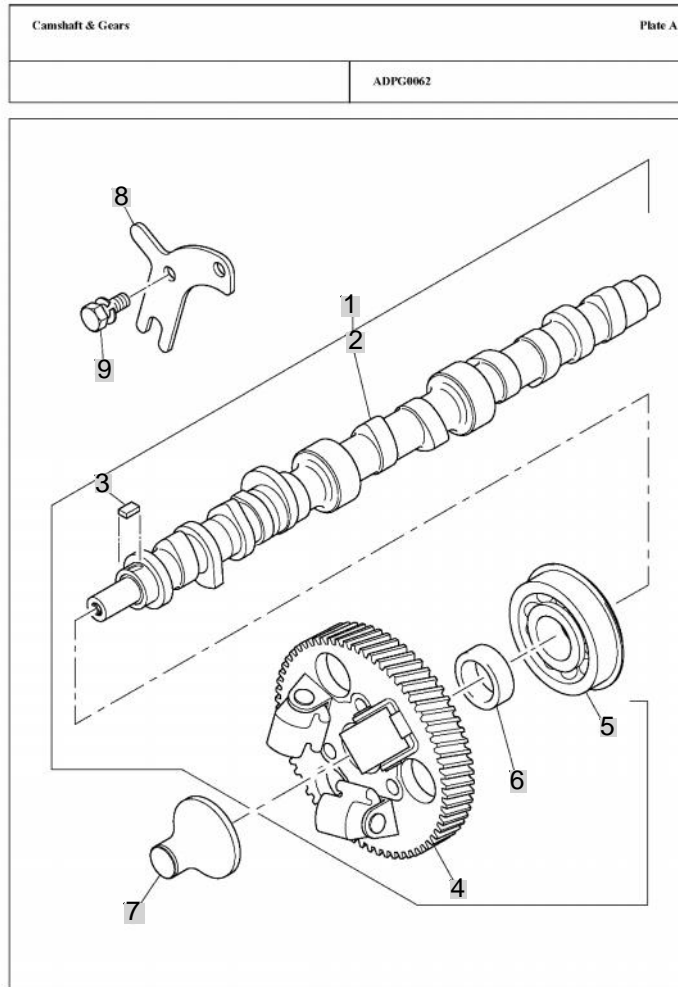
FIG 111

T503NC

Camshaft & Gears

년/월
Year/Month

2020.07



Page 52

NOTE

FIG 111		Camshaft & Gears					년/월 Year/Month	
T503NC							2020.07	
KEY NO	PART NO	DESCRIPTION	SPEC	QTY	REPAIR	EFFECTIVE DATE	REMARKS	
111	1	120026880	CAMSHAFT	1				
111	2	--	Not serviced separately	1				
111	3	034100508	WOODRUFF KEY	1				
111	4	120016210	CAMSHAFT GEAR	1				
111	5	040109057	BALL BEARING	1				
111	6	199216320	SPACER	1				
111	7	125256220	SLIDER	1				
111	8	199566750	PLATE	1				
111	9	011310612	SCREW	2				
NOTE								

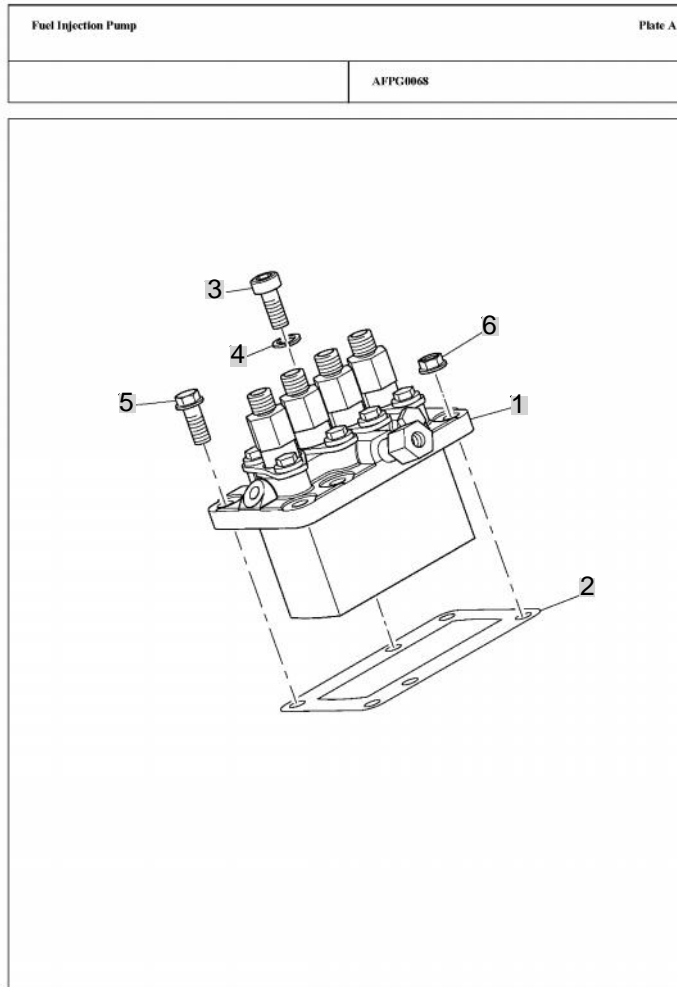
FIG 112

T503NC

Fuel Injection Pump

년/월
Year/Month

2020.07



Page 51

NOTE

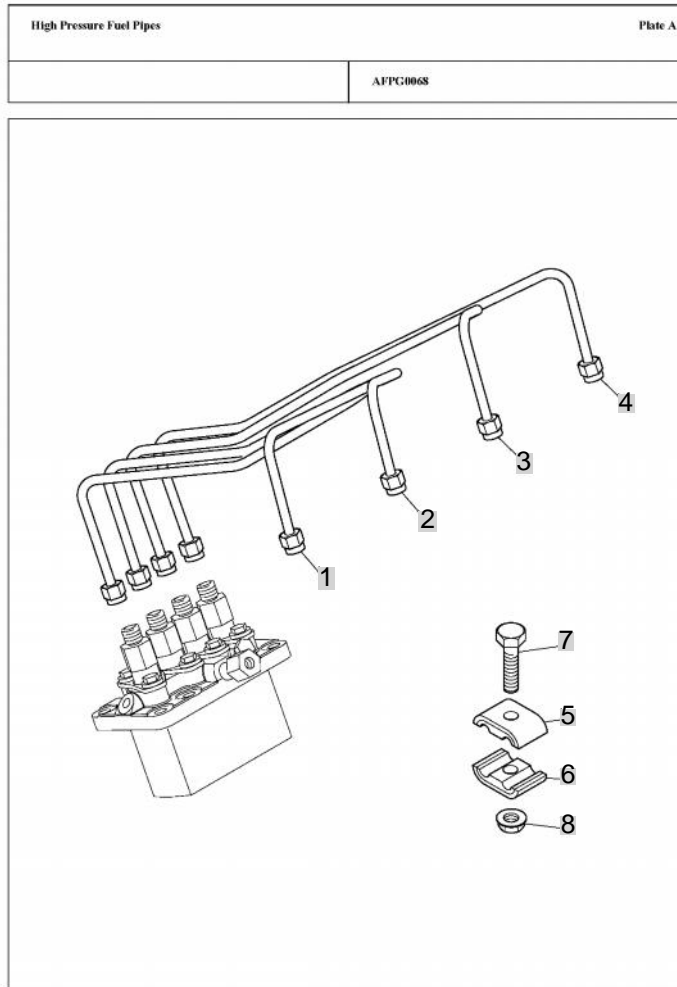
FIG 113

T503NC

High Pressure Fuel Pipes

년/월
Year/Month

2020.07



Page 56

NOTE

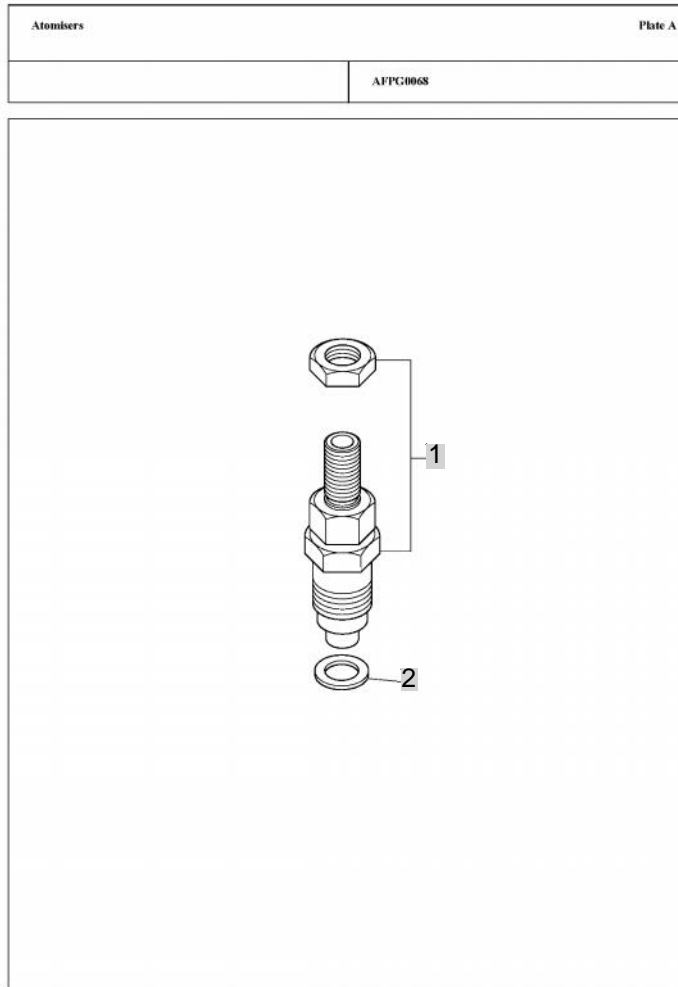
FIG 114

T503NC

Atomisers

년/월
Year/Month

2020.07



Page 58

NOTE

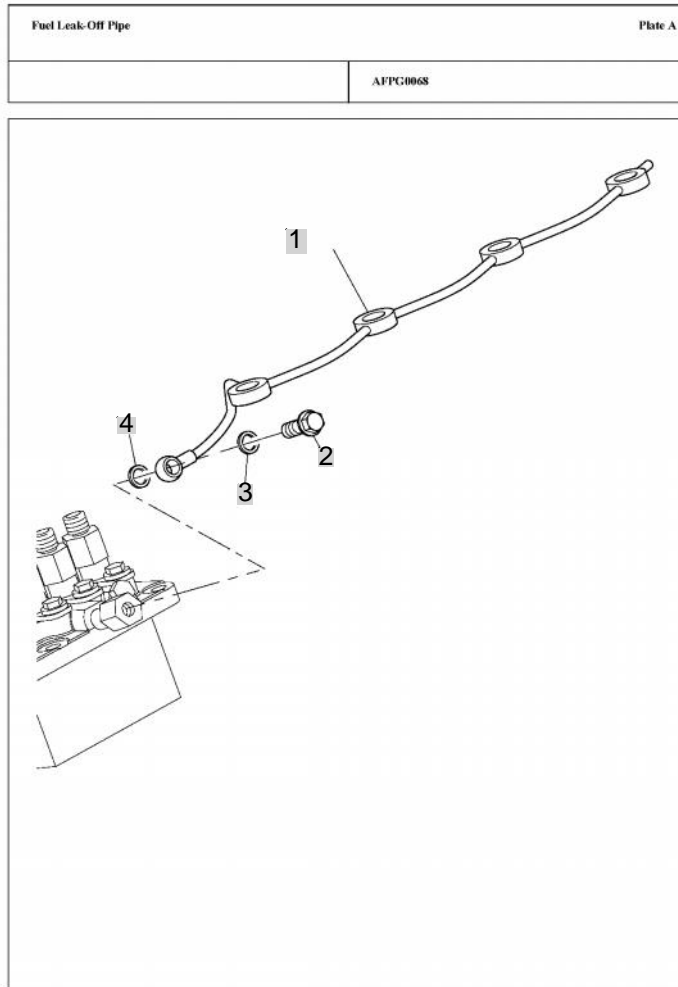
FIG 115

T503NC

Fuel Leak-Off Pipe

년/월
Year/Month

2020.07



Page 60

NOTE

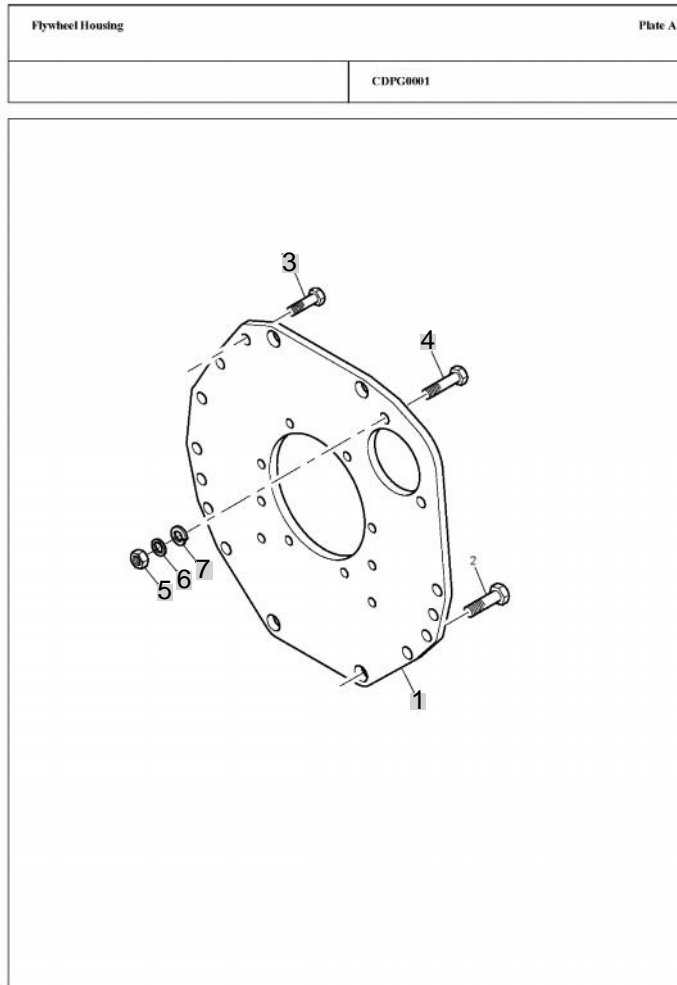
FIG 116

T503NC

Flywheel Housing

년/월
Year/Month

2020.07



Page 62

NOTE

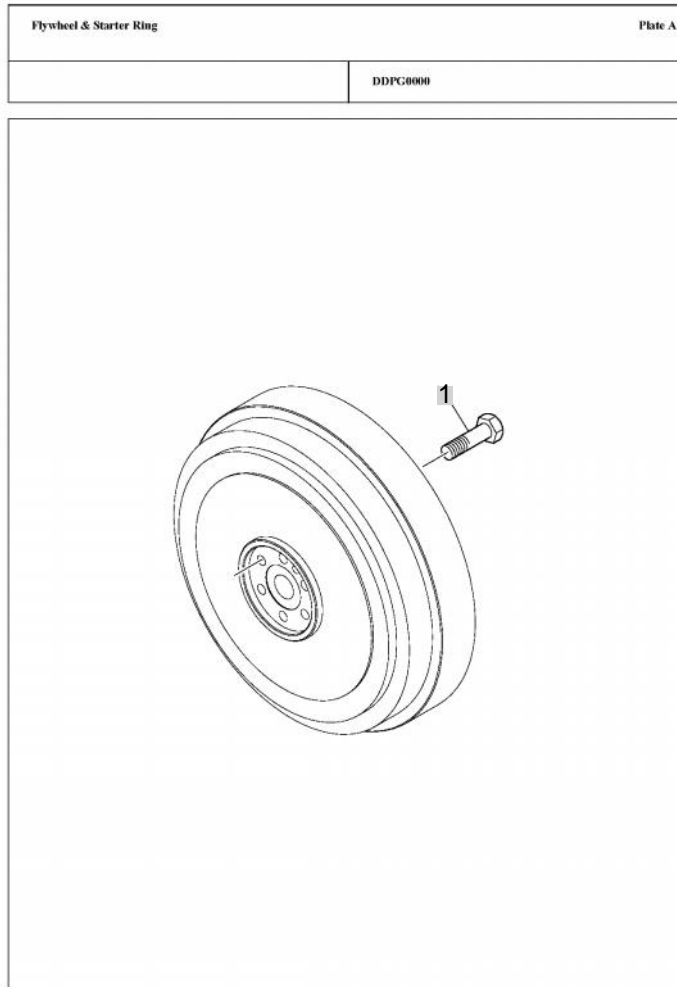
FIG 117

T503NC

Flywheel & Starter Ring

년/월
Year/Month

2020.07



Page 61

NOTE

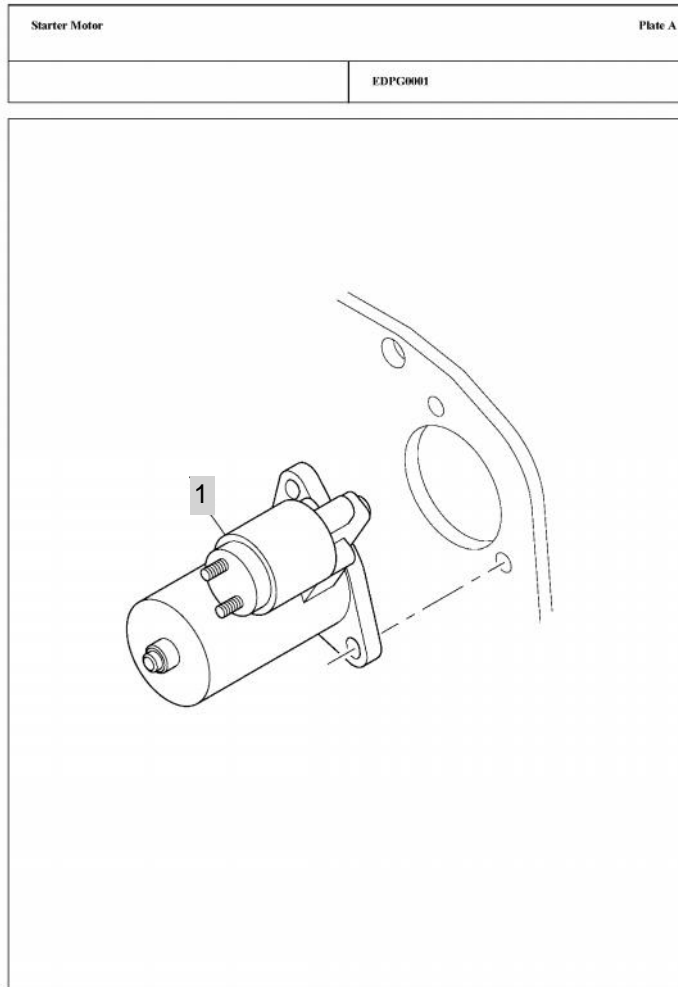
FIG 118

T503NC

STARTER MOTOR

년/월
Year/Month

2020.07



Page 66

NOTE

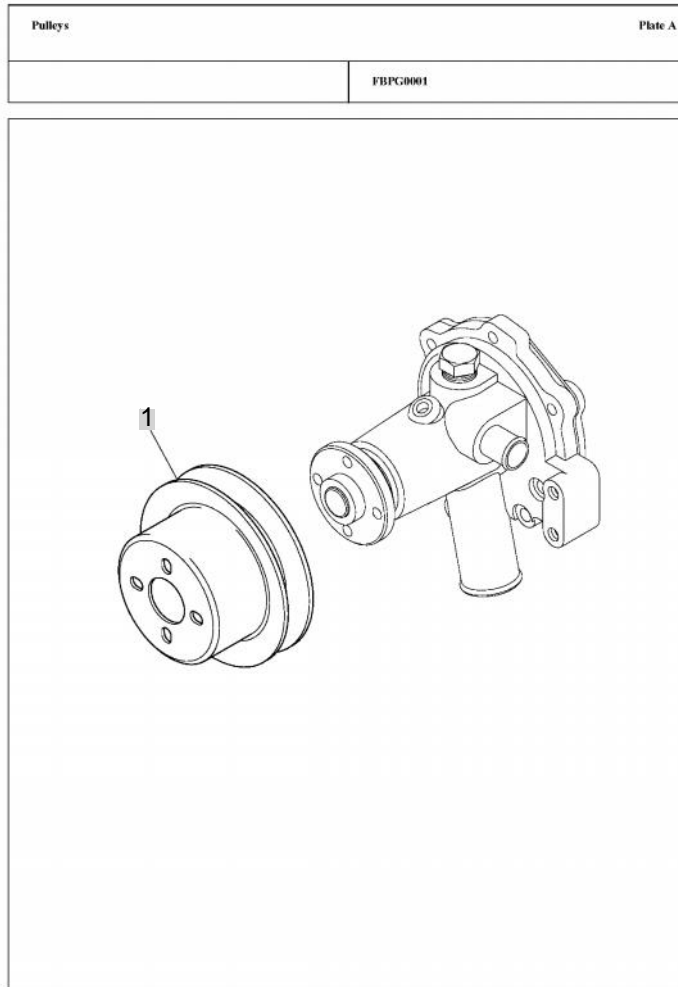
FIG 119

T503NC

Pulleys

년/월
Year/Month

2020.07



Page 68

NOTE

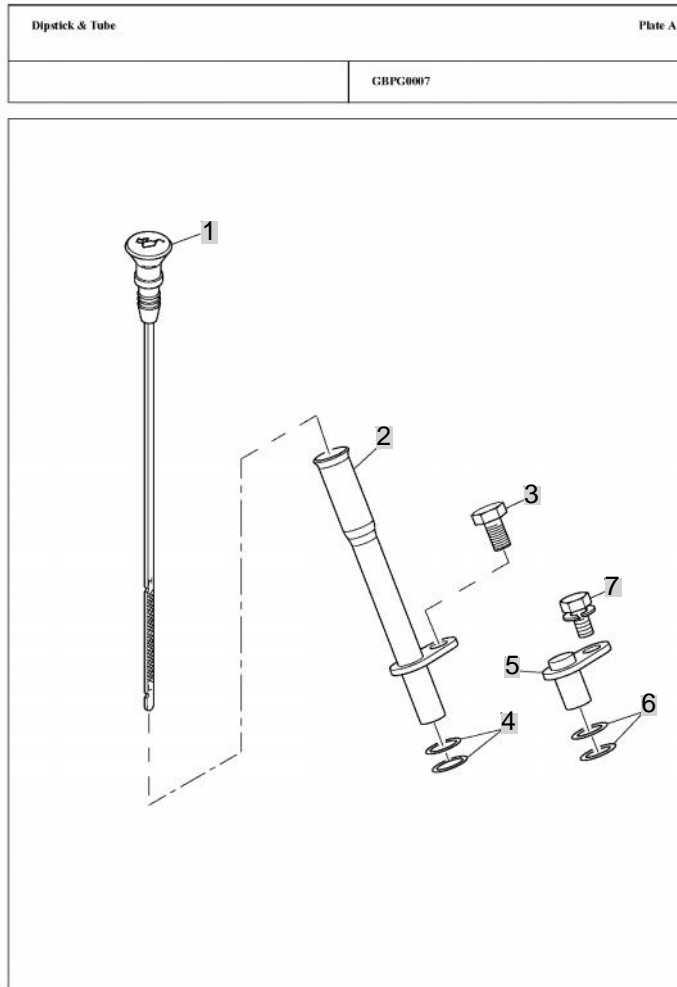
FIG 120

T503NC

Dipstick & Tube

년/월
Year/Month

2020.07



Page 70

NOTE

FIG 120 T503NC		Dipstick & Tube						년/월 Year/Month	
								2020.07	
KEY NO	PART NO	DESCRIPTION	SPEC	QTY	REPAIR	EFFECTIVE DATE	REMARKS		
120	1	198416690	DIPSTICK	1					
120	2	110756490	DIPSTICK TUBE	1					
120	3	010109235	SCREW	1					
120	4	052100100	SEAL - O RING	2					
120	5	198436290	PLUG	1					
120	6	052100100	SEAL - O RING	2					
120	7	011310612	SCREW	1					
NOTE									

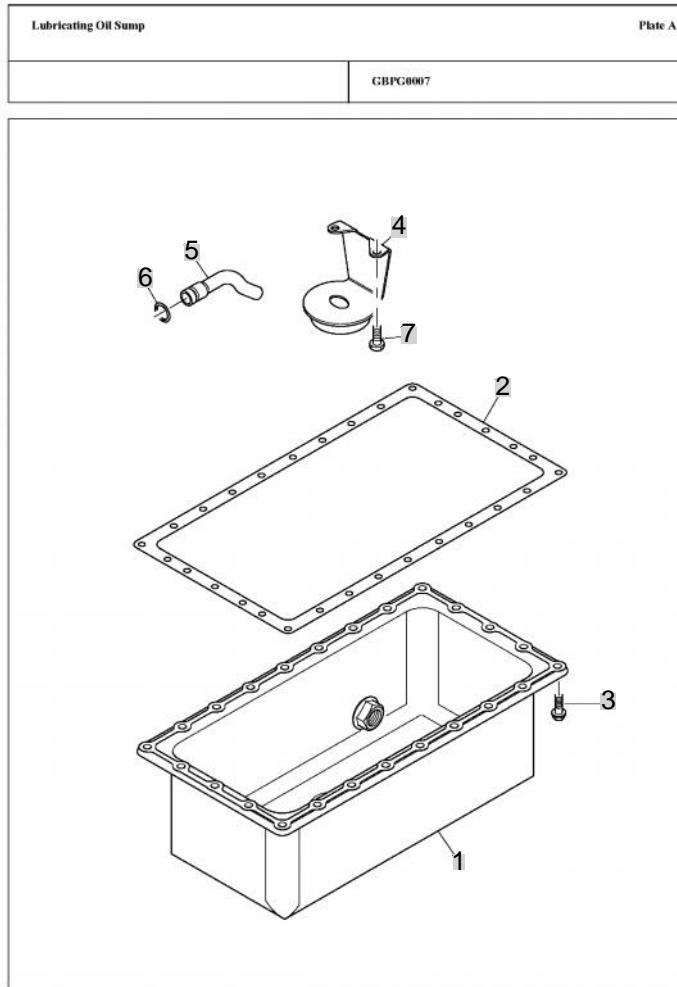
FIG 121

T503NC

Lubricating Oil Sump

년/월
Year/Month

2020.07



Page 72

NOTE

FIG 121		Lubricating Oil Sump						년/월 Year/Month	REMARKS
								2020.07	
T503NC							EFFECTIVE DATE		
KEY NO		PART NO	DESCRIPTION	SPEC	QTY	REPAIR			
121	1	110706820	SUMP		1				
121	2	110996920	GASKET - SUMP		1				
121	3	010109235	SCREW		30				
121	4	140406650	STRAINER		1				
121	5	140986980	OIL PIPE		1				
121	6	052109076	SEAL - O RING		1				
121	7	011310612	SCREW		2				
NOTE									

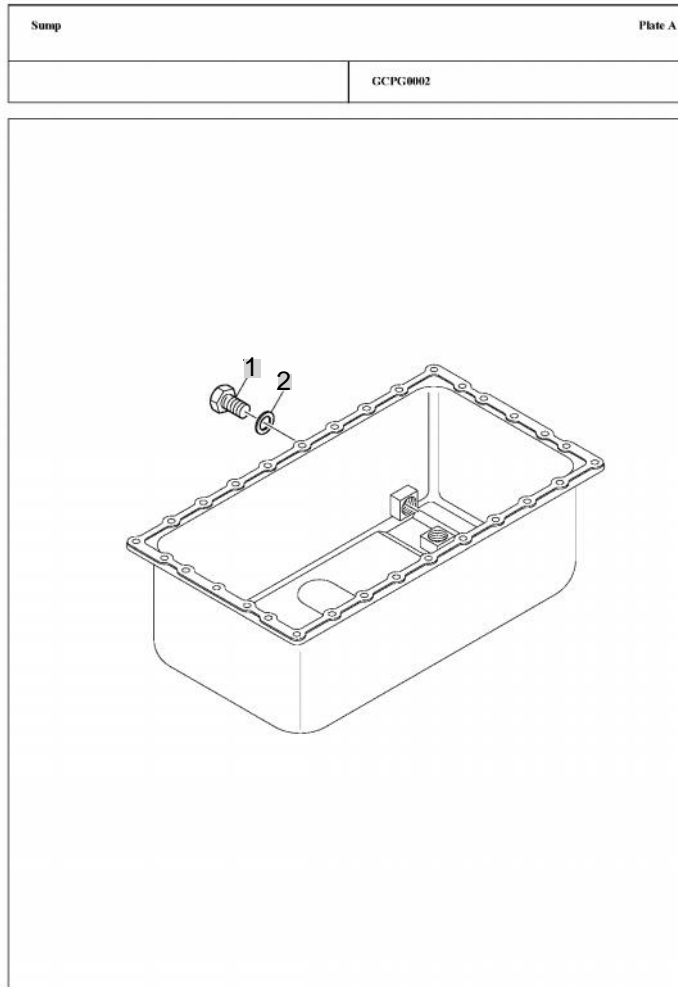
FIG 122

T503NC

Sump

년/월
Year/Month

2020.07



Page 74

NOTE

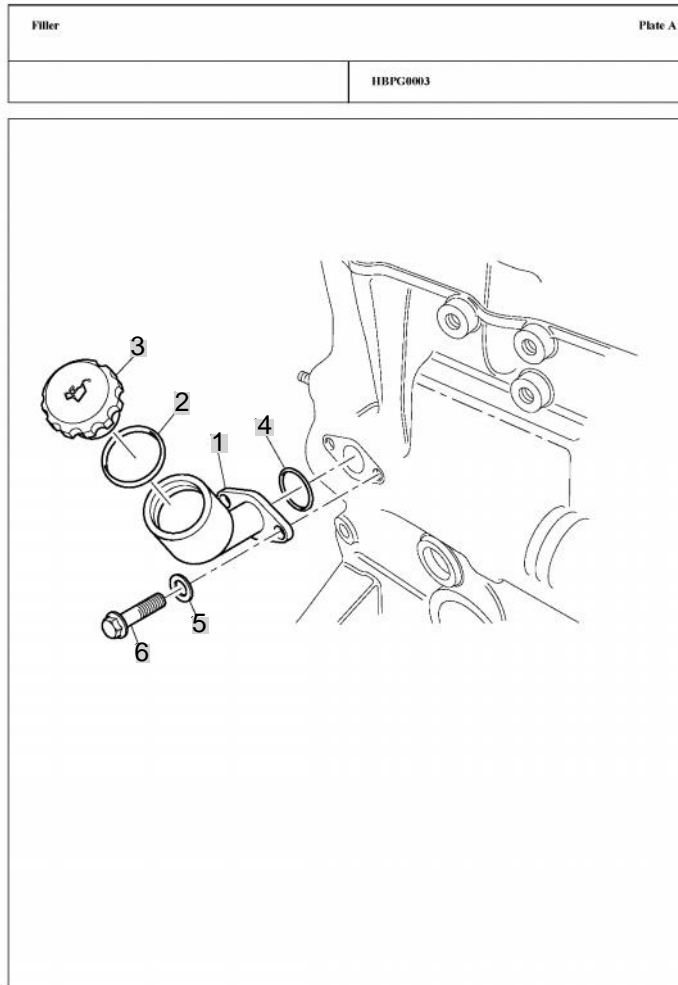
FIG 123

T503NC

Filler

년/월
Year/Month

2020.07



Page 76

NOTE

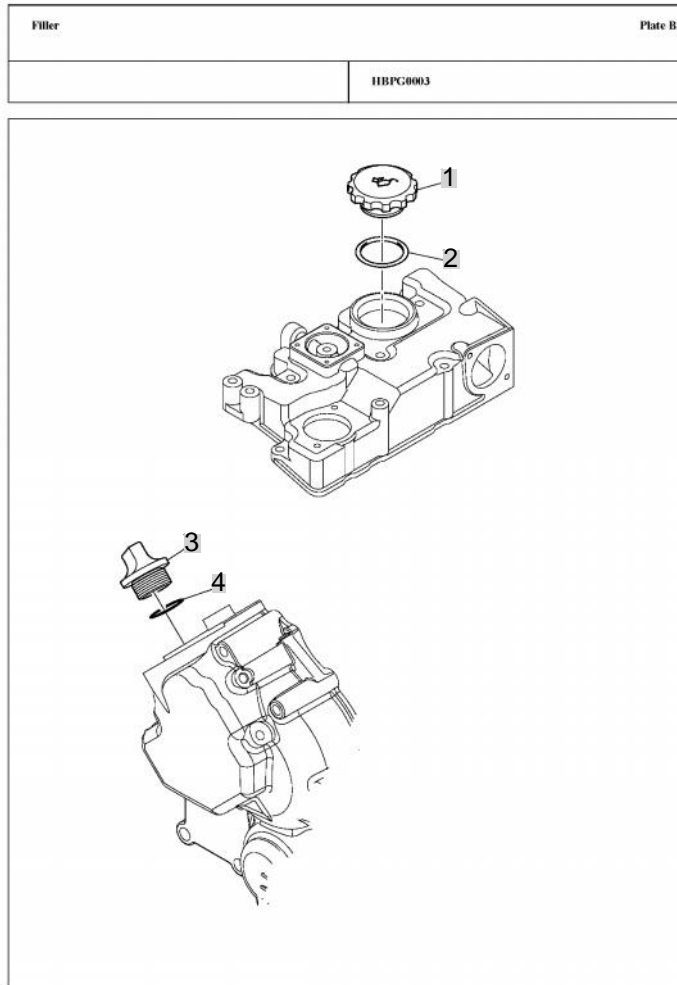
FIG 123-1

T503NC

Filler

년/월
Year/Month

2020.07



Page 78

NOTE

FIG 123-1		Filler					년/월	REMARKS
							Year/Month	
T503NC		2020.07						
KEY NO	PART NO	DESCRIPTION	SPEC	QTY	REPAIR	EFFECTIVE DATE	REMARKS	
123-1	1	198436350	OIL FILLER CAP			1		
123-1	2	052100400	SEAL - O RING			1		
123-1	3	198436390	OIL FILLER CAP			1		
123-1	4	052100280	SEAL - O RING			1		
NOTE								

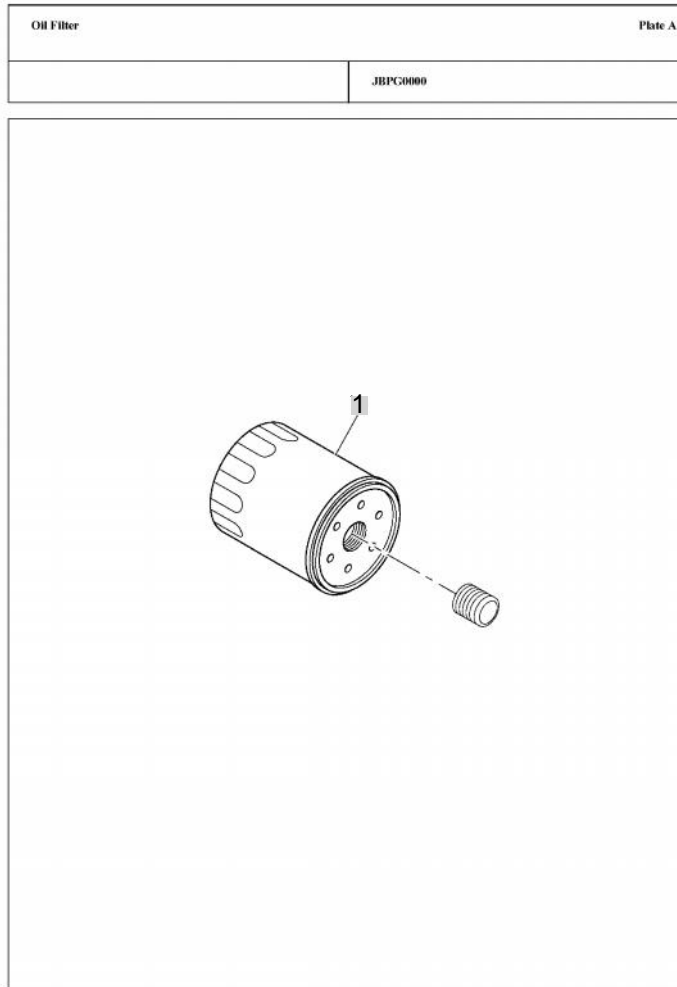
FIG 124

T503NC

Oil Filter

년/월
Year/Month

2020.07



Page 80

NOTE

FIG 124 T503NC	Oil Filter						년/월 Year/Month
							2020.07

KEY NO		PART NO	DESCRIPTION	SPEC	QTY	REPAIR	EFFECTIVE DATE	REMARKS
124	1	140517050	OIL FILTER		1			
NOTE								

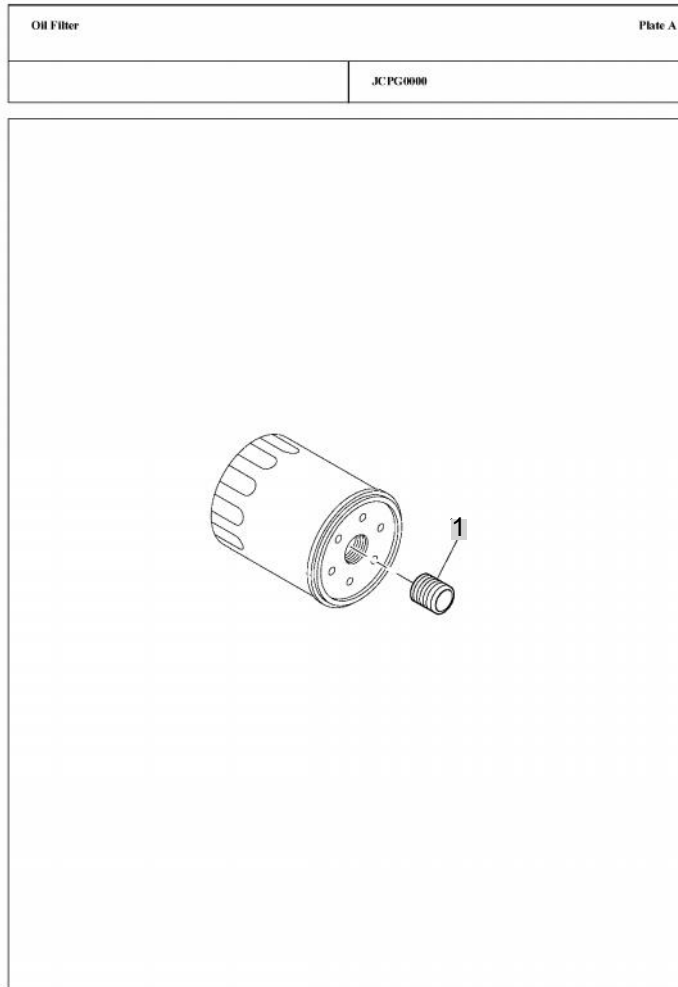
FIG 124-1

T503NC

Oil Filter

년/월
Year/Month

2020.07



Page 82

NOTE

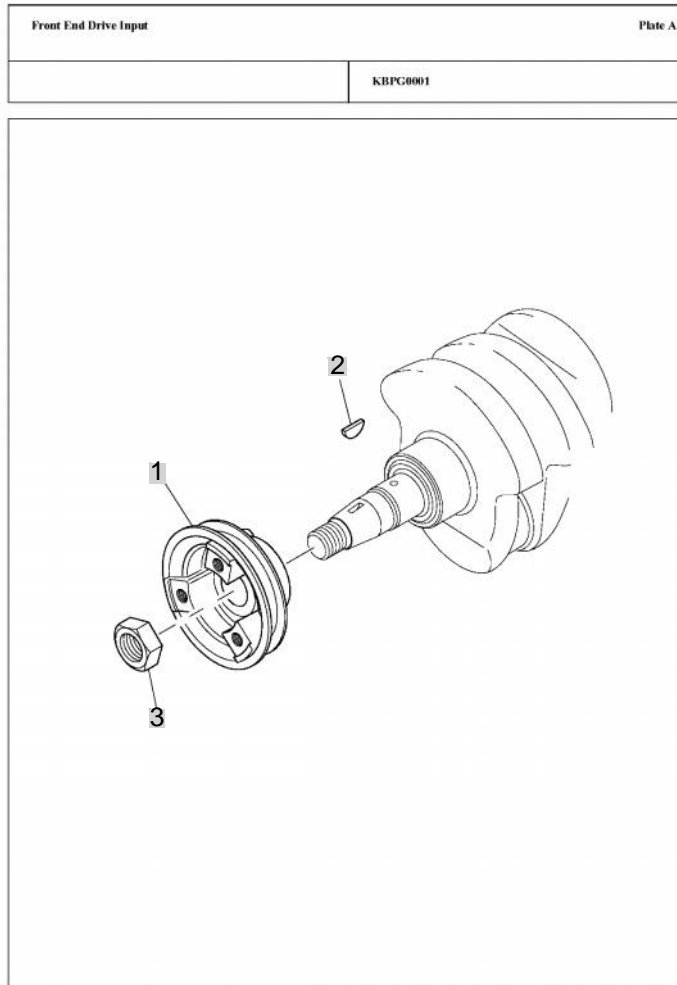
FIG 125

T503NC

Front End Drive Input

년/월
Year/Month

2020.07



Page 81

NOTE

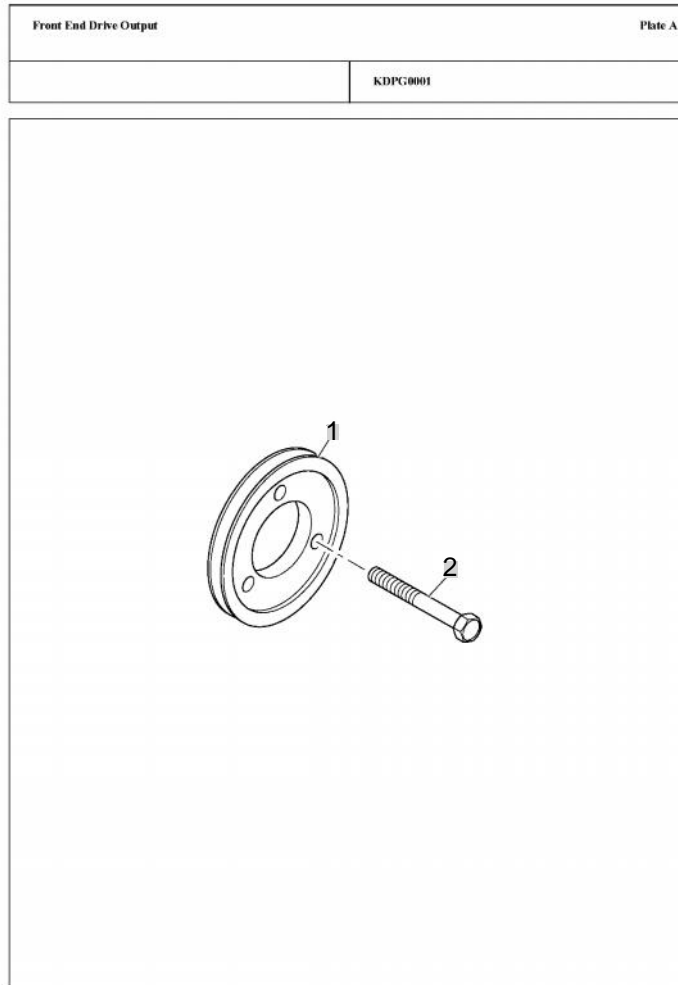
FIG 126

T503NC

Front End Drive Output

년/월
Year/Month

2020.07



Page 86

NOTE

FIG 126
T503NC

Front End Drive Output

년/월
Year/Month
2020.07

KEY NO		PART NO	DESCRIPTION	SPEC	QTY	REPAIR	EFFECTIVE DATE	REMARKS
126	1	198686220	AUXILIARY PULLEY		1			
126	2	011511235	BOLT		3			

NOTE

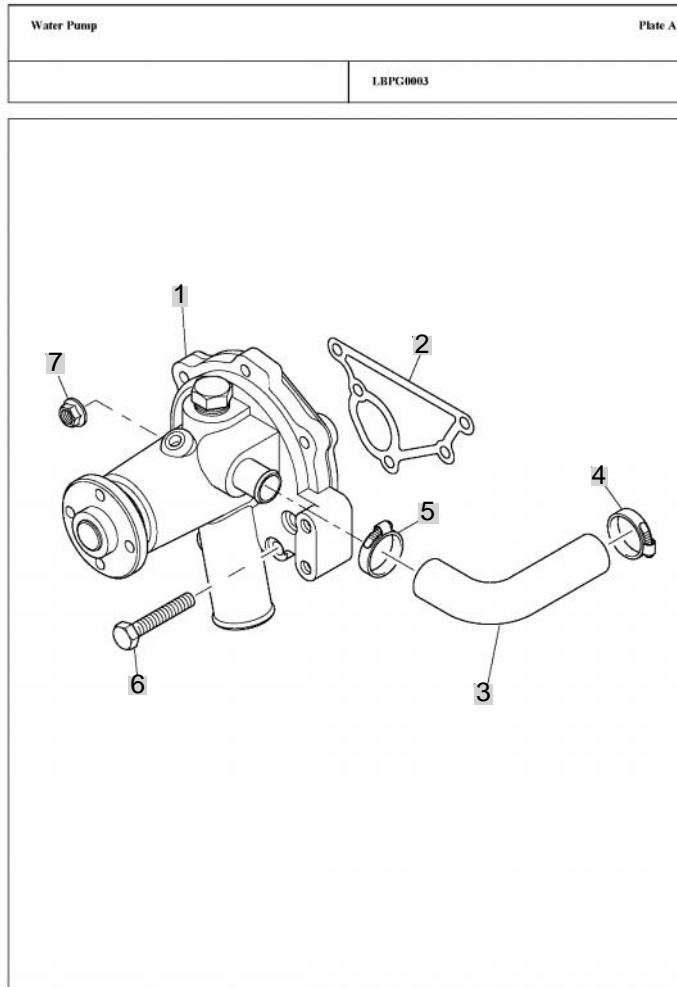
FIG 127

T503NC

Water Pump

년/월
Year/Month

2020.07



Page 88

NOTE

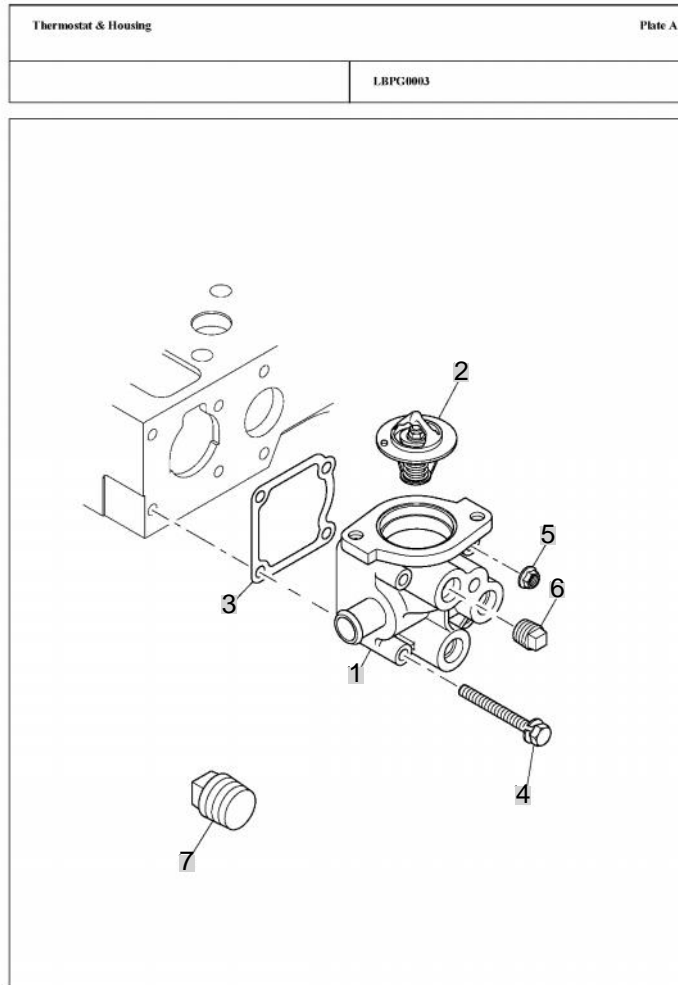
FIG 128

T503NC

Thermostat & Housing

년/월
Year/Month

2020.07



Page 90

NOTE

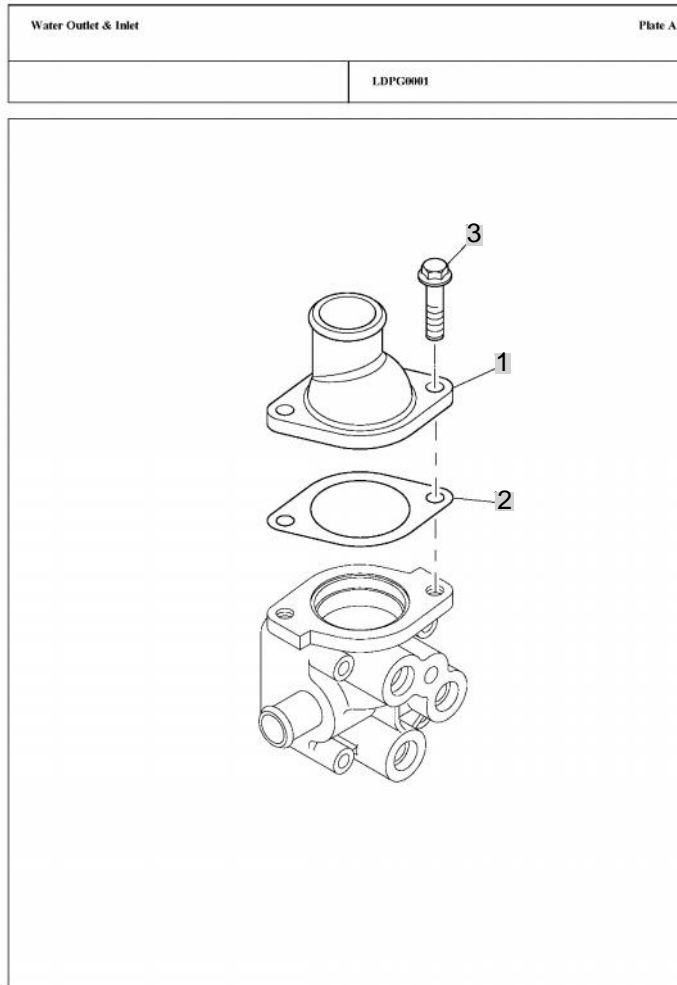
FIG 129

T503NC

Water Outlet & Inlet

년/월
Year/Month

2020.07



Page 92

NOTE

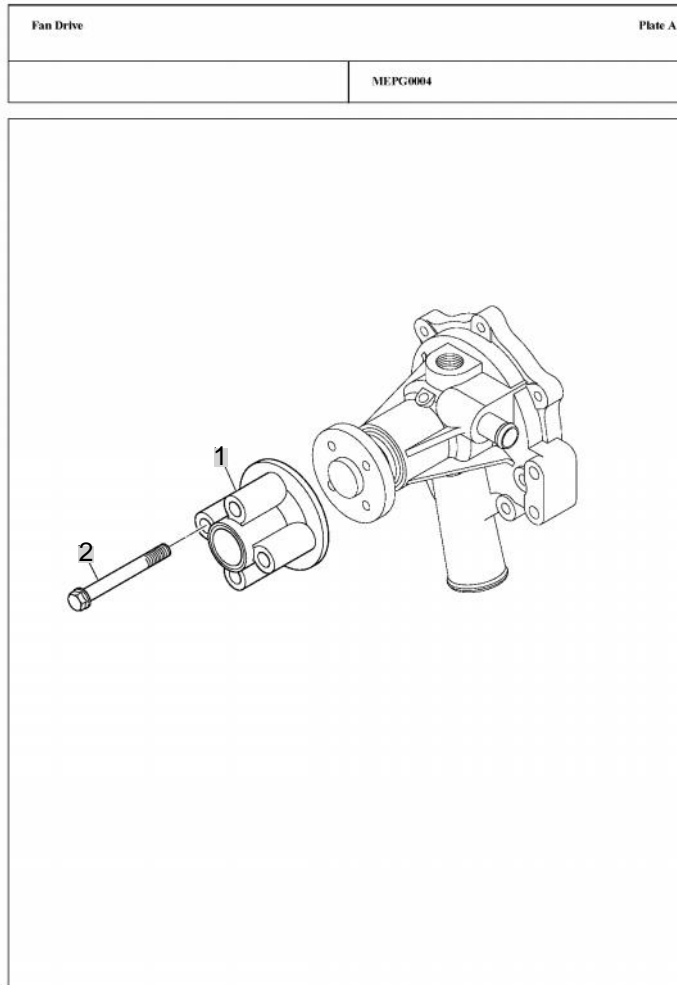
FIG 130

T503NC

Fan Drive

년/월
Year/Month

2020.07



Page 94

NOTE

FIG 130

T503NC

Fan Drive

년/월
Year/Month

2020.07

KEY NO		PART NO	DESCRIPTION	SPEC	QTY	REPAIR	EFFECTIVE DATE	REMARKS
130	1	145386540	FAN EXTENSION	1X1X1	1			
130	2	011310645	SCREW		4			
NOTE								

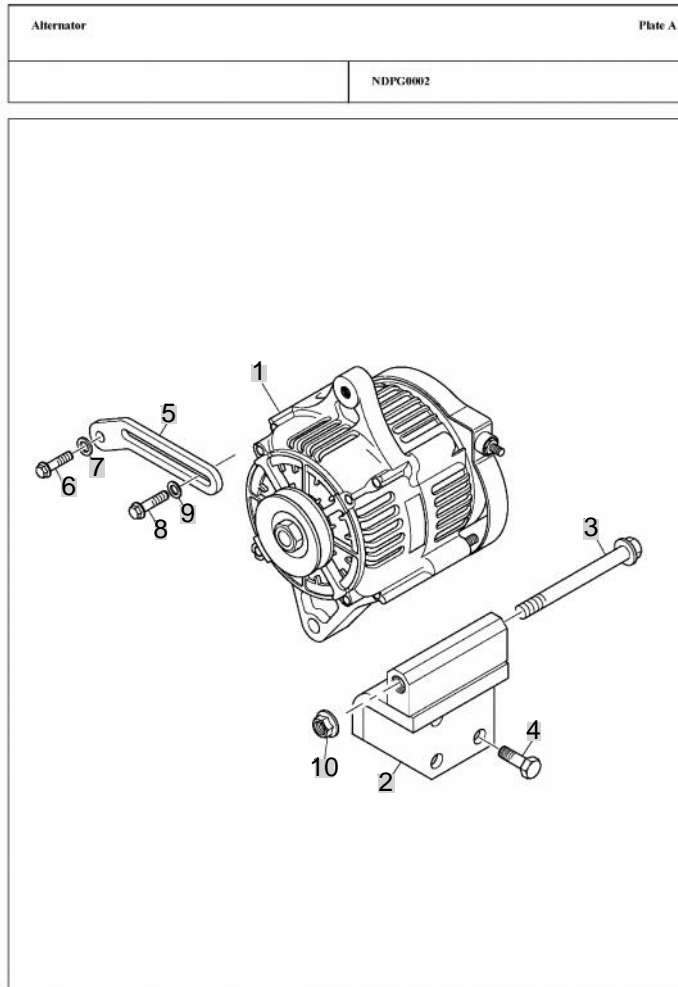
FIG 131

T503NC

Alternator

년/월
Year/Month

2020.07



Page 96

NOTE

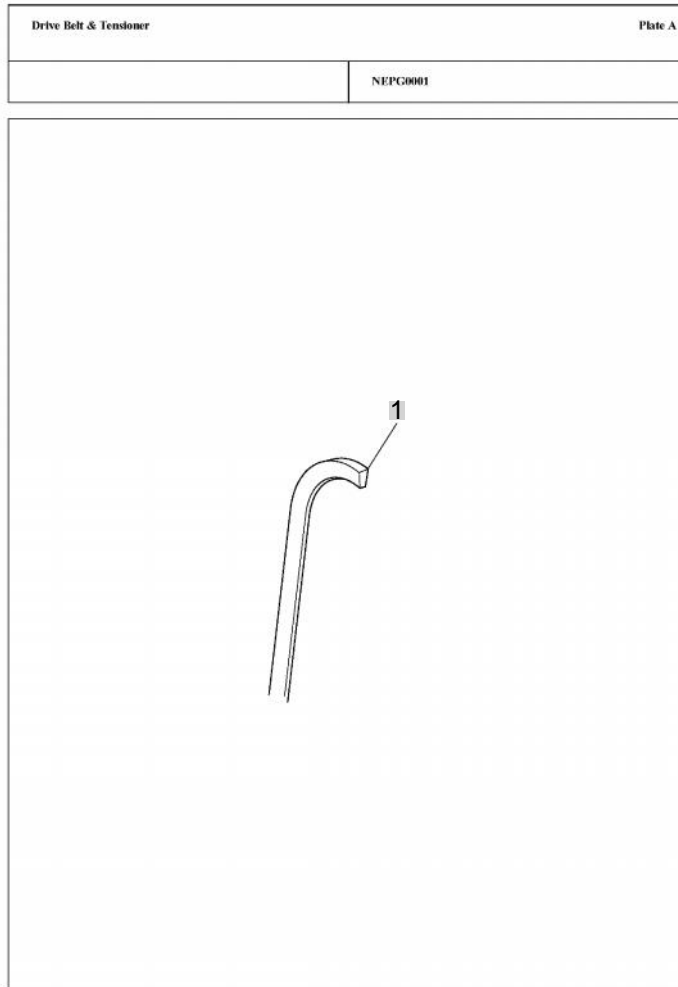
FIG 132

T503NC

Drive Belt & Tensioner

년/월
Year/Month

2020.07



Page 98

NOTE

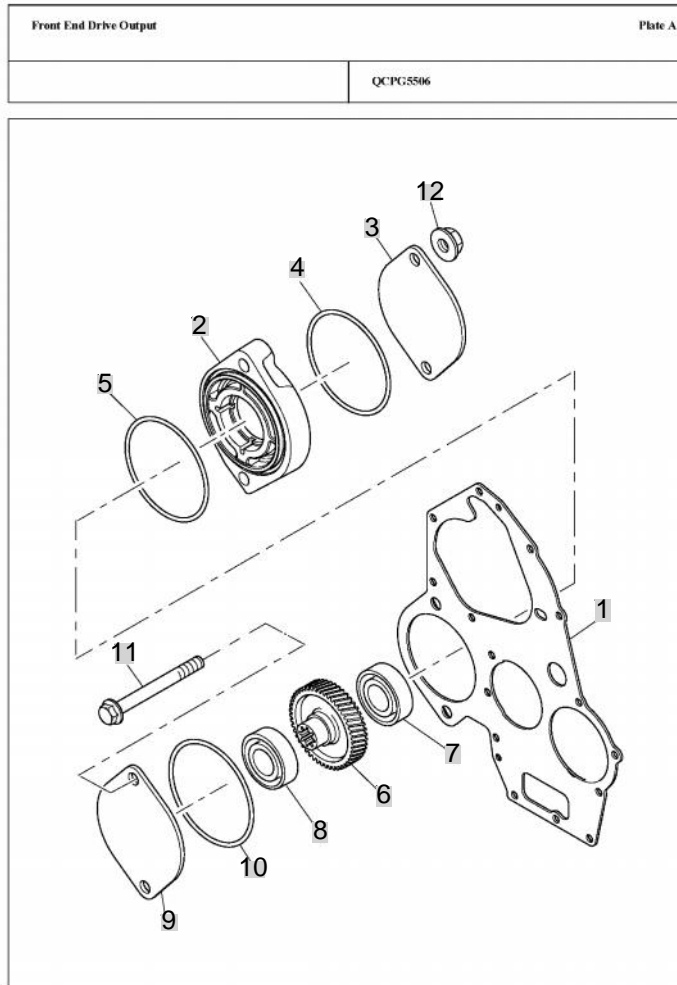
FIG 133

T503NC

Front End Drive Output

년/월
Year/Month

2020.07



Page 100

NOTE

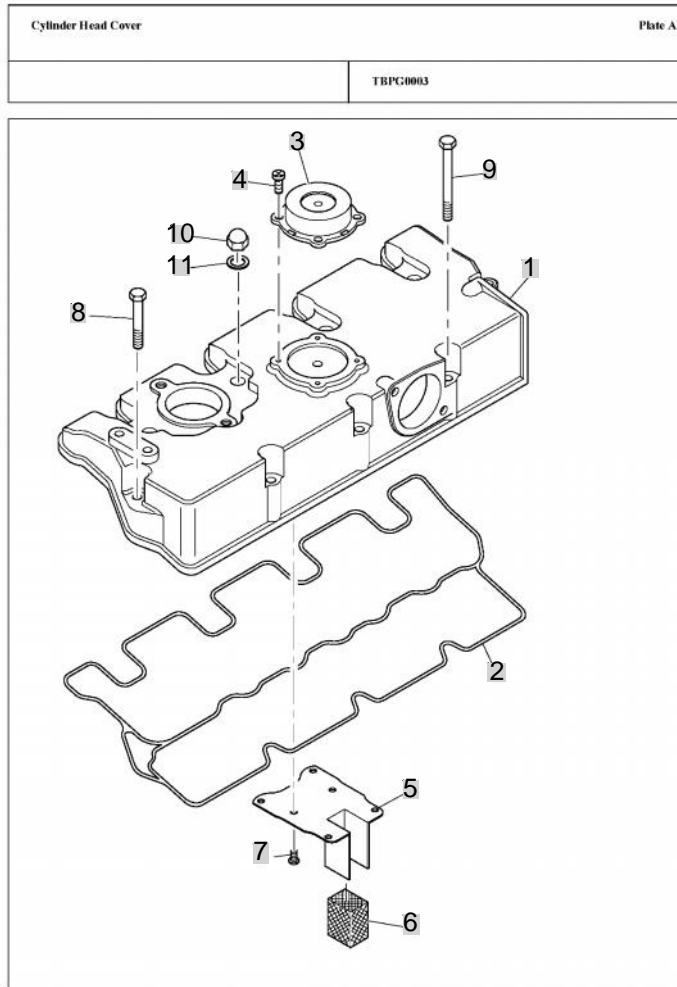
FIG 134

T503NC

Cylinder Head Cover

년/월
Year/Month

2020.07



Page 102

NOTE

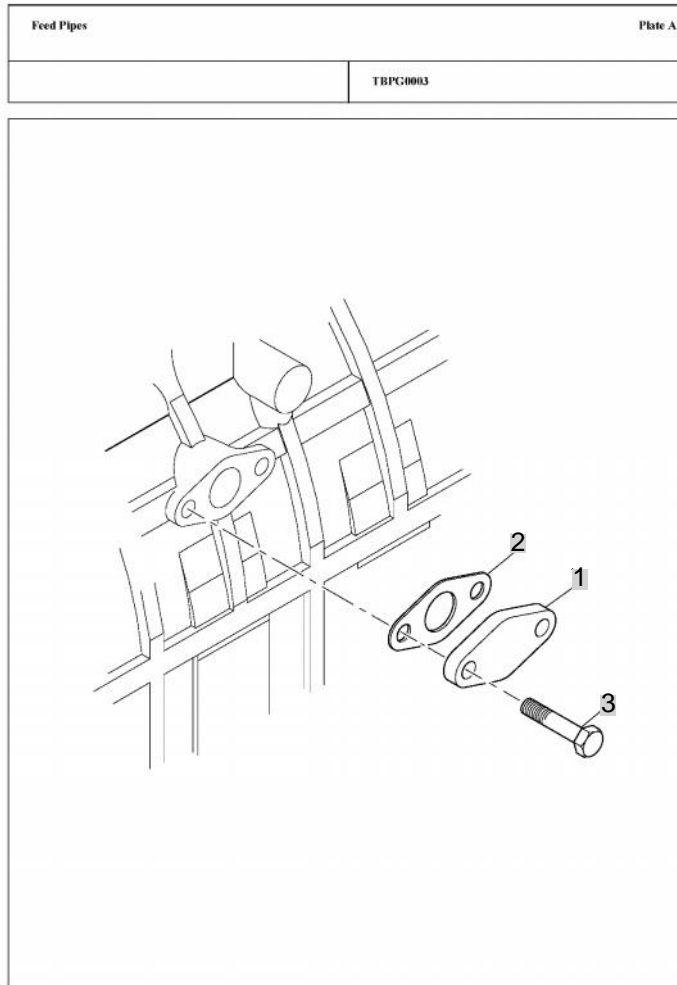
FIG 135

T503NC

Feed Pipes

년/월
Year/Month

2020.07



Page 104

NOTE

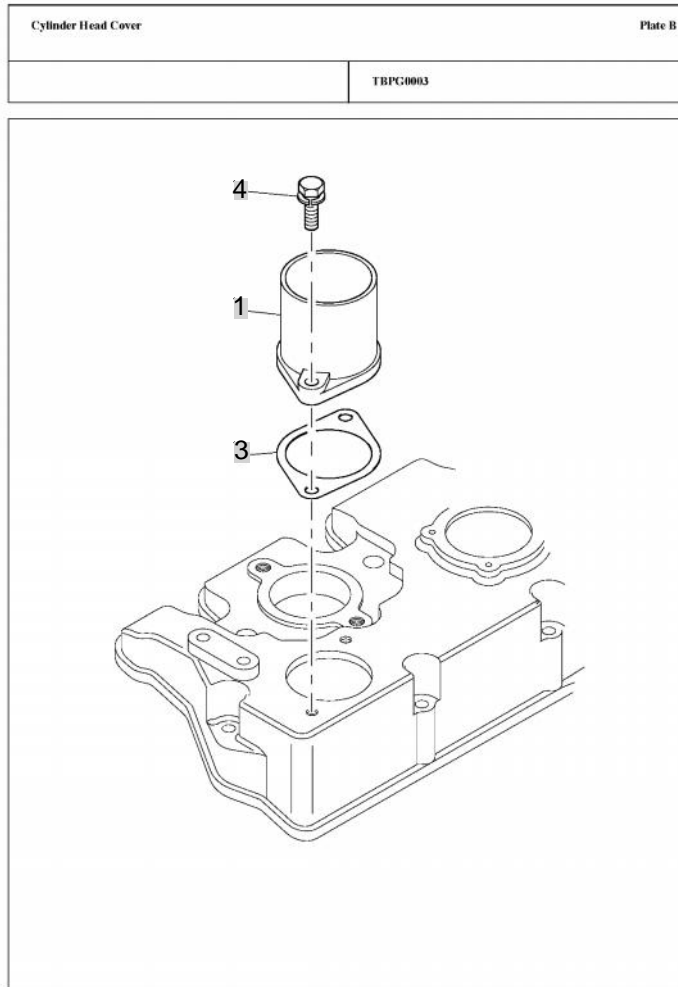
FIG 136

T503NC

Cylinder Head Cover

년/월
Year/Month

2020.07



Page 106

NOTE

FIG 136		Cylinder Head Cover					년/월		REMARKS
							Year/Month		
T503NC		2020.07							
KEY NO	PART NO	DESCRIPTION	SPEC	QTY	REPAIR	EFFECTIVE DATE			
136	1	135566570	PIPE - AIR		1				
136	2	135566460	AIR PIPE		1				
136	3	135996950	GASKET		1				
136	4	011310620	SCREW		2				
NOTE									

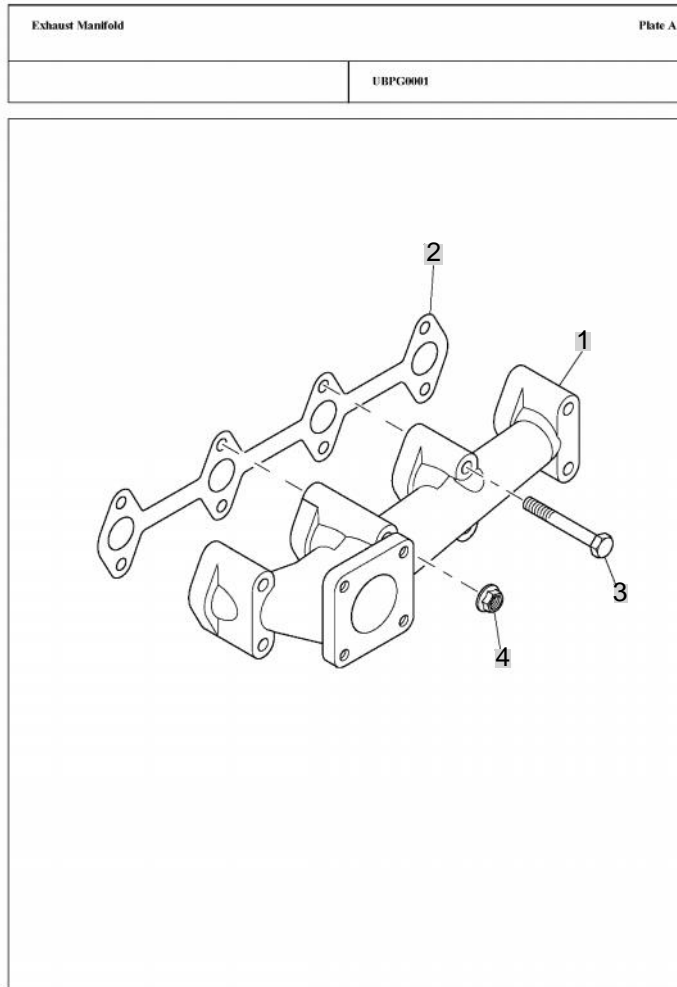
FIG 137

T503NC

Exhaust Manifold

년/월
Year/Month

2020.07



Page 108

NOTE

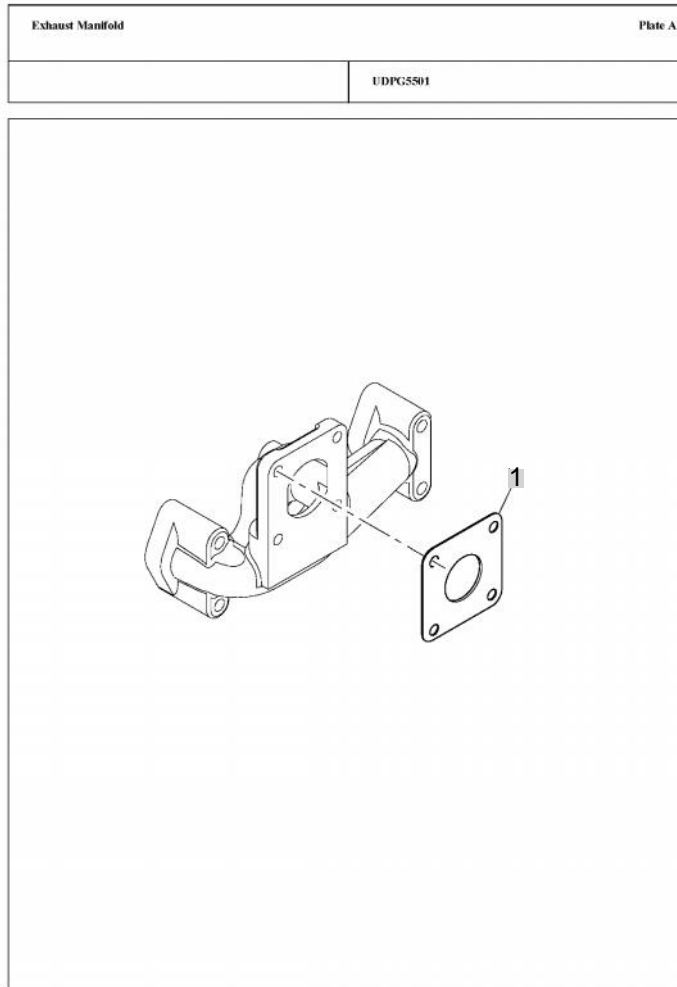
FIG 137-1

T503NC

Exhaust Manifold

년/월
Year/Month

2020.07



Page 110

NOTE

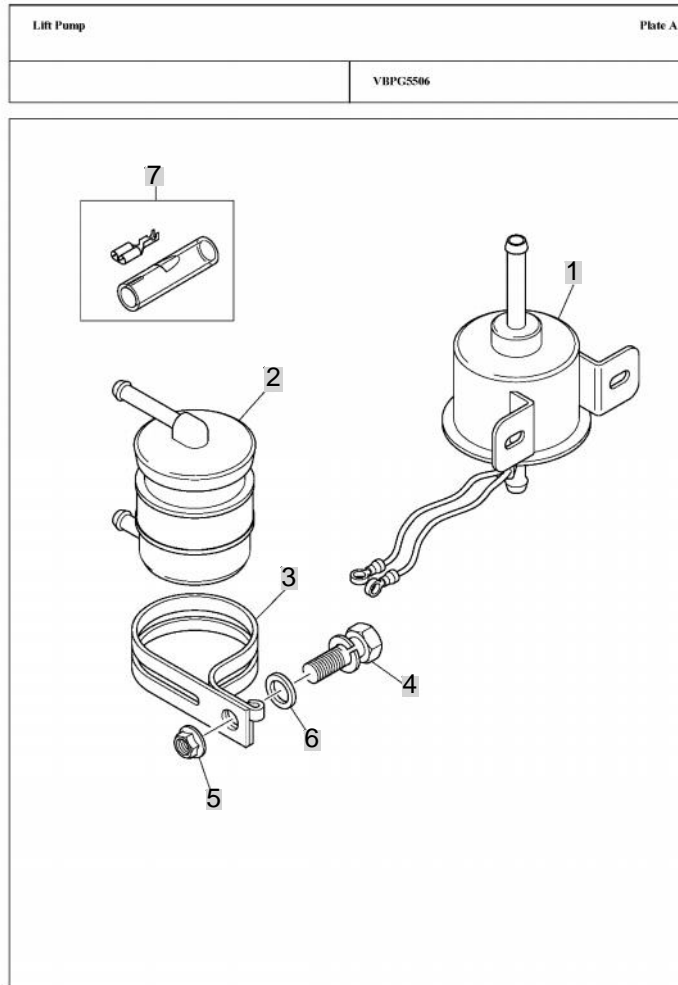
FIG 138

T503NC

Lift Pump

년/월
Year/Month

2020.07



Page 112

NOTE

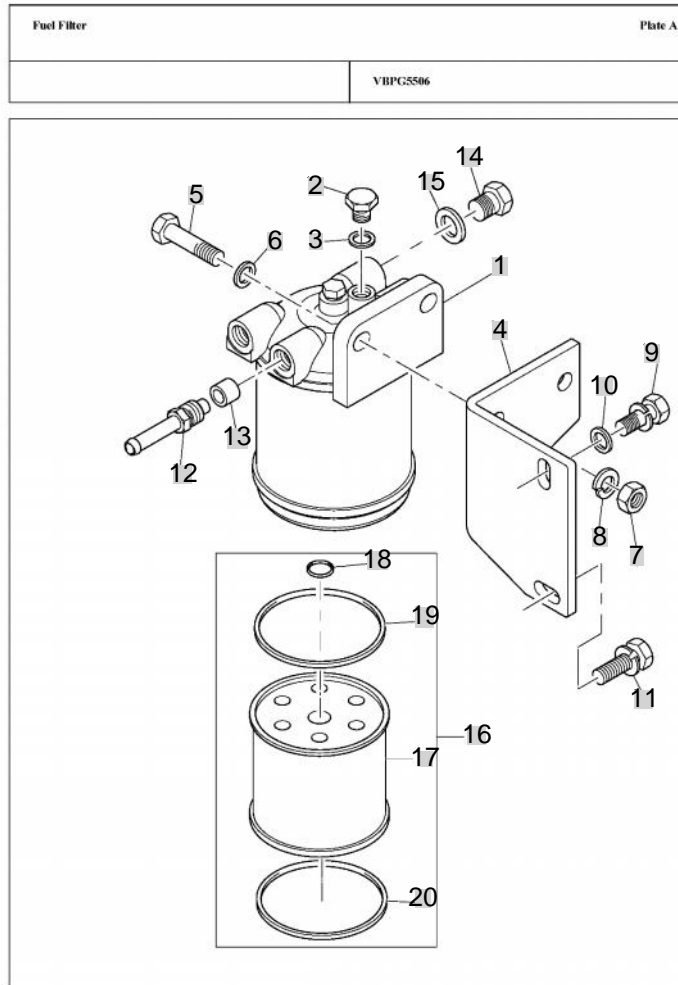
FIG 139

T503NC

Fuel Filter

년/월
Year/Month

2020.07



Page 114

NOTE

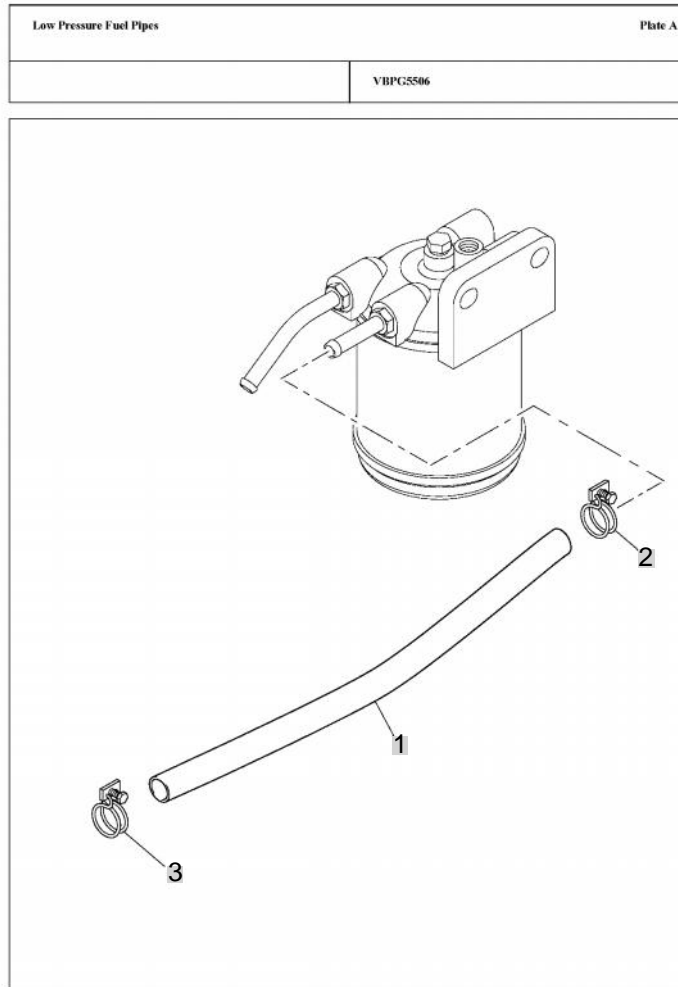
FIG 140

T503NC

Low Pressure Fuel Pipes

년/월
Year/Month

2020.07



Page 116

NOTE

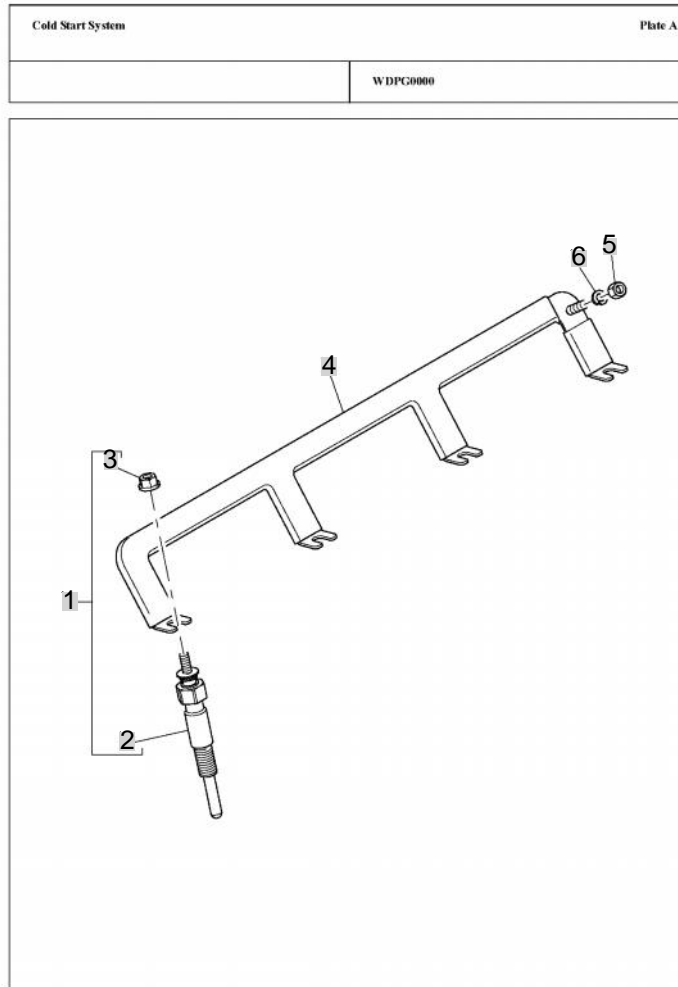
FIG 141

T503NC

Cold Start System

년/월
Year/Month

2020.07



Page 118

NOTE

FIG 141		Cold Start System						년/월	REMARKS
								Year/Month	
T503NC								2020.07	
KEY NO	PART NO	DESCRIPTION	SPEC	QTY	REPAIR	EFFECTIVE DATE			
141	1	18536619	GLOWPLUG				4		
141	2	--	Not seiced separately				1		
141	3	--	Not seiced separately				1		
141	4	185376150	BAR				1		
141	5	020100004	NUT				1		
141	6	027100004	WASHER				1		
NOTE									

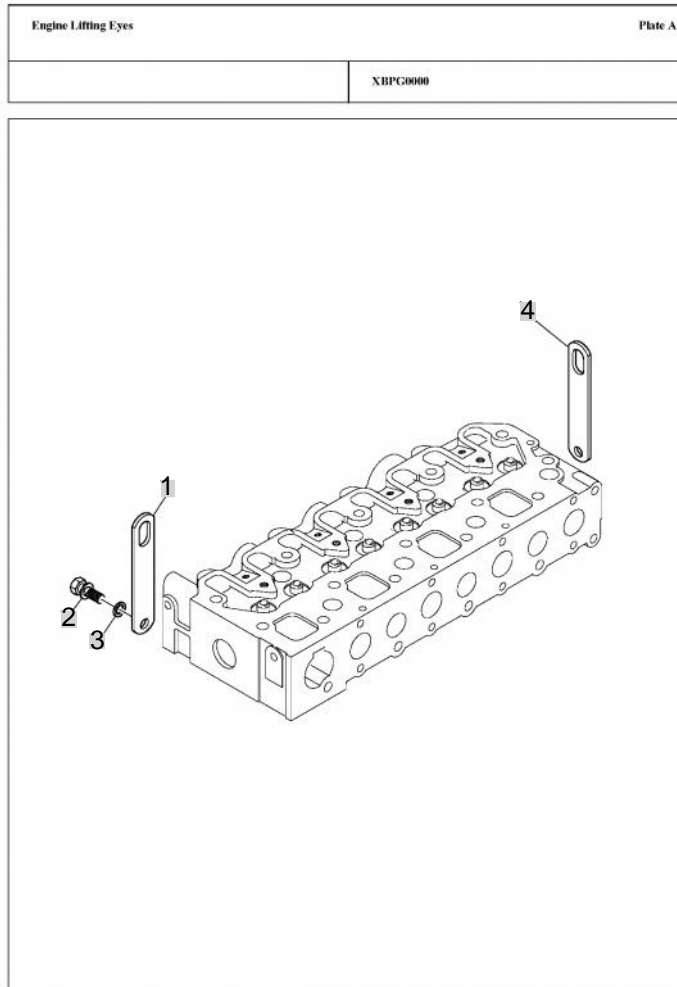
FIG 142

T503NC

Engine Lifting Eyes

년/월
Year/Month

2020.07



Page 120

NOTE

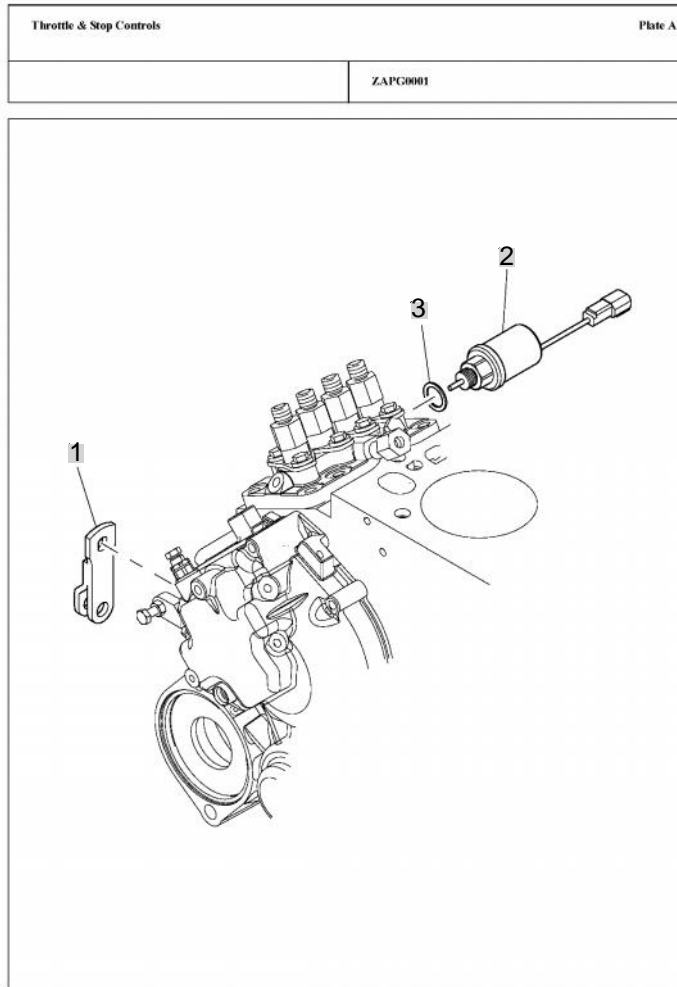
FIG 143

T503NC

Throttle & Stop Controls

년/월
Year/Month

2020.07



Page 122

NOTE

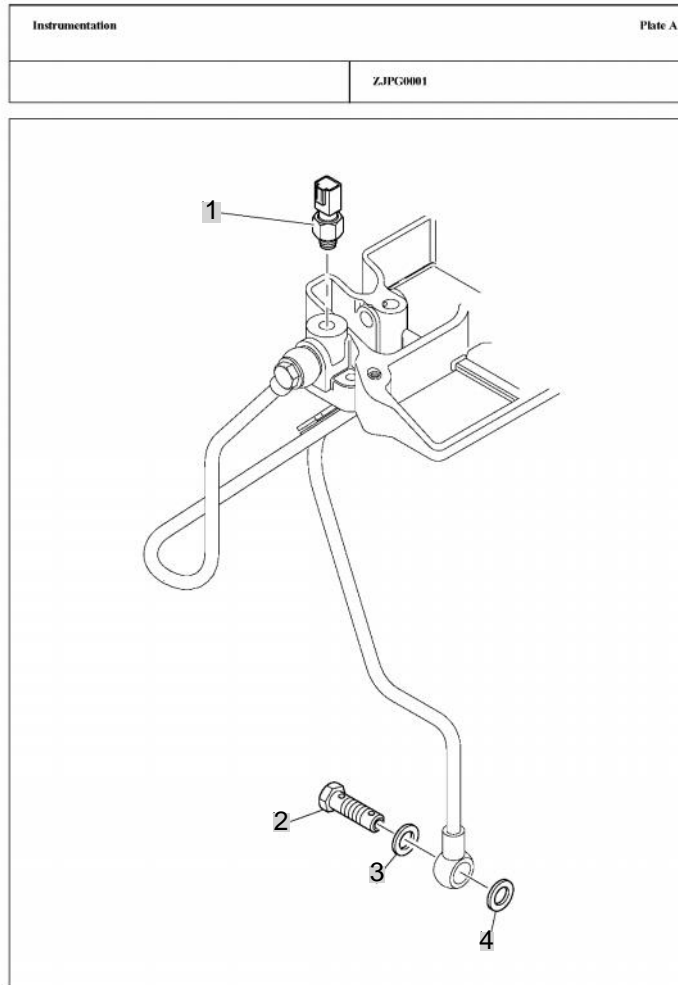
FIG 144

T503NC

Instrumentation

년/월
Year/Month

2020.07



Page 124

NOTE

FIG 144 T503NC		Instrumentation						년/월 Year/Month
								2020.07
KEY NO	PART NO		DESCRIPTION	SPEC	QTY	REPAIR	EFFECTIVE DATE	REMARKS
144	1	185246210	OIL PRESSURE SWITCH		1			
144	2	198486780	BOLT		1			
144	3	140996260	WASHER		1			
144	4	140996260	WASHER		1			
NOTE								

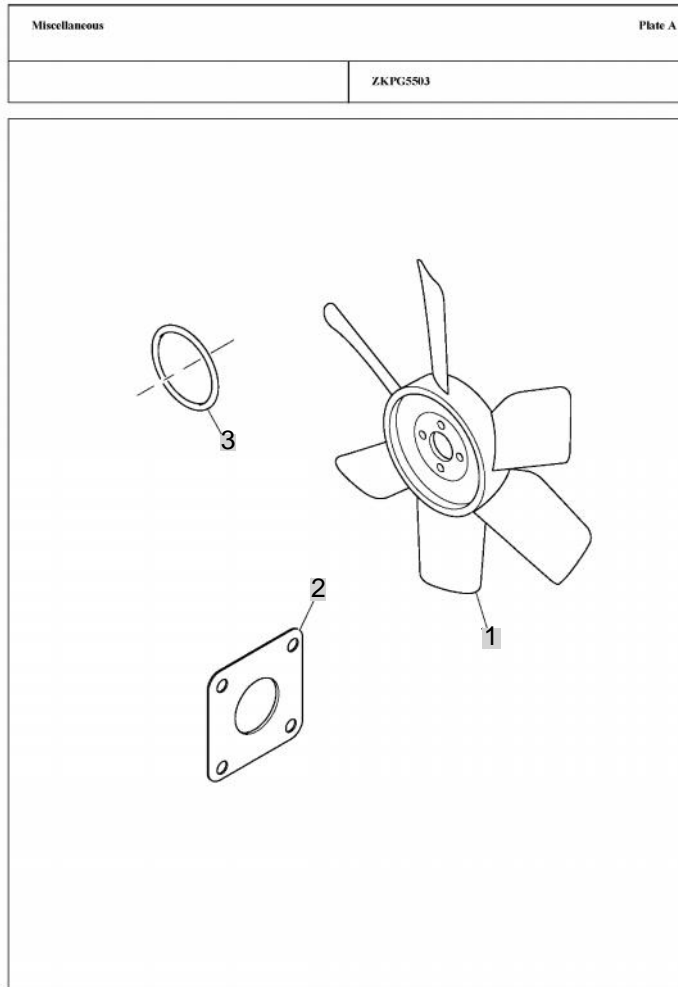
FIG 145

T503NC

Miscellaneous

년/월
Year/Month

2020.07



Page 126

NOTE

FIG 145		Miscellaneous					년/월 Year/Month	
T503NC						2020.07		
KEY NO	PART NO	DESCRIPTION	SPEC	QTY	REPAIR	EFFECTIVE DATE	REMARKS	
145	1	145306230	FAN	1X1X1	1		20120516	
145	2	314990013	GASKET - EXHAUST		1			
145	3	052300700	SEAL - O RING		1			
NOTE								

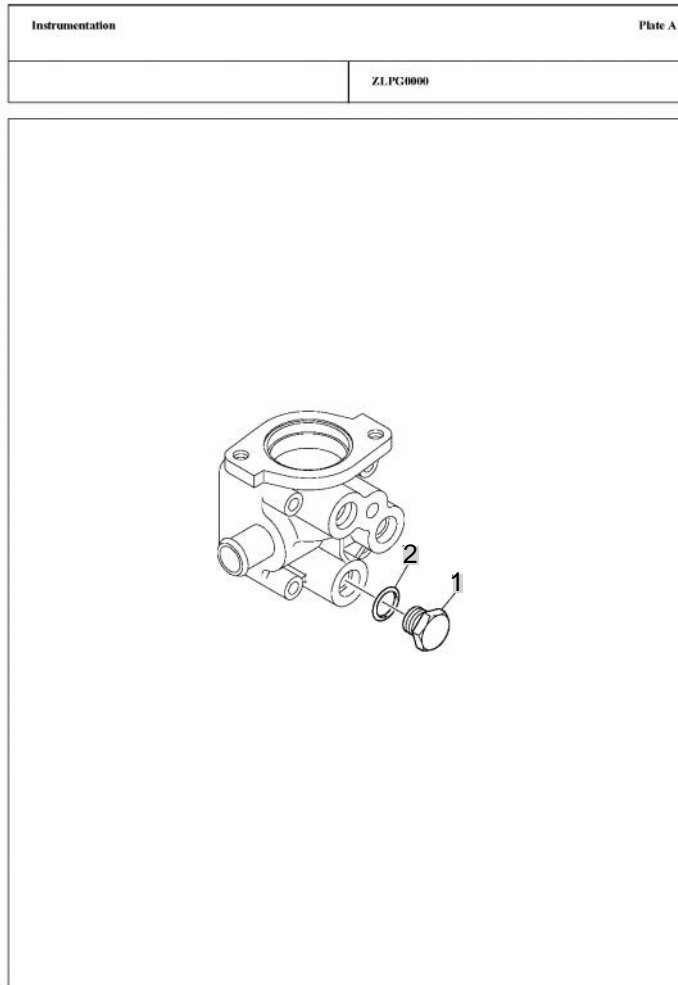
FIG 146

T503NC

Instrumentation

년/월
Year/Month

2020.07



Page 128

NOTE

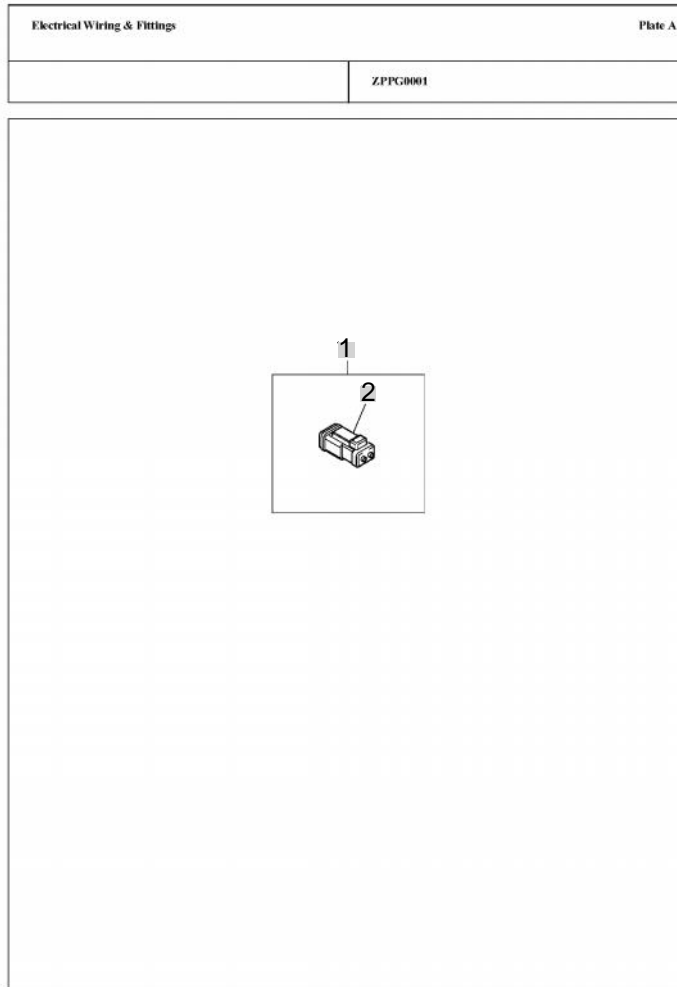
FIG 147

T503NC

Electrical Wiring & Fittings

년/월
Year/Month

2020.07



Page 130

NOTE

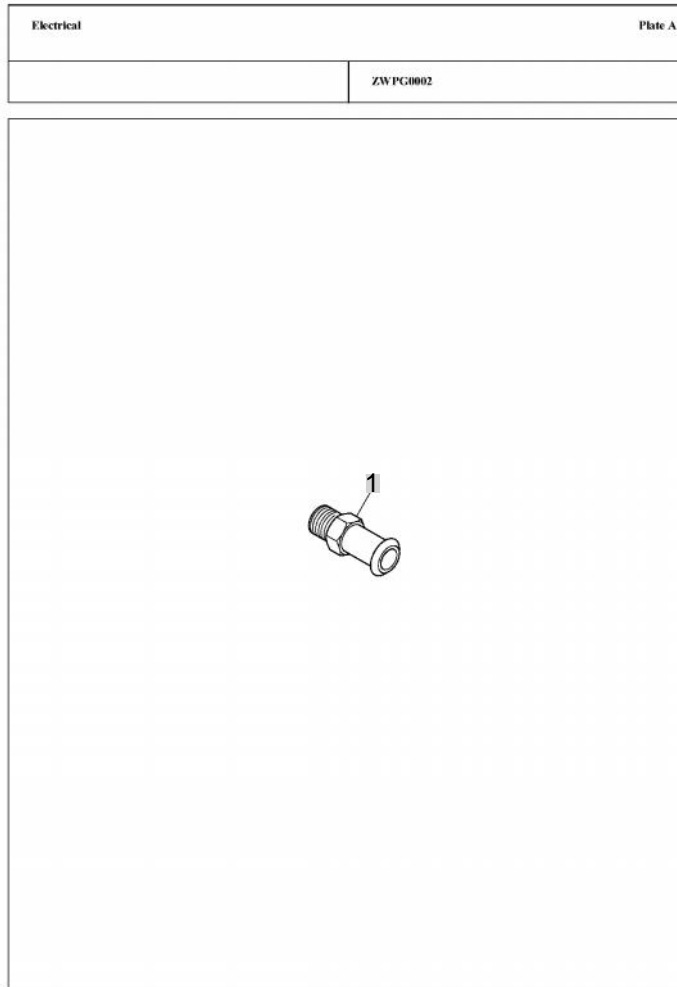
FIG 148

T503NC

Electrical

년/월
Year/Month

2020.07



Page 132

NOTE

Z. ENGINE ACCESSORIES & CONTROL PART NO.

T503NC-E-C2

FIG 201 AIR CLEANER	128
FIG 202 RADIATOR	130
FIG 203 MUFFLER	132
FIG 204 FUEL HOSE & FILTER	134
FIG 205 FUEL TANK	136
FIG 206 ACCELERATOR	138

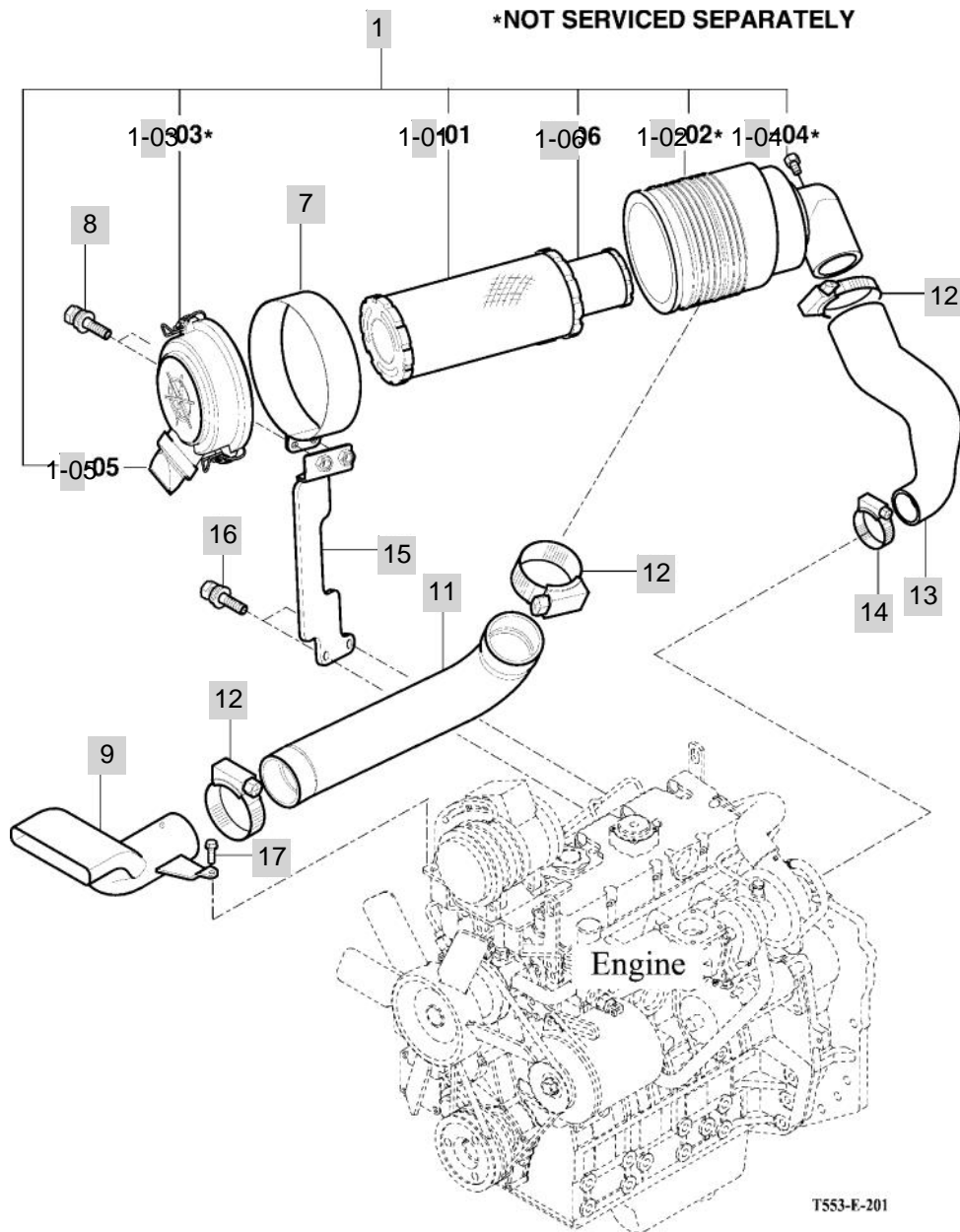
FIG 201

AIR CLEANER

년/월
Year/Month

2020.07

T503NC



NOTE

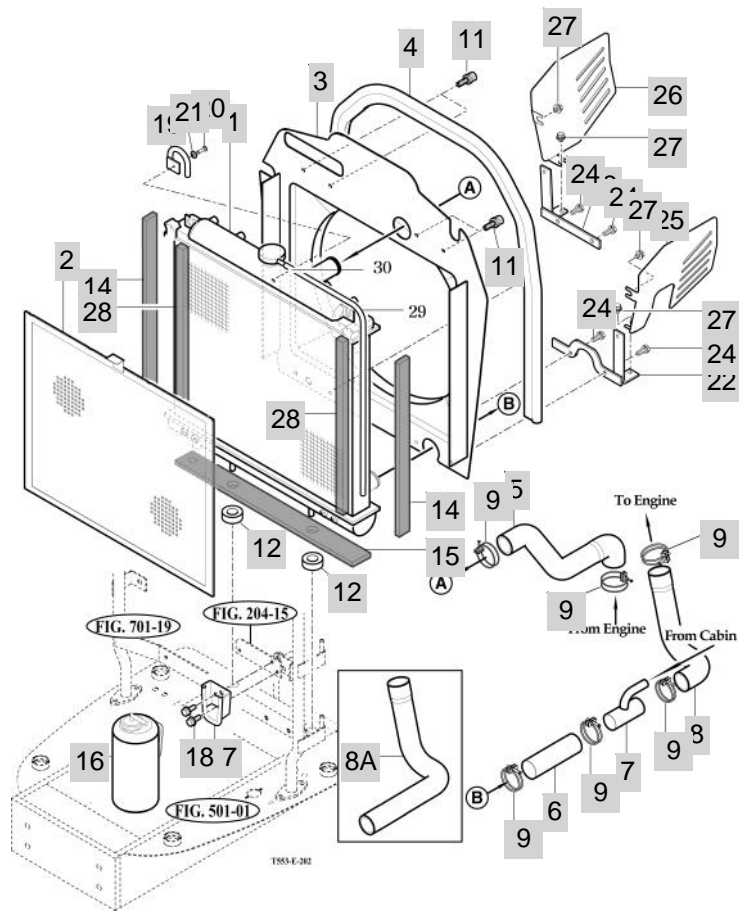
FIG 202

RADIATOR

년/월
Year/Month

2020.07

T503NC



NOTE

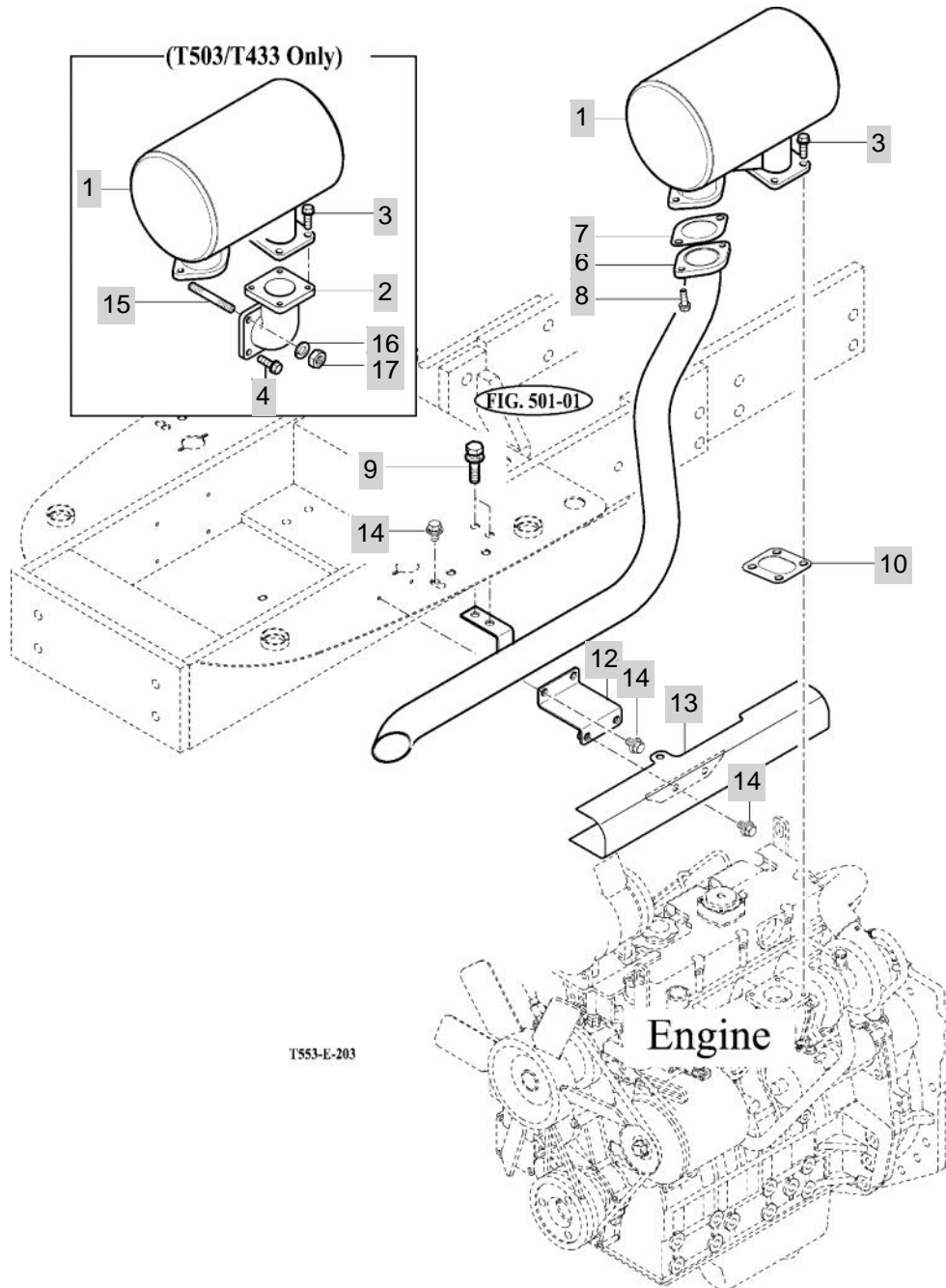
FIG 203

MUFFLER

년/월
Year/Month

2020.07

T503NC



NOTE

FIG 203 T503NC		MUFFLER						년/월 Year/Month	
								2020.07	
KEY NO		PART NO	DESCRIPTION	SPEC	QTY	REPAIR	EFFECTIVE DATE	REMARKS	
203	1	19951052003DD	MUFFLER COMP	1X1X1	1		20090325		
203	2	15151050010DD	CONNECTOR, PIPE	1X1X1	1				
203	3	V2173608025	BOLT , HEX/S	M8X25	6		20080417		
203	4	V2173608025	BOLT , HEX/S	M8X25	6		20080417		
203	6	14521054201DD	PIPE EXHAUST COMP	1X1X1	1				
203	7	19951030011	GASKET	95X95X1.2	1				
203	8	V2173608025	BOLT , HEX/S	M8X25	6		20080417		
203	9	V2183608016	BOLT , HEX/SP	M8X16	2		20091203		
203	10	153-7920	METAL GASKET		1	B			
203	12	14521043200GB	BRACKET COMP , EXHAUST SHIELD	1X1X1	1				
203	13	19941053100GB	SHIELD COMP , EXHAUST PIPE		1				
203	14	V2183608016	BOLT , HEX/SP	M8X16	2		20091203		
203	15	V2513408020	BOLT , STUD/2	M8X20	2		20080417		
203	16	V4011600080	WASHER , SPRING	M8	2		20081201		
203	17	V3043600080	NUT , HEX/2	M8	1		20081001		
NOTE									

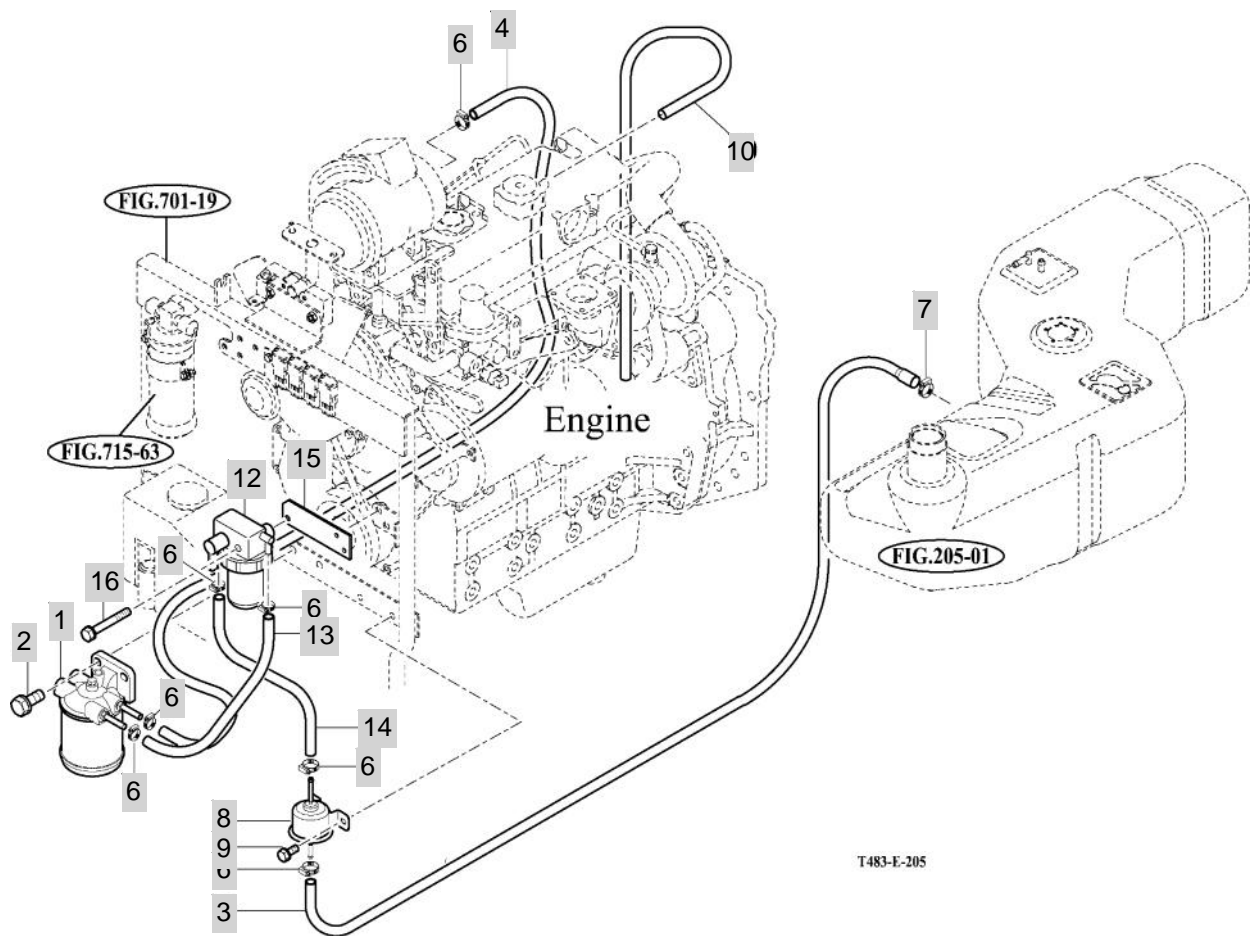
FIG 204

T503NC

FUEL HOSE & FILTER

년/월
Year/Month

2020.07



T483-E-205

NOTE

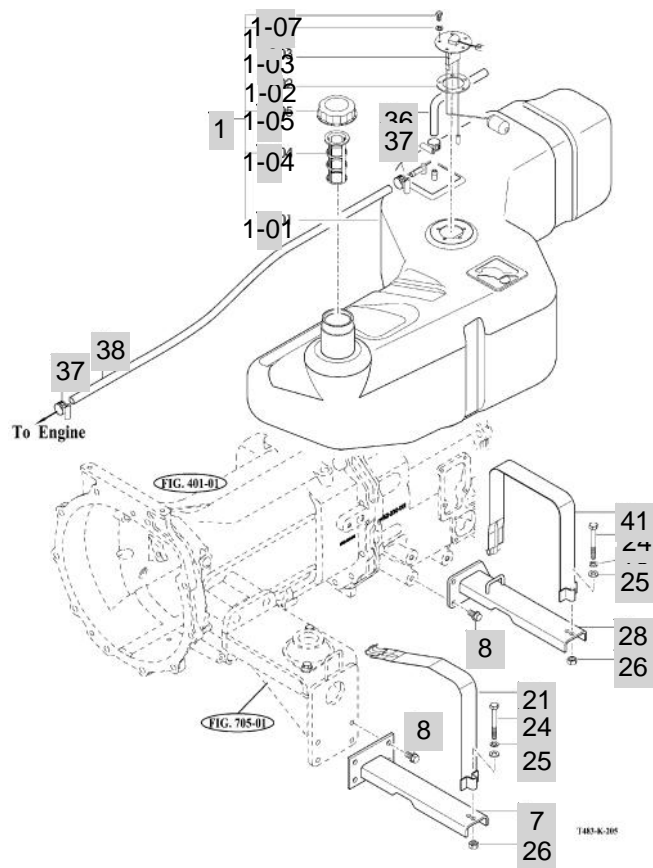
FIG 205

T503NC

FUEL TANK

년/월
Year/Month

2020.07



NOTE

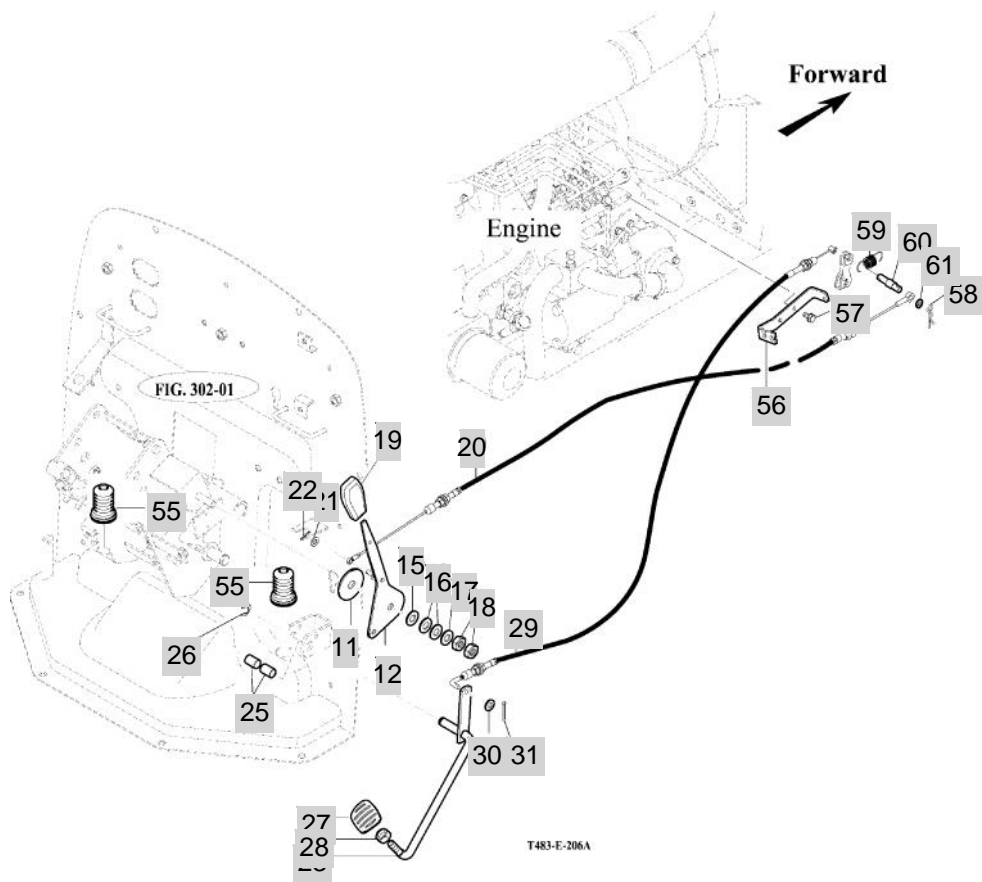
FIG 206

T503NC

ACCELERATOR

년/월
Year/Month

2020.07



NOTE

3. CLUTCH, BRAKE, STEERING PART NO. T503NC-E-C3

FIG 301 CLUTCH	141
FIG 302 CLUTCH PEDAL	143
FIG 303 BRAKE	146
FIG 304 BRAKE PEDAL & LINKAGE	148
FIG 305B FRONT WHEEL	150
FIG 305C FRONT WHEEL-R4(OPTION)	152
FIG 306A REAR WHEEL	154
FIG 306C REAR WHEEL-R4(OPTION)	156
FIG 307 POWER STEERING WHEEL	158
FIG 308 POWER STEERING VALVE	160
FIG 309 POWER STEERING CYLINDER	162
FIG 310 HAND BRAKE	164

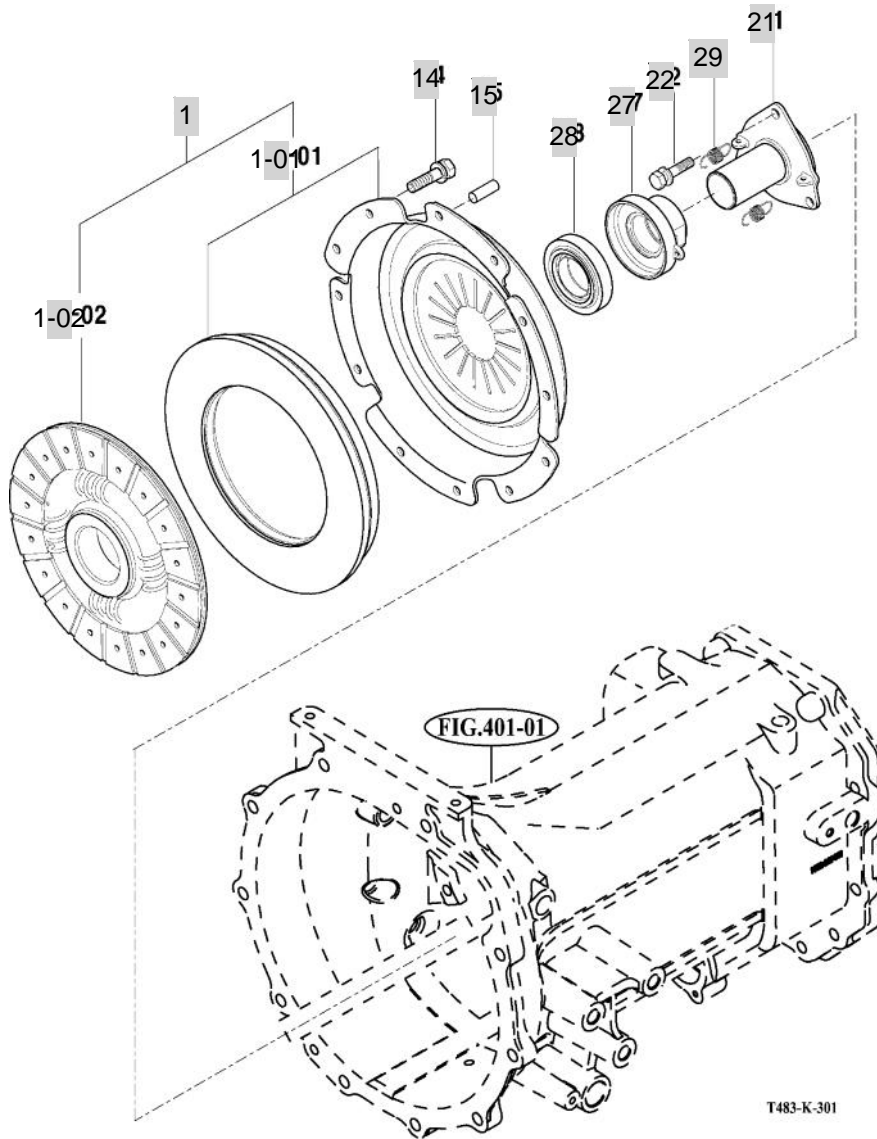
FIG 301

T503NC

CLUTCH

년/월
Year/Month

2020.07



NOTE

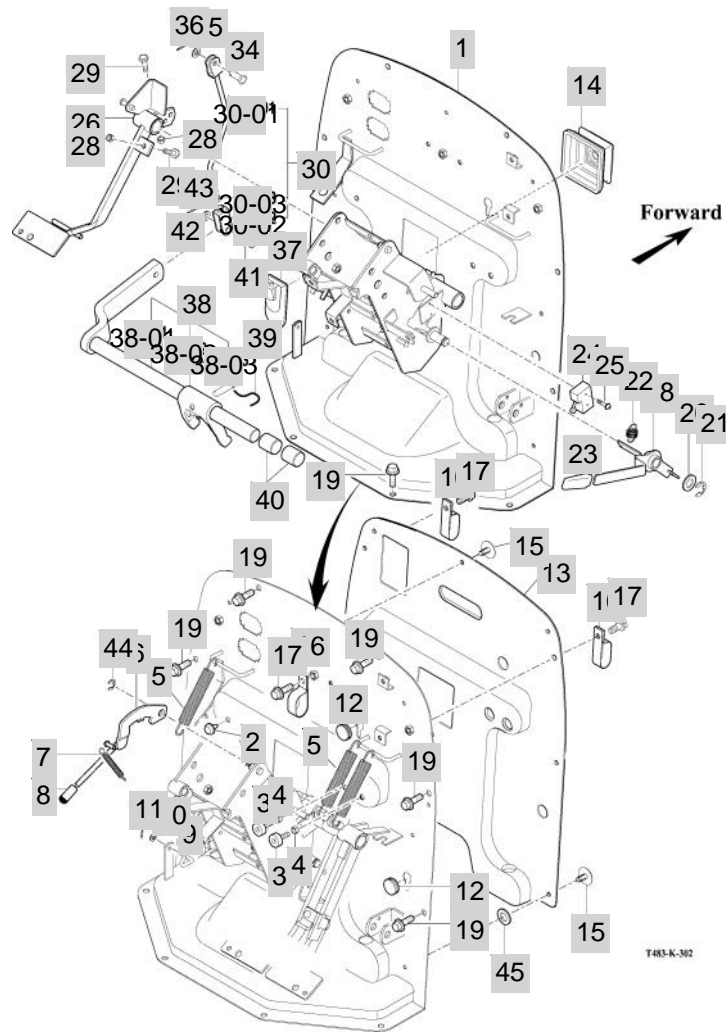
FIG 302

CLUTCH PEDAL

년/월
Year/Month

2020.07

T503NC



NOTE

FIG 302		CLUTCH PEDAL					년/월 Year/Month		
							2020.07		
T503NC		KEY NO	PART NO	DESCRIPTION	SPEC	QTY	REPAIR	EFFECTIVE DATE	REMARKS
302	1	14526303202GB	DASH PANEL COMP	1X1X1	1			20081224	
302	2	14326160020	RUBBER , CUSHION	1X1X1	0			20100611	
302	3	14216020051	RUBBER , CUSHION B	1X1X1	3			20030901	
302	4	V3043600080	NUT , HEX/2	M8	1			20081001	
302	5	14041200080	RETURN SPRING , CLUTCH	HL2000공용	3				
302	6	14724042401GB	LEVER COMP , TILT	1X1X1	1			20061101	
302	7	16001200080	RETURN SPRING , BRAKE	1X1X1	1				
302	8	21615250020	GRIP , LEVER/RED		2			20070121	
302	9	15441230050	ROD	D=5.25 5.3	1				
302	10	V4111600060	WASHER , PLAIN	M6	3			20090626	
302	11	V5001920020	PIN , SPLIT	2X20	1			20040501	
302	12	13016400010	SEAL , BATTERY BRACKET	T=0.25	1			20111130	
302	13	14527071991	INSULATOR,DASH	T=10	1				
302	14	14526300011	BOOT,STEERING/HOSE	T=1.5	1				
302	15	17686040020	RIVET SET , black	SV625	0			20080129	
302	16	14441010161	CLAMP , RADIATOR HOSE	1X1X1	1			20111221	
302	17	V2183608020	BOLT , HEX/SP	M8X20	4			20081201	
302	18	14523293300GB	LEVER COMP,PARKING		1				
302	19	V2183608016	BOLT , HEX/SP	M8X16	2			20091203	
302	20	13016400010	SEAL , BATTERY BRACKET	T=0.25	1			20111130	
302	21	V7081400150	E-RING	15	1				
302	22	14321200040	SPRING , TENSION 31	D=1.2	0			20101126	
302	23	21457510041	GRIP , PLANTING CLUTCH	1X1X1	2				
302	24	16756214701	SWITCH ASSY , SAFETY	1X1X1	1				
302	25	V1222604025	SCREW , C/R PAN/SP	M4X25	2				
302	26	14571332100GB	PEDAL COMP , CLUTCH	1X1X1	1				
302	28	V3043600080	NUT , HEX/2	M8	1			20081001	
302	29	V2013608030	BOLT , HEX	M8X30	2			20081201	
302	30	14521330002	ROD SUB , CLUTCH	398*87	1			20100225	
302	30-01	14521333103	ROD COMP , CLUTCH	346*87	1			20100225	
302	30-02	14521333200	HOOK COMP	1X1X1	1				
302	30-03	V2183608020	BOLT , HEX/SP	M8X20	4			20081201	
302	34	14322420010	PIN	D=8	2			20110321	
302	35	V4111600080	WASHER , PLAIN	M8	4			20081201	
302	36	V5001925020	PIN D2.5x20	2.5X20	0			20081201	
302	37	14546301230	INSULATOR , CLUTCH PEDAL	1X1X1	1			20100611	
302	38	14521302000	BAR SET	1X1X1	1				
302	38-01	14521302100	BAR COMP		1				
302	38-02	14521300011	FORK , RELEASE	1X1X1	1			20070713	
302	38-03	15601300010	PIN , 08X40	1X1X1	1				
302	39	V5901012150	WIRE , STEEL	1.2X150	1			20030901	
302	40	14521302150	BUSH , BAR COMP	1X1X1	2				
302	41	14043120060	PIN , YOKE	D=8	2			20100712	
302	42	V4111600080	WASHER , PLAIN	M8	4			20081201	
302	43	V5001920020	PIN , SPLIT	2X20	1			20040501	
NOTE									

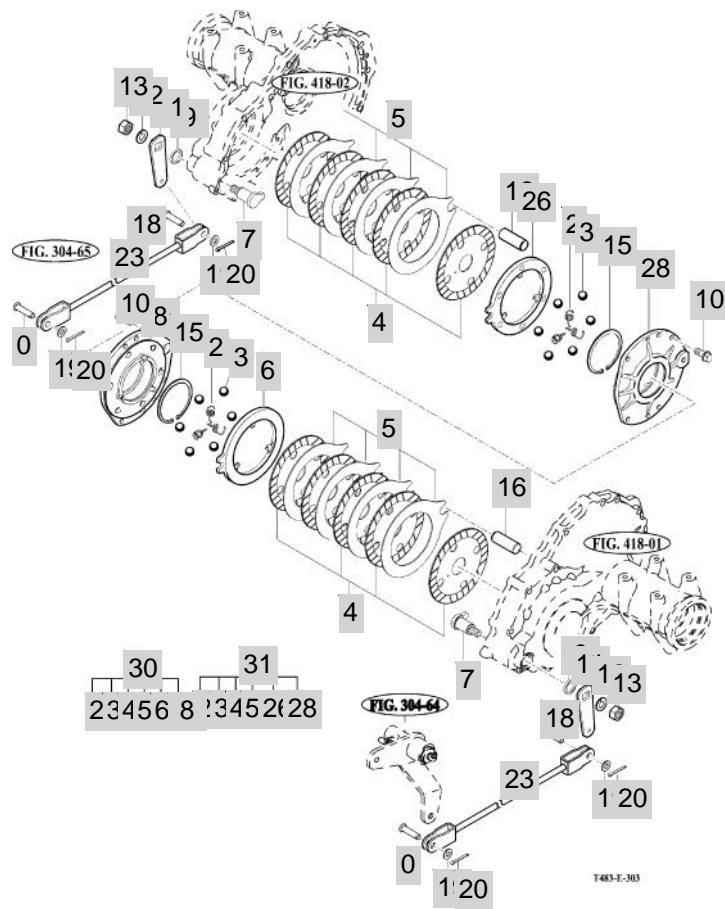
FIG 303

T503NC

BRAKE

년/월
Year/Month

2020.07



NOTE

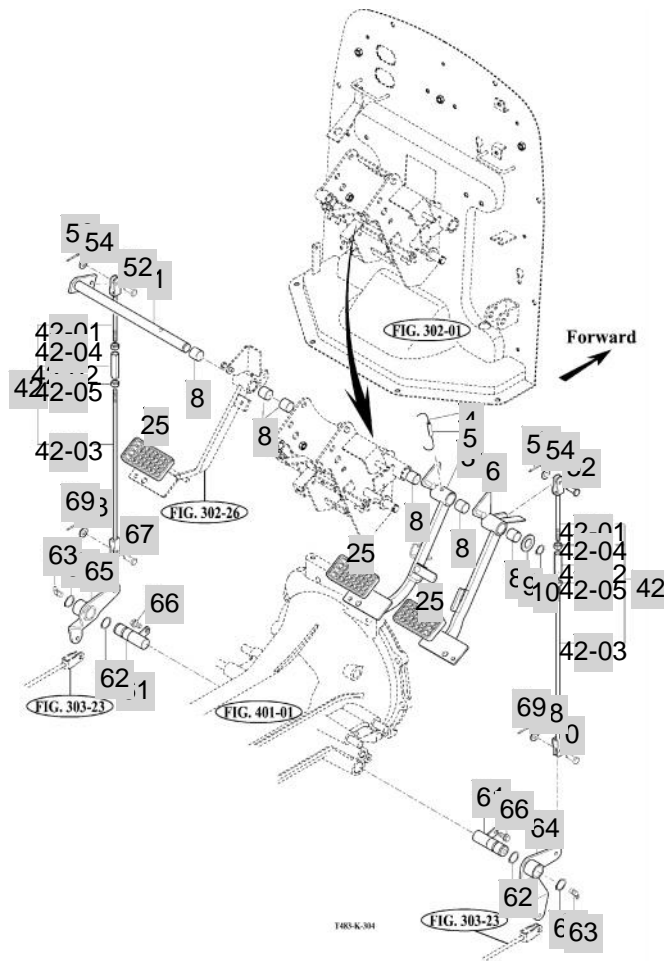
FIG 304

T503NC

BRAKE PEDAL & LINKAGE

년/월
Year/Month

2020.07



NOTE

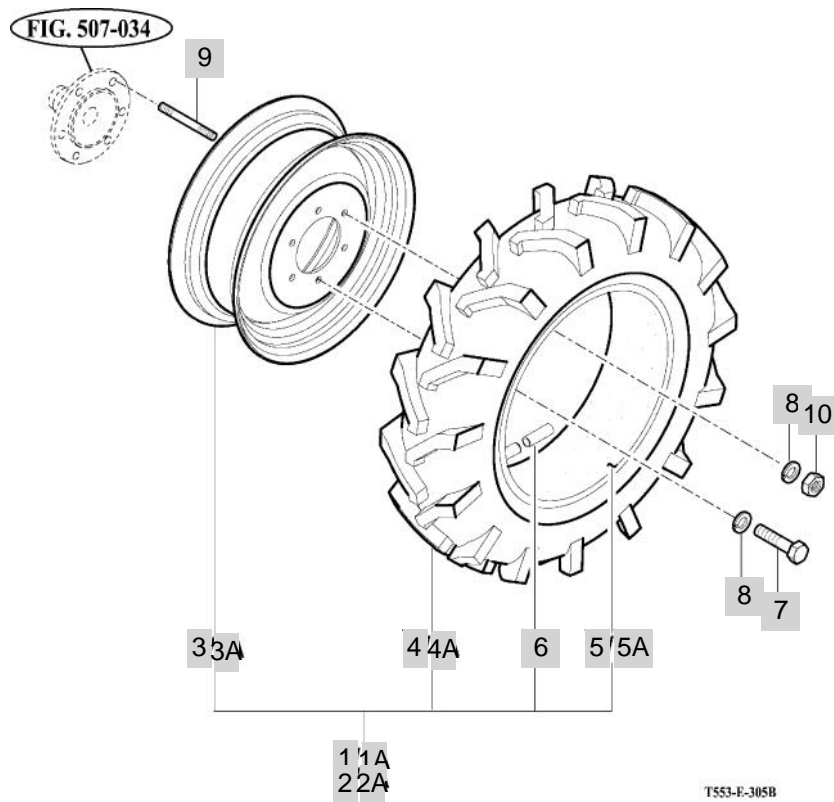
FIG 305B

T503NC

FRONT WHEEL

년/월
Year/Month

2020.07



NOTE

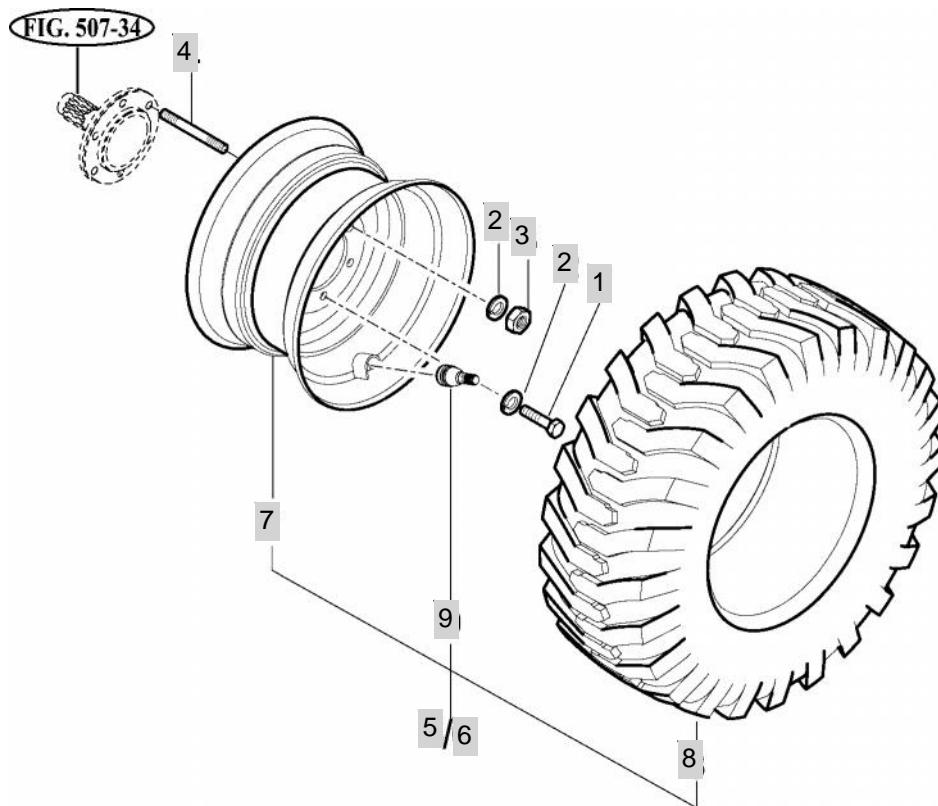
FIG 305C

T503NC

FRONT WHEEL-R4(OPTION)

년/월
Year/Month

2020.07



T553-E-305C

NOTE

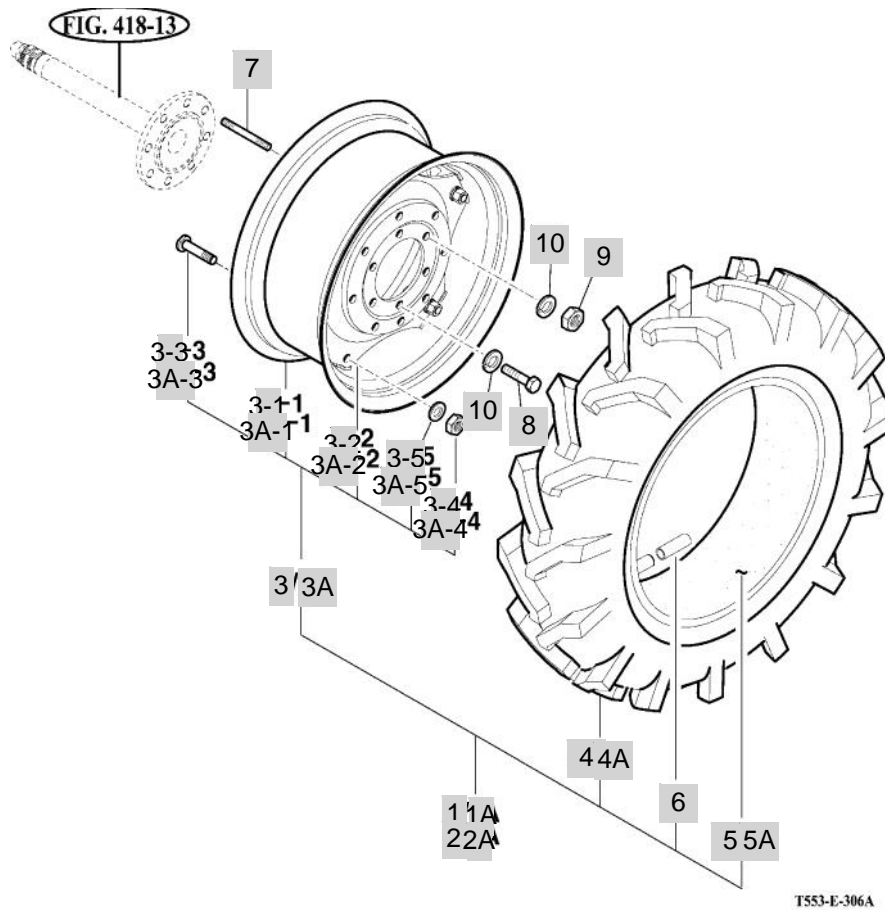
FIG 306A

REAR WHEEL

년/월
Year/Month

2020.07

T503NC



T553-E-306A

NOTE

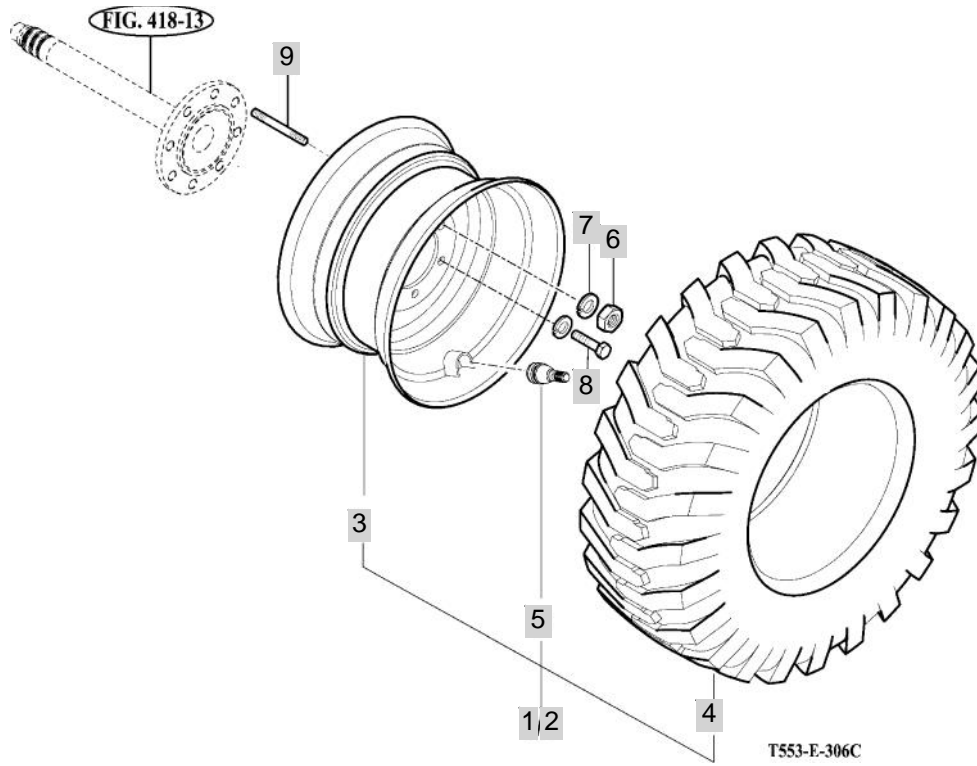
FIG 306C

T503NC

REAR WHEEL-R4(OPTION)

년/월
Year/Month

2020.07



NOTE

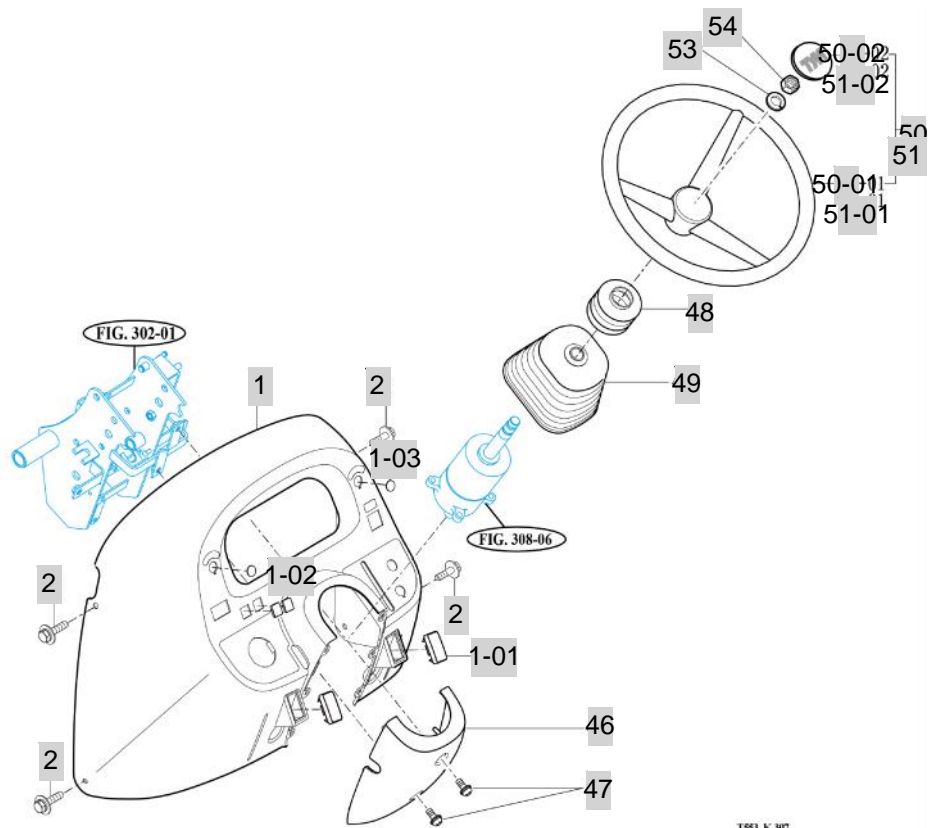
FIG 307

T503NC

POWER STEERING WHEEL

년/월
Year/Month

2020.07



T503-K-307

NOTE

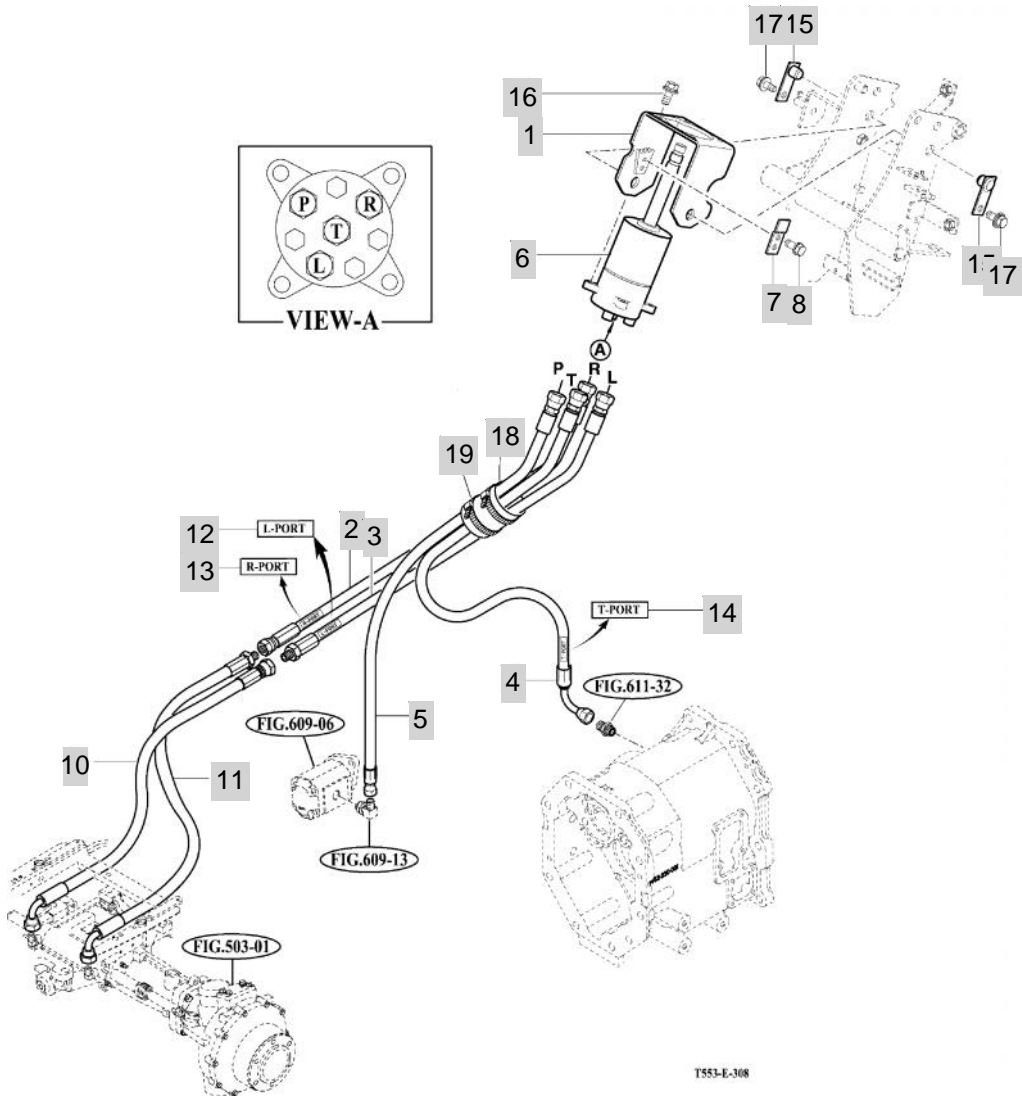
FIG 308

T503NC

POWER STEERING VALVE

년/월
Year/Month

2020.07



NOTE

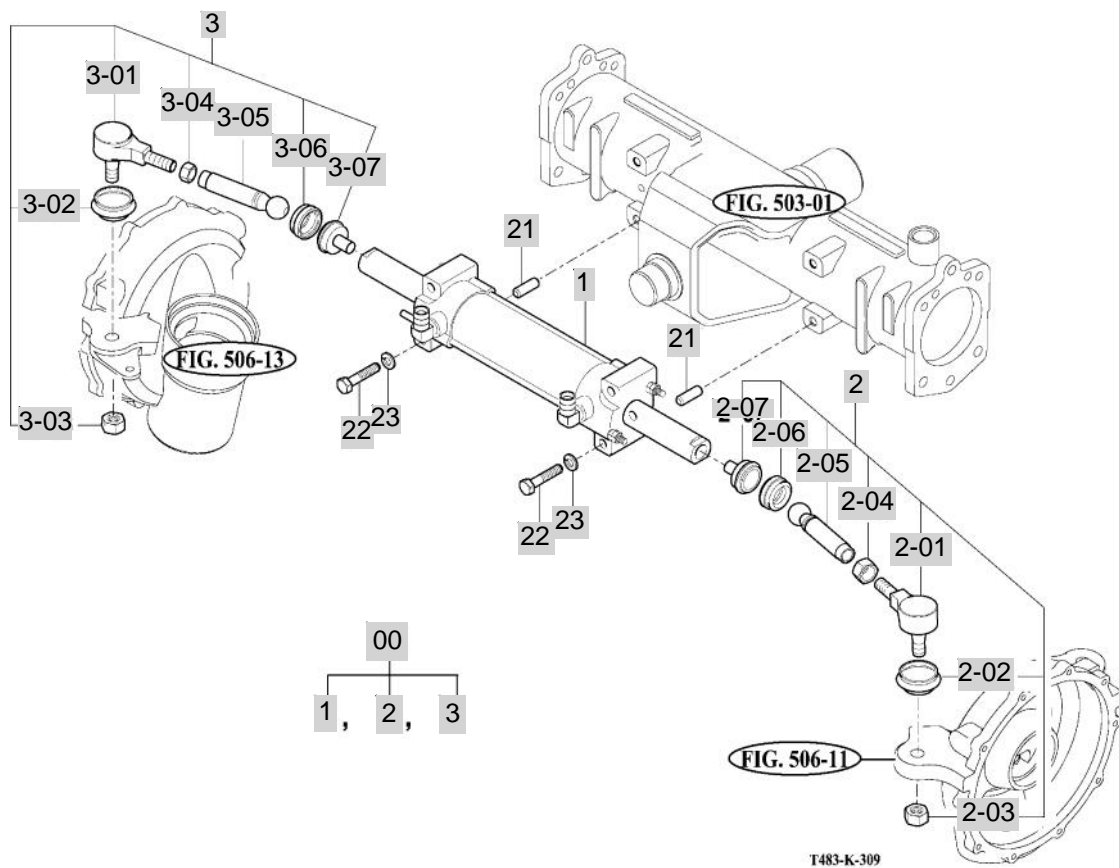
FIG 309

POWER STEERING CYLINDER

년/월
Year/Month

T503NC

2020.07



NOTE

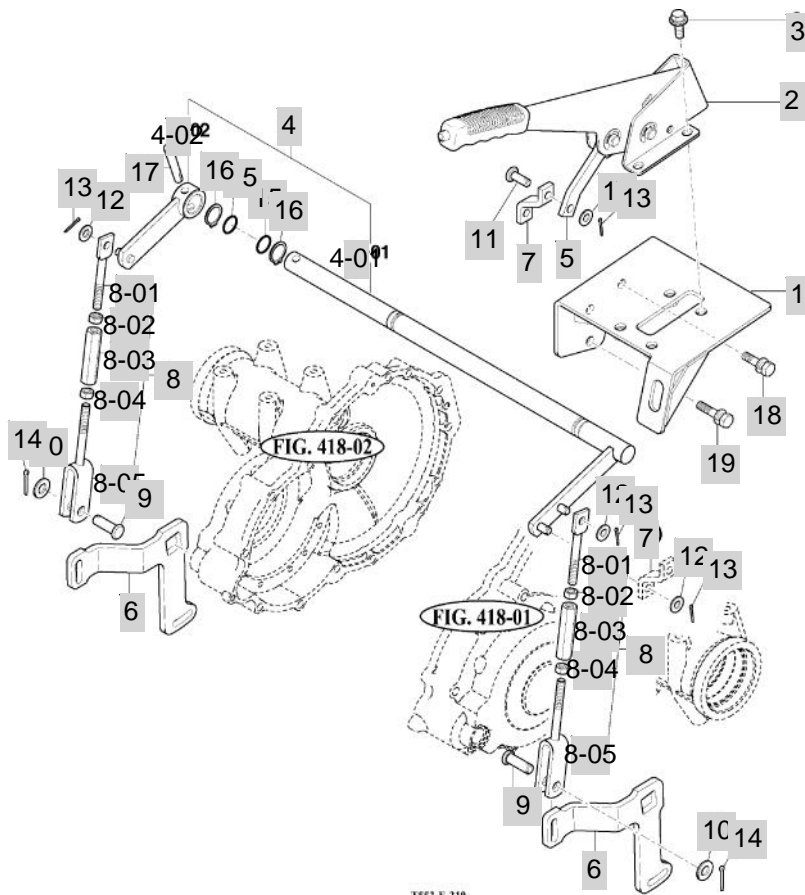
FIG 310

HAND BRAKE

년/월
Year/Month

T503NC

2020.07



NOTE

4. TRANSMISSION & REAR AXLE PART NO. 1503NC-E-C4

FIG 401 TRANSMISSION FRONT CASE	167
FIG 402 FORWARD & BACKWARD GEARS	169
FIG 403 IDLE & COUNTER GEARS	171
FIG 404 MAIN SHIFT GEARS	173
FIG 405 P.T.O DRIVE SHAFT	175
FIG 406 MAIN CHANGE LEVER	177
FIG 407 REVERSE CHANGE LEVER	179
FIG 408 TRANSMISSION MID CASE	181
FIG 409 TRANSMISSION REAR CASE	183
FIG 410 SUB CHANGE GEARS	185
FIG 411 SUB CHANGE SHIFTER	187
FIG 413 DRIVE GEARS	189
FIG 414 4WD CHANGE LEVER	191
FIG 415A P.T.O CHANGE GEARS	193
FIG 415B P.T.O CHANGE GEARS	195
FIG 416 P.T.O CHANGE SHIFTER	197
FIG 417 REAR DIFFERENTIAL GEARS	199
FIG 418 REAR AXLE & HOUSINGS	202

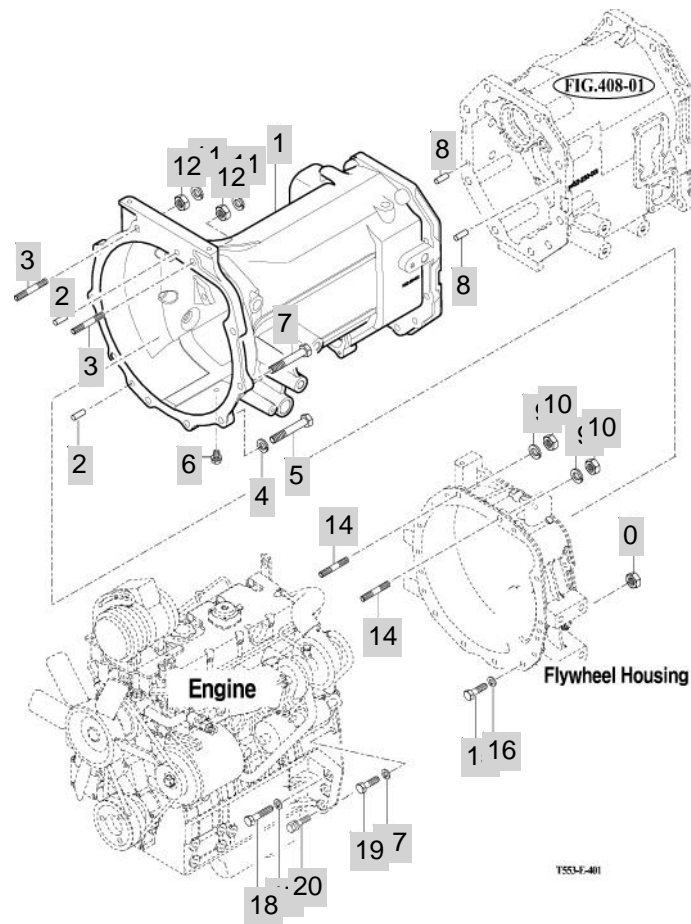
FIG 401

T503NC

TRANSMISSION FRONT CASE

년/월
Year/Month

2020.07



NOTE

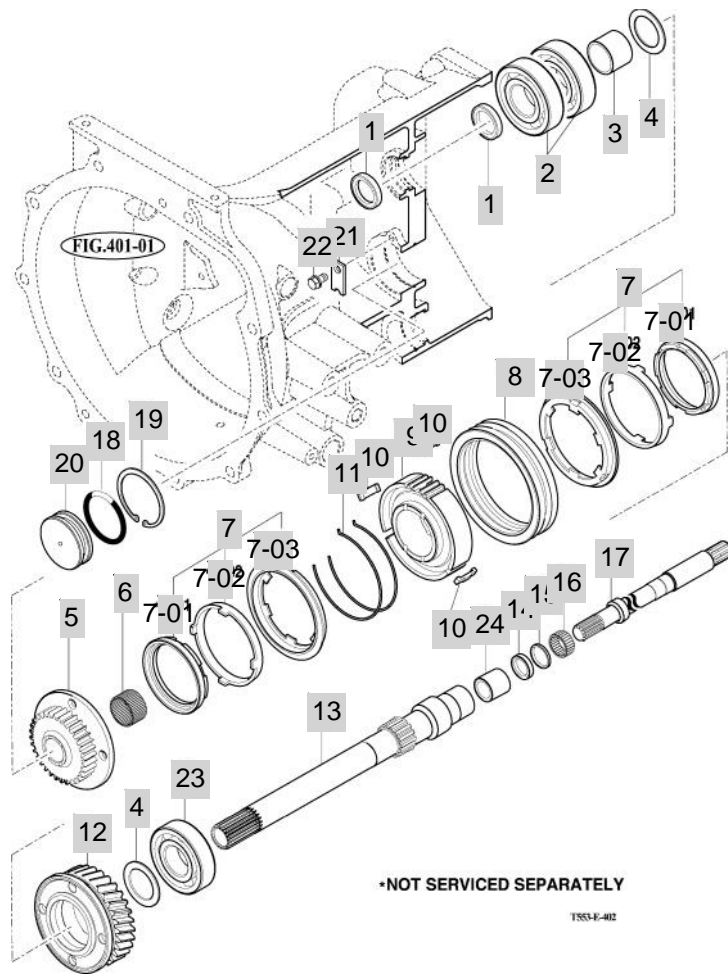
FIG 402

T503NC

FORWARD & BACKWARD GEARS

년/월
Year/Month

2020.07



NOTE

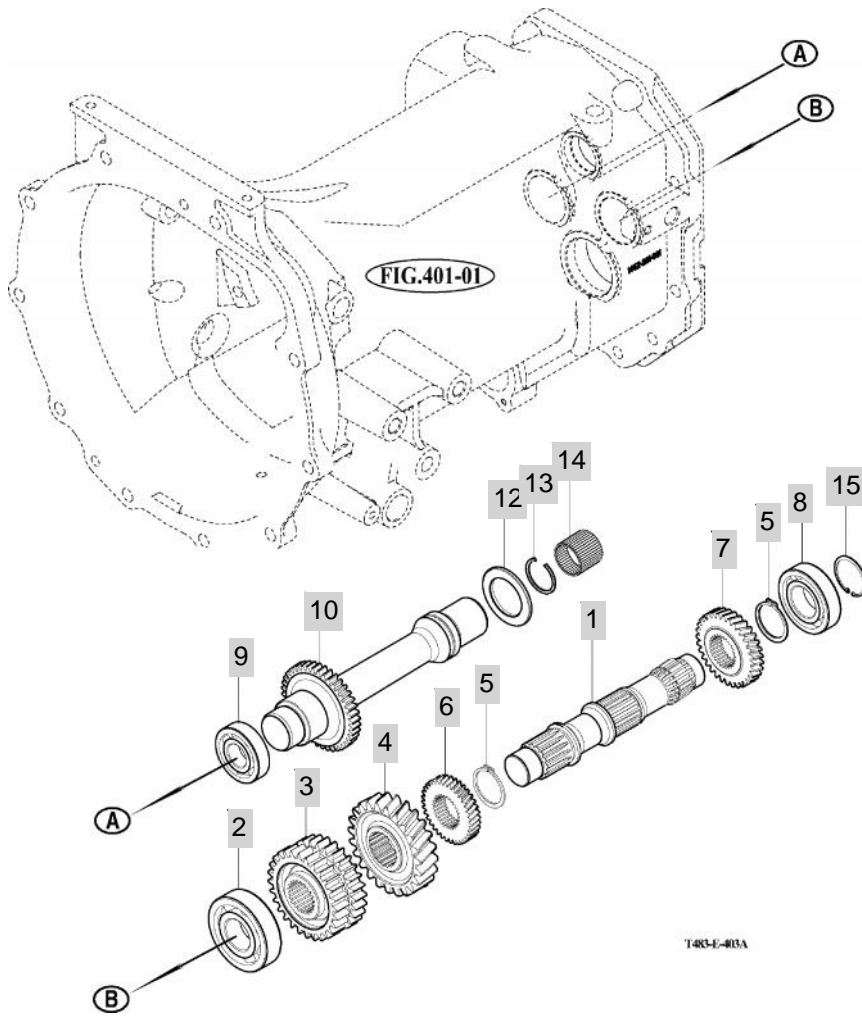
FIG 403

T503NC

IDLE & COUNTER GEARS

년/월
Year/Month

2020.07



NOTE

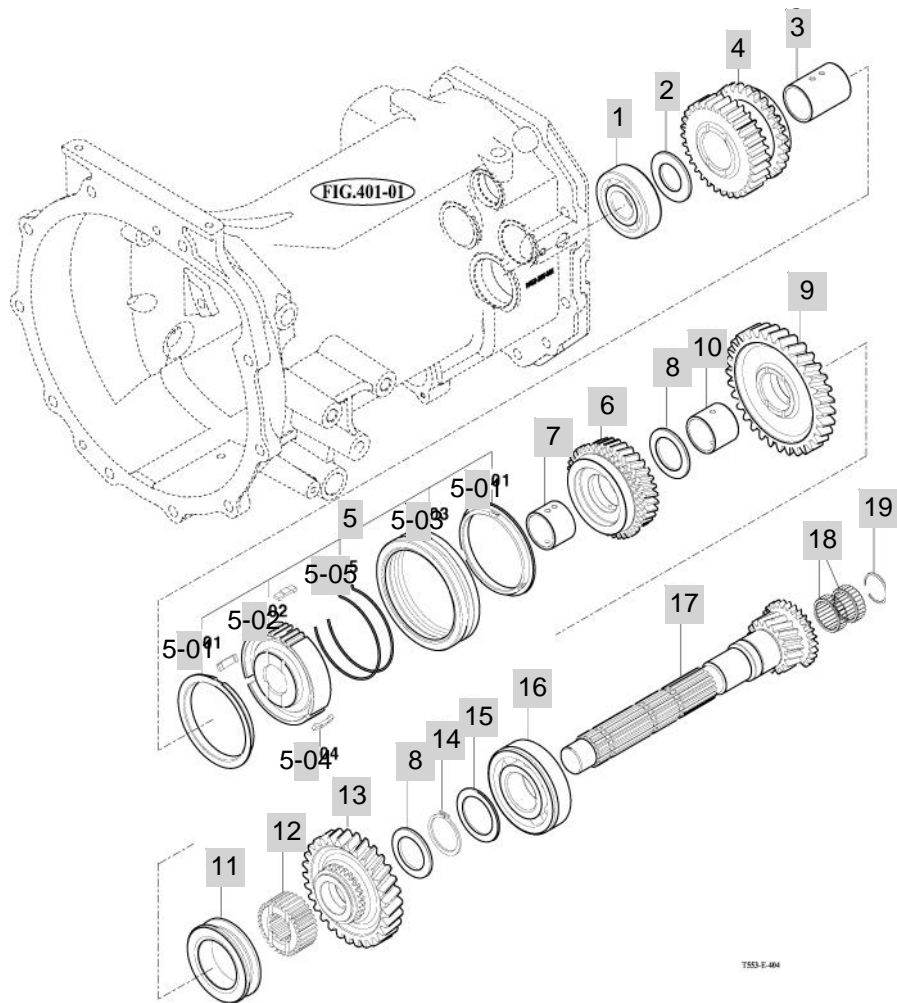
FIG 404

MAIN SHIFT GEARS

년/월
Year/Month

2020.07

T503NC



NOTE

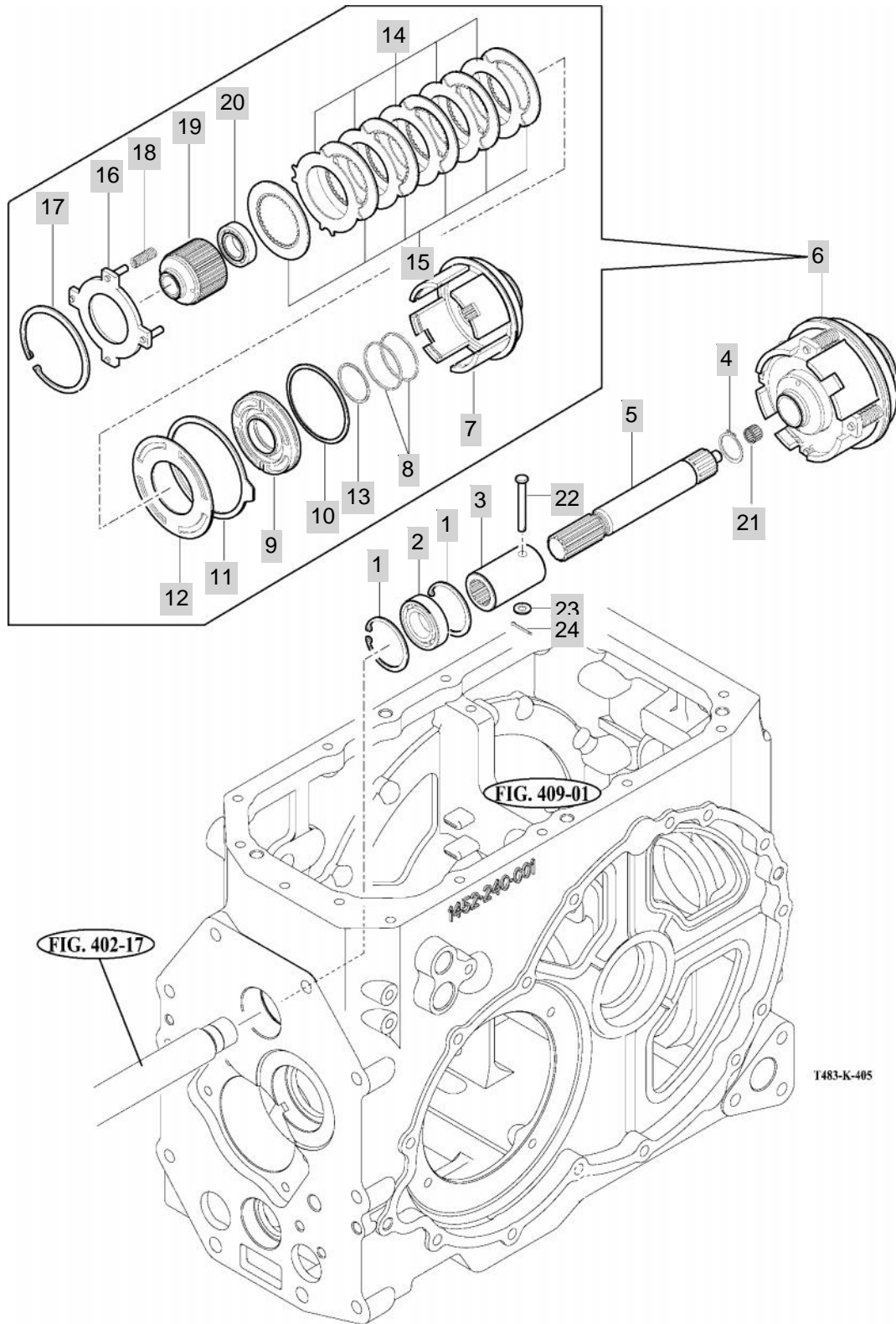
FIG 405

T503NC

P.T.O DRIVE SHAFT

년/월
Year/Month

2020.07



NOTE

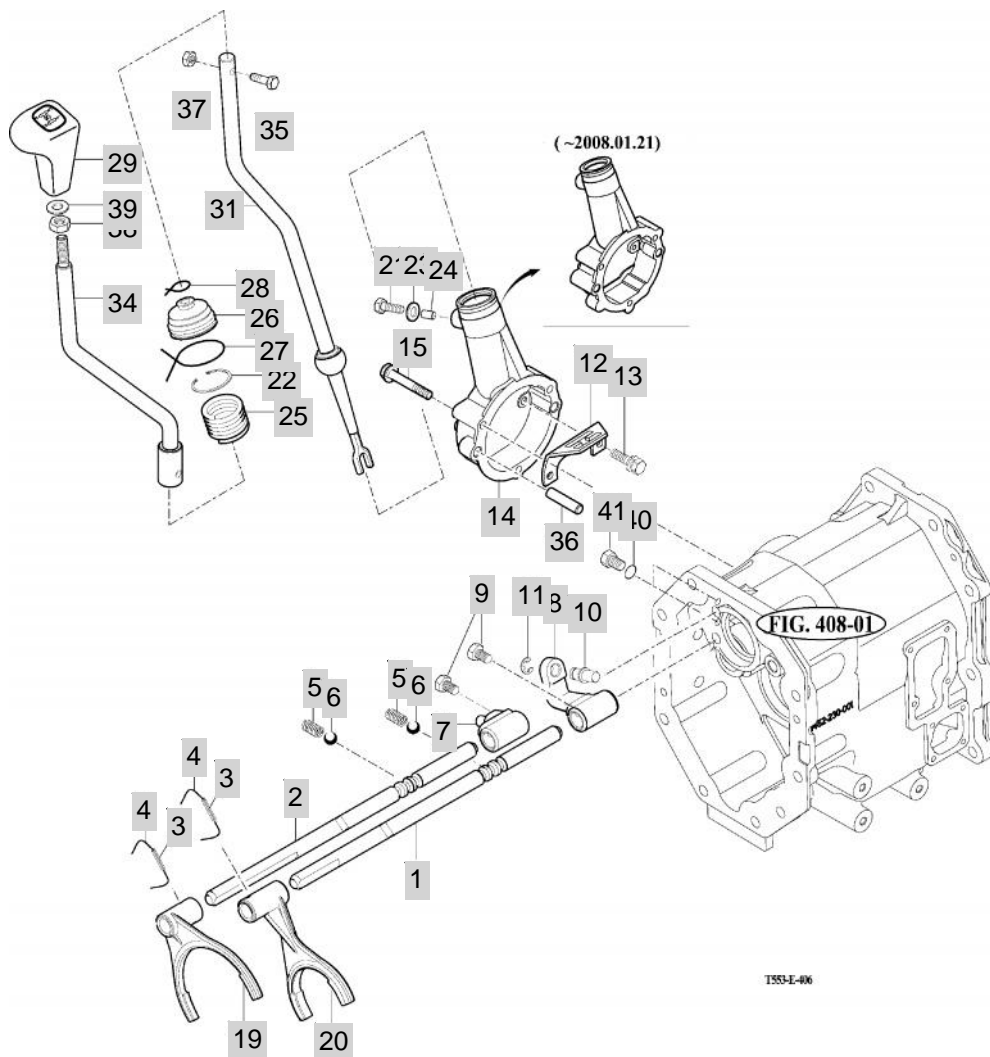
FIG 406

MAIN CHANGE LEVER

년/월
Year/Month

2020.07

T503NC



NOTE

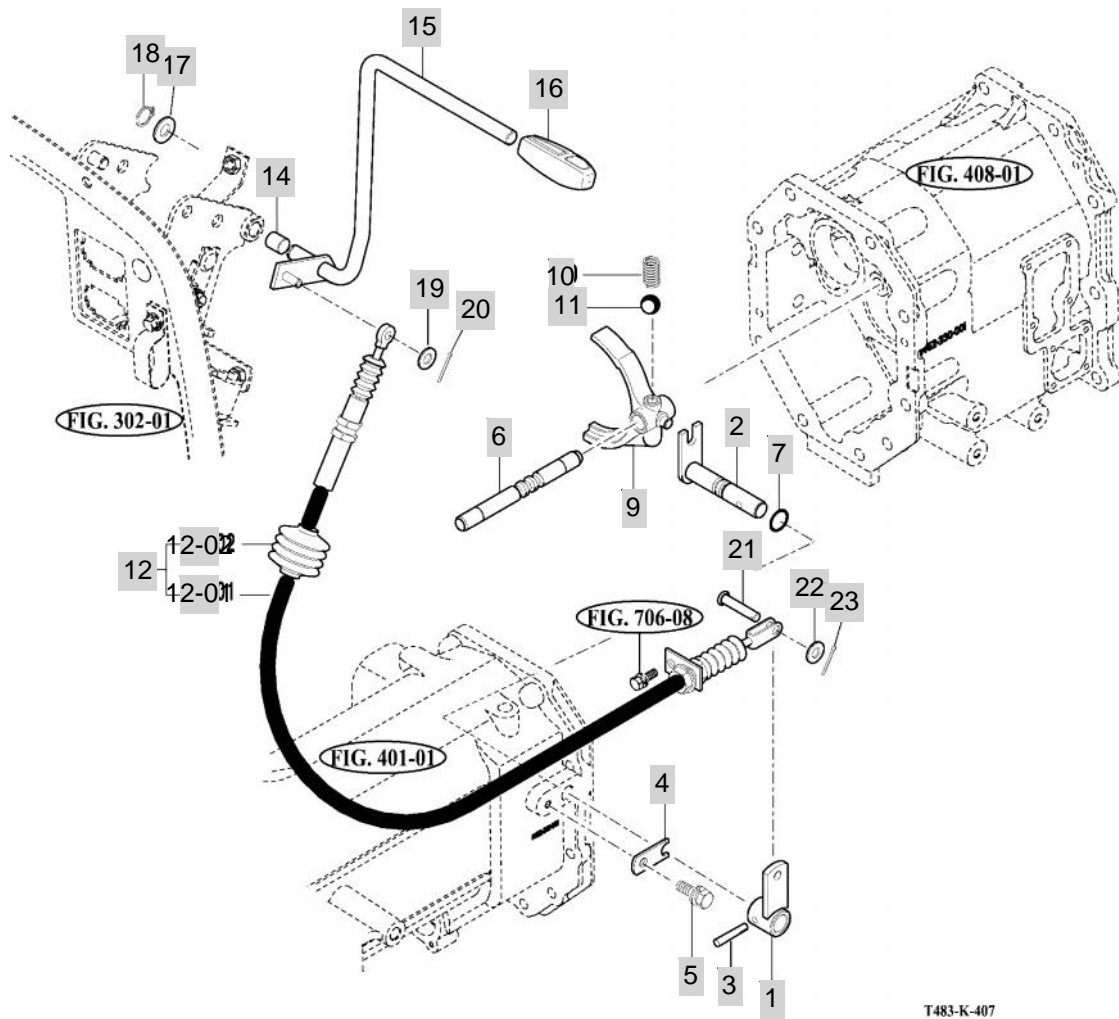
FIG 407

REVERSE CHANGE LEVER

년/월
Year/Month

T503NC

2020.07



T483-K-407

NOTE

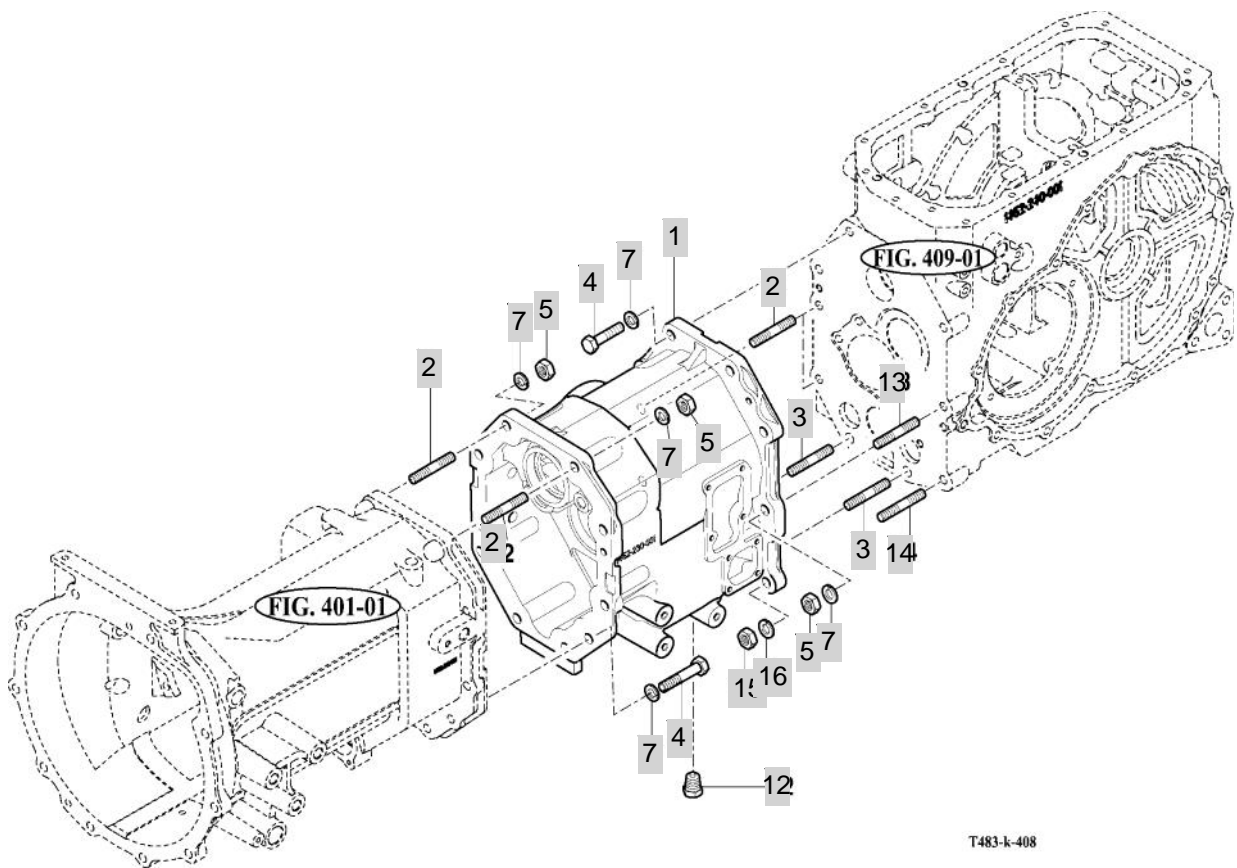
FIG 408

T503NC

TRANSMISSION MID CASE

년/월
Year/Month

2020.07



T483-k-408

NOTE

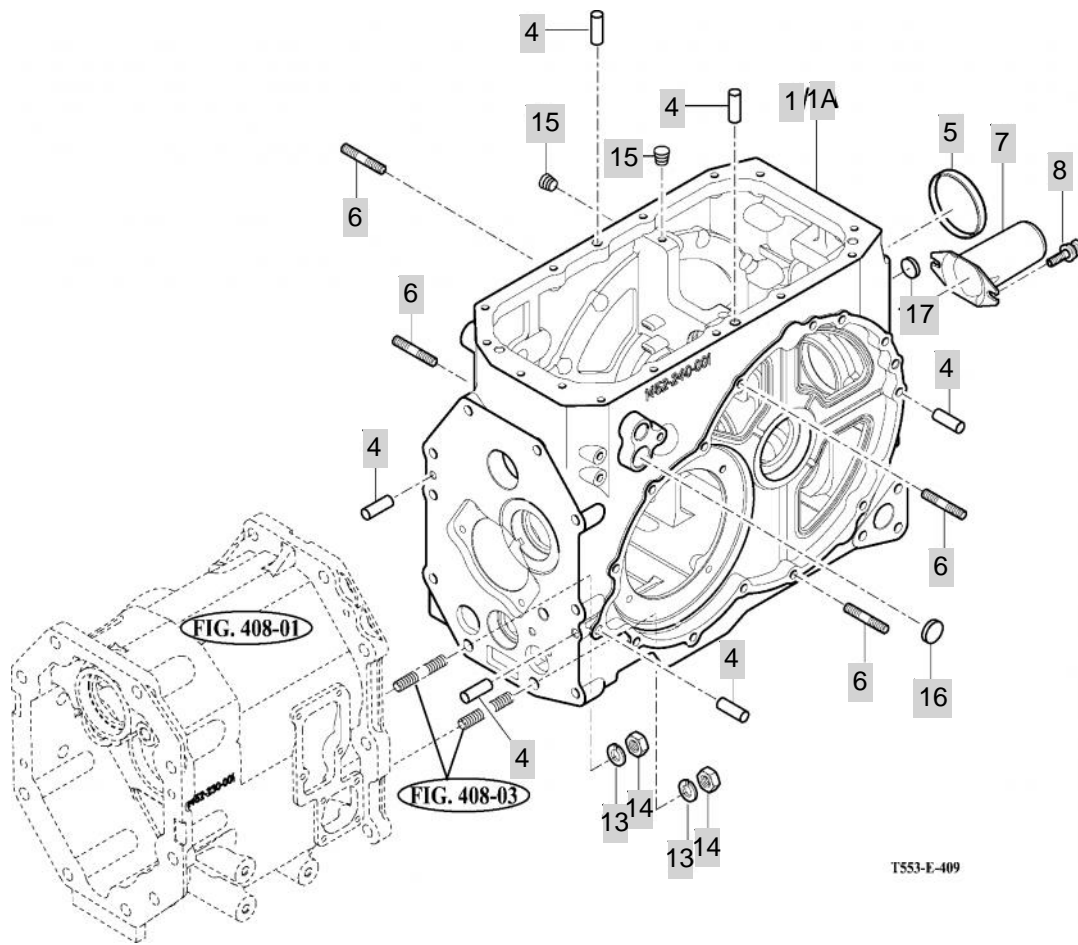
FIG 409

T503NC

TRANSMISSION REAR CASE

년/월
Year/Month

2020.07



T553-E-409

NOTE

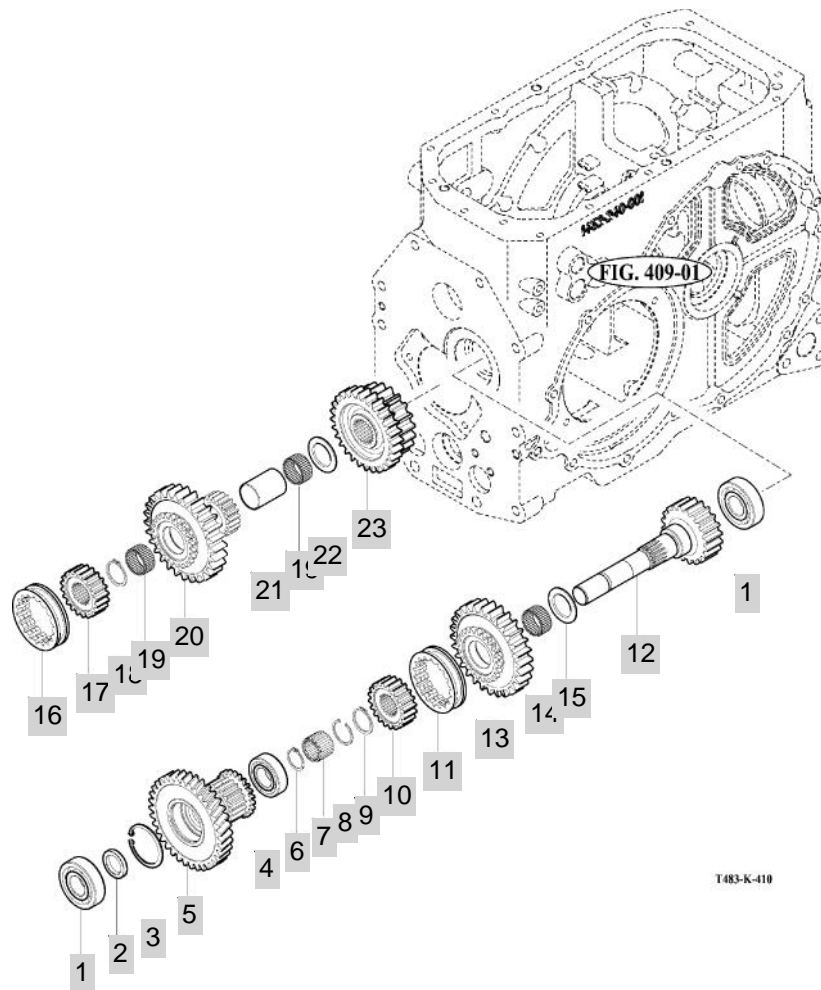
FIG 410

T503NC

SUB CHANGE GEARS

년/월
Year/Month

2020.07



NOTE

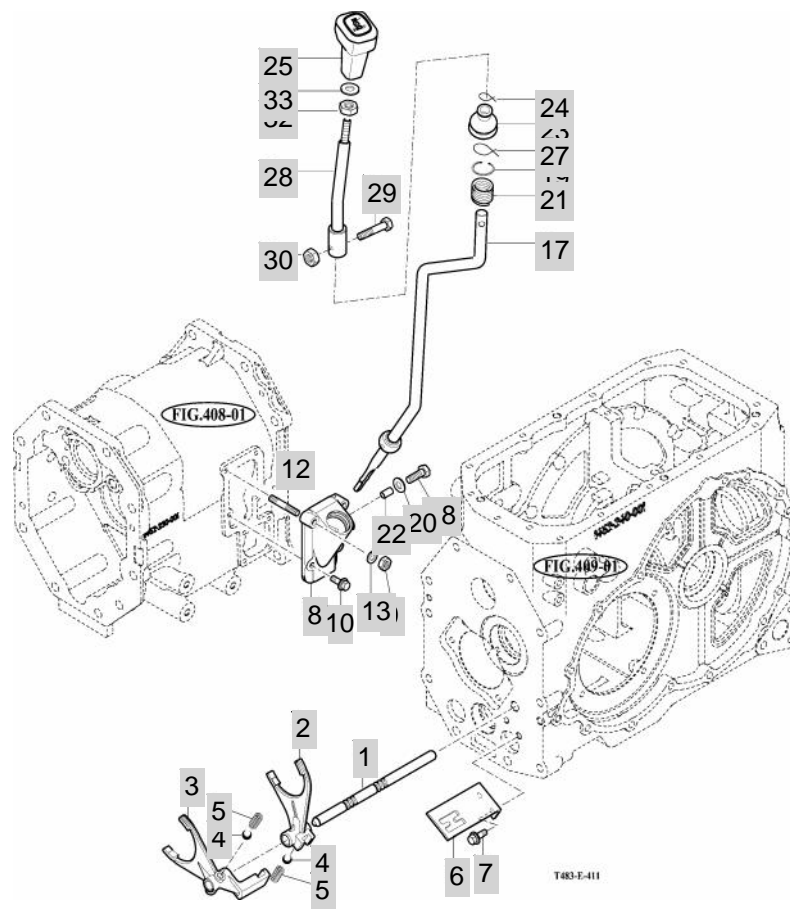
FIG 411

T503NC

SUB CHANGE SHIFTER

년/월
Year/Month

2020.07



NOTE

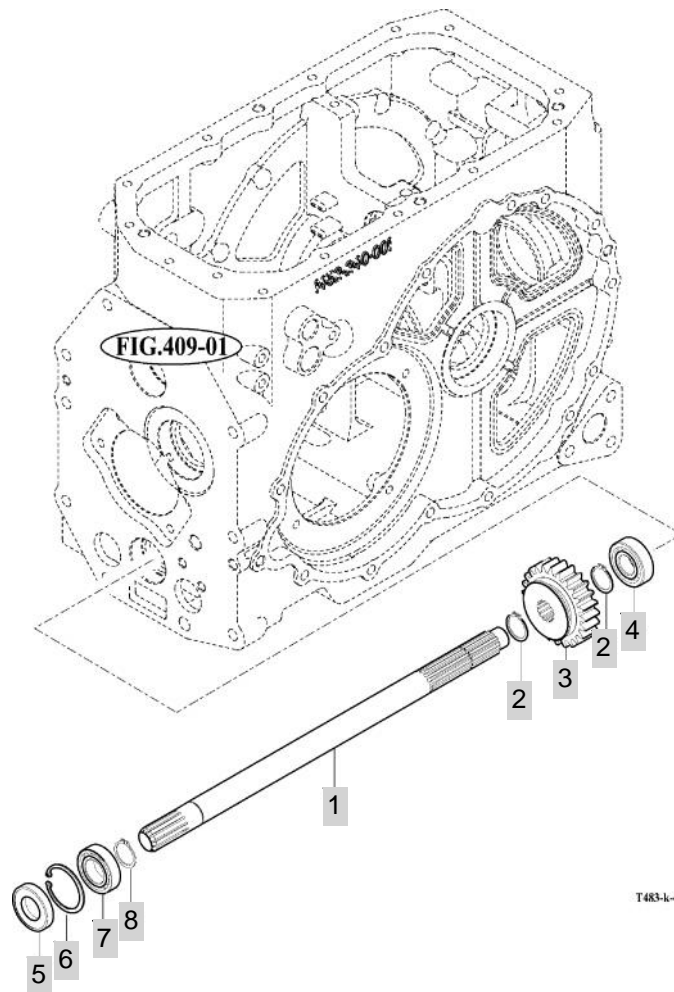
FIG 413

DRIVE GEARS

년/월
Year/Month

2020.07

T503NC



NOTE

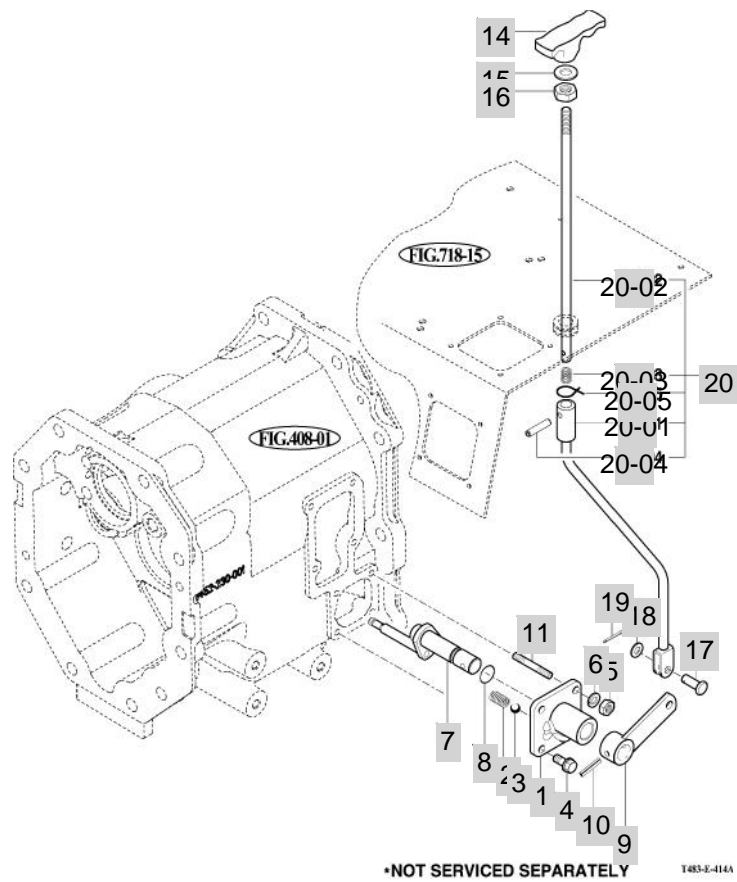
FIG 414

T503NC

4WD CHANGE LEVER

년/월
Year/Month

2020.07



NOTE

FIG 414		4WD CHANGE LEVER						년/월 Year/Month	
								2020.07	
T503NC									
KEY NO	PART NO	DESCRIPTION	SPEC	QTY	REPAIR	EFFECTIVE DATE	REMARKS		
414	1	15602650021M	METAL , SHIFTER	1X1X1					
414	2	13022250030	SPRING , SHIFTER	D=1.4			20071024		
414	3	V6802000010	BALL , STEEL	5/16			20071024		
414	4	V2173608020	BOLT , HEX/S	M8X20			20120501		
414	5	V2183608020	BOLT , HEX/SP	M8X20			20081201		
414	6	V4011600080	WASHER , SPRING	M8			20081201		
414	7	14522652200	ARM COMP , 4WD	1X1X1					
414	8	V7201024014	O-RING , P	P14					
414	9	14522652000	ARM COMP						
414	10	V5801406025	PIN , SPRING	6X25					
414	11	V2513408020	BOLT , STUD/2	M8X20			20080417		
414	14	16702190060	GRIP , 4WD	M10					
414	15	V4111600100	WASHER , PLAIN	M10			20081201		
414	16	V3342600100	NUT , HEX FINE/2	M10			20081201		
414	17	14322420010	PIN	D=8			20110321		
414	18	V4111600080	WASHER , PLAIN	M8			20081201		
414	19	V5001925020	PIN D2.5x20	2.5X20			20081201		
414	20	14522882102GB	ROD ASSY , 4WD	1X1X1					
414	20-01	14522882300	ROD LOWER COMP	1X1X1					
414	20-02	14522882140	ROD , UPPER	1X1X1					
414	20-03	14522882200	SPRING	1X1X1					
414	20-04	V5801405020	PIN .SPRING	5X20					
414	20-05	V5901010070	WIRE , STEEL	1.0X70					
NOTE									

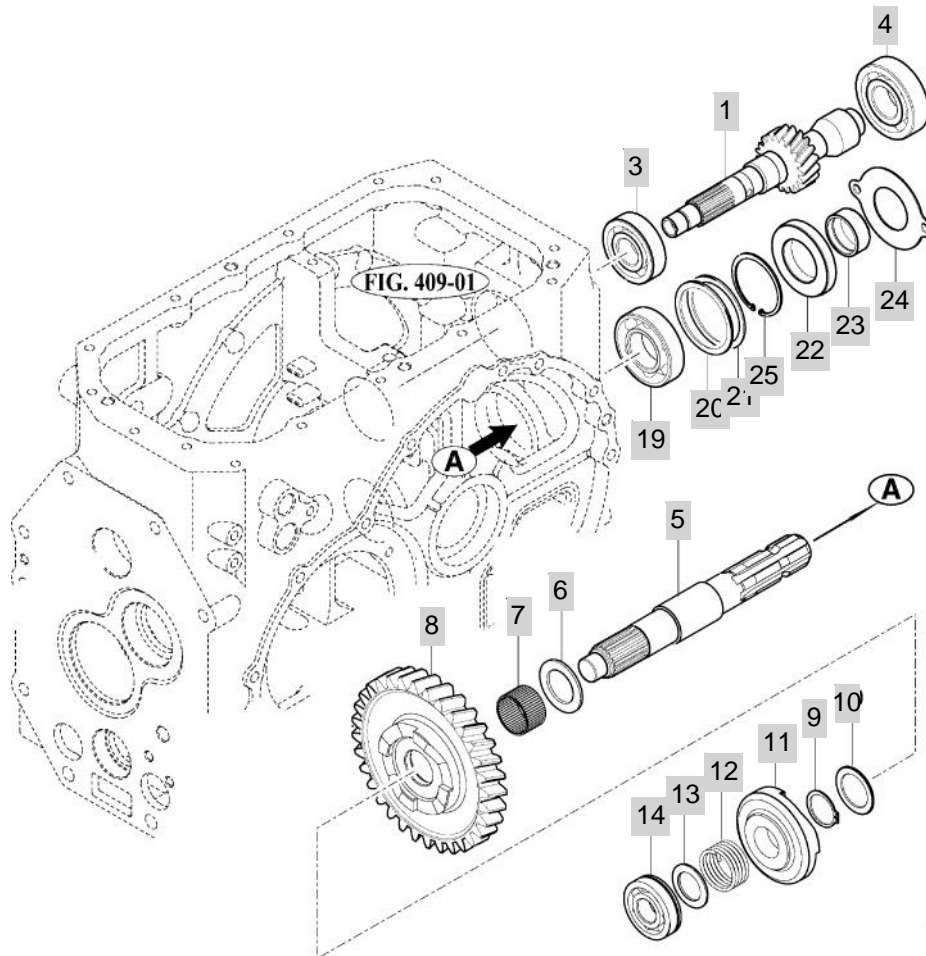
FIG 415A

T503NC

P.T.O CHANGE GEARS

년/월
Year/Month

2020.07



NOTE

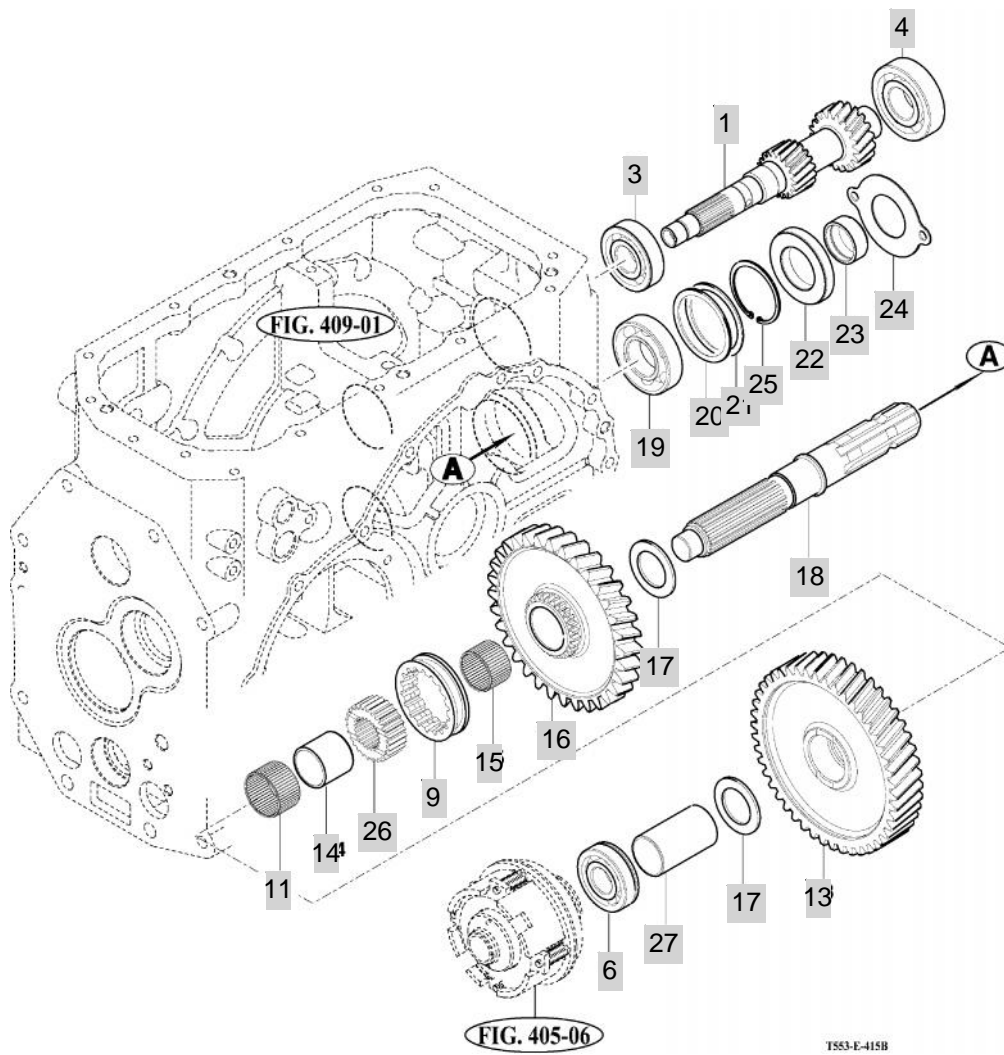
FIG 415B

P.T.O CHANGE GEARS

년/월
Year/Month

2020.07

T503NC



NOTE

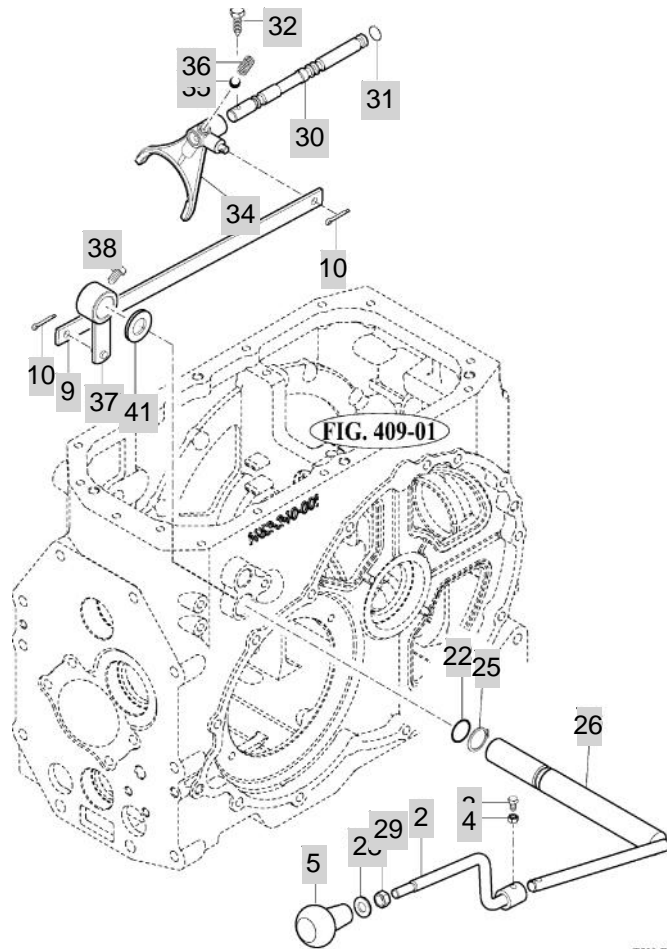
FIG 416

T503NC

P.T.O CHANGE SHIFTER

년/월
Year/Month

2020.07



NOTE

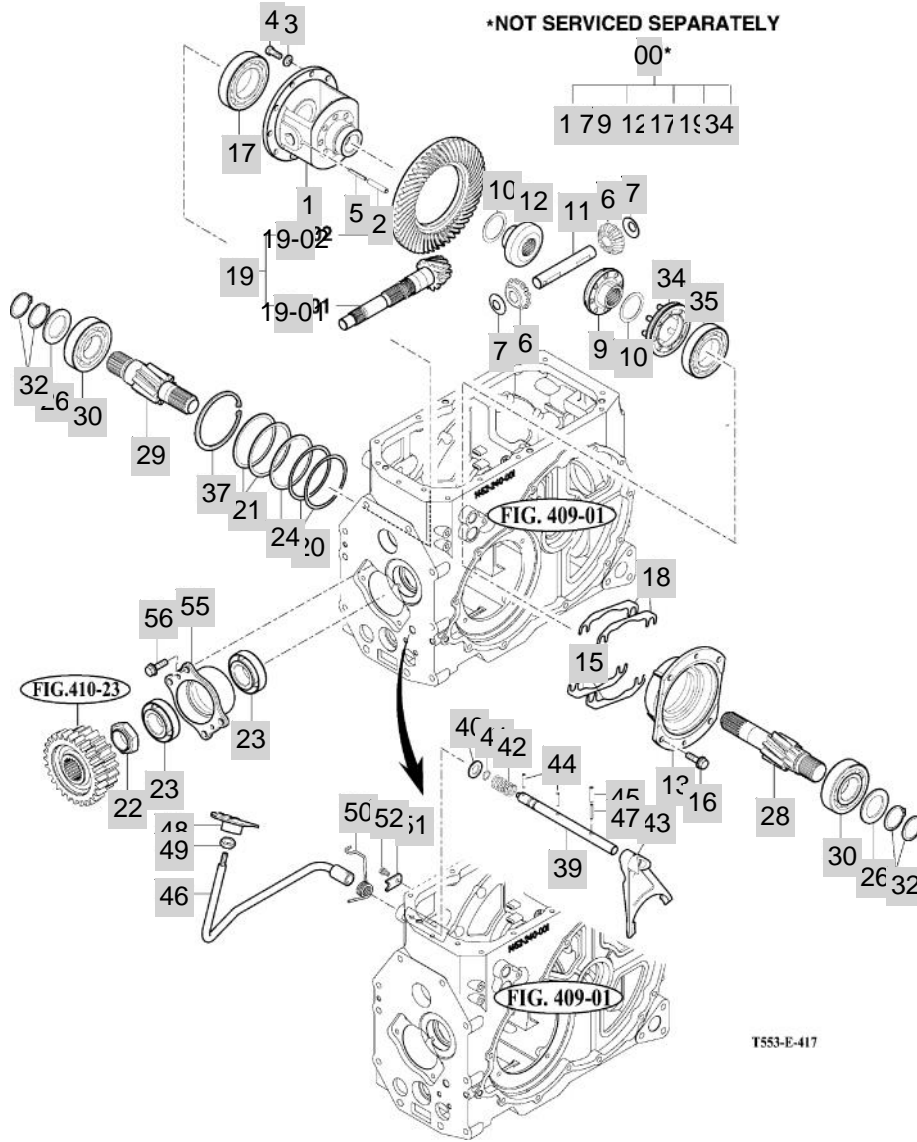
FIG 417

REAR DIFFERENTIAL GEARS

년/월
Year/Month

2020.07

T503NC



NOTE

FIG 417		REAR DIFFERENTIAL GEARS					년/월 Year/Month		
							2020.07		
T503NC		KEY NO	PART NO	DESCRIPTION	SPEC	QTY	REPAIR	EFFECTIVE DATE	REMARKS
417	00	14523031001	DIFF ASSY, RR 47PS			1			
417	1	14523030010M	CASE , DIFF			1			
417	2	V5801408040	PIN , SPRING	8X50		1			
417	3	V4011600100	WASHER , SPRING	M10		1		20081001	
417	4	V2024610025	BOLT , HEX FINE	M10X25		10			
417	5	V5801405036	PIN , SPRING	5X36		1			
417	6	14523180041	PINION , DIFF	1X1X1		2			
417	7	14523030080	COLLAR , PINION	T=1.0		2			
417	9	14523180061	PINION , BEVEL 16T LH	1X1X1		1			
417	10	14523030100	WASHER , THRUST	D=52.5		2			
417	11	14523030110	SHAFT , DIFF PINION	D=23		1			
417	12	14523180031	PINION , BEVEL 16T RH	1X1X1		1			
417	13	14523030131M	METAL , DIFF CASE LH			1			
417	15	14523010090	SHIM , B	T=0.2		4		20070920	
417	16	V2173610025	BOLT , HEX/S	M10X25		4		20120315	
417	17	V6001106212	BEARING , BALL	6212		1			
417	18	14523010080	SHIM , A	T=0.1		2			
417	19	14523022100	GEAR SET , 10-41T			1			
417	19-01	14523022111	PINION , BEVEL			1			
417	19-02	14523022120	GEAR , SPIRAL BEVEL			1			
417	20	14523010050	SHIM , 0.1	T=0.1		1		20080822	
417	21	14523010060	SHIM , 1.0	T=1.0		0		20080822	
417	22	15533030020	NUT , M40 P1,5	육각B=55		1		20120118	
417	23	V6321132208	BEARING, TAPER ROLLER	32208CR		2		20120622	
417	24	14523010100	SHIM , 0.2	T=0.2		2		20080822	
417	26	15133060030	COLLAR , THRUST 45X68X4			2			
417	28	14523060010	PINION , LH HERICAL11T			1			
417	29	14523060020	PINION , RH HERICAL11T			1			
417	30	V6001106309	BEARING , BALL	6309		2			
417	32	V7041400450	C-RING , SHAFT	45		4			
417	34	14523033400	SLEEVE COMP			1			
417	35	V6001106211	BEARING , BALL	6211		1			
417	37	V7051401100	C-RING , HOLE	110		1			
417	39	15533193010	SHAFT , DIFF LOCK	D=20		1		20111222	
417	40	V4111600200	WASHER , PLAIN	M20		1			
417	41	V7201024016	O-RING , P	P16		1			
417	42	17973030420	SPRING	(D=3.6) X22.5X74.5		1			
417	43	14523190011M	FORK , DIFF LOCK			1			
417	44	V5801406032	PIN , SPRING	6X32		0		20081107	
417	45	V5801408036	PIN , SPRING	8X36		1			
417	46	14543162100	PEDAL COMP , DIFF LOCK			1			
417	47	V5801405036	PIN , SPRING	5X36		1			
417	48	14521220120	PEDAL COMP,ACCEL	1X1X1		1			
417	49	V3342600100	NUT , HEX FINE/2	M10		0		20081201	
417	50	15533190020	SPRING , DIFF PEDAL	D=5.5		1		20111222	
NOTE									

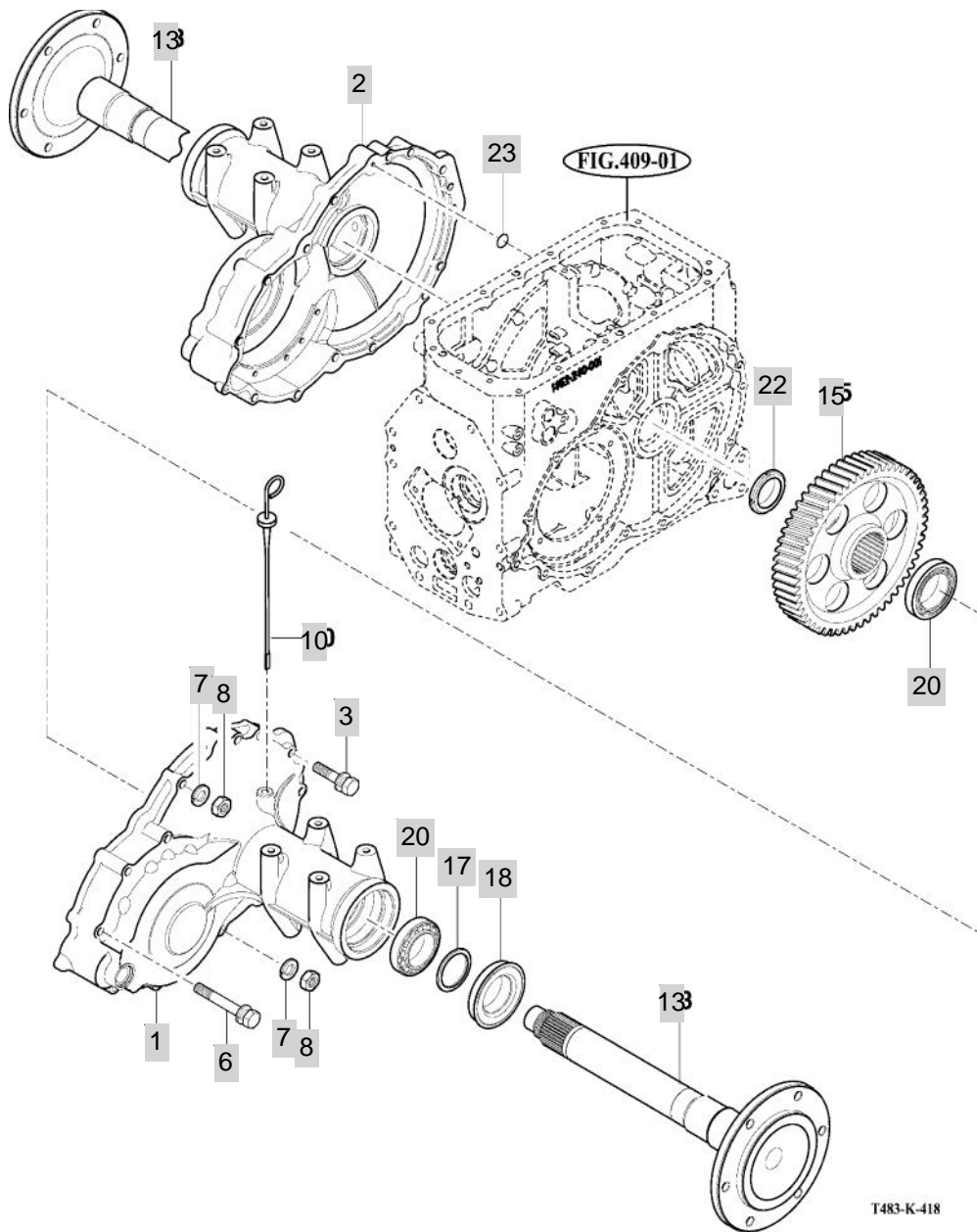
FIG 418

REAR AXLE & HOUSINGS

년/월
Year/Month

2020.07

T503NC



T483-K-418

NOTE

5. FRONT AXLE, SUPPORTER & DRIVE SHAFT PART NO.

T503NC-E-C5

FIG 501 FRONT AXLE SUPPORT	205
FIG 502 FRONT DRIVE SHAFT	207
FIG 503 FRONT AXLE HOUSING	209
FIG 504 FRONT DIFFERENTIAL GEARS	211
FIG 505 FRONT GEAR CASE(1)	213
FIG 506 FRONT GEAR CASE(2)	215
FIG 507 FRONT GEAR CASE(3)	217

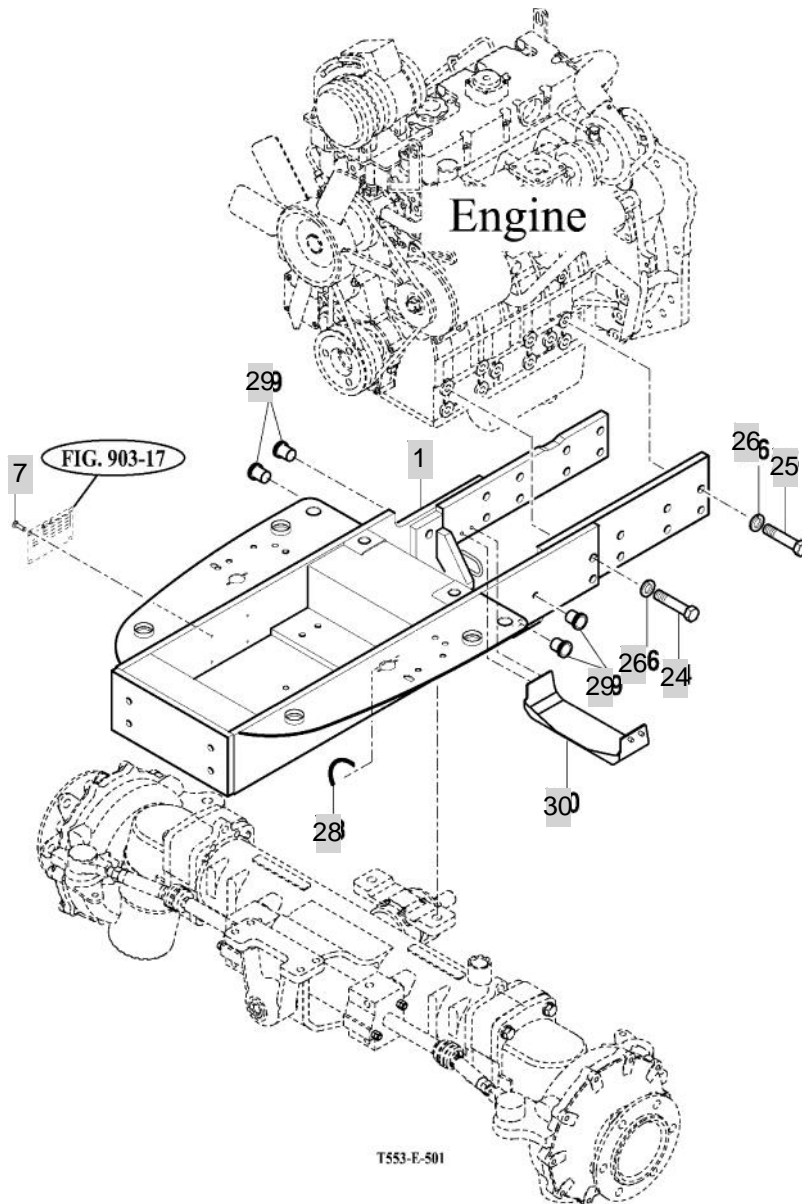
FIG 501

FRONT AXLE SUPPORT

년/월
Year/Month

2020.07

T503NC



NOTE

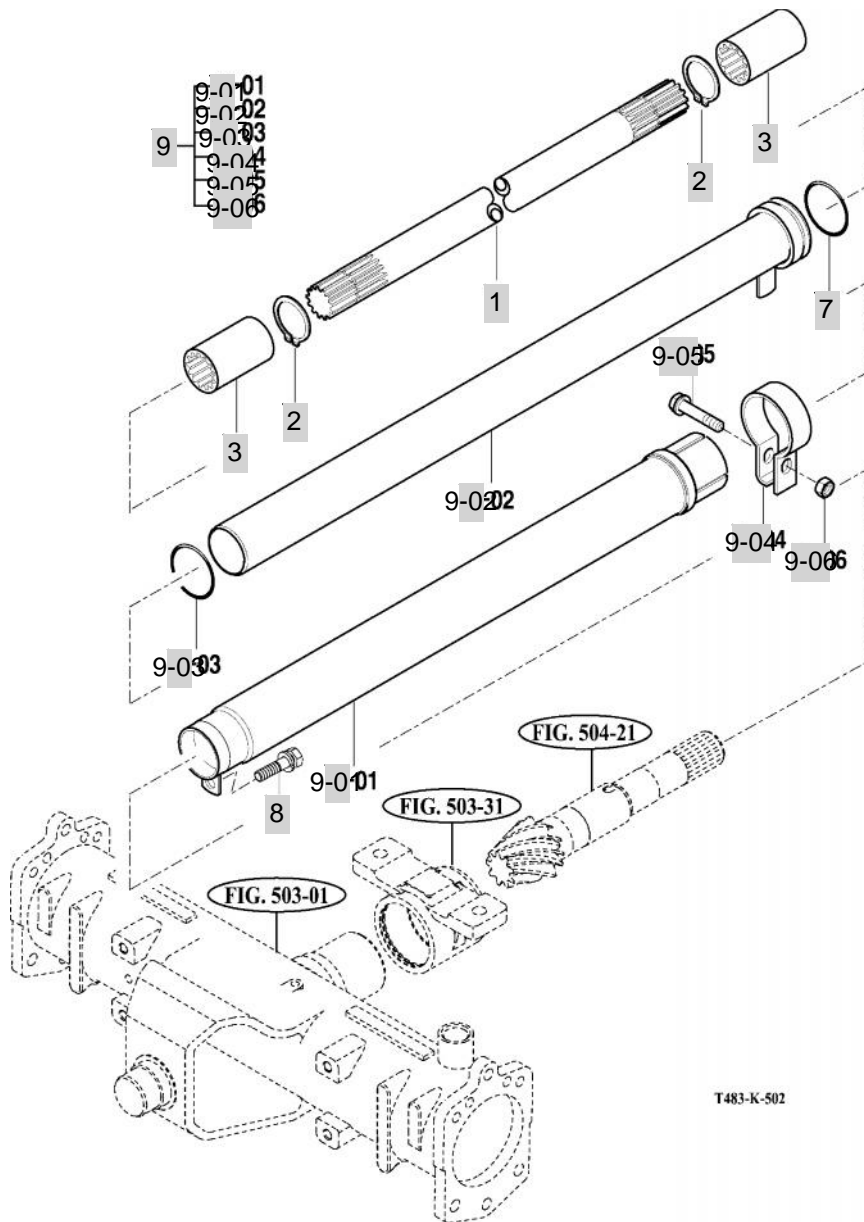
FIG 502

FRONT DRIVE SHAFT

년/월
Year/Month

2020.07

T503NC



NOTE

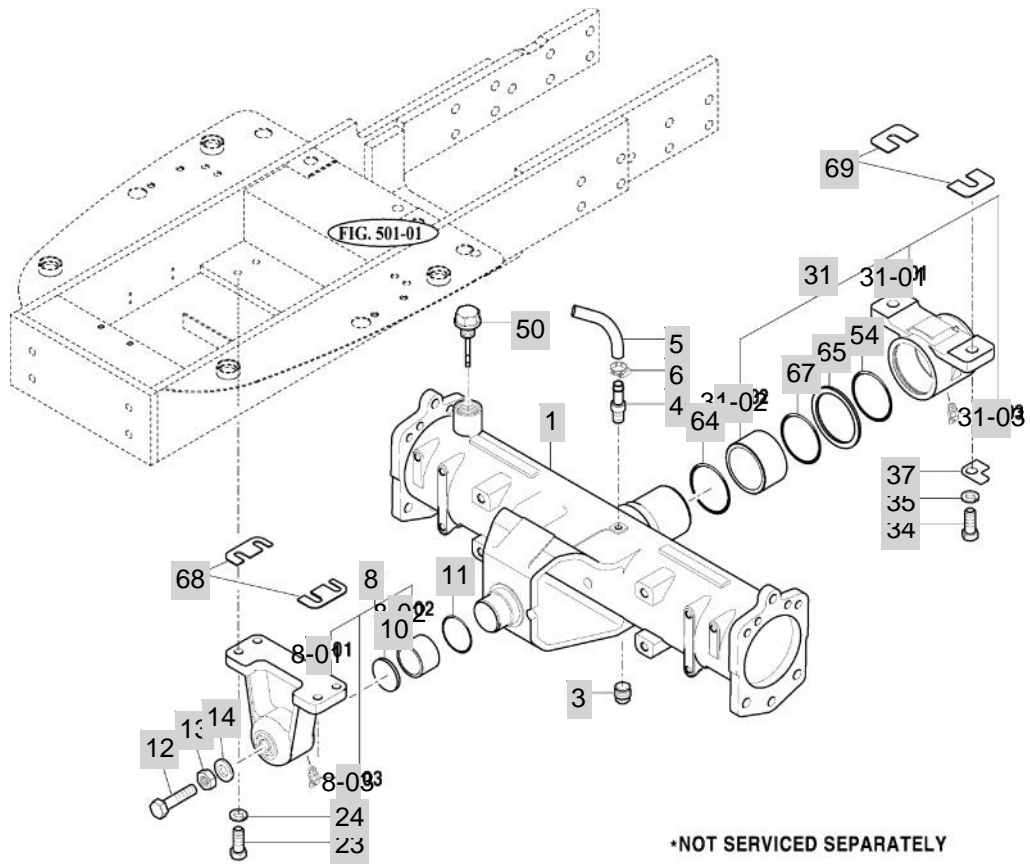
FIG 503

T503NC

FRONT AXLE HOUSING

년/월
Year/Month

2020.07



T483-E-503A

NOTE

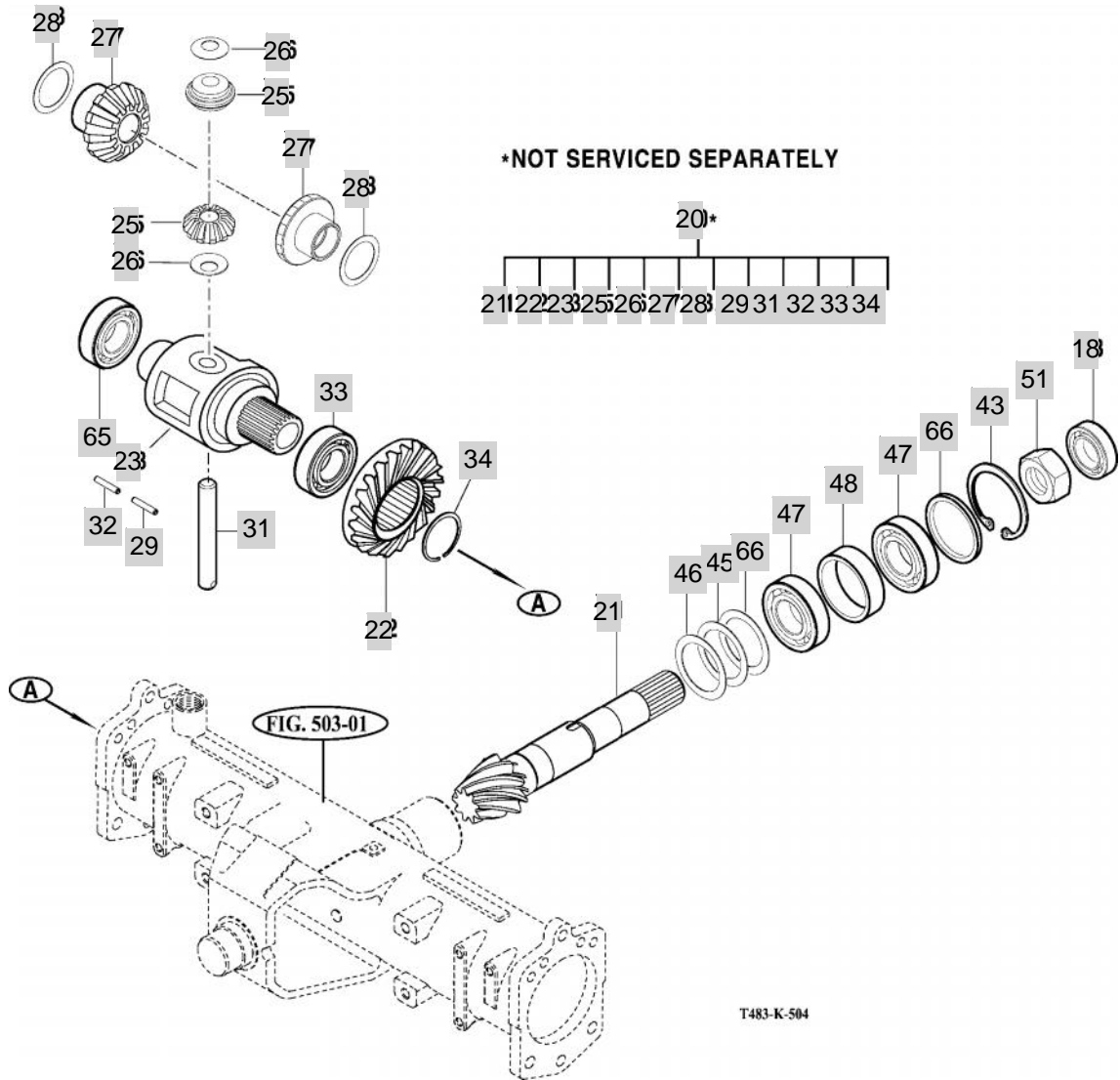
FIG 504

FRONT DIFFERENTIAL GEARS

년/월
Year/Month

T503NC

2020.07



NOTE

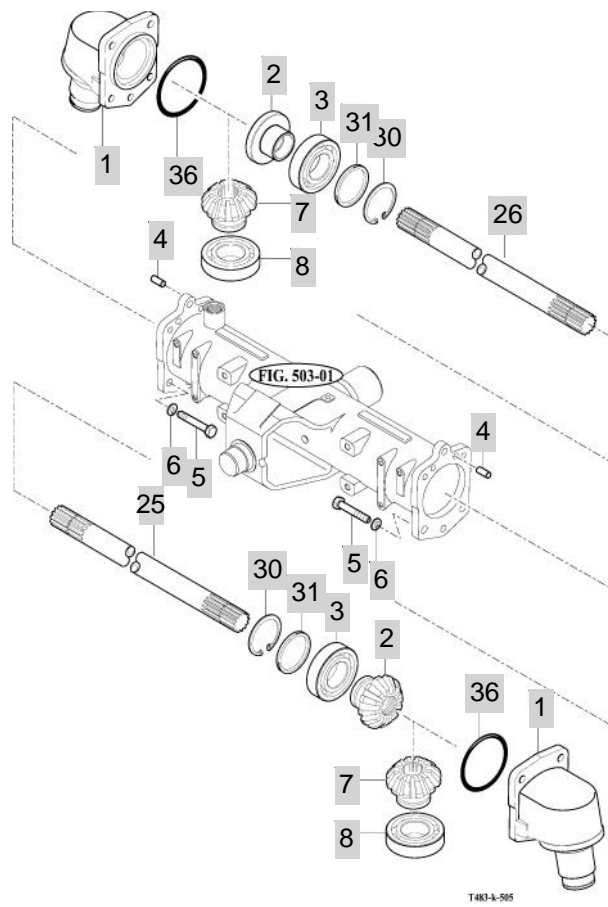
FIG 505

T503NC

FRONT GEAR CASE(1)

년/월
Year/Month

2020.07



NOTE

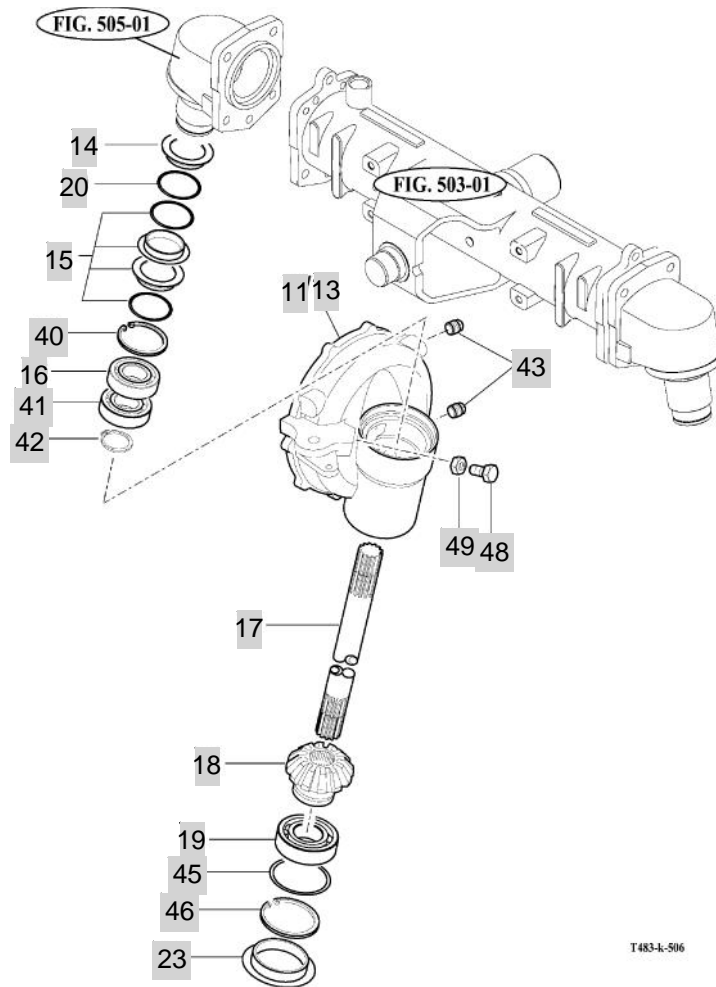
FIG 506

T503NC

FRONT GEAR CASE(2)

년/월
Year/Month

2020.07



NOTE

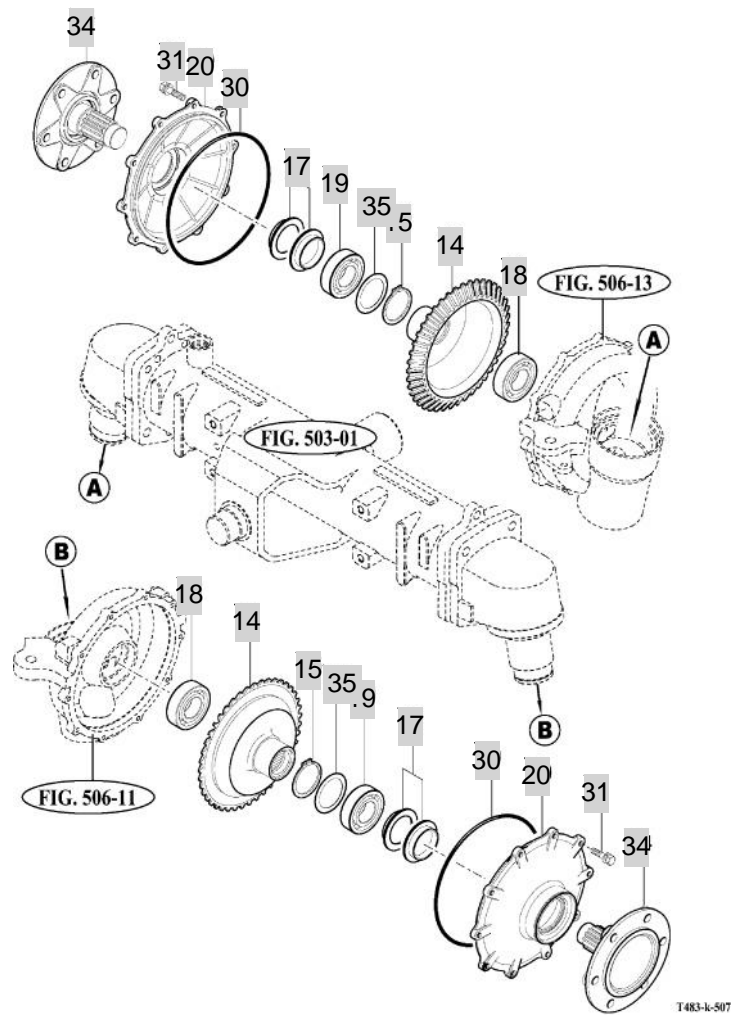
FIG 507

T503NC

FRONT GEAR CASE(3)

년/월
Year/Month

2020.07



NOTE

6. HYDRAULICS & 3P-LINK PART NO. T503NC-E-C6

FIG 601 CYLINDER CASE	220
FIG 602 LIFT ARM	222
FIG 603 CYLINDER	224
FIG 604 POSITION LINK	226
FIG 605 CONTROL VALVE	228
FIG 606 DRAFT LINK	230
FIG 607 POSITION & DRAFT LEVER	232
FIG 608 EXTERIOR HYD. VALVE	234
FIG 609 HYDRAULIC PIPE	236
FIG 610 JOYSTICK	238
FIG 611 HYDRAULIC HOSE	240
FIG 612 HITCH & 3-POINT LINK	242
FIG 613 LOWER LINK & LIFT ROD	245

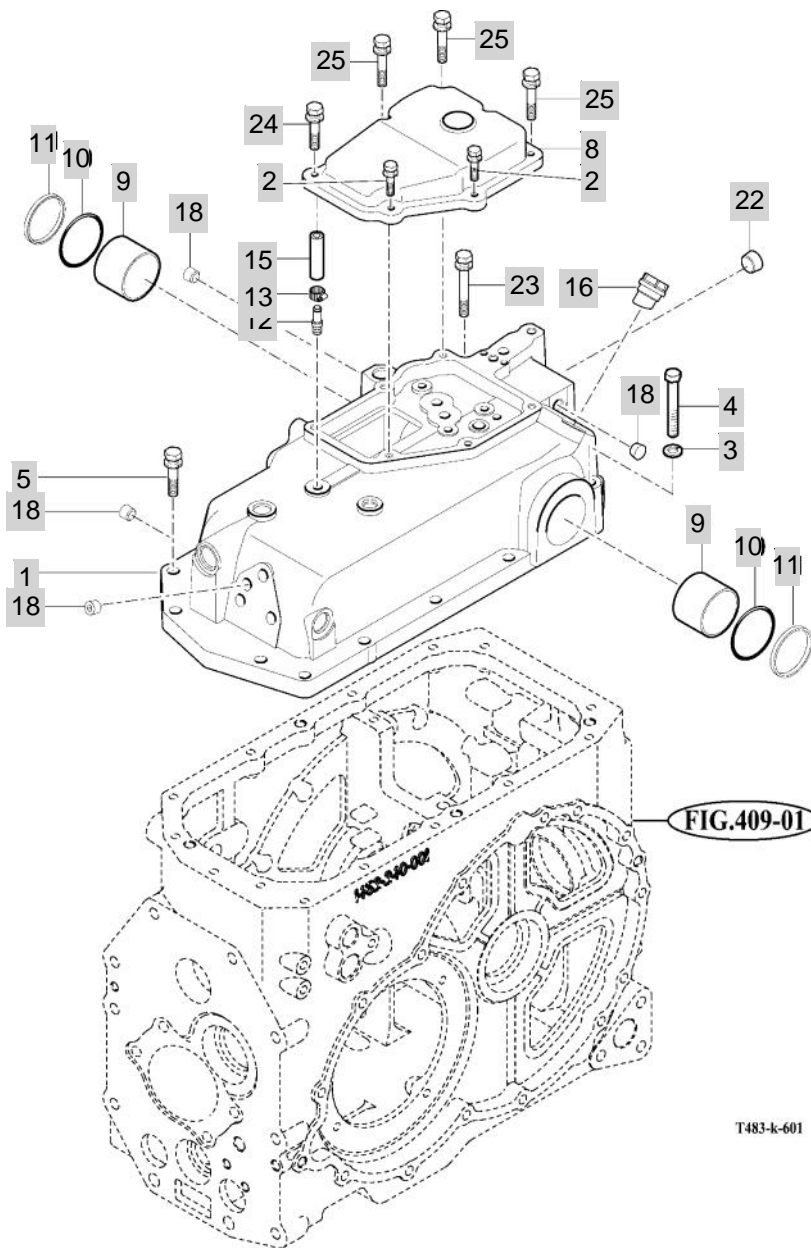
FIG 601

T503NC

CYLINDER CASE

년/월
Year/Month

2020.07



NOTE

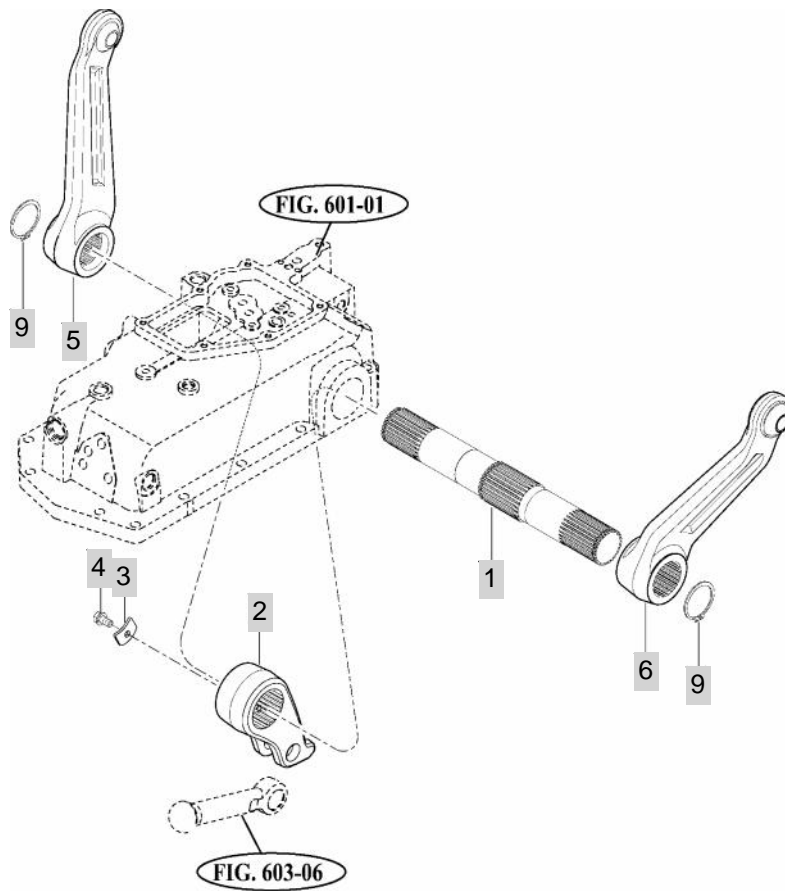
FIG 602

T503NC

LIFT ARM

년/월
Year/Month

2020.07



T483-K-602

NOTE

FIG 602 T503NC		LIFT ARM						년/월 Year/Month
								2020.07
KEY NO	PART NO	DESCRIPTION	SPEC	QTY	REPAIR	EFFECTIVE DATE	REMARKS	
602	1	17995020010M	BAR	1X1X1				
602	2	19965020020M	LIFT , CRANK	T=0.08		20060801		
602	3	17995020030	PLATE	T=3.2				
602	4	V2173608016	BOLT , HEX/S	M8X16		20120501		
602	5	17995020200M	ARM ASSY , LIFT	7.8X12.1X32.4				
602	6	17995020200M	ARM ASSY , LIFT	7.8X12.1X32.4				
602	9	V7041400480	C-RING , SHAFT	48				
NOTE								

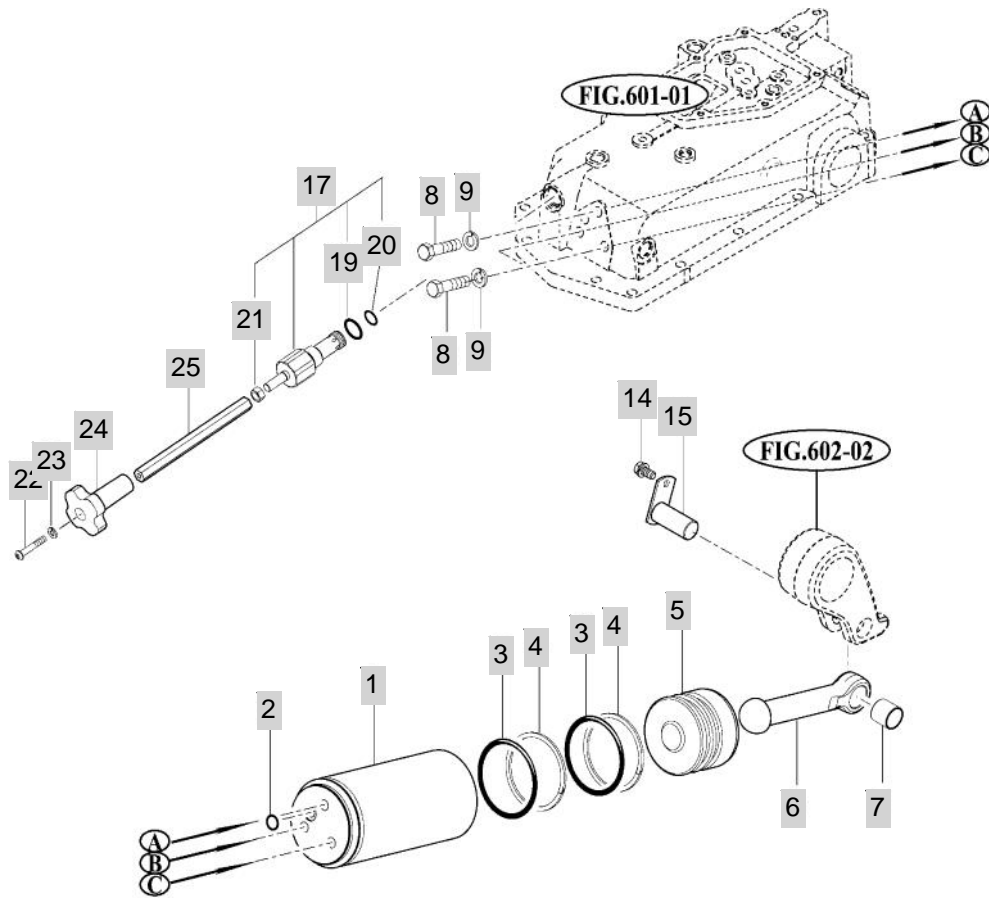
FIG 603

T503NC

CYLINDER

년/월
Year/Month

2020.07



T483-K-603

NOTE

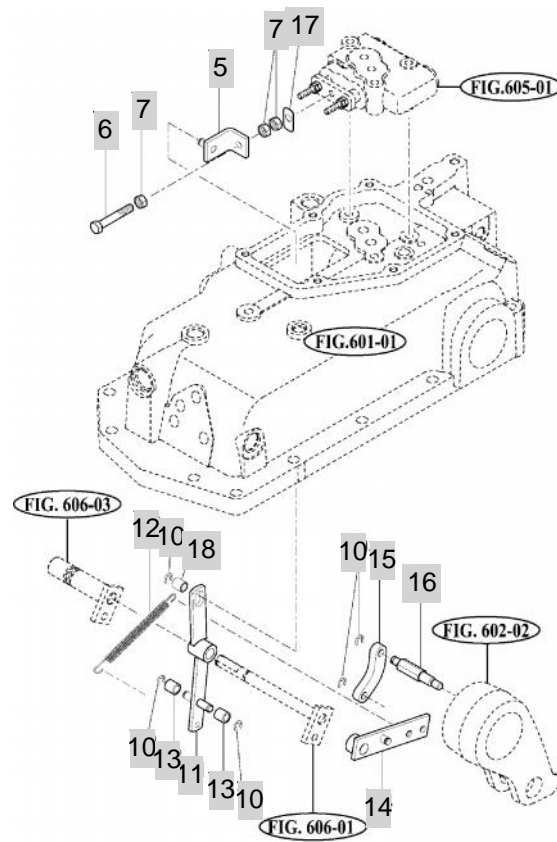
FIG 604

T503NC

POSITION LINK

년/월
Year/Month

2020.07



T483-K-604

NOTE

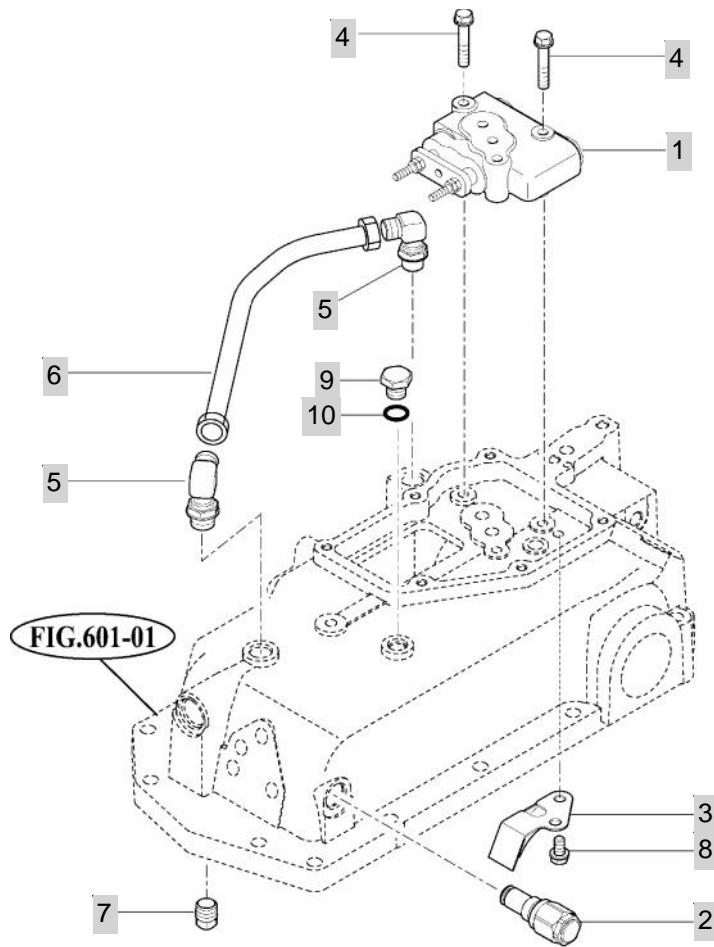
FIG 605

CONTROL VALVE

년/월
Year/Month

T503NC

2020.07



T483-K-605

NOTE

FIG 605 T503NC		CONTROL VALVE						년/월 Year/Month	
								2020.07	
KEY NO		PART NO	DESCRIPTION	SPEC	QTY	REPAIR	EFFECTIVE DATE	REMARKS	
605	1	17995050100	VALVE ASSY , MAIN CONTROL	115X125X36	1				
605	2	17680070000	VALVE ASSY . RELIEF	1X1X1	1				
605	3	17995050030	GUIDE OIL		1				
605	4	V2173608045	BOLT , HEX/S	M8X45	3				
605	5	16995304100	ELBOW , 90		2				
605	6	16735050601	PIPE , CYLINDER	1X1X1	1				
605	7	V7811600006	PLUG, SQAURE TAPER	PT3/8	1				
605	8	V2173608012	BOLT , HEX/S	M8X12	1		20040401		
605	9	76500800100	PLUG , HEX	1X1X1	1				
605	10	V7201024011	O-RING , P	P11	1				
NOTE									

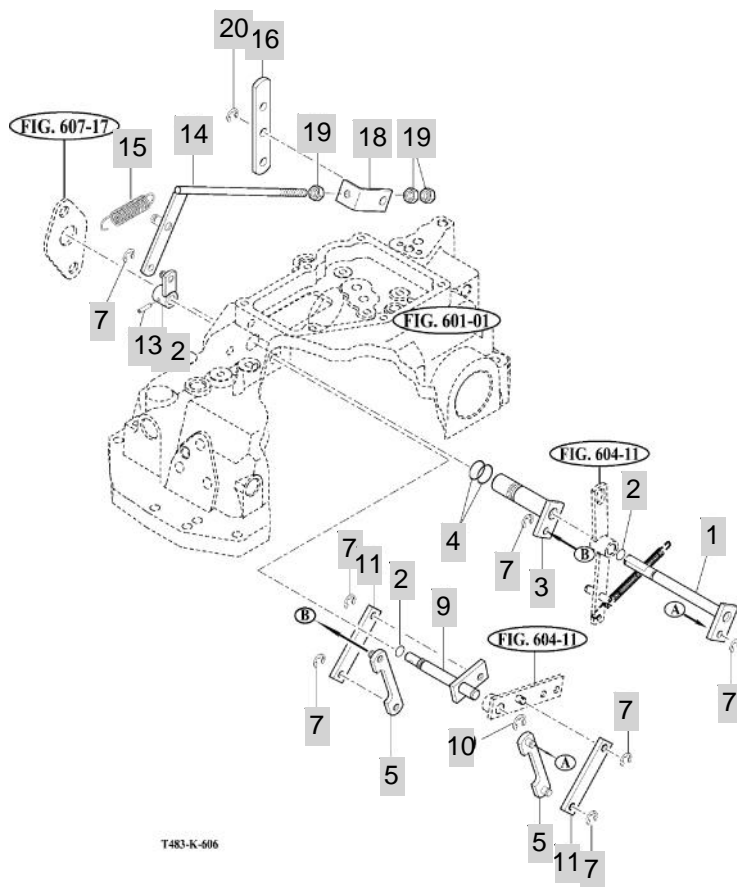
FIG 606

T503NC

DRAFT LINK

년/월
Year/Month

2020.07



T483-K-606

NOTE

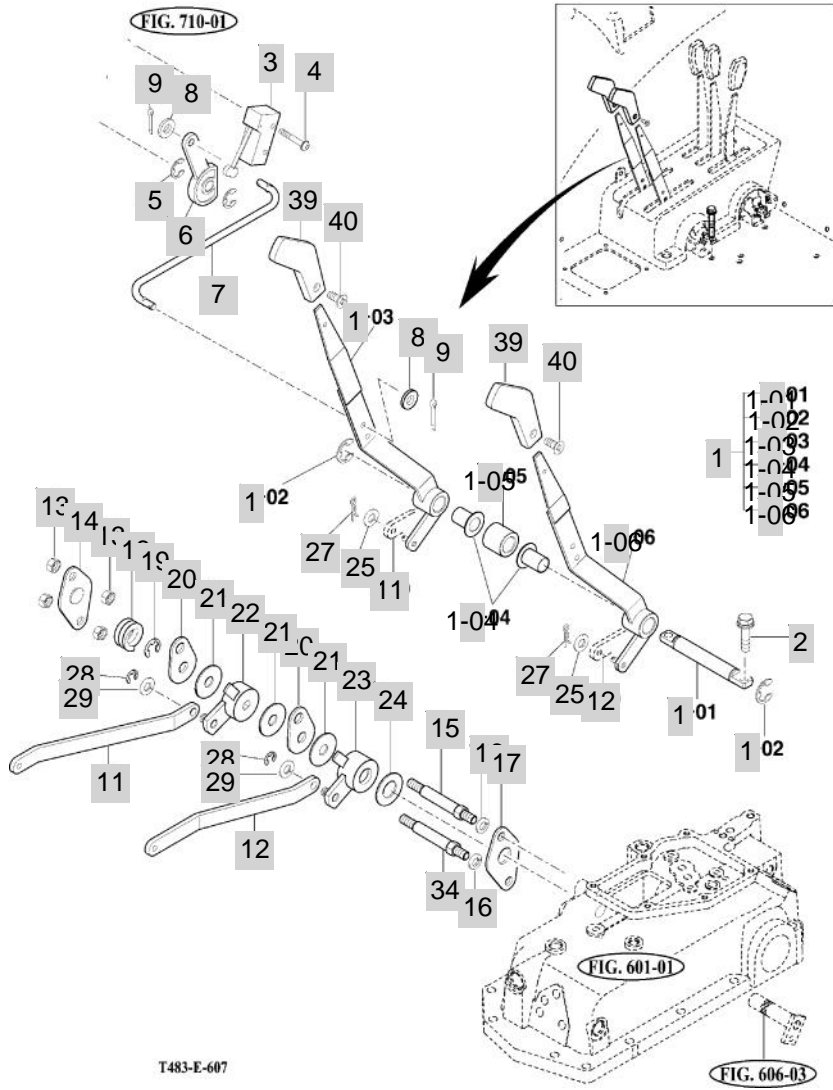
FIG 607

T503NC

POSITION & DRAFT LEVER

년/월
Year/Month

2020.07



NOTE

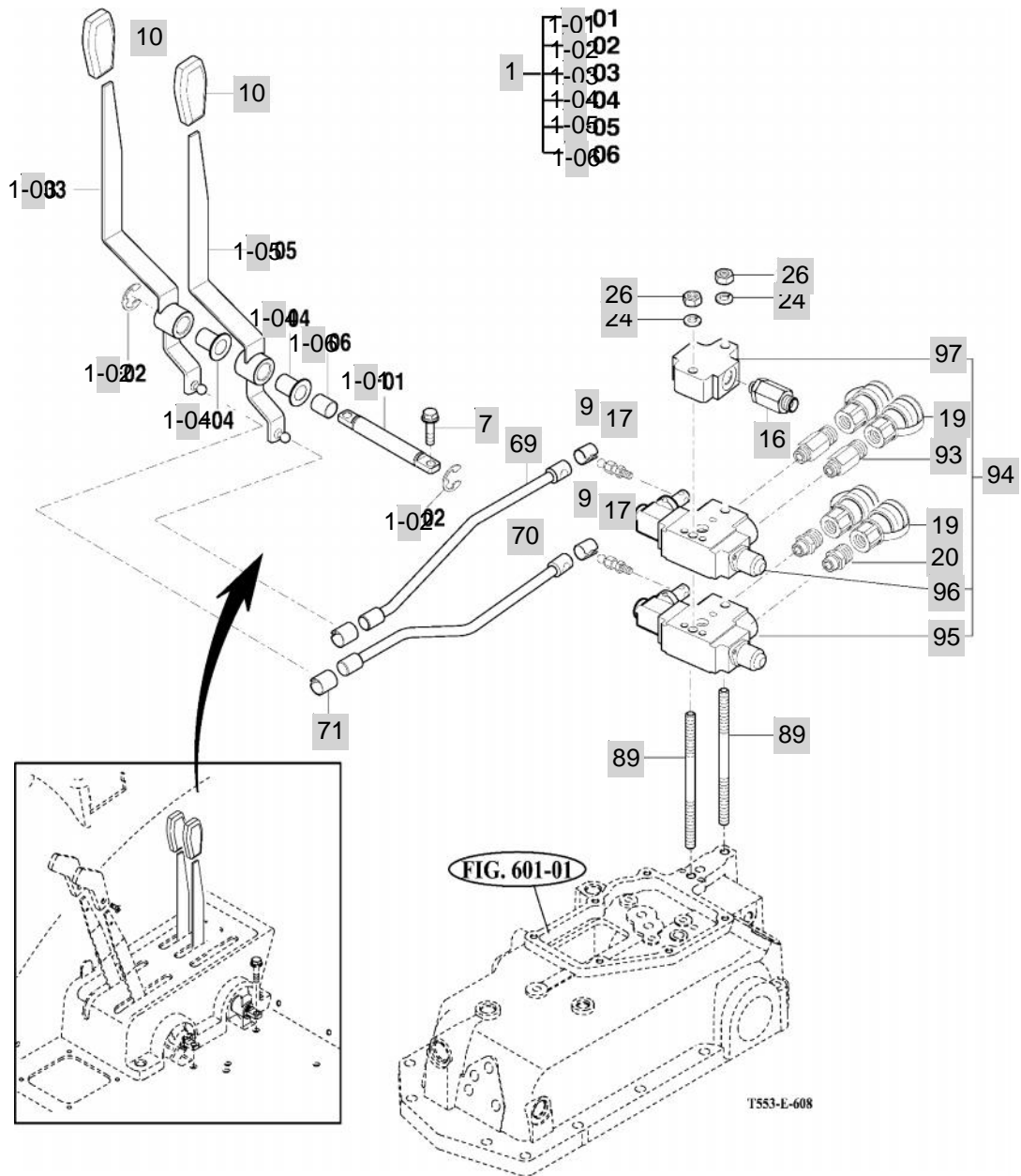
FIG 608

EXTERIOR HYD. VALVE

년/월
Year/Month

2020.07

T503NC



NOTE

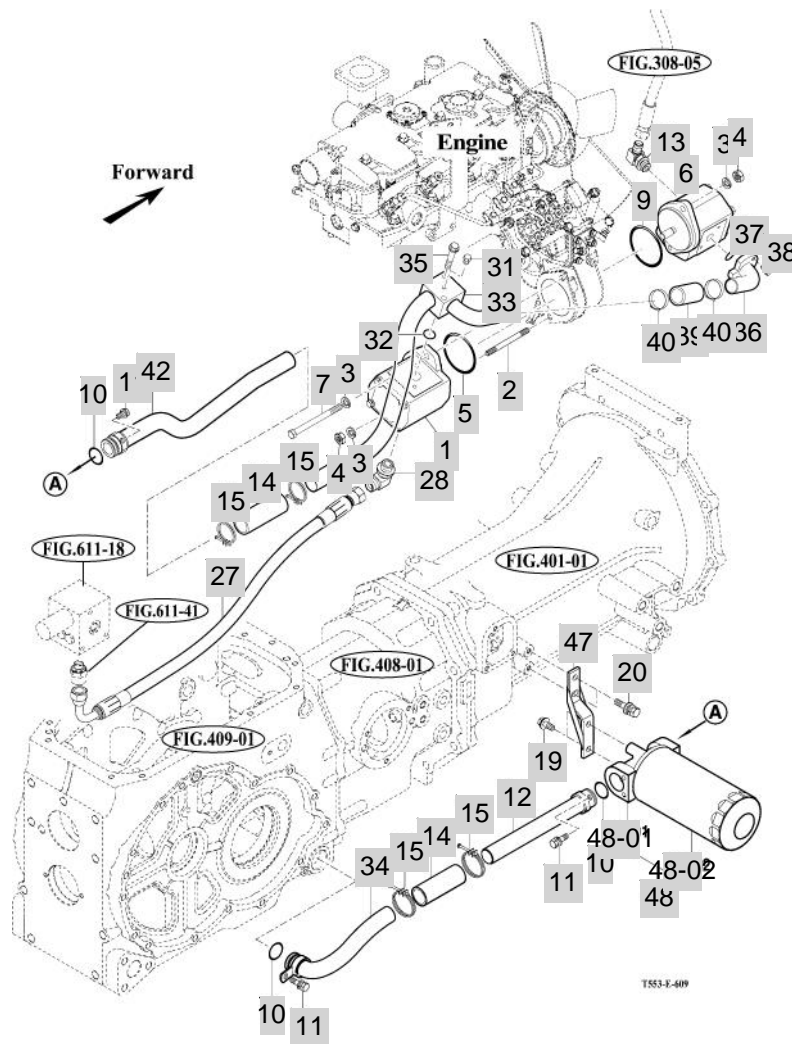
FIG 609

T503NC

HYDRAULIC PIPE

년/월
Year/Month

2020.07



NOTE

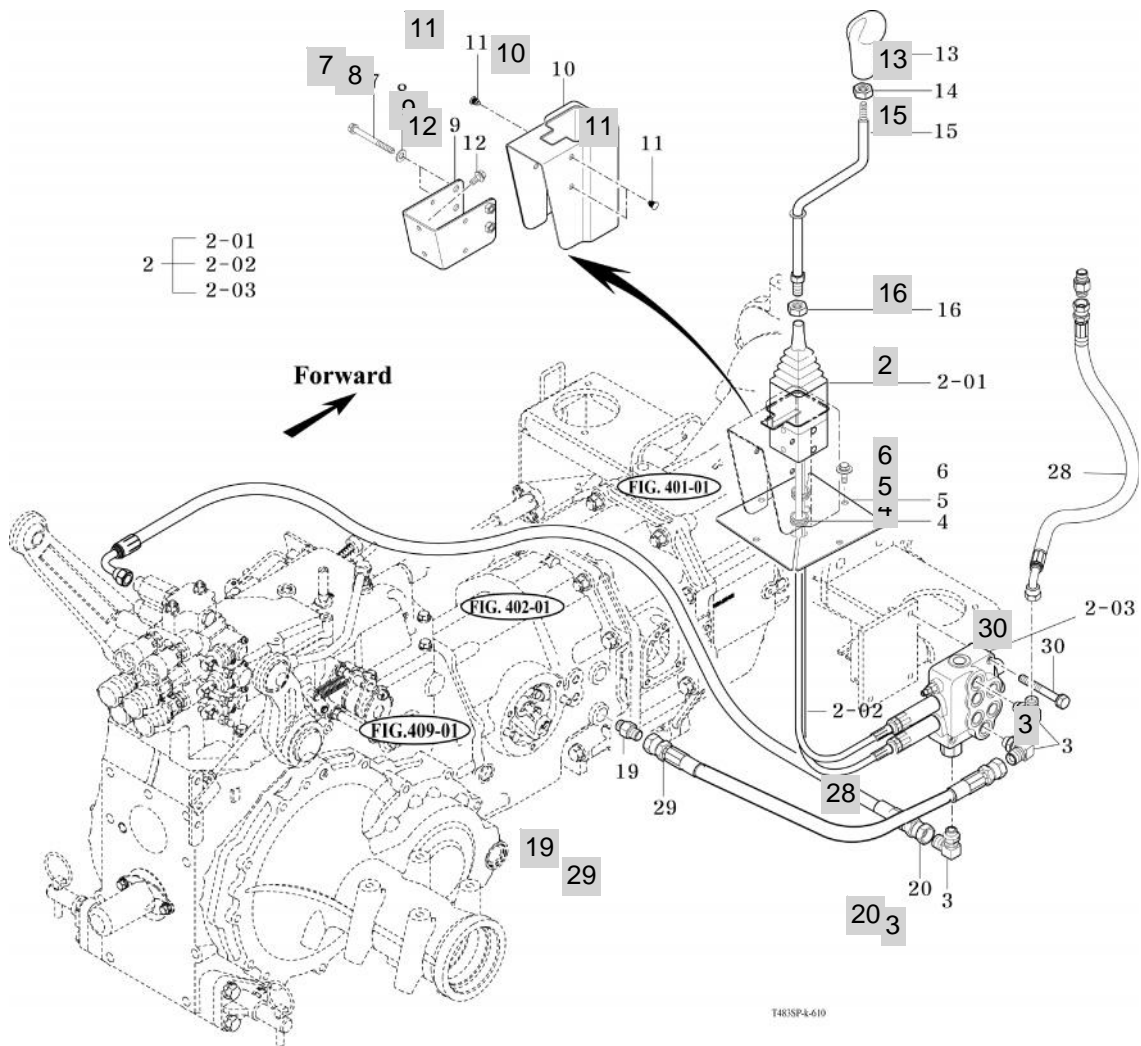
FIG 610

JOYSTICK

년/월
Year/Month

2020.07

T503NC



NOTE

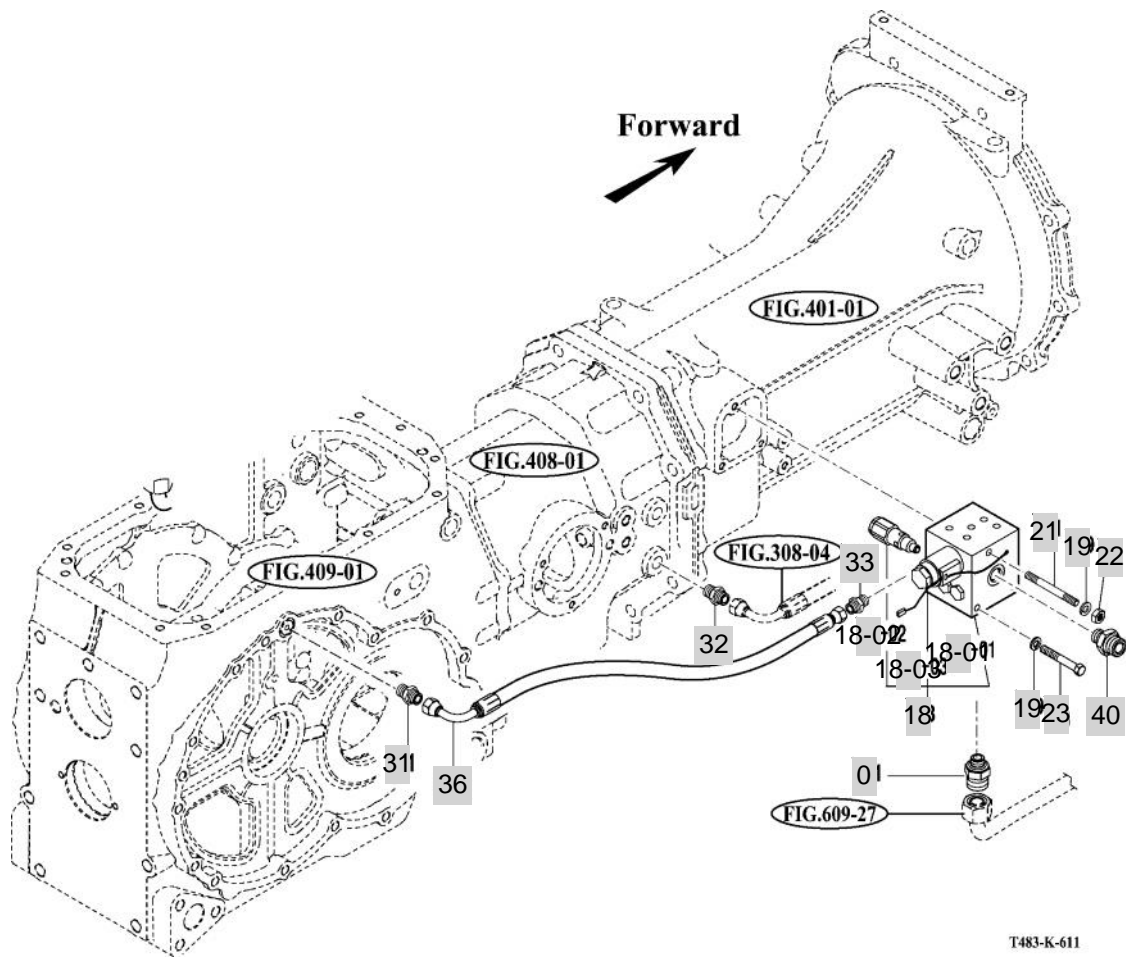
FIG 611

T503NC

HYDRAULIC HOSE

년/월
Year/Month

2020.07



T483-K-611

NOTE

FIG 611		HYDRAULIC HOSE					년/월 Year/Month	
T503NC		2020.07						
KEY NO	PART NO	DESCRIPTION	SPEC	QTY	REPAIR	EFFECTIVE DATE	REMARKS	
611	18	17975182000	VALVE ASSY , PTO	1X1X1		1		
611	18-01	14725182100	VALVE , PTO	1X1X1		1		
611	18-02	16490110001	VALVE ASSY , RELIEF	PVRI-005-030		1		
611	18-03	14725182210	SOLENOID COIL	1X1X1		1		
611	19	V4011600080	WASHER , SPRING	M8		2	20081201	
611	21	V2513408090	BOLT , STUD/2	M8X90		1		
611	22	V2183608020	BOLT , HEX/SP	M8X20		4	20081201	
611	23	V2013608090	BOLT , HEX	M8X90		2		
611	31	19841850140	ADAPTER , STRAIGHT PF1/4	1X1X1		1	20100225	
611	32	16994080072	UNION , SHORT	육각 22 (40X25)		1	20111020	
611	33	37681850141	ADAPTER , STRAIGHT			1		
611	36	14525180361	HOSE ASSY . HYD 690	1X1X1		1		
611	40	15165161130	ELBOW T (PF1/2,PF3/8)			1	20121201	
NOTE								

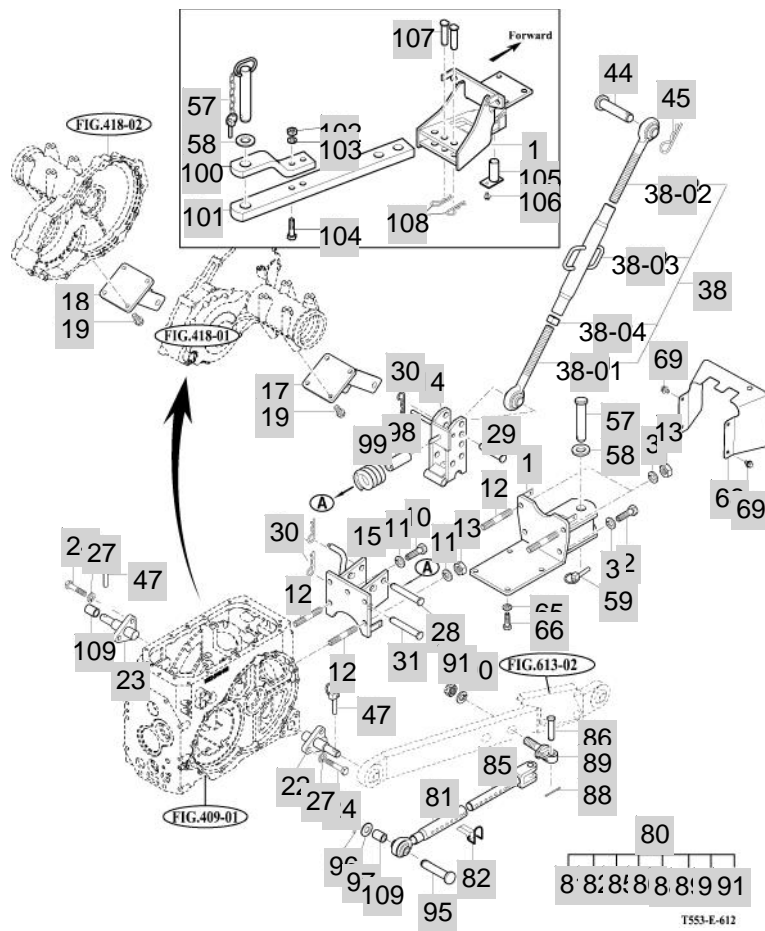
FIG 612

T503NC

HITCH & 3-POINT LINK

년/월
Year/Month

2020.07



NOTE

FIG 612		HITCH & 3-POINT LINK					년/월 Year/Month		
							2020.07		
T503NC		KEY NO	PART NO	DESCRIPTION	SPEC	QTY	REPAIR	EFFECTIVE DATE	REMARKS
612	1	14525202000GB	BRACKET COMP	1X1X1	1				
612	2	V2013616035	BOLT , HEX	M16X35	1			20081226	
612	3	V4011600160	WASHER , SPRING	M16	0			20090323	
612	10	V2013616035	BOLT , HEX	M16X35	1			20081226	
612	11	V4011600160	WASHER , SPRING	M16	0			20090323	
612	12	V2513416035	BOLT , STUD/2	M16X35	4				
612	13	V3043600160	NUT , HEX/2	M16	6			20120418	
612	14	16735222102GB	LINK COMP	1X1X1	1				
612	15	12755222000GB	BRACKET COMP	1X1X1	1				
612	17	14525254100GB	BRACKET COMP , RR		1				
612	18	14525254100GB	BRACKET COMP , RR		1				
612	19	V2173612030	BOLT , HEX/S	M12X30	8				
612	22	15685252204	PIN COMP , LH		1				
612	23	15685252801	PIN COMP , RH		1				
612	24	V2013614040	BOLT , HEX	M14X40	6			20080701	
612	27	V4011600140	WASHER , SPRING	M14	17			20080714	
612	28	15642520011	PIN , 19X122		1			20100616	
612	29	15645220020	PIN , 19X95	D=19	1			20110321	
612	30	14445140051	PIN , 19	D=4.5	3			20110321	
612	31	15642520011	PIN , 19X122		1			20100616	
612	38	16505245500GB	LINK ASSY , TOP LINK	1X1X1	1				
612	38-01	16505245510	LINK COMP , RH TOP LINK	1X1X1	1				
612	38-02	16505245520	LINK COMP , LH TOP LINK	1X1X1	1				
612	38-03	14555140250	TURNBUCKLE COMP	1X1X1	1			20120213	
612	38-04	16505245530	NUT , HEX	1X1X1	1				
612	44	15645220011	PIN , 19X86	D=19	0			20101126	
612	45	14445140051	PIN , 19	D=4.5	3			20110321	
612	47	14215020020	PIN , LINK		0			20060401	
612	57	S0973063031	PIN ASSY	1X1X1	1				
612	58	15252470010	RUBBER , CUSHION		1			20030401	
612	59	14215020020	PIN , LINK		0			20060401	
612	65	V4011600140	WASHER , SPRING	M14	17			20080714	
612	66	V2013614035	BOLT , HEX	M14X35	4			20030401	
612	68	13605200012GB	COVER , SHIELD	1X1X1	1			20080924	
612	69	V2183608016	BOLT , HEX/SP	M8X16	2			20091203	
612	80	15155253000GB	LINK ASSY , ADJUSTER	570*60*50	2				
612	81	15155253100	ROD SUB , FR	44*320*60	2				
612	82	17705254200	PIN	1X1X1	1			20120712	
612	85	15155253300	ROD SUB , REAR	340*50*50	2				
612	86	15155253400	PIN , ø20X59	ø20X59	2				
612	88	V5001940035	PIN , SPLIT	4X35	2				
612	89	15155253500	EYEBOLT	66*60*40	2				
612	90	V4111602200	.WASHER , PLAIN	M22	2				
612	91	V3343600220	NUT , HEX FINE/2	M22	16			20080601	
612	95	15645220020	PIN , 19X95	D=19	1			20110321	
NOTE									

FIG 612			HITCH & 3-POINT LINK					년/월 Year/Month	
								2020.07	
T503NC									
KEY NO		PART NO	DESCRIPTION	SPEC	QTY	REPAIR	EFFECTIVE DATE	REMARKS	
612	96	V5001950035	PIN , SPLIT	5X35	0		20051201		
612	97	V4111600200	WASHER , PLAIN	M20	2				
612	98	17995220990	RUBBER , GUIDE	1X1X1	0		20100128		
612	99	15685100020GB	SPRING , HC 067	1X1X1	1				
612	100	13602470020GB	LINK , HITCH	1X1X1	-				
612	101	13252470010GB	LINK , DRAW BAR	640X65X30	-				
612	102	15189240160	NUT , NYLON , M16	1X1X1	2		20090323		
612	103	V4011600160	WASHER , SPRING	M16	0		20090323		
612	104	V2003616070	BOLT , HEX	M16X70	-				
612	105	13252471000	PIN COMP, DRAWBAR	38X62X80	-				
612	106	V2183608016	BOLT , HEX/SP	M8X16	2		20091203		
612	107	17995200021	PIN , 19X76	D=19	0		20051201		
612	108	14445140051	PIN , 19	D=4.5	3		20110321		
612	109	19955201600	COLLAR , 19X36X17	D=36	2		20060101		
NOTE									

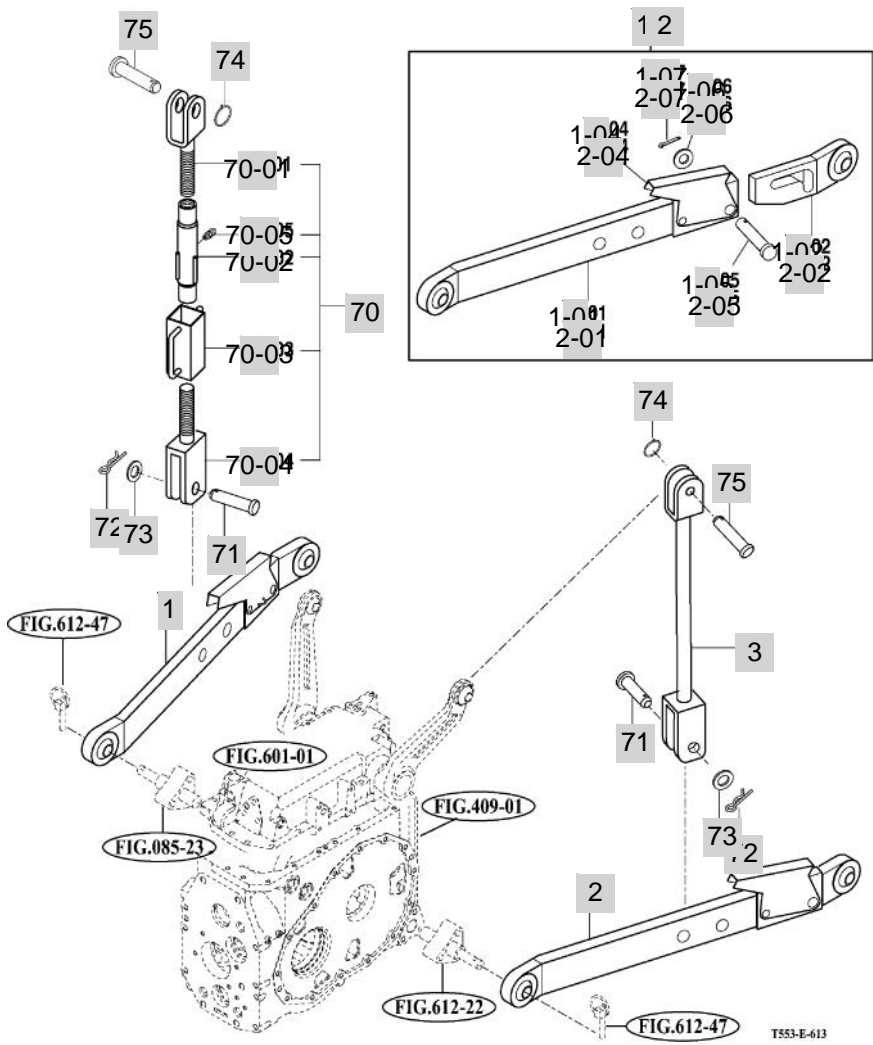
FIG 613

LOWER LINK & LIFT ROD

년/월
Year/Month

T503NC

2020.07



NOTE

7. SHEET, METAL & CABIN PART NO. T503NC-E-C7

FIG 701 HOOD(1)	248
FIG 702 HOOD(2)	250
FIG 704A LEVER COVER & STEP	252
FIG 704B LEVER COVER & STEP-NON CAB	254
FIG 705 FRONT & REAR MOUNTING	256
FIG 706 SEAT & MAT	258
FIG 710B FRAME & 2POLES ROPS-NON CAB	260
FIG 712 REAR GLASS	262
FIG 713A SUB FENDER & COVER	264
FIG 713B SUB FENDER & COVER-NON CAB	266
FIG 714B MIRROR & WORKING LAMP-NON CAB	268
FIG 718 CABIN INTERIOR	270

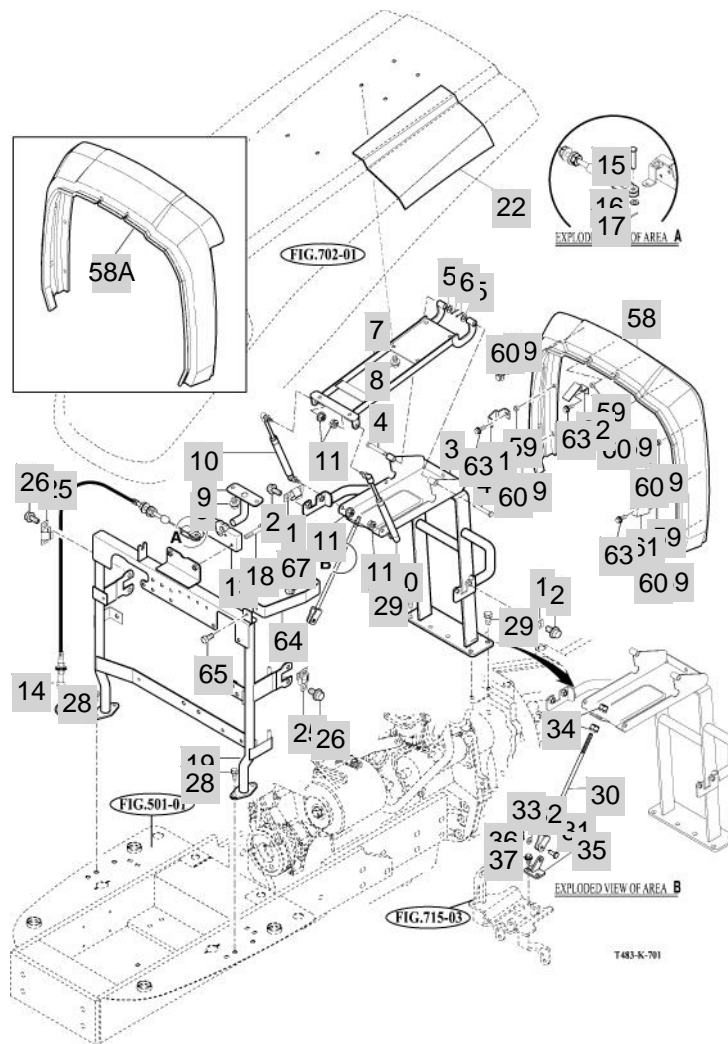
FIG 701

T503NC

HOOD(1)

년/월
Year/Month

2020.07



NOTE

FIG 701		HOOD(1)					년/월 Year/Month		
							2020.07		
T503NC		KEY NO	PART NO	DESCRIPTION	SPEC	QTY	REPAIR	EFFECTIVE DATE	REMARKS
701	1	17686013502	SPRING	T=1.0	2				
701	2	V2183608020	BOLT , HEX/SP	M8X20	4			20081201	
701	3	14526052003GB	FRAME COMP . HOOD/SUPPORT	1X1X1	1			20100126	
701	4	16996024552	PIN	D=8	2				
701	5	V4111600080	WASHER , PLAIN	M8	4			20081201	
701	6	V5001920020	PIN , SPLIT	2X20	1			20040501	
701	7	14526022100	HOOD LOCK COMP	104.7*80*100	1			20080728	
701	8	V2183608016	BOLT , HEX/SP	M8X16	2			20091203	
701	9	14526022100	HOOD LOCK COMP	104.7*80*100	1			20080728	
701	10	19957022201	DAMPER ASSY,HOOD	1X1X1	2			20060101	
701	11	V3802600080	NUT , HEX FLANGE	M8	1			20120501	
701	13	17686020600	LOCK COMP . HOOD	1X1X1	1				
701	14	14526020650	CABLE ASSY , HOOD	1X1X1	1			20081222	
701	15	15601160083	PIN , 06X16	D=6	1			20110113	
701	16	V4111600060	WASHER , PLAIN	M6	3			20090626	
701	17	V5001920020	PIN , SPLIT	2X20	1			20040501	
701	18	V2053606035	BOLT , HEX C/R	M6X35	2				
701	19	14526011002GB	FRAME COMP . HOOD/FRONT	1X1X1	1			20090620	
701	22	17136110060	INSULATOR , F	500X208*5	1			20111130	
701	25	17686013502	SPRING	T=1.0	2				
701	26	V2183608020	BOLT , HEX/SP	M8X20	4			20081201	
701	28	V2183608020	BOLT , HEX/SP	M8X20	4			20081201	
701	29	V2183610020	BOLT , HEX/SP	M10X20	0			20070831	
701	30	14523282200	ROD COMP	1X1X1	1				
701	31	14322420010	PIN	D=8	2			20110321	
701	32	V4111600080	WASHER , PLAIN	M8	4			20081201	
701	33	V5601600008	PIN , SNAP	8	1				
701	34	V3802600080	NUT , HEX FLANGE	M8	1			20120501	
701	35	19956052100GB	BRACKET COMP	1X1X1	1				
701	36	V2183608020	BOLT , HEX/SP	M8X20	4			20081201	
701	37	V2183608016	BOLT , HEX/SP	M8X16	2			20091203	
701	58	14527071131	COVER,EXTENTION	T=7	-				
701	58A	14537071130	COVER,EXTENTION	T=7	1				
701	59	17131012300	COLLAR		1			20101027	
701	60	V2193606020	BOLT , HEX/SPL	M6X20	6				
701	61	14527071330	BRACKET , EXTENSION COVER LOWER	T=7	2				
701	62	14527071340	BRACKET , EXTENSION COVER UPPER	T=7	2				
701	63	V2123606020	BOLT , HEX /SP	M6X20	4			20120901	
701	64	14526012102	PLATE COMP , FIX	19X4.5T	1			20090909	
701	65	V2123606020	BOLT , HEX /SP	M6X20	4			20120901	
701	67	V2123606025	BOLT , HEX /SP	M6X25	2			20090909	
NOTE									

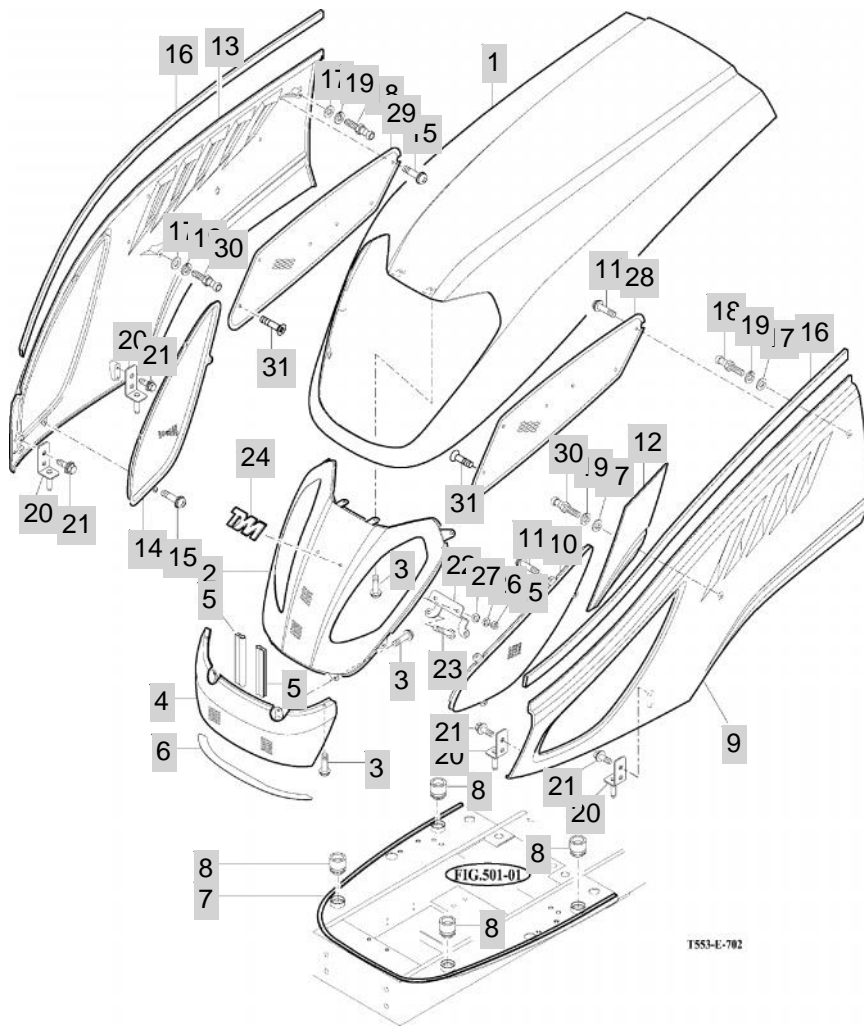
FIG 702

T503NC

HOOD(2)

년/월
Year/Month

2020.07



NOTE

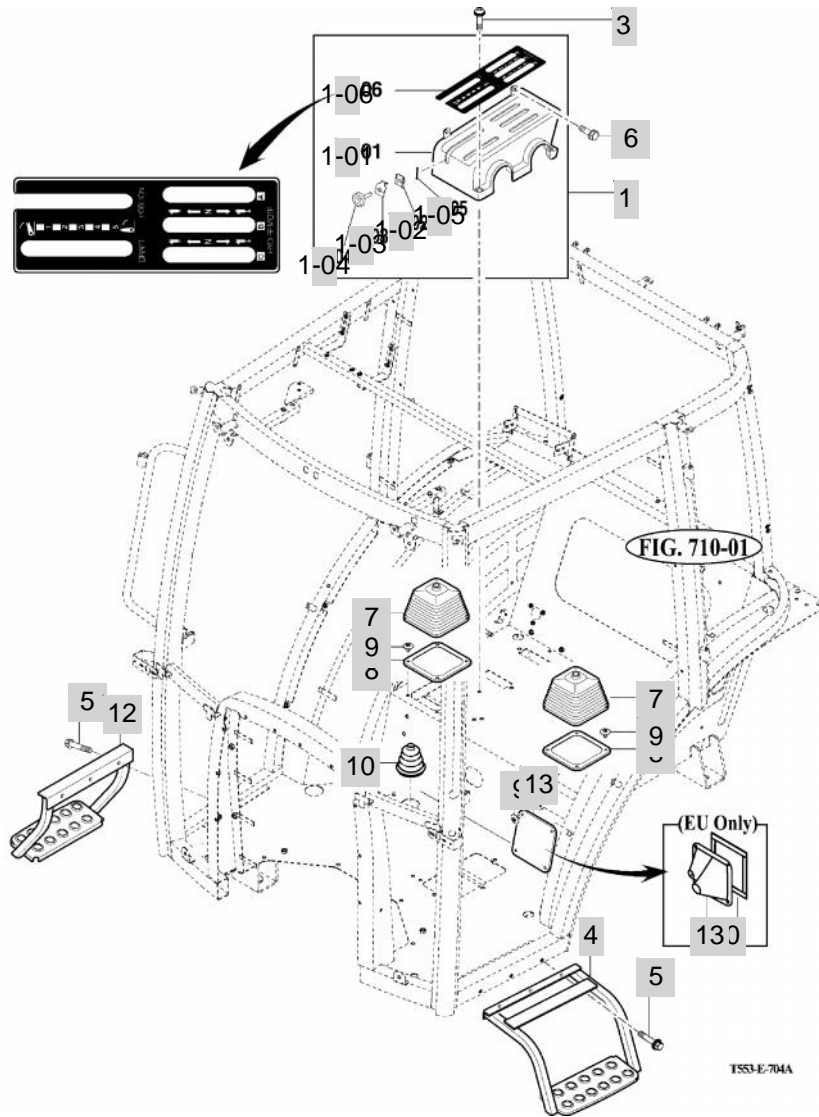
FIG 704A

T503NC

LEVER COVER & STEP

년/월
Year/Month

2020.07



NOTE

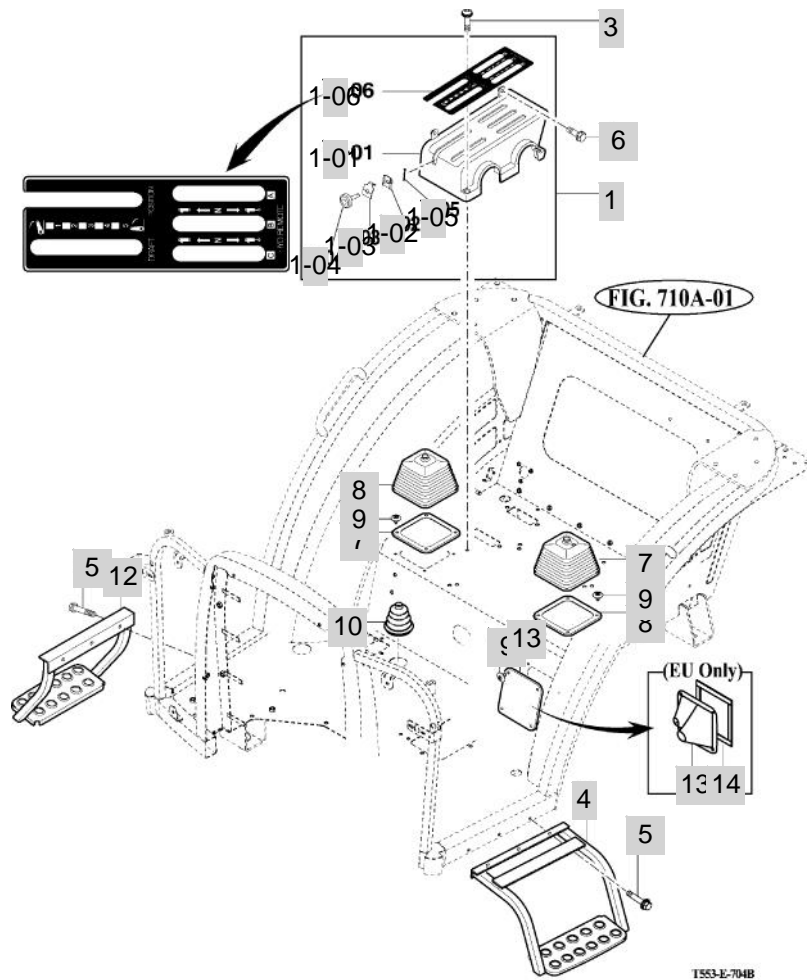
FIG 704B

T503NC

LEVER COVER & STEP-NON CAB

년/월
Year/Month

2020.07



NOTE

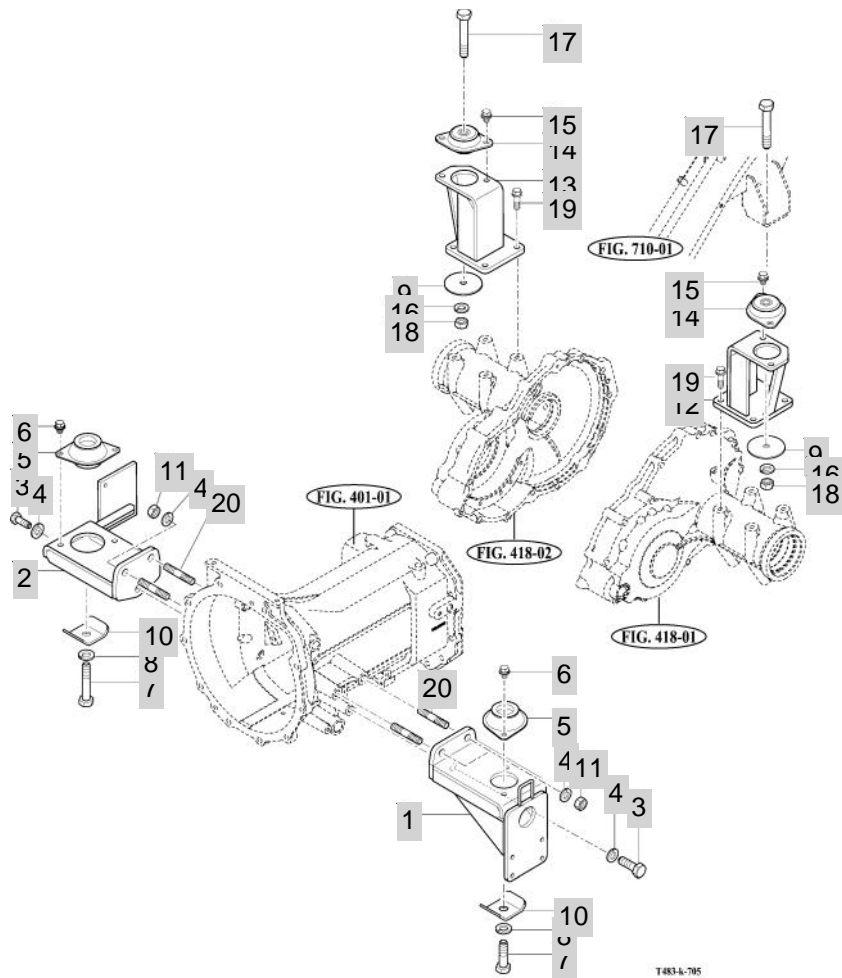
FIG 705

T503NC

FRONT & REAR MOUNTING

년/월
Year/Month

2020.07



T483-4-705

NOTE

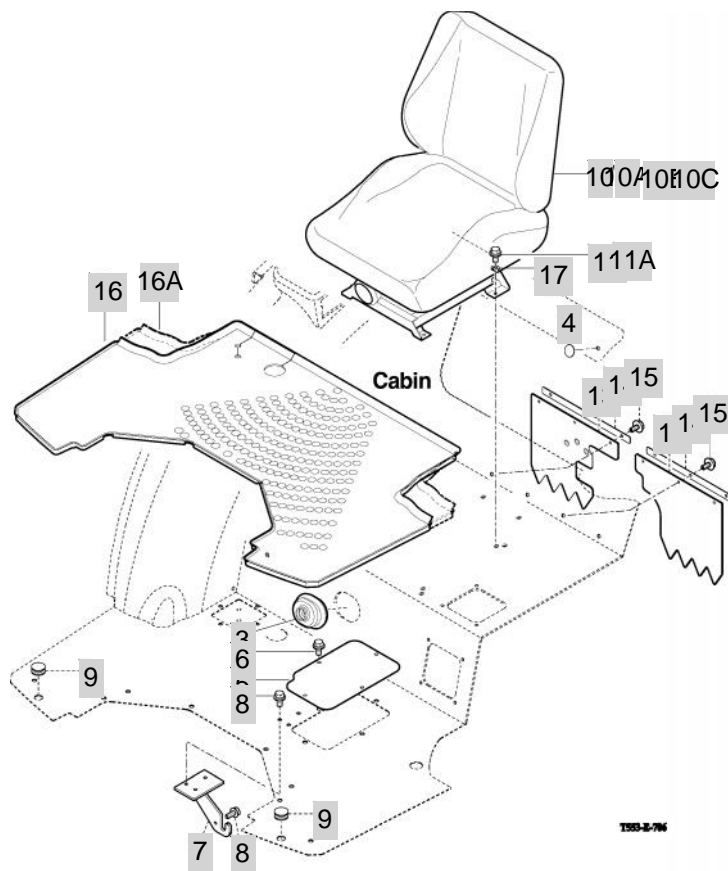
FIG 706

T503NC

SEAT & MAT

년/월
Year/Month

2020.07



NOTE

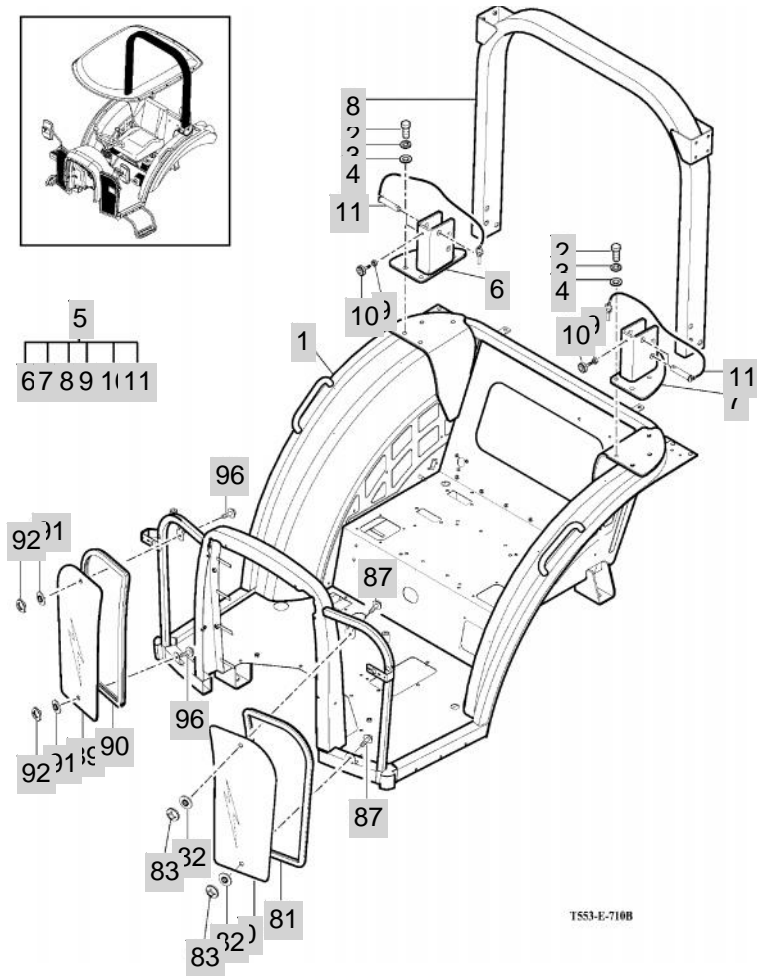
FIG 710B

FRAME & 2POLES ROPS-NON CAB

년/월
Year/Month

2020.07

T503NC



T553-E-710B

NOTE

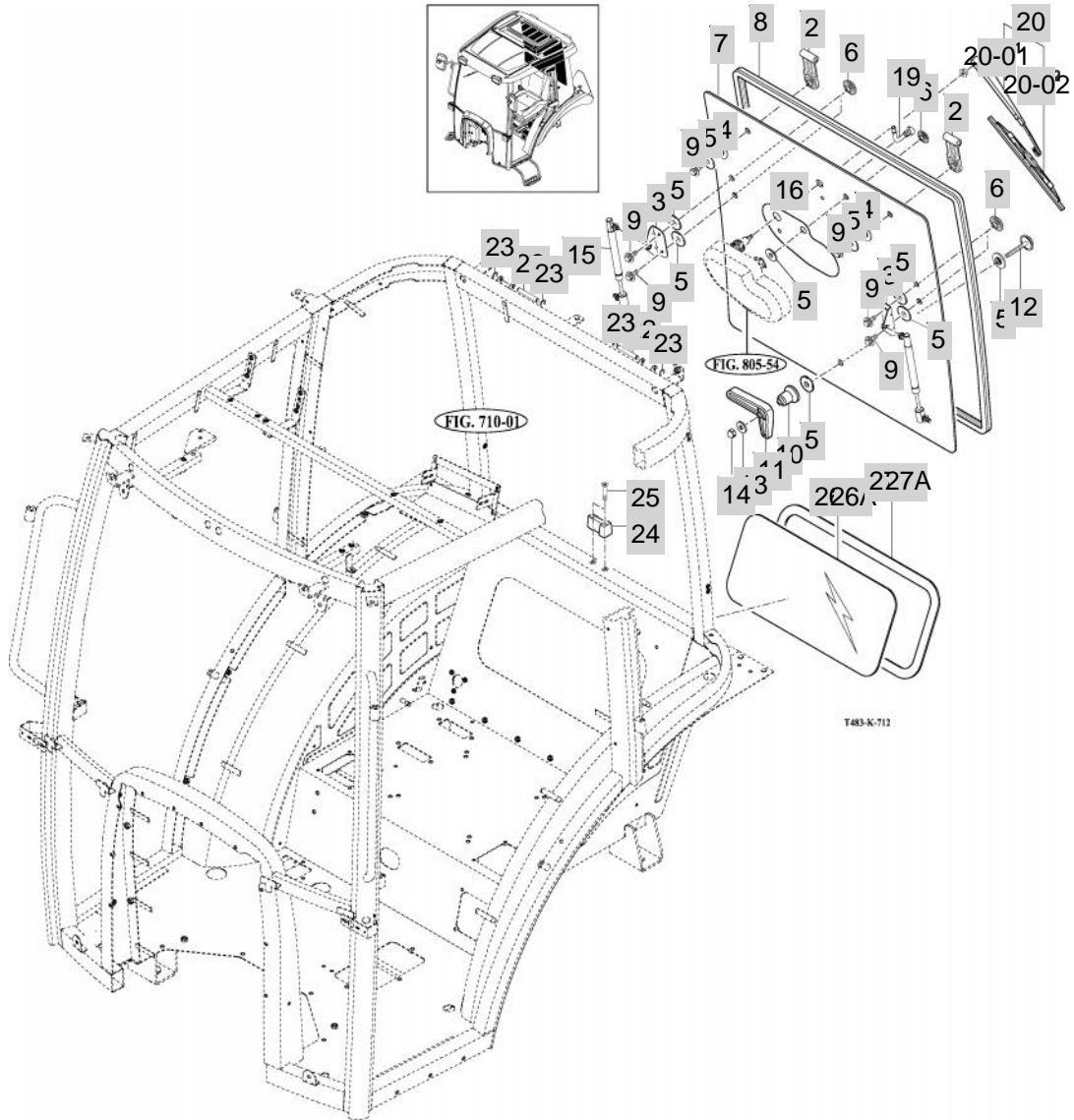
FIG 712

REAR GLASS

년/월
Year/Month

T503NC

2020.07



NOTE

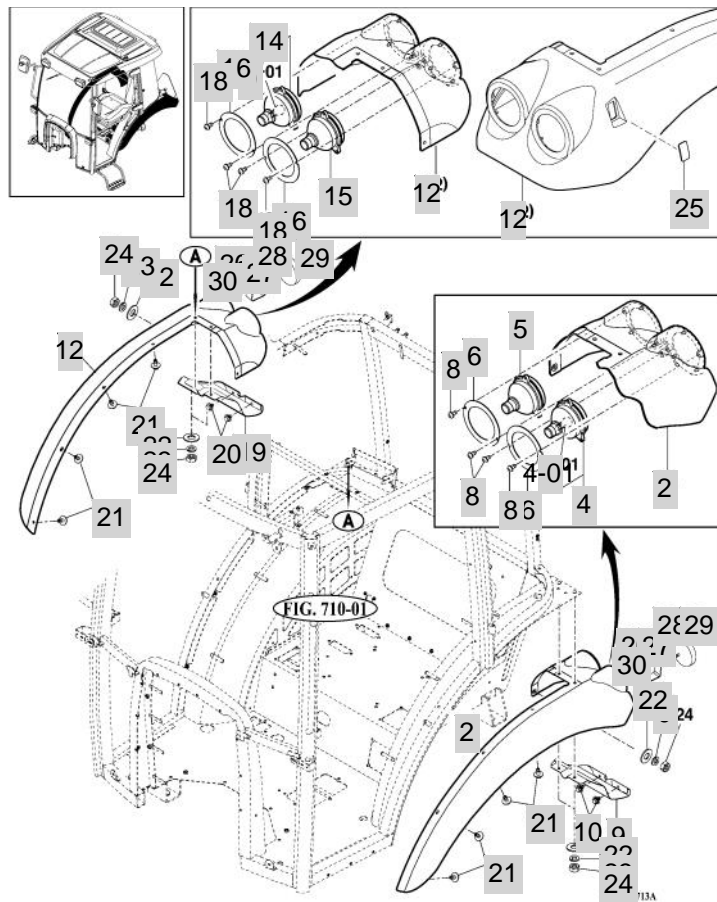
FIG 713A

SUB FENDER & COVER

년/월
Year/Month

2020.07

T503NC



NOTE

FIG 713A T503NC	SUB FENDER & COVER	년/월 Year/Month
		2020.07

KEY NO	PART NO	DESCRIPTION	SPEC	QTY	REPAIR	EFFECTIVE DATE	REMARKS
713A	2	14527063100SR	FENDER COMP , LH/SUB	1X1X1	-		
713A	4	14527023300	LAMP ASSY , RR COMBINATION	1X1X1	-		
713A	4-01	15646542130	BULB , 12V 21W	S25.BA15S	-		
713A	5	17687023401	LAMP ASSY . STOP	1X1X1	-		
713A	6	14527061120	PLATE , LAMP	1.6T	-		
713A	8	V1212606012	SCREW , C/R PAN/S	M6X12	-		
713A	9	14527061770	COVER,LH / LAMP	T=2	-		
713A	10	V2193606012	BOLT , HEX/SPL	M6X12	5	20040401	
713A	12	14527063201SR	FENDER COMP,RH/SUB	1X1X1	-		
713A	14	14527023300	LAMP ASSY , RR COMBINATION	1X1X1	-		
713A	15	17687023401	LAMP ASSY . STOP	1X1X1	-		
713A	16	14527061120	PLATE , LAMP	1.6T	-		
713A	18	V1202606012	SCREW , C/R PAN /P	M6X12	-		
713A	19	14527061781	COVER,RH / LAMP	T=2	-		
713A	20	V2193606012	BOLT , HEX/SPL	M6X12	5	20040401	
713A	21	V2193606020	BOLT , HEX/SPL	M6X20	-		
713A	22	16997013020	WASHER , EVAPORATOR COVER	T =1.6	-		
713A	23	V4011600060	WASHER , SPRING	M6	4	20040901	
713A	24	V3013600060	NUT .HEX NORMAL /2	M6	0	20080403	
713A	25	14527063311	CAP,SWITCH		1	20121331	
713A	26	14527061170	PLATE , REFLECT	30X16	2		
713A	27	V3002600050	NUT , HEX/1	M5	0	20081024	
713A	28	V4011600050	WASHER , SPRING	M5	0	20081024	
713A	29	13606571000	REAR REFLECTOR	1X1X1	2		
713A	30	V2113606012	BOLT , HEX /S	M6X12	2	20081201	

NOTE	
------	--

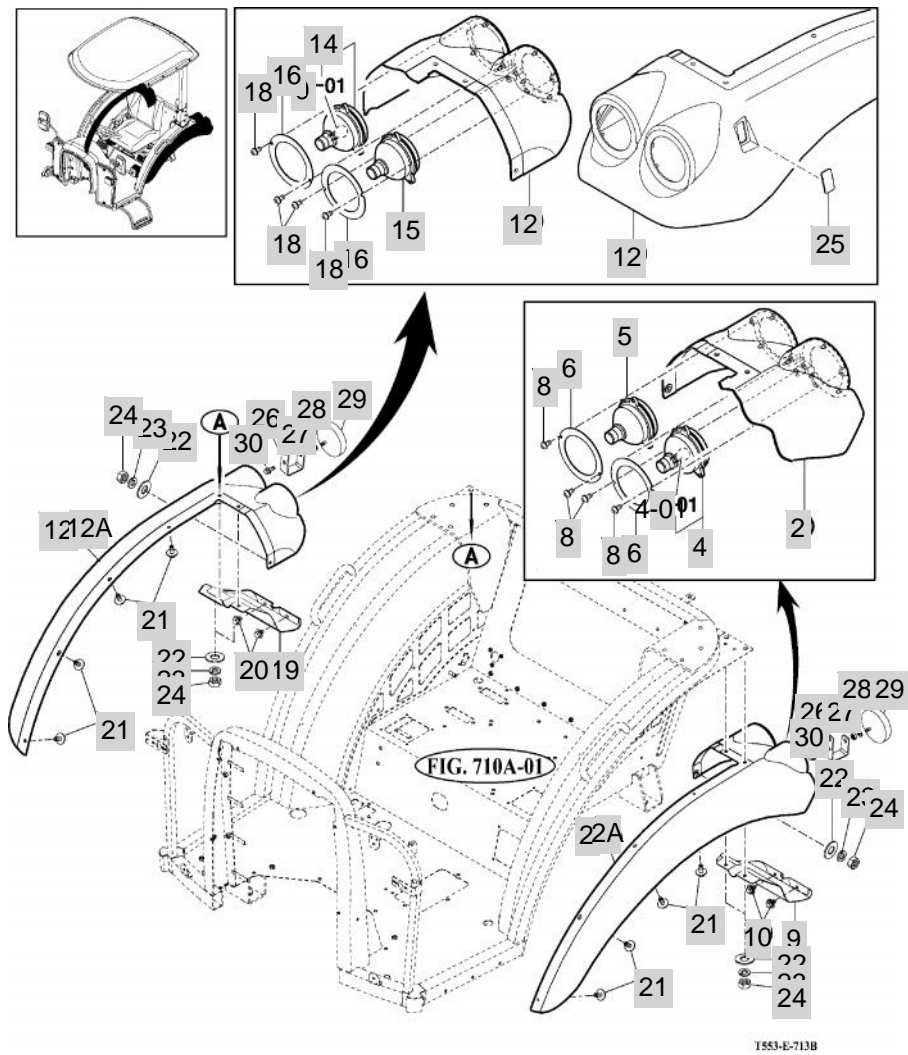
FIG 713B

SUB FENDER & COVER-NON CAB

년/월
Year/Month

T503NC

2020.07



NOTE

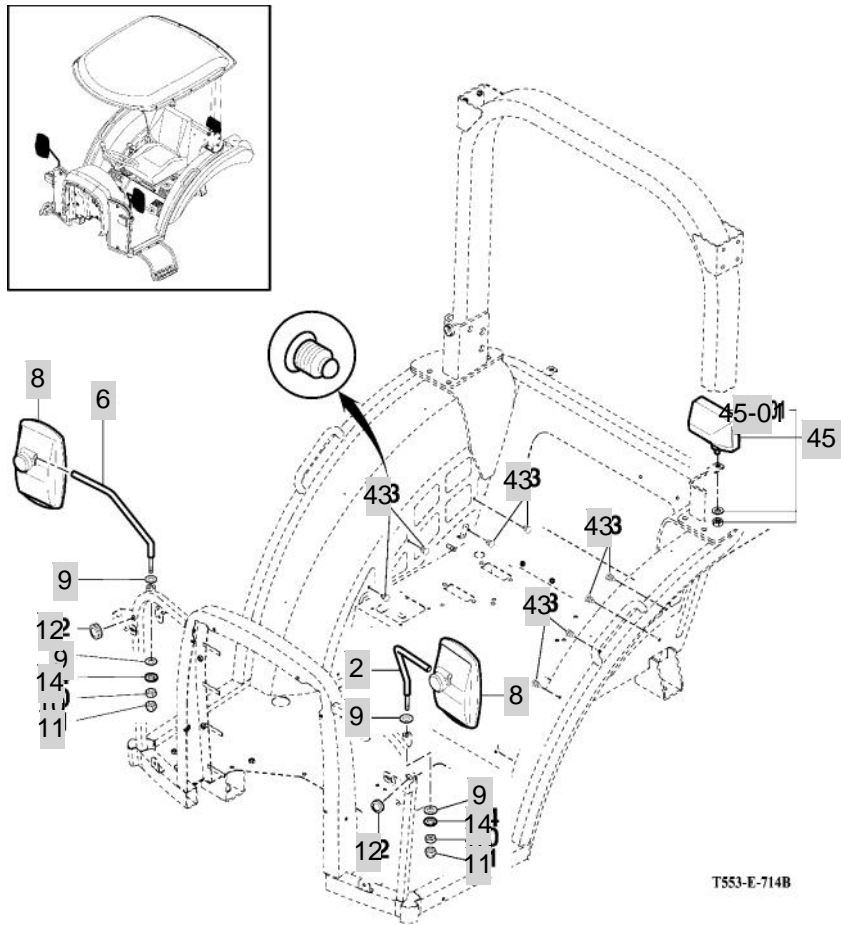
FIG 714B

MIRROR & WORKING LAMP-NON CAB

년/월
Year/Month

2020.07

T503NC



NOTE

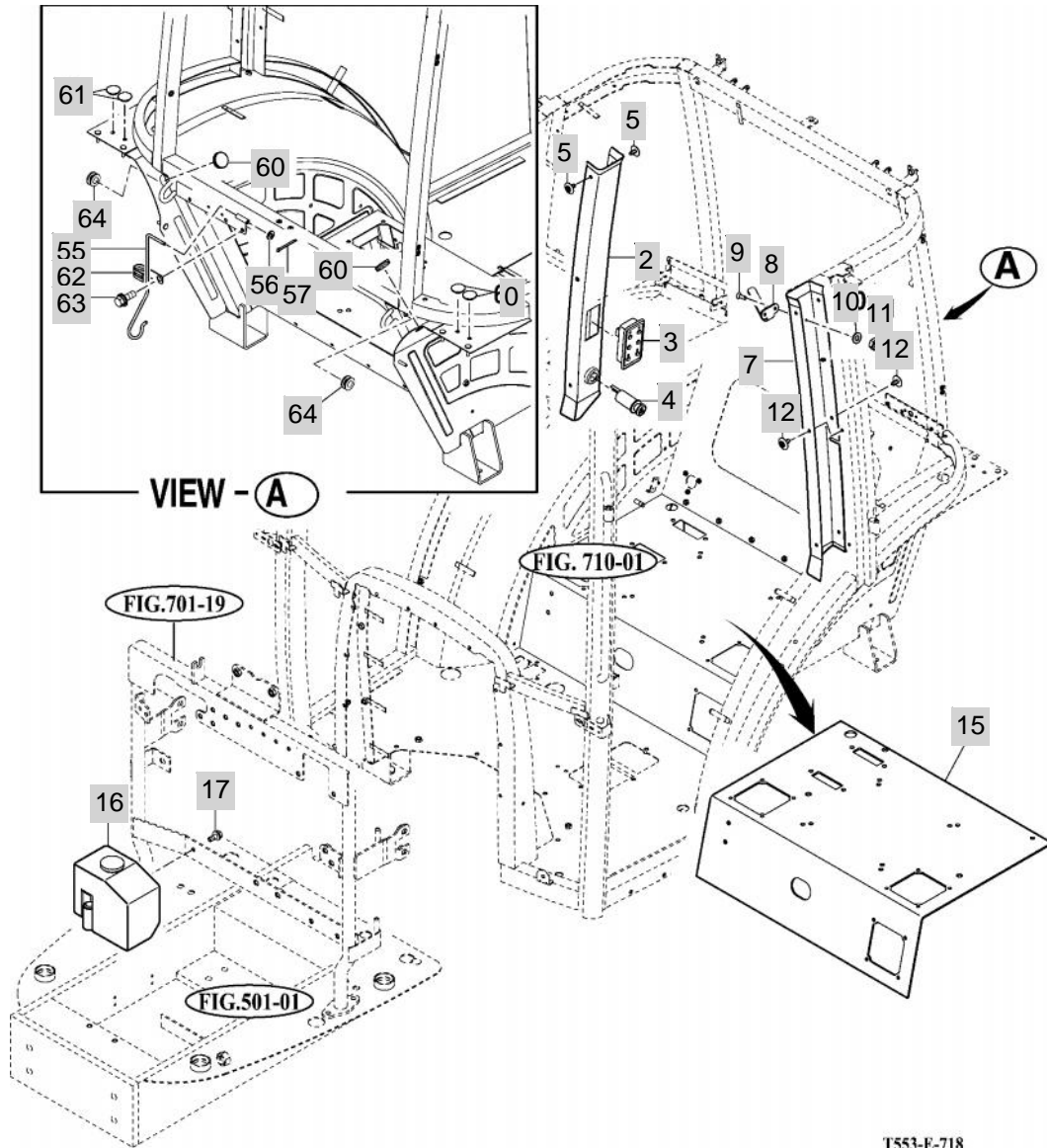
FIG 718

CABIN INTERIOR

년/월
Year/Month

T503NC

2020.07



T553-E-718

NOTE

8. ELECTRICALS & HARNESS PART NO. T503NC-E-C8

FIG 801 BATTERY & MOUNTING	273
FIG 802 LIGHT & BACK LAMP	275
FIG 803 INSTRUMENT PANEL	277
FIG 804 ELECTRIC SYSTEM(1)	279
FIG 805B ELECTRIC SYSTEM(2)	281

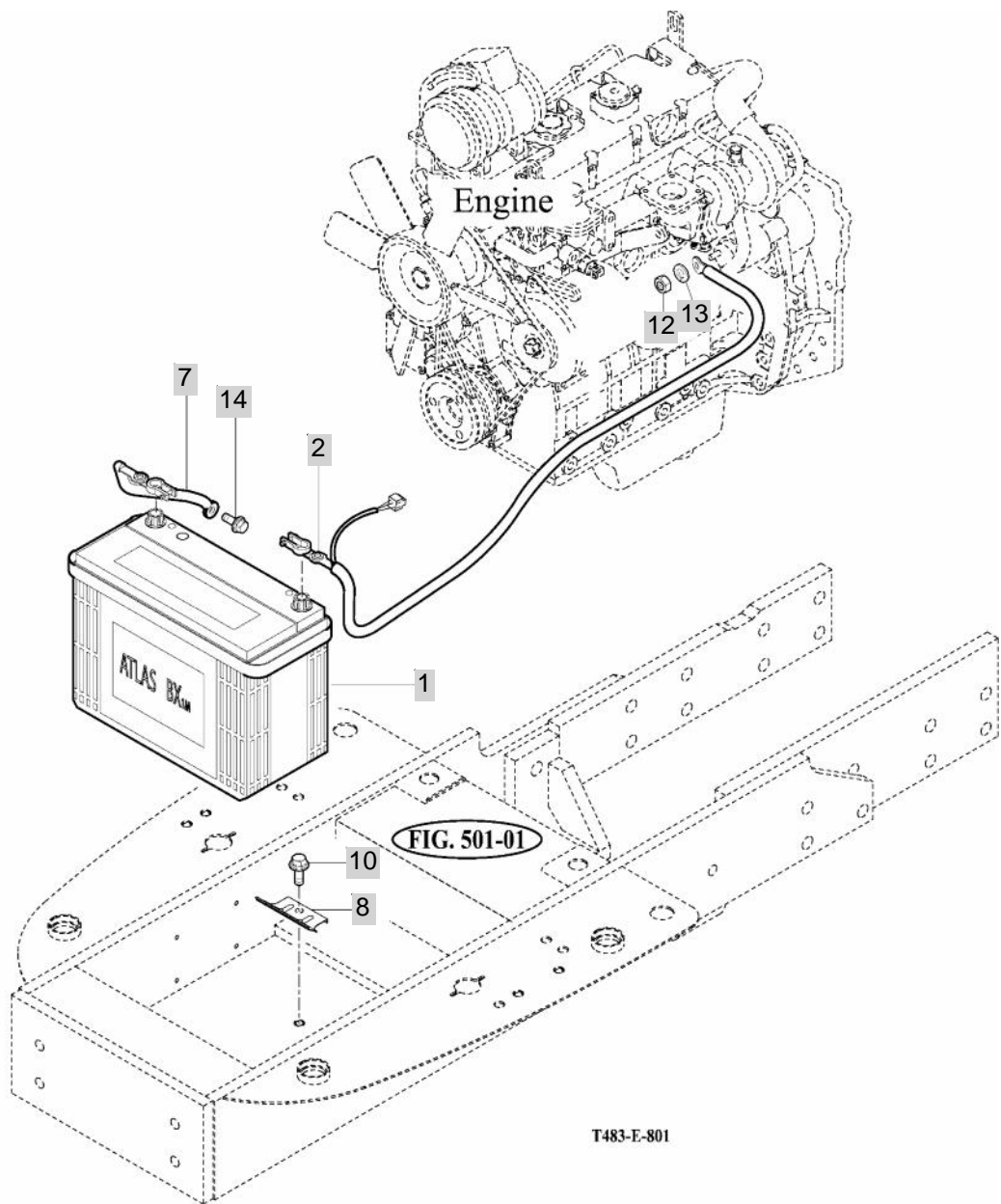
FIG 801

BATTERY & MOUNTING

년/월
Year/Month

2020.07

T503NC



NOTE

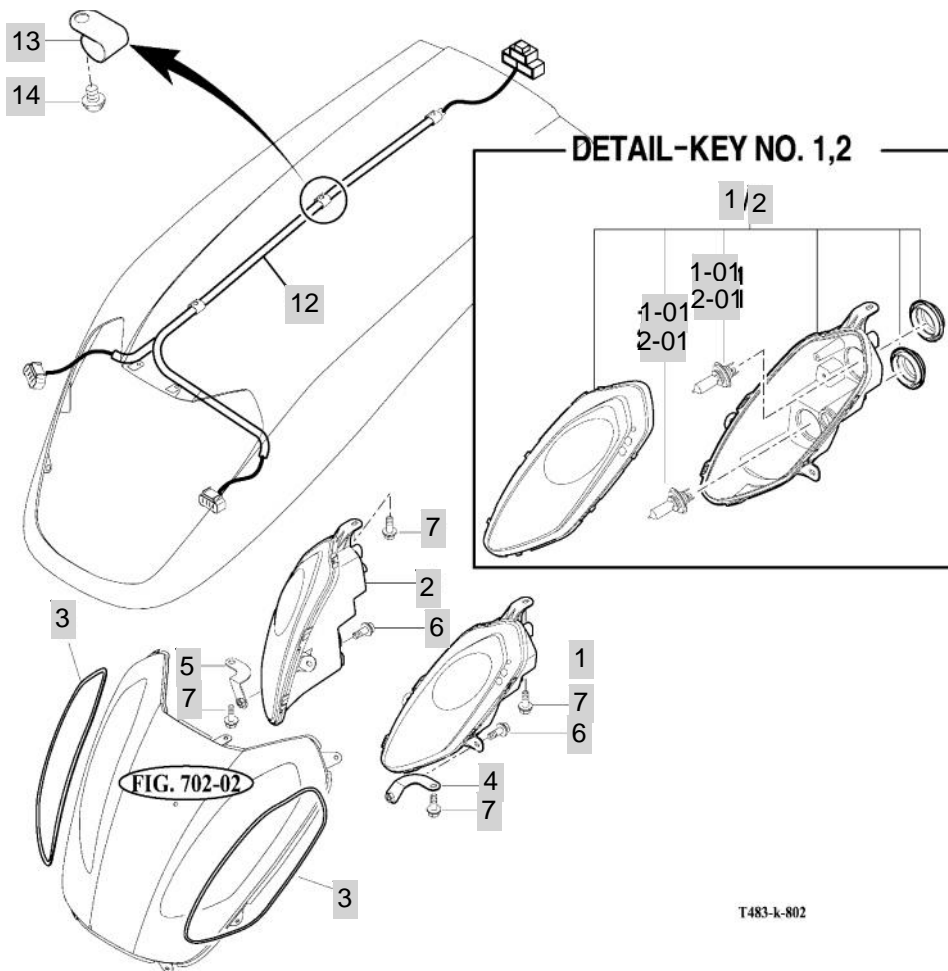
FIG 802

T503NC

LIGHT & BACK LAMP

년/월
Year/Month

2020.07



T483-k-802

NOTE

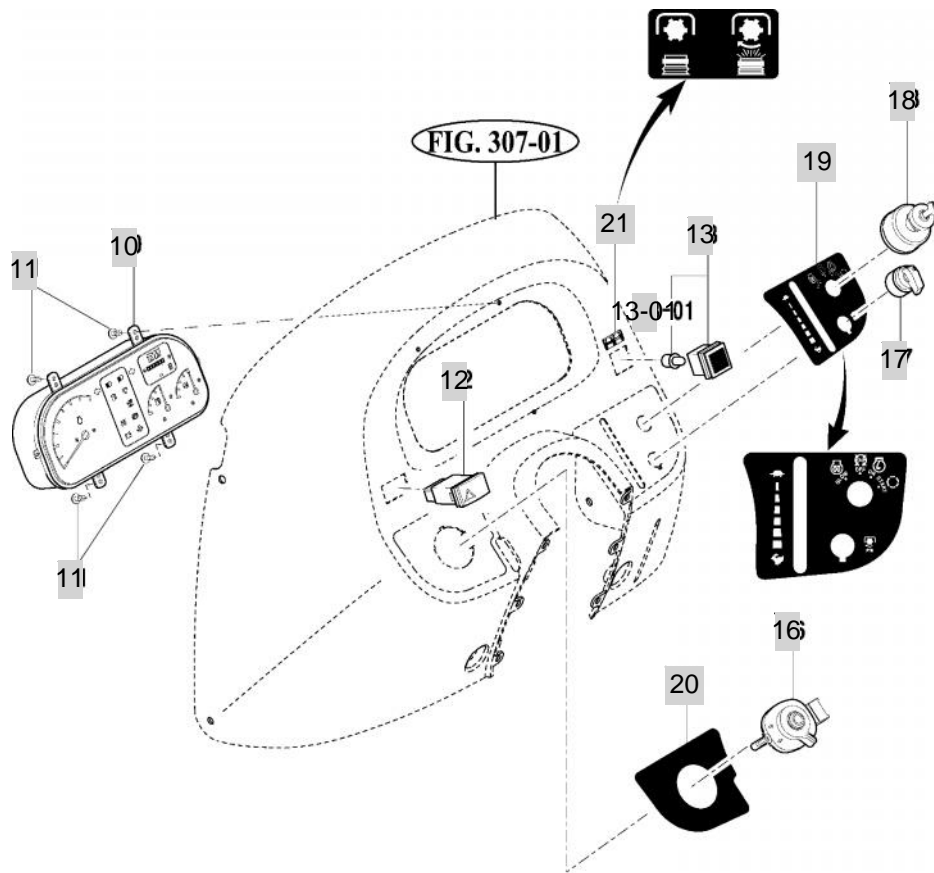
FIG 803

INSTRUMENT PANEL

년/월
Year/Month

T503NC

2020.07



T483-k-803

NOTE

FIG 803		INSTRUMENT PANEL						년/월 Year/Month	
T503NC								2020.07	
KEY NO	PART NO	DESCRIPTION	SPEC	QTY	REPAIR	EFFECTIVE DATE	REMARKS		
803	10	14526602100	PANEL ASSY, METER	284X156X43.9	1				
803	11	V1222604012	SCREW , C/R PAN/SP	M4X12	4				
803	12	14537072500	hazard SWITCH	1X1X1	1	20100827			
803	13	15616743300	SWITCH ASSY , ALTERNATOR		1				
803	13-01	36502702140	LAMP COMP , 12V 3.4W		1				
803	16	13276642201	SWITCH , COMBI	1X1X1	1	20070814			
803	17	15616603100	SWITCH SET , ROTARY	3.2X3.9X25	0	20060425			
803	18	14527078701	SWITCH SET,KEY	1X1X1	1				
803	19	12417078530	LABEL , RH/KEY	T=0.38	1				
803	20	14527078541	LABEL,LH/COMB	T=0.38	1				
803	21	14527078550	LABEL,PTO	T=0.38	1				
NOTE									

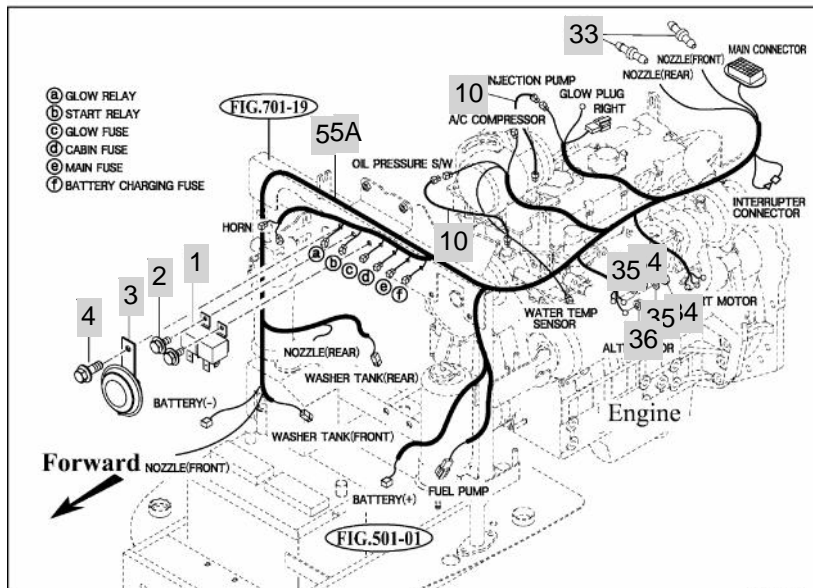
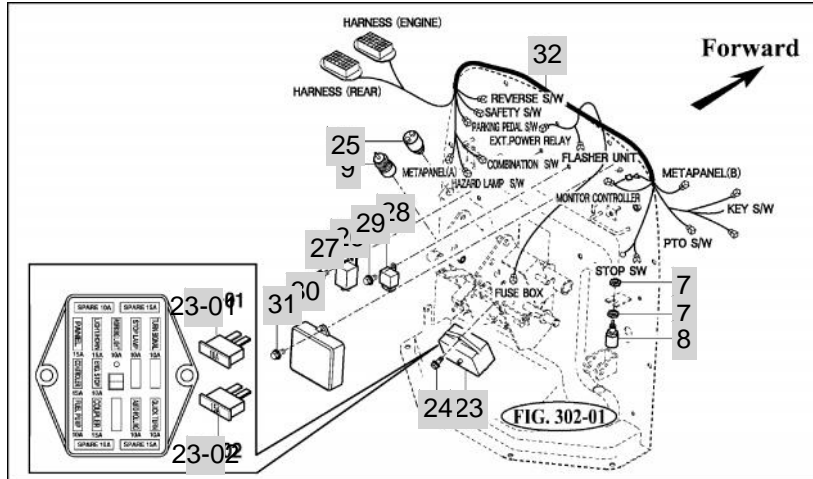
FIG 804

ELECTRIC SYSTEM(1)

년/월
Year/Month

T503NC

2020.07



T553-E-804

NOTE

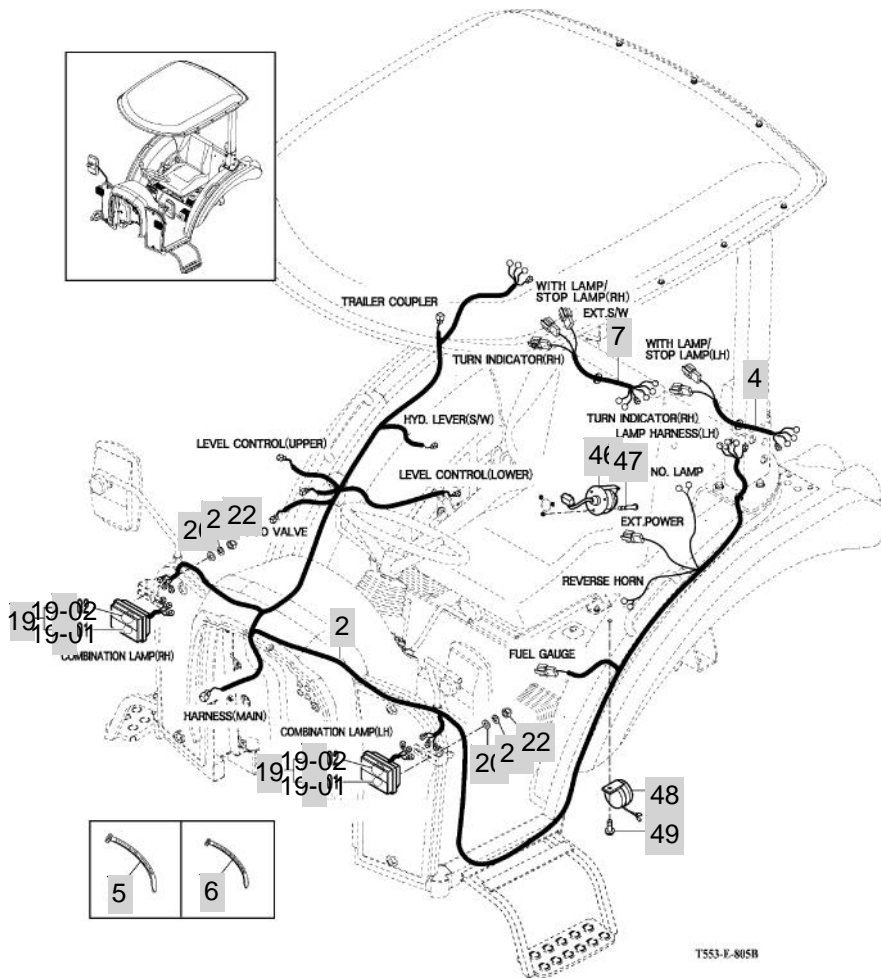
FIG 805B

ELECTRIC SYSTEM(2)

년/월
Year/Month

T503NC

2020.07



NOTE

9. WEIGHT, LABEL & TOOLS PART NO. T503NC-E-C9

FIG 901 TOOL & ACCESSORY	284
FIG 902 WEIGHT	286
FIG 903A LABEL	288
FIG 903B LABEL	290

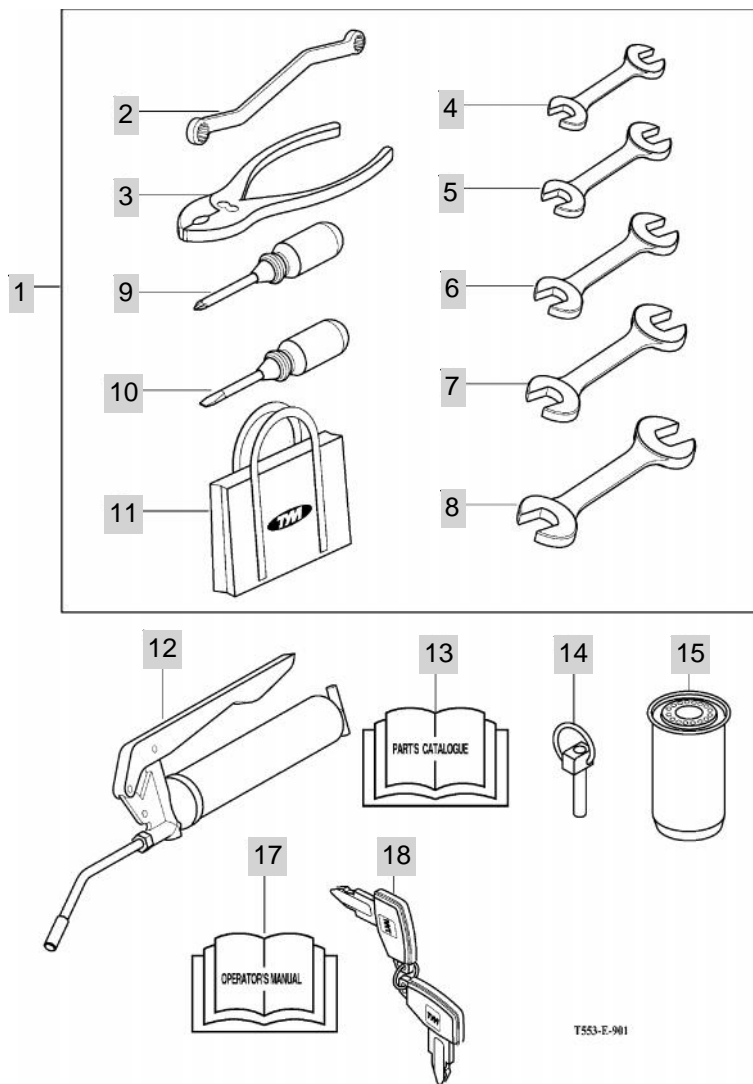
FIG 901

T503NC

TOOL & ACCESSORY

년/월
Year/Month

2020.07



T553-E-901

NOTE

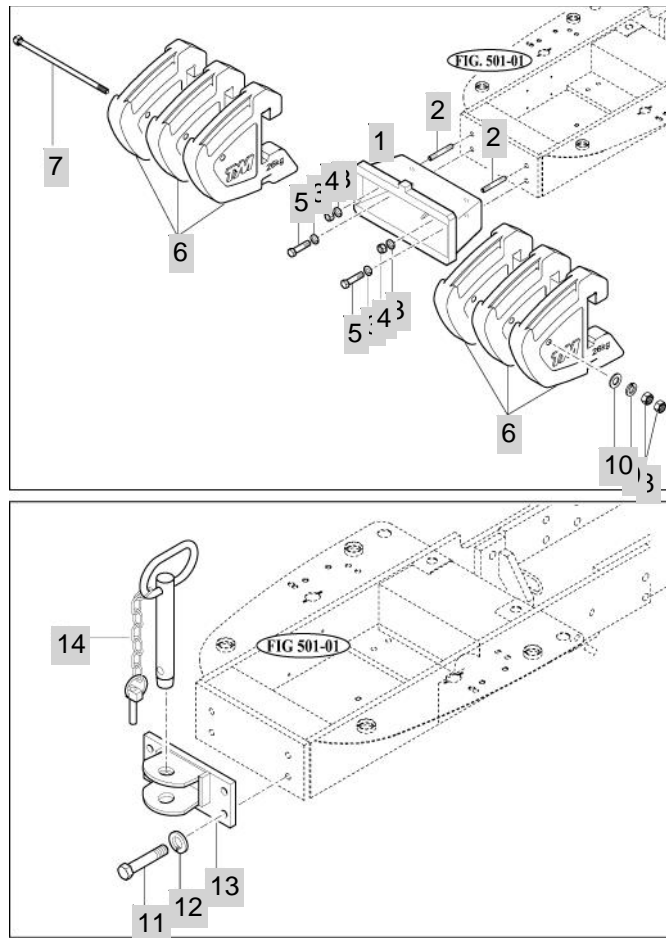
FIG 902

T503NC

WEIGHT

년/월
Year/Month

2020.07



T553-E-902

NOTE

FIG 902 T503NC	WEIGHT						년/월 Year/Month
							2020.07

KEY NO	PART NO	DESCRIPTION	SPEC	QTY	REPAIR	EFFECTIVE DATE	REMARKS
902	1	14529400011GB	WEIGHT , BUFFER				
902	2	V2523614030	BOLT , STUD/3			20080701	
902	3	V4011600140	WASHER , SPRING			20080714	
902	4	V3043600140	NUT , HEX/2			20080701	
902	5	V2013614040	BOLT , HEX			20080701	
902	6	14529294001GB	WEIGHT , 28KG				
902	7	15189609600	BOLT , WEIGHT/M14			20111227	
902	8	V3043600140	NUT , HEX/2			20080701	
902	9	V4011600140	WASHER , SPRING			20080714	
902	10	V4111600140	WASHER , PLAIN			20071001	
902	11	V2013614040	BOLT , HEX			20080701	
902	12	V4011600140	WASHER , SPRING			20080714	
902	13	15184073200	TOWING HOOK COMP				
902	14	13603063000	PIN ASSY				
NOTE							

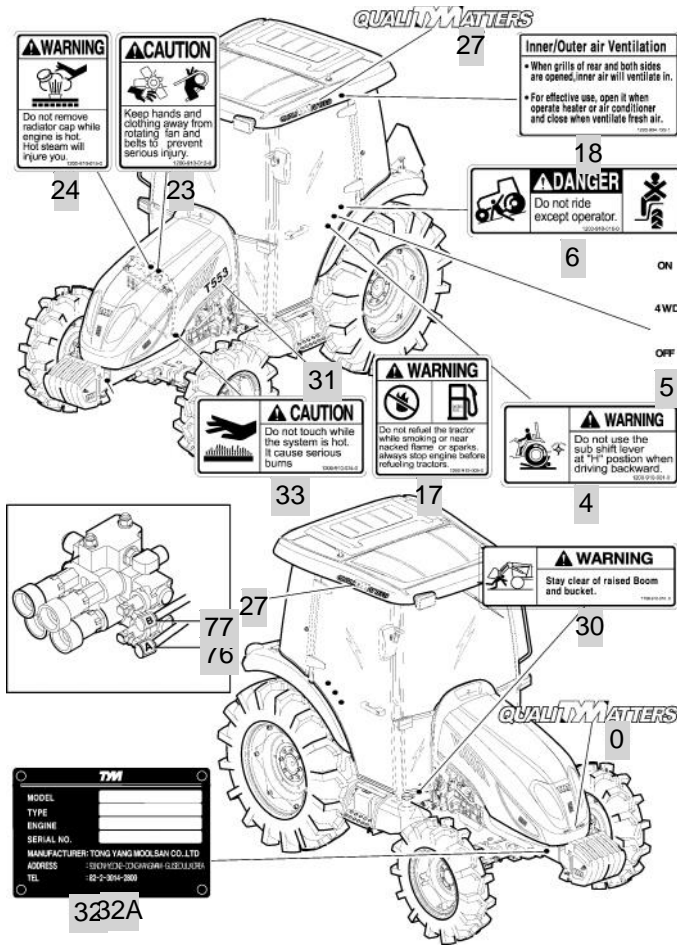
FIG 903A

LABEL

년/월
Year/Month

T503NC

2020.07



NOTE

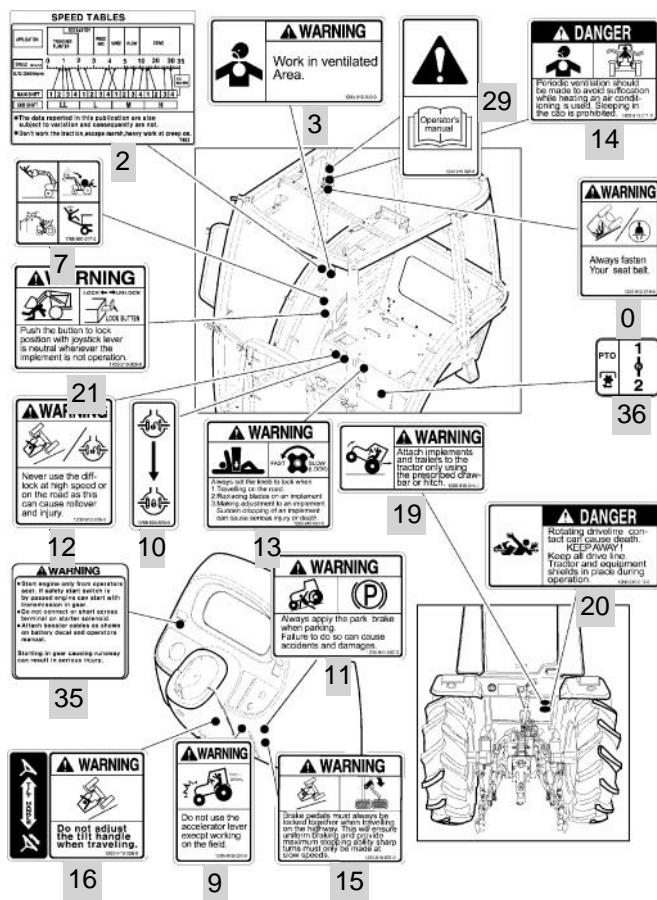
FIG 903B

T503NC

LABEL

년/월
Year/Month

2020.07



NOTE

