

T394ST

Parts Catalog

목 차

1. ENGINE PART NO. T394ST-C1

FIG 101 CYLINDER BLOCK	7
FIG 102 GEAR HOUSING	9
FIG 103 FLYWHEEL HOUSING & OIL SUMP	11
FIG 104 CYLINDER HEAD & BONNET	13
FIG 105 SUCTION MANIFOLD	16
FIG 106 EXHAUST MANIFOLD	18
FIG 107 DIESEL PARTICULATE FILTER(DPF)	20
FIG 108 CAMSHAFT & DRIVING GEAR	22
FIG 109 CRANKSHAFT & PISTON	24
FIG 110 LUB OIL SYSTEM	26
FIG 111 COOLING WATER SYSTEM	28
FIG 112 FUEL SUPPLY PUMP	30
FIG 113 FUEL INJECTION VALVE	32
FIG 114 FUEL PIPE	34
FIG 115 STARTER MOTOR	36
FIG 117 ELECTRONIC CONTROL UNIT(ECU)	38
FIG 118 ELECTRIC PARTS	40

2. ENGINE ACCESSORIES & CONTROL PART NO. T394ST-C2

FIG 201 AIR CLEANER	43
FIG 202 RADIATOR	45
FIG 203 MUFFLER	47
FIG 204 FUEL TANK & HOSE	49
FIG 205 ACCELERATOR	51

3. CLUTCH,BRAKE,STEERING PART NO. T394ST-C3

FIG 301 CLUTCH PEDAL	54
FIG 302 FLYWHEEL & CLUTCH	56
FIG 303 BRAKE PEDAL	58

FIG 304 BRAKE	60
FIG 305 FRONT WHEEL MOUNTING	62
FIG 306 REAR WHEEL MOUNTING	64
FIG 307 STEERING WHEEL & DASH COVER	66
FIG 308 STEERING VALVE & PARKING	68
FIG 309 STEERING CYLINDER	70

4. TRANSMISSION & REAR AXLE PART NO. T394ST-C4

FIG 401 TRANSMISSION FRONT CASE	73
FIG 402 INPUT METAL	75
FIG 403 INPUT GEAR	77
FIG 404 4WD DRIVE GEAR	79
FIG 405 MAIN CHANGE GEARS & REVERSE GEARS	81
FIG 406 SUB CHANGE GEARS	83
FIG 407 PINION GEARS	85
FIG 408 P T O DRIVE SHAFT	87
FIG 409 P T O CHANGE GEARS	89
FIG 410 DIFF LOCK	91
FIG 411 TRANSMISSION REAR CASE	93
FIG 412 REAR AXLE HOUSINGS(1)	95
FIG 413 REAR AXLE HOUSINGS(2)	97
FIG 414 MAIN CHANGE LEVER	99
FIG 415 SUB CHANGE LEVER	101
FIG 416 REVERSE LINK	103
FIG 417 REVERSE CHANGE LEVER	105
FIG 418 4WD CHANGE LEVER	107

5. FRONT AXLE PART NO. T394ST-C5

FIG 501 FRONT AXLE BRACKET	110
FIG 502 FRONT DIFFERENTIAL GEARS	112
FIG 503 FRONT AXLE HOUSING	114
FIG 504 FRONT GEAR CASE (1)	116
FIG 505 FRONT GEAR CASE (2)	118

6. HYDRAULICS & 3-POINT LINK PART NO. T394ST-C6

FIG 601 GEAR PUMP	121
-------------------	-----

FIG 602 CYLINDER CASE	123
FIG 603 LIFT ARM	125
FIG 604 CYLINDER	127
FIG 605 POSITION LINK(1)	129
FIG 606 POSITION LINK(2)	131
FIG 607 CONTROL VALVE	133
FIG 608 POSITION LEVER	135
FIG 609 HYDRAULIC PIPE(1)	137
FIG 610 HYDRAULIC PIPE(2)	139
FIG 611 EXTERIOR HYD VALVE	141
FIG 611-2 VALVE KIT	143
FIG 612 3-POINT LINK	145
FIG 613 HITCH & COVER	147

7. SHEET METAL & CABIN PART NO. T394ST-C7

FIG 701 HOOD (1)	150
FIG 702 HOOD (2)	153
FIG 704 FRONT & REAR MOUNTING	155
FIG 705 DASHPANEL	157
FIG 706 SEAT & MAT	159
FIG 707 DOOR	161
FIG 707-2 DOOR	164
FIG 708 FRONT GLASS	166
FIG 709 REAR GLASS	168
FIG 710 SUB FENDER & COVER	170
FIG 711 MIRROR	172
FIG 712 HEATER & AIR-CON	174
FIG 712-2 HEATER & AIR-CON	176
FIG 713 FENDER COVER	178
FIG 714 ROOF	180
FIG 715 CABIN INTERIOR	182

8. ELECTRICALS & HARNESS PART NO. T394ST-C8

FIG 801 BATTERY & MOUNTING	185
FIG 802 LIGHTS	187
FIG 803 INSTRUMENT PANEL	189

FIG 804 ELECTRIC SYSTEM	191
FIG 805 HARNESS (1)	193
FIG 806 HARNESS (2)	195

9. WEIGHT,LABEL,TOOLS PART NO. T394ST-C9

FIG 901 TOOL & ACCESSORY	198
FIG 902 LABEL	200
FIG 902-2 LABEL	202
FIG 903 WEIGHT	204

1. ENGINE PART NO. T394ST-C1

FIG 101 CYLINDER BLOCK	7
FIG 102 GEAR HOUSING	9
FIG 103 FLYWHEEL HOUSING & OIL SUMP	11
FIG 104 CYLINDER HEAD & BONNET	13
FIG 105 SUCTION MANIFOLD	16
FIG 106 EXHAUST MANIFOLD	18
FIG 107 DIESEL PARTICULATE FILTER(DPF)	20
FIG 108 CAMSHAFT & DRIVING GEAR	22
FIG 109 CRANKSHAFT & PISTON	24
FIG 110 LUB OIL SYSTEM	26
FIG 111 COOLING WATER SYSTEM	28
FIG 112 FUEL SUPPLY PUMP	30
FIG 113 FUEL INJECTION VALVE	32
FIG 114 FUEL PIPE	34
FIG 115 STARTER MOTOR	36
FIG 117 ELECTRONIC CONTROL UNIT(ECU)	38
FIG 118 ELECTRIC PARTS	40

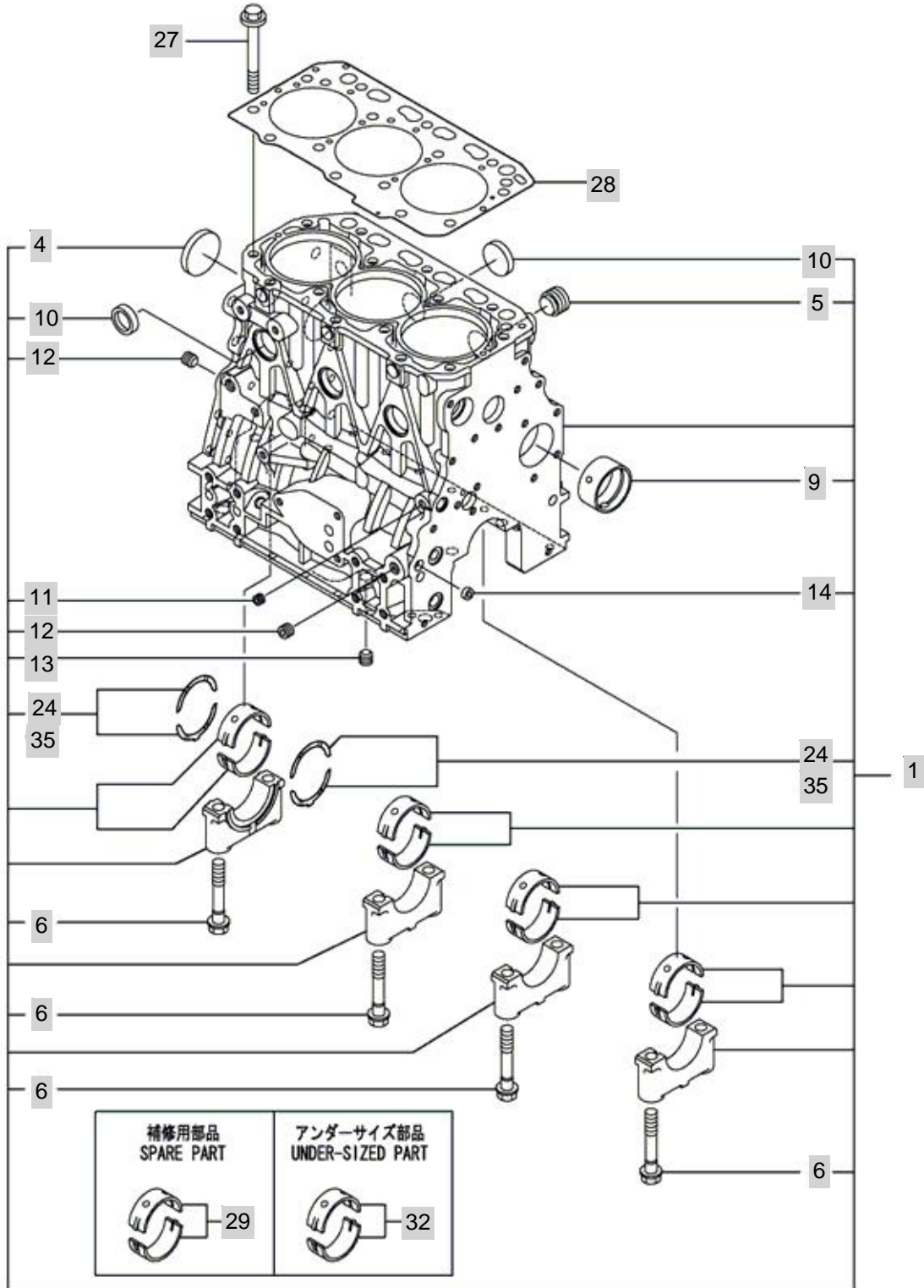
FIG 101

CYLINDER BLOCK

년/월
Year/Month

2020.07

T394ST



NOTE

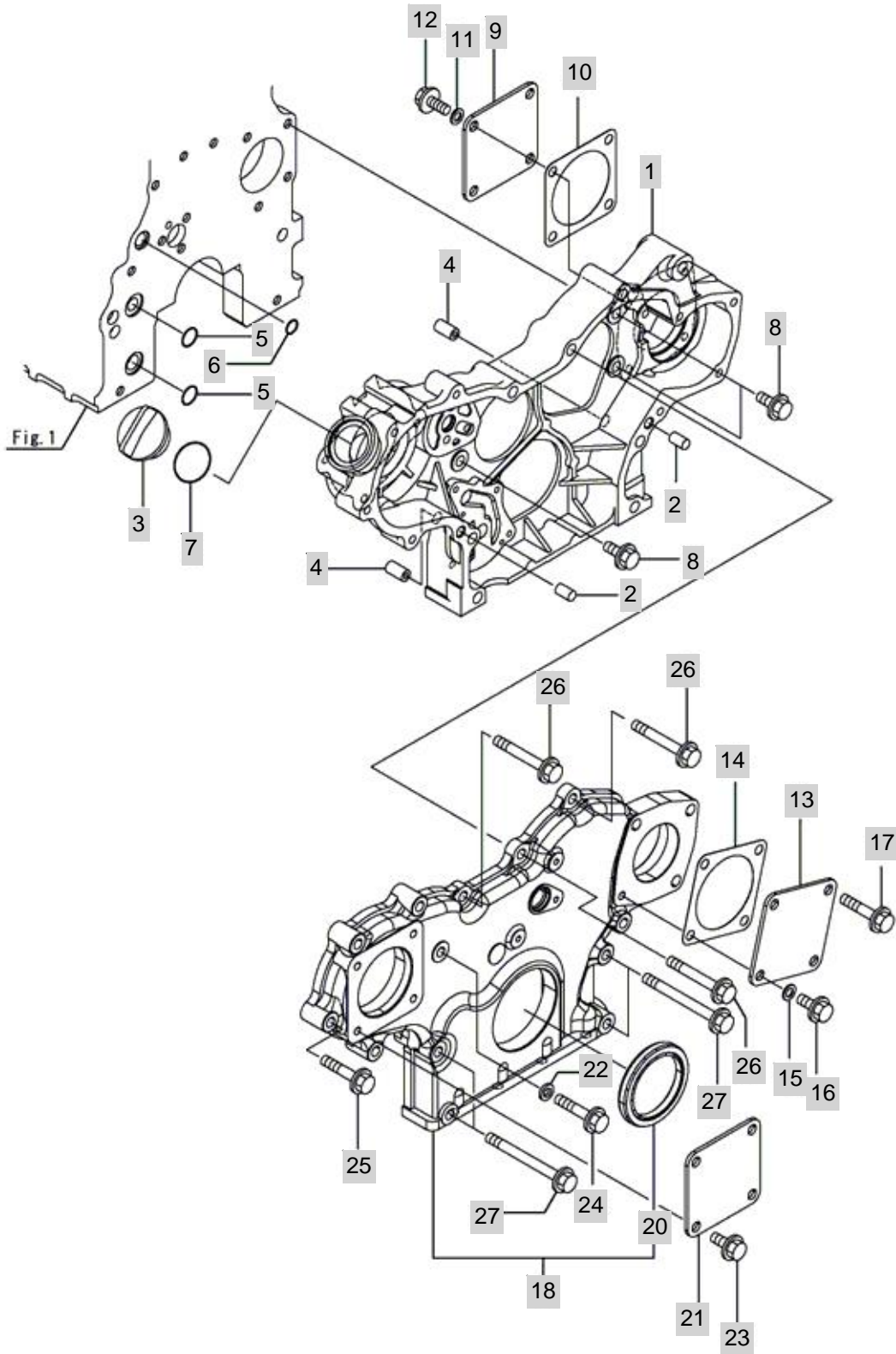
FIG 102

GEAR HOUSING

년/월
Year/Month

2020.07

T394ST



NOTE

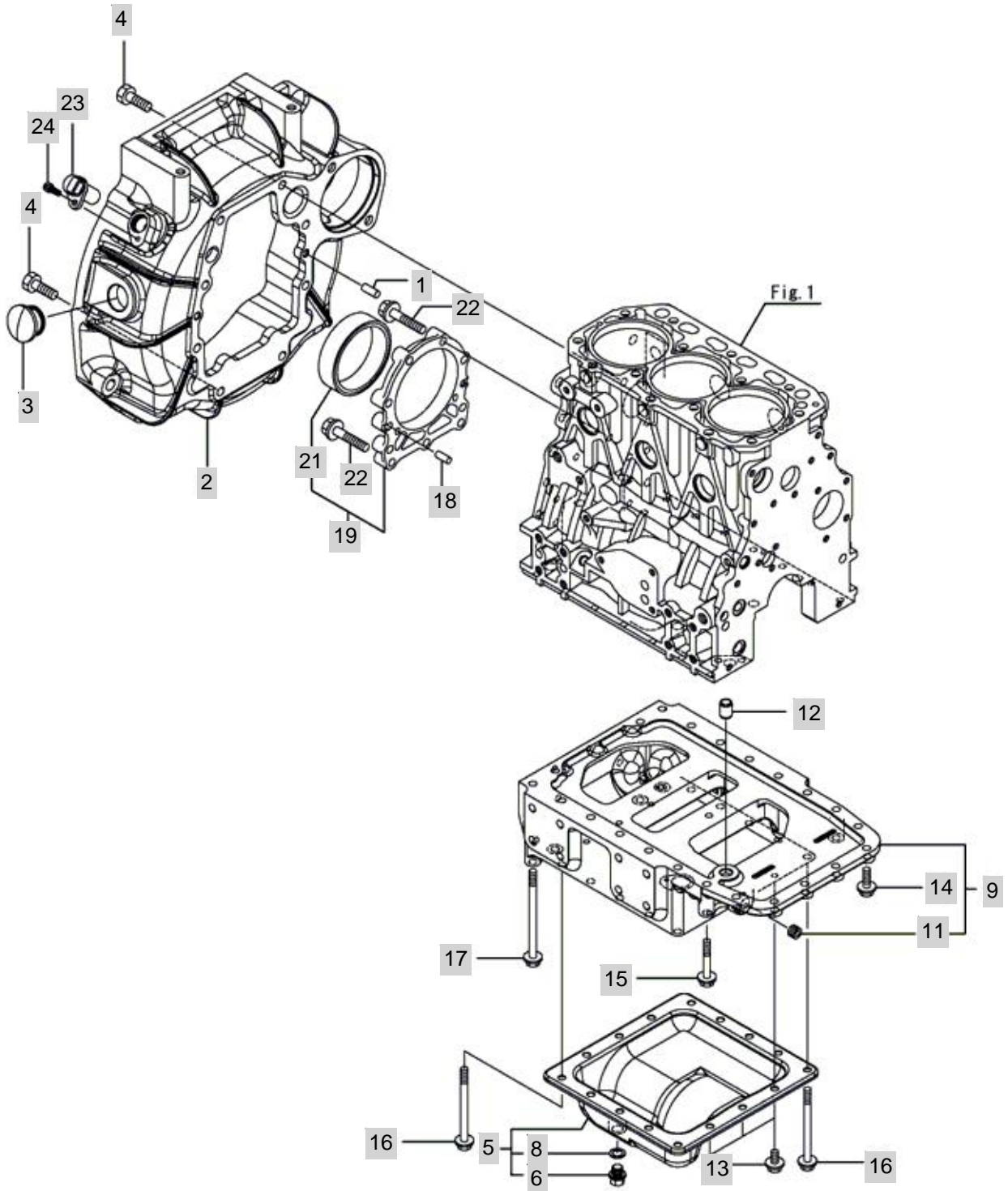
FIG 103

T394ST

FLYWHEEL HOUSING & OIL SUMP

년/월
Year/Month

2020.07



NOTE

FIG 103 T394ST	FLYWHEEL HOUSING & OIL SUMP					년/월 Year/Month	
						2020.07	

KEY NO		PART NO	DESCRIPTION	SPEC	QTY	REPAIR	EFFECTIVE DATE	REMARKS
103	1	129100-01580	PIN, PARALLEL 8X16		2			
103	2	129A26-01600	HOUSING, FLYWHEEL		1			
103	3	119620-01750	CAP		1			
103	4	26206-100252	BOLT, M10X 25 PLATED		8			
103	5	129052-01551	COVER ASSY, OIL SUMP		1			
103	6	129054-01640	PLUG, DRAIN 12		1			
103	8	22190-120002	WASHER, SEAL 12		1			
103	9	129052-01692	SUMP ASSY, OIL		1			
103	11	124160-01910	PLUG PT1/4		1			
103	12	129555-01750	PIPE, DOWEL 14X19		1			
103	13	26106-080122	BOLT, M8X 12 PLATED		6			
103	14	26106-080252	BOLT, M8X 25 PLATED		6			
103	15	26106-080502	BOLT, M8X 50 PLATED		2			
103	16	26106-081002	BOLT, M8X100 PLATED		10			
103	17	26106-081202	BOLT, M8X120 PLATED		4			
103	18	129100-01580	PIN, PARALLEL 8X16		2			
103	19	129100-01640	CASE ASSY, OIL SEAL		1			
103	21	129795-01780	SEAL, OIL		1			
103	22	129486-01670	BOLT, M8X30		9			
103	23	129A00-21710	SENSOR, FLYWHEEL REV		1			
103	24	26450-060162	BOLT, M6X 16		1			

NOTE								
------	--	--	--	--	--	--	--	--

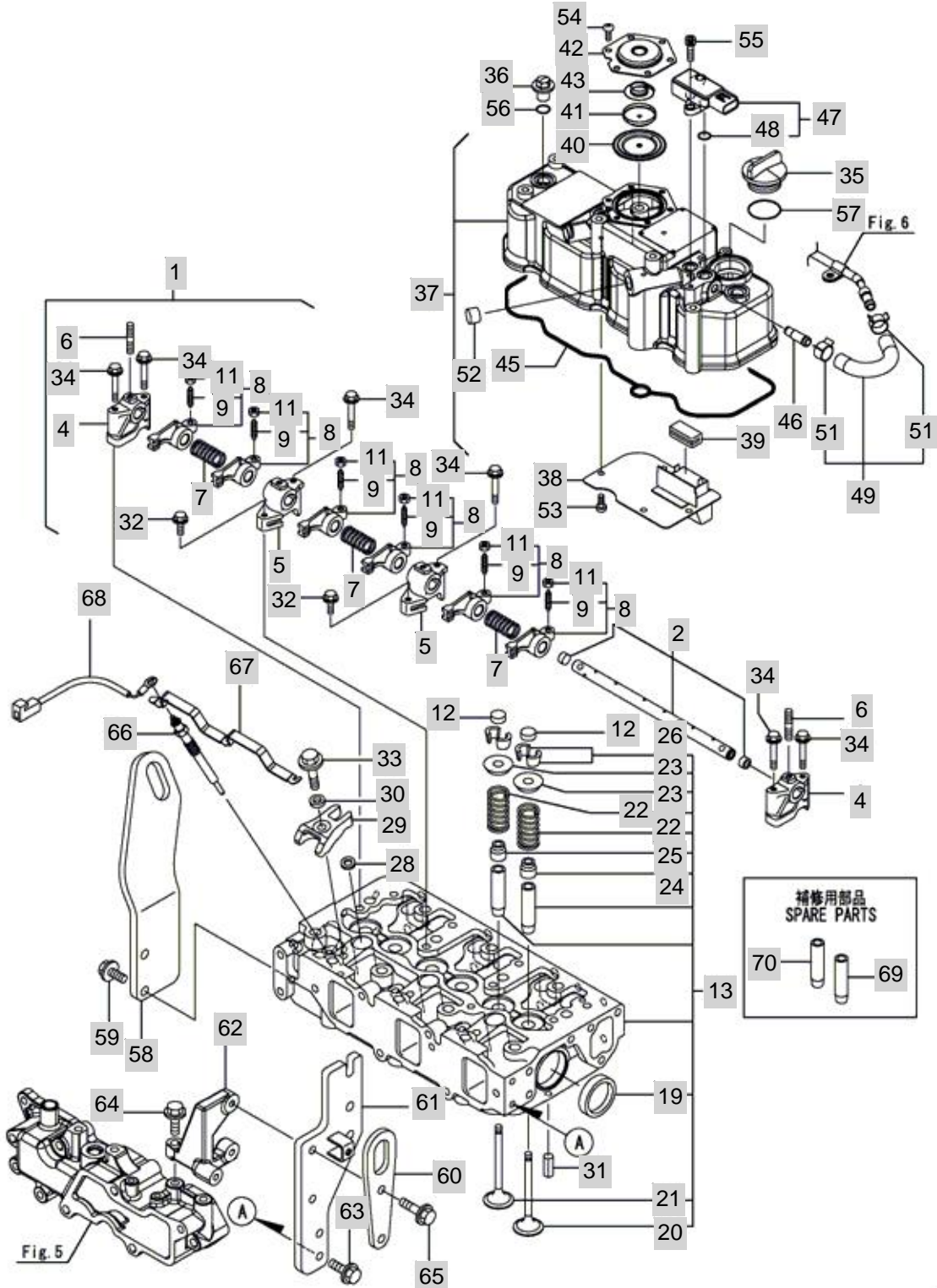
FIG 104

CYLINDER HEAD & BONNET

년/월
Year/Month

T394ST

2020.07



NOTE

FIG 104 T394ST		CYLINDER HEAD & BONNET					년/월 Year/Month	
							2020.07	
KEY NO	PART NO	DESCRIPTION	SPEC	QTY	REPAIR	EFFECTIVE DATE	REMARKS	
104	1	129004-11241	SHAFT ASSY, ROCKER		1			
104	2	129004-11251	SHAFT, ROCKER ARM		1			
104	4	119802-11260	SUPPORT, ROCKER ARM		2			
104	5	119802-11270	SUPPORT, ROCKER ARM		2			
104	6	119802-11280	BOLT, STUD		3			
104	7	129150-11280	SPRING, ROCKER		3			
104	8	129004-11650	ARM ASSY, ROCKER		6			
104	9	129150-11230	SCREW, VALVE ADJUST		6			
104	11	129150-11750	NUT, M8		6			
104	12	129150-11370	CAP, VALVE		6			
104	13	129A00-11710	HEAD ASSY, CYLINDER		1			
104	19	27241-400000	PLUG, 40		2			
104	20	129005-11100	VALVE, SUCTION		3			
104	21	129100-11112	VALVE, EXHAUST		3			
104	22	129795-11120	SPRING, VALVE		6			
104	23	129795-11180	RETAINER, SPRING		6			
104	24	124460-11340	SEAL, VALVE STEM		3			
104	25	129A00-11340	SEAL, VALVE STEM		3			
104	26	27310-080001	COTTER, 8		6			
104	28	129978-11871	GASKET,INJECTOR		3			
104	29	129A00-11900	RETAINER, INJECTOR		3			
104	30	120270-54410	WASHER, INJECTOR		3			
104	31	22351-060012	PIN, SPRING 6.0X12		2			
104	32	26106-080252	BOLT, M8X 25 PLATED		2			
104	33	26106-080352	BOLT, M8X 35 PLATED		3			
104	34	26106-080502	BOLT, M8X 50 PLATED		6			
104	35	124160-01751	CAP, FILLER		1			
104	36	124160-11360	KNOB		3			
104	37	129A00-11360	BONNET ASSY		1			
104	38	129004-03010	PLATE, BAFFLE		1			
104	39	129150-03070	BAFFLE, BREATHER		1			
104	40	123907-03100	DIAPHRAGM		1			
104	41	123907-03110	PLATE		1			
104	42	123907-03120	PLATE, BREATHER		1			
104	43	123907-03140	SPRING, DIAPHRAGM		1			
104	45	129A00-11310	GASKET, BONNET		1			
104	46	129A00-11330	JOINT		1			
104	47	129978-12700	SENSOR,PRESSURE		1			
104	48	129A00-12780	O-RING,PRES SENSOR		2			
104	49	129A00-13360	HOSE ASSY, PRES EXH		1			
104	51	129A00-13380	CLIP, HOSE 14		2			
104	52	119640-61400	PLUG		1			
104	53	22857-500100	SCREW, 5X10		4			
104	54	22857-500100	SCREW, 5X10		6			
104	55	26450-060162	BOLT, M6X 16		2			
NOTE								

FIG 104		CYLINDER HEAD & BONNET						년/월 Year/Month			
								T394ST		2020.07	
KEY NO		PART NO	DESCRIPTION	SPEC	QTY	REPAIR	EFFECTIVE DATE	REMARKS			
104	56	24311-000120	O-RING, 1AP12.0		3						
104	57	24311-000320	O-RING, 1AP32.0		1						
104	58	129A00-07900	LIFTER, ENGINE		1						
104	59	26106-080202	BOLT M 8X20 PLATED	8X20	2	A					
104	60	129A01-07900	LIFTER, ENGINE		1						
104	61	129A01-16810	STAY,DPF		1						
104	62	129A23-17380	BRACKET, DPF		1						
104	63	26106-080202	BOLT M 8X20 PLATED	8X20	2	A					
104	64	26106-080252	BOLT, M8X 25 PLATED		1						
104	65	26106-080302	BOLT, M8X 30 PLATED		2						
104	66	129008-77800	PLUG, GLOW		3						
104	67	129A00-77820	CONNECTOR, GLOW PLUG		1						
104	68	119803-77830	HARNESS, WIRE		1						
104	69	120130-11860	GUIDE, VALVE		3						
104	70	129150-11810	GUIDE, VALVE		3						
NOTE											

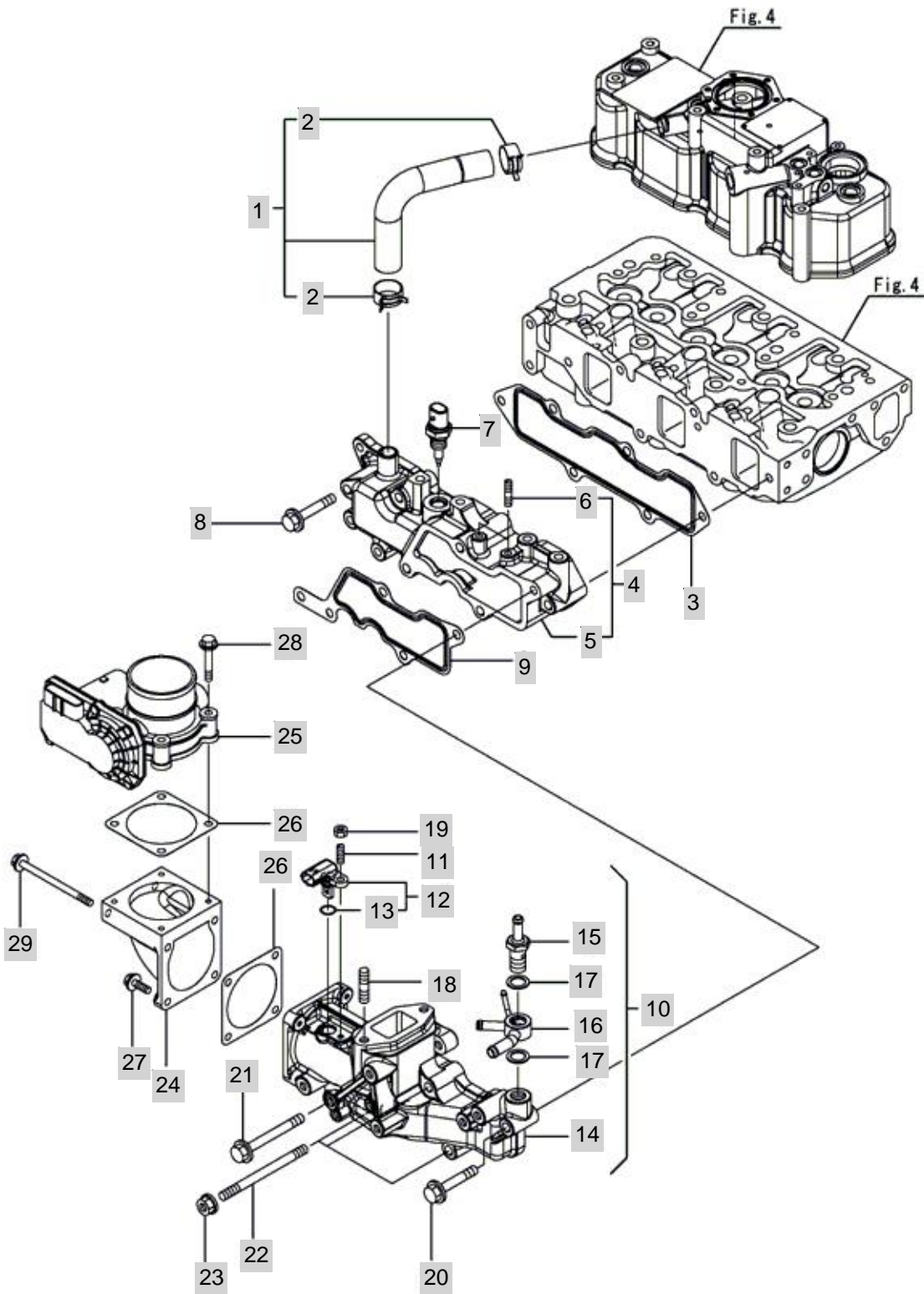
FIG 105

SUCTION MANIFOLD

년/월
Year/Month

2020.07

T394ST



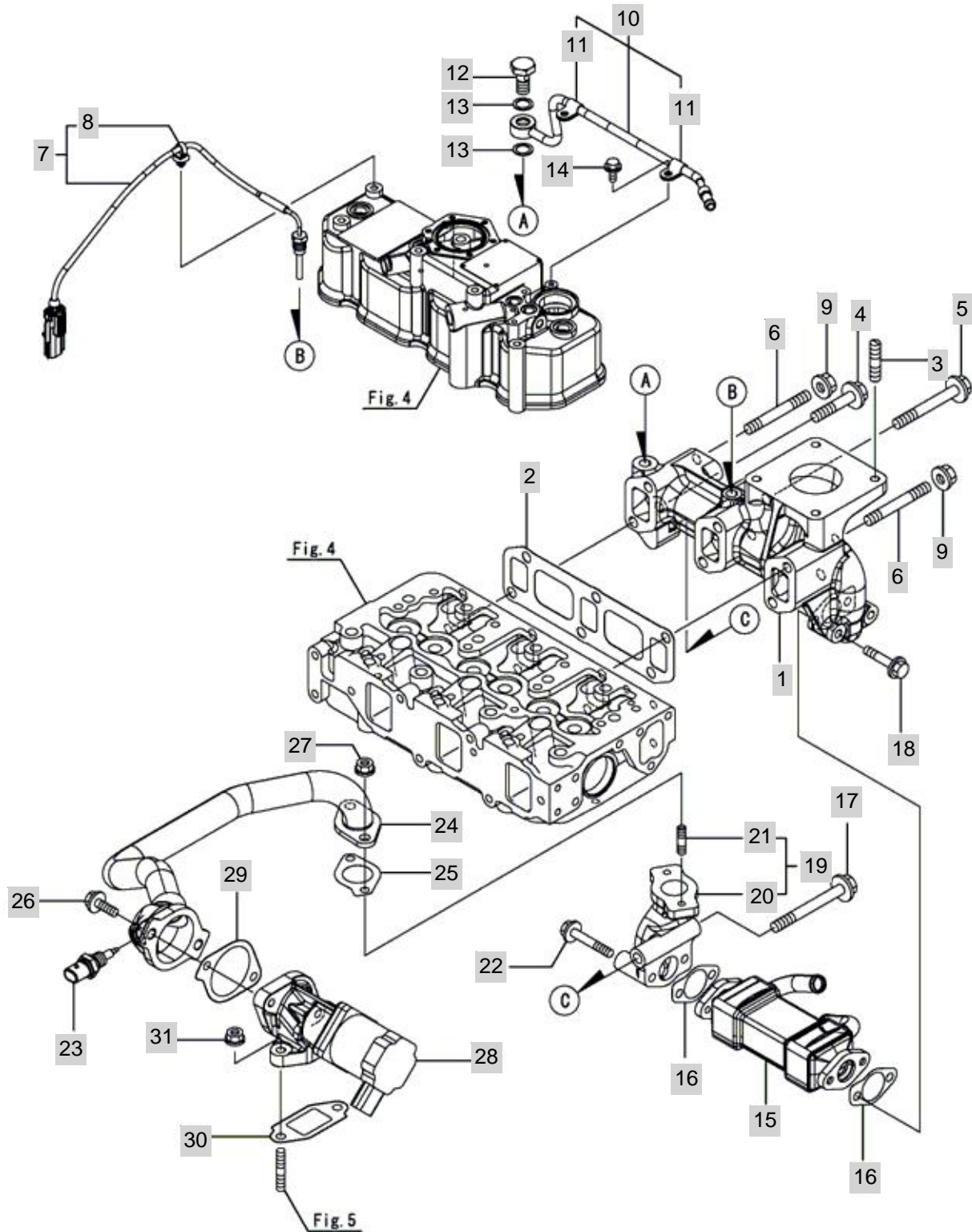
NOTE

FIG 106

EXHAUST MANIFOLD

년/월
Year/Month

2020.07



NOTE

FIG 106	EXHAUST MANIFOLD						년/월 Year/Month
T394ST							2020.07

KEY NO		PART NO	DESCRIPTION	SPEC	QTY	REPAIR	EFFECTIVE DATE	REMARKS
106	1	129A00-13100	MANIFOLD, EXHAUST		1			
106	2	129A00-13110	GASKET, EXH MANIFOLD		1			
106	3	123900-13130	STUD, M10X22		4			
106	4	129A01-13601	BOLT, M10X50 10.9T		1			
106	5	129F01-13630	BOLT, M10X80 10.9T		3			
106	6	129A01-13700	STUD, 10X80		2			
106	7	129A00-13770	SENSOR, EXH TEMP.		1			
106	8	129A00-91200	BAND CLIP		1			
106	9	26306-100002	NUT, M10		2			
106	10	129A00-13300	PIPE ASSY, EXHAUST P		1			
106	11	23297-080061	CLAMP, A8X 6		2			
106	12	129A00-13350	BOLT, PIPE JOINT		1			
106	13	23414-120000	GASKET, 12X1.0		2			
106	14	26106-060122	BOLT, M6X 12 PLATED		2			
106	15	129A00-13400	COOLER, EGR		1			
106	16	129A00-13410	GASKET, EGR COOLER		2			
106	17	129F01-13600	BOLT, M10X90 10.9T		1			
106	18	129E00-13620	BOLT, M8X40 10.9		2			
106	19	129A00-13851	PIPE CMP, EGR OUT		1			
106	20	129A00-13861	PIPE, EGR OUT		1			
106	21	129418-18320	BOLT, STUD M8X20		2			
106	22	26106-080502	BOLT, M8X 50 PLATED		2			
106	23	129A00-13751	SENSOR, EGR GAS TEMP		1			
106	24	129A00-13800	PIPE(EGR CMP		1			
106	25	129927-13810	GASKET		1			
106	26	26106-080252	BOLT, M8X 25 PLATED		2			
106	27	26306-080002	NUT, M8		2			
106	28	129A00-13901	VALVE, EGR		1			
106	29	129A00-13910	GASKET, EGR-V IN		1			
106	30	129A00-13920	GASKET(EGR-V OUT		1			
106	31	26306-080002	NUT, M8		2			
NOTE								

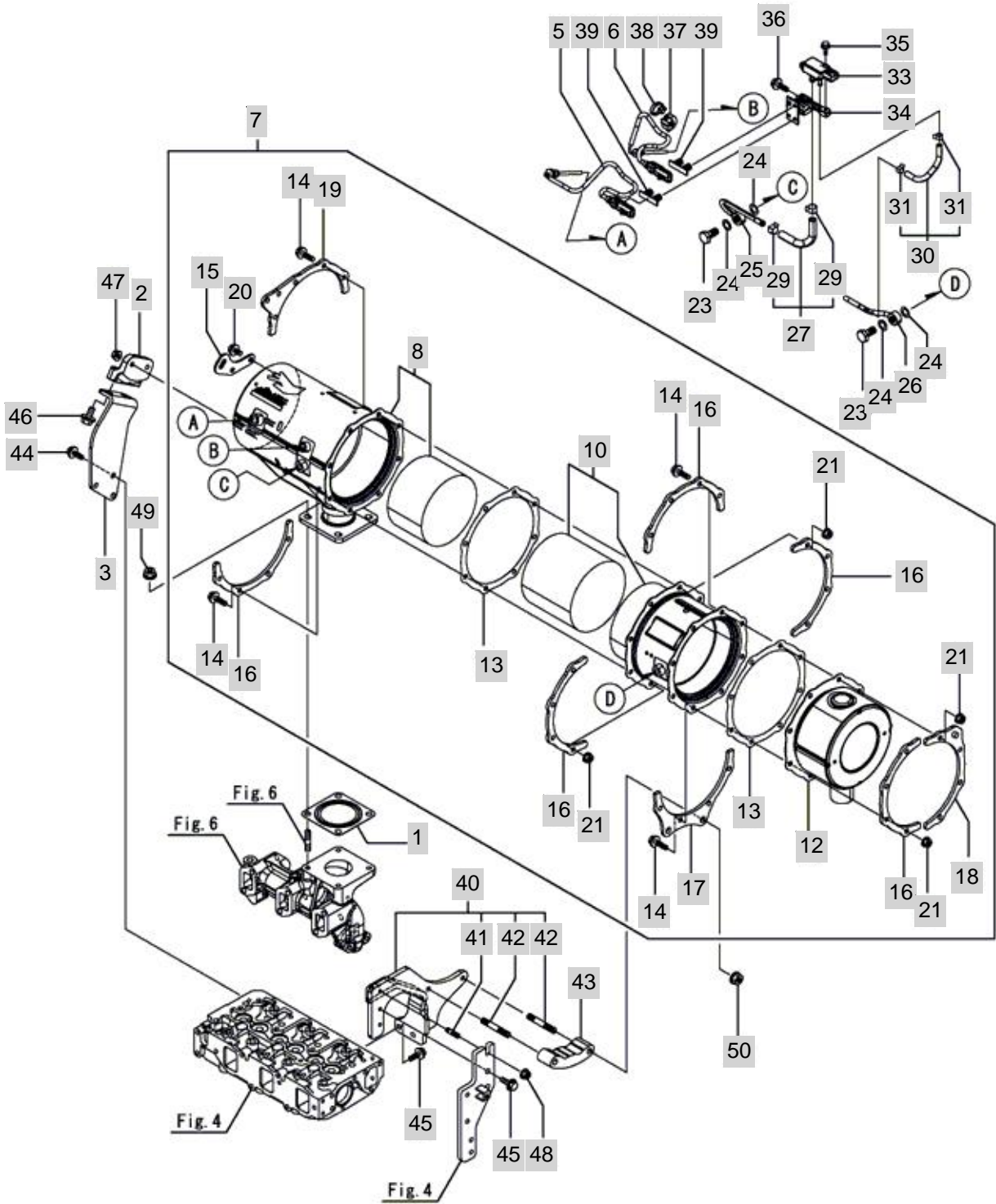
FIG 107

DIESEL PARTICULATE FILTER(DPF)

년/월
Year/Month

T394ST

2020.07



NOTE

FIG 107		DIESEL PARTICULATE FILTER(DPF)					년/월 Year/Month	
T394ST							2020.07	
KEY NO	PART NO	DESCRIPTION	SPEC	QTY	REPAIR	EFFECTIVE DATE	REMARKS	
107	1	128300-13230	GASKET, SILENCER		1			
107	2	129A00-16820	STAY,DPF		1			
107	3	129A00-16830	STAY,DPF		1			
107	5	129C00-13940	SENSOR, EXH.TEMP		1			
107	6	129C00-13950	SENSOR, EXH.TEMP		1			
107	7	129A26-16000	DPF ASSY		1			
107	8	129A00-16210	CASE, DOC		1			
107	10	129A00-16410	CASE, SOOT FILTER		1			
107	12	129A00-16500	SILENCER, DPF		1			
107	13	129A00-16600	GASKET, DPF		2			
107	14	129A00-16610	BOLT, M8X28 10.9T		16			
107	15	129C01-16690	LIFTER, DPF		1			
107	16	129A00-16700	STIFFENER, DPF A		5			
107	17	129A00-16720	STIFFENER, DPF B		1			
107	18	129A00-16740	STIFFENER, DPF C		1			
107	19	129A00-16750	STIFFENER, DPF C		1			
107	20	26106-080142	BOLT, M8X 14 PLATED		2			
107	21	26306-080002	NUT, M8		16			
107	23	129A00-13350	BOLT, PIPE JOINT		2			
107	24	129A00-17311	GASKET,SENSOR		4			
107	25	129A00-17330	PIPE ASSY, SENSOR		1			
107	26	129A00-17360	PIPE ASSY, SENSOR		1			
107	27	129A00-17610	HOSE ASSY,PRES EXH		1			
107	29	129A00-17520	CLIP, HOSE		2			
107	30	129A00-17670	HOSE ASSY,PRES EXH		1			
107	31	129A00-17570	CLIP, HOSE		2			
107	33	129978-17700	SENSOR,PRESSURE		1			
107	34	129A00-17780	BRACKET, SENSOR		1			
107	35	26106-060162	BOLT, M6X 16 PLATED		2			
107	36	26106-080202	BOLT M 8X20 PLATED	8X20	2	A		
107	37	129A00-91200	BAND CLIP		1			
107	38	129C00-91200	BAND		1			
107	39	129A00-91430	CLIP, CONNECTOR		2			
107	40	129A26-17360	STAY ASSY, DPF		1			
107	41	26216-080202	STUD, M8X 20		1			
107	42	26216-100552	STUD, M10X 55		2			
107	43	129A23-17370	SPACER, DPF		1			
107	44	26106-080162	BOLT, M8X 16 PLATED		3			
107	45	26106-080202	BOLT M 8X20 PLATED	8X20	4	A		
107	46	26106-100202	BOLT, M10X 20 PLATED		2			
107	47	26306-080002	NUT, M8		2			
107	48	26306-080002	NUT, M8		1			
107	49	26306-100002	NUT, M10		4			
107	50	26306-100002	NUT, M10		2			
NOTE								

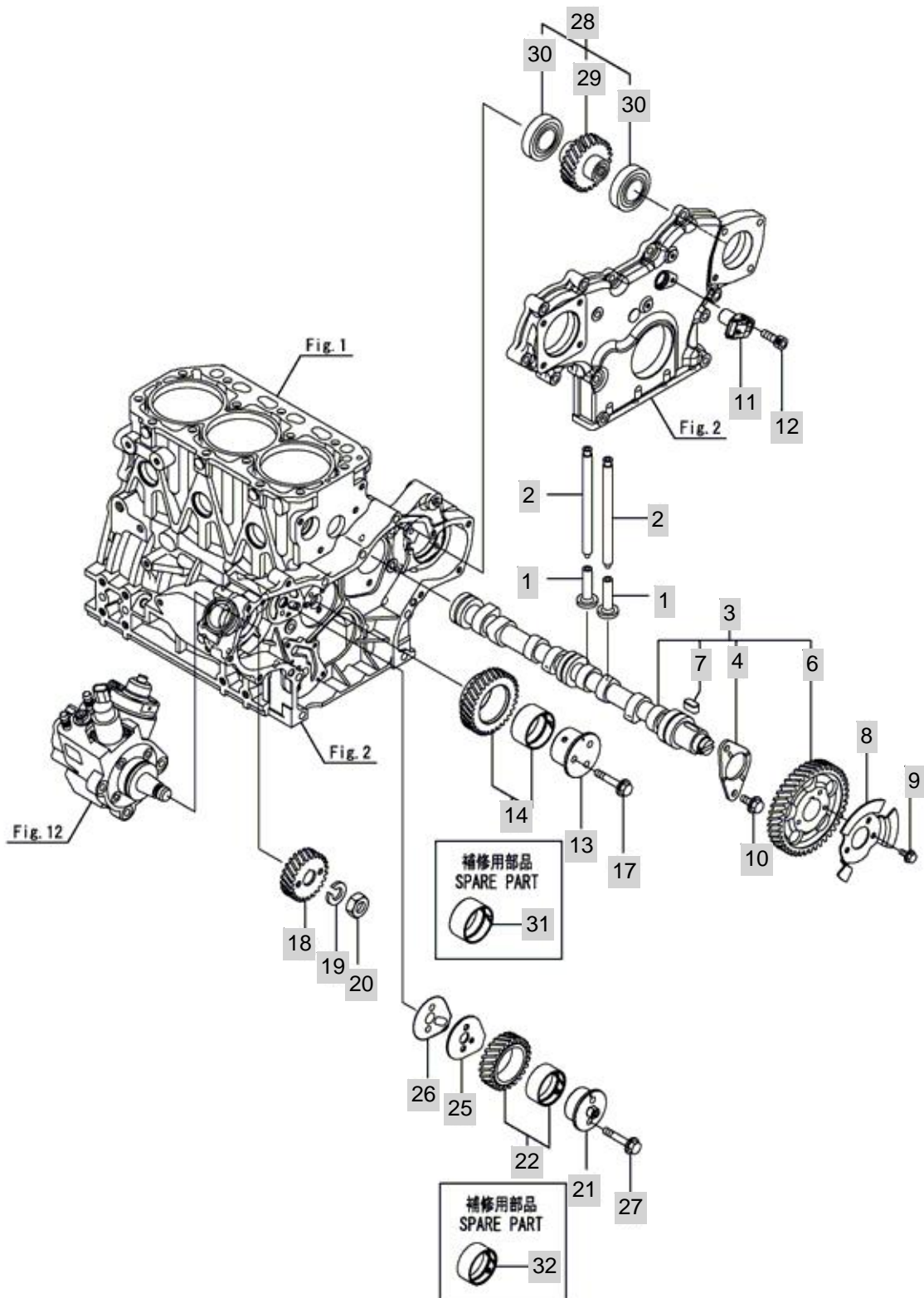
FIG 108

CAMSHAFT & DRIVING GEAR

년/월
Year/Month

2020.07

T394ST



NOTE

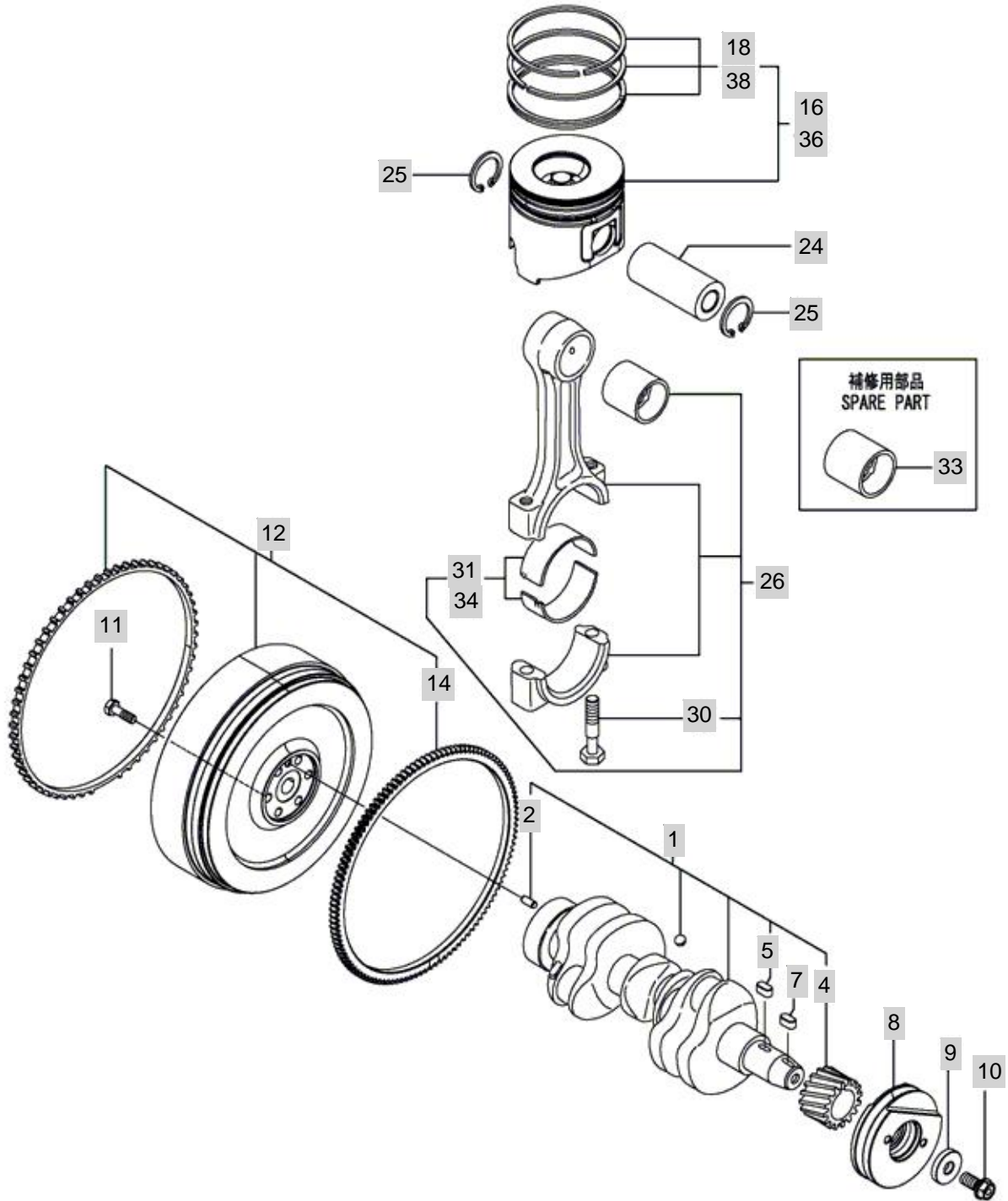
FIG 109

CRANKSHAFT & PISTON

년/월
Year/Month

2020.07

T394ST



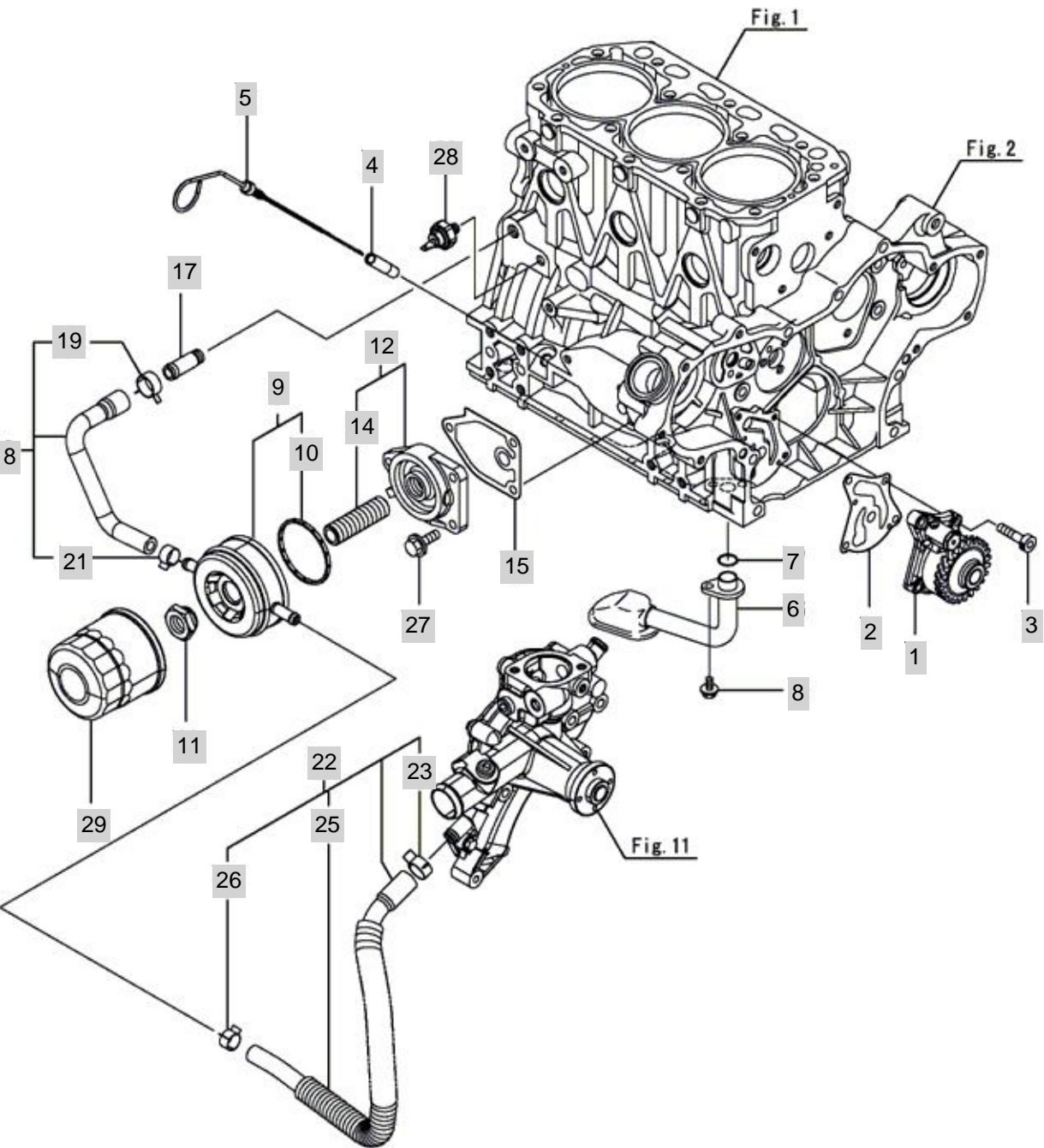
NOTE

FIG 110

LUB OIL SYSTEM

년/월
Year/Month

2020.07



NOTE

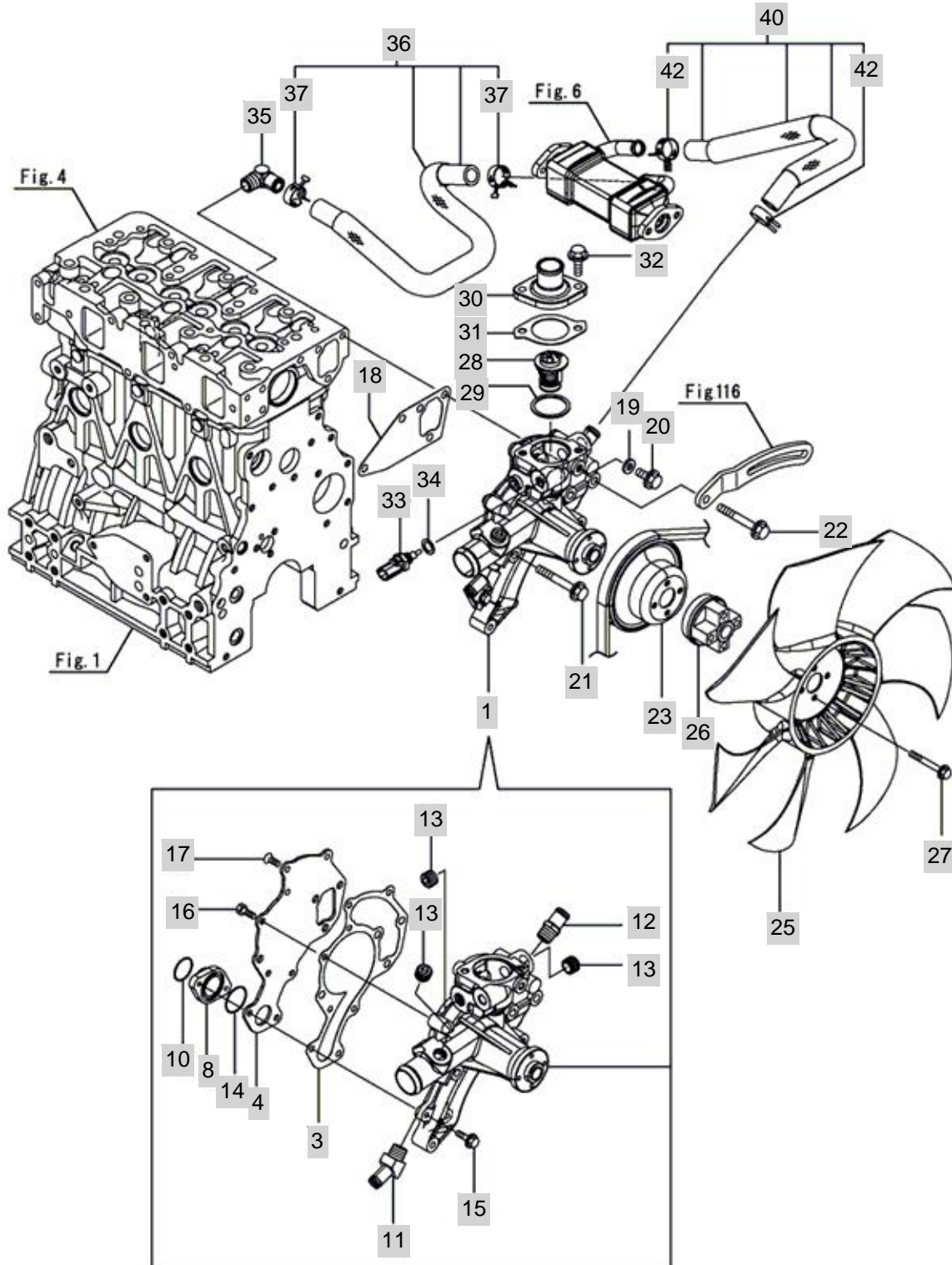
FIG 111

COOLING WATER SYSTEM

년/월
Year/Month

2020.07

T394ST



NOTE

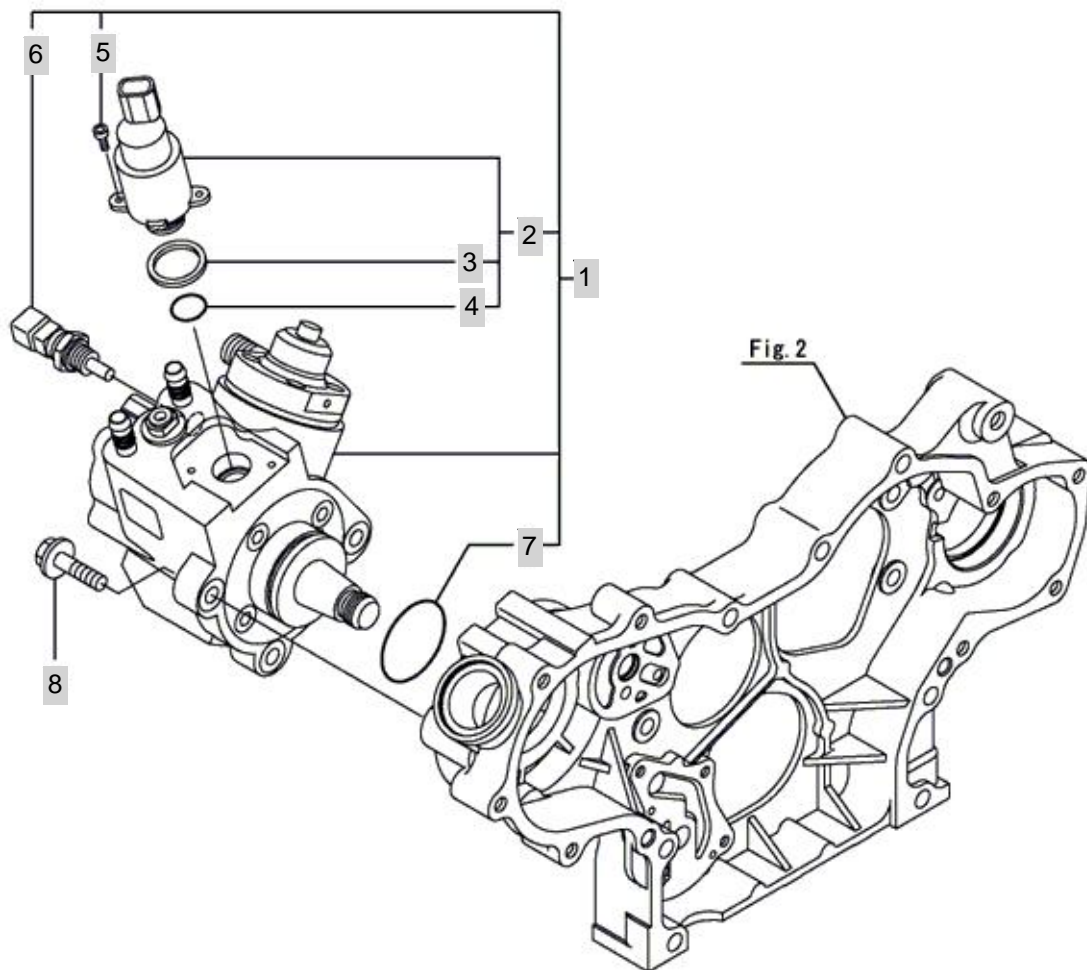
FIG 112

T394ST

FUEL SUPPLY PUMP

년/월
Year/Month

2020.07



NOTE

FIG 112		FUEL SUPPLY PUMP						년/월 Year/Month	
T394ST								2020.07	
KEY NO		PART NO	DESCRIPTION	SPEC	QTY	REPAIR	EFFECTIVE DATE	REMARKS	
112	1	129A00-51000	PUMP ASSY, FUEL		1				
112	2	129A00-51100	VALVE ASSY, MPROP		1				
112	3	129A00-51110	RING, SEALING		1				
112	4	129A00-51120	O-RING, MPROP		1				
112	5	129A00-51130	BOLT, MPROP		2				
112	6	129A00-51200	SENSOR, TEMPERATURE		1				
112	7	129A00-51900	O-RING, FUEL PUMP		1				
112	8	26106-080302	BOLT, M8X 30 PLATED		3				
NOTE									

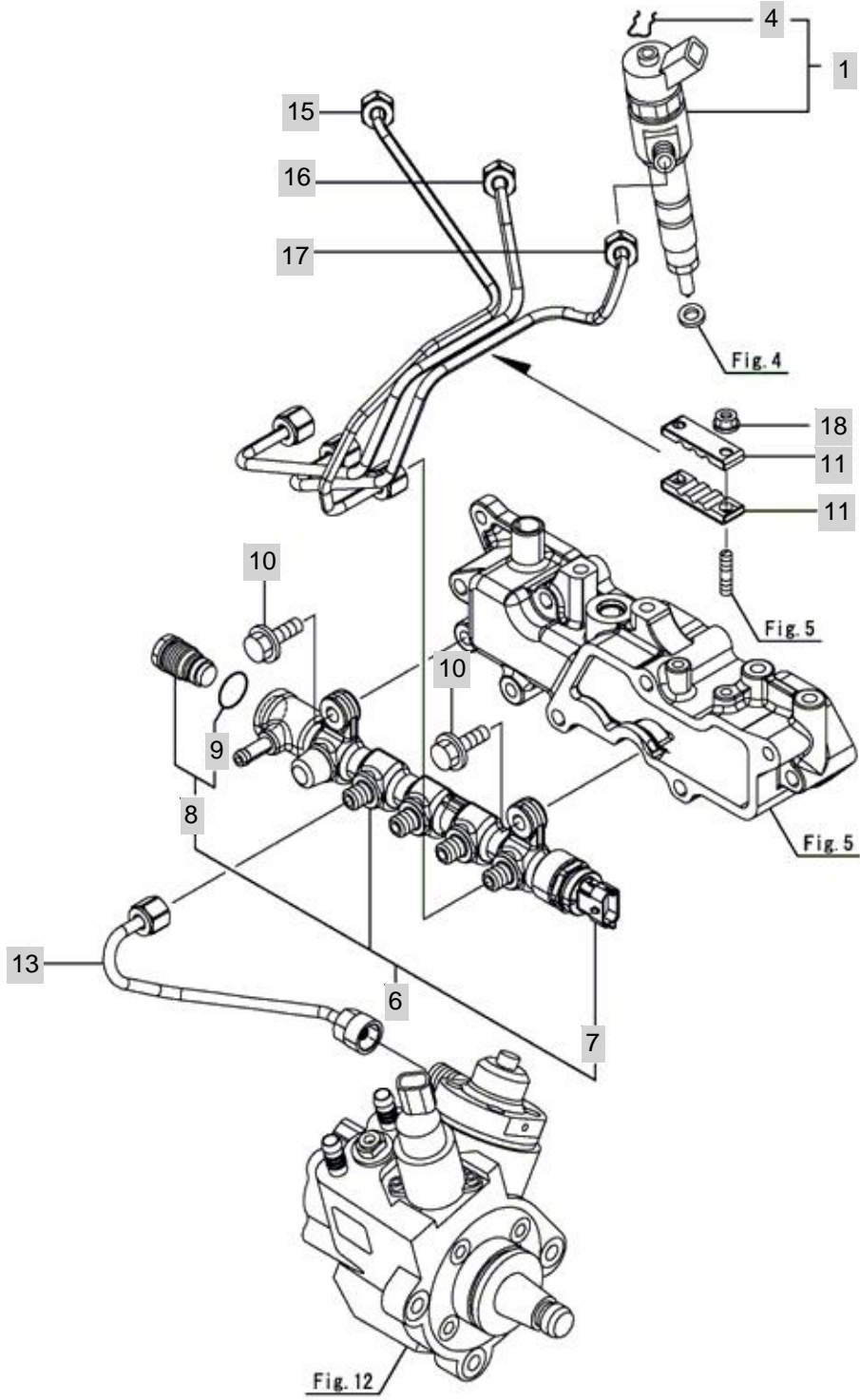
FIG 113

FUEL INJECTION VALVE

년/월
Year/Month

2020.07

T394ST



NOTE

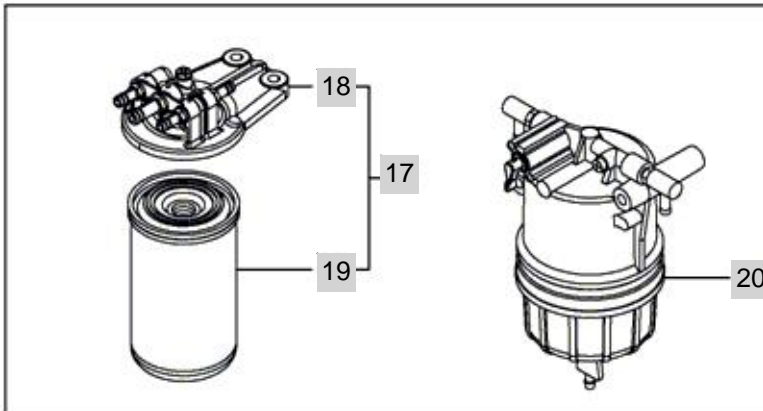
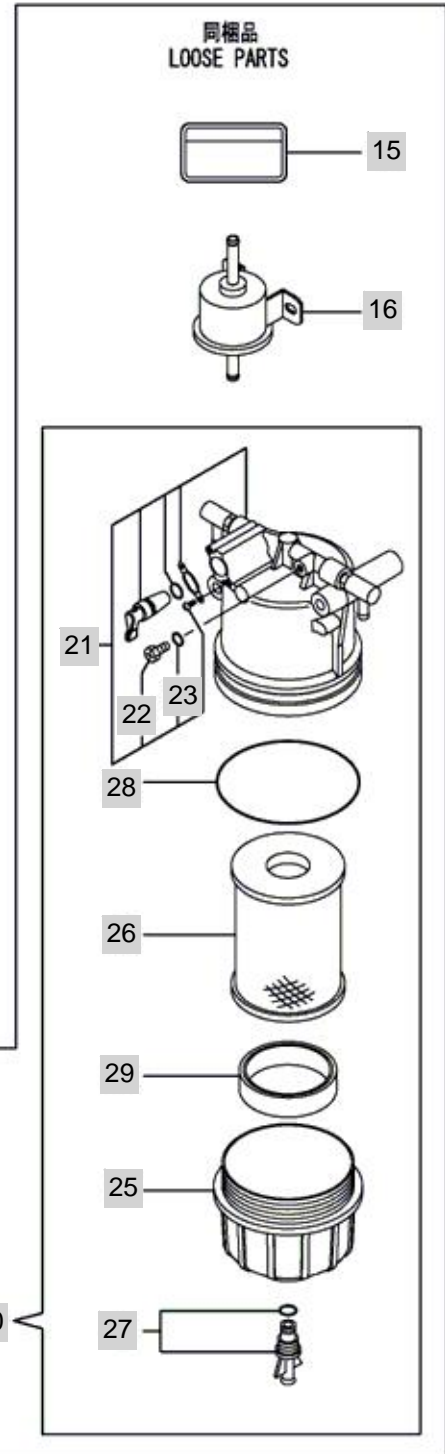
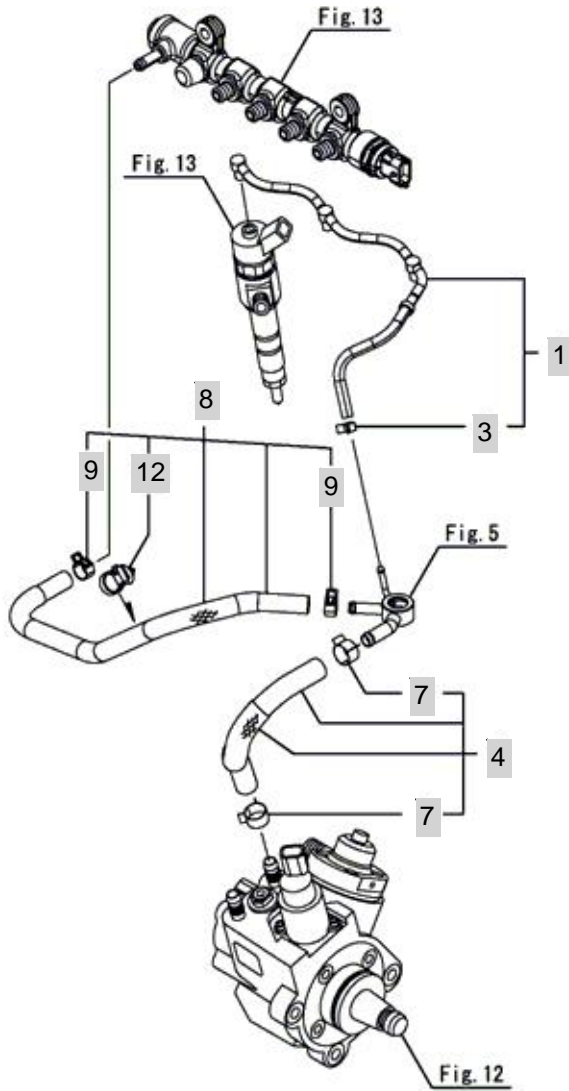
FIG 114

T394ST

FUEL PIPE

년/월
Year/Month

2020.07



NOTE

FIG 114 T394ST		FUEL PIPE					년/월 Year/Month	
							2020.07	
KEY NO	PART NO	DESCRIPTION	SPEC	QTY	REPAIR	EFFECTIVE DATE	REMARKS	
114	1	129A23-59500	PIPE ASSY, FO RETURN			1		
114	3	23080-007000	CLAMP, 7			1		
114	4	129A00-59020	PIPE ASSY, FUEL			1		
114	7	23080-015000	CLAMP, 15			2		
114	8	129A00-59030	PIPE ASSY, FUEL			1		
114	9	114270-59010	CLAMP, HOSE 12			2		
114	12	129A00-91200	BAND CLIP			1		
114	15	114110-07761	LABEL, FUEL OIL CAUT			1		
114	16	129612-52100	PUMP, FUEL FEED			1		
114	17	129A00-55600	FILTE ASSY,FO			1		
114	18	129A00-55610	BRACKET ASSY,FO FILT			1		
114	19	129A00-55800	FILTER, FUEL OIL			1		
114	20	129E22-55700	FILTER ASSY, FUEL			1		
114	21	129E00-55710	BODY ASSY			1		
114	22	129A00-55750	PLUG,BREATHER			1		
114	23	129A00-55760	O-RING			1		
114	25	129A00-55720	CUP(CLEAR			1		
114	26	129A00-55730	ELEMENT			1		
114	27	129242-55740	PLUG, DRAIN			1		
114	28	129A00-55740	O-RING			1		
114	29	129A00-55770	FLOAT			1		
NOTE								

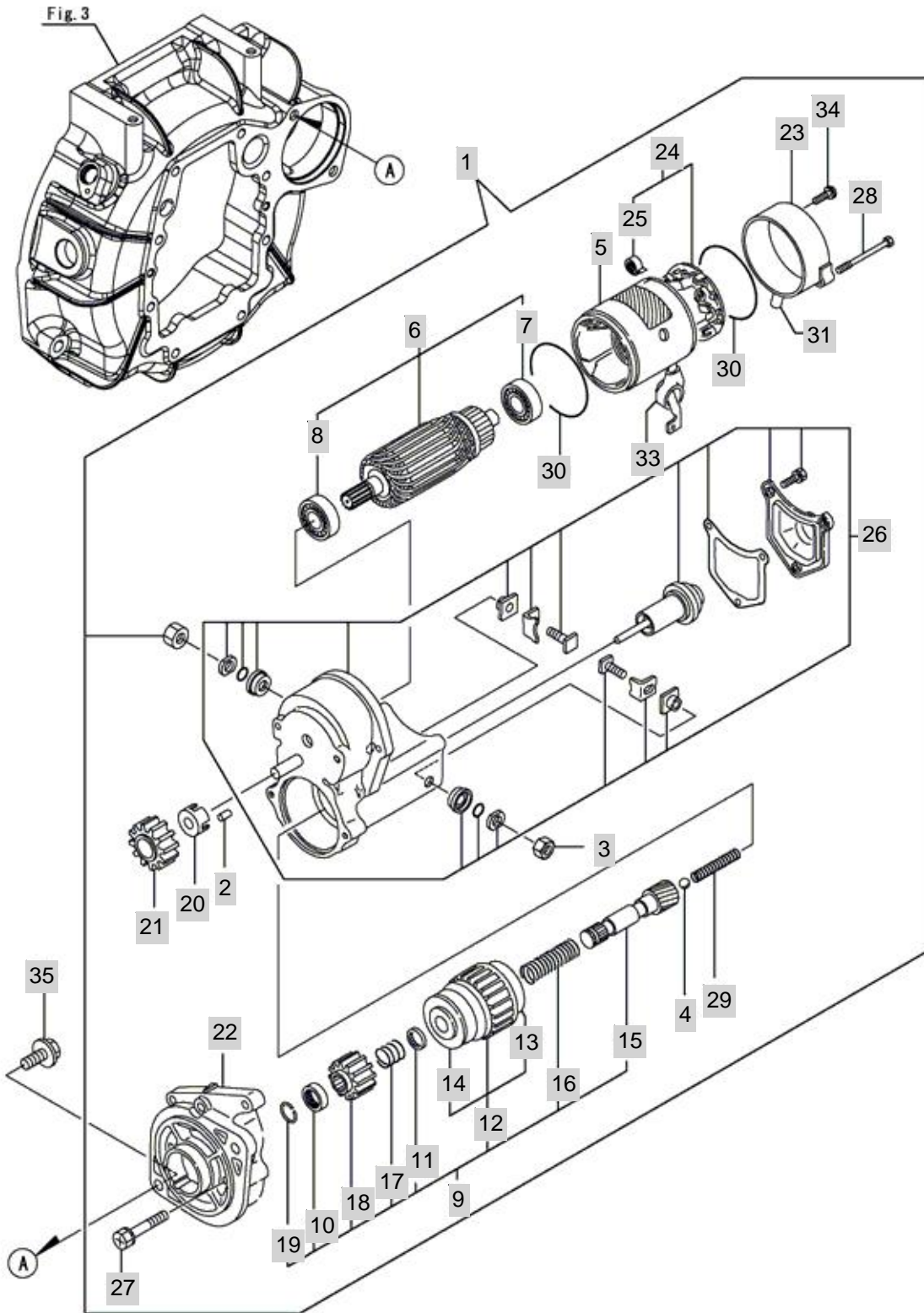
FIG 115

STARTER MOTOR

년/월
Year/Month

2020.07

T394ST



NOTE

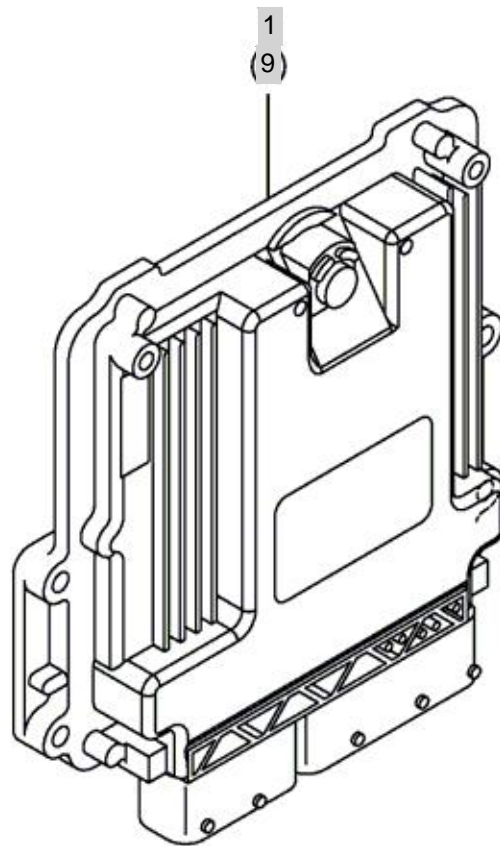
FIG 117

T394ST

ELECTRONIC CONTROL UNIT(ECU)

년/월
Year/Month

2020.07



NOTE

FIG 117 T394ST		ELECTRONIC CONTROL UNIT(ECU)						년/월 Year/Month	
								2020.07	
KEY NO	PART NO	DESCRIPTION	SPEC	QTY	REPAIR	EFFECTIVE DATE	REMARKS		
117	1	129A26-75040	ECU ASSY,3-88CDKTF	1					
117	9	129A00-75910	ECU ASSY,SERVICE YMR	1					
NOTE									

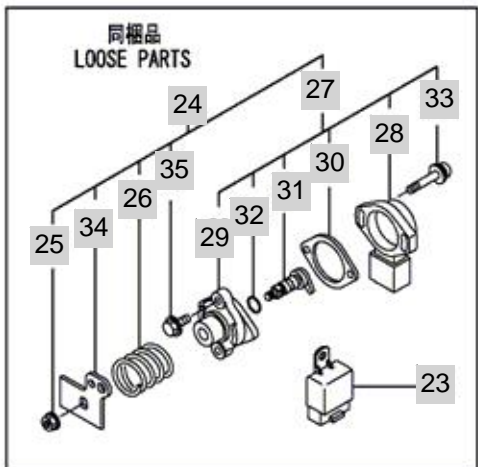
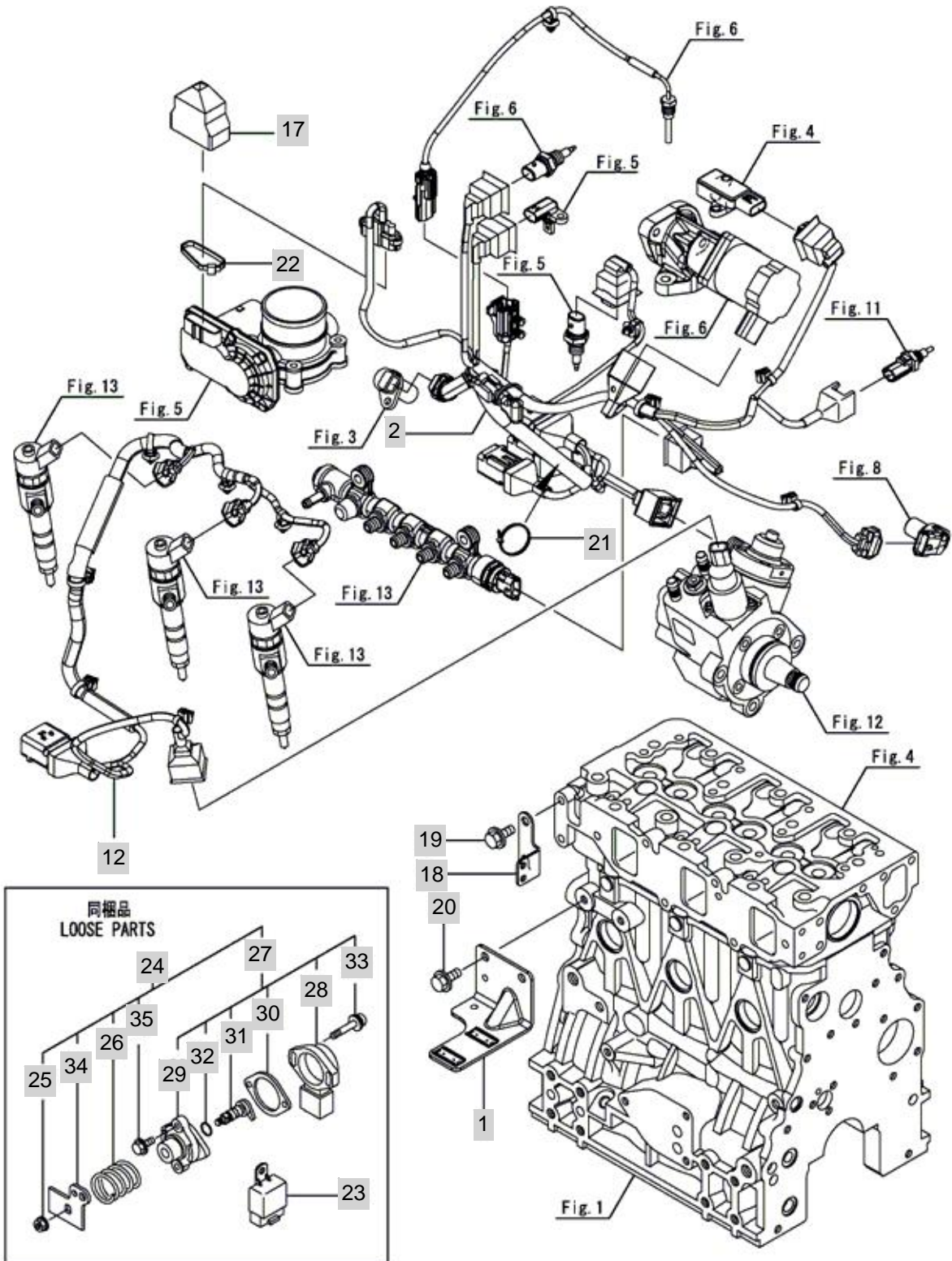
FIG 118

ELECTRIC PARTS

년/월
Year/Month

T394ST

2020.07



NOTE

Z. ENGINE ACCESSORIES & CONTROL PART NO.

T394ST-C2

FIG 201 AIR CLEANER	43
FIG 202 RADIATOR	45
FIG 203 MUFFLER	47
FIG 204 FUEL TANK & HOSE	49
FIG 205 ACCELERATOR	51

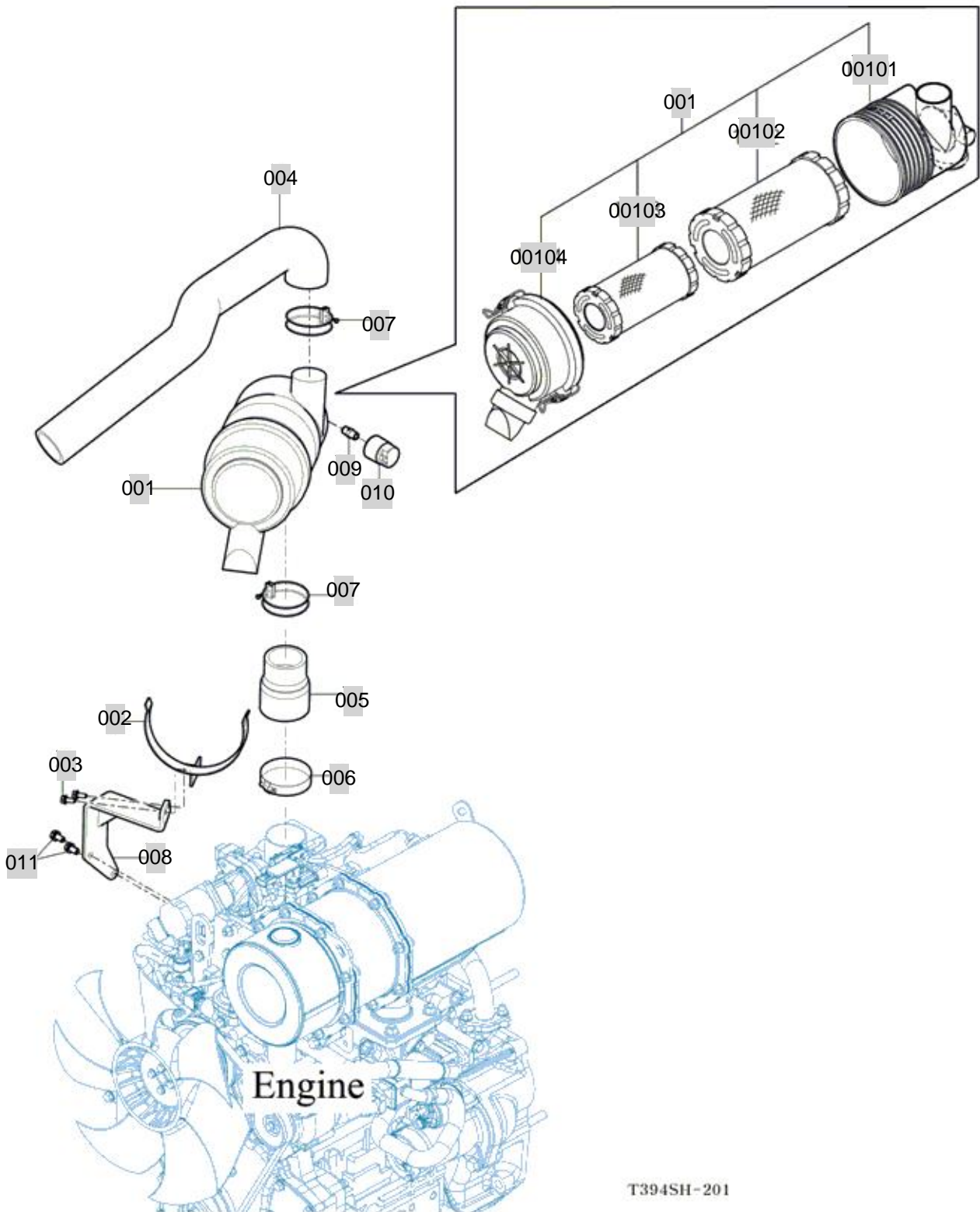
FIG 201

AIR CLEANER

년/월
Year/Month

2020.07

T394ST



T394SH-201

NOTE

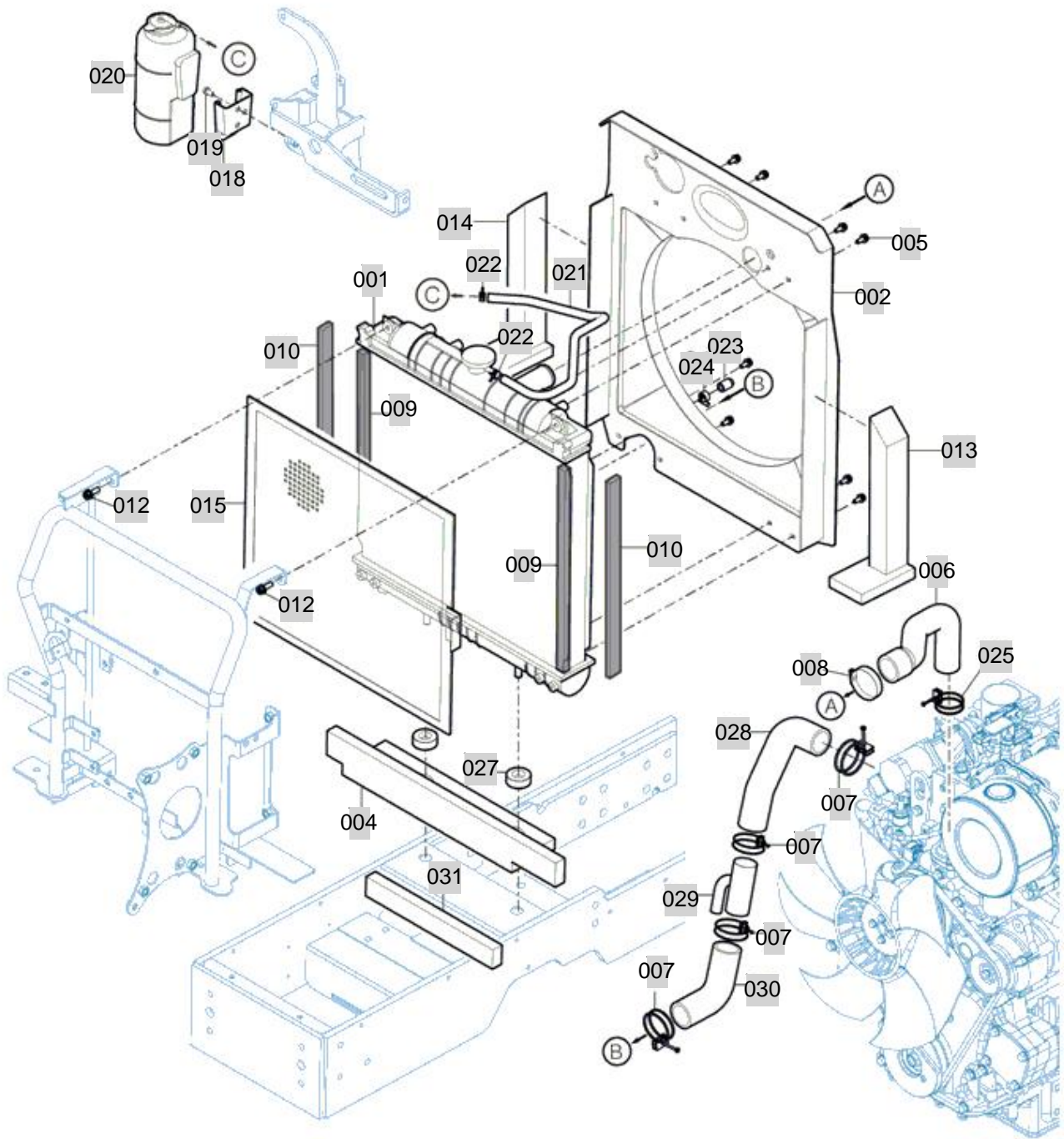
FIG 202

RADIATOR

년/월
Year/Month

2020.07

T394ST



NOTE

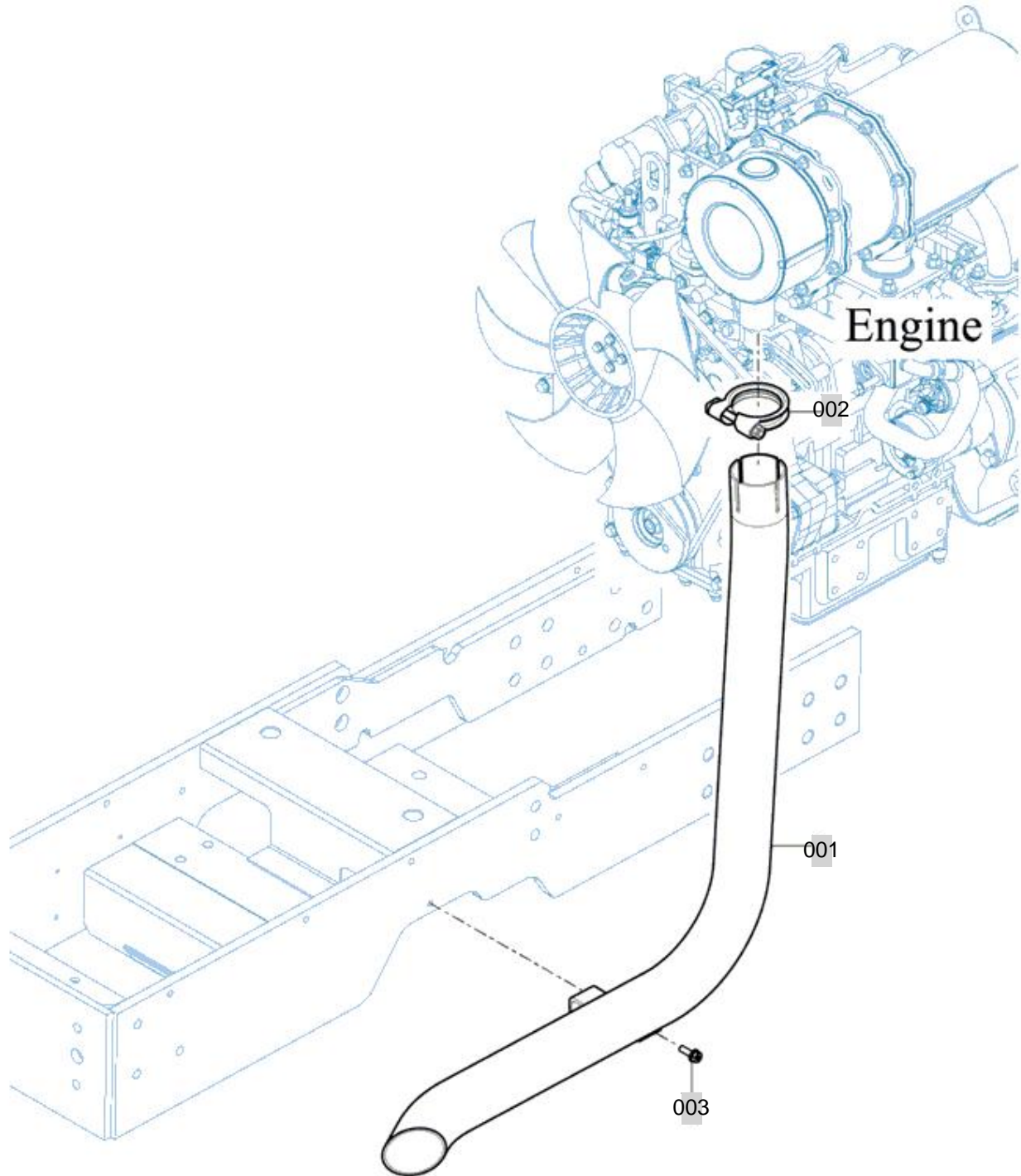
FIG 203

MUFFLER

년/월
Year/Month

T394ST

2020.07



NOTE

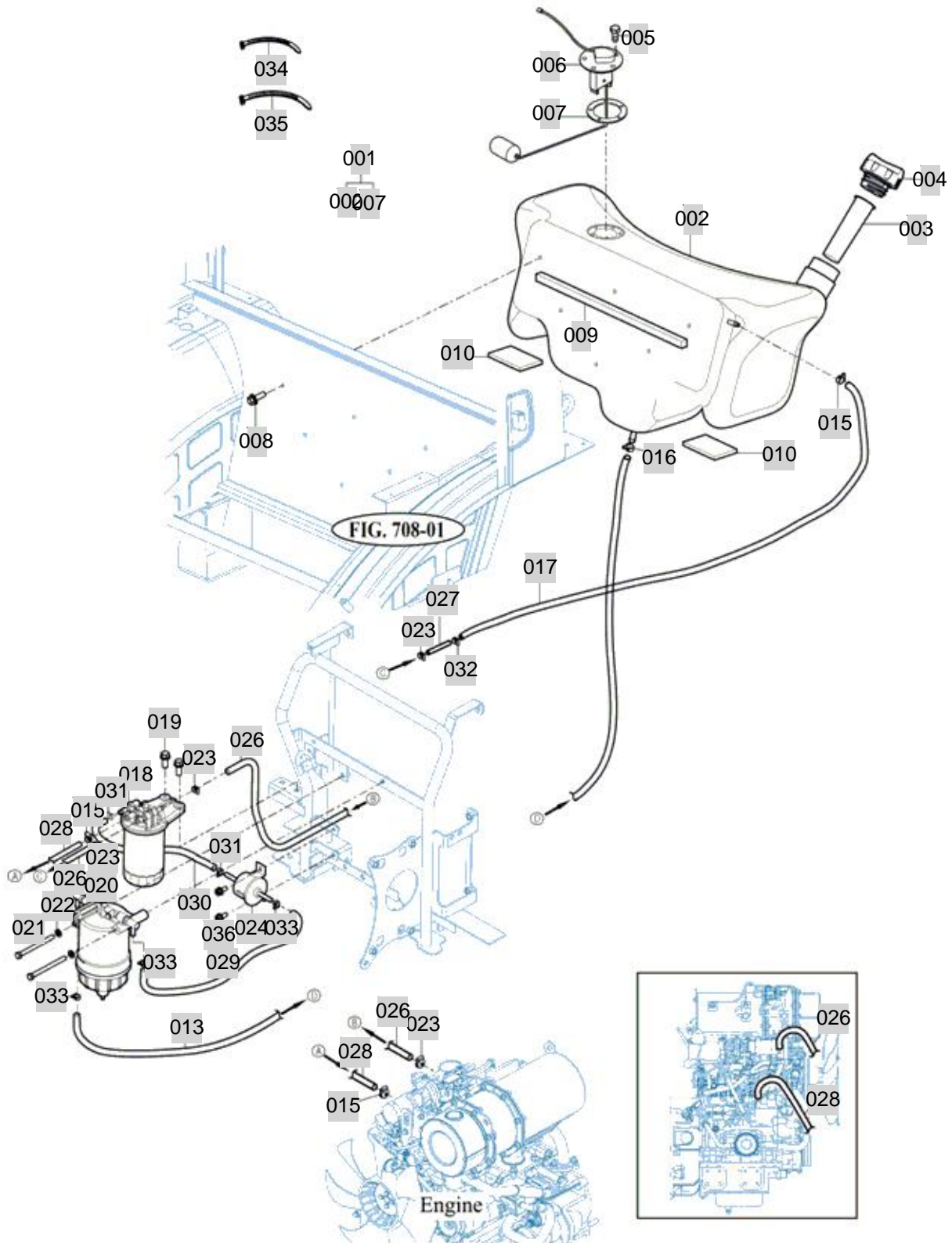
FIG 204

T394ST

FUEL TANK & HOSE

년/월
Year/Month

2020.07



NOTE

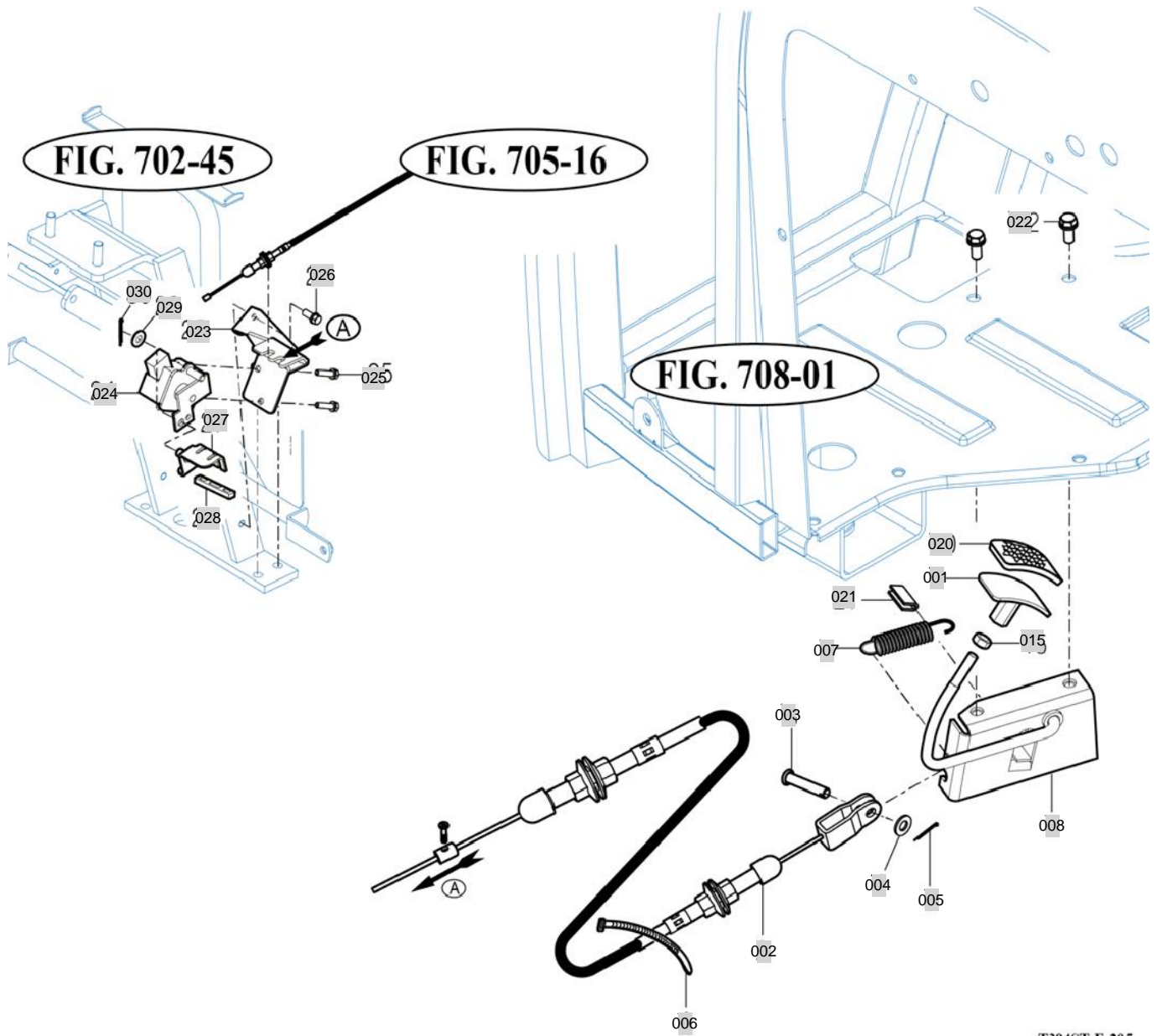
FIG 205

ACCELERATOR

년/월
Year/Month

T394ST

2020.07



T394ST-E-205

NOTE

3. CLUTCH,BRAKE,STEERING PART NO. T394ST-C3

FIG 301 CLUTCH PEDAL	54
FIG 302 FLYWHEEL & CLUTCH	56
FIG 303 BRAKE PEDAL	58
FIG 304 BRAKE	60
FIG 305 FRONT WHEEL MOUNTING	62
FIG 306 REAR WHEEL MOUNTING	64
FIG 307 STEERING WHEEL & DASH COVER	66
FIG 308 STEERING VALVE & PARKING	68
FIG 309 STEERING CYLINDER	70

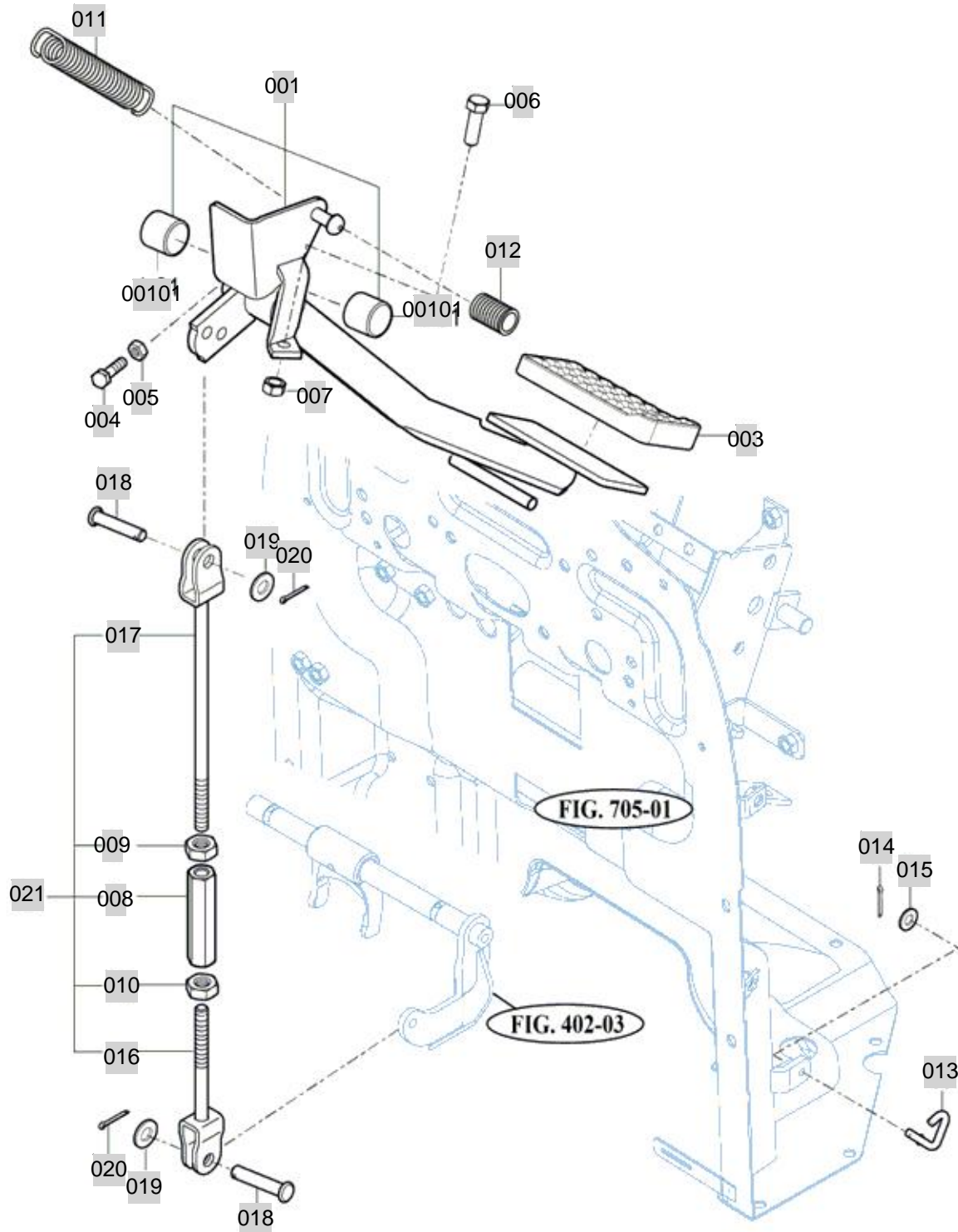
FIG 301

CLUTCH PEDAL

년/월
Year/Month

2020.07

T394ST



T394ST-E-301

NOTE

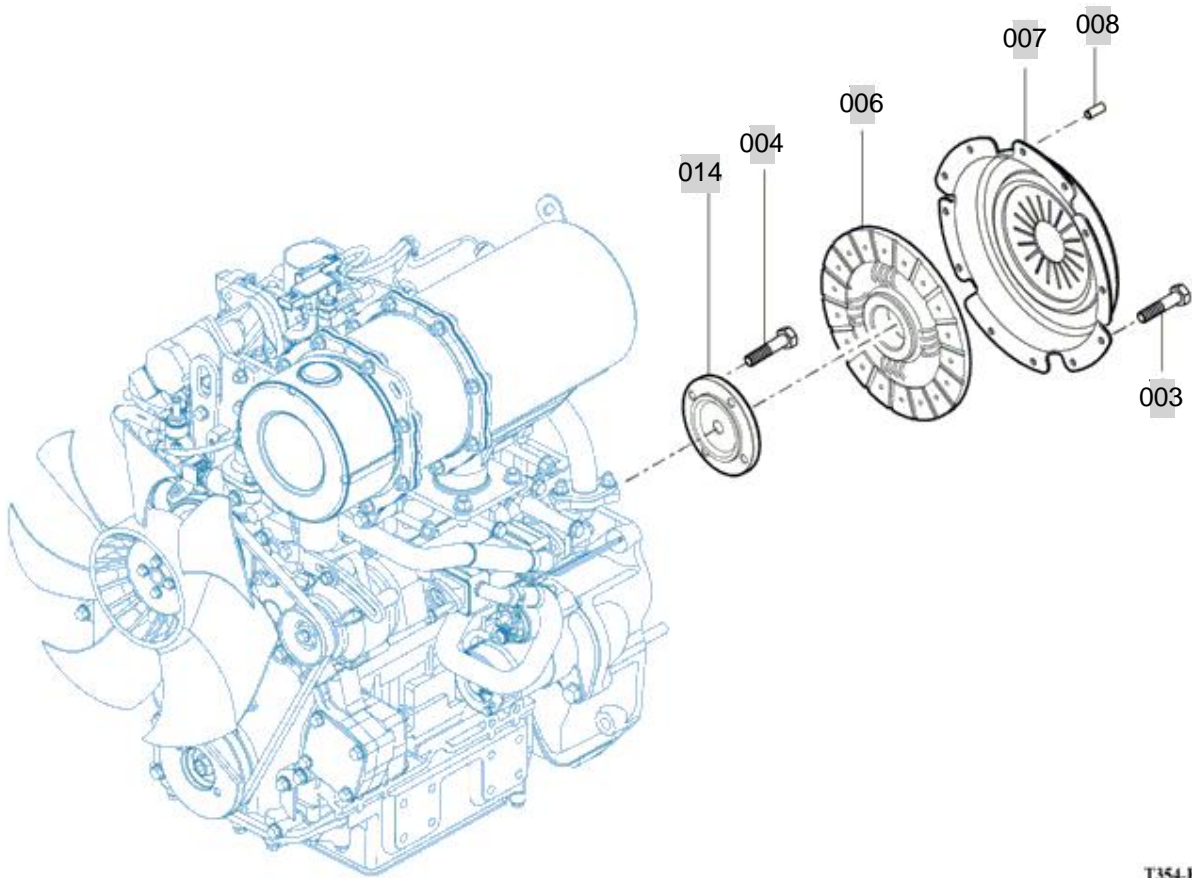
FIG 302

FLYWHEEL & CLUTCH

년/월
Year/Month

2020.07

T394ST



T354-E-302

NOTE

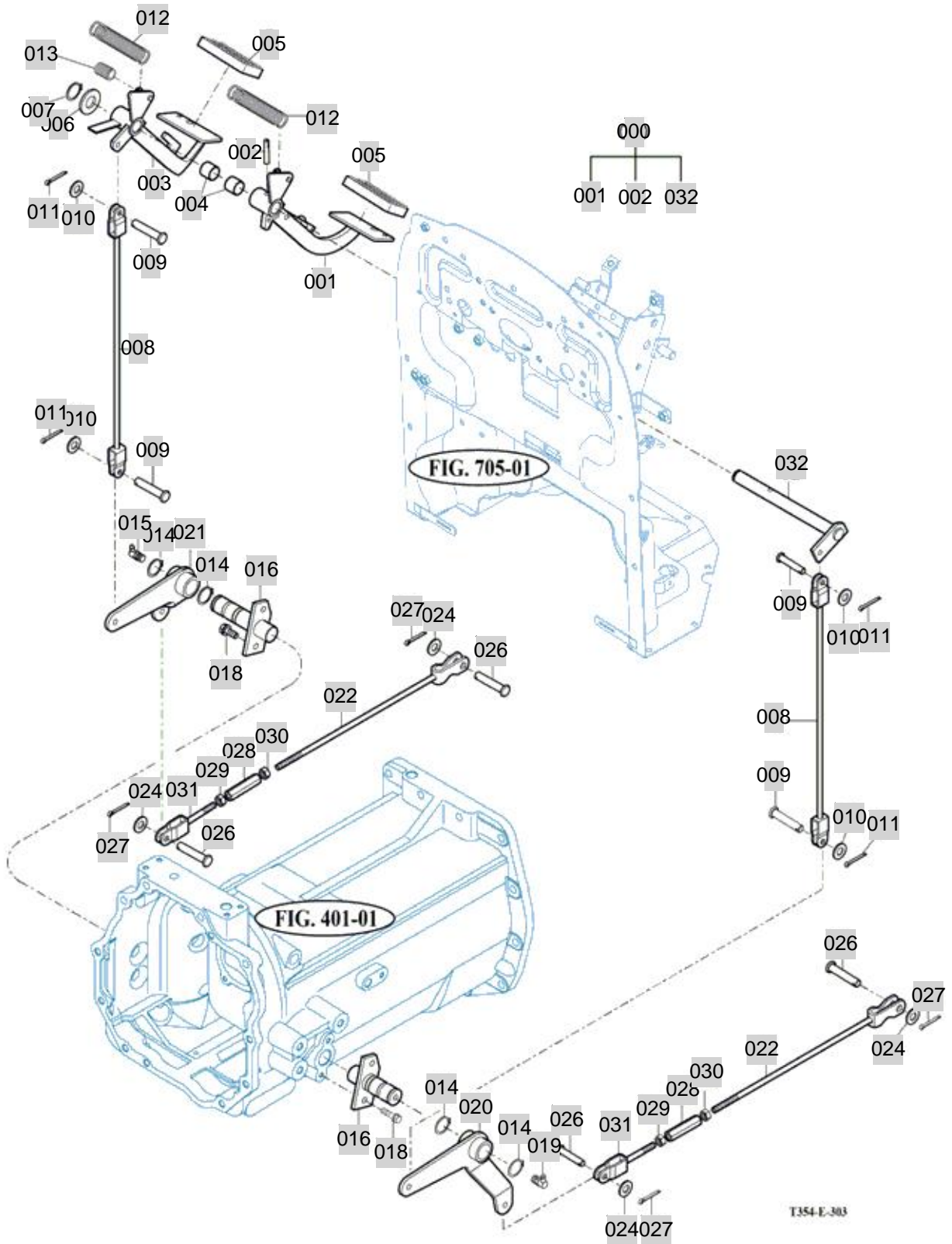
FIG 303

T394ST

BRAKE PEDAL

년/월
Year/Month

2020.07



NOTE

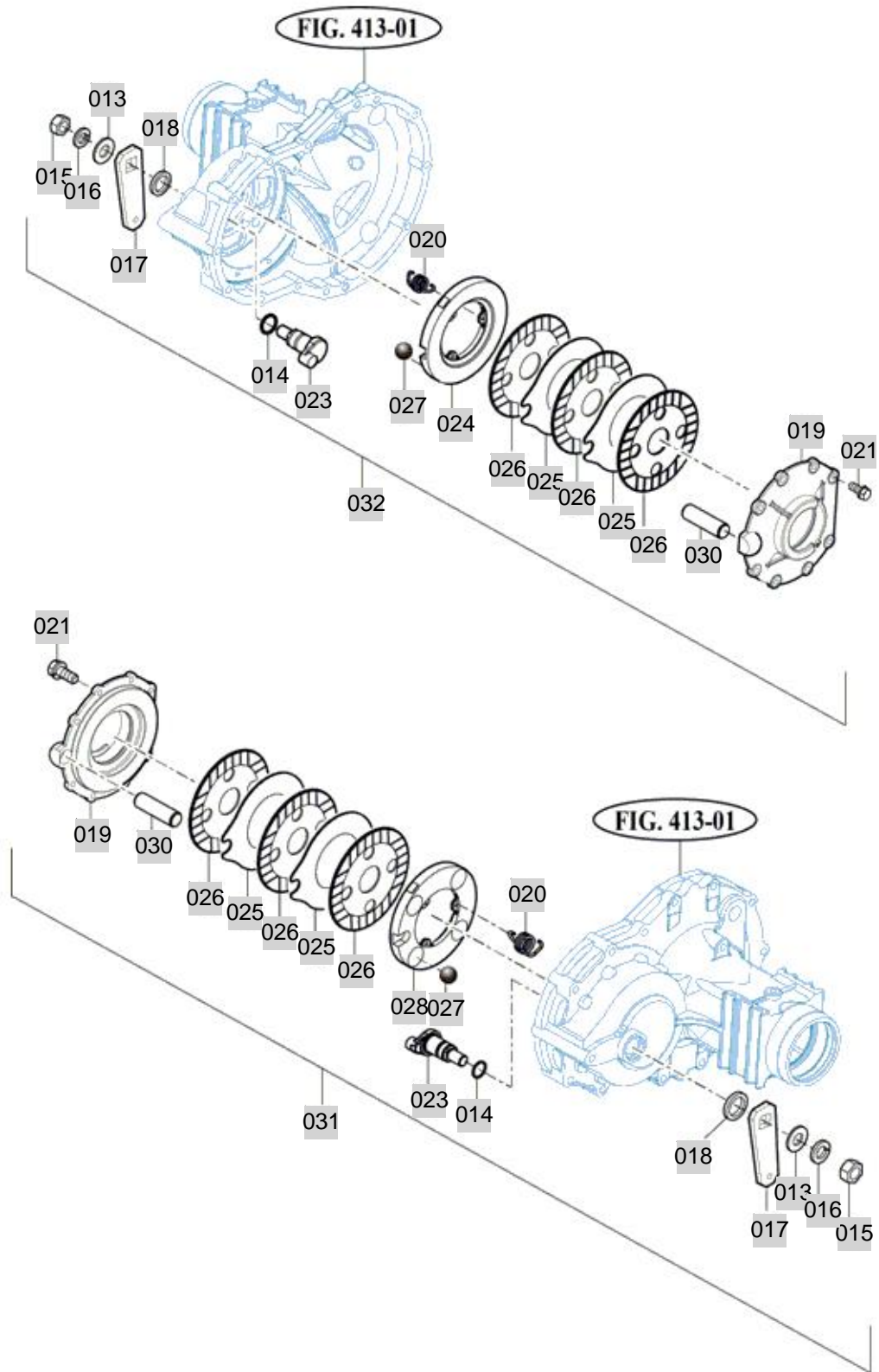
FIG 304

T394ST

BRAKE

년/월
Year/Month

2020.07



NOTE

FIG 304 T394ST		BRAKE						년/월 Year/Month
								2020.07
KEY NO	PART NO		DESCRIPTION	SPEC	QTY	REPAIR	EFFECTIVE DATE	REMARKS
304	013	V4111600160	WASHER , PLAIN	M16	2		20071011	
304	014	V7201024021	O-RING , P	P21	2			
304	015	V3343600160	NUT , HEX FINE/2	M16	2		20080601	
304	016	V4011600160	WASHER , SPRING	M16	2		20081226	
304	017	16703270090	ARM , BRAKE	1X1X1	2			
304	018	V7441253506	SEAL , OIL/D	D25356	2			
304	019	12383270010	COVER , LH BRAKE		2			
304	020	16703272030	SPRING , RETURN	1X1X1	6			
304	021	V2173608020	BOLT , HEX/S	M8X20	16		20120501	
304	023	16703270011	CAM	1X1X1	2			
304	024	16703270021	METAL , BRAKE	1X1X1	1			
304	025	14443272021	PLATE , SEPARATE	T=2.5	4			
304	026	15603102011	PLATE COMP , DISK		6			
304	027	V6802000019	BALL , STEEL	19/32	8			
304	028	16703270040	METAL , BRAKE	1X1X1	1			
304	030	16703270030	PIN, TORQUE	D=22	2			
304	031	12383272000	DISK ASSY , LH BRAKE		1			
304	032	12383270000	DISK ASSY , RH BRAKE		1			
NOTE								

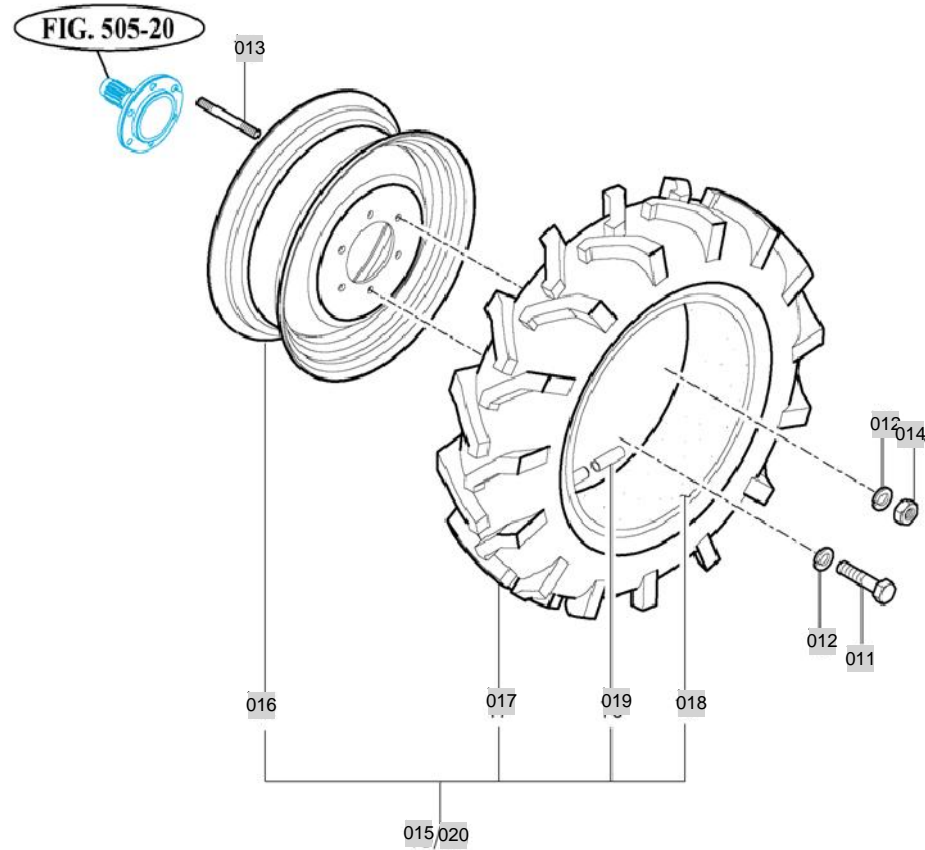
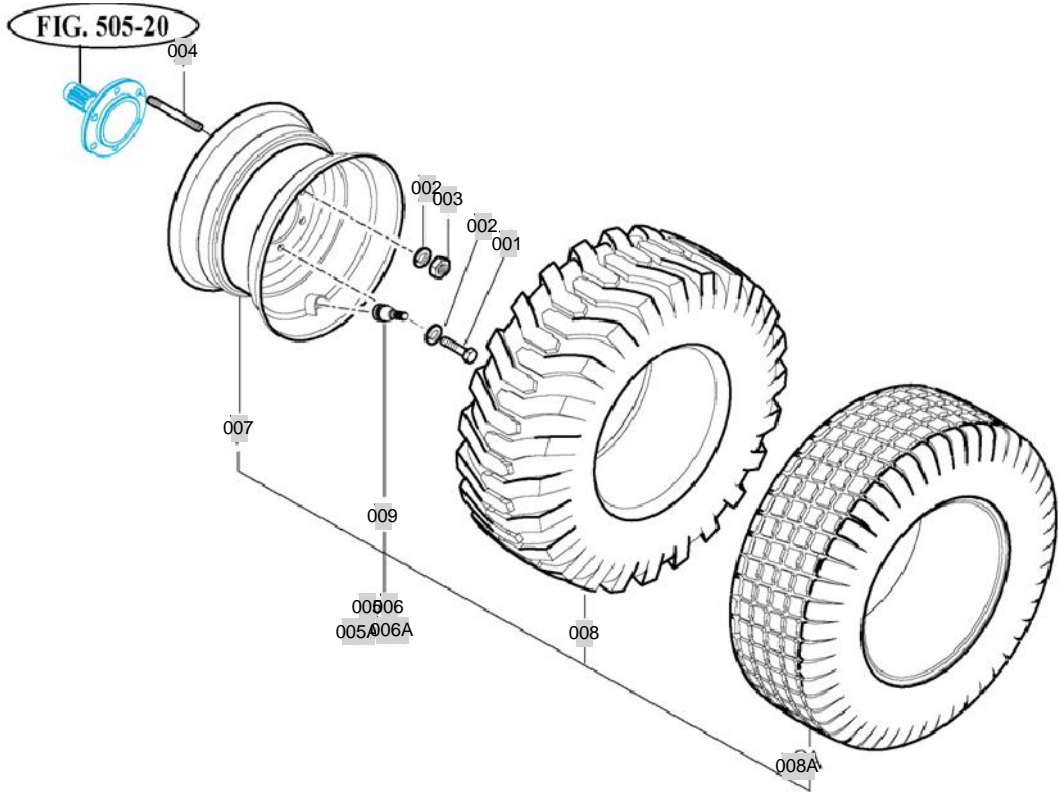
FIG 305

FRONT WHEEL MOUNTING

년/월
Year/Month

T394ST

2020.07



T394-E-305

NOTE

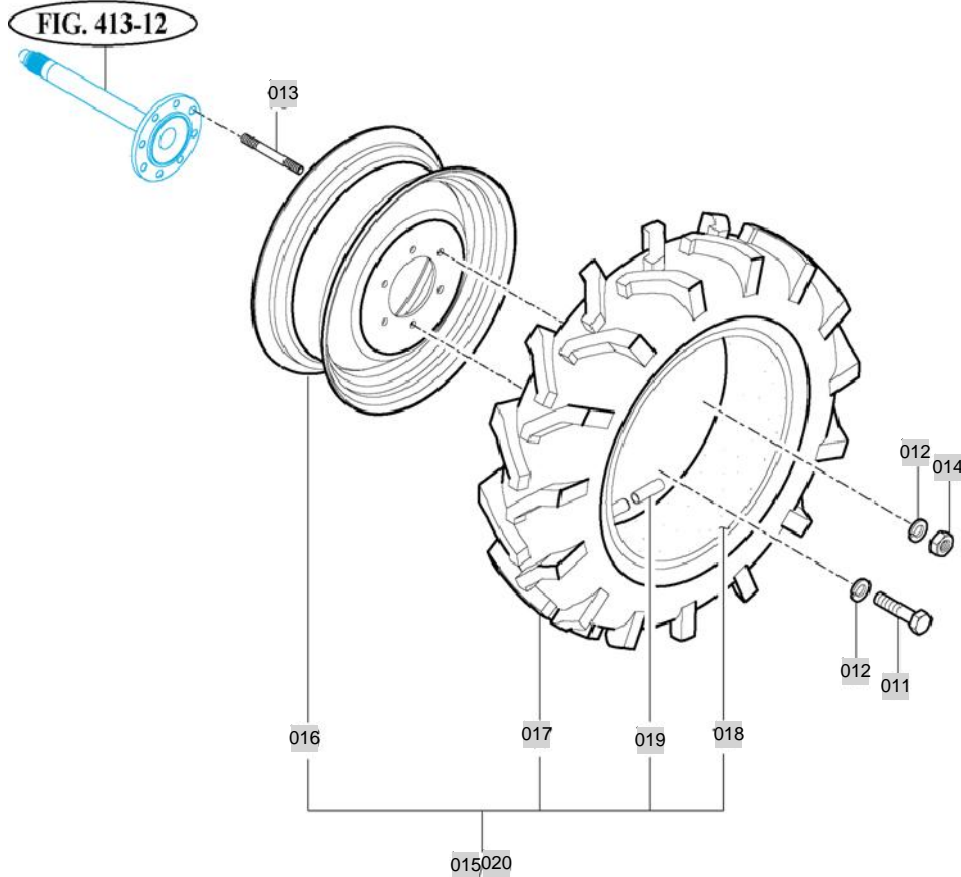
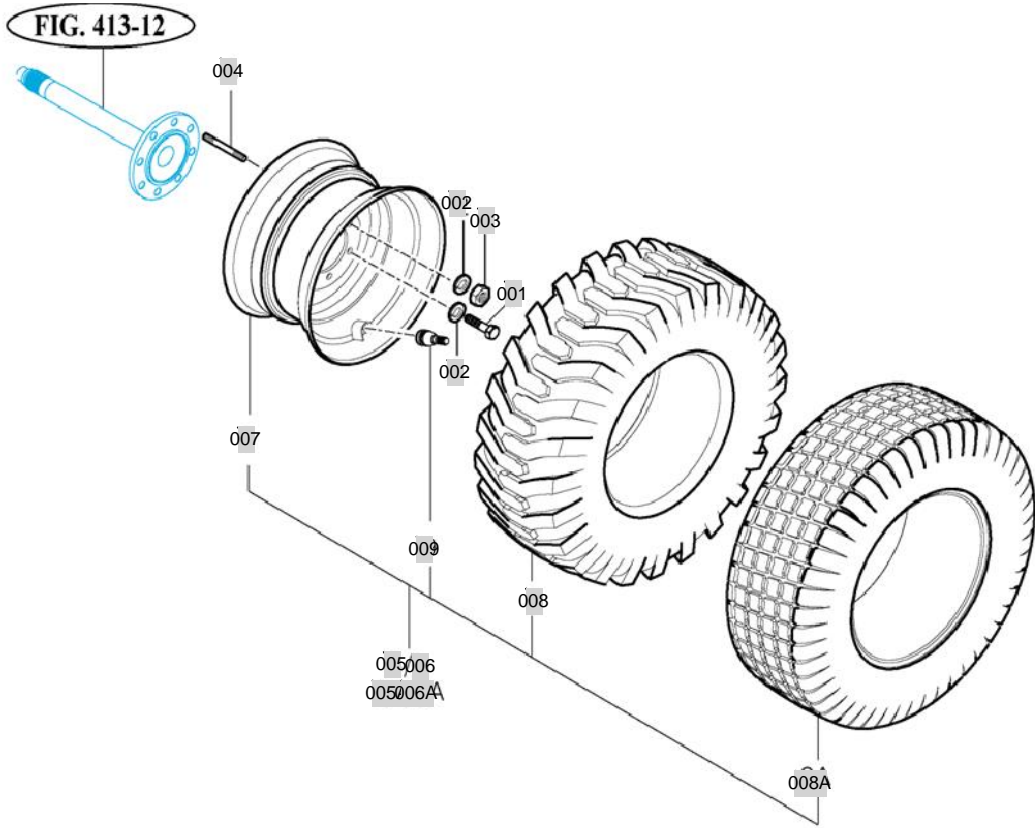
FIG 306

T394ST

REAR WHEEL MOUNTING

년/월
Year/Month

2020.07



T384-E-305

NOTE

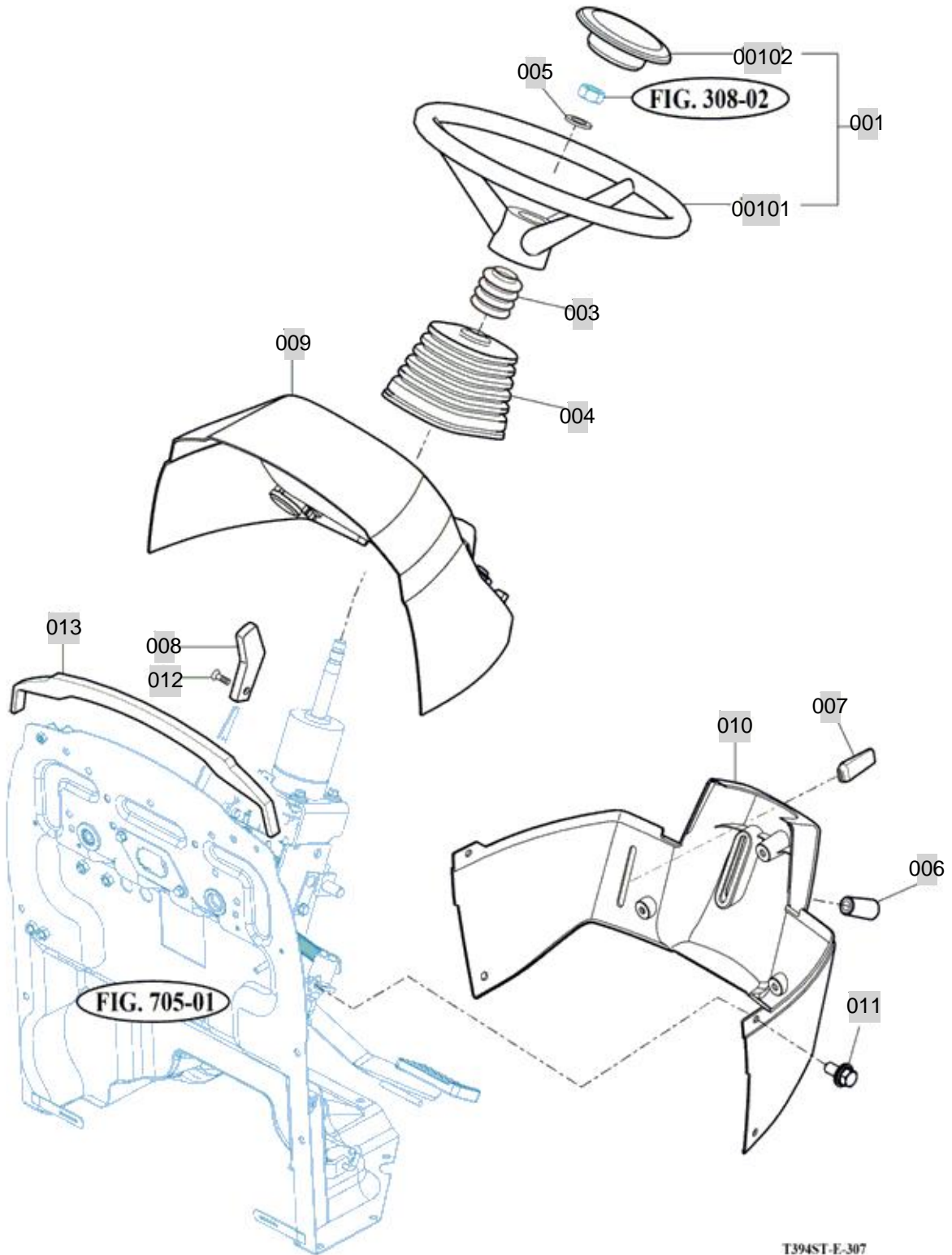
FIG 307

T394ST

STEERING WHEEL & DASH COVER

년/월
Year/Month

2020.07



NOTE

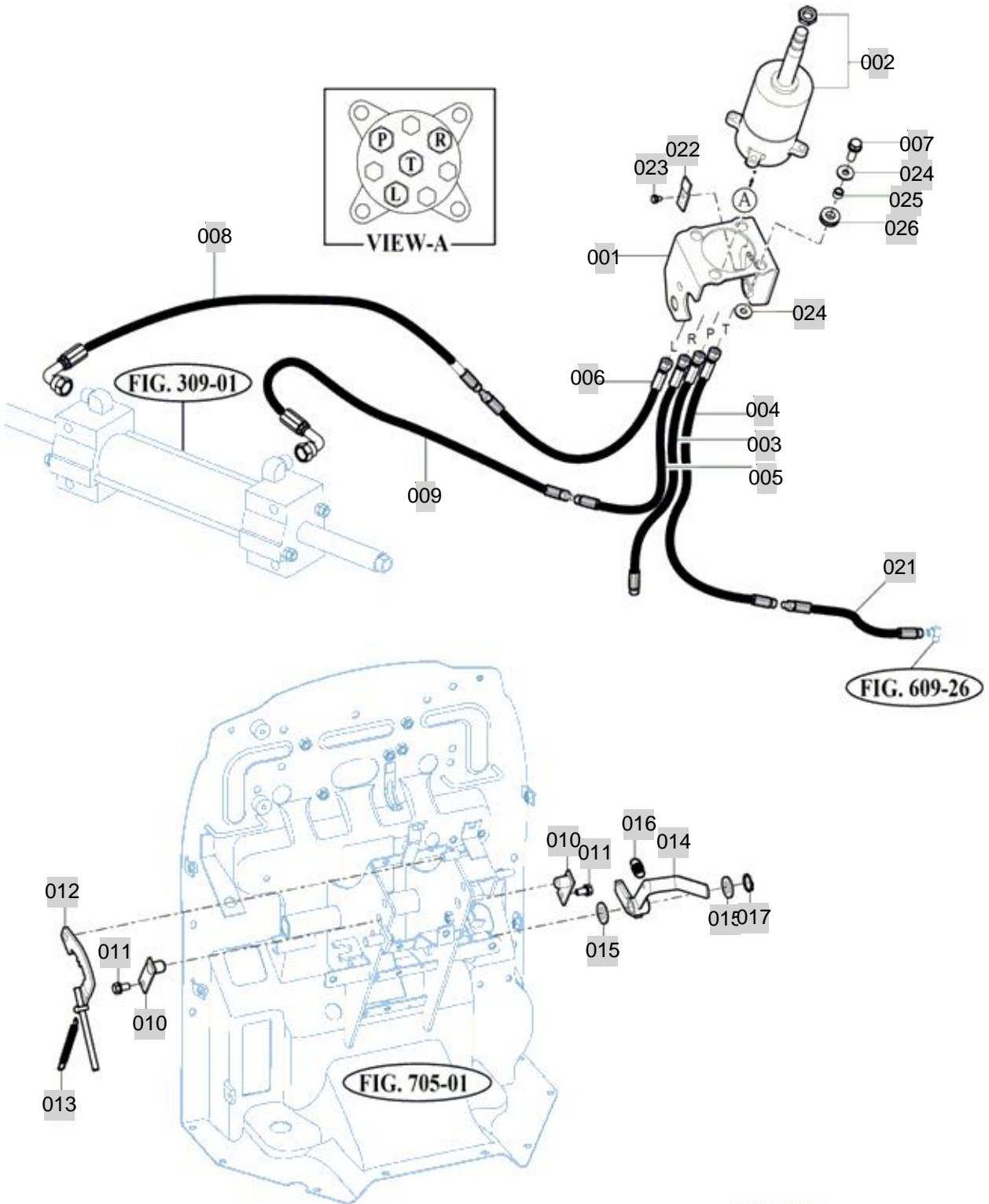
FIG 308

STEERING VALVE & PARKING

년/월
Year/Month

2020.07

T394ST



T394ST-E-308

NOTE

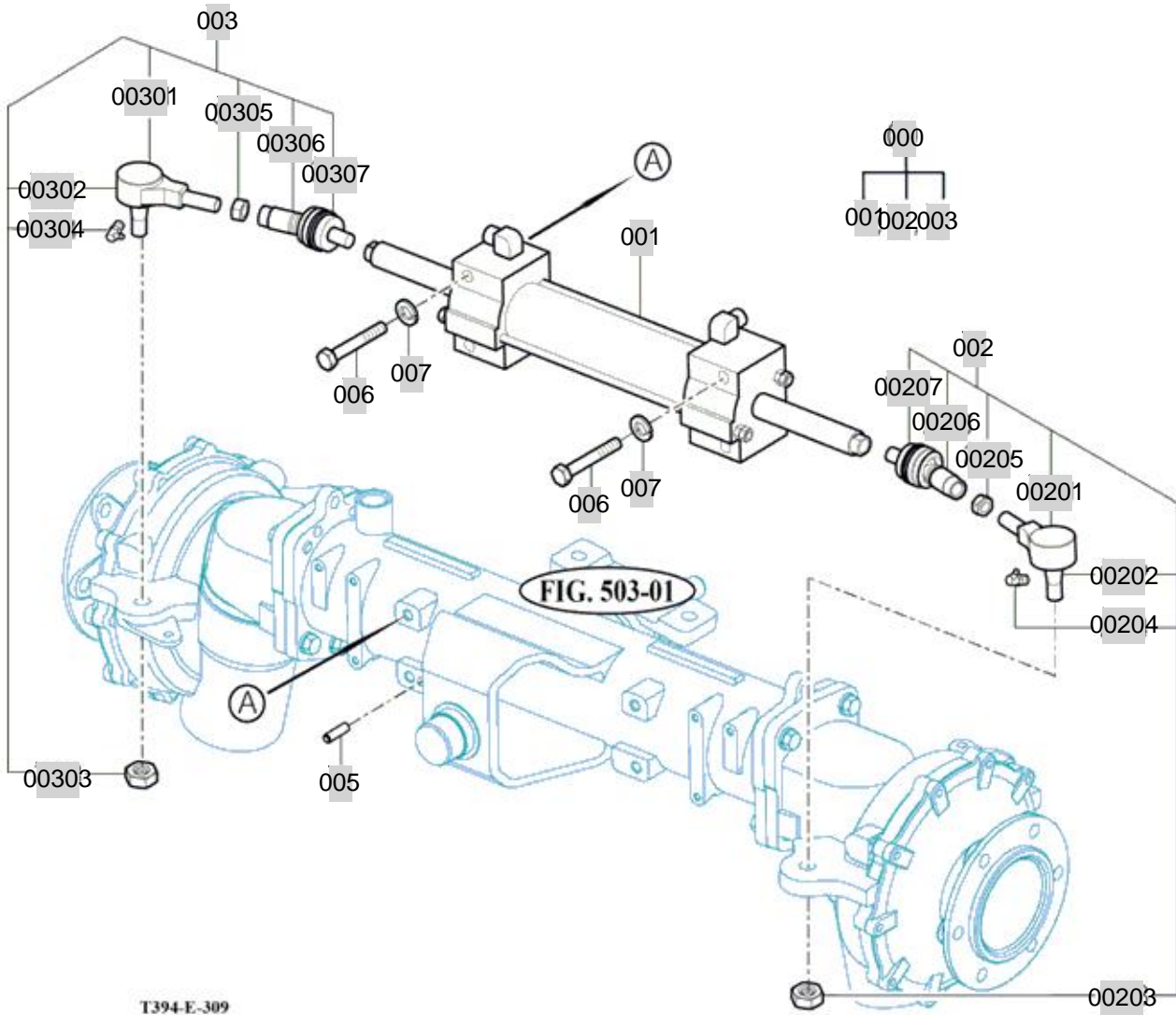
FIG 309

T394ST

STEERING CYLINDER

년/월
Year/Month

2020.07



NOTE

4. TRANSMISSION & REAR AXLE PART NO. T394ST-C4

FIG 401 TRANSMISSION FRONT CASE	73
FIG 402 INPUT METAL	75
FIG 403 INPUT GEAR	77
FIG 404 4WD DRIVE GEAR	79
FIG 405 MAIN CHANGE GEARS & REVERSE GEARS	81
FIG 406 SUB CHANGE GEARS	83
FIG 407 PINION GEARS	85
FIG 408 P T O DRIVE SHAFT	87
FIG 409 P T O CHANGE GEARS	89
FIG 410 DIFF LOCK	91
FIG 411 TRANSMISSION REAR CASE	93
FIG 412 REAR AXLE HOUSINGS(1)	95
FIG 413 REAR AXLE HOUSINGS(2)	97
FIG 414 MAIN CHANGE LEVER	99
FIG 415 SUB CHANGE LEVER	101
FIG 416 REVERSE LINK	103
FIG 417 REVERSE CHANGE LEVER	105
FIG 418 4WD CHANGE LEVER	107

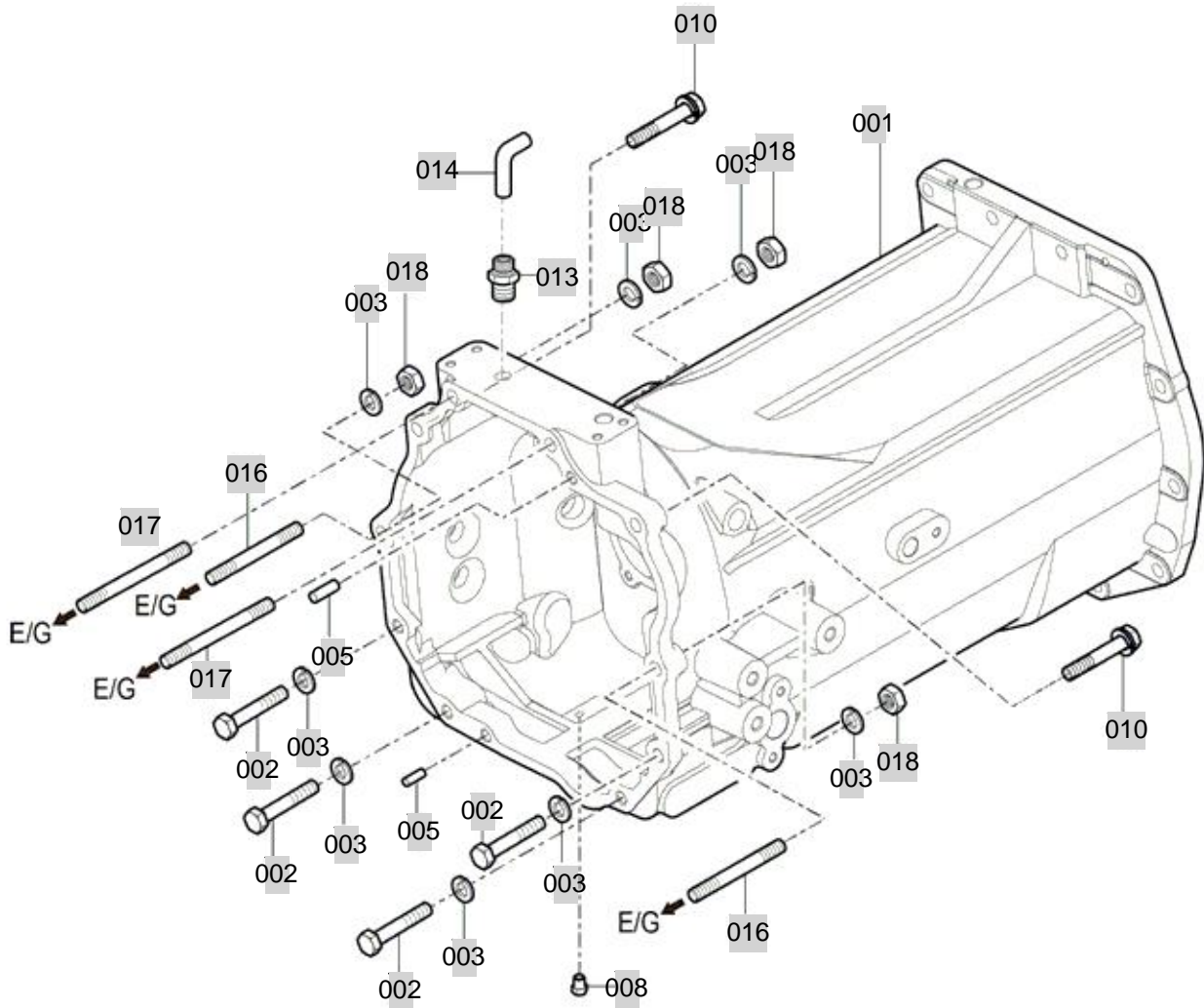
FIG 401

T394ST

TRANSMISSION FRONT CASE

년/월
Year/Month

2020.07



T345-E-401

NOTE

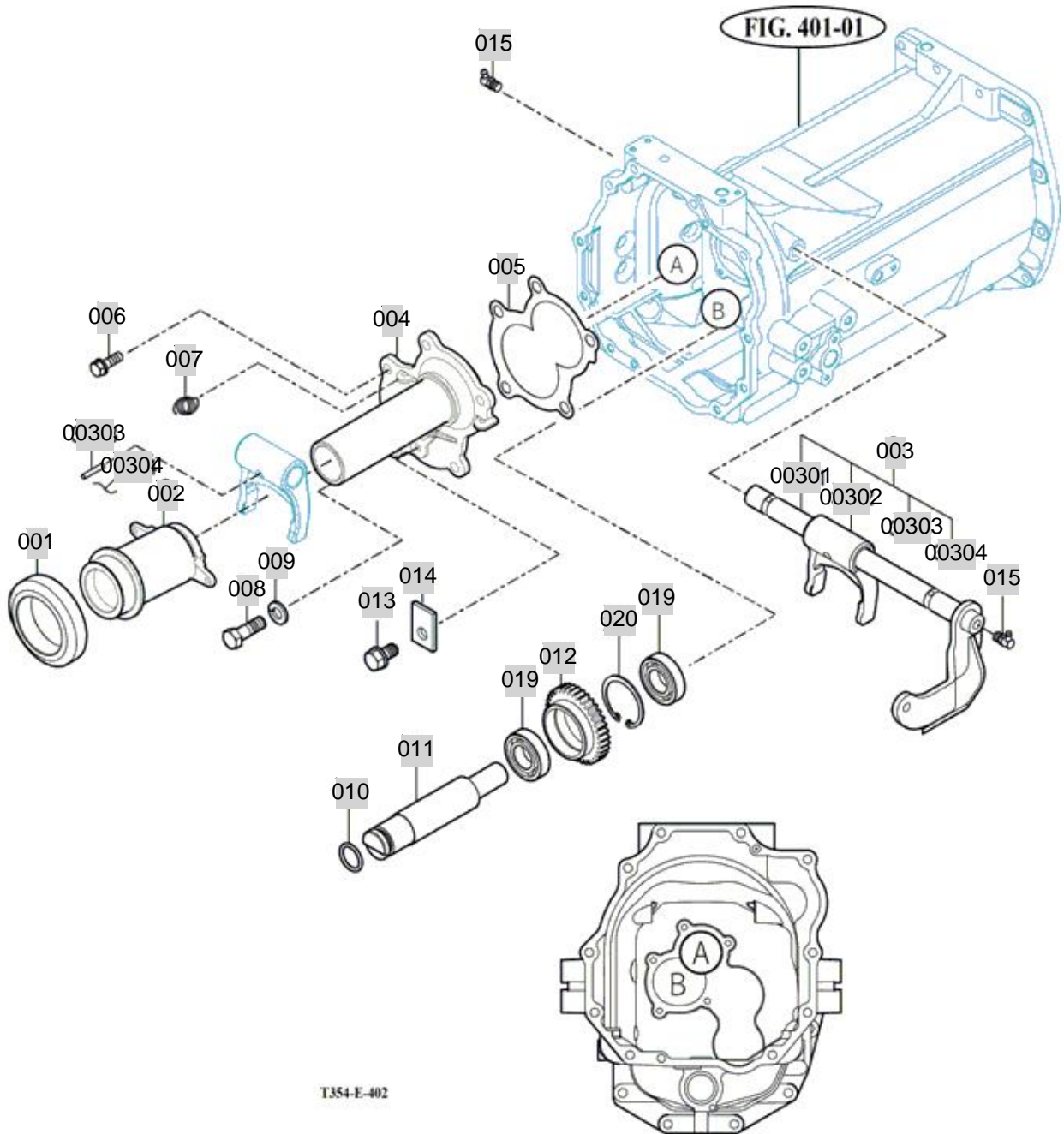
FIG 402

T394ST

INPUT METAL

년/월
Year/Month

2020.07



NOTE

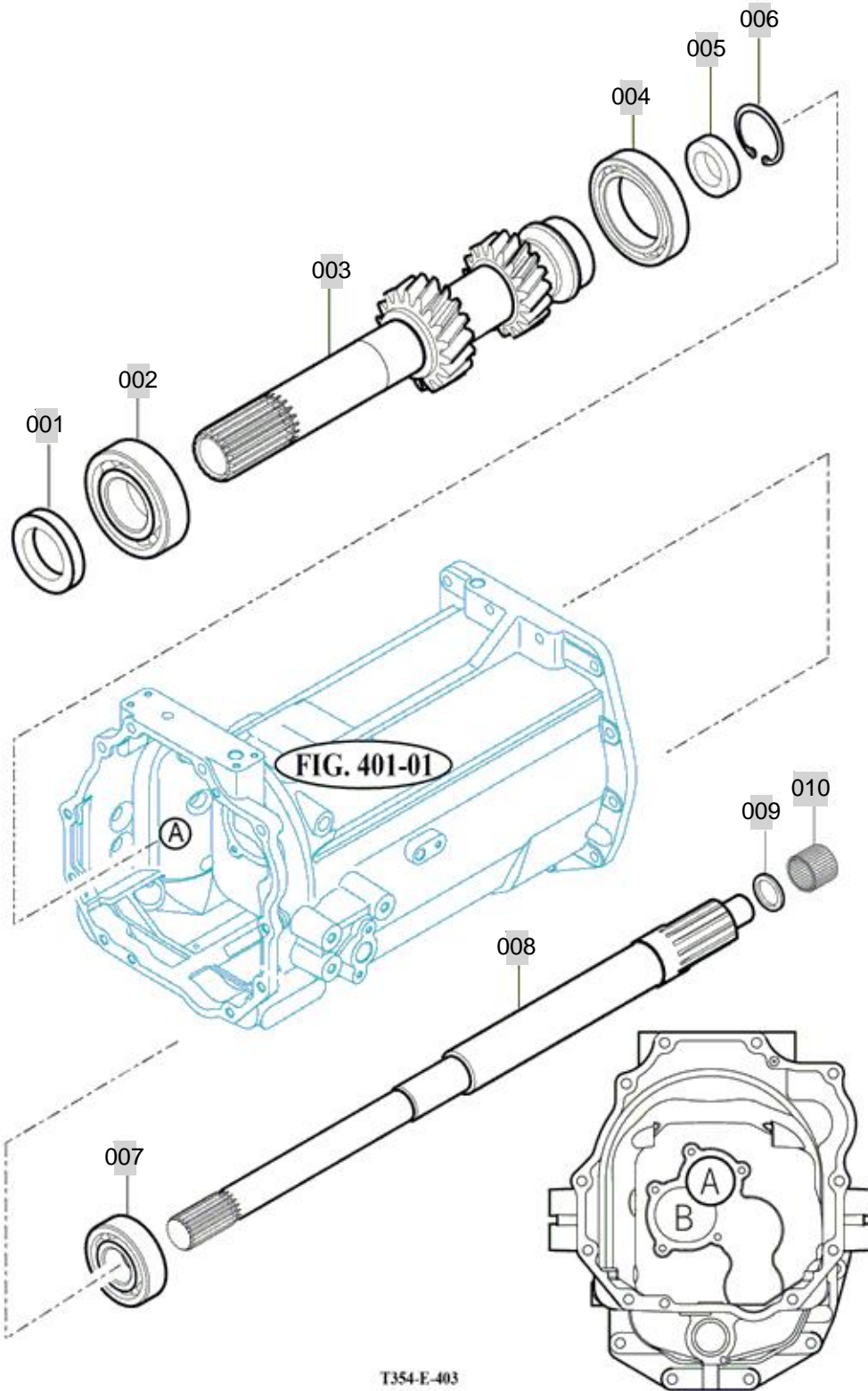
FIG 403

INPUT GEAR

년/월
Year/Month

2020.07

T394ST



NOTE

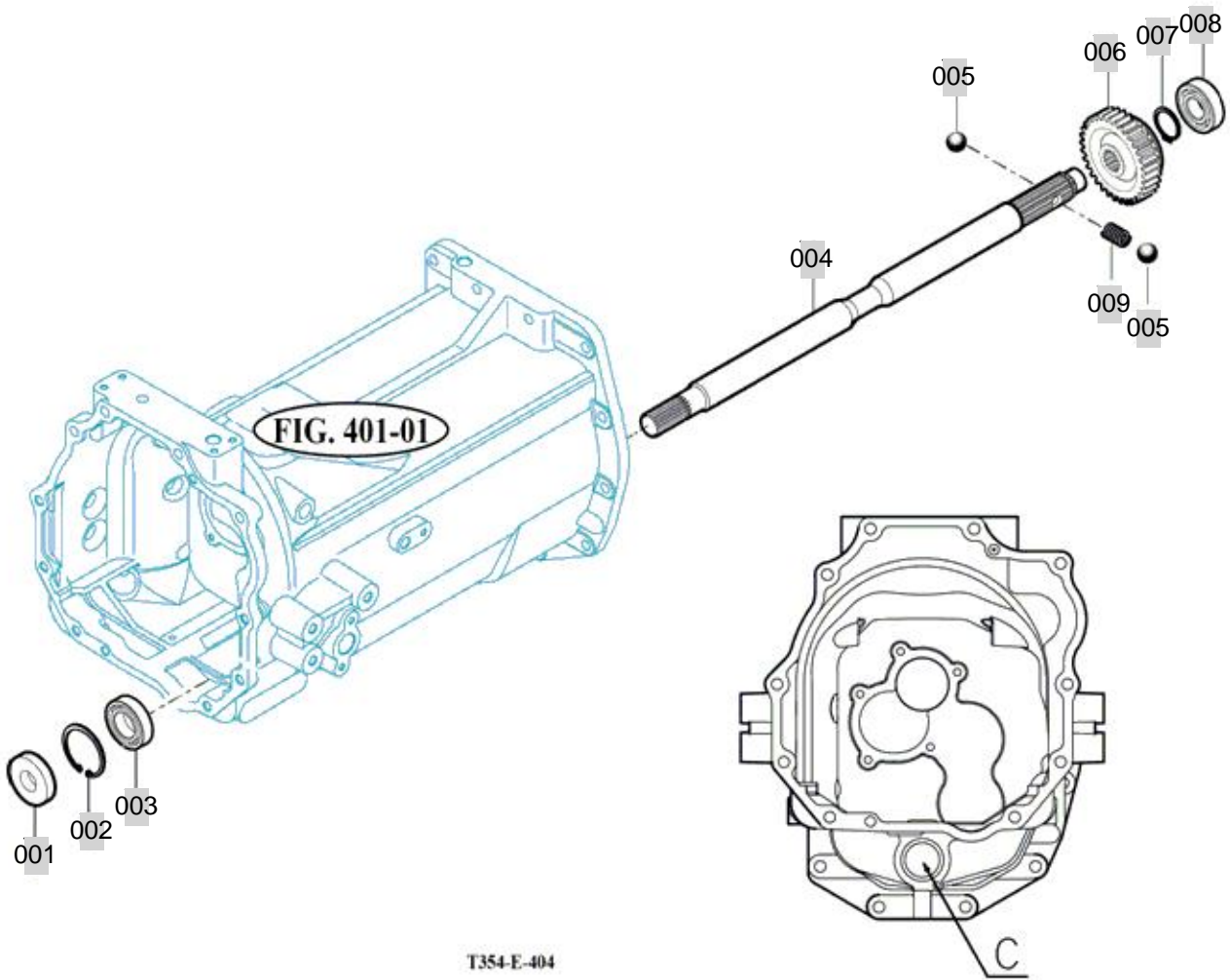
FIG 404

4WD DRIVE GEAR

년/월
Year/Month

T394ST

2020.07



NOTE

FIG 404		4WD DRIVE GEAR					년/월 Year/Month	
T394ST							2020.07	
KEY NO	PART NO	DESCRIPTION	SPEC	QTY	REPAIR	EFFECTIVE DATE	REMARKS	
404	001	V7441254708	SEAL , OIL/D	D254708	1			
404	002	V7051400470	C-RING , HOLE	47	1			
404	003	V6001106005	BEARING , BALL	6005	1			
404	004	16702610042	SHAFT , 4WD DRIVE	D=30	1			
404	005	V6802000010	BALL , STEEL	5/16	2			
404	006	16702610023	4WD GEAR , SPUR 28T	1X1X1	1			
404	007	V7041400280	C-RING , SHAFT	28	1			
404	008	V6001106204	BEARING , BALL	6204	1			
404	009	13022250030	SPRING , SHIFTER	D=1.4	1	20070201		
NOTE								

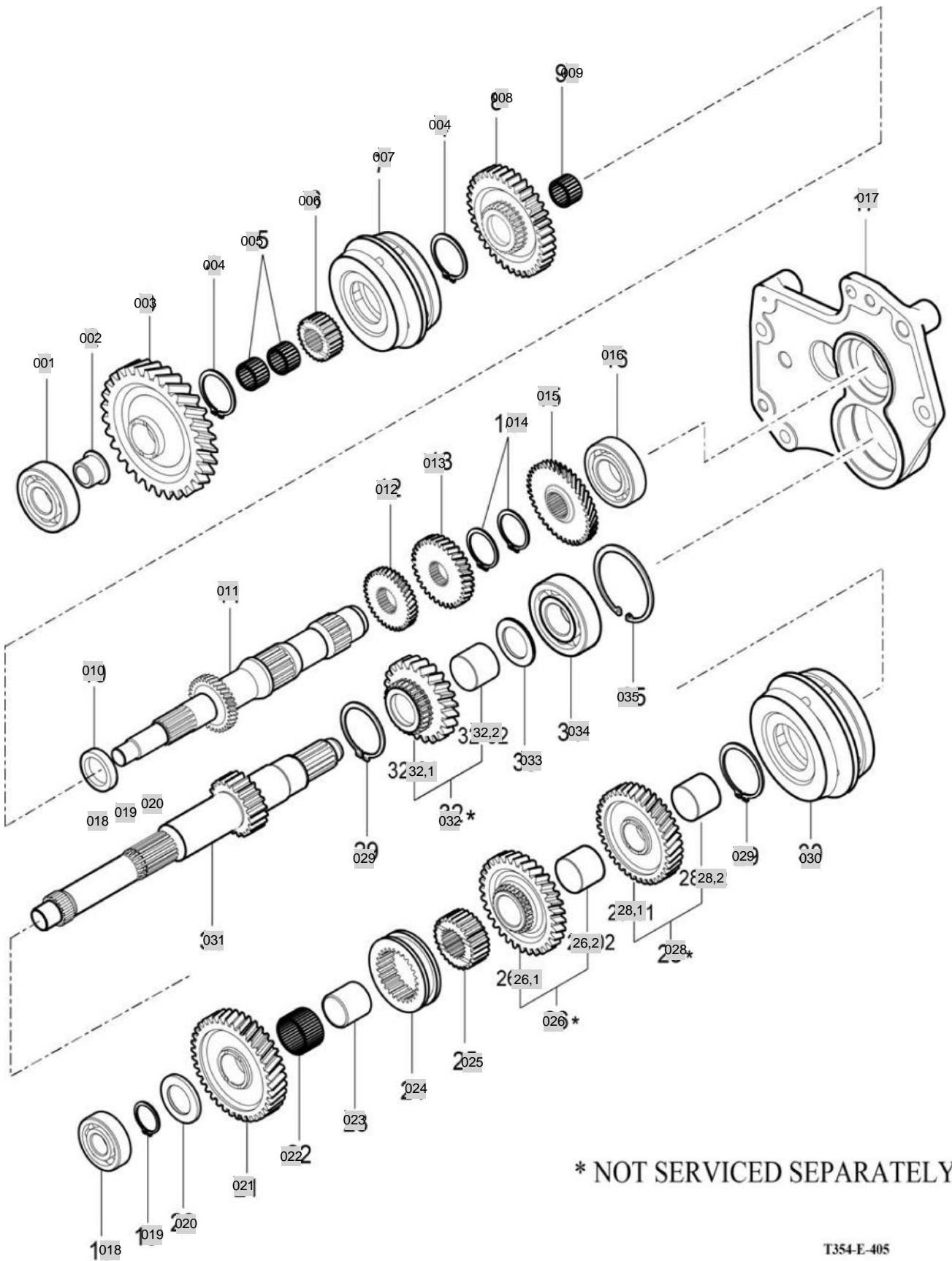
FIG 405

MAIN CHANGE GEARS & REVERSE GEARS

년/월
Year/Month

2020.07

T394ST



* NOT SERVICED SEPARATELY

T354-E-405

NOTE

FIG 405		MAIN CHANGE GEARS & REVERSE GEARS						년/월 Year/Month
T394ST								2020.07
KEY NO	PART NO	DESCRIPTION	SPEC	QTY	REPAIR	EFFECTIVE DATE	REMARKS	
405	001	V6041106305	BEARING , BALL/HL1	6305HL1	1			
405	002	16702142010	BUSH , 17X25X19	1X1X1	1			
405	003	16702131021	GEAR , HELICAL 42T	1X1X1	1			
405	004	V7041400400	C-RING , SHAFT	40	2			
405	005	V6544202612	BEARING , NEEDLE CAGED	KT202612	2			
405	006	16702090021	HUB , 25X51X20	1X1X1	1			
405	007	14482092100	SYNCHRONIZER ASSY	1X1X1	1			
405	008	16702131033	GEAR , SPUR/41T	1X1X1	1			
405	009	V6544283313	BEARING , NEEDLE.ROLLER	KT283313	1			
405	010	16702130031	WASHER , 27X39X2.8	1X1X1	1			
405	011	16702110013	GEAR , HELICAL 17T	1X1X1	1			
405	012	14572220050	GEAR , HELICAL 21T		1			
405	013	14572220060	GEAR , HELICAL 24T		1			
405	014	V7041400350	C-RING , SHAFT	35	2			
405	015	14572220020	GEAR , HELICAL 29T		1			
405	016	V6041106206	BEARING , BALL/HL1	6206HL1	1			
405	017	16702200201M	METAL , BEARING	1X1X1	1			
405	018	V6041106304	BEARING , BALL/HL1	6304HL1	1			
405	019	V7041400280	C-RING , SHAFT	28	1			
405	020	16702210021	WASHER , 28X46X05	1X1X1	1			
405	021	16702211042	GEAR , HELICAL 40T	1X1X1	1			
405	022	V6544323723	BEARING , NEEDLE CAGED	KT323723	1			
405	023	15602080093	BUSH , 28X32X31		1			
405	024	15602080224	COUPLING , 51X72X18		1	20110701		
405	025	15682090020	HUB , 28X51X21	1X1X1	1			
405	026	16702211200	GEAR ASSY , HELICAL 36T	1X1X1	1			
405	02601	16702210070	GEAR , HELICAL 36T	1X1X1	1			
405	02602	16702211910	BUSH , 32X34X28	1X1X1	1			
405	028	16702211500	GEAR ASSY , HELICAL 32T	1X1X1	1			
405	02801	16702210150	GEAR , HELICAL 32T	1X1X1	1			
405	02802	16702211910	BUSH , 32X34X28	1X1X1	1			
405	029	V7041400500	C-RING , SHAFT	50	2			
405	030	16492092001	SYNCHRONIZER ASSY		1			
405	031	16702211014	SHAFT , MAIN SHIFTER		1			
405	032	16702211900	GEAR ASSY , HELICAL 28T	1X1X1	1			
405	03201	16702211020	GEAR , HELICAL 28T	1X1X1	1			
405	03202	16702211910	BUSH , 32X34X28	1X1X1	1			
405	033	15642160041	WASHER , 30X46X3		1			
405	034	V6001106306	BEARING , BALL	6306	1			
405	035	V7051400720	C-RING , HOLE	72	1			
NOTE								

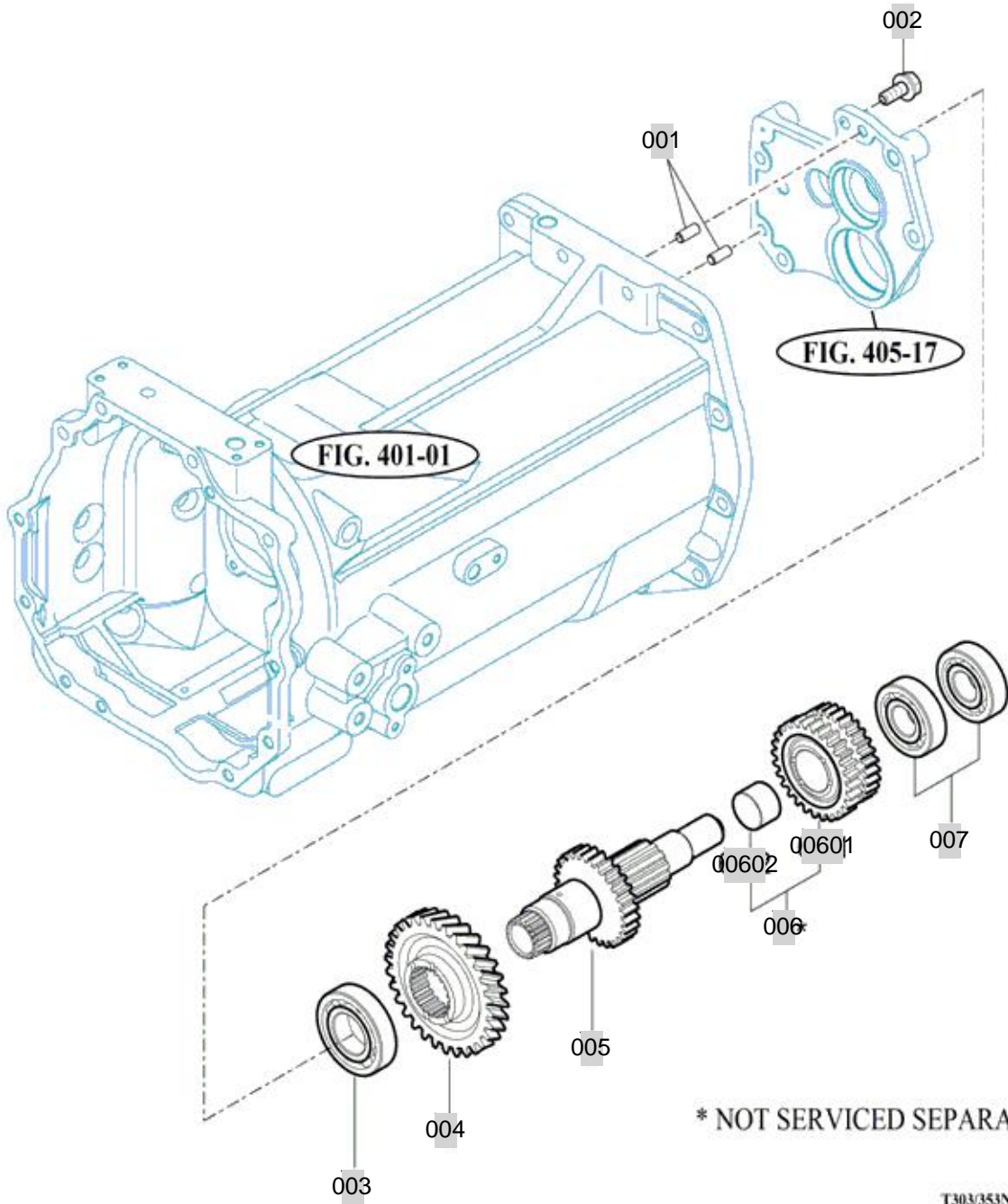
FIG 406

T394ST

SUB CHANGE GEARS

년/월
Year/Month

2020.07



T303/353NC-E-406

NOTE

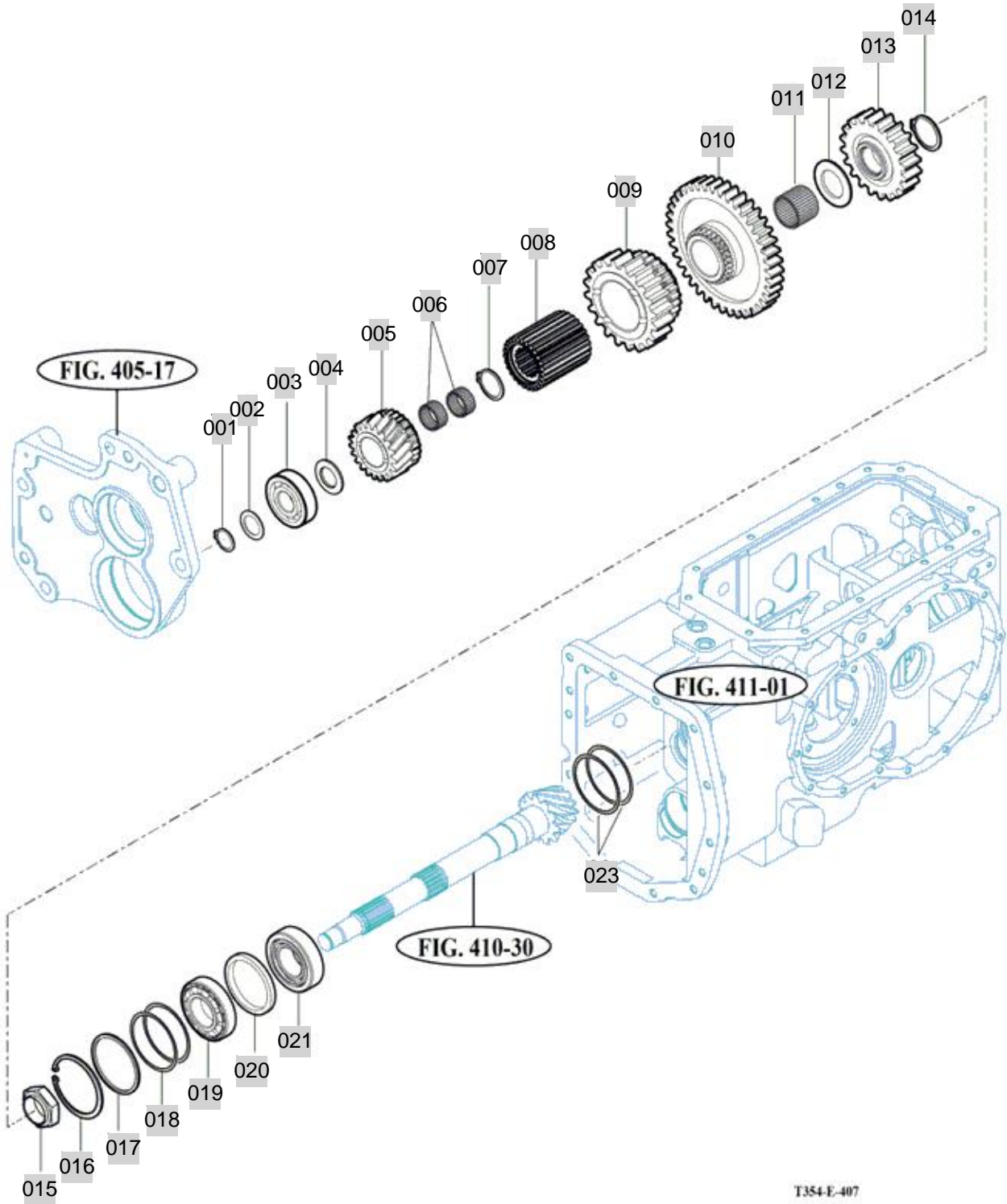
FIG 407

T394ST

PINION GEARS

년/월
Year/Month

2020.07



T354-E-407

NOTE

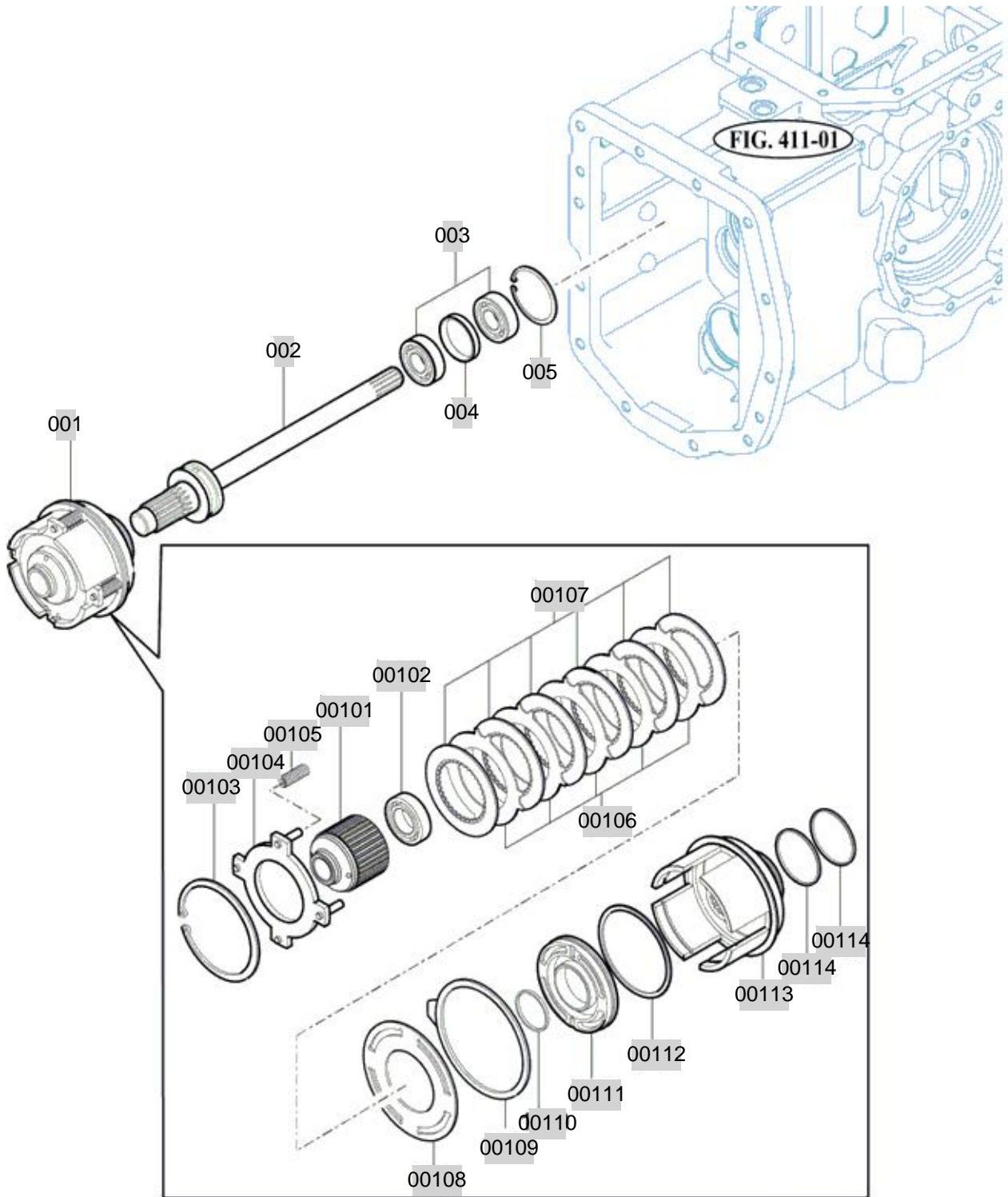
FIG 408

T394ST

P T O DRIVE SHAFT

년/월
Year/Month

2020.07



NOTE

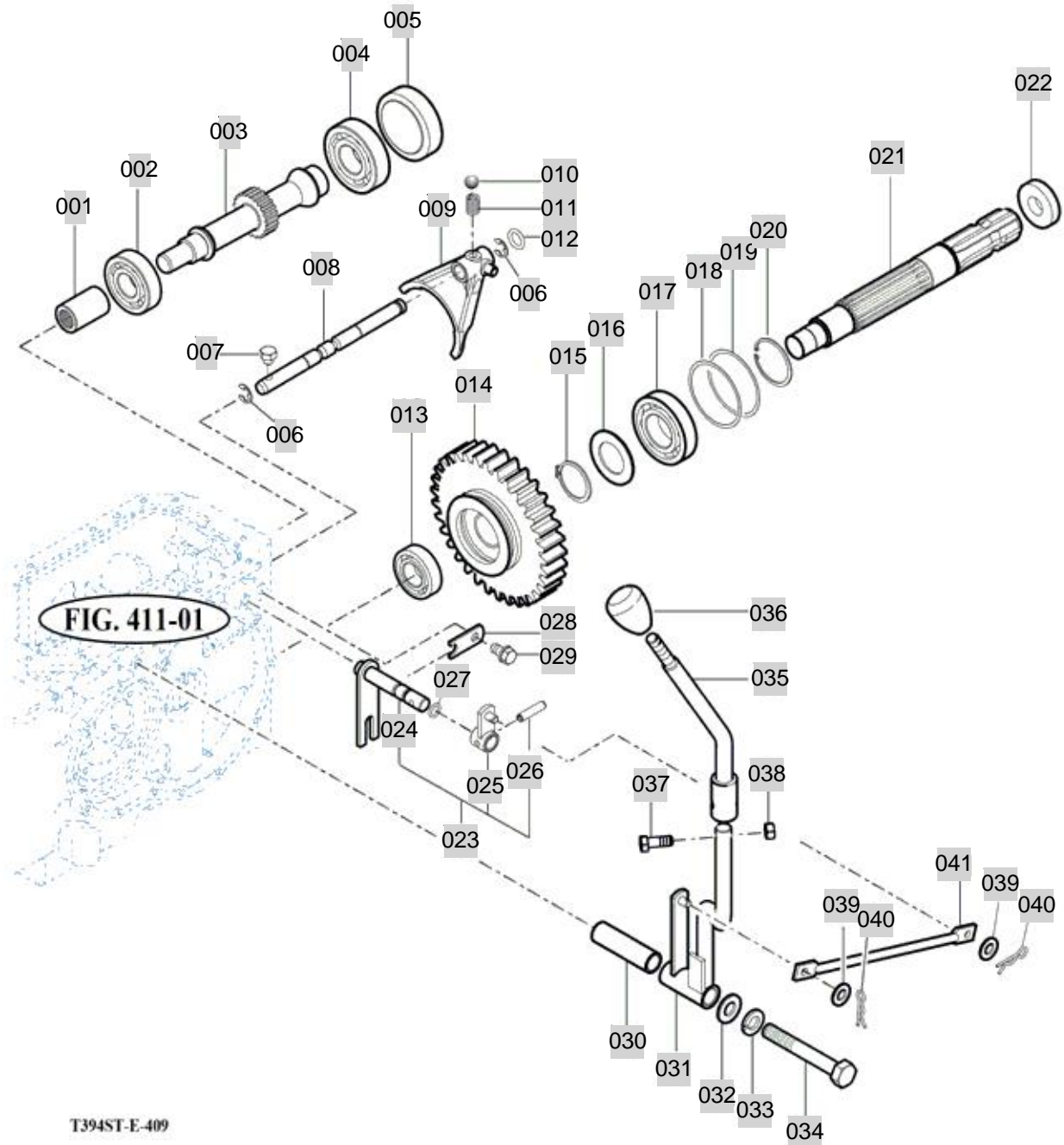
FIG 409

T394ST

P T O CHANGE GEARS

년/월
Year/Month

2020.07



T394ST-E-409

NOTE

FIG 409 T394ST			P T O CHANGE GEARS				년/월 Year/Month 2020.07
KEY NO	PART NO	DESCRIPTION	SPEC	QTY	REPAIR	EFFECTIVE DATE	REMARKS
409	001	14211340190	COUPLING	22X51	1		20100702
409	002	V6001106305	BEARING , BALL	6305	1		
409	003	13212543530	GEAR , SPUR PTO 11	1X1X1	1		
409	004	V6001106306	BEARING , BALL	6306	1		
409	005	14254330180	CAP , 72		1		
409	006	V7081400100	E-RING	10	2		
409	007	15602231610	BOLT , SET M8X16	M8X16	1		
409	008	13212540020	STAY , PTO SHIFT	1X1X1	1		
409	009	16702540011M	FORK , PTO	1X1X1	1		
409	010	V6802000010	BALL , STEEL	5/16	1		
409	011	13022250030	SPRING , SHIFTER	D=1.4	1		20070201
409	012	V7201024010	O-RING , P	P10	1		
409	013	V6001106205	BEARING , BALL	6205	1		
409	014	13212543500	GEAR ,SPUR(PTO 54T)	1X1X1	1		
409	015	V7041400350	C-RING , SHAFT	35	1		
409	016	14443140041	COLLAR , 35X50X2	T=2	1		
409	017	V6001106207	BEARING , BALL	6207	1		
409	018	79642010080	SHIM , B		2		
409	019	16322730030	SHIM , 0.5	T=0.5	1		
409	020	V7051400720	C-RING , HOLE	72	1		
409	021	16703140011	SHAFT , PTO	1X1X1	1		
409	022	16322732000	SEAL ASSY , OIL		1		
409	023	16702555102	HOOK SET , RR PTO	1X1X1	1		
409	024	16702542102	HOOK COMP , RR PTO	1X1X1	1		
409	025	16702432201	ARM COMP , RANGE	1X1X1	1		
409	026	V5801406025	PIN , SPRING	6X25	1		
409	027	V7201024012	O-RING , P	P12	1		
409	028	16702230371	PLATE	T=3	1		
409	029	V2173608016	BOLT , HEX/S	M8X16	1		20120501
409	030	16702440070	HIB(13*17*61)	17.3*2.35	1		20060922
409	031	16702552102	LEVER COMP , PTO/DOWN	1X1X1	1		
409	032	V4111600120	WASHER , PLAIN	M12	1		20050901
409	033	V4011600120	WASHER , SPRING	M12	1		
409	034	V2013612085	BOLT , HEX	M12X85	1		
409	035	16702552201GB	LEVER COMP ,PTO(UP)	1X1X1	1		
409	036	15442190050	GRIP , LEVER 12		1		
409	037	V2013608035	BOLT , HEX	M8X35	1		20030601
409	038	V3042600080	NUT , HEX/2	M8	1		20081201
409	039	V4111600080	WASHER , PLAIN	M8	2		20081201
409	040	V5601600008	PIN , SNAP	8	2		
409	041	16702553100	ROD , 236	D=9	1		
NOTE							

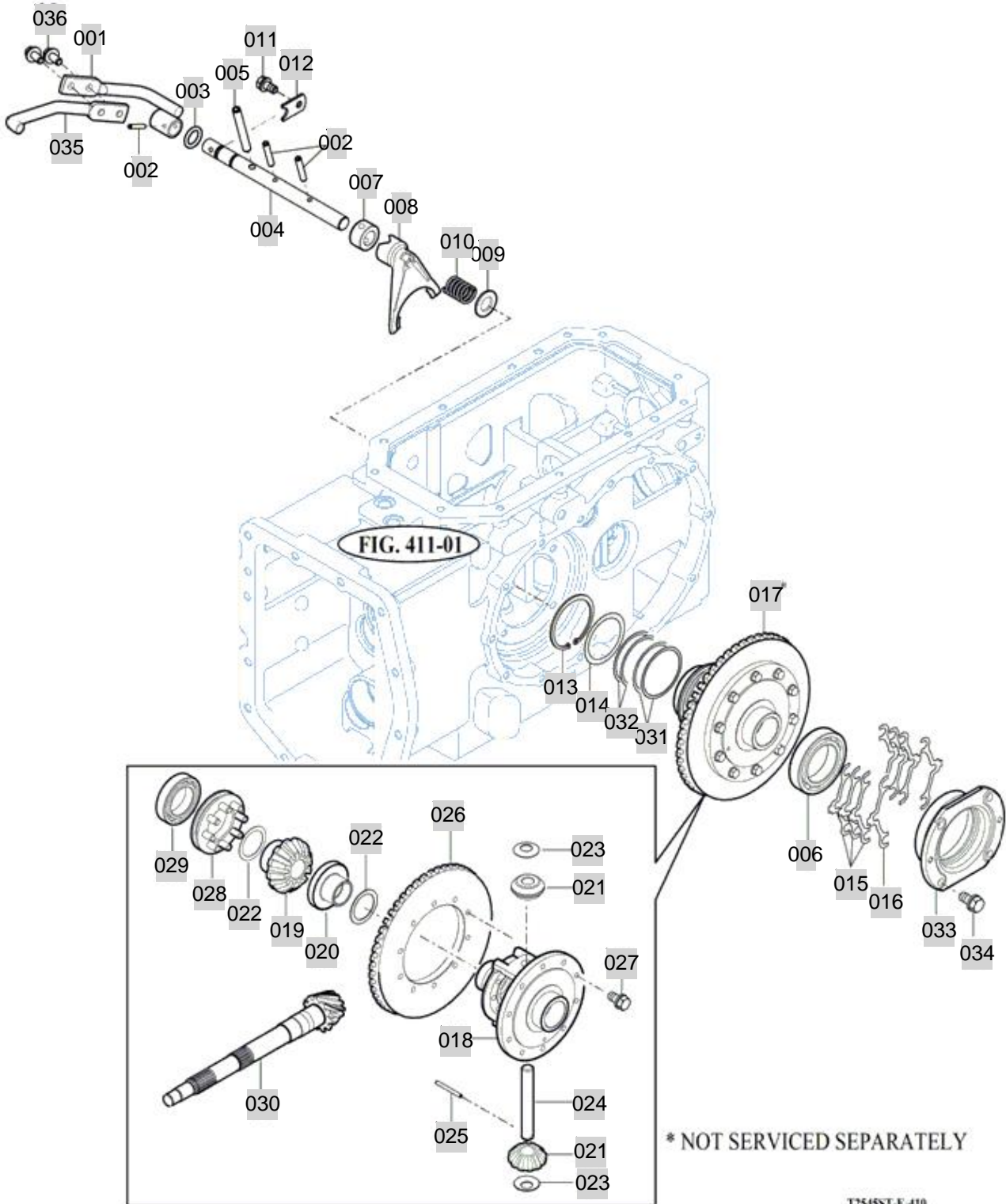
FIG 410

T394ST

DIFF LOCK

년/월
Year/Month

2020.07



* NOT SERVICED SEPARATELY

T254ST-E-410

NOTE

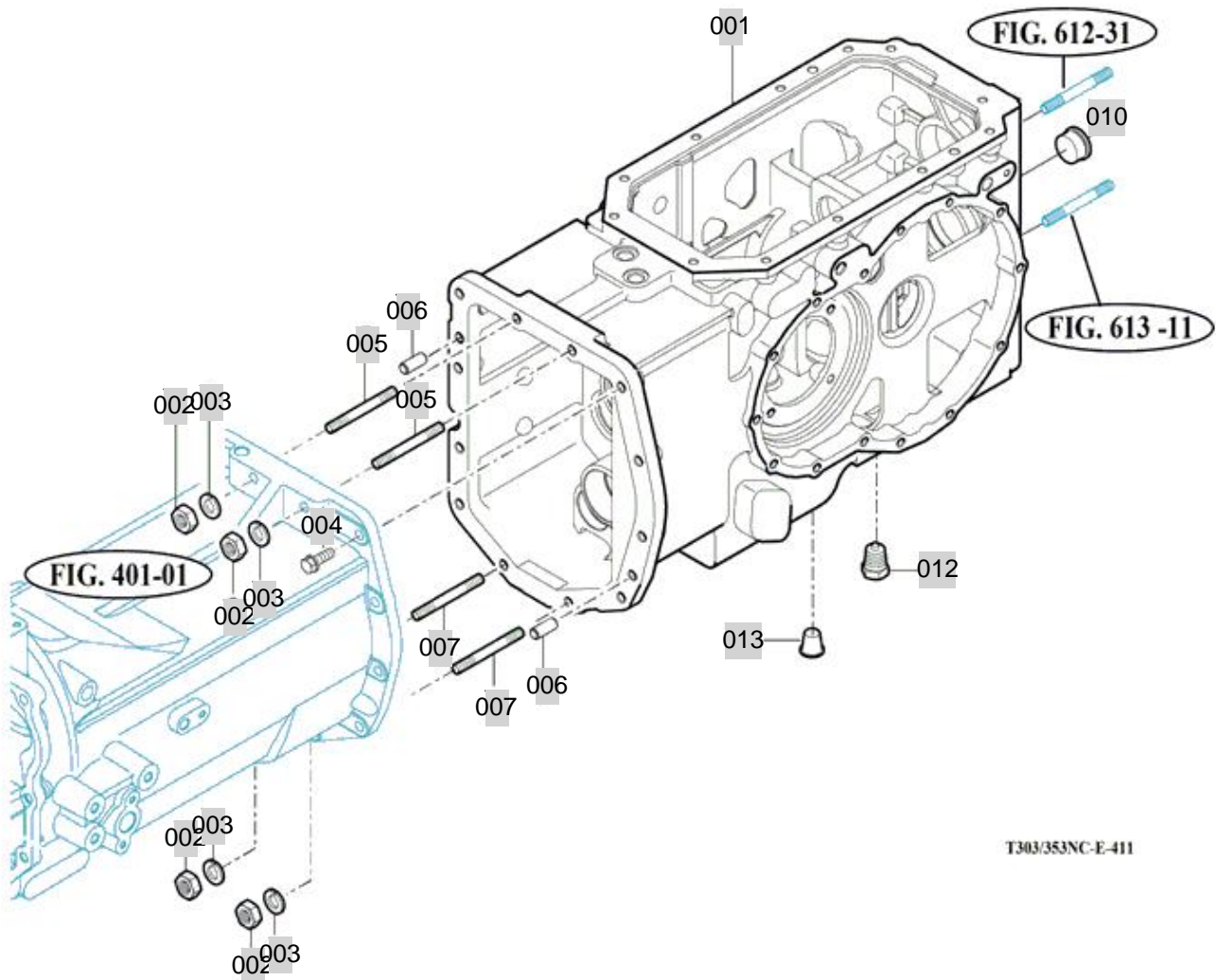
FIG 411

T394ST

TRANSMISSION REAR CASE

년/월
Year/Month

2020.07



T303/353NC-E-411

NOTE

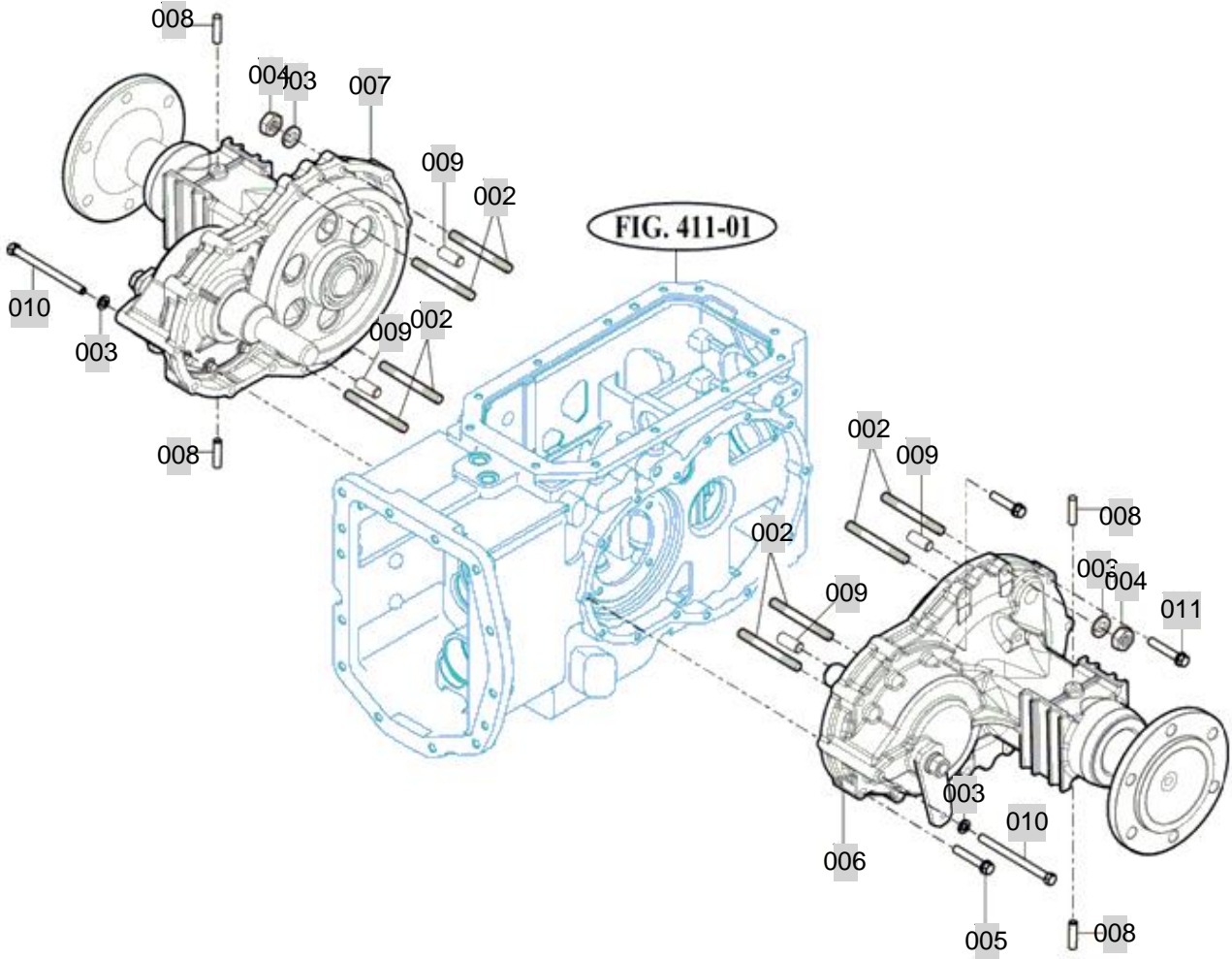
FIG 412

T394ST

REAR AXLE HOUSINGS(1)

년/월
Year/Month

2020.07



2548ST-E-412

NOTE

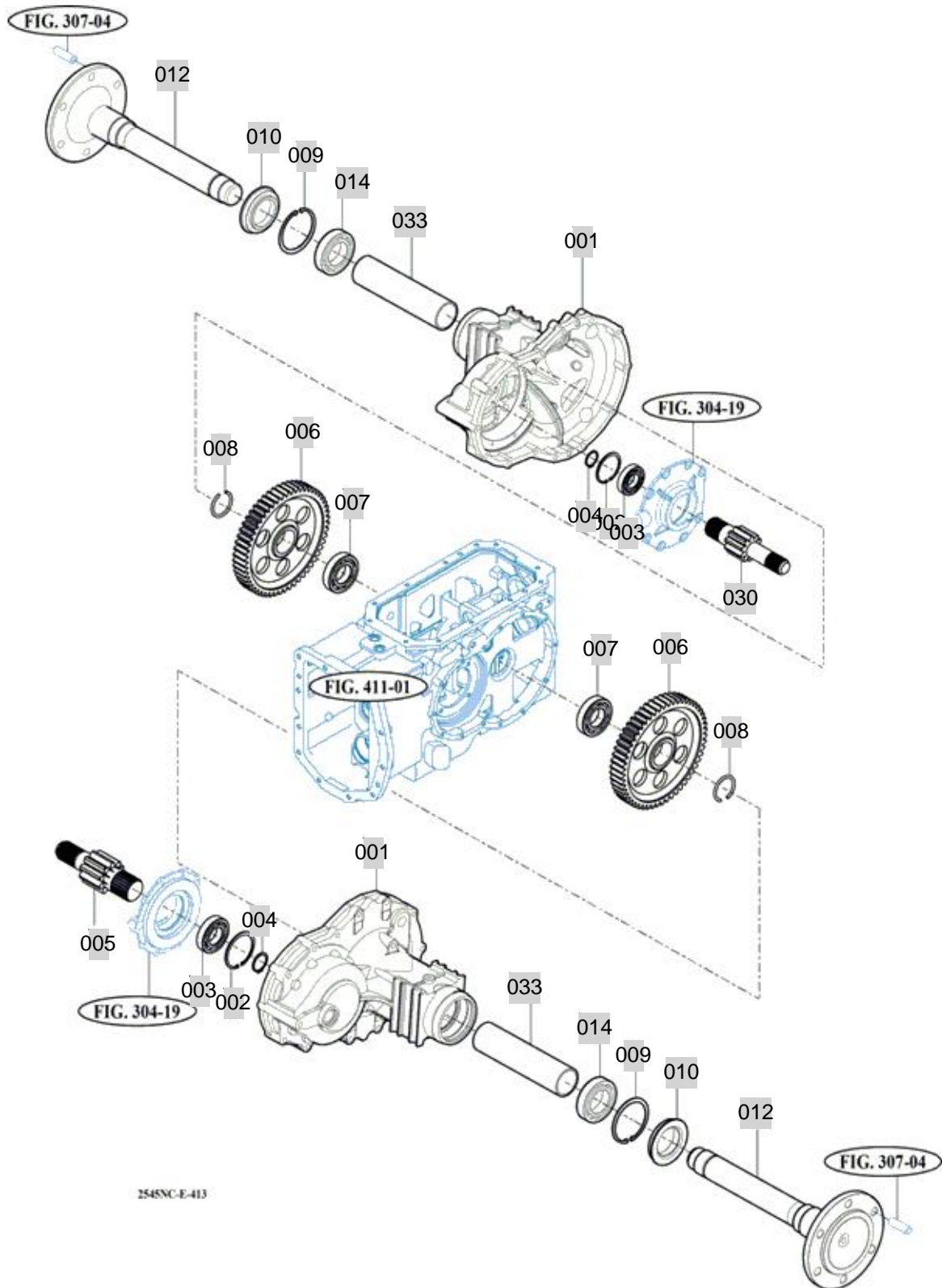
FIG 413

T394ST

REAR AXLE HOUSINGS(2)

년/월
Year/Month

2020.07



254SNC-E-413

NOTE

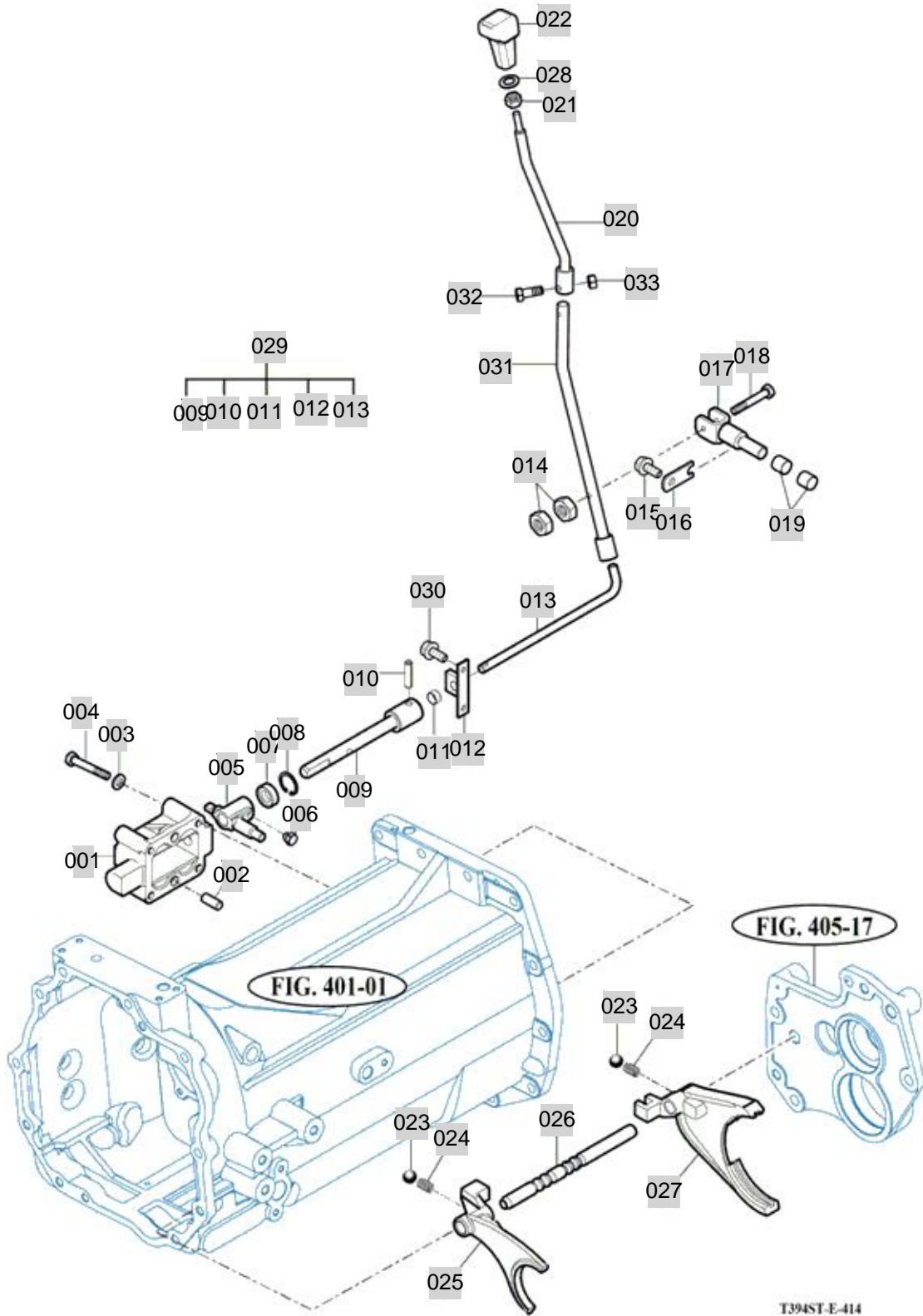
FIG 414

T394ST

MAIN CHANGE LEVER

년/월
Year/Month

2020.07



NOTE

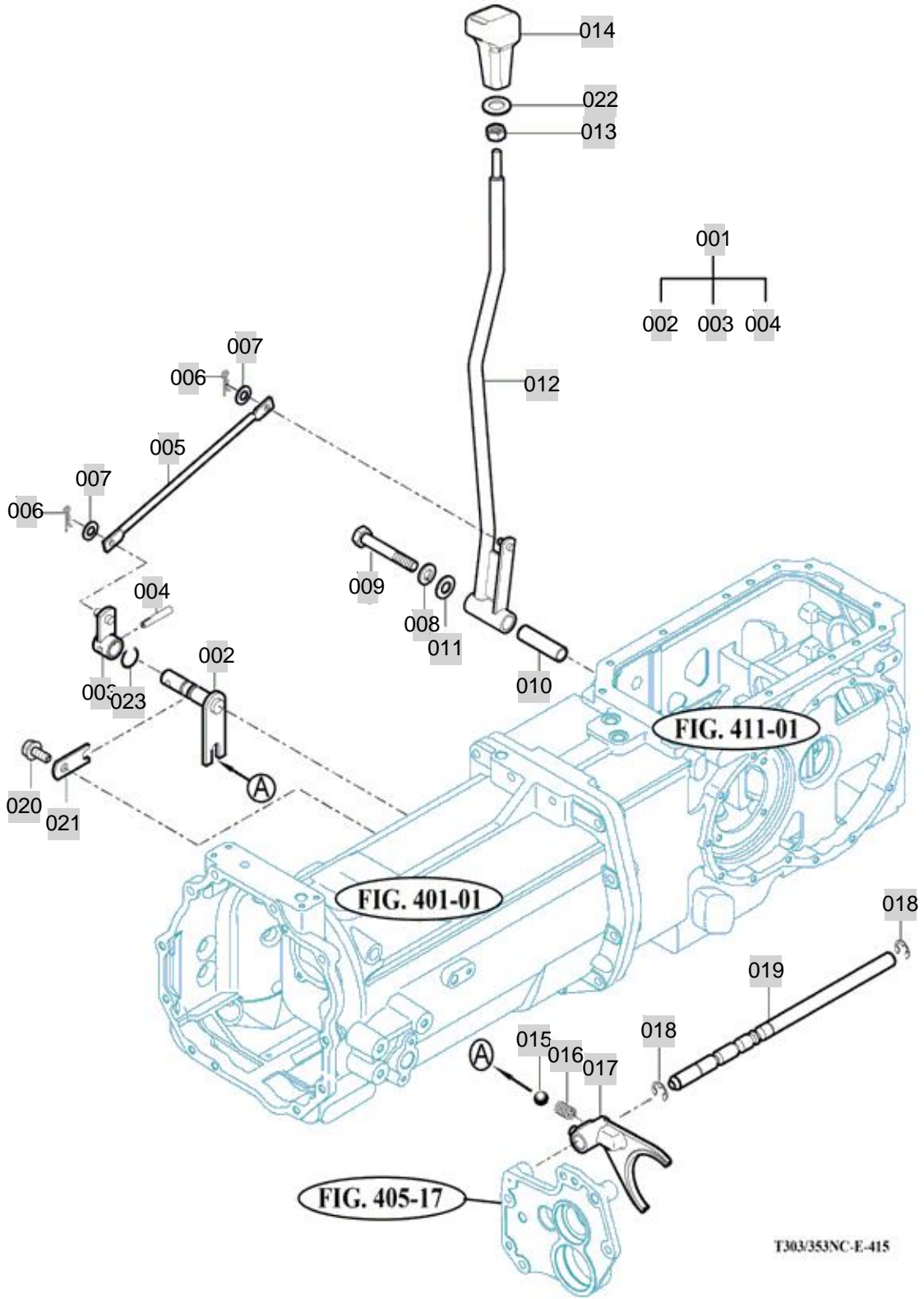
FIG 415

SUB CHANGE LEVER

년/월
Year/Month

2020.07

T394ST



T303353NC-E-415

NOTE

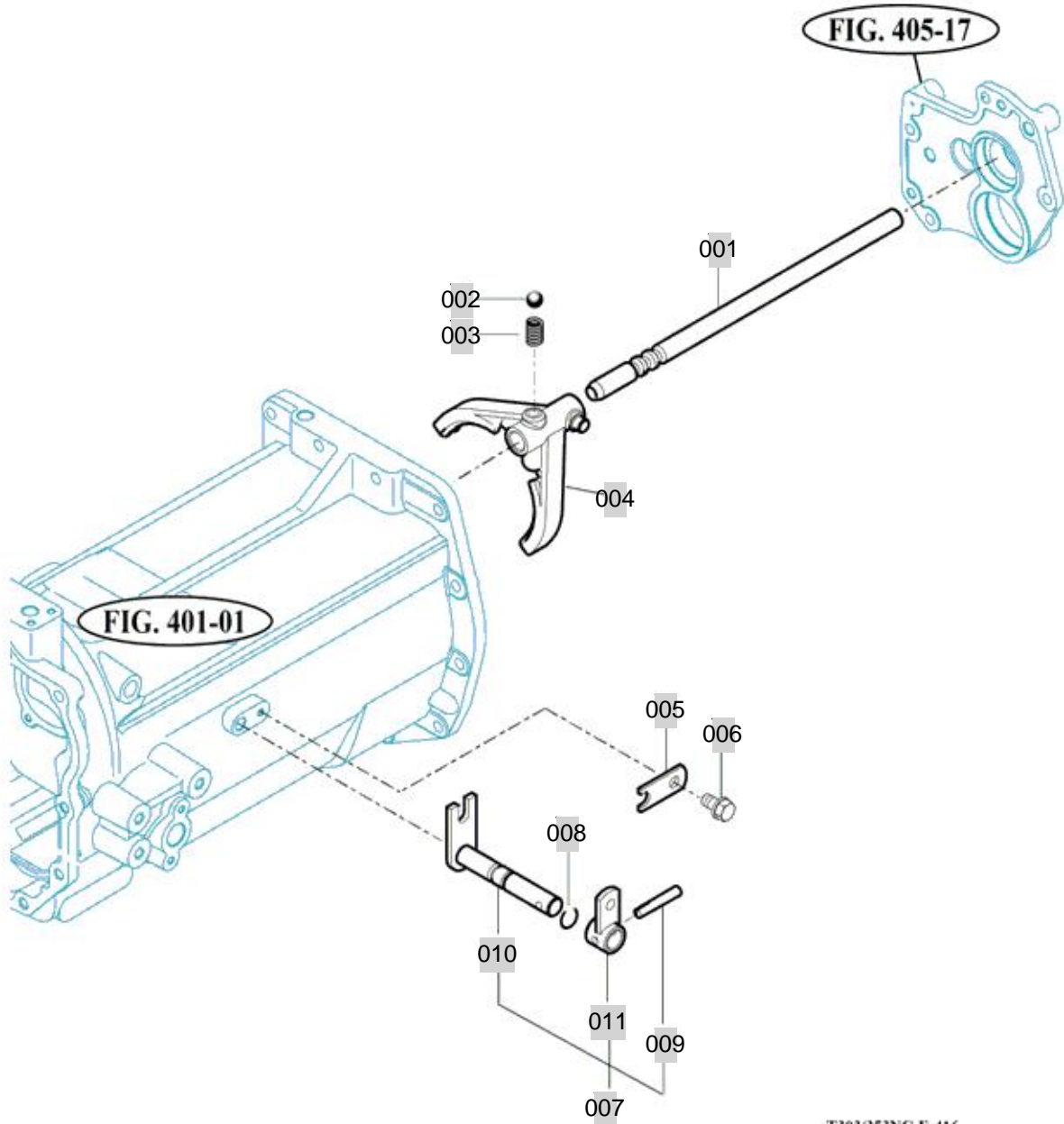
FIG 416

T394ST

REVERSE LINK

년/월
Year/Month

2020.07



T303/353NC-E-416

NOTE

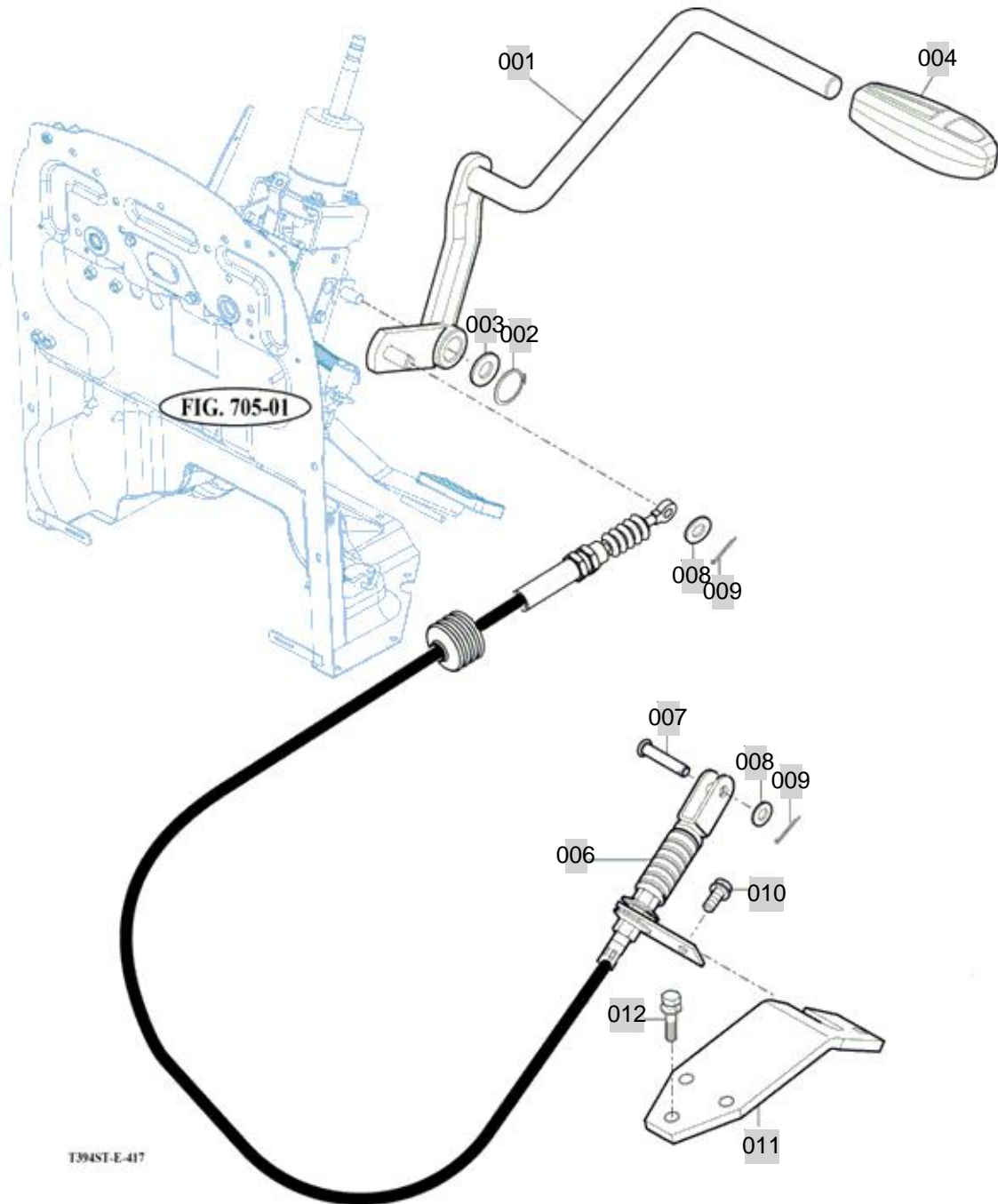
FIG 417

T394ST

REVERSE CHANGE LEVER

년/월
Year/Month

2020.07



NOTE

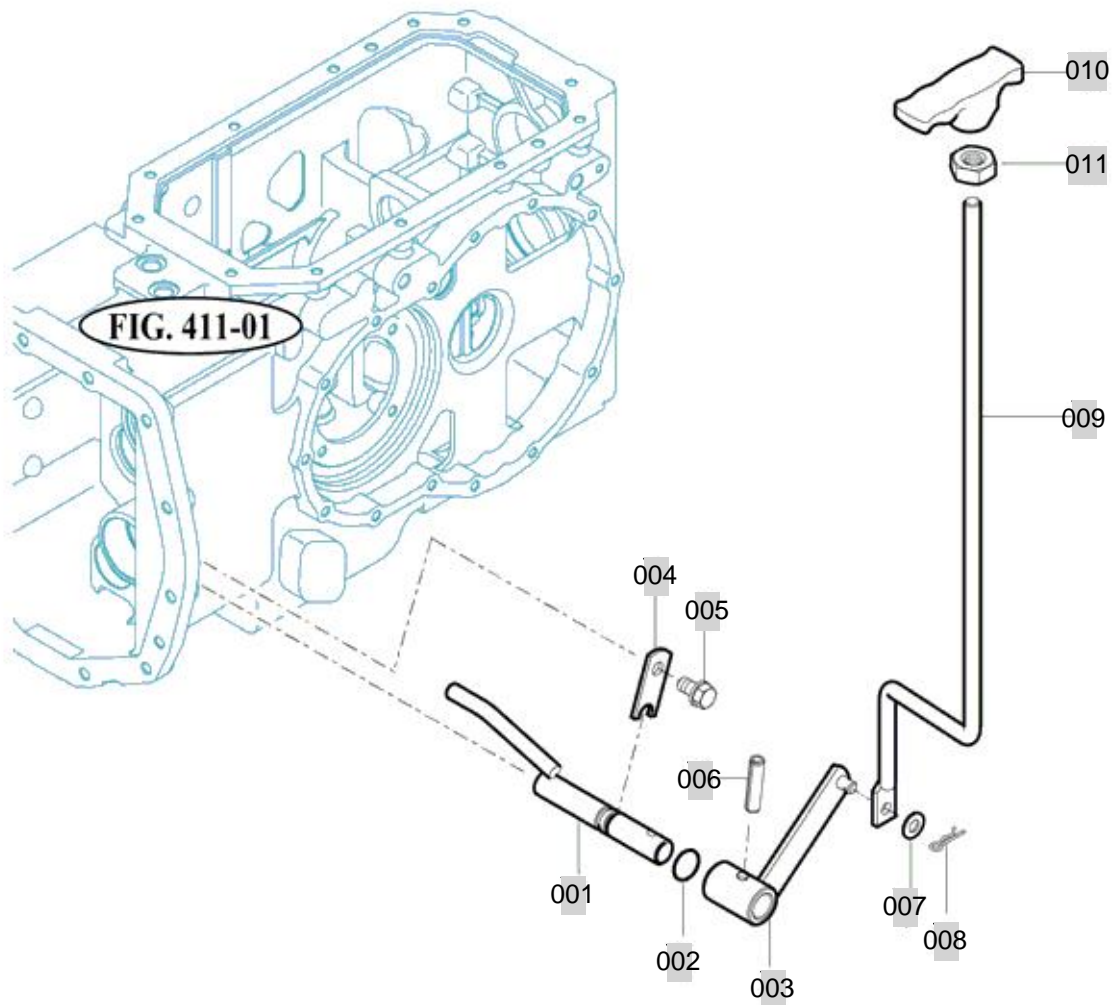
FIG 418

4WD CHANGE LEVER

년/월
Year/Month

T394ST

2020.07



T303/353NC-E-418

NOTE

5. FRONT AXLE PART NO. T394ST-C5

FIG 501 FRONT AXLE BRACKET	110
FIG 502 FRONT DIFFERENTIAL GEARS	112
FIG 503 FRONT AXLE HOUSING	114
FIG 504 FRONT GEAR CASE (1)	116
FIG 505 FRONT GEAR CASE (2)	118

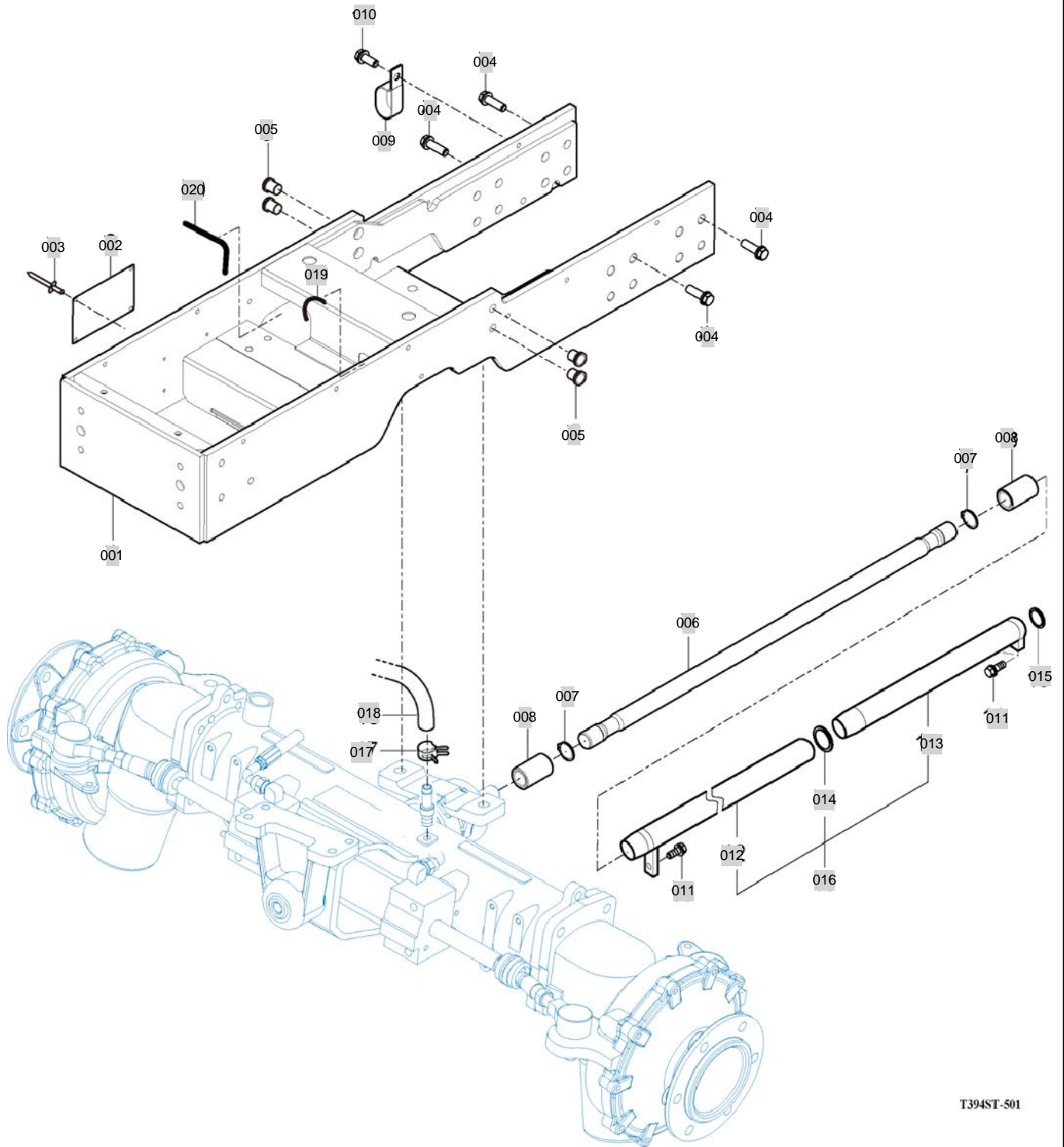
FIG 501

FRONT AXLE BRACKET

년/월
Year/Month

2020.07

T394ST



NOTE

FIG 502

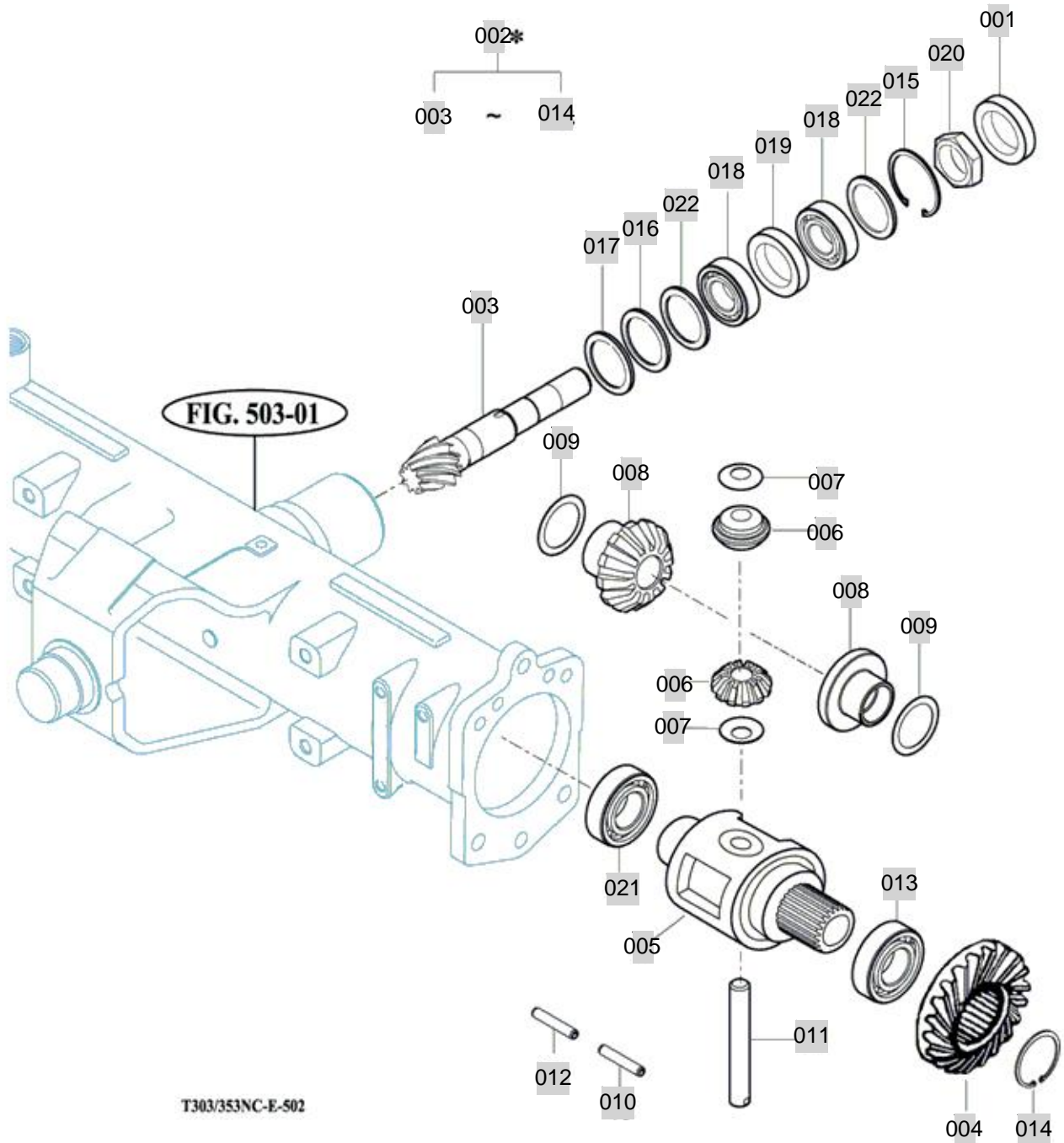
T394ST

FRONT DIFFERENTIAL GEARS

년/월
Year/Month

2020.07

* NOT SERVICED SEPARATELY



NOTE

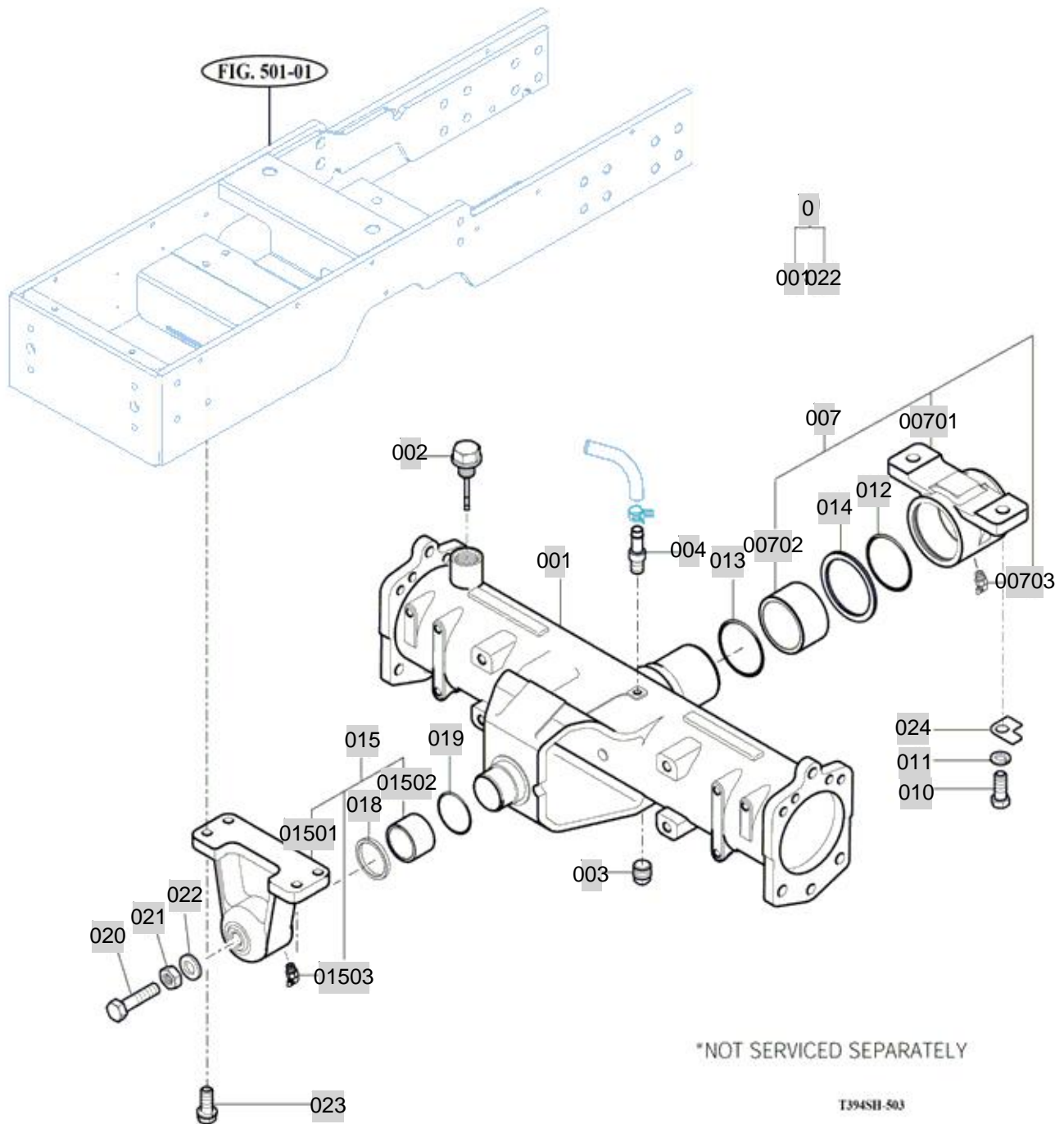
FIG 503

FRONT AXLE HOUSING

년/월
Year/Month

T394ST

2020.07



NOTE

FIG 503		FRONT AXLE HOUSING						년/월	REMARKS
T394ST								Year/Month	
								2020.07	
KEY NO	PART NO	DESCRIPTION	SPEC	QTY	REPAIR	EFFECTIVE DATE	REMARKS		
503	001	14524322000M	HOUSING , FRONT AXLE			20060901			
503	002	12394125100	CAP ASSY , OIL						
503	003	V7811600008	PLUG , SQUARE	R1/2					
503	004	16702140012M	FORK , SHIFTER SHUTTLE	1X1X1					
503	007	16704362201	METAL ASSY , PIVOT	1X1X1		20031115			
503	00701	16704362211M	METAL , PIVOT RR	1X1X1					
503	00702	16704332220	BUSH , 50X55X20						
503	00703	V7631500000	NIPPLE , GREASE/B-PT	B-PT1/8					
503	010	V2004616050	BOLT , HEX	M16X50					
503	011	V4011600160	WASHER , SPRING	M16		20081226			
503	012	V7201035040	O-RING , P	P40					
503	013	V7211031080	O-RING G	G80					
503	014	16704310040	SPACER , R						
503	015	16704332101	METAL ASSY , PIVOT	1X1X1		20031115			
503	01501	16704332111M	METAL , PIVOT FR	1X1X1					
503	01502	16704362221	BUSH , 75X80X30						
503	01503	V7631500000	NIPPLE , GREASE/B-PT	B-PT1/8					
503	018	16704020020	SPACER (F)	49X4.6					
503	019	V7211031055	O-RING , G	G55					
503	020	V2014616050	BOLT , HEX	M16X50					
503	021	V3052600160	NUT , HEX/3	M16					
503	022	14444120090	WASHER , SEAL	WD16263.5					
503	023	V2173612040	BOLT , HEX/S	M12X40					
503	024	14051060030	WASHER	T=1.2					
NOTE									

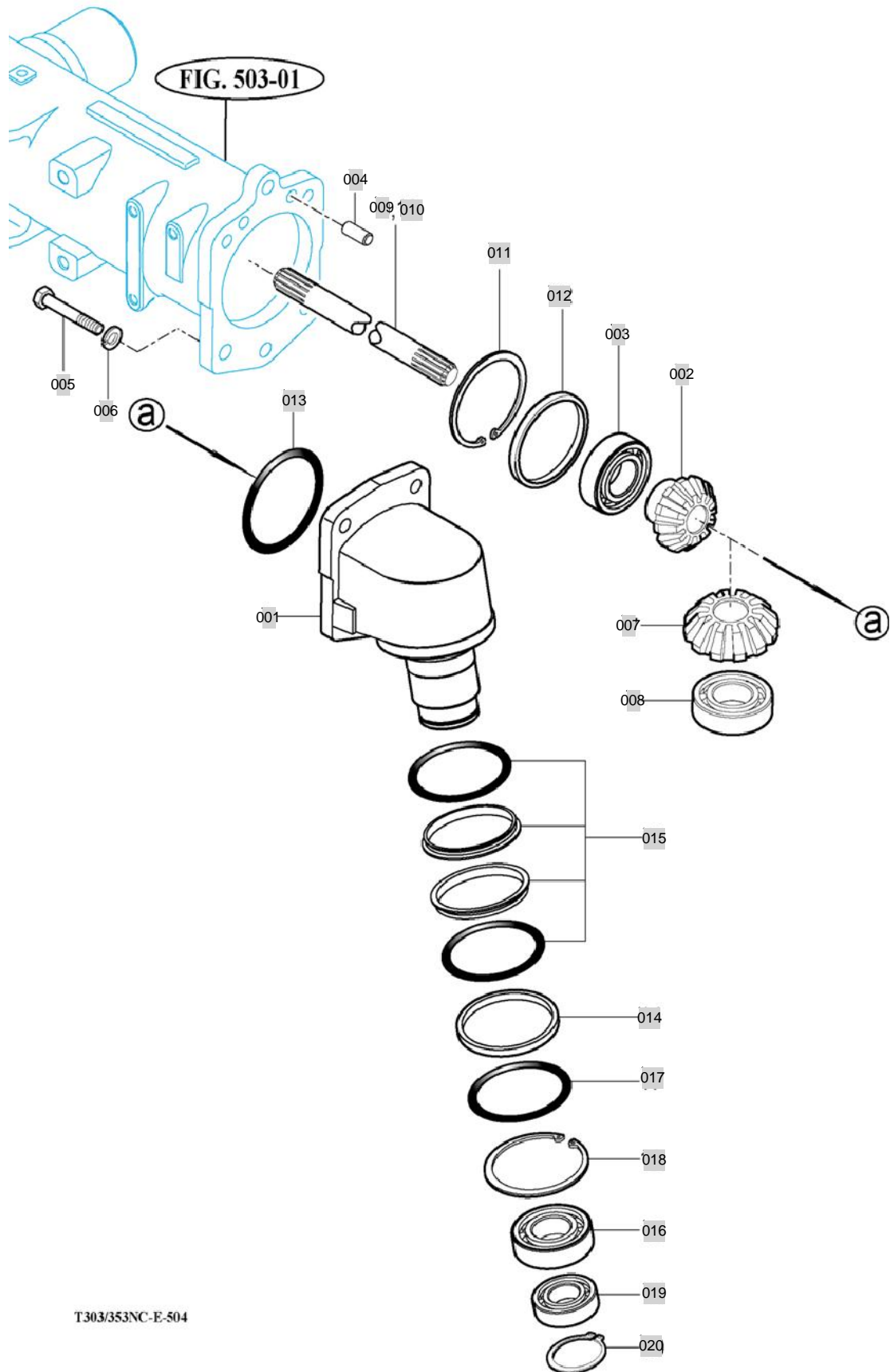
FIG 504

T394ST

FRONT GEAR CASE (1)

년/월
Year/Month

2020.07



T303/353NC-E-504

NOTE

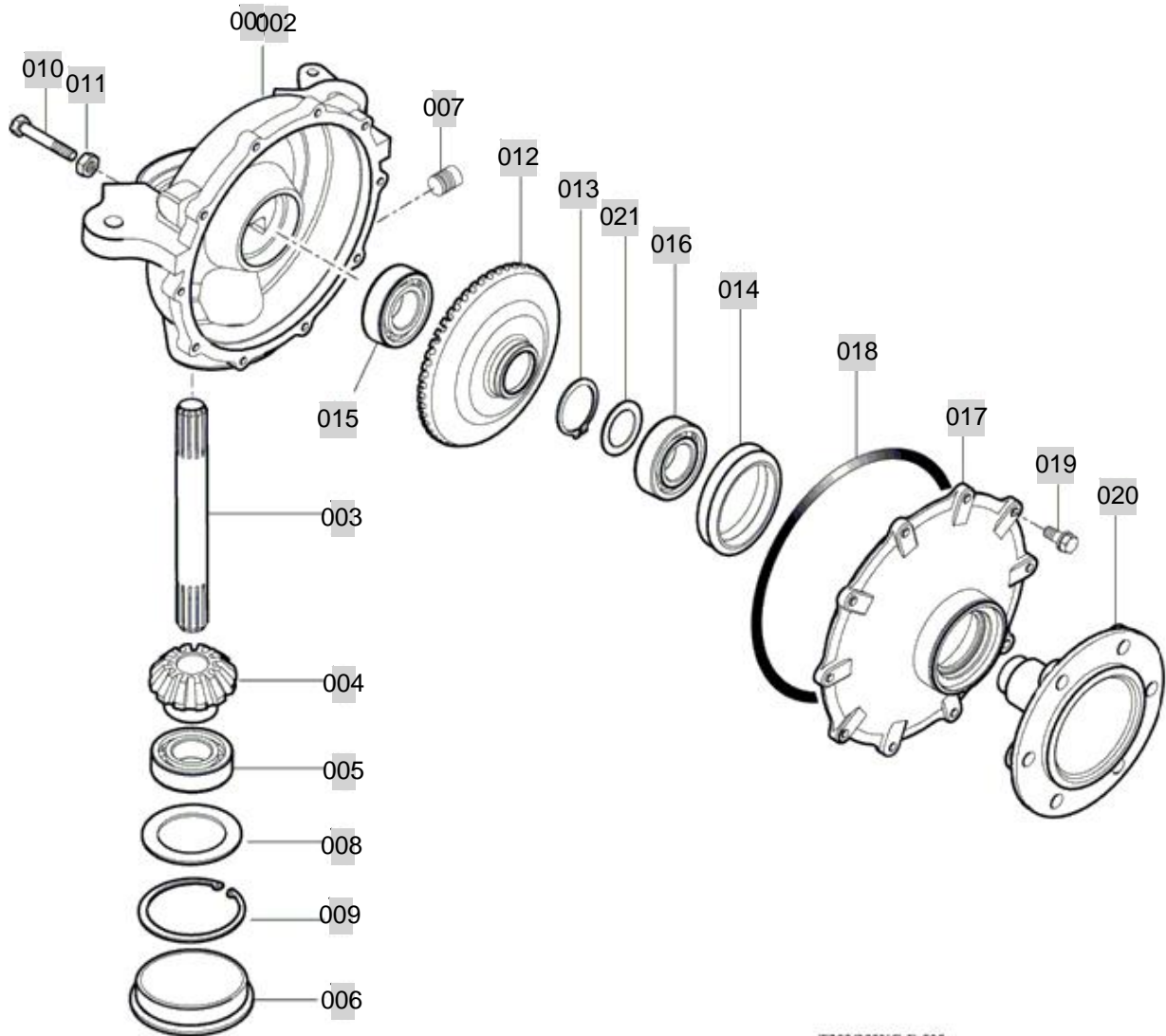
FIG 505

T394ST

FRONT GEAR CASE (2)

년/월
Year/Month

2020.07



T303/353NC-E-505

NOTE

6. HYDRAULICS & 3-POINT LINK PART NO. T394ST-C6

FIG 601 GEAR PUMP	121
FIG 602 CYLINDER CASE	123
FIG 603 LIFT ARM	125
FIG 604 CYLINDER	127
FIG 605 POSITION LINK(1)	129
FIG 606 POSITION LINK(2)	131
FIG 607 CONTROL VALVE	133
FIG 608 POSITION LEVER	135
FIG 609 HYDRAULIC PIPE(1)	137
FIG 610 HYDRAULIC PIPE(2)	139
FIG 611 EXTERIOR HYD VALVE	141
FIG 611-2 VALVE KIT	143
FIG 612 3-POINT LINK	145
FIG 613 HITCH & COVER	147

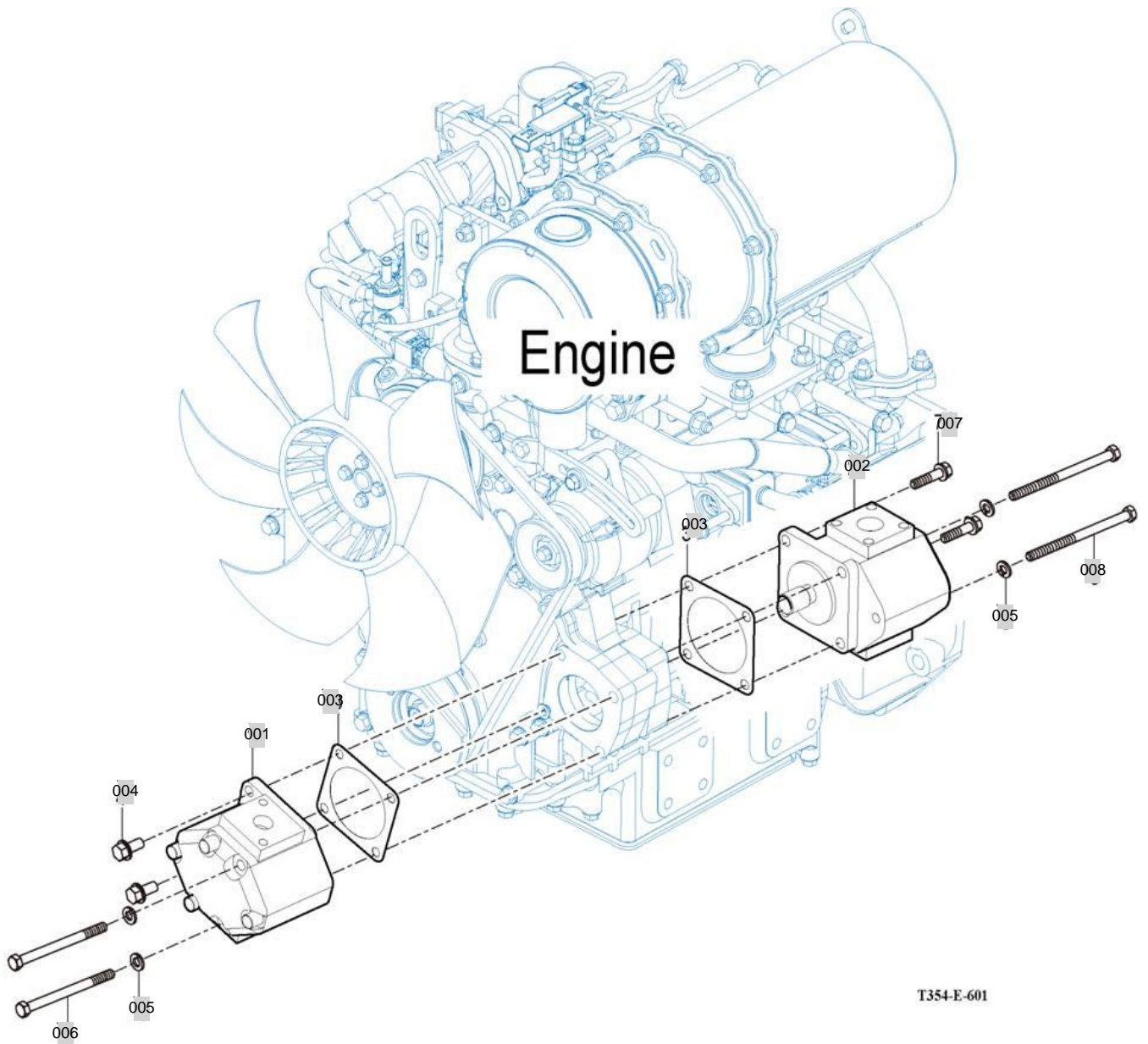
FIG 601

T394ST

GEAR PUMP

년/월
Year/Month

2020.07



NOTE

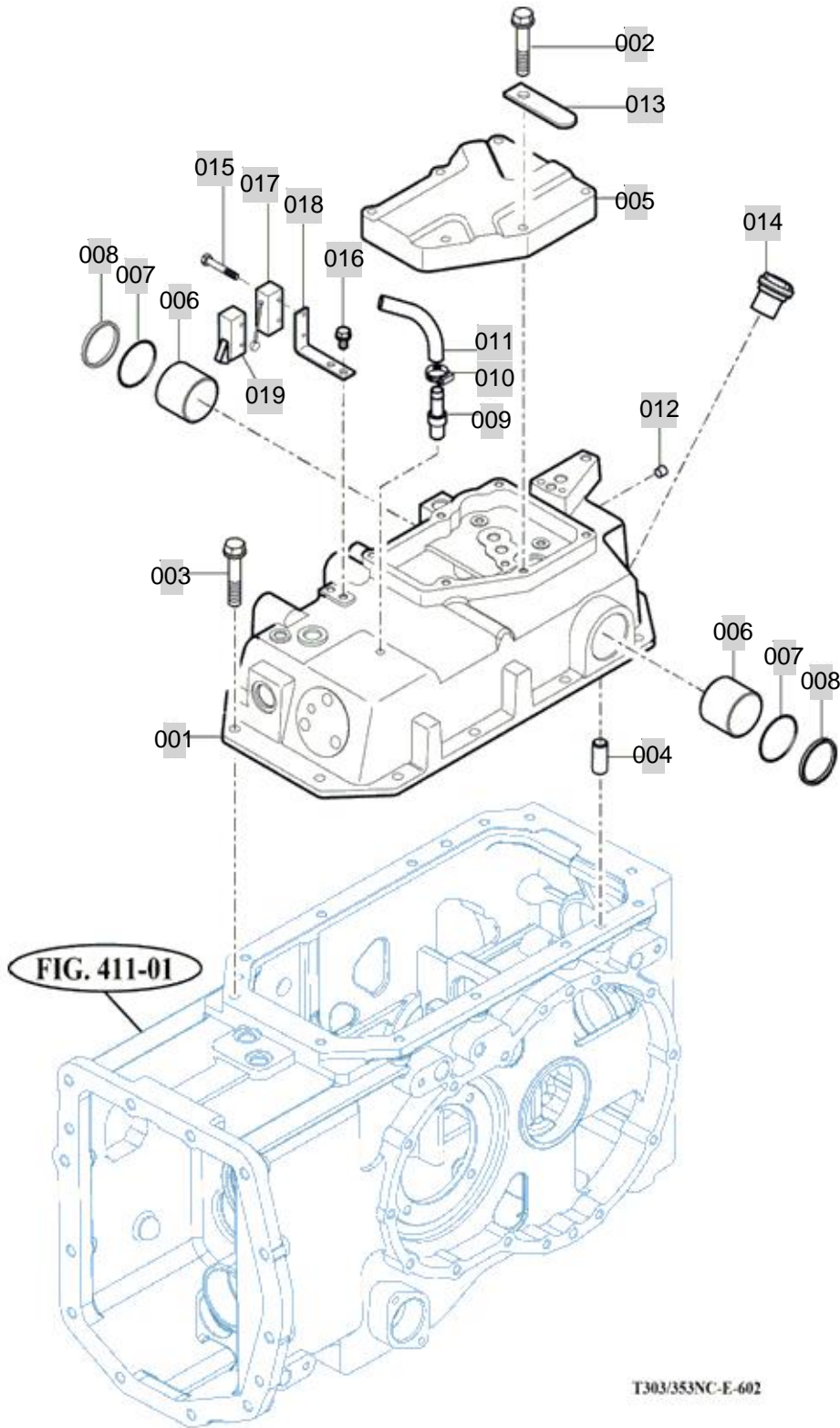
FIG 602

T394ST

CYLINDER CASE

년/월
Year/Month

2020.07



T303/353NC-E-602

NOTE

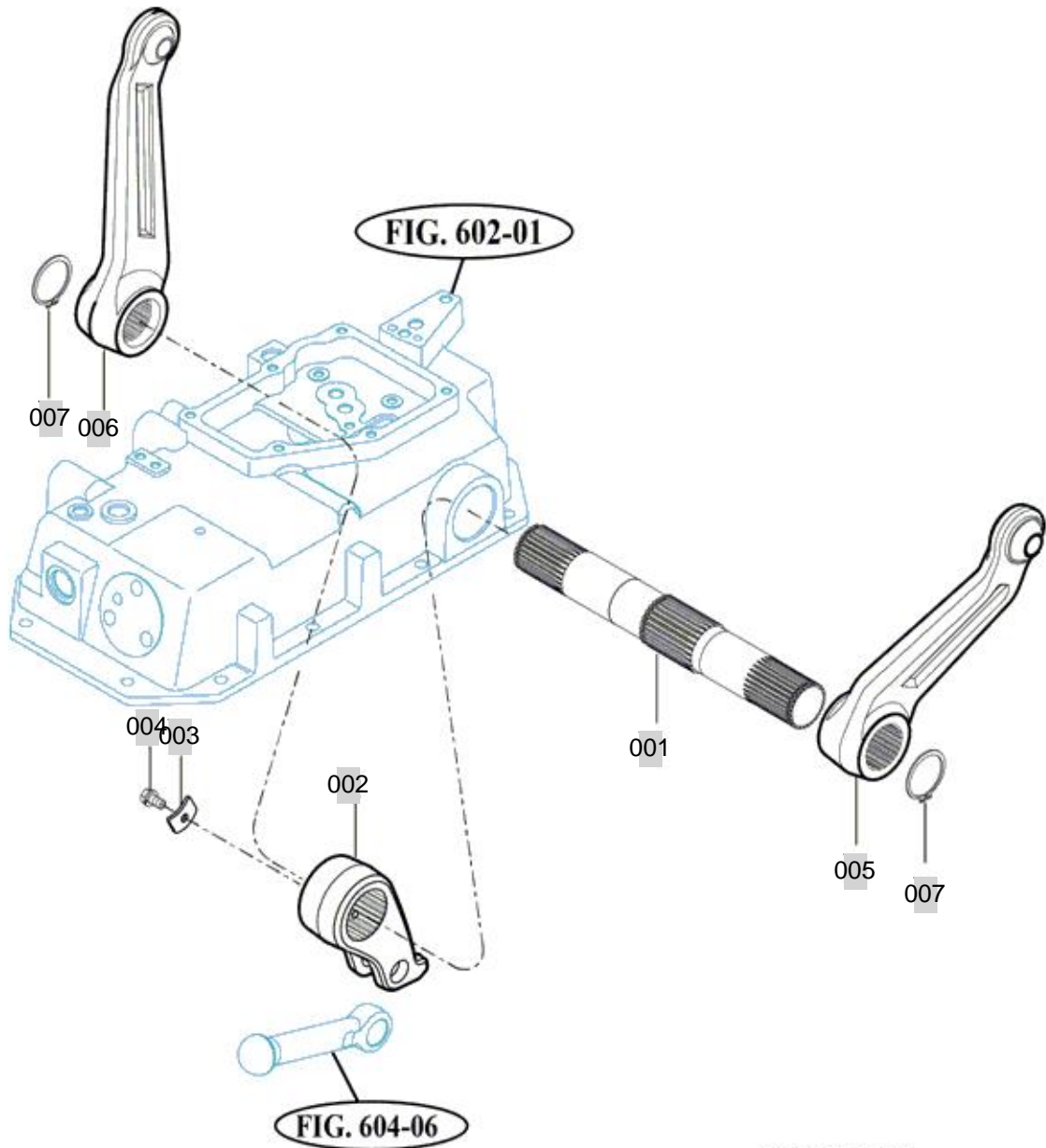
FIG 603

T394ST

LIFT ARM

년/월
Year/Month

2020.07



T303/353NC-E-603

NOTE

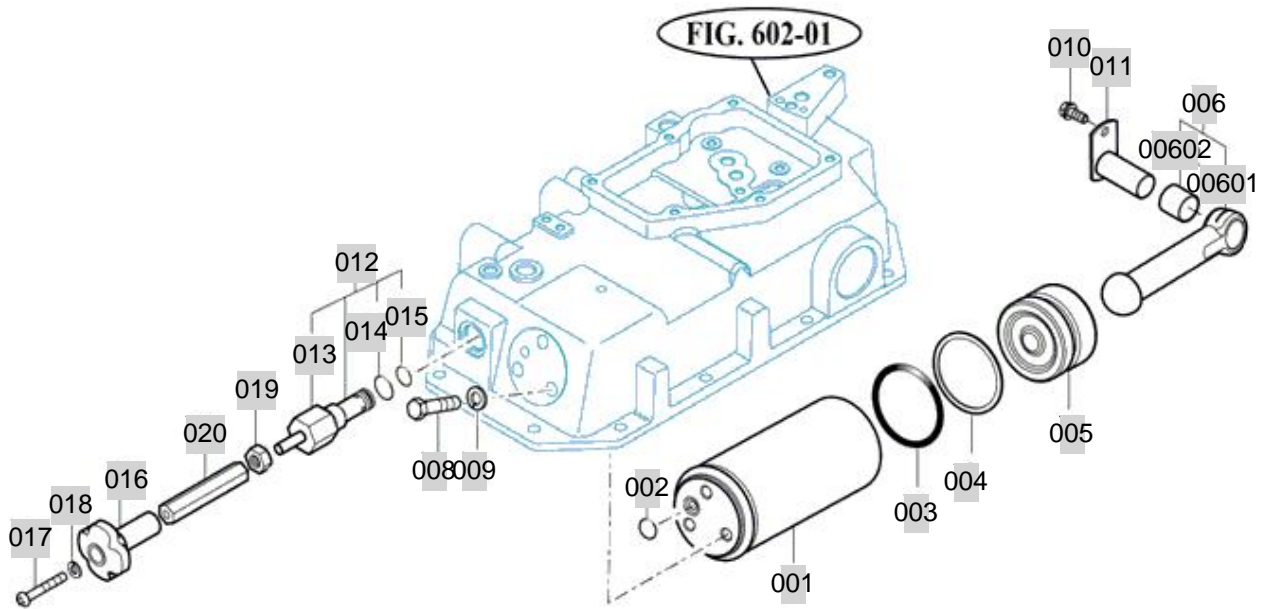
FIG 604

T394ST

CYLINDER

년/월
Year/Month

2020.07



T303/353NC-E-604

NOTE

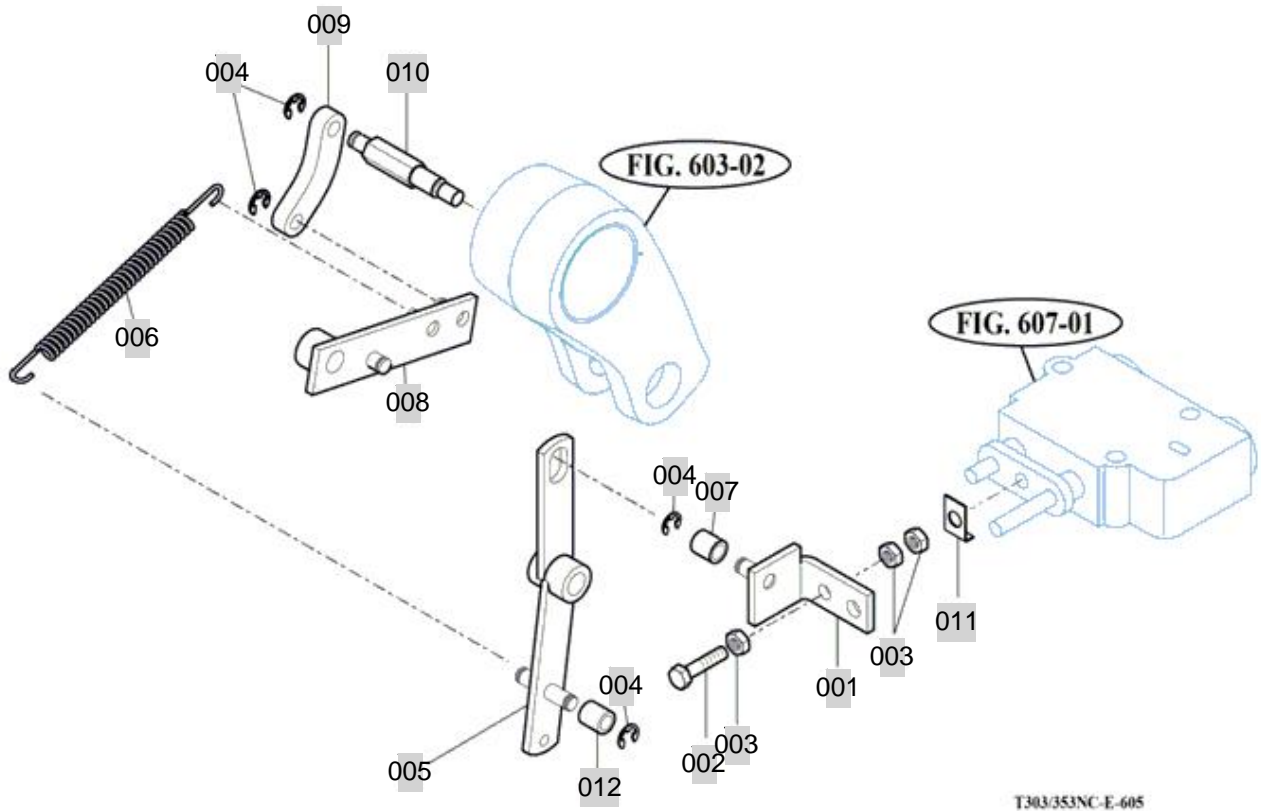
FIG 605

T394ST

POSITION LINK(1)

년/월
Year/Month

2020.07



NOTE

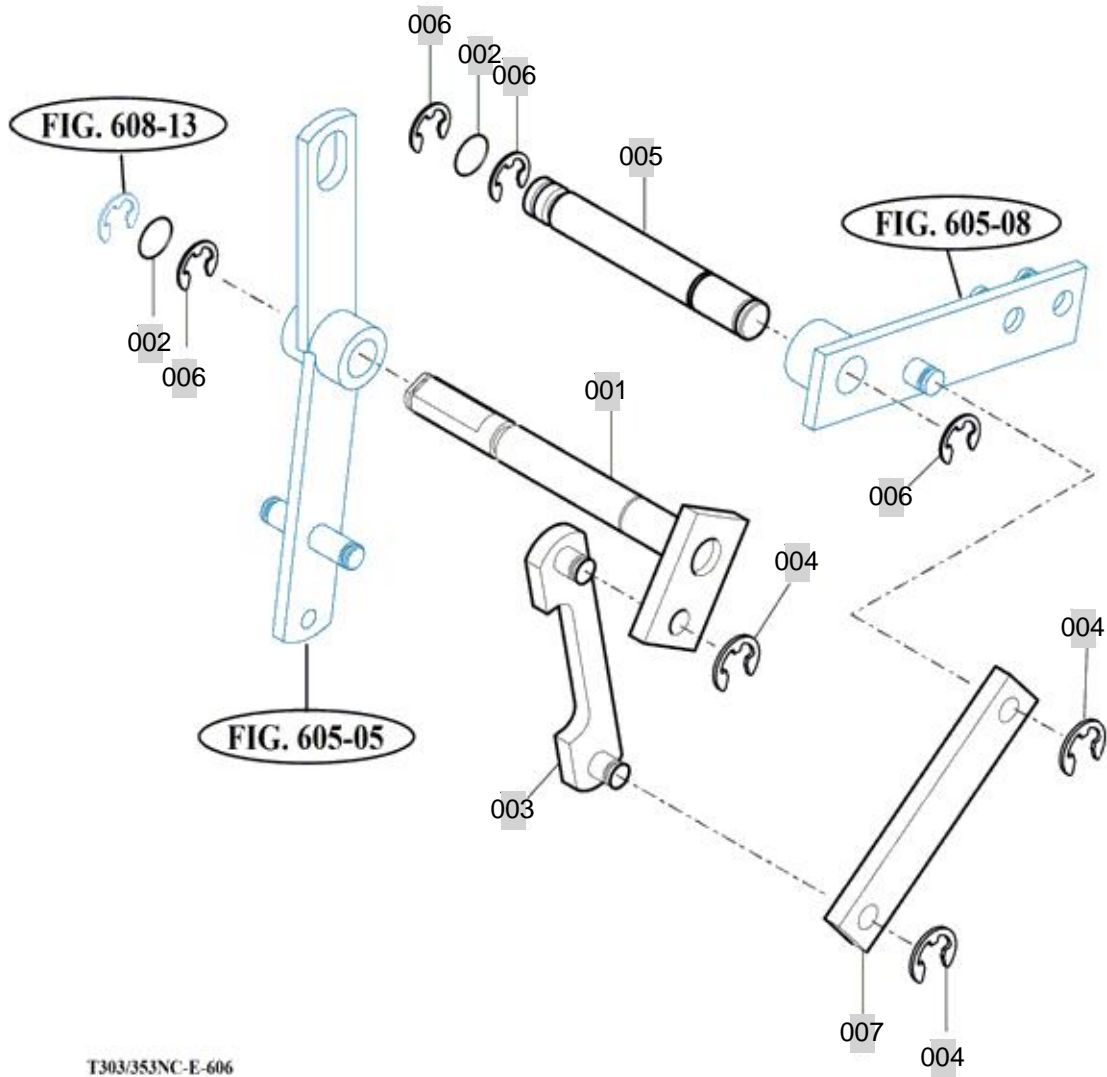
FIG 606

T394ST

POSITION LINK(2)

년/월
Year/Month

2020.07



T303/353NC-E-606

NOTE

FIG 606		POSITION LINK(2)						년/월 Year/Month	
								2020.07	
T394ST		KEY NO	PART NO	DESCRIPTION	SPEC	QTY	REPAIR	EFFECTIVE DATE	REMARKS
606	001	16705011201	SHAFT , COMP , POSITION	1X1X1	1				
606	002	V7201019009	O-RING , P	P9	2				
606	003	17995060050	LINK COMP , B	1X1X1	1				
606	004	V7081400060	E-RING	6	3				
606	005	16705010030	SHAFT , DRAFT	D=12	1				
606	006	V7081400090	E-RING	9	4			20040501	
606	007	17995060061	LINK		1				
NOTE									

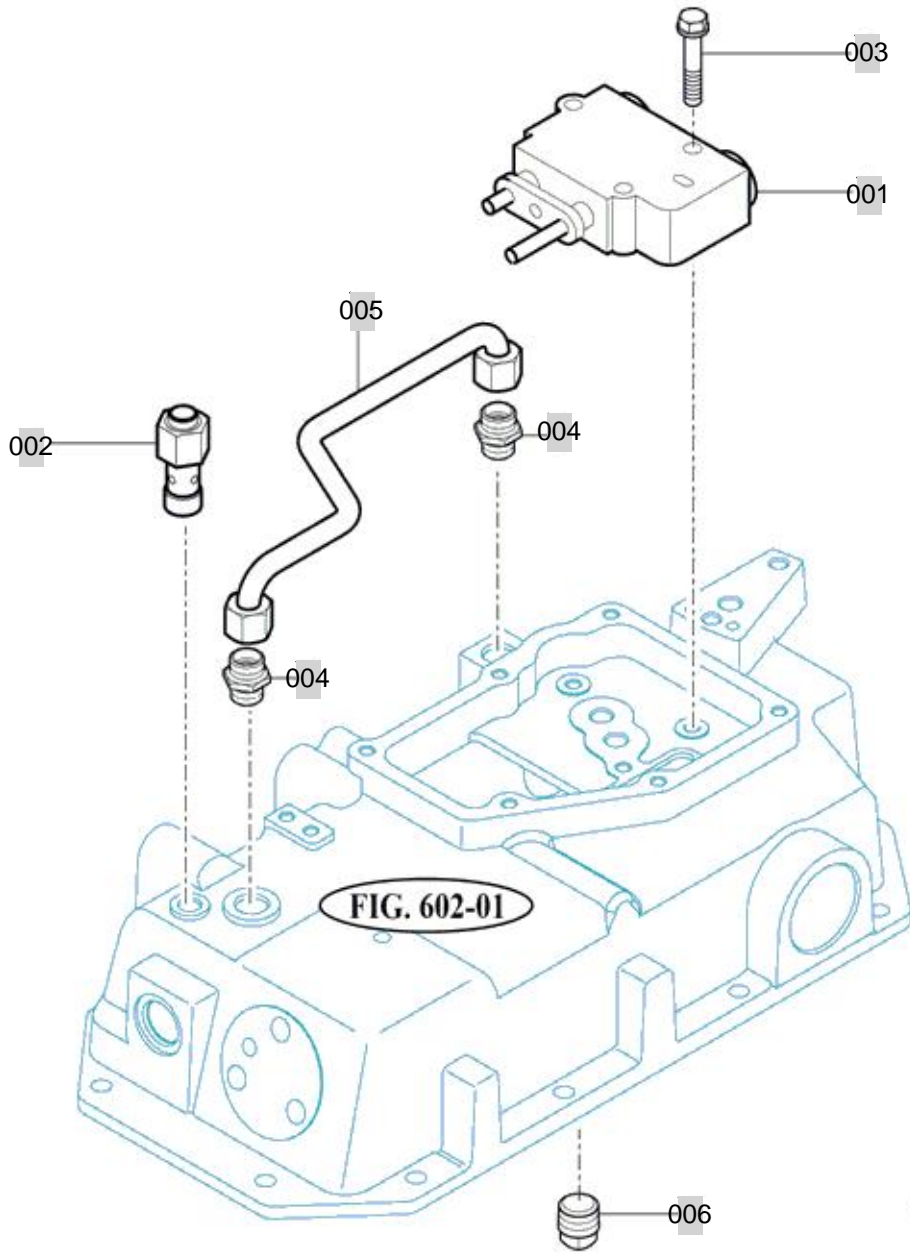
FIG 607

T394ST

CONTROL VALVE

년/월
Year/Month

2020.07



T303/353NC-E-607

NOTE

FIG 607 T394ST		CONTROL VALVE					년/월 Year/Month	
							2020.07	
KEY NO	PART NO	DESCRIPTION	SPEC	QTY	REPAIR	EFFECTIVE DATE		
607	001	17995050100	VALVE ASSY , MAIN CONTROL	115X125X36		1		
607	002	16700070000	VALVE ASSY , RELIEF	1X1X1		1		
607	003	V2173608045	BOLT , HEX/S	M8X45		3		
607	004	16705060060	UNION	HEX22		2		
607	005	16705062400	PIPE , CYLINDER COMP	1X1X1		1		
607	006	V7811600006	PLUG,SQUARE	R3/8		1		
NOTE								

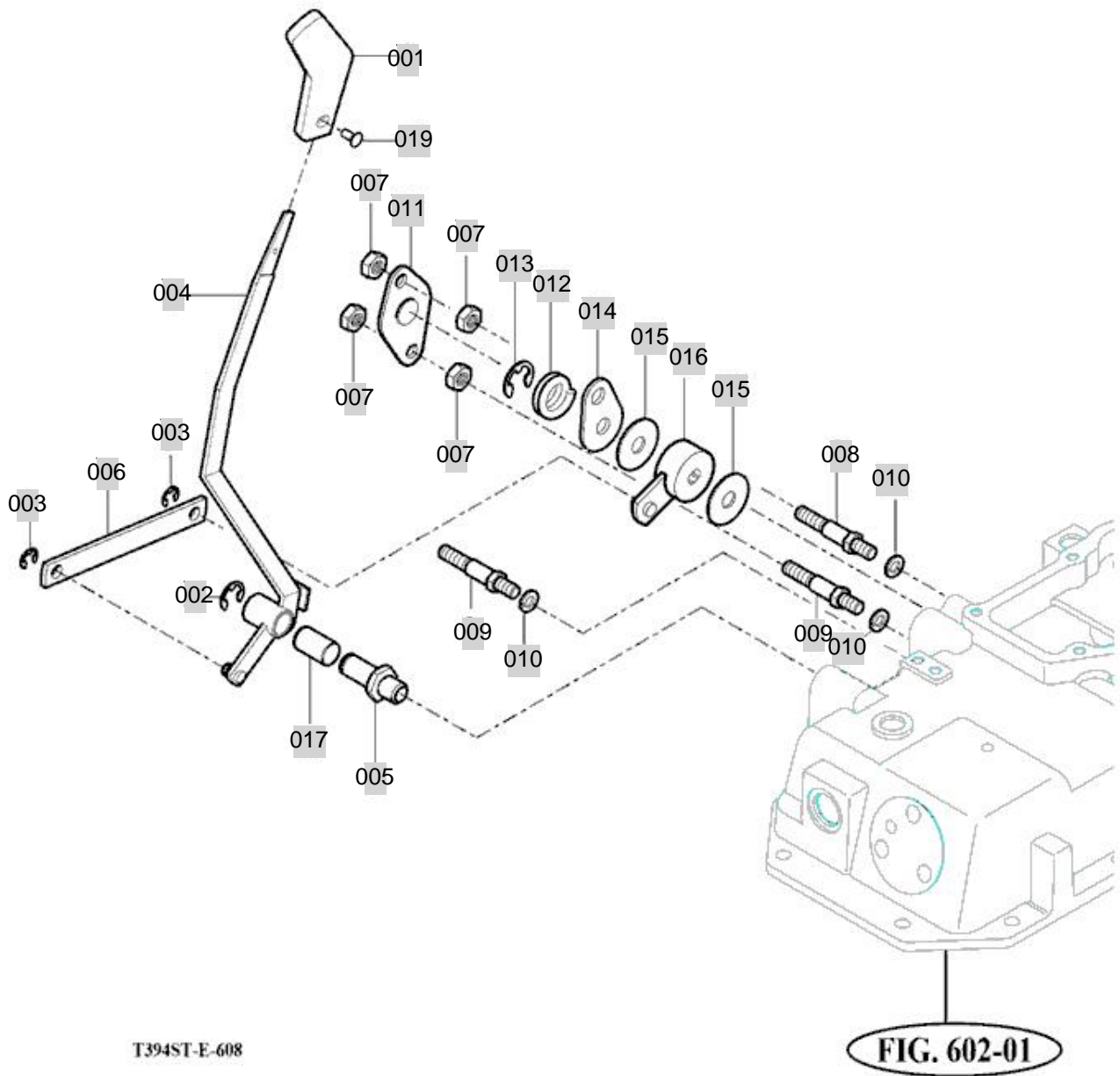
FIG 608

T394ST

POSITION LEVER

년/월
Year/Month

2020.07



NOTE

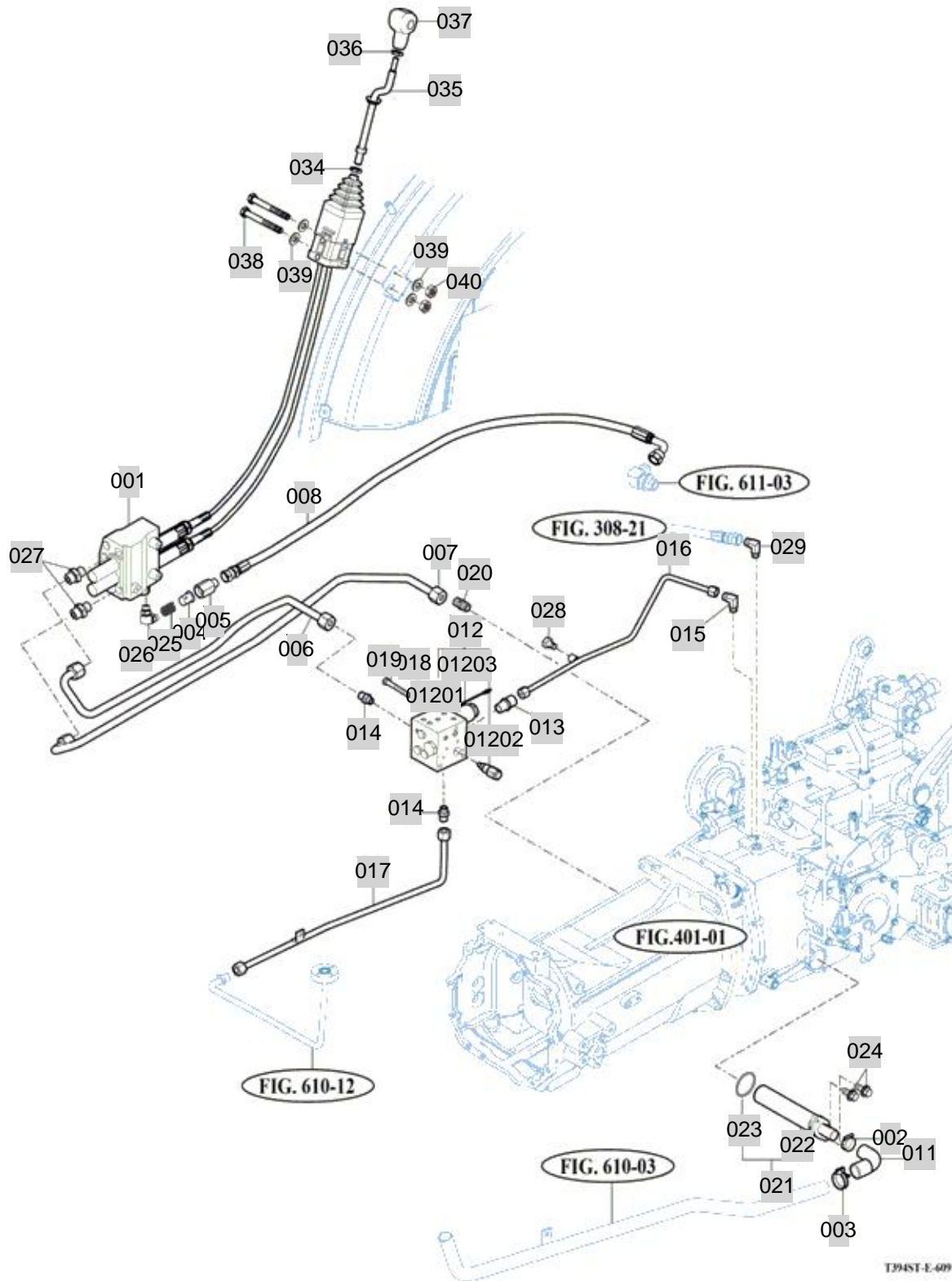
FIG 609

T394ST

HYDRAULIC PIPE(1)

년/월
Year/Month

2020.07



T394ST-E-609

NOTE

FIG 609		HYDRAULIC PIPE(1)						년/월
								Year/Month
T394ST		2020.07						
KEY NO	PART NO	DESCRIPTION	SPEC	QTY	REPAIR	EFFECTIVE DATE	REMARKS	
609	001	12335501000	LOADER VALVE SUB					
609	002	14445100080	CLAMP , HOSE					
609	003	14801020070	CLAMP , 40					
609	004	12305180020	FILTER , 80 MESH	D=13		20101126		
609	005	16705100030	ADAPTER , PF1/2 PF1/2	HEX=27		20101126		
609	006	12335154400GB	PIPE COMP , PUMP					
609	007	12335154500GB	PIPE COMP , TANK					
609	008	16705152330	HOSE , 1400 ASSY	1X1X1		20101126		
609	011	17405100010	HOSE					
609	012	14835182001	VALVE ASSY , PTO					
609	01201	14725182101	VALVE , PTO					
609	01202	15640090001	VALVE ASSY , RELIEF	PVR1-005-020				
609	01203	14725182210	SOLENOID COIL	1X1X1				
609	013	14444080062	CONNECTOR					
609	014	16995304000	UNION , O-RING	D25X25X36		20100608		
609	015	16705100100	ELBOW UNIT , PF 3/8XM16	PF3/8XM16				
609	016	16705104201	PIPE COMP , PTO	1X1X1				
609	017	17405104701GB	PIPE COMP , RR MAIN					
609	018	V4011600080	WASHER , SPRING	M8		20081201		
609	019	V2013608090	BOLT , HEX	M8X90				
609	020	16994080061	UNION , PT3/8 M18	PT3/8,M18XP1.5"				
609	021	16705105000	FILTER ASSY , SUCTION	D51X92X265				
609	022	16705104900	FILTER COMP , SUCTION	1X1X1				
609	023	V7211031045	O-RING , G	G45				
609	024	V2183610025	BOLT , HEX/SP	M10X25				
609	025	17995010210	SPRING	12X22		20101126		
609	026	13025100060	ELBOW PF1/2	PF1/2				
609	027	13025100020	UNION , M18,PF1/2	M18,PF1/2				
609	028	13267060022	PLUG , DRAIN	육각 B=12		20071101		
609	029	14944050100	ELBOW PF3/8XM16 ,45					
609	034	V3302600140	NUT , HEX FINE/1	M14				
609	035	12646013900GB	LEVER COMP . JOYSTICK					
609	036	V3343600100	NUT , HEX FINE/2	M10				
609	037	19027750021	GRIP COMP , JOYSTICK	1X1X1				
609	038	V2173608085	BOLT , HEX/S	M8X85				
609	039	V4111600080	WASHER , PLAIN	M8		20081201		
609	040	V3042600080	NUT , HEX/2	M8		20081201		
NOTE								

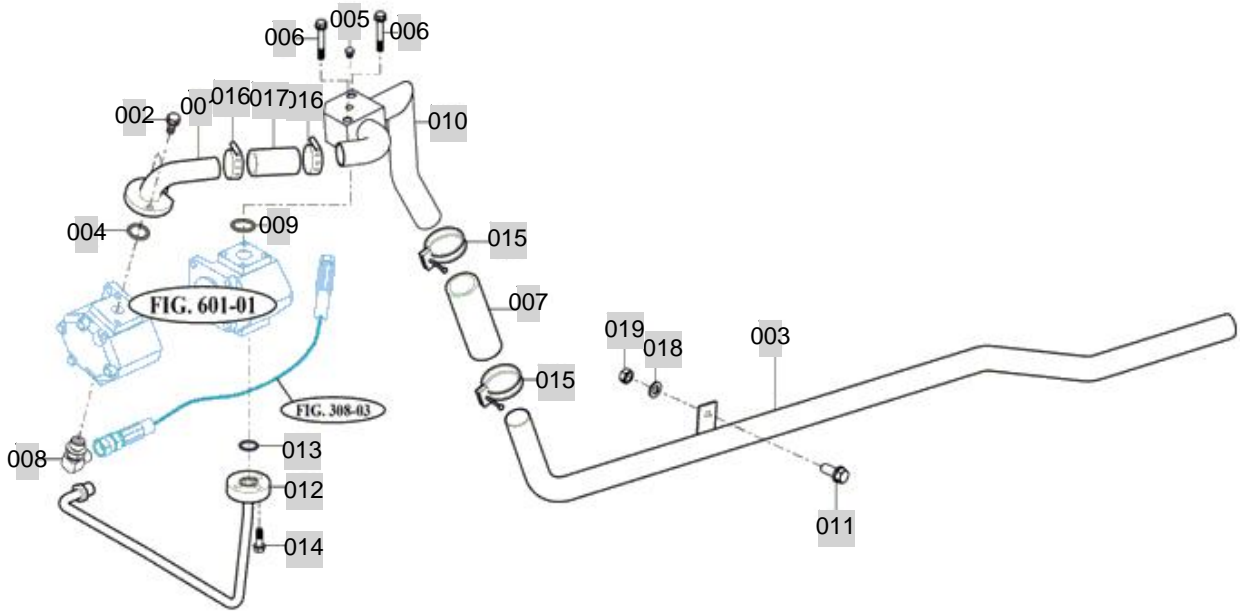
FIG 610

T394ST

HYDRAULIC PIPE(2)

년/월
Year/Month

2020.07



T394-E-606

NOTE

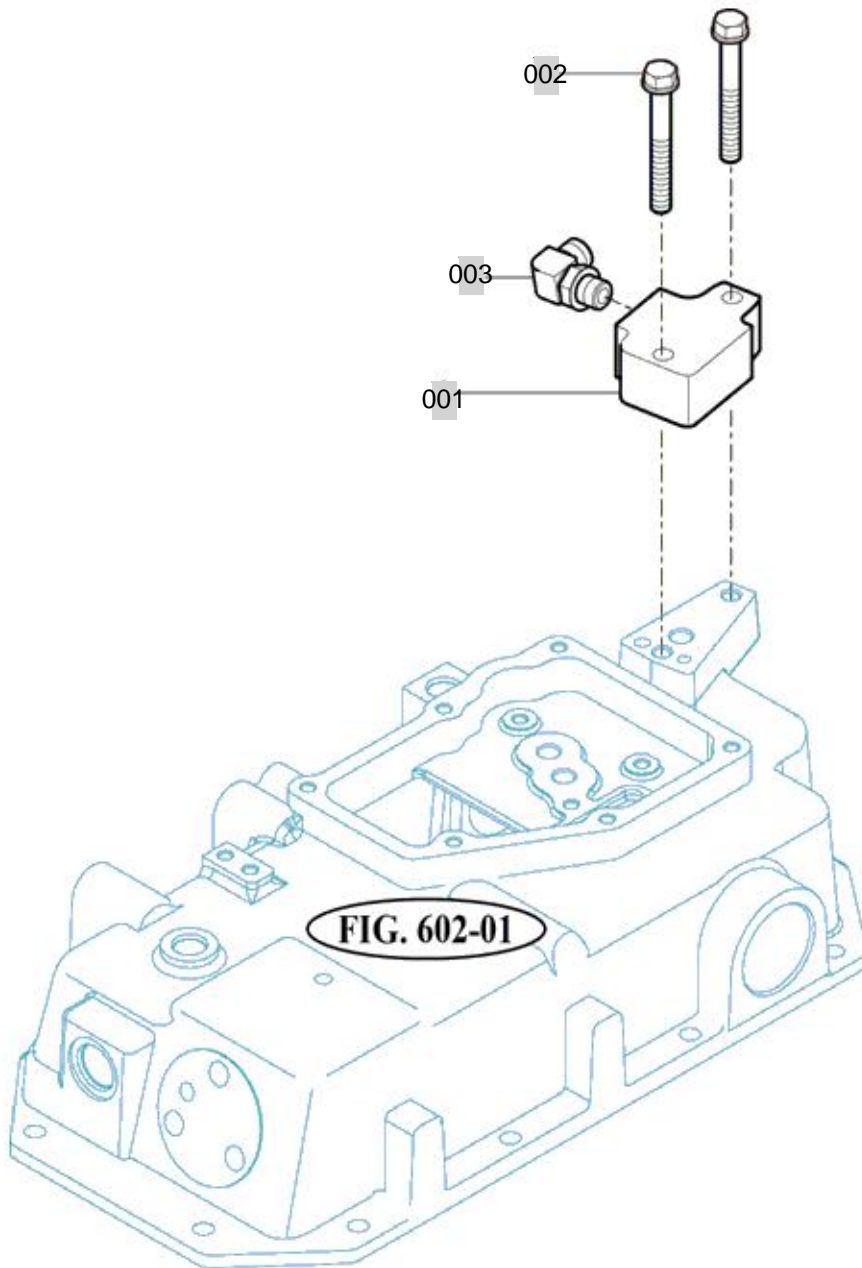
FIG 611

T394ST

EXTERIOR HYD VALVE

년/월
Year/Month

2020.07



T303/353NC-E-611

NOTE

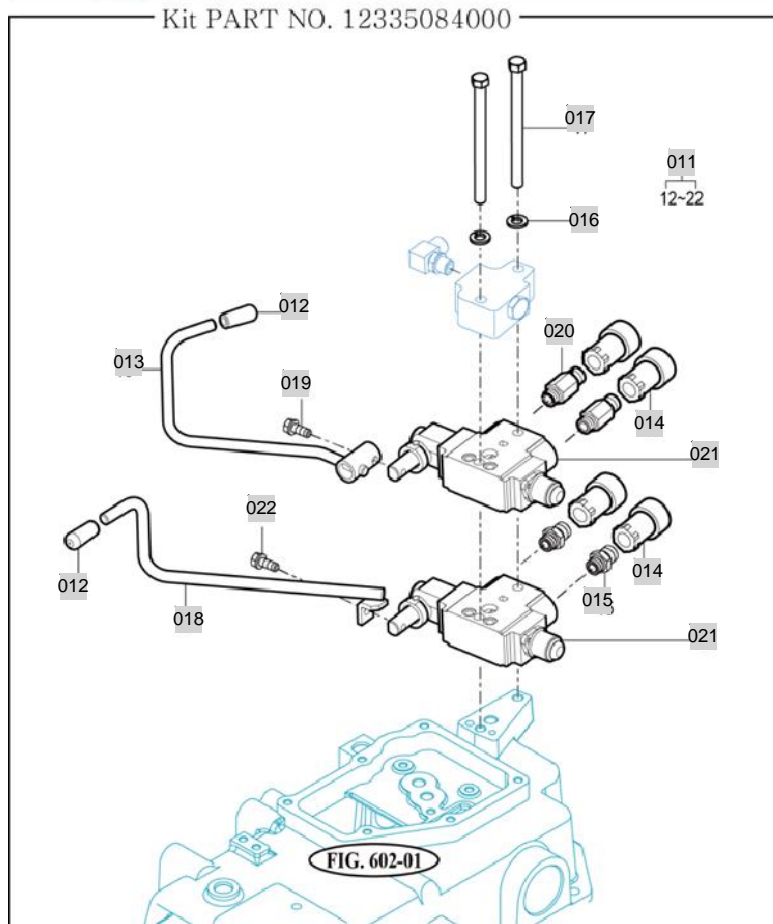
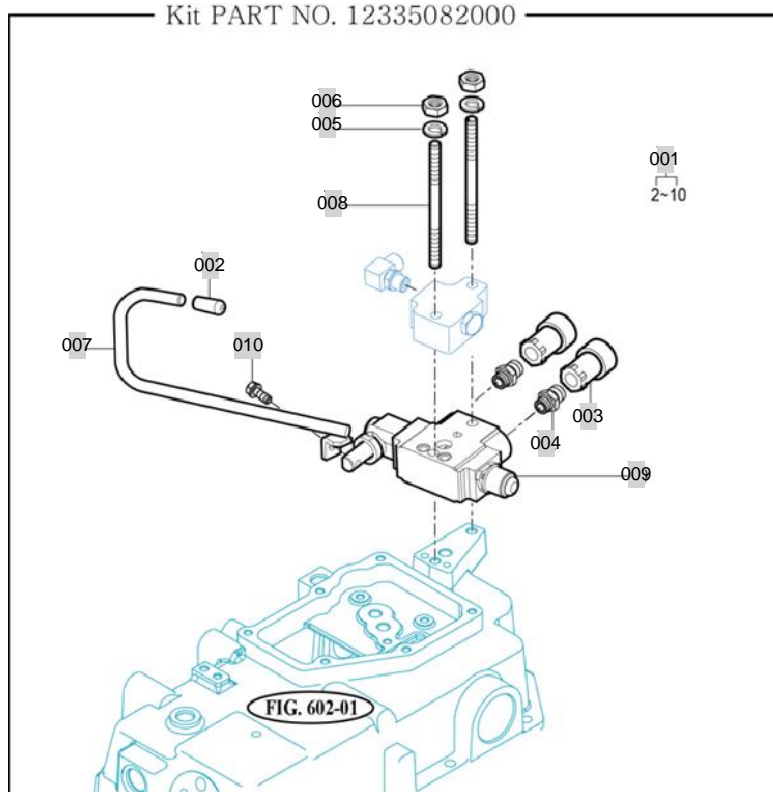
FIG 611-2

T394ST

VALVE KIT

년/월
Year/Month

2020.07



NOTE

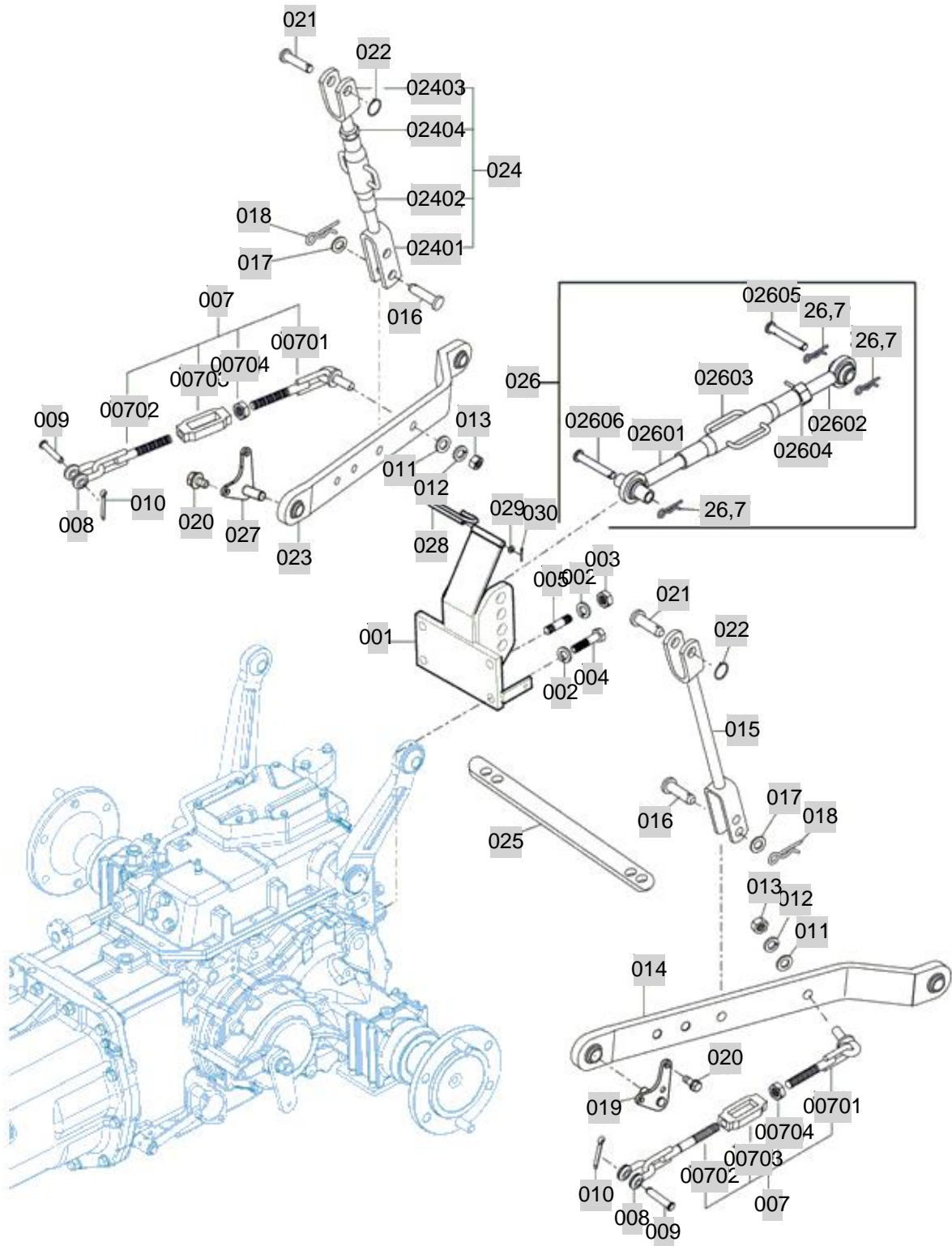
FIG 612

T394ST

3-POINT LINK

년/월
Year/Month

2020.07



2545ST-K-612

NOTE

FIG 612		3-POINT LINK					년/월 Year/Month		
							2020.07		
T394ST		KEY NO	PART NO	DESCRIPTION	SPEC	QTY	REPAIR	EFFECTIVE DATE	REMARKS
612	001	12393172000GB	BRACKET COMP , TOP LINK			1			
612	002	V4011600140	WASHER , SPRING	M14		4		20080701	
612	003	V3043600140	NUT , HEX/2	M14		2		20080701	
612	004	V2014614035	BOLT , HEX	M14X35		2			
612	005	V2514414030	BOLT , STUD/2	M14X30		2			
612	007	16705142501	CHAIN ASSY , CHECK	1X1X1		2		20110603	
612	00701	16705244100	CHAIN COMP , LH CHECK	1X1X1		2			
612	00702	16705142800	CHAIN COMP , RH CHECK	1X1X1		2			
612	00703	16705142510M	TURNBUCKLE			2		20060922	
612	00704	V3043600140	NUT , HEX/2	M14		2		20080701	
612	008	16705142520	SHACKLE , CHECK CHAIN	1X1X1		2		20060922	
612	009	79636110030	PIN , 12X48	D=12		2		20040101	
612	010	V5001930020	PIN , SPLIT	3X20		4		20040101	
612	011	V4111600160	WASHER , PLAIN	M16		2		20071011	
612	012	V4011600160	WASHER , SPRING	M16		2		20081226	
612	013	V3013600160	NUT , HEX/2	M16		2		20040101	
612	014	16705142001GB	LINK COMP , LH LOW	1X1X1		1			
612	015	16705142400GB	ROD COMP , LH LIFT	1X1X1		1			
612	016	79636130050	PIN , 16X60	D=16		2		20040101	
612	017	V4111600160	WASHER , PLAIN	M16		2		20071011	
612	018	13059310030	PIN	D=2.3		2		20060609	
612	019	12385142200	PIN COMP , LH			2			
612	020	V2173612030	BOLT , HEX/S	M12X30		4			
612	021	16705020050	PIN , 19X69	19X75X26		2			
612	022	16735240060	Spring	D48		2		20030401	
612	023	16705142101GB	LINK COMP , RH LOW	1X1X1		1			
612	024	16705145000GB	ROD ASSY , RH LIFT	1X1X1		1			
612	02401	16705145200	FORK COMP , LOW	1X1X1		1			
612	02402	16705145100	SLIP COMP	1X1X1		1			
612	02403	16705145300	FORK COMP , UPR	1X1X1		1			
612	02404	V3003600200	NUT , HEX NORMAL /1	M20		1			
612	025	15605250030	BAND , 470	25X520XT6		1		20110603	
612	026	16505245501GB	LINK ASSY , TOP			1			
612	02601	16505245510	LINK COMP , RH TOP LINK	1X1X1		1			
612	02602	16505245520	LINK COMP , LH TOP LINK	1X1X1		1			
612	02603	14555140251	TURNBUCKLE COMP			1			
612	02604	16505245530	NUT , HEX	1X1X1		1			
612	02605	15645220020	PIN , 19X95	D=19		1		20110321	
612	02606	15645220011	PIN , 19X86	D=19		1		20101126	
612	027	12385142300	PIN COMP , RH			1			
612	02607	14445140051	PIN , 19	D=4.5		3		20110321	
612	028	12396251100	HOOK , TOP LINK			1			
612	029	V4111600060	WASHER , PLAIN	M6		1		20081201	
612	030	V5001920020	PIN , SPLIT	2X20		1		20040501	
NOTE									

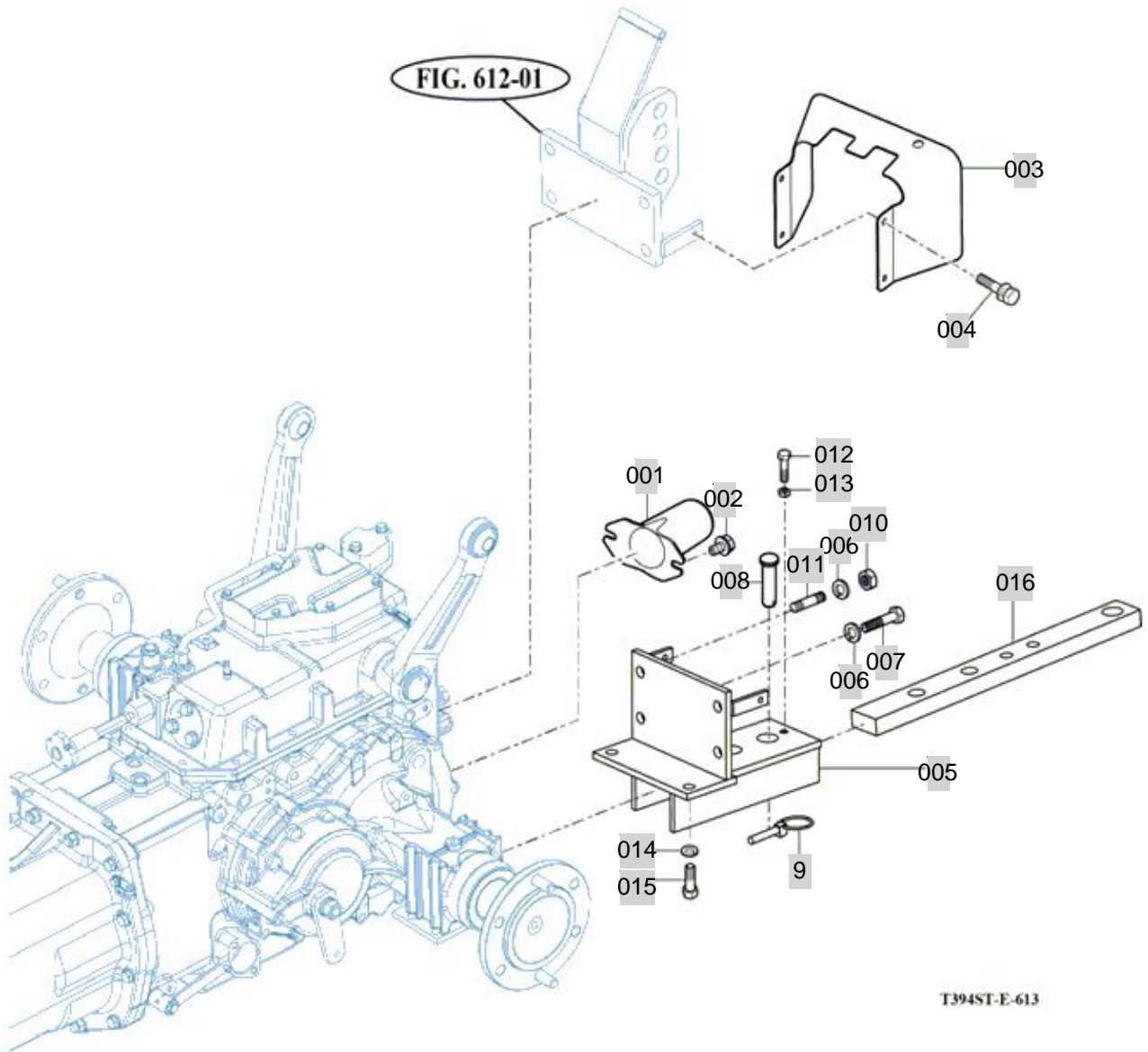
FIG 613

T394ST

HITCH & COVER

년/월
Year/Month

2020.07



NOTE

7. SHEET METAL & CABIN PART NO. T394ST-C7

FIG 701 HOOD (1)	150
FIG 702 HOOD (2)	153
FIG 704 FRONT & REAR MOUNTING	155
FIG 705 DASHPANEL	157
FIG 706 SEAT & MAT	159
FIG 707 DOOR	161
FIG 707-2 DOOR	164
FIG 708 FRONT GLASS	166
FIG 709 REAR GLASS	168
FIG 710 SUB FENDER & COVER	170
FIG 711 MIRROR	172
FIG 712 HEATER & AIR-CON	174
FIG 712-2 HEATER & AIR-CON	176
FIG 713 FENDER COVER	178
FIG 714 ROOF	180
FIG 715 CABIN INTERIOR	182

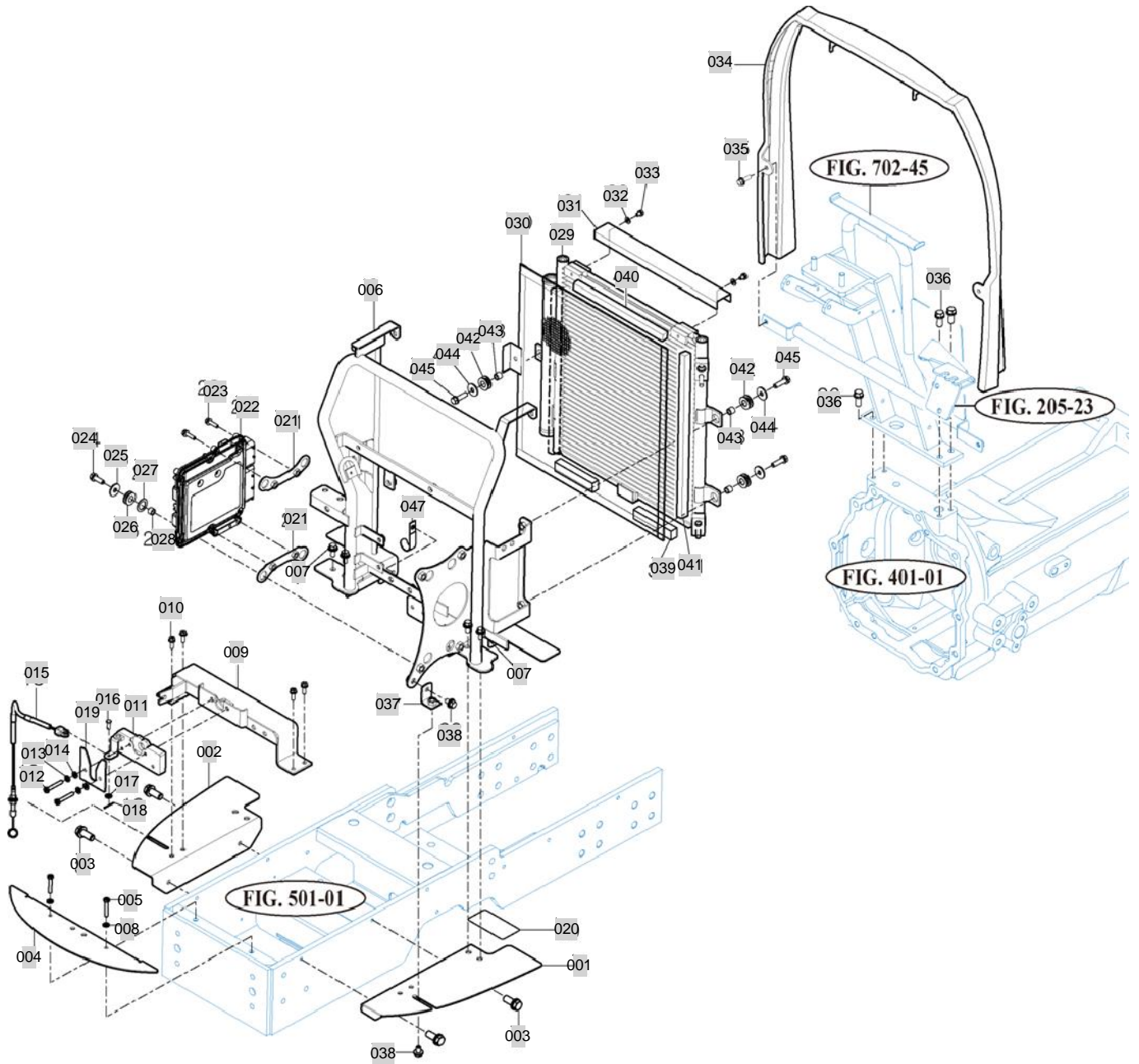
FIG 701

T394ST

HOOD (1)

년/월
Year/Month

2020.07



NOTE

FIG 701		HOOD (1)					년/월 Year/Month		
							2020.07		
T394ST		KEY NO	PART NO	DESCRIPTION	SPEC	QTY	REPAIR	EFFECTIVE DATE	REMARKS
701	001	17404072301GB	PLATE COMP, LH			1			
701	002	17404072401GB	PLATE COMP, RH			1			
701	003	V2183608016	BOLT , HEX/SP	M8X16		4		20081224	
701	004	17404072501GB	PLATE COMP, C			1			
701	005	V2053606035	BOLT , HEX C/R	M6X35		2			
701	006	12341122000GB	FRAME COMP, FRONT			1			
701	007	V2183608020	BOLT , HEX/SP	M8X20		4		20081201	
701	008	V4011600060	WASHER , SPRING	M6		2		20040901	
701	009	17406014201GB	STAY COMP , HOOD			1			
701	010	V2323606020	BOLT , C/R HEX/SP	M6X20		4			
701	011	17686020600	LOCK COMP . HOOD	1X1X1		1			
701	012	V2053606040	BOLT , HEX C/R	M6X40		2			
701	013	V4011600060	WASHER , SPRING	M6		2		20040901	
701	014	V3002600060	NUT , HEX/1	M6		2			
701	015	13256020650	CABLE ASSY , HOOD	1X1X1		1			
701	016	15601160083	PIN , 06X16	D=6		1		20110113	
701	017	V4111600060	WASHER , PLAIN	M6		1		20081201	
701	018	V5001920020	PIN , SPLIT	2X20		1		20040501	
701	019	17406014300	GUIDE, HOOD PIN			1			
701	020	12386400010	LABEL , SEAL CLUTCH			1			
701	021	12341222000GB	PLATE COMP , ECU			2			
701	022	129A26-75040	ECU(T394)			1			
701	023	V2123606025	BOLT , HEX /SP	M6X25		4			
701	024	V2173608025	BOLT , HEX/S	M8X25		4		20050201	
701	025	35602010150	WASHER , BIND SHAFT	T=2.3		4		20100402	
701	026	14046210300	GROMMET			4		20100402	
701	027	35652030040	COLLAR , PACKER SHAFT	T=1.0		4		20100402	
701	028	15991040050	COLLAR , 08X12X08	12X1.8		4		20100402	
701	029	12398303700	CONDENSER ASSY			1			
701	030	12391042300GB	NET COMP , CONDENSER			1			
701	031	12391054010GB	BRACKET , CONDENSOR UP			1			
701	032	V4111600060	WASHER , PLAIN	M6		2		20081201	
701	033	V2113606010	BOLT , HEX /S	M6X10		2			
701	034	12347071131	EXTENSION COVER			1			
701	035	V2183606020	BOLT , HEX/S	M6X20		2			
701	036	V2183610025	BOLT , HEX/SP	M10X25		4			
701	037	12341223000GB	BRACKET COMP , ECU FIX			1			
701	038	V2183608016	BOLT , HEX/SP	M8X16		2		20081224	
701	039	18501042360	SPONGE, 170			2			
701	040	12391042350	SPONGE, 245			1			
701	041	18501042370	SPONGE, 430			2			
701	042	19026210300	GROMMET(12X17X10)			3			
701	043	19026010020	COLLAR , 10X12X08	12X1.8		3			
701	044	35602010150	WASHER , BIND SHAFT	T=2.3		3		20100402	
701	045	V2173608030	BOLT , HEX/S	M8X30		3		20071112	
NOTE									

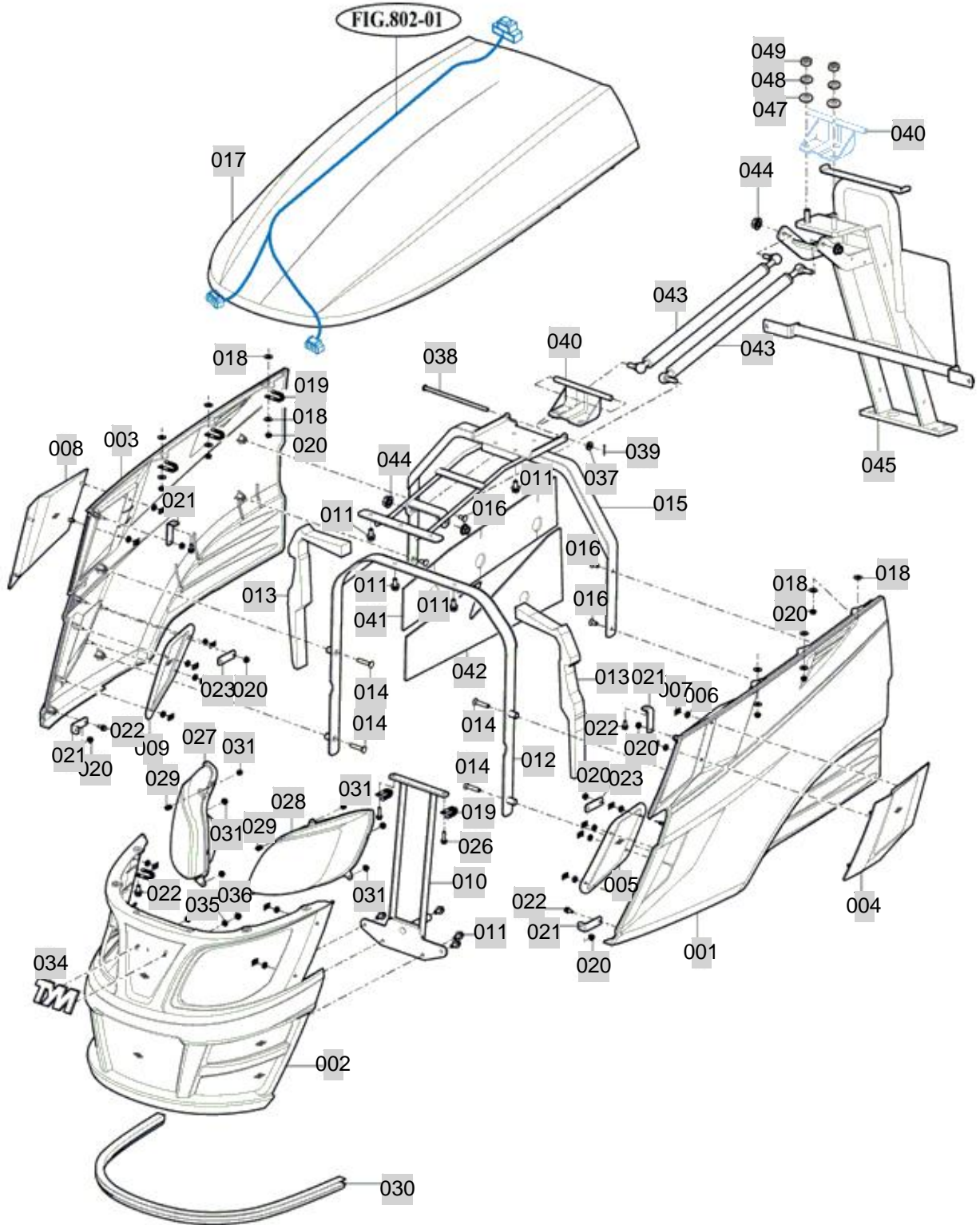
FIG 702

T394ST

HOOD (2)

년/월
Year/Month

2020.07



NOTE

FIG 702		HOOD (2)					년/월 Year/Month		
							2020.07		
T394ST		KEY NO	PART NO	DESCRIPTION	SPEC	QTY	REPAIR	EFFECTIVE DATE	REMARKS
702	001	17406203300SR	COVER COMP , SIDE/LH			1			
702	002	17406203200GB	GRILLE COMP			1			
702	003	17406203400SR	COVER COMP , SIDE/RH			1			
702	004	17406203500GB	NET , UPR/LH			1			
702	005	17406203600GB	NET , LOW/LH			1			
702	006	14446010150	WASHER , NET			16		20060701	
702	007	V3501600060	NUT, PUSH-ON SPRING	M6		16			
702	008	17406203700GB	NET , UPR/RH			1			
702	009	17406203800GB	NET , LOW/RH			1			
702	010	17406202500GB	Pln COMP , HOODLOCK			1			
702	011	V2183608020	BOLT , HEX/SP	M8X20		13		20081201	
702	012	17406202300GB	FRAME COMP , HOOD/FR			1			
702	013	12346202431	INSULATOR , HOOD			2			
702	014	V1122608040	SCREW , C/R FLAT	M8X40		4			
702	015	17406202700GB	FRAME COMP , HOOD/RR			1			
702	016	V1122608016	SCREW , C/R FLAT	M8X16		4			
702	017	17406203101SR	HOOD COMP			1			
702	018	35605033020	WASHER , WIRE WITHDRAWAL	T=1.6		12		20100616	
702	019	37371720090	CLAMP , W/HARNESS			6		20100211	
702	020	V3802600060	NUT , HEX FLANGE	M6		14			
702	021	17406203010GB	PLATE , UPR/SIDE			4			
702	022	V2123606016	BOLT , HEX /SP	M6X16		8		20081128	
702	023	17406203020GB	PLATE , MID/SIDE			2			
702	026	V2123606025	BOLT , HEX /SP	M6X25		2			
702	027	17406525001	HEAD LAMP ASSY , RH			1			
702	028	17406524001	HEAD LAMP ASSY , LH			1			
702	029	36108010080	SPRING , ENTRANCE FOR SEED(HC016)	D=1.6		2		20040401	
702	030	17406203900	INSULATOR , HOOD			1			
702	031	19027210060	NUT , NYLON , M6	M6XP1		6			
702	034	19959010010	EMBLEM	1X1X1		1			
702	035	V4111600060	WASHER , PLAIN	M6		2		20081201	
702	036	V3802600060	NUT , HEX FLANGE	M6		2			
702	037	V4111600080	WASHER , PLAIN	M8		1		20081201	
702	038	13016203900	HOOD PIN			1			
702	039	V5001925020	PIN D2.5x20	2.5X20		1		20081201	
702	040	13016202804GB	PLATE COMP , HOOD HINGE			1			
702	041	17406202420	INSULATOR , SIDE RR/LH			1			
702	042	17406202411	INSULATOR , HOOD			1			
702	043	17406202900	GAS SPRING , HOOD			2			
702	044	V3802600080	NUT , HEX FLANGE	M8		4		20120501	
702	045	12346022100GB	FRAME COMP , HOOD			1			
702	047	V4111600100	WASHER , PLAIN	M10		2		20081201	
702	048	V4011600100	WASHER , SPRING	M10		2		20081001	
702	049	V3043600100	NUT , HEX/2	M10		2		20030401	
NOTE									

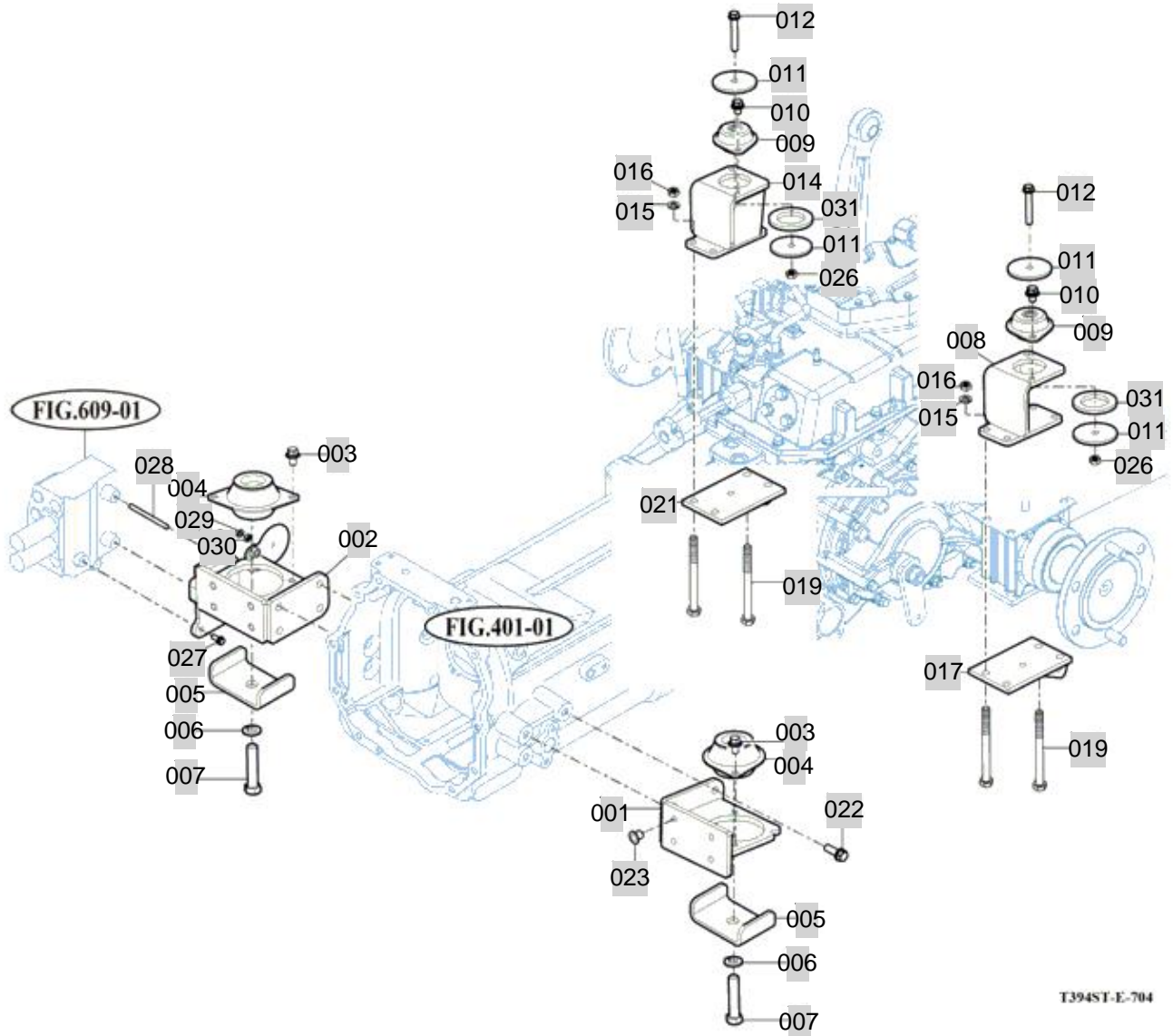
FIG 704

T394ST

FRONT & REAR MOUNTING

년/월
Year/Month

2020.07



NOTE

FIG 704		FRONT & REAR MOUNTING					년/월 Year/Month	
							2020.07	
T394ST								
KEY NO	PART NO	DESCRIPTION	SPEC	QTY	REPAIR	EFFECTIVE DATE	REMARKS	
704	001	12396252100GB	MOUNTING BRACKET , F(LH)					
704	002	12346252200GB	MOUNTING BRACKET , F(RH)					
704	003	V2183610020	BOLT , HEX/SP	M10X20	4	20070831		
704	004	14526250011	INSULATOR COMP . MOUNTING	1X1X1	2			
704	005	12426250030GB	PLATE , FRONT MOUNTING	1X1X1	2			
704	006	V4011600160	WASHER , SPRING	M16	2	20081226		
704	007	V2034616070	BOLT , HEX FINE	M16X70	2			
704	008	12396265400GB	MOUNTING BRACKET , R(RH)		1			
704	009	15966250010	INSULATOR	1X1X1	2			
704	010	V2183612020	BOLT , HEX/SP	M12X20	4			
704	011	17136250030GB	PLATE , 80X6T	D80*6	4			
704	012	V2014612075	BOLT , HEX	M12X75	2			
704	014	12396265500GB	MOUNTING BRACKET , R(LH)		1			
704	015	V4011600120	WASHER , SPRING	M12	8			
704	016	V3043600120	NUT , HEX/2	M12	8	20040901		
704	017	16705143002GB	BRACKET COMP , LH CHECK	1X1X1	1			
704	019	V2014612160	BOLT , HEX	M12X160	8			
704	021	16705143102GB	BRACKET COMP , RH CHECK	1X1X1	1			
704	022	V2173612030	BOLT , HEX/S	M12X30	8			
704	023	14272010160	CAP		8	20060425		
704	026	84200001200	NUT , NYLON	1X1X1	2			
704	027	V2173608025	BOLT , HEX/S	M8X25	2	20050201		
704	028	V2512608025	BOLT , STUD/2	M8X25	1			
704	029	V4011600080	WASHER , SPRING	M8	2	20081201		
704	030	V3043600080	NUT , HEX/2	M8	2	20081001		
704	031	12426250060	RUBBER , RR MOUNTING	1X1X1	2	20110927		
NOTE								

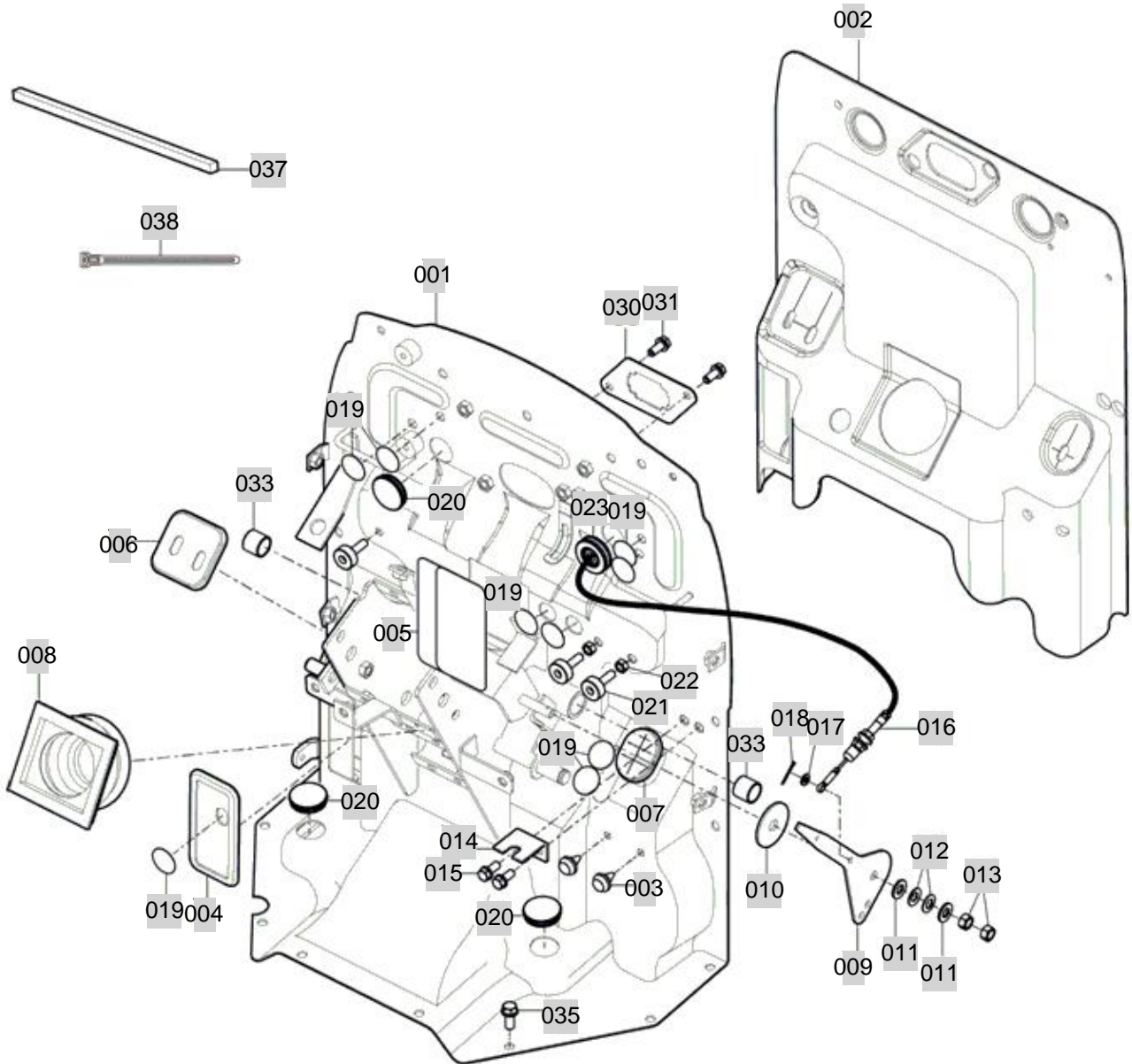
FIG 705

DASHBOARD

년/월
Year/Month

T394ST

2020.07



NOTE

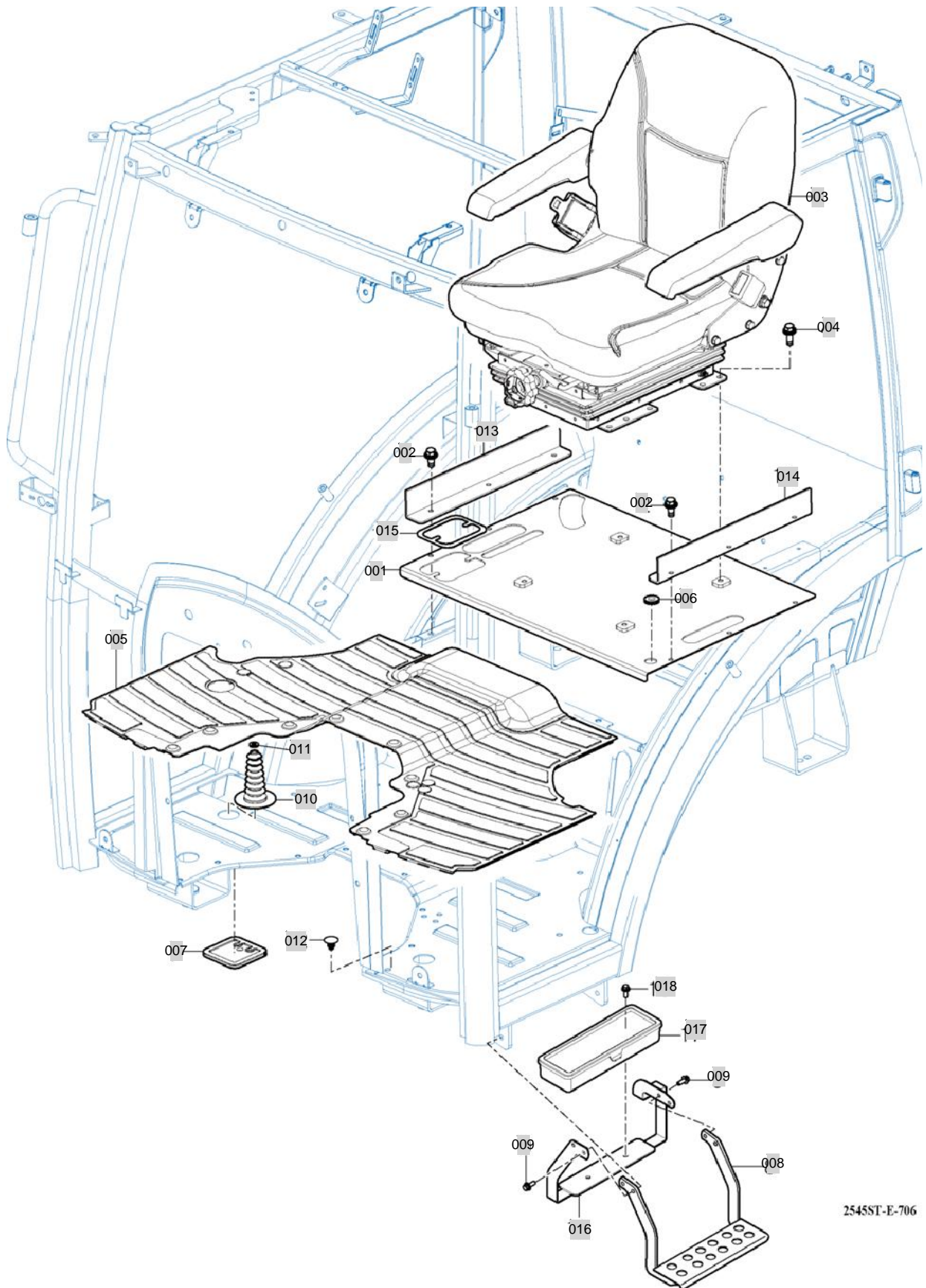
FIG 706

SEAT & MAT

년/월
Year/Month

2020.07

T394ST



2545ST-E-706

NOTE

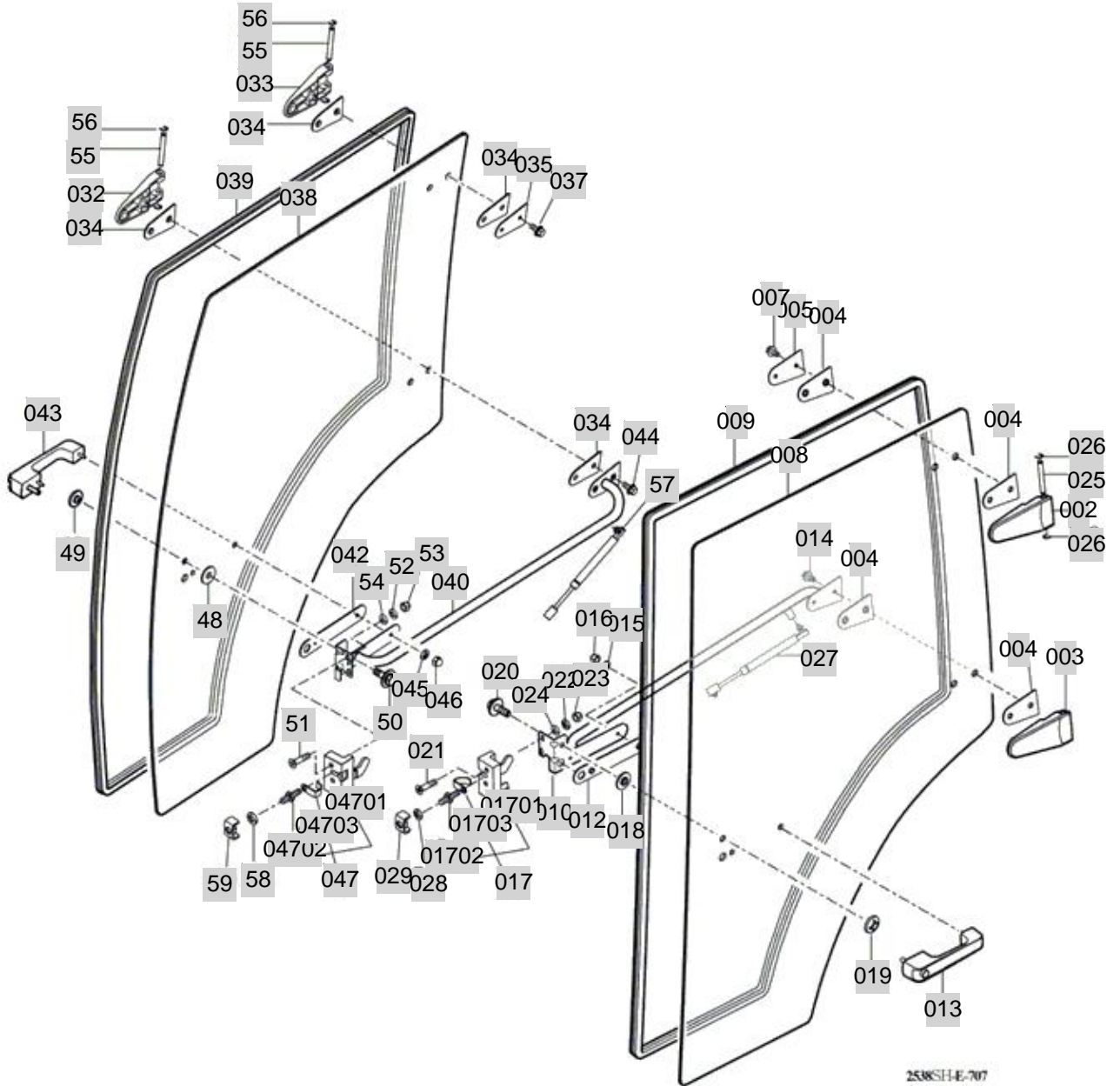
FIG 707

T394ST

DOOR

년/월
Year/Month

2020.07



NOTE

FIG 707		DOOR					년/월 Year/Month		
							2020.07		
T394ST		KEY NO	PART NO	DESCRIPTION	SPEC	QTY	REPAIR	EFFECTIVE DATE	REMARKS
707	002	14527052300	HINGE COMP , UPR/LH	1X1X1	1				
707	003	14527052400	HINGE COMP , UPR/RH	1X1X1	1				
707	004	14527052110	GASKET , DOOR HINGE	1X1X1	4				
707	005	14527052120GB	PLATE , DOOR HINGE	1X1X1	1				
707	007	V2183608020	BOLT , HEX/SP	M8X20	2			20081201	
707	008	12397052210	GLASS , LH/ DOOR	6t	1				
707	009	12397042200	INSULATOR/DOOR		1				
707	010	12397022500GB	GUIDE COMP ,LH/ DOOR		1				
707	012	14527052150	GASKET,DOOR GRIP	1X1X1	1				
707	013	14527052600	GRIP ASSY, LOCK/HANDLE	1X1X1	1				
707	014	V2183608020	BOLT , HEX/SP	M8X20	2			20081201	
707	015	V4011600060	WASHER , SPRING	M6	2			20040901	
707	016	V3402700060	NUT , HEX CAP	M6	2				
707	017	14527052700	LOCK SET , LH/DOOR	1X1X1	1				
707	01701	14527052710	LOCK ASSY, LH/DOOR	1X1X1	1				
707	01702	14527052720	STRIKER	1X1X1	1				
707	01703	14527052730	GUARD	1X1X1	1				
707	018	15817401130	GROMMET , 13X17X02		1			20061101	
707	019	14527042500	NUT COMP , GLASS	1X1X1	1				
707	020	V2193606012	BOLT , HEX/SPL	M6X12	1			20040401	
707	021	V1122608040	SCREW , C/R FLAT	M8X40	2				
707	022	V4011600080	WASHER , SPRING	M8	2			20081201	
707	023	V3412700080	NUT , SMALL CAP	M8	2				
707	024	V4111600080	WASHER , PLAIN	M8	2			20081201	
707	025	14527041110	PIN, HINGE DOOR	D=8	2				
707	026	V7082400070	E-RING	7	4				
707	027	14527301080	DAMPER ASSY , DOOR	1X1X1	1				
707	028	V4011600100	WASHER , SPRING	M10	1			20081001	
707	029	14527062500GB	BRACKET COMP , DOOR LOCK	1X1X1	1				
707	032	14527052300	HINGE COMP , UPR/LH	1X1X1	1				
707	033	14527052400	HINGE COMP , UPR/RH	1X1X1	1				
707	034	14527052110	GASKET , DOOR HINGE	1X1X1	4				
707	035	14527052120GB	PLATE , DOOR HINGE	1X1X1	1				
707	037	V2183608020	BOLT , HEX/SP	M8X20	2			20081201	
707	038	12397052110	GLASS , RH/ DOOR	6t	1				
707	039	12397042200	INSULATOR , DOOR		1				
707	040	12397024000GB	GUIDE COMP ,RH/DOOR		1				
707	042	14527052150	GASKET,DOOR GRIP	1X1X1	1				
707	043	14527052600	GRIP ASSY, LOCK/HANDLE	1X1X1	1				
707	044	V2183608020	BOLT , HEX/SP	M8X20	2			20081201	
707	045	V4011600060	WASHER , SPRING	M6	2			20040901	
707	046	V3402700060	NUT , HEX CAP	M6	2				
707	047	14527053700	LOCK SET , RH/DOOR	1X1X1	1				
707	04701	14527053710	LOCK ASSY, RH/DOOR	1X1X1	1				
707	04702	14527052720	STRIKER	1X1X1	1				
NOTE									

FIG 707		DOOR						년/월 Year/Month	
T394ST								2020.07	
KEY NO		PART NO	DESCRIPTION	SPEC	QTY	REPAIR	EFFECTIVE DATE	REMARKS	
707	04703	14527052730	GUARD	1X1X1	1				
NOTE									

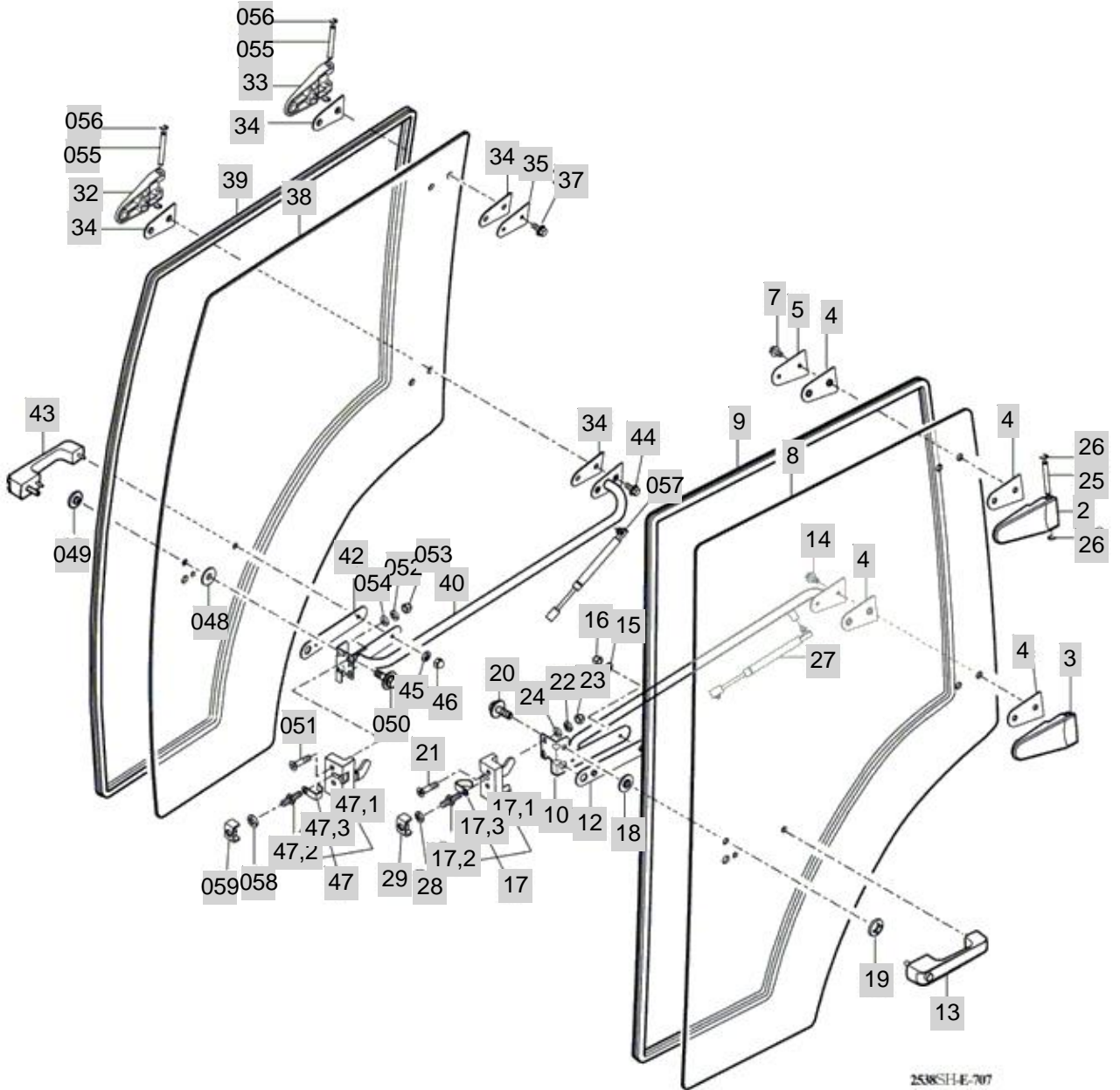
FIG 707-2

T394ST

DOOR

년/월
Year/Month

2020.07



NOTE

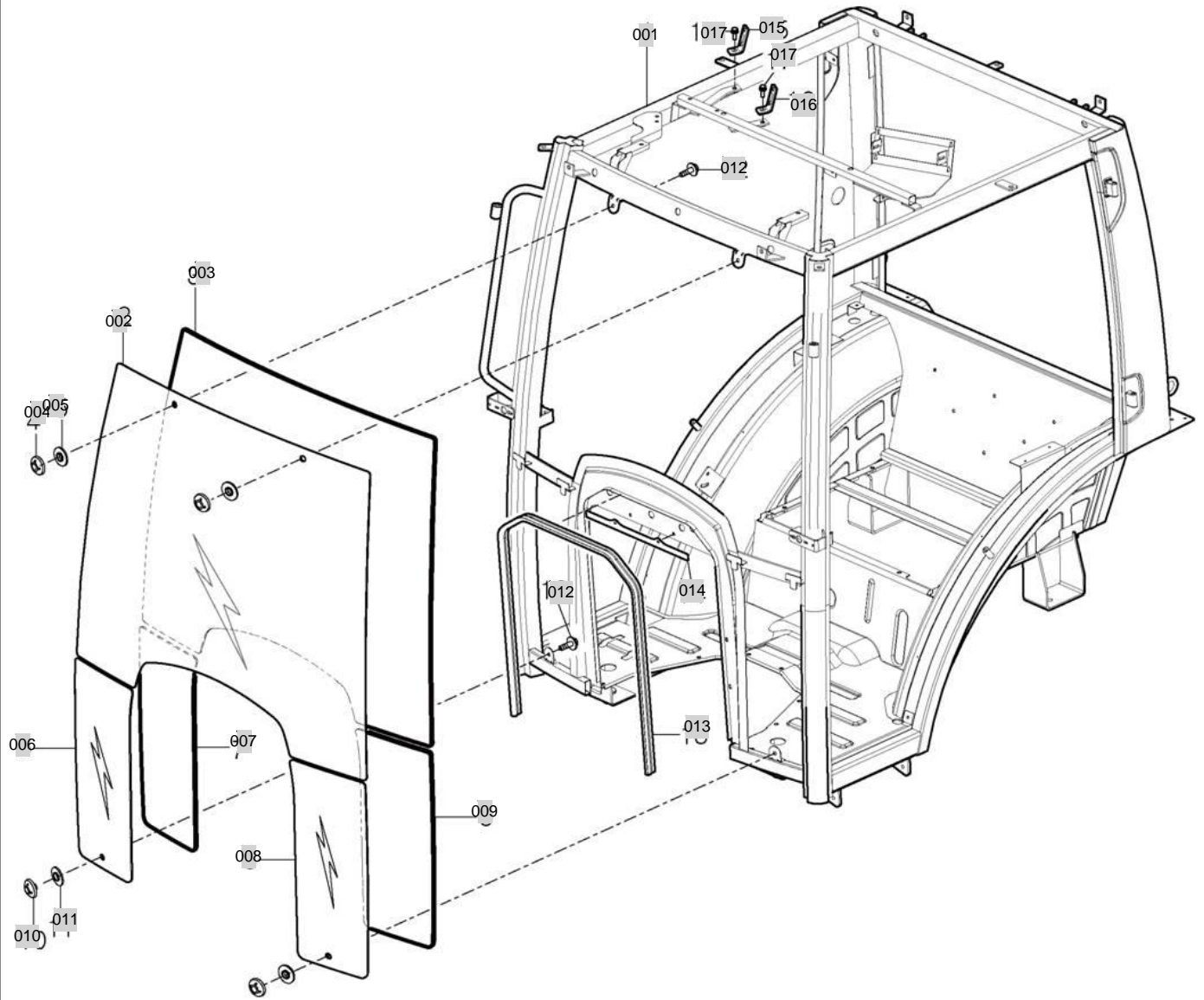
FIG 708

T394ST

FRONT GLASS

년/월
Year/Month

2020.07



NOTE

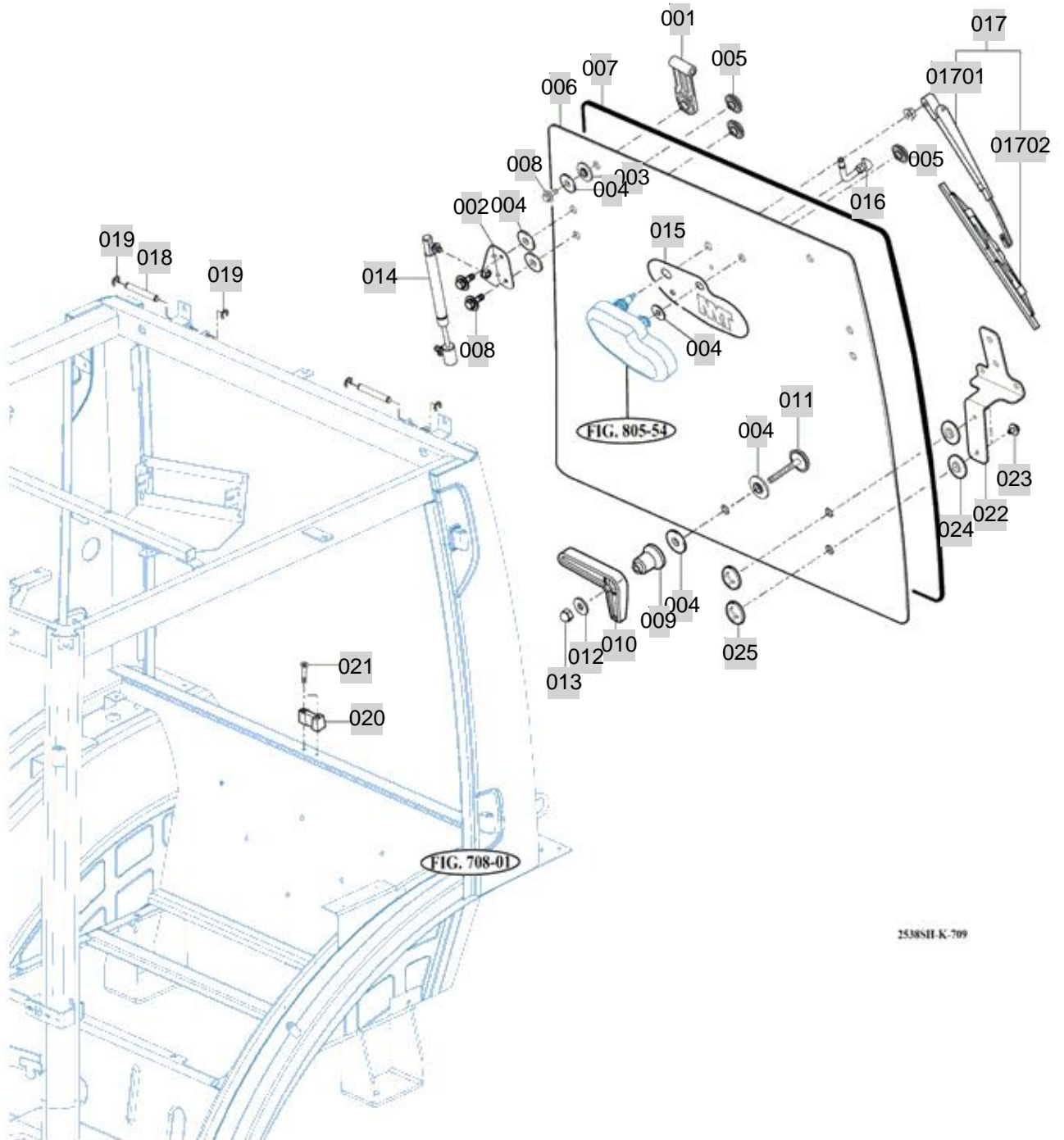
FIG 709

T394ST

REAR GLASS

년/월
Year/Month

2020.07



2538SH-K-709

NOTE

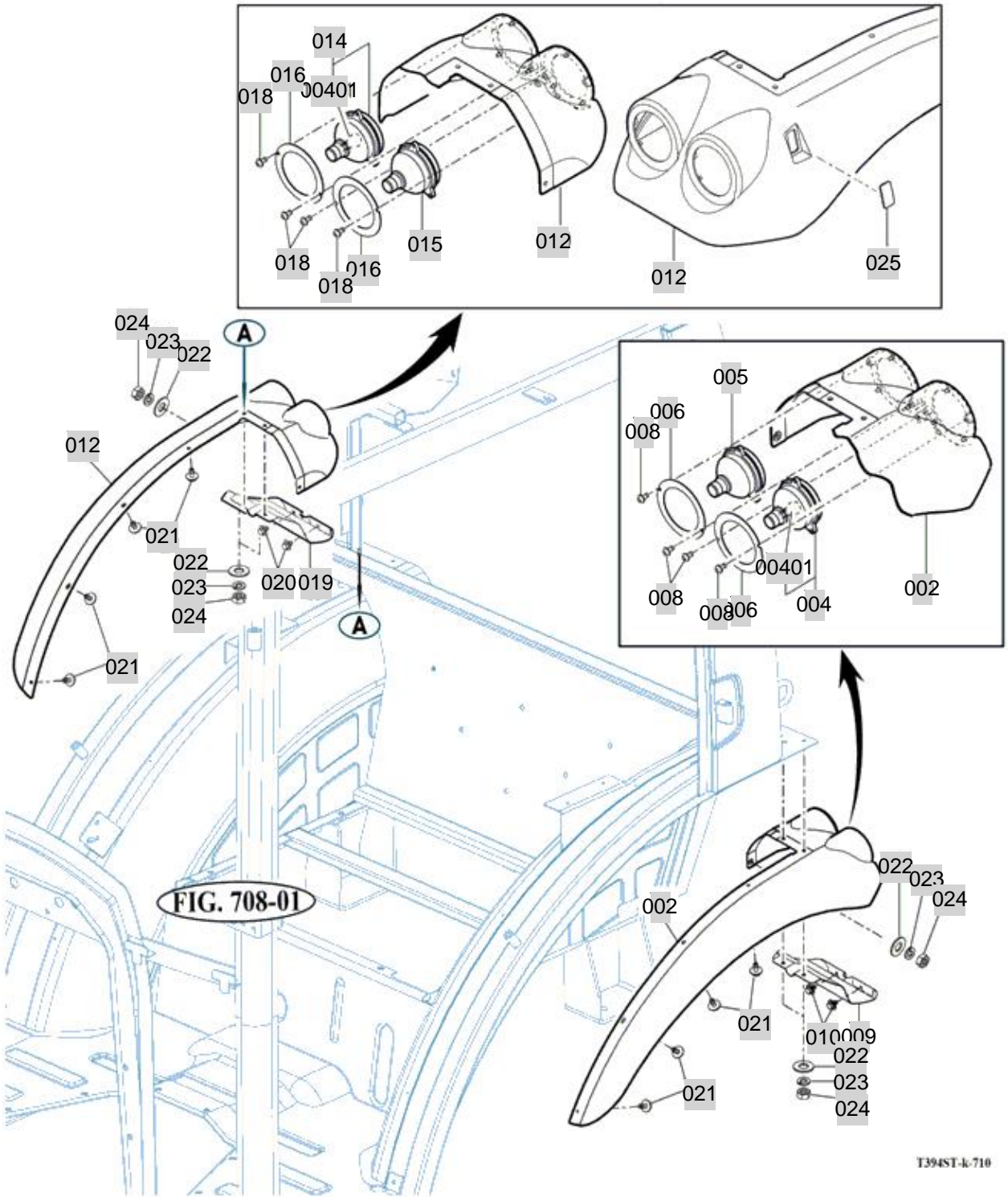
FIG 710

T394ST

SUB FENDER & COVER

년/월
Year/Month

2020.07



NOTE

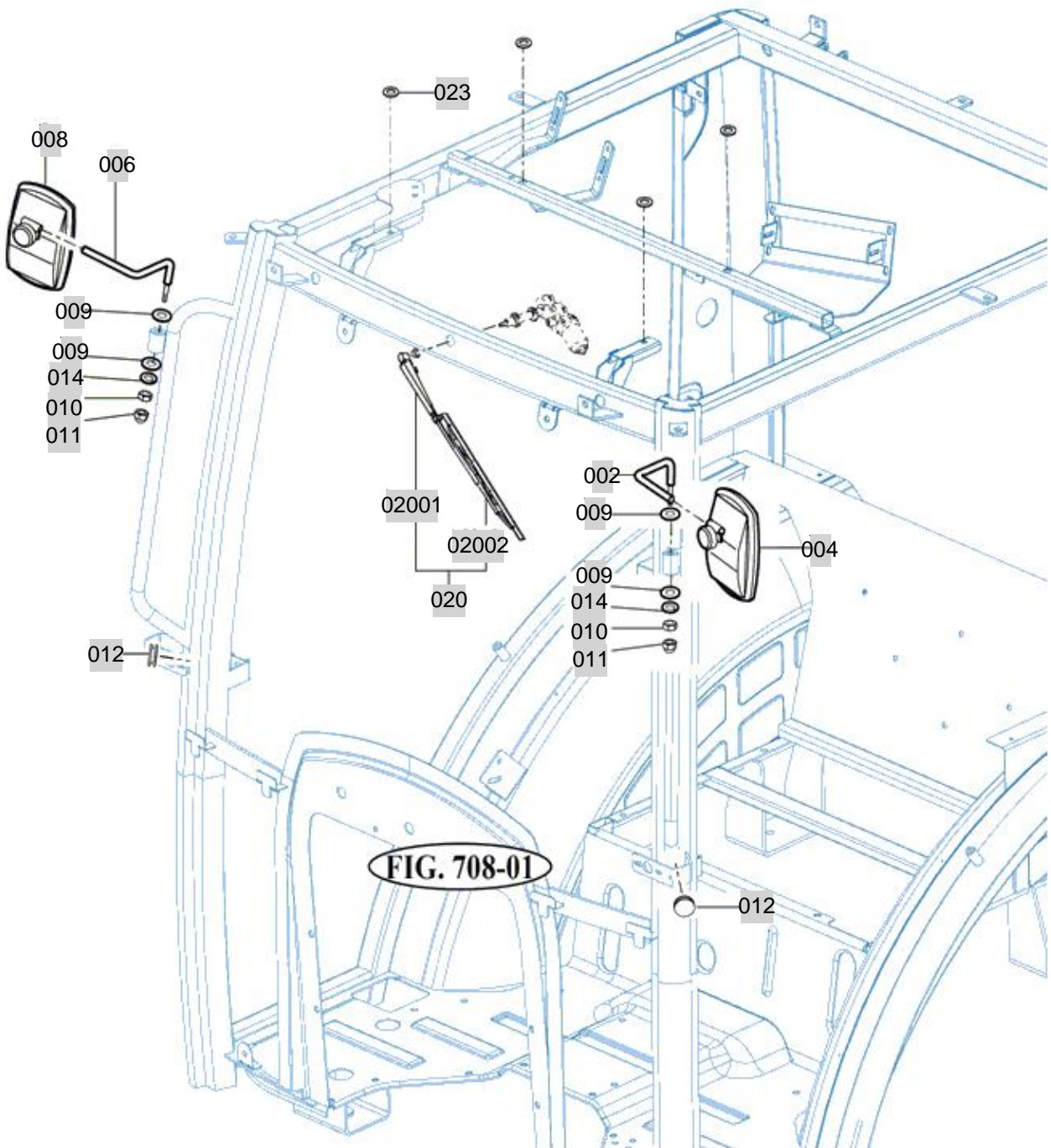
FIG 711

T394ST

MIRROR

년/월
Year/Month

2020.07



NOTE

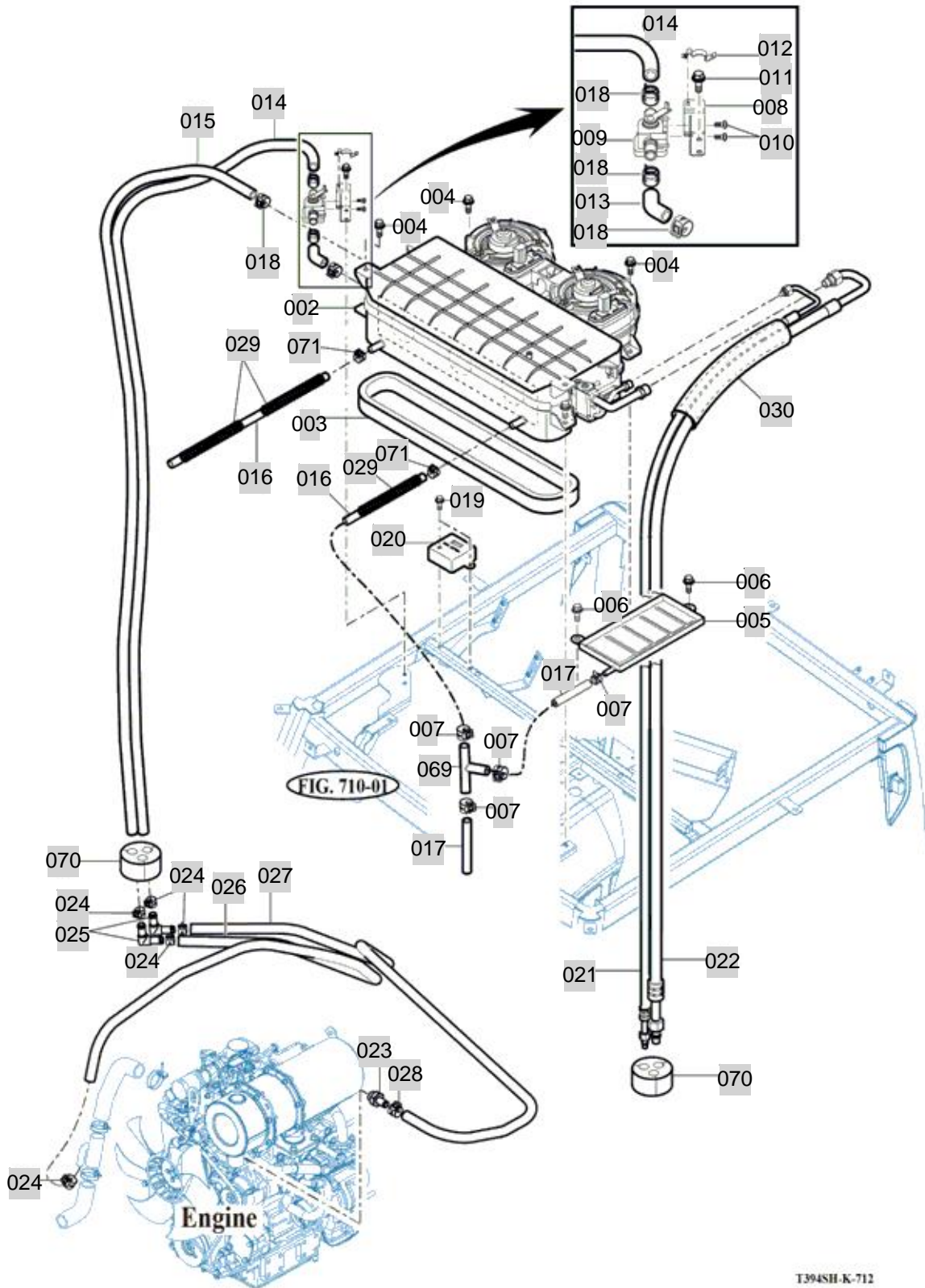
FIG 712

T394ST

HEATER & AIR-CON

년/월
Year/Month

2020.07



NOTE

FIG 712 T394ST	HEATER & AIR-CON	년/월 Year/Month
		2020.07

KEY NO	PART NO	DESCRIPTION	SPEC	QTY	REPAIR	EFFECTIVE DATE	REMARKS
712	002	12427082411	HVAC ASSY	1			
712	003	12647082420	INSULATOR, DUCT	1			
712	004	V2183608025	BOLT , HEX/SP	M8X25	4	20071001	
712	005	14527080051	PLATE, DRAIN	1	1		
712	006	V2183608020	BOLT , HEX/SP	M8X20	2	20081201	
712	007	14527081170	CLAMP, HOSE/148	T=1	4	20100416	
712	008	14527082311	BRACKET, WATER VALVE	1.6T	1		
712	009	17688202100	VALVE ASSY , WATER	1X1X1	1	20050101	
712	010	V1902604008	SCREW , TAPPING C/R PAN	M4X8	2	20050101	
712	011	V2123606016	BOLT , HEX /SP	M6X16	2	20081128	
712	012	17687025300	CLIP , CABLE	1X1X1	1	20101102	
712	013	12397081110	HOSE, OUT / WATER VALVE		1		
712	014	14527081120	HOSE, IN / WATER VALVE	1X1X1	1		
712	015	14527081130	HOSE, OUT / HEAT CORE	1X1X1	1		
712	016	19027620031	HOSE , DRAIN(2200)		2		
712	017	14527081140	HOSE, DRAIN /B	1X1X1	2	20100312	
712	018	14527081160	CLAMP, HOSE/19.3	T=1.2	4	20080601	
712	019	V2123606016	BOLT , HEX /SP	M6X16	2	20081128	
712	020	14527070072	RELAY BOX ASSY , CABIN		1		
712	021	14527081220	HOSE ASSY, SUC/NO3	1X1X1	1		
712	022	14527081210	HOSE ASSY, LIQ.NO4	1X1X1	1		
712	023	18018200060	NIPPLE , PT3/8		1		
712	024	14527081160	CLAMP, HOSE/19.3	T=1.2	5	20080601	
712	025	17688200050	ELBOW , 90		2		
712	026	10547081180	HOSE, ENGINE/IN		1		
712	027	17467081250	HEATER HOSE, ENGINE/OUT		1		
712	028	37681850160	BAND , CLAMP(22)		1	20101027	
712	029	14527081881	SPRING , HOSE		3		
712	030	16998201771	INSULATOR , SUCTION	1X1X1	1		
712	069	12397620060	ELBOW , T		1		
712	070	14527081260	SEAL, PIPE	1X1X1	2		
712	071	12427082530	CLAMP, HOSE 15.1		2		

NOTE

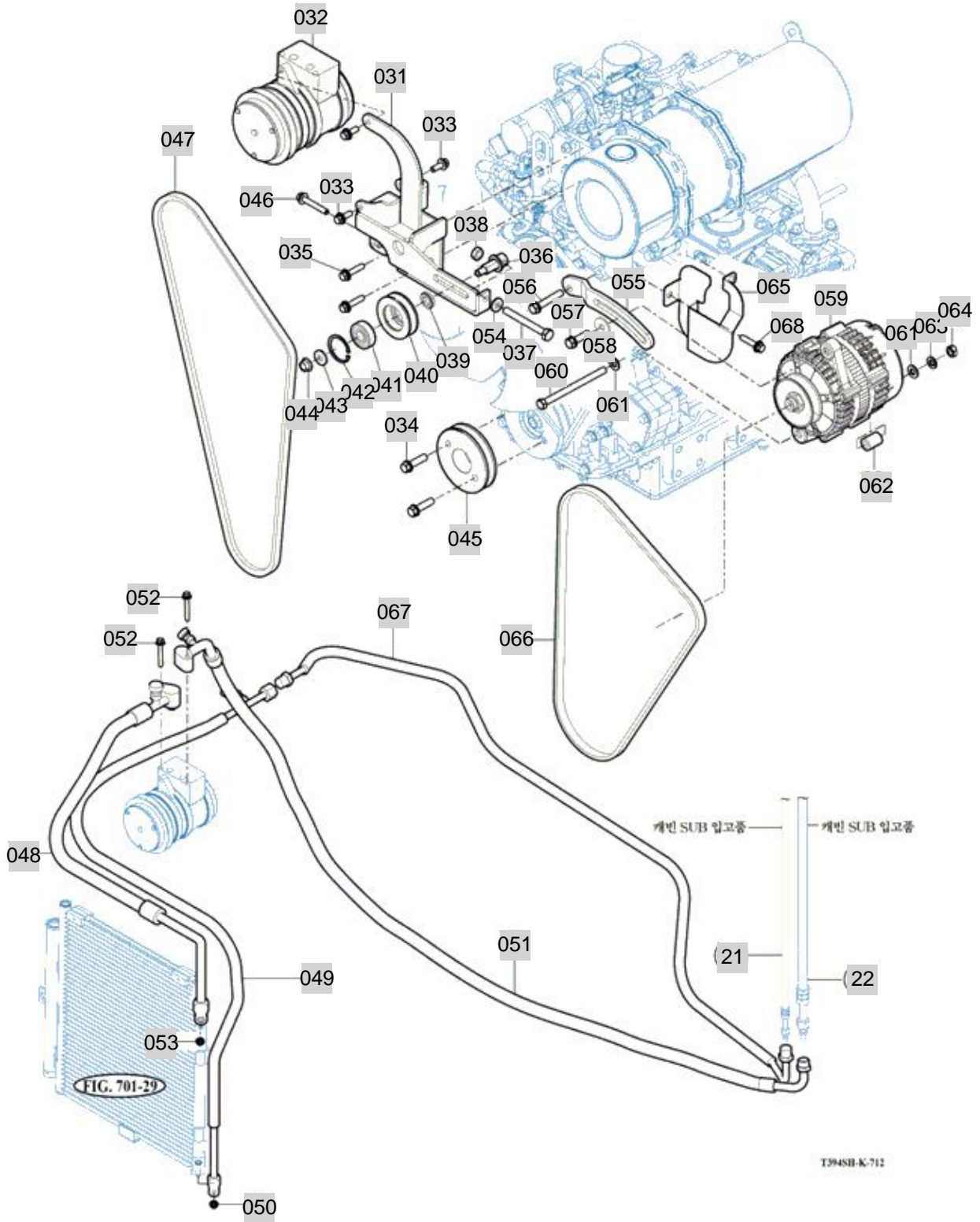
FIG 712-2

HEATER & AIR-CON

년/월
Year/Month

T394ST

2020.07



NOTE

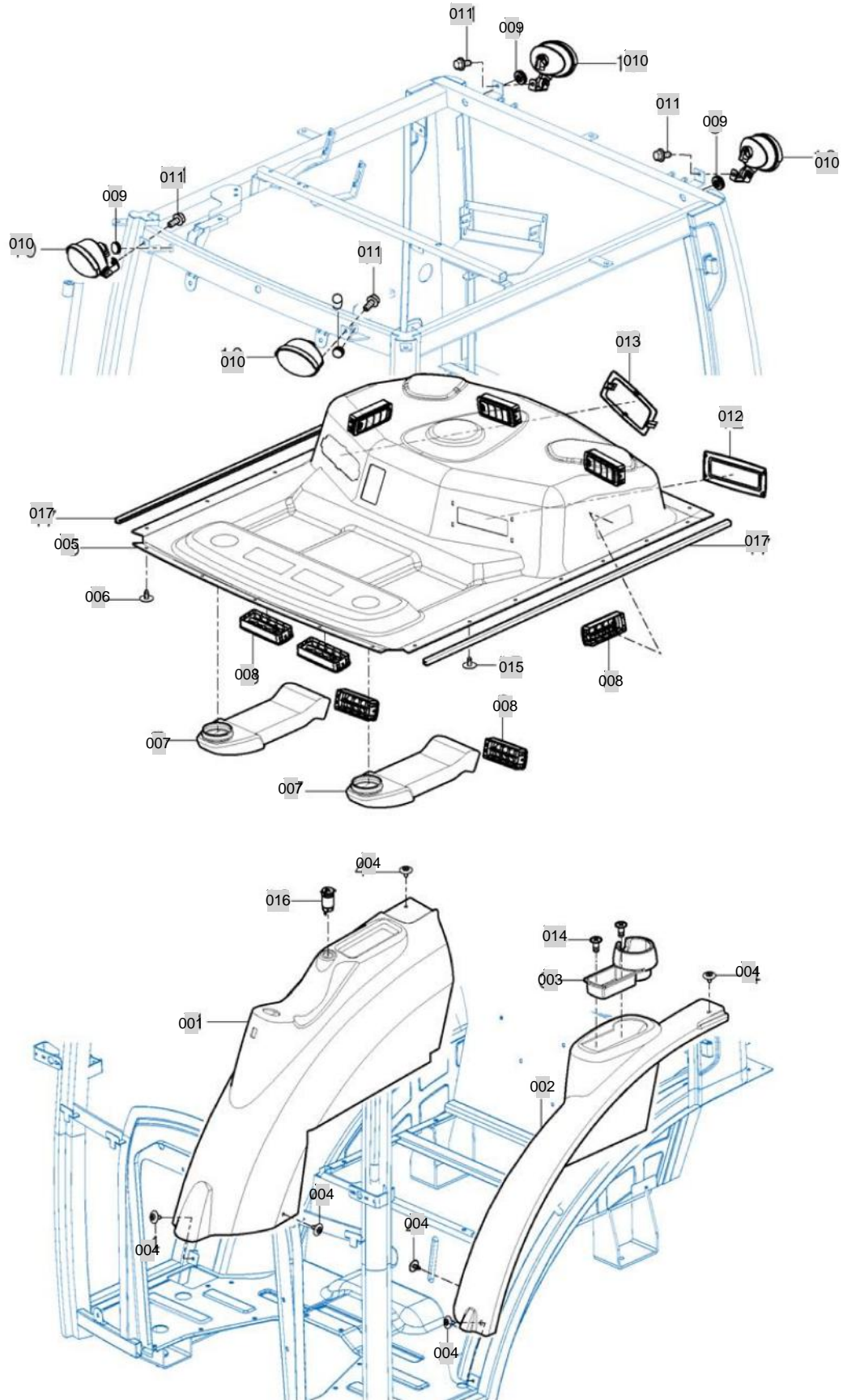
FIG 713

FENDER COVER

년/월
Year/Month

2020.07

T394ST



NOTE

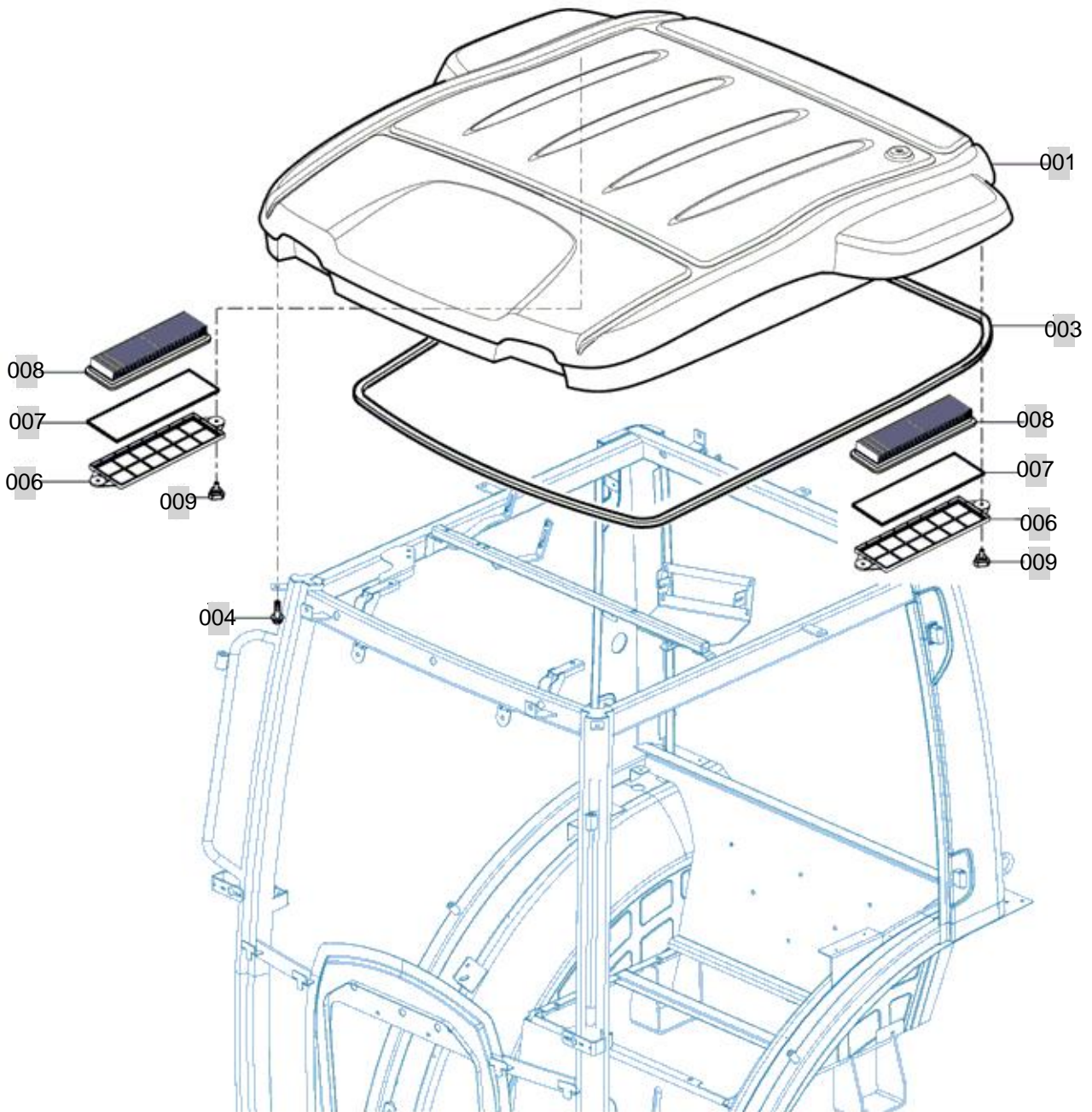
FIG 714

T394ST

ROOF

년/월
Year/Month

2020.07



NOTE

FIG 714		ROOF					년/월 Year/Month	2020.07
T394ST								
KEY NO	PART NO	DESCRIPTION	SPEC	QTY	REPAIR	EFFECTIVE DATE	REMARKS	
714	001	12397072200SR	ROOF COMP					
714	003	12397072110	INSULATOR , ROOF					
714	004	V2183608030	BOLT , HEX/SP	M8X30	5	20040401		
714	006	14527072411	COVER, AIR FILTER	1X1X1	2			
714	007	14527072420	FILTER , AIRCON / MESH	1X1X1	2			
714	008	14527072500	FILTER , AIR /MAIN	1X1X1	2			
714	009	21575070110	BOLT , GRIP(M6)		4			
NOTE								

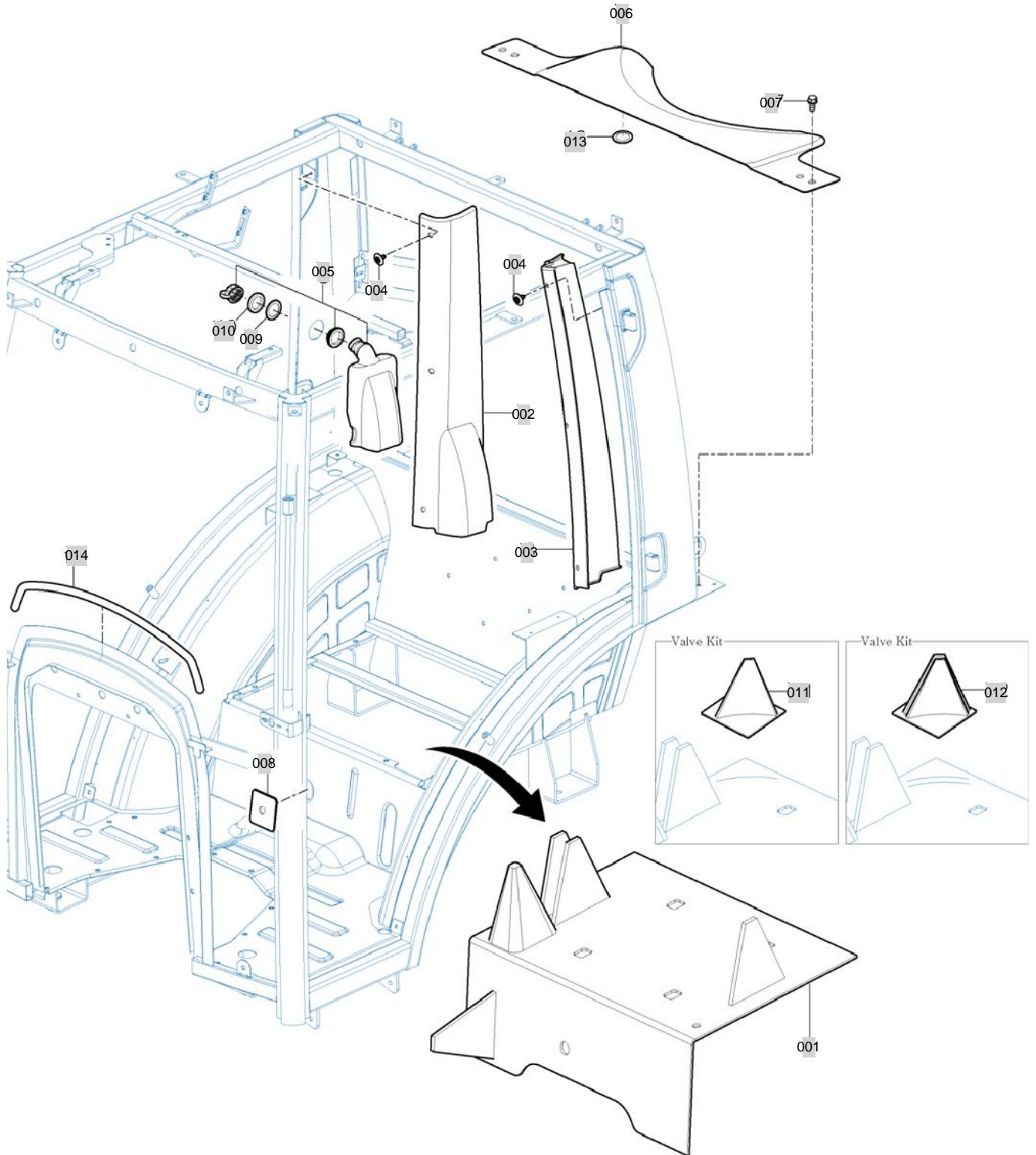
FIG 715

CABIN INTERIOR

년/월
Year/Month

T394ST

2020.07



NOTE

FIG 715 T394ST			CABIN INTERIOR					년/월 Year/Month	
								2020.07	
KEY NO	PART NO	DESCRIPTION	SPEC	QTY	REPAIR	EFFECTIVE DATE	REMARKS		
715	001	12648033300	SEAL , SEAT						
715	002	12397075070	COVER , B PILLAR/RH						
715	003	12397075080	COVER , B PILLAR/LH						
715	004	17686040030	RIVET SET , ivory	SV625		20100108			
715	005	12397074100	WASHER TANK ASSY , Z MOTOR						
715	006	12397075090SR	COVER , FUEL TANK						
715	007	V2183608020	BOLT , HEX/SP	M8X20		20081201			
715	008	12396400010	LABEL , SEAL PANEL						
715	009	12397023480	RUBBER , CAP FIX						
715	010	12397074200	NUT , WASHER TANK						
715	011	10548033400	BOOTS , REAR REMOTE(2P)				VALVE KIT		
715	012	12348033400	BOOTS , REAR REMOTE(4P)				VALVE KIT		
715	013	12397023480	RUBBER , CAP FIX						
715	014	11347072100	INSULATOR , DASH FRAME						
NOTE									

8. ELECTRICALS & HARNESS PART NO. T394ST-C8

FIG 801 BATTERY & MOUNTING	185
FIG 802 LIGHTS	187
FIG 803 INSTRUMENT PANEL	189
FIG 804 ELECTRIC SYSTEM	191
FIG 805 HARNESS (1)	193
FIG 806 HARNESS (2)	195

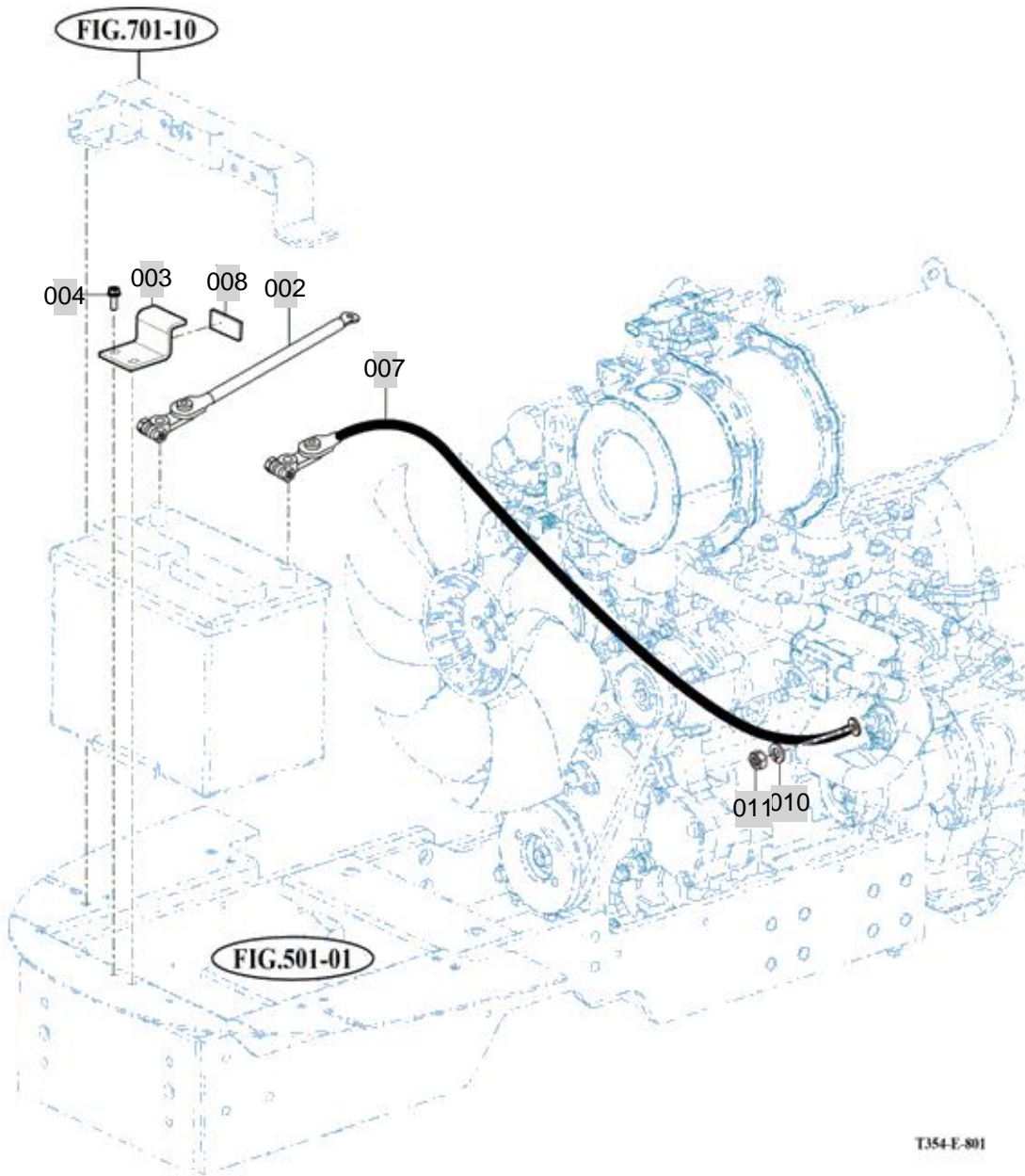
FIG 801

T394ST

BATTERY & MOUNTING

년/월
Year/Month

2020.07



NOTE

FIG 801		BATTERY & MOUNTING					년/월 Year/Month	
T394ST							2020.07	
KEY NO	PART NO	DESCRIPTION	SPEC	QTY	REPAIR	EFFECTIVE DATE	REMARKS	
801	001	14216000522	BATTERY ASSY , 12V80AH			1		
801	002	13016503001	HARNESS	1X1X1		1		
801	003	17406870011GB	BRACKET, BATTERY FIX			1		
801	004	V2323606020	BOLT , C/R HEX/SP	M6X20		2		
801	007	11116502001	CABLE ASSY , BATTERY			1		
801	008	11101032400	SPONGE , AIRCLEANER			1		
801	010	V4011600080	WASHER , SPRING	M8		1	20081201	
801	011	V3042600080	NUT , HEX/2	M8		1	20081201	
NOTE								

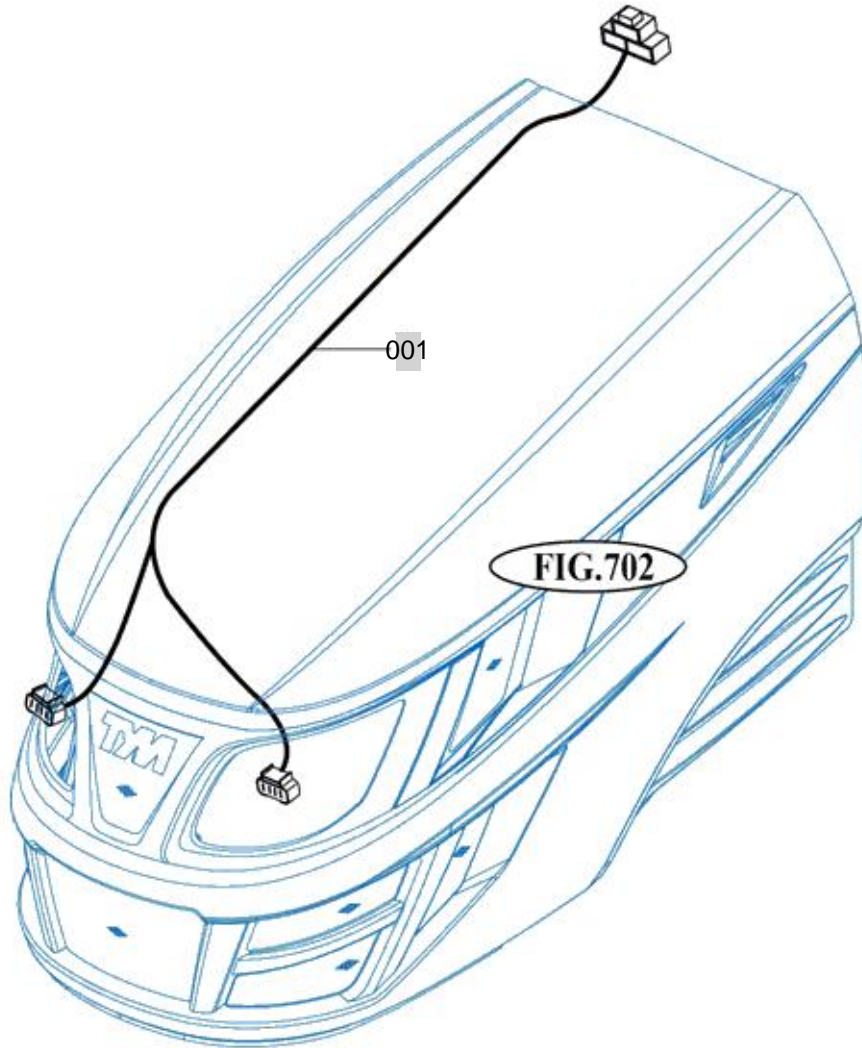
FIG 802

T394ST

LIGHTS

년/월
Year/Month

2020.07



NOTE

FIG 802 T394ST		LIGHTS						년/월 Year/Month	
								2020.07	
KEY NO		PART NO	DESCRIPTION	SPEC	QTY	REPAIR	EFFECTIVE DATE	REMARKS	
802	001	11106685001	HARNESS ASSY, HEAD LAMP		1				
NOTE									

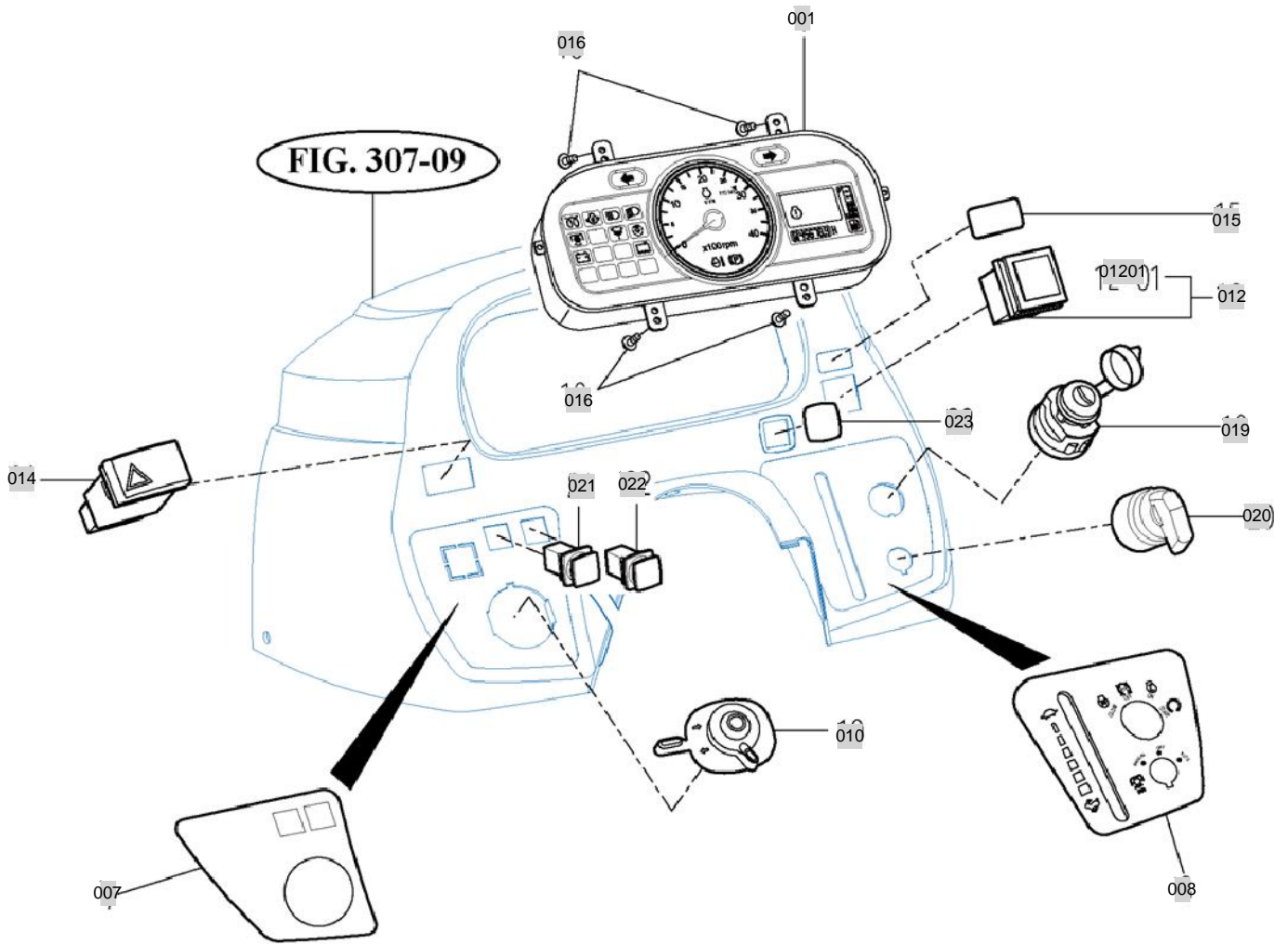
FIG 803

T394ST

INSTRUMENT PANEL

년/월
Year/Month

2020.07



T394ST-E-803

NOTE

FIG 804

ELECTRIC SYSTEM

년/월
Year/Month

2020.07

T394ST

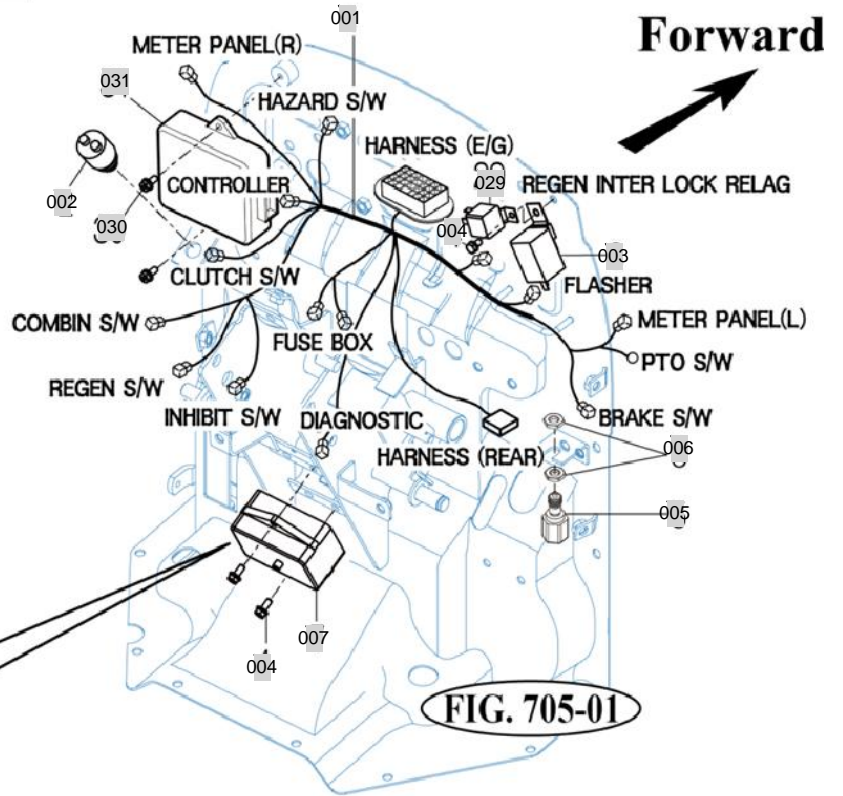
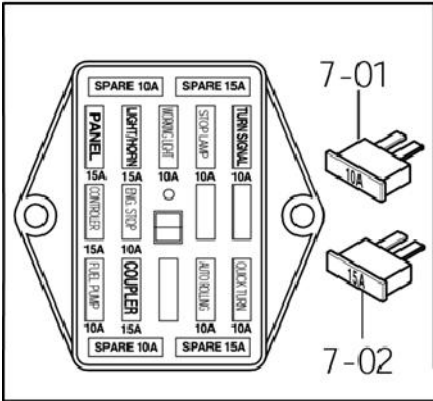
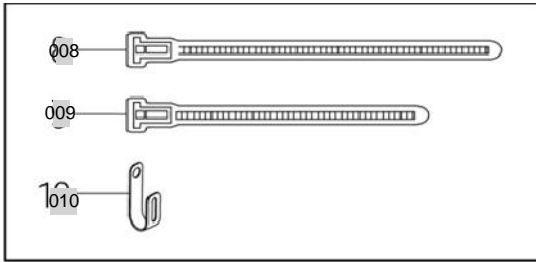
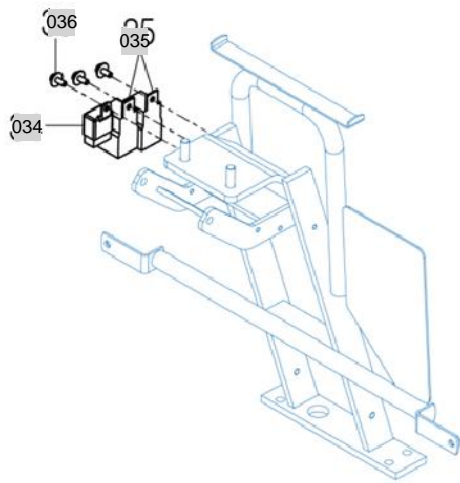
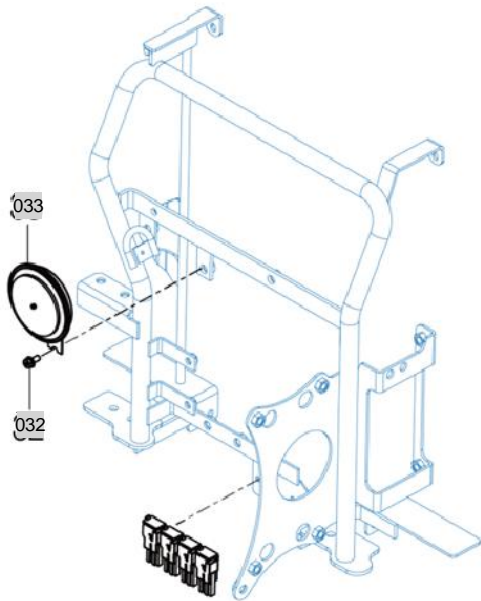


FIG. 705-01



T394ST-E-804

NOTE

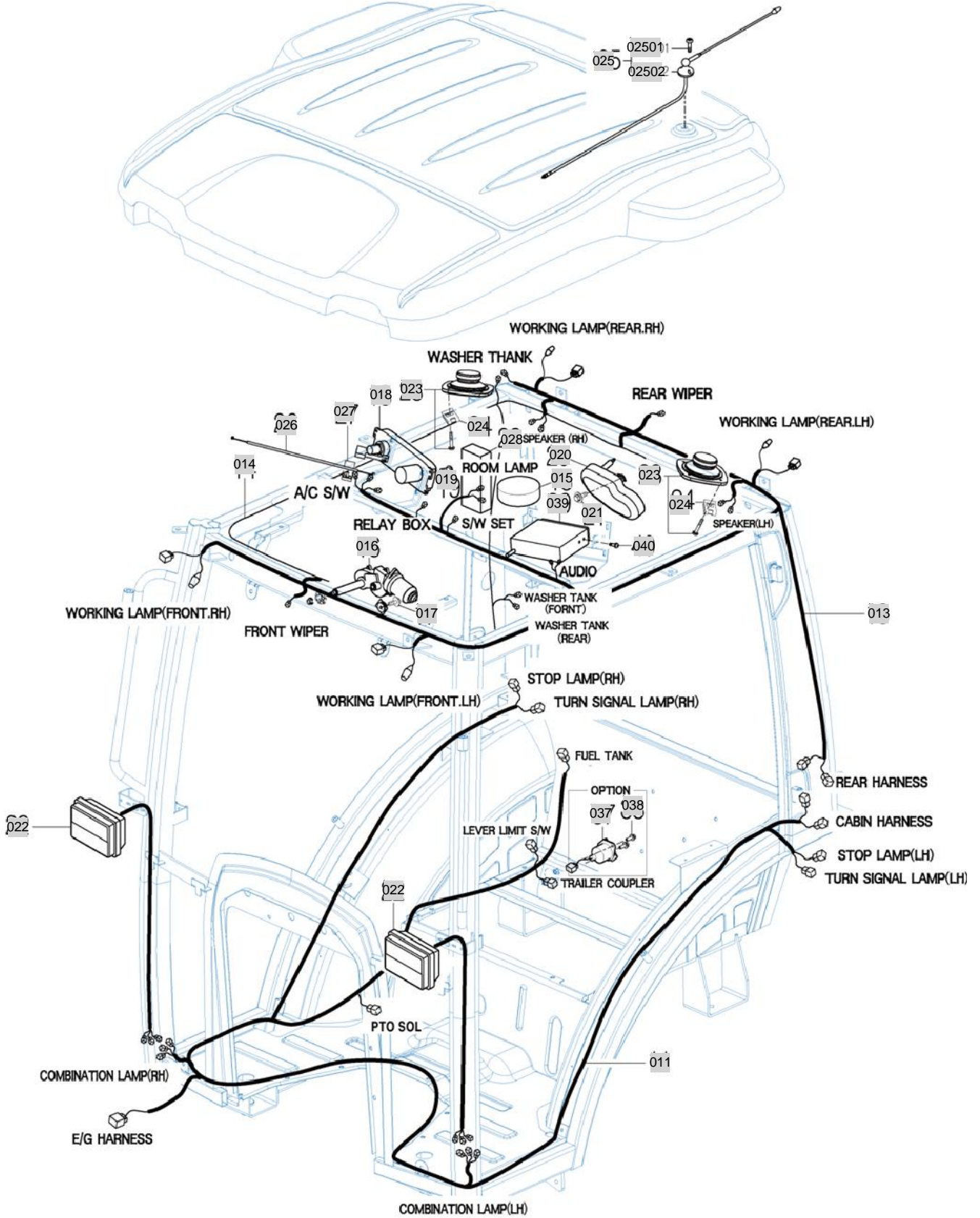
FIG 805

HARNES (1)

년/월
Year/Month

T394ST

2020.07



T394ST-E-804

NOTE

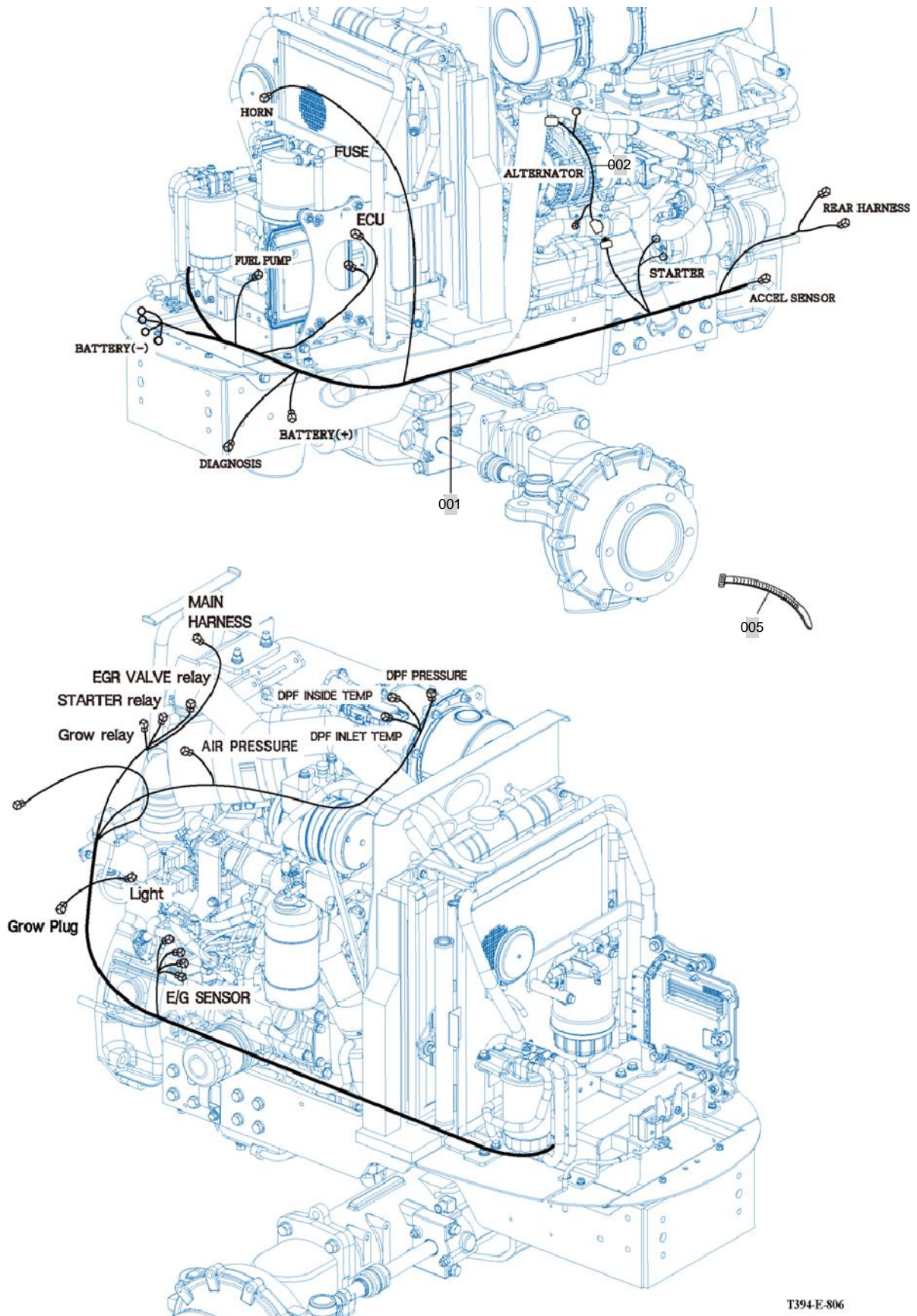
FIG 806

T394ST

HARNESS (2)

년/월
Year/Month

2020.07



T394-E-806

NOTE

9. WEIGHT,LABEL,TOOLS PART NO. T394ST-C9

FIG 901 TOOL & ACCESSORY	198
FIG 902 LABEL	200
FIG 902-2 LABEL	202
FIG 903 WEIGHT	204

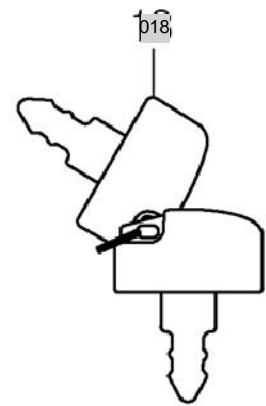
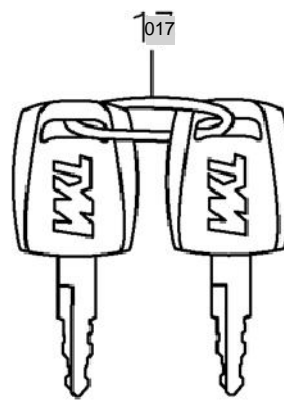
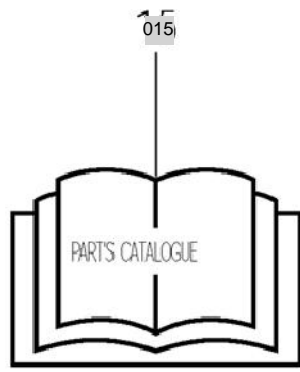
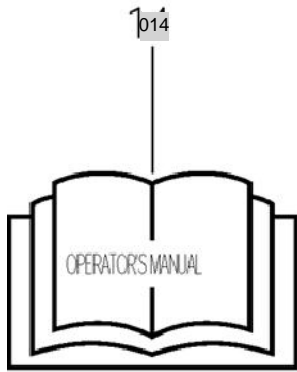
FIG 901

T394ST

TOOL & ACCESSORY

년/월
Year/Month

2020.07



2538SH-E-901

NOTE

FIG 902

LABEL

년/월
Year/Month

T394ST

2020.07

WARNING

Do not refuel the tractor while smoking or near naked flame or sparks, always stop engine before refueling tractors.

015

WARNING

Work in ventilated Area.

0111

DANGER

Do not ride except operator.

012



CAUTION

Do not touch while the system is hot. It cause serious burns

005



029



020



028



002



021

SPEED TABLES

APPLICATION	GEAR	THROTTLE	MIN. FUEL	MIN. RPM	MIN. TORQUE	MIN. FUEL	MIN. RPM	MIN. TORQUE
DRIVE	1	2	3	4	5	6	7	8
PTO	1	2	3	4	5	6	7	8
MAIN SHFT	1	2	3	4	5	6	7	8
SUB SHFT	L	M	H					

1. The proper driving speed and PTO RPM depend on the type of work, terrain and ground conditions.
2. For your safety, operate the tractor at the suitable speed.

046



047

WARNING

Do not use the sub-shift lever at "H" position when driving backward.

010



WASHER FLUID ONLY

040

WARNING

Stay clear of raised Boom and bucket.

042

WARNING

Never use the diff-lock at high speed or on the road as this can cause rollover and injury.

016



019

WARNING

Always set the knob to lock when:
1. Travelling on the road.
2. Replacing blades on an implement.
3. Making adjustment to an implement.
Sudden dropping of an implement can cause serious injury or death.

033

WARNING

Always fasten Your seat belt.

013

WARNING

Do not remove radiator cap while engine is hot. Hot steam will injure you.

007

CAUTION

Keep hands and clothing away from rotating fan and belts to prevent serious injury.

006

NOTE

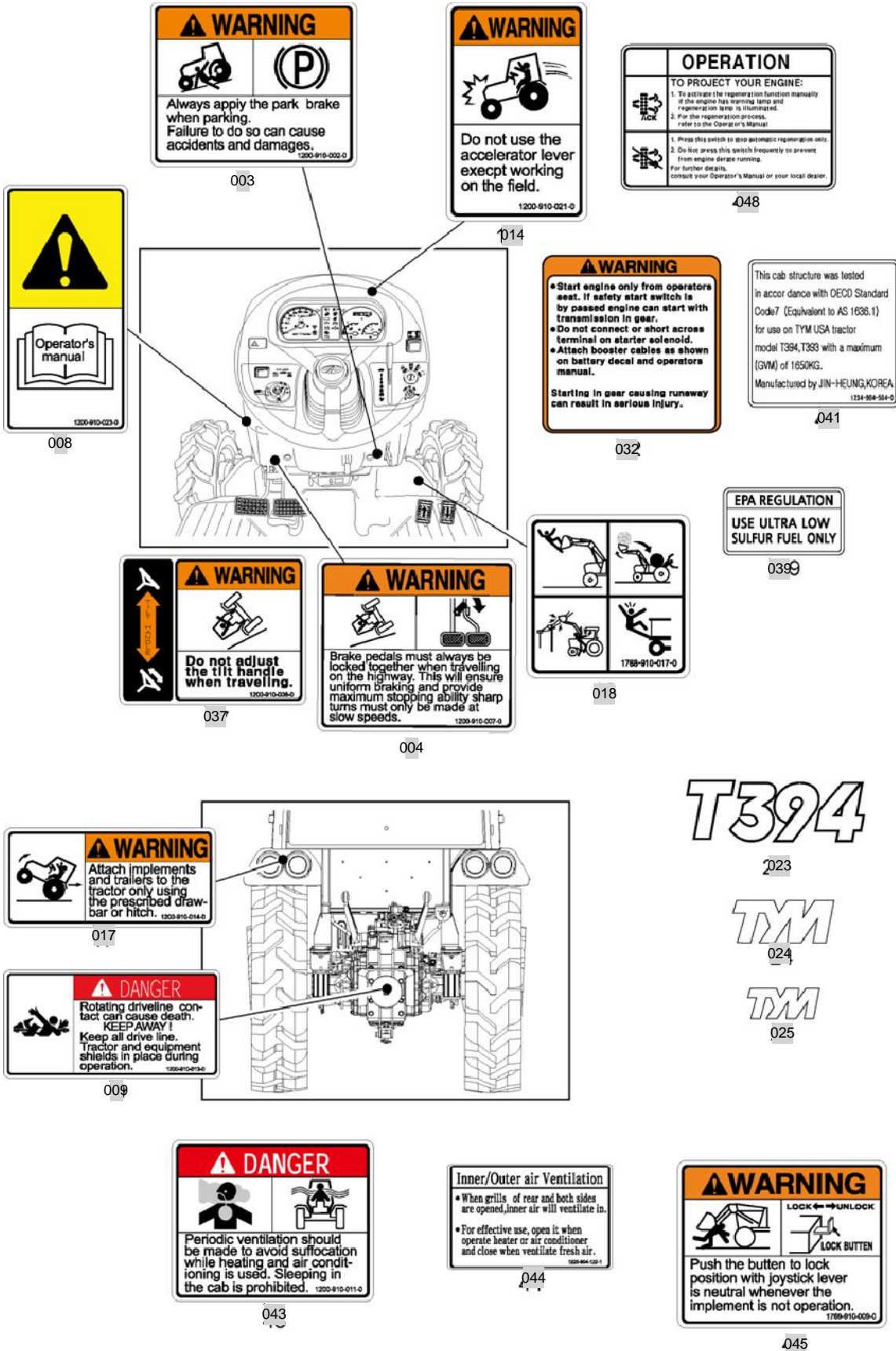
FIG 902-2

LABEL

년/월
Year/Month

T394ST

2020.07



NOTE

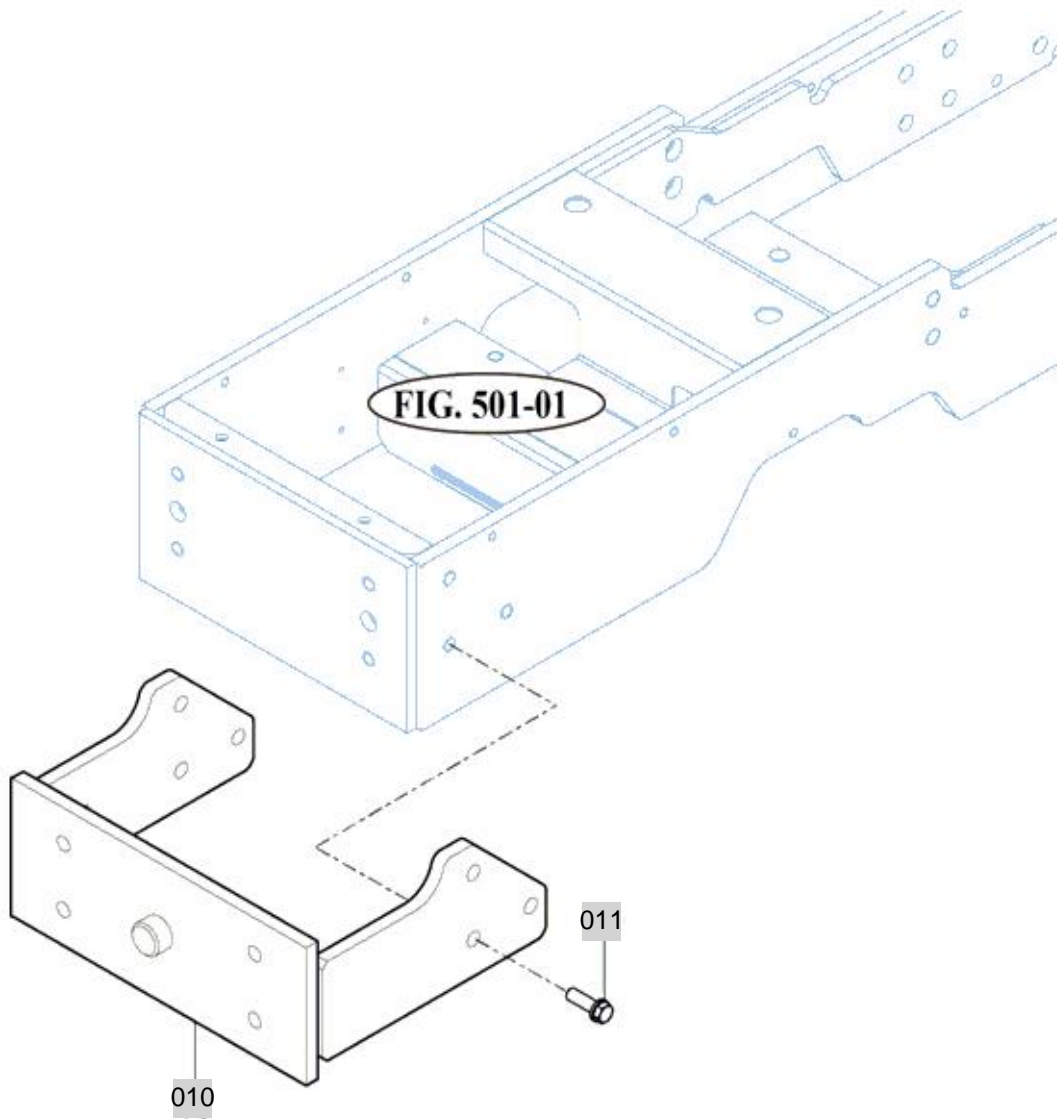
FIG 903

T394ST

WEIGHT

년/월
Year/Month

2020.07



NOTE

