

T394NH

## Parts Catalog

# 목 차

---

---

## 1. ENGINE PART NO. T394NH-C1

FIG 101 CYLINDER BLOCK	7
FIG 102 GEAR HOUSING	9
FIG 103 FLYWHEEL HOUSING & OIL SUMP	11
FIG 104 CYLINDER HEAD & BONNET	13
FIG 105 SUCTION MANIFOLD	16
FIG 106 EXHAUST MANIFOLD	18
FIG 107 DIESEL PARTICULATE FILTER(DPF)	20
FIG 108 CAMSHAFT & DRIVING GEAR	22
FIG 109 CRANKSHAFT & PISTON	24
FIG 110 LUB.OIL SYSTEM	26
FIG 111 COOLING WATER SYSTEM	28
FIG 112 FUEL SUPPLY PUMP	30
FIG 113 FUEL INJECTION VALVE	32
FIG 114 FUEL PIPE	34
FIG 115 STARTER MOTOR	36
FIG 116 ALTERNATOR	38
FIG 117 ELECTRONIC CONTROL UNIT(ECU)	40
FIG 118 ELECTRIC PARTS	42

## 2. ENGINE ACCESSORIES & CONTROL PART NO. T394NH-C2

FIG 201 AIR CLEANER	45
FIG 202 RADIATOR	47
FIG 203 MUFFLER	49
FIG 204 FUEL TANK & HOSE	51
FIG 205 OIL COOLER	53

## 3. CLUTCH,BRAKE,STEERING PART NO. T394NH-C3

FIG 301 FLYWHEEL & CLUTCH	56
FIG 302 BRAKE PEDAL	58

FIG 303 BRAKE	60
FIG 304 FRONT WHEEL MOUNTING	62
FIG 305 REAR WHEEL MOUNTING	64
FIG 306 STEERING WHEEL & DASH COVER	66
FIG 307 STEERING VALVE & TILT	68
FIG 308 STEERING CYLINDER	70

#### 4. TRANSMISSION & REAR AXLE PART NO. T394NH-C4

FIG 401 TRANSMISSION FRONT CASE	73
FIG 402 HST	75
FIG 403 MID CASE	77
FIG 404 4WD DRIVE GEAR	79
FIG 405 INPUT GEAR	81
FIG 406 SUB CHANGE GEARS	83
FIG 407 PINION GEARS	85
FIG 408 P.T.O DRIVE SHAFT	87
FIG 409 P.T.O CHANGE GEARS	89
FIG 410 DIFF LOCK	91
FIG 411 TRANSMISSION REAR CASE	93
FIG 412 REAR AXLE HOUSINGS(1)	95
FIG 413 REAR AXLE HOUSINGS(2)	97
FIG 414 MID P.T.O GEARS	99
FIG 415 SUB CHANGE LEVER	101
FIG 416 FORWARD & REVERSE CONTROL LINKAGE	103
FIG 417 CRUISE CONTROL KIT(OPTION)	105
FIG 418 4WD CHANGE LEVER	107

#### 5. FRONT AXLE PART NO. T394NH-C5

FIG 501 FRONT AXLE BRACKET	110
FIG 502 FRONT DIFFERENTIAL GEARS	112
FIG 503 FRONT AXLE HOUSING	114
FIG 504 FRONT GEAR CASE (1)	116
FIG 505 FRONT GEAR CASE (2)	118

#### 6. HYDRAULICS & 3-POINT LINK PART NO. T394NH-C6

FIG 601 GEAR PUMP	121
-------------------	-----

FIG 602 CYLINDER CASE	123
FIG 603 LIFT ARM	125
FIG 604 CYLINDER	127
FIG 605 POSITION LINK(1)	129
FIG 606 POSITION LINK(2)	131
FIG 607 CONTROL VALVE	133
FIG 608 POSITION LEVER	135
FIG 609 HYDRAULIC PIPE(1)	137
FIG 610 HYDRAULIC PIPE(2)	139
FIG 611 EXTERIOR HYD.VALVE	141
FIG 611-1 VALVE KIT	143
FIG 612 3-POINT LINK	145
FIG 613 HITCH & COVER	147

## 7. SHEET METAL & R.O.P.S PART NO. T394NH-C7

FIG 701 BONNET (1)	150
FIG 702 BONNET (2)	152
FIG 704 FENDER, REAR FRAME & MUDGUARD	154
FIG 705 ROPS	157
FIG 706 DASHPANEL	159
FIG 707 FLOOR	161
FIG 708 SEAT	163
FIG 709 FLOOR MOUNTING	165

## 8. ELECTRICALS & HARNESS PART NO. T394NH-C8

FIG 801 BATTERY & MOUNTING	168
FIG 802 LIGHTS	170
FIG 803 INSTRUMENT PANEL	172
FIG 804 ELECTRIC SYSTEM	174
FIG 805 HARNESS (1)	176
FIG 806 HARNESS (2)	178

## 9. WEIGHT, LABEL , TOOLS PART NO. T394NH-C9

FIG 901 TOOL & ACCESSORY	181
FIG 902 LABEL	183

FIG 902-2 LABEL

185

FIG 903 WEIGHT

187

# 1. ENGINE PART NO. T394NH-C1

FIG 101 CYLINDER BLOCK	7
FIG 102 GEAR HOUSING	9
FIG 103 FLYWHEEL HOUSING & OIL SUMP	11
FIG 104 CYLINDER HEAD & BONNET	13
FIG 105 SUCTION MANIFOLD	16
FIG 106 EXHAUST MANIFOLD	18
FIG 107 DIESEL PARTICULATE FILTER(DPF)	20
FIG 108 CAMSHAFT & DRIVING GEAR	22
FIG 109 CRANKSHAFT & PISTON	24
FIG 110 LUB.OIL SYSTEM	26
FIG 111 COOLING WATER SYSTEM	28
FIG 112 FUEL SUPPLY PUMP	30
FIG 113 FUEL INJECTION VALVE	32
FIG 114 FUEL PIPE	34
FIG 115 STARTER MOTOR	36
FIG 116 ALTERNATOR	38
FIG 117 ELECTRONIC CONTROL UNIT(ECU)	40
FIG 118 ELECTRIC PARTS	42

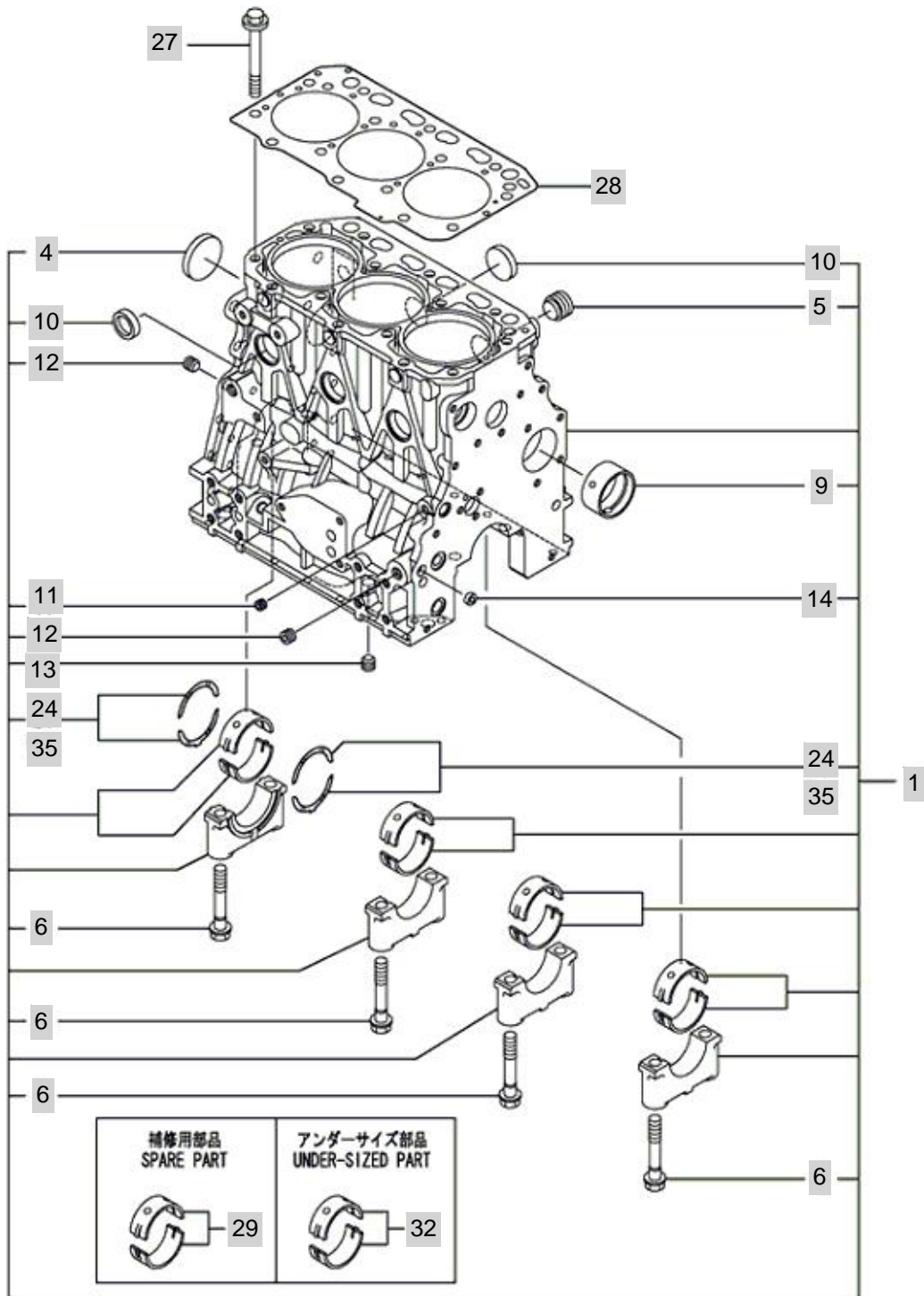
FIG 101

CYLINDER BLOCK

년/월  
Year/Month

2020.07

T394NH



NOTE





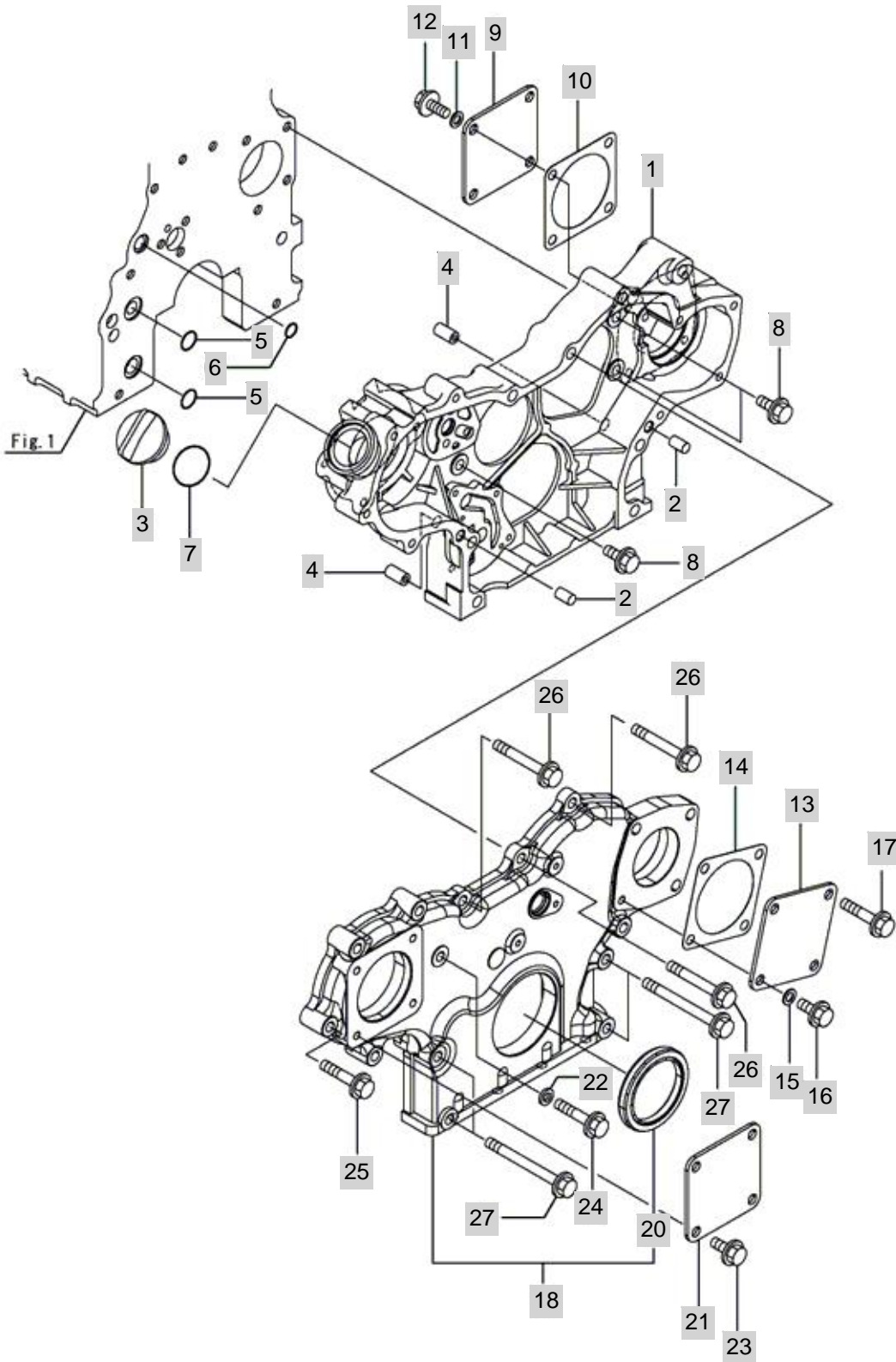
FIG 102

GEAR HOUSING

년/월  
Year/Month

2020.07

T394NH



NOTE

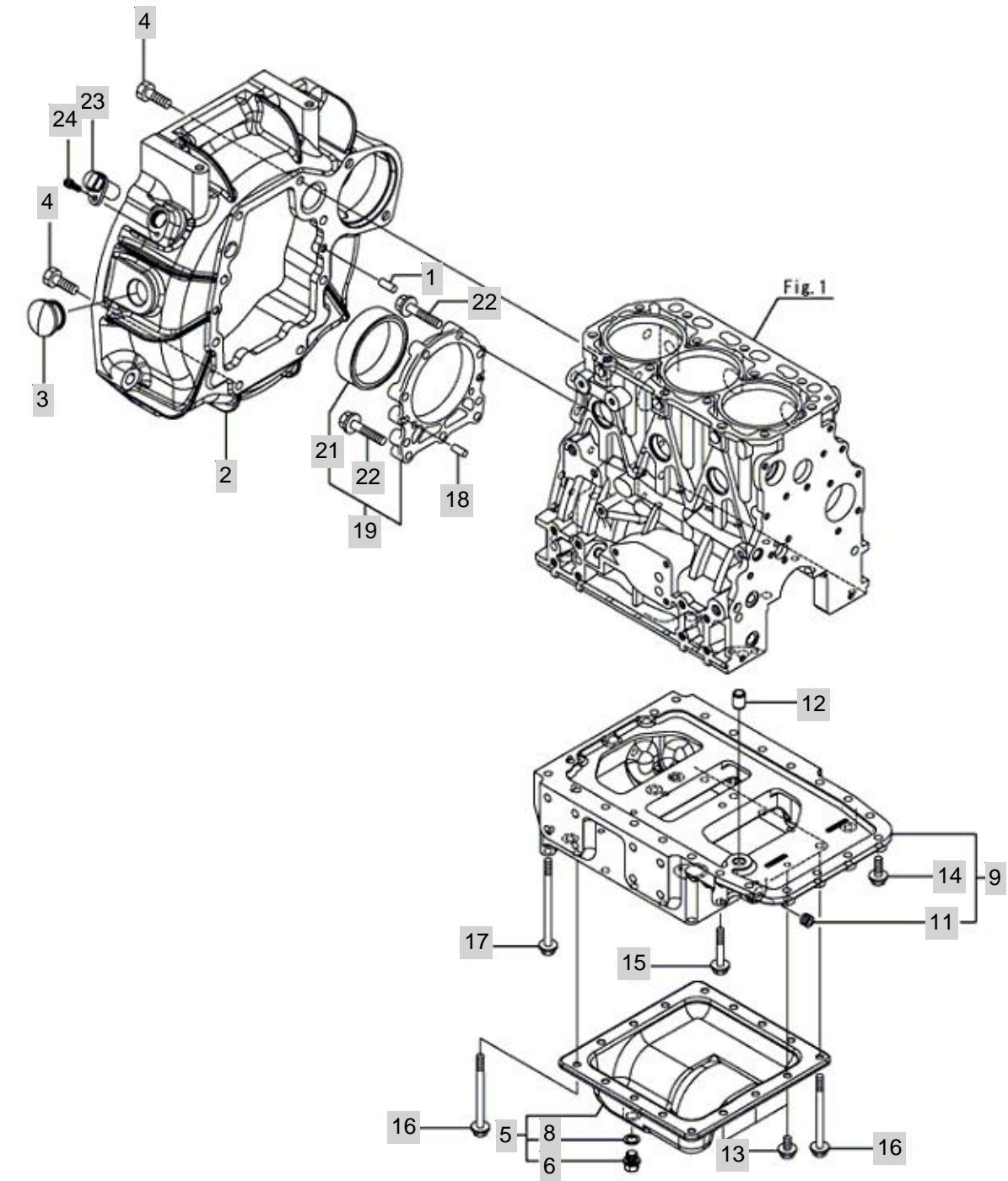


FIG 103

FLYWHEEL HOUSING & OIL SUMP

년/월  
Year/Month

2020.07



NOTE

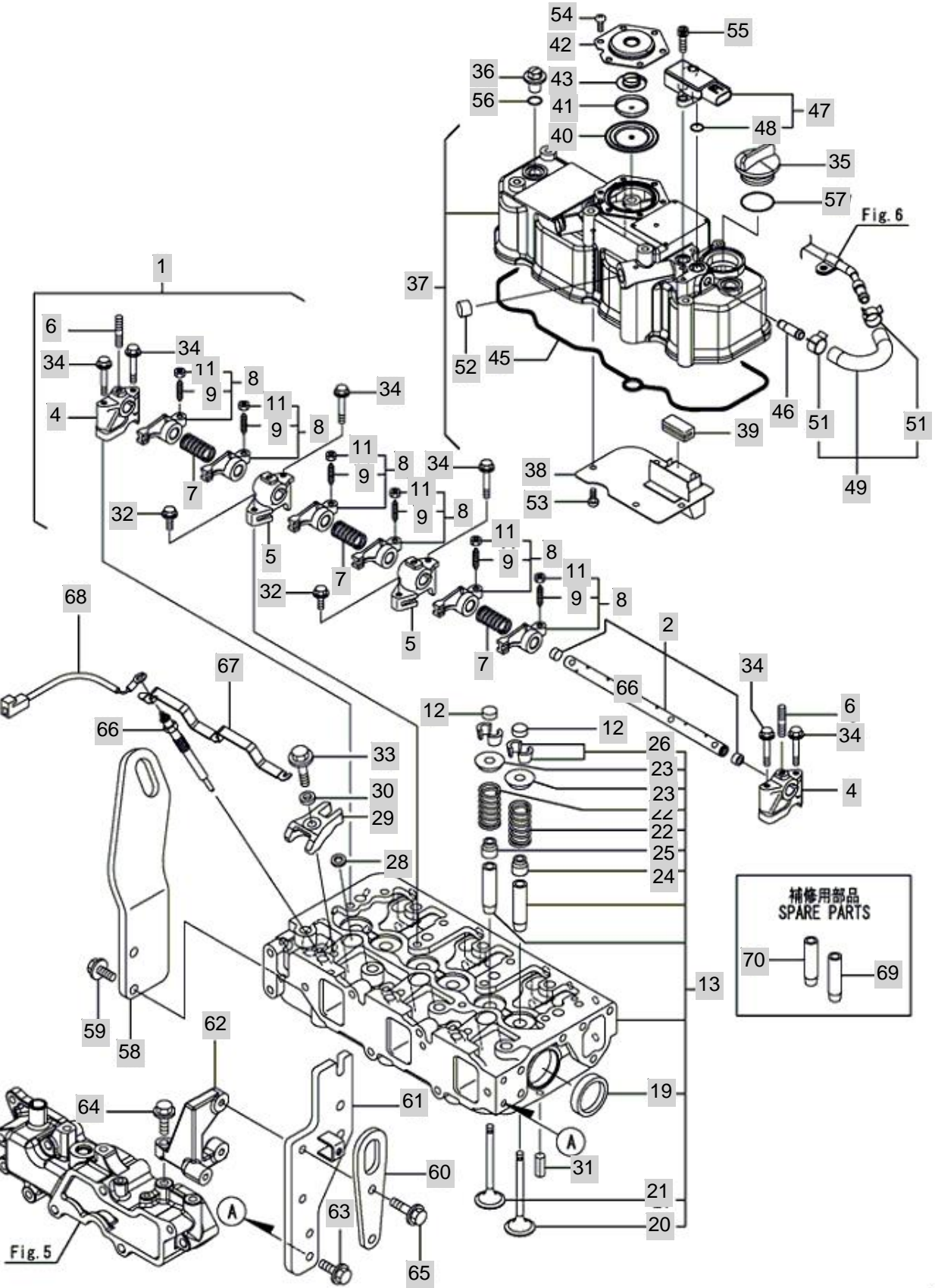


FIG 104

CYLINDER HEAD & BONNET

년/월  
Year/Month

2020.07



NOTE

FIG 104 T394NH		CYLINDER HEAD & BONNET					년/월 Year/Month	
							2020.07	
KEY NO	PART NO	DESCRIPTION	SPEC	QTY	REPAIR	EFFECTIVE DATE	REMARKS	
104	1	129004-11241	SHAFT ASSY, ROCKER		1			
104	2	129004-11251	SHAFT, ROCKER ARM		1			
104	4	119802-11260	SUPPORT, ROCKER ARM		2			
104	5	119802-11270	SUPPORT, ROCKER ARM		2			
104	6	119802-11280	BOLT, STUD		3			
104	7	129150-11280	SPRING, ROCKER		3			
104	8	129004-11650	ARM ASSY, ROCKER		6			
104	9	129150-11230	SCREW, VALVE ADJUST		6			
104	11	129150-11750	NUT, M8		6			
104	12	129150-11370	CAP, VALVE		6			
104	13	129A00-11710	HEAD ASSY, CYLINDER		1			
104	19	27241-400000	PLUG, 40		2			
104	20	129005-11100	VALVE, SUCTION		3			
104	21	129100-11112	VALVE, EXHAUST		3			
104	22	129795-11120	SPRING, VALVE		6			
104	23	129795-11180	RETAINER, SPRING		6			
104	24	124460-11340	SEAL, VALVE STEM		3			
104	25	129A00-11340	SEAL, VALVE STEM		3			
104	26	27310-080001	COTTER, 8		6			
104	28	129978-11871	GASKET,INJECTOR		3			
104	29	129A00-11900	RETAINER, INJECTOR		3			
104	30	120270-54410	WASHER, INJECTOR		3			
104	31	22351-060012	PIN, SPRING 6.0X12		2			
104	32	26106-080252	BOLT, M8X 25 PLATED		2			
104	33	26106-080352	BOLT, M8X 35 PLATED		3			
104	34	26106-080502	BOLT, M8X 50 PLATED		6			
104	35	124160-01751	CAP, FILLER		1			
104	36	124160-11360	KNOB		3			
104	37	129A00-11360	BONNET ASSY		1			
104	38	129004-03010	PLATE, BAFFLE		1			
104	39	129150-03070	BAFFLE, BREATHER		1			
104	40	123907-03100	DIAPHRAGM		1			
104	41	123907-03110	PLATE		1			
104	42	123907-03120	PLATE, BREATHER		1			
104	43	123907-03140	SPRING, DIAPHRAGM		1			
104	45	129A00-11310	GASKET, BONNET		1			
104	46	129A00-11330	JOINT		1			
104	47	129978-12700	SENSOR,PRESSURE		1			
104	48	129A00-12780	O-RING,PRES SENSOR		2			
104	49	129A00-13360	HOSE ASSY, PRES EXH		1			
104	51	129A00-13380	CLIP, HOSE 14		2			
104	52	119640-61400	PLUG		1			
104	53	22857-500100	SCREW, 5X10		4			
104	54	22857-500100	SCREW, 5X10		6			
104	55	26450-060162	BOLT, M6X 16		2			
NOTE								



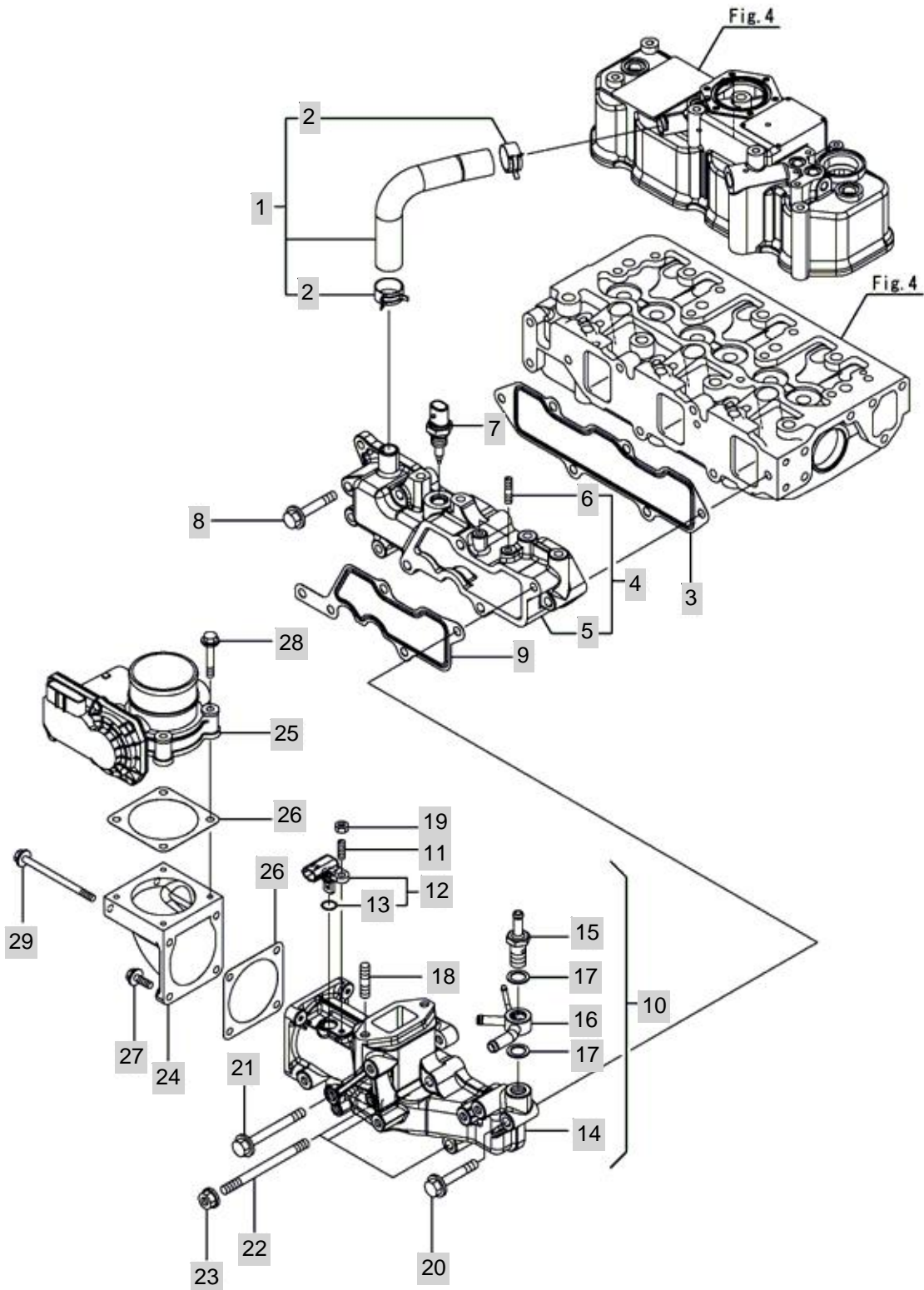
FIG 105

SUCTION MANIFOLD

년/월  
Year/Month

2020.07

T394NH



NOTE



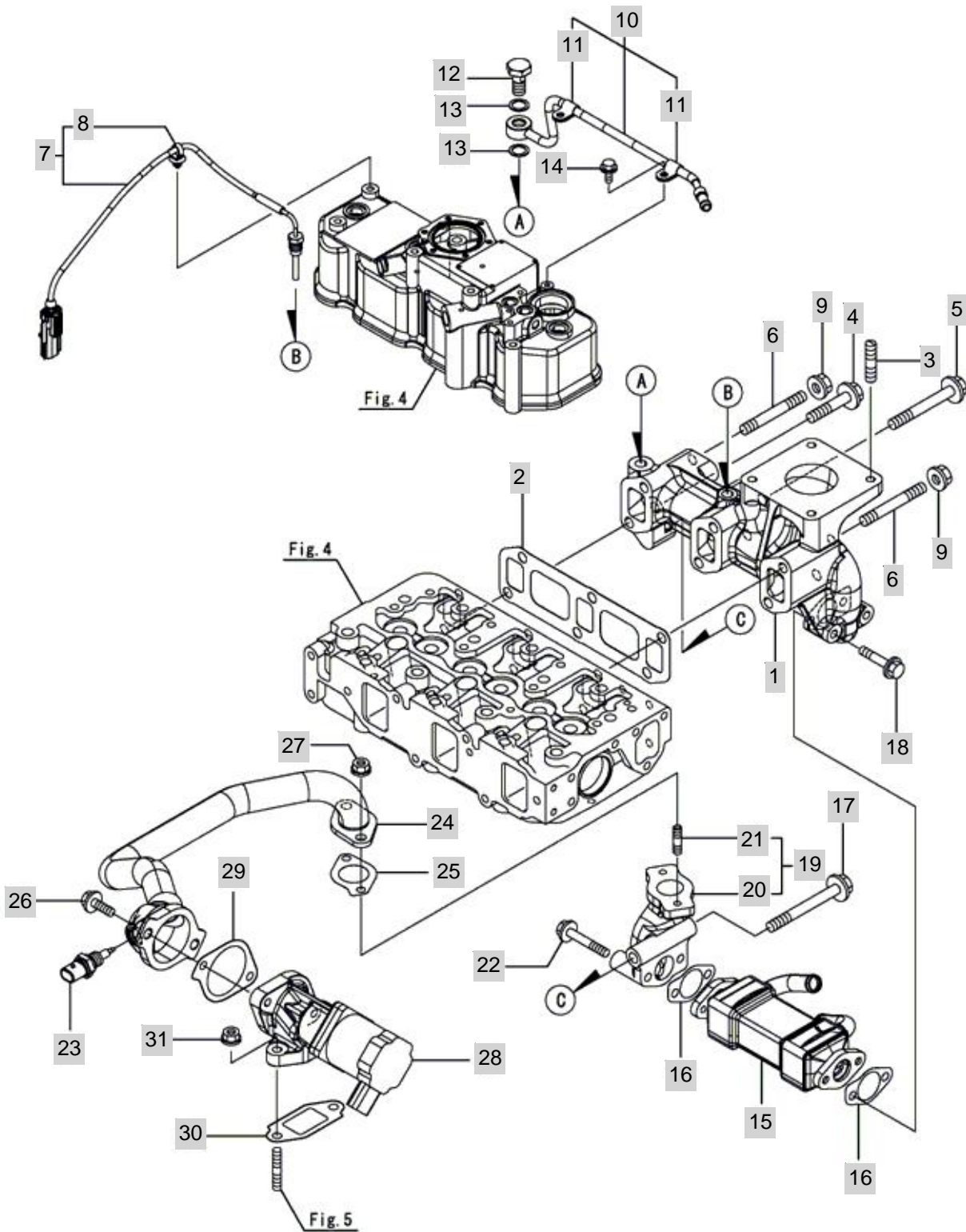


FIG 106

EXHAUST MANIFOLD

년/월  
Year/Month

2020.07



NOTE



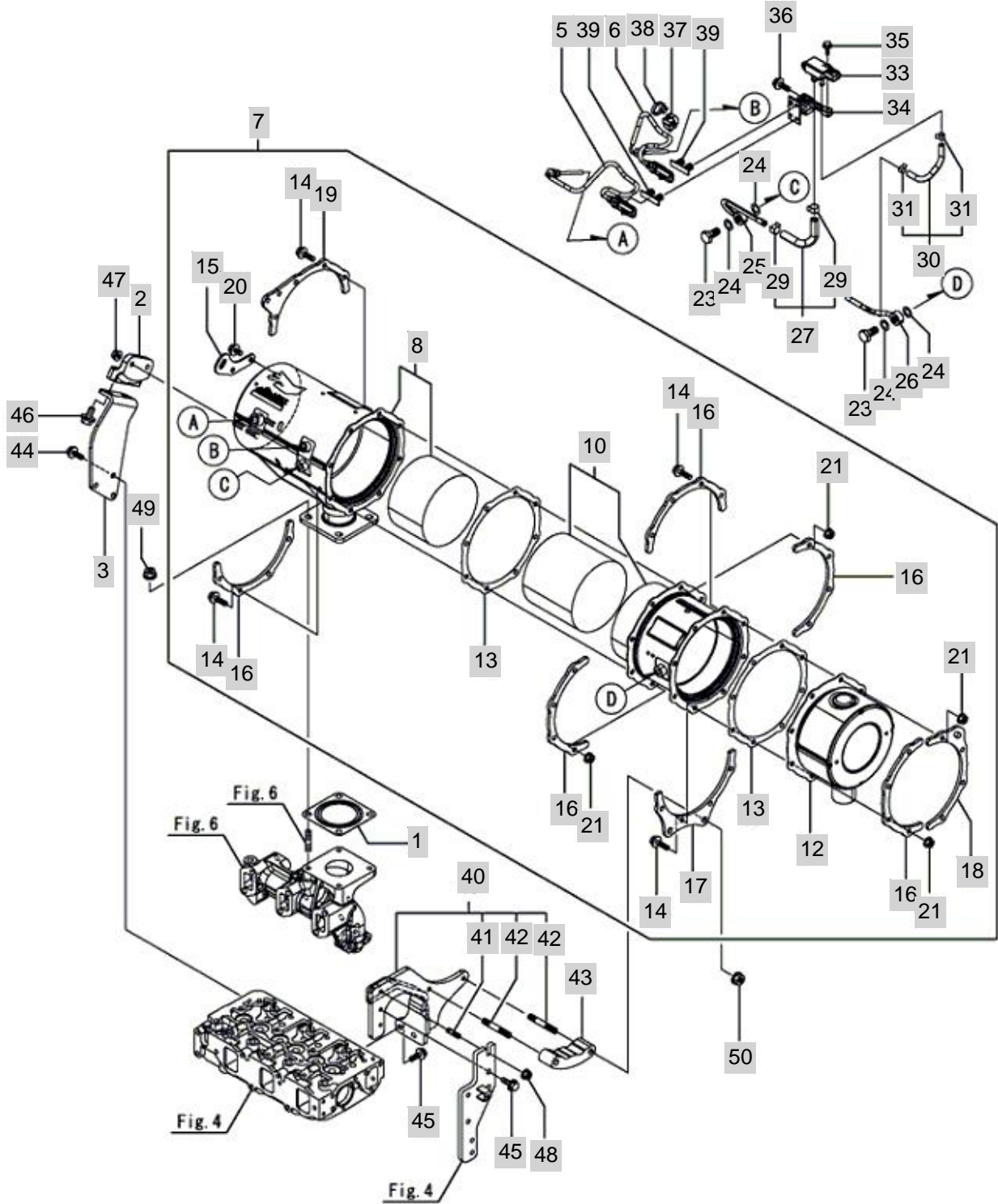
FIG 107

DIESEL PARTICULATE FILTER(DPF)

년/월  
Year/Month

2020.07

T394NH



NOTE

FIG 107		DIESEL PARTICULATE FILTER(DPF)					년/월 Year/Month		
							2020.07		
T394NH		KEY NO	PART NO	DESCRIPTION	SPEC	QTY	REPAIR	EFFECTIVE DATE	REMARKS
107	1	128300-13230	GASKET, SILENCER			1			
107	2	129A00-16820	STAY,DPF			1			
107	3	129A00-16830	STAY,DPF			1			
107	5	129C00-13940	SENSOR, EXH.TEMP			1			
107	6	129C00-13950	SENSOR, EXH.TEMP			1			
107	7	129A26-16000	DPF ASSY			1			
107	8	129A00-16210	CASE, DOC			1			
107	10	129A00-16410	CASE, SOOT FILTER			1			
107	12	129A00-16500	SILENCER, DPF			1			
107	13	129A00-16600	GASKET, DPF			2			
107	14	129A00-16610	BOLT, M8X28 10.9T			16			
107	15	129C01-16690	LIFTER, DPF			1			
107	16	129A00-16700	STIFFENER, DPF A			5			
107	17	129A00-16720	STIFFENER, DPF B			1			
107	18	129A00-16740	STIFFENER, DPF C			1			
107	19	129A00-16750	STIFFENER, DPF C			1			
107	20	26106-080142	BOLT, M8X 14 PLATED			2			
107	21	26306-080002	NUT, M8			16			
107	23	129A00-13350	BOLT, PIPE JOINT			2			
107	24	129A00-17311	GASKET,SENSOR			4			
107	25	129A00-17330	PIPE ASSY, SENSOR			1			
107	26	129A00-17360	PIPE ASSY, SENSOR			1			
107	27	129A00-17610	HOSE ASSY,PRES EXH			1			
107	29	129A00-17520	CLIP, HOSE			2			
107	30	129A00-17670	HOSE ASSY,PRES EXH			1			
107	31	129A00-17570	CLIP, HOSE			2			
107	33	129978-17700	SENSOR,PRESSURE			1			
107	34	129A00-17780	BRACKET, SENSOR			1			
107	35	26106-060162	BOLT, M6X 16 PLATED			2			
107	36	26106-080202	BOLT M 8X20 PLATED	8X20		2	A		
107	37	129A00-91200	BAND CLIP			1			
107	38	129C00-91200	BAND			1			
107	39	129A00-91430	CLIP, CONNECTOR			2			
107	40	129A26-17360	STAY ASSY, DPF			1			
107	41	26216-080202	STUD, M8X 20			1			
107	42	26216-100552	STUD, M10X 55			2			
107	43	129A23-17370	SPACER, DPF			1			
107	44	26106-080162	BOLT, M8X 16 PLATED			3			
107	45	26106-080202	BOLT M 8X20 PLATED	8X20		4	A		
107	46	26106-100202	BOLT, M10X 20 PLATED			2			
107	47	26306-080002	NUT, M8			2			
107	48	26306-080002	NUT, M8			1			
107	49	26306-100002	NUT, M10			4			
107	50	26306-100002	NUT, M10			2			
NOTE									

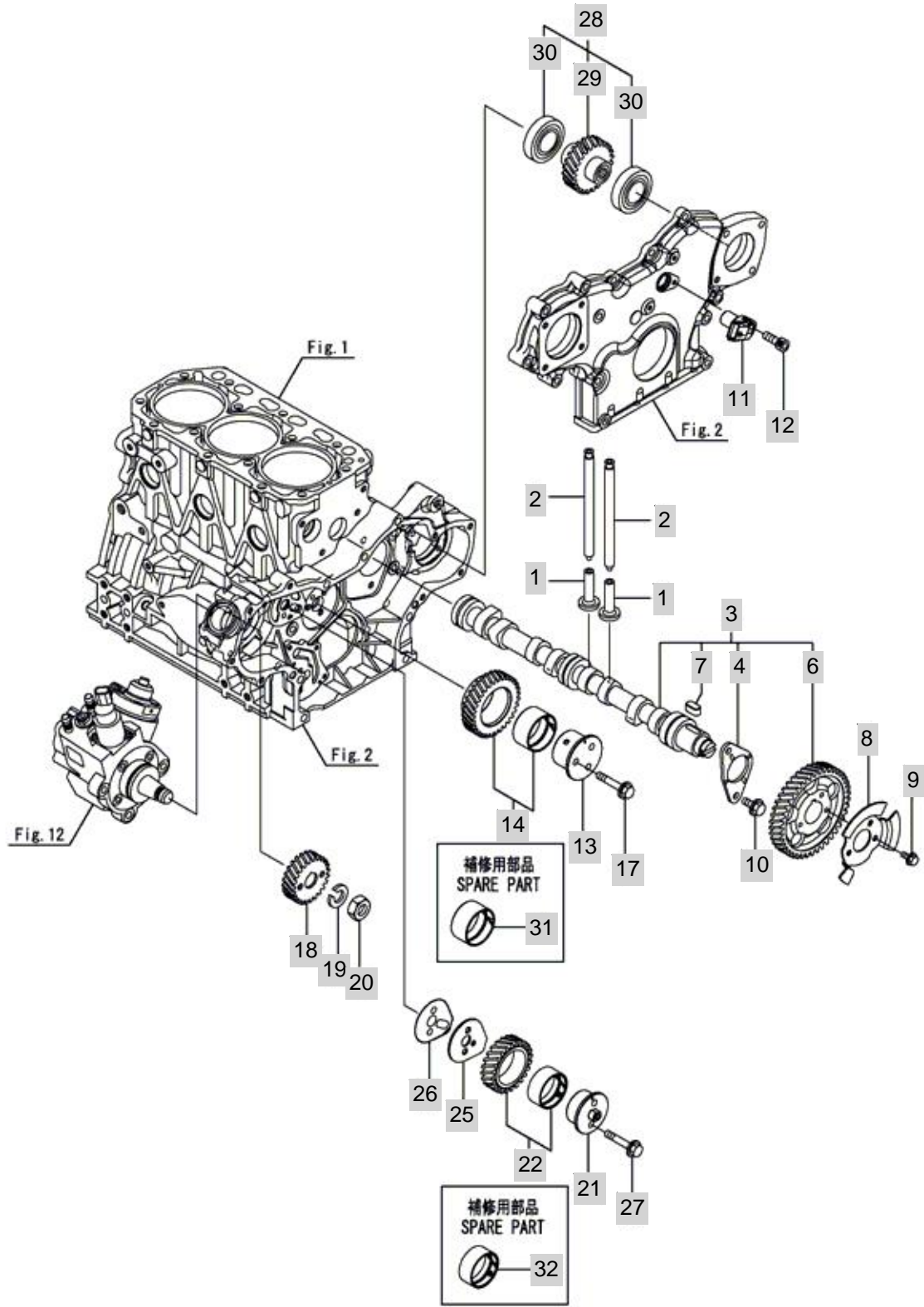
FIG 108

CAMSHAFT & DRIVING GEAR

년/월  
Year/Month

2020.07

T394NH



NOTE



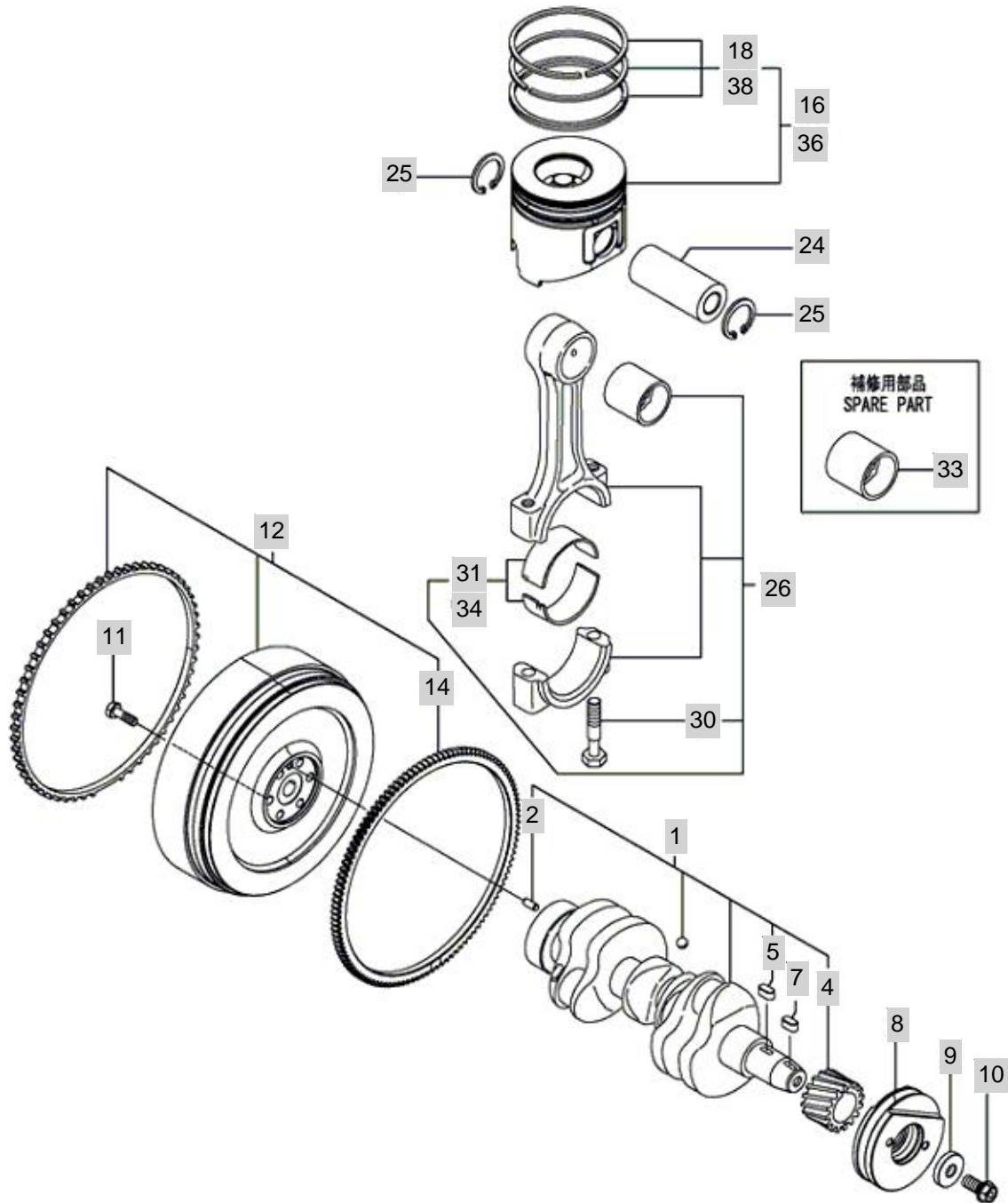
FIG 109

T394NH

CRANKSHAFT & PISTON

년/월  
Year/Month

2020.07



NOTE





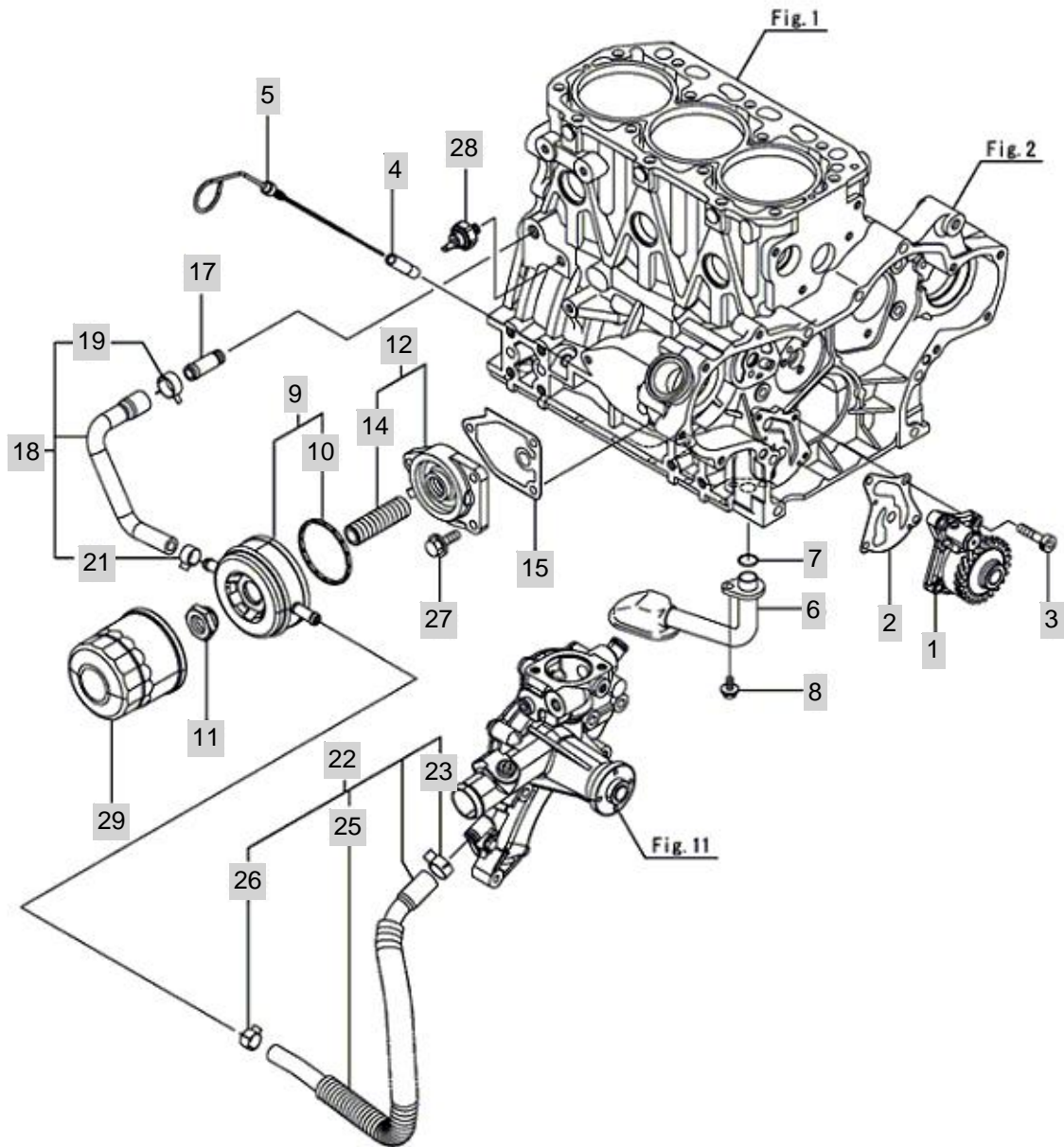
FIG 110

LUB.OIL SYSTEM

년/월  
Year/Month

2020.07

T394NH



NOTE



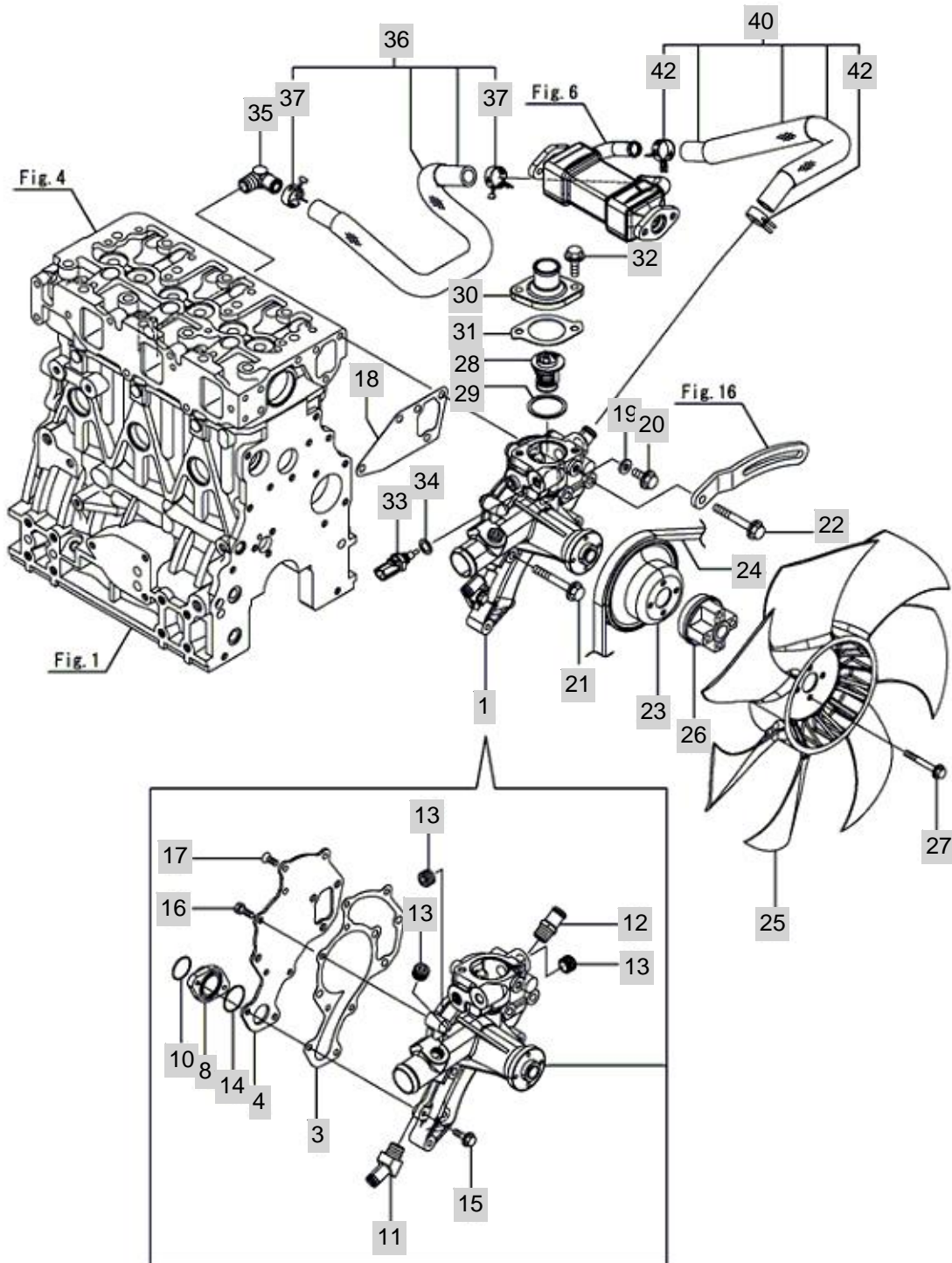
FIG 111

COOLING WATER SYSTEM

년/월  
Year/Month

2020.07

T394NH



NOTE



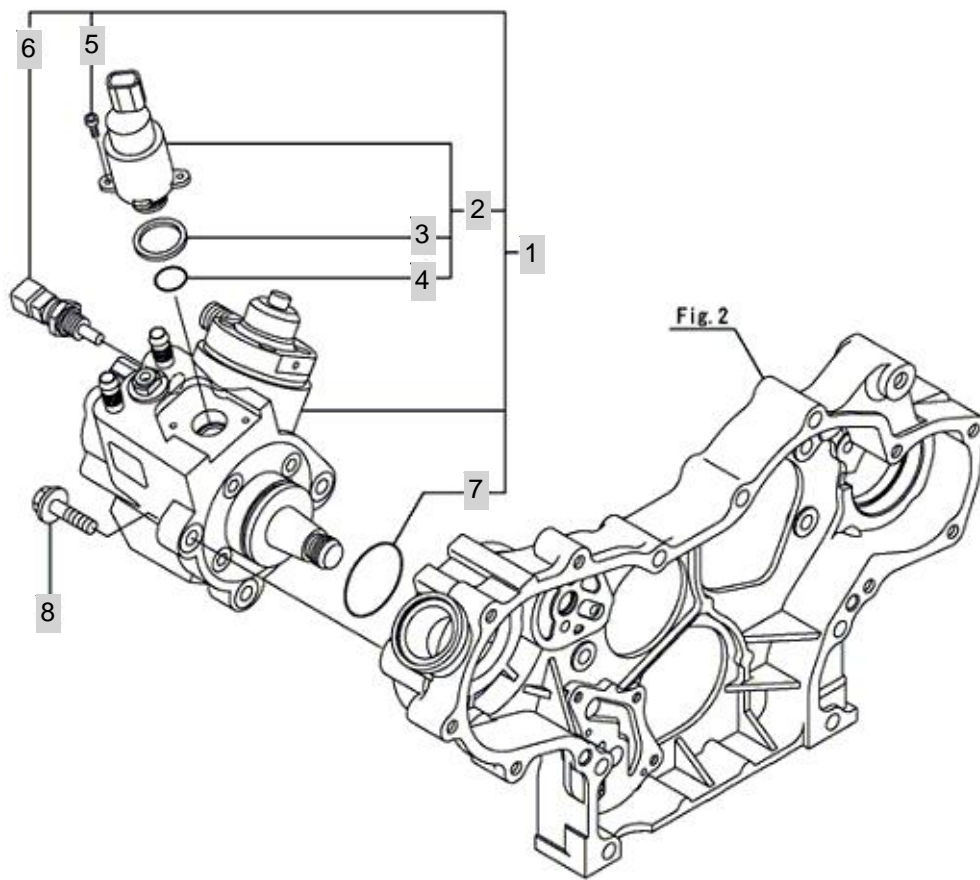
FIG 112

T394NH

FUEL SUPPLY PUMP

년/월  
Year/Month

2020.07



NOTE



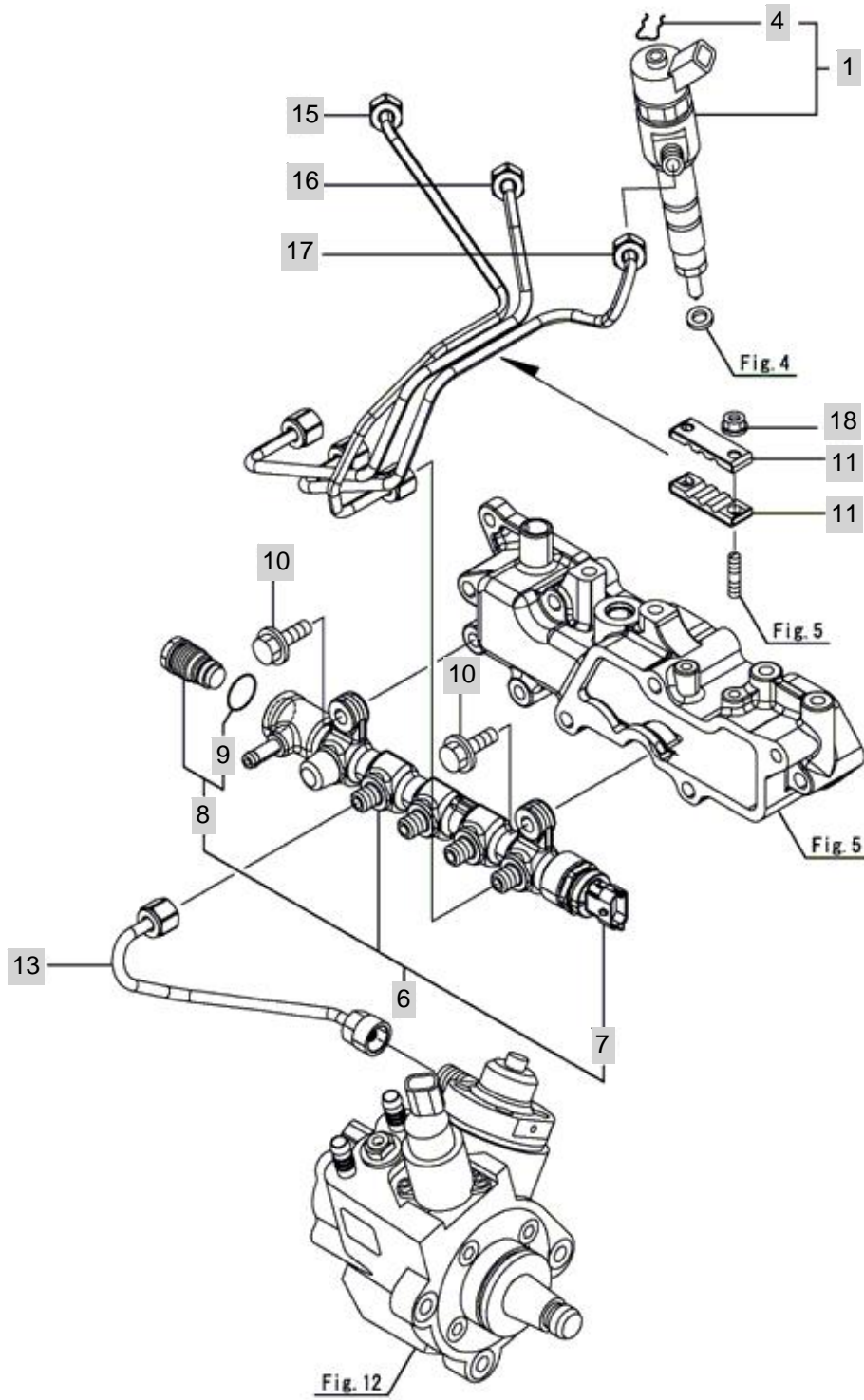
FIG 113

T394NH

FUEL INJECTION VALVE

년/월  
Year/Month

2020.07



NOTE





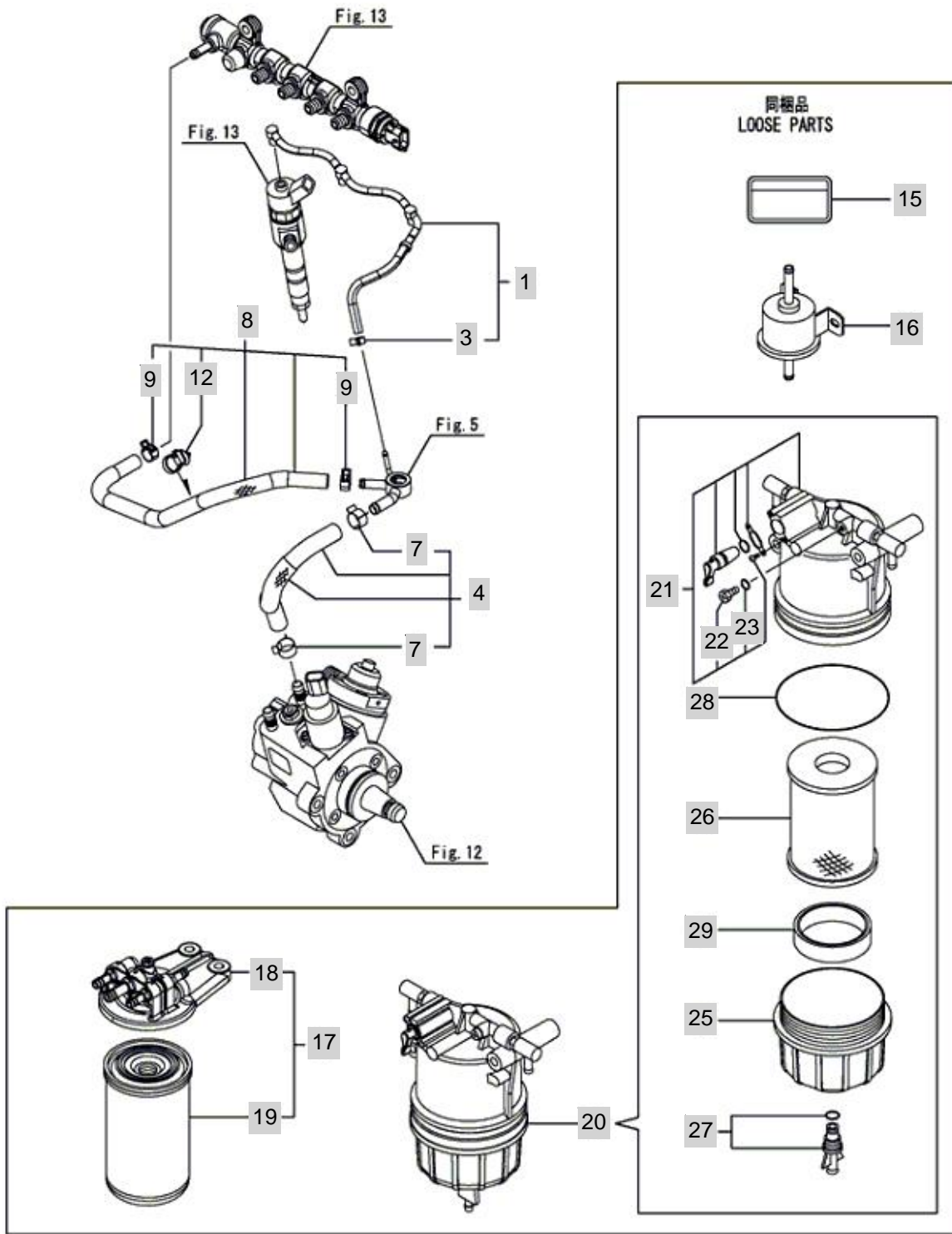
FIG 114

T394NH

FUEL PIPE

년/월  
Year/Month

2020.07



NOTE



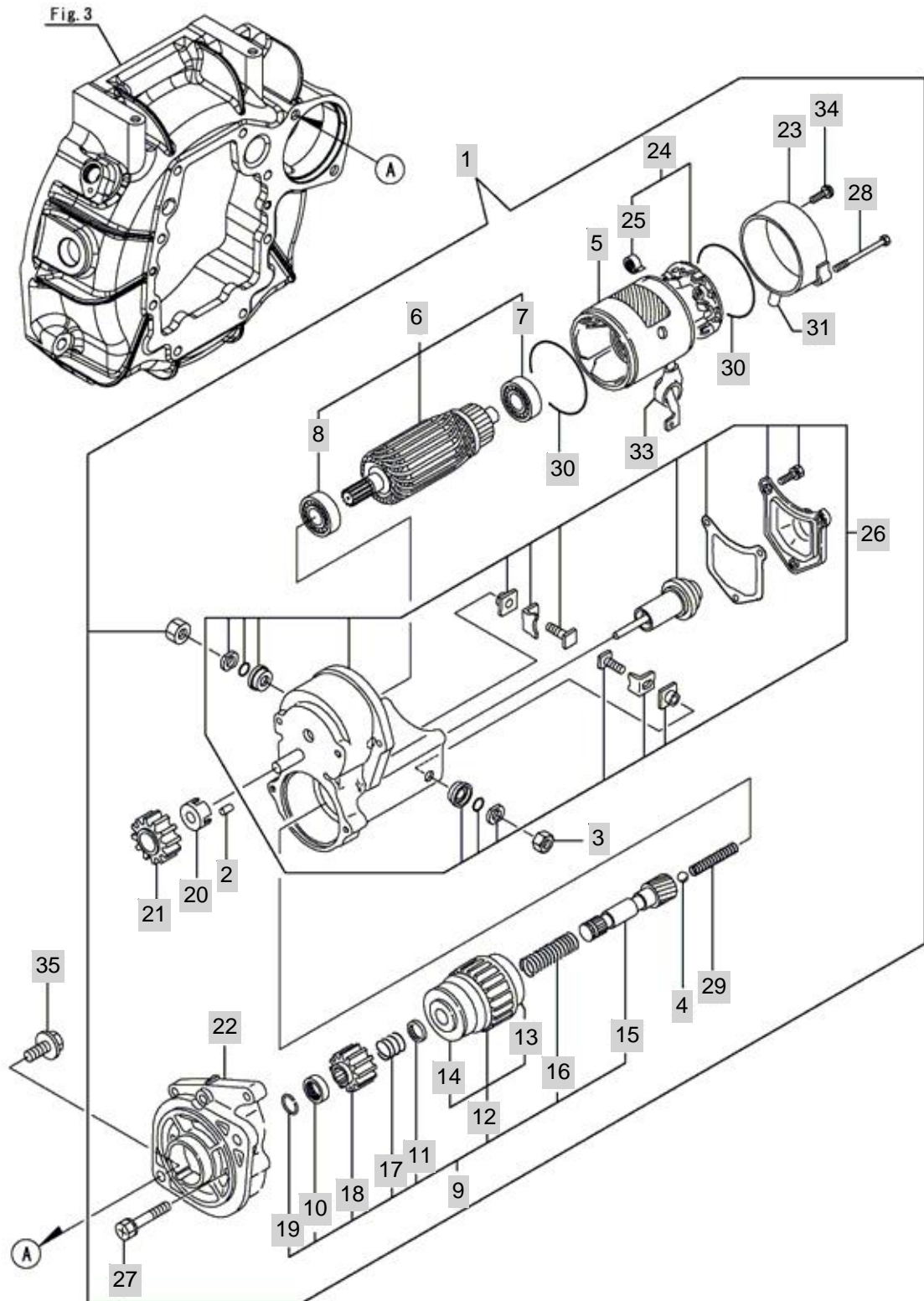
FIG 115

STARTER MOTOR

년/월  
Year/Month

2020.07

T394NH



NOTE



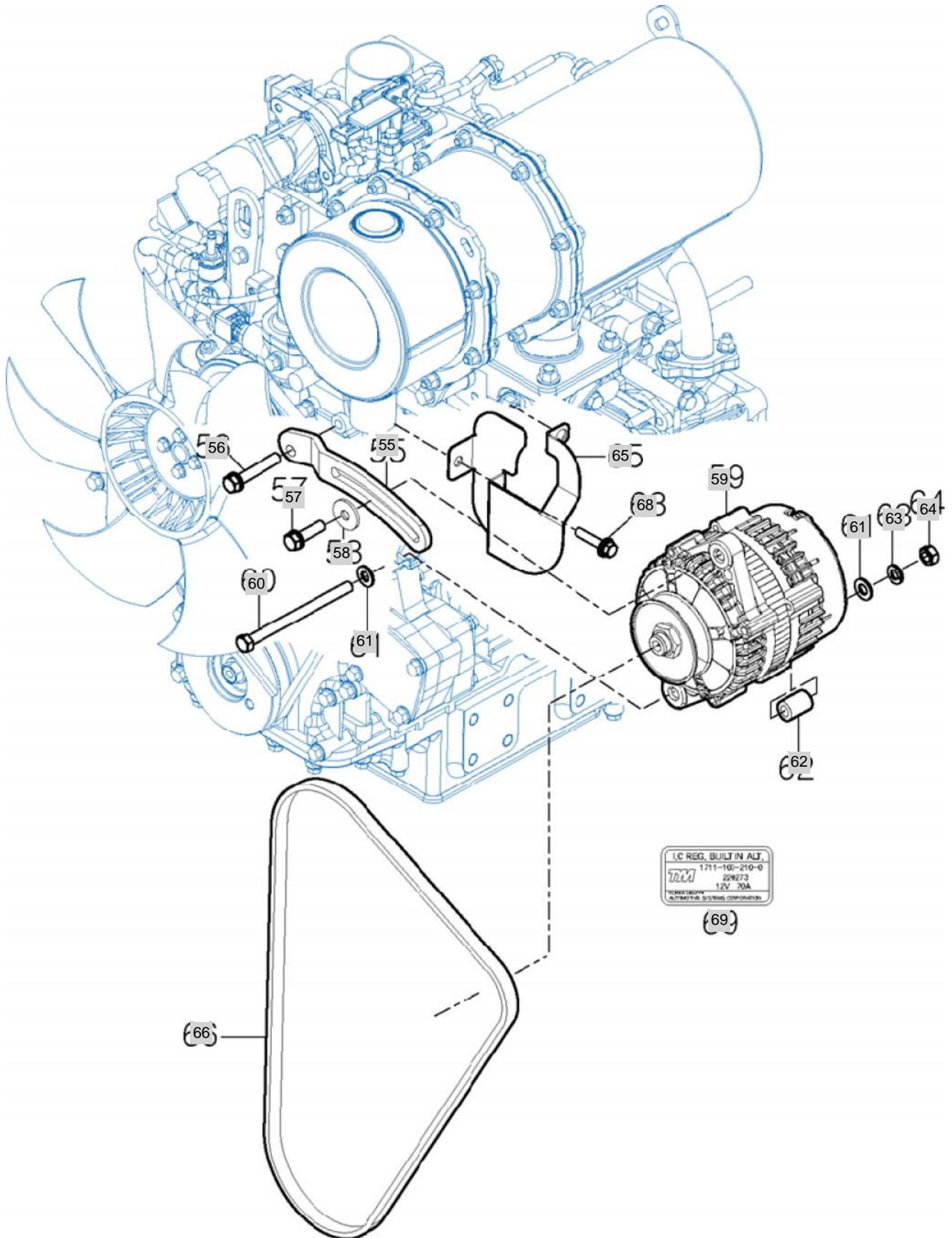
FIG 116

ALTERNATOR

년/월  
Year/Month

2020.07

T394NH



NOTE



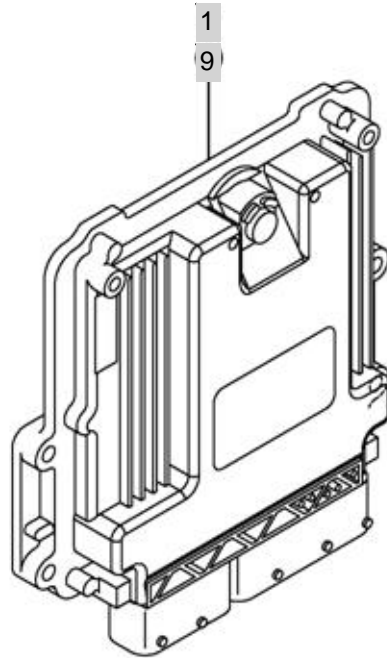
FIG 117

T394NH

ELECTRONIC CONTROL UNIT(ECU)

년/월  
Year/Month

2020.07



NOTE



FIG 117 T394NH		ELECTRONIC CONTROL UNIT(ECU)					년/월 Year/Month	
							2020.07	
KEY NO	PART NO	DESCRIPTION	SPEC	QTY	REPAIR	EFFECTIVE DATE	REMARKS	
117	1	129A26-75040	ECU ASSY,3-88CDKTF		1			
117	9	129A00-75910	ECU ASSY,SERVICE YMR		1			
NOTE								

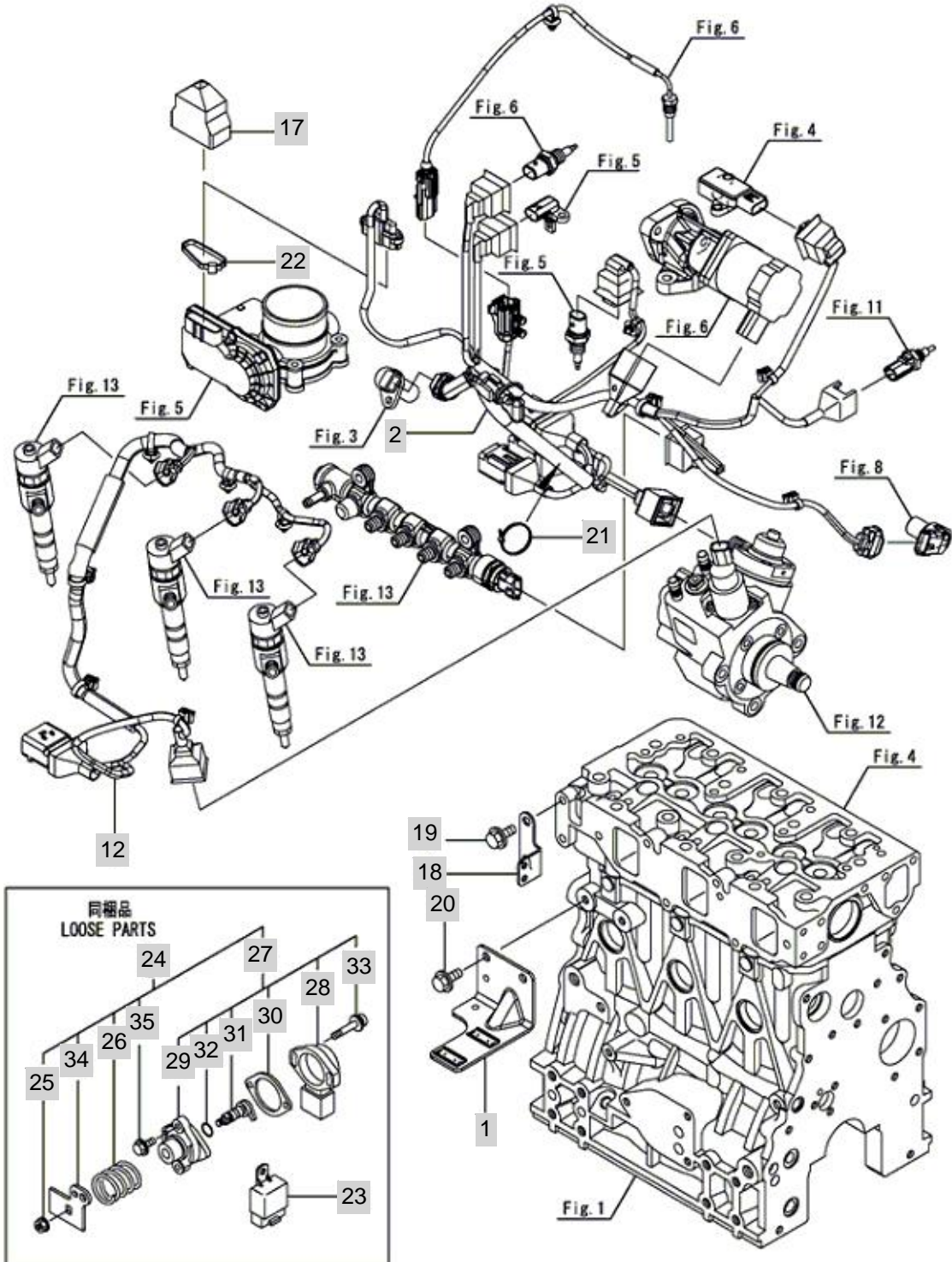
FIG 118

ELECTRIC PARTS

년/월  
Year/Month

2020.07

T394NH



NOTE



## Z. ENGINE ACCESSORIES & CONTROL PART NO.

### T394NH-C2

FIG 201 AIR CLEANER	45
FIG 202 RADIATOR	47
FIG 203 MUFFLER	49
FIG 204 FUEL TANK & HOSE	51
FIG 205 OIL COOLER	53

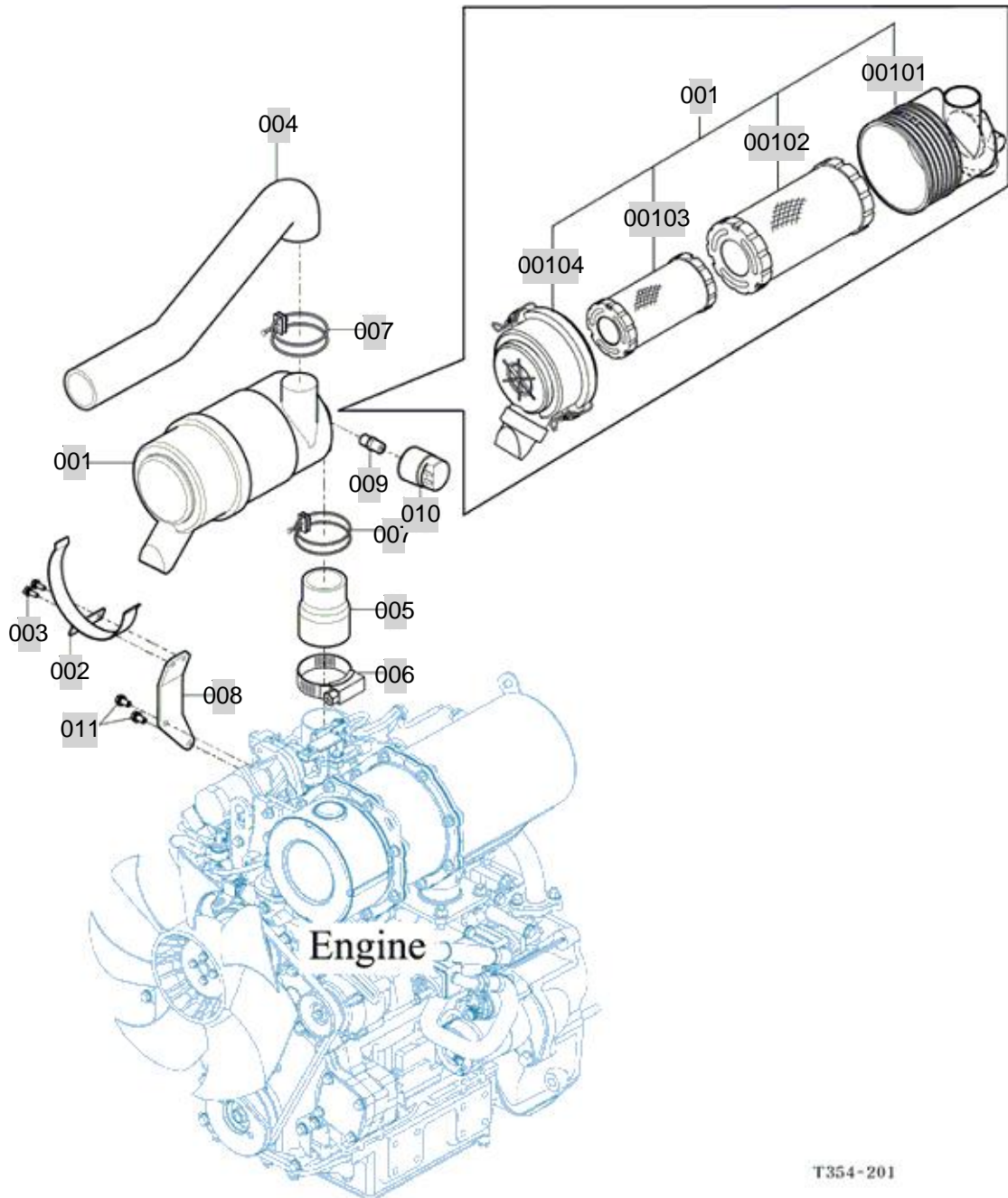
FIG 201

AIR CLEANER

년/월  
Year/Month

2020.07

T394NH



NOTE



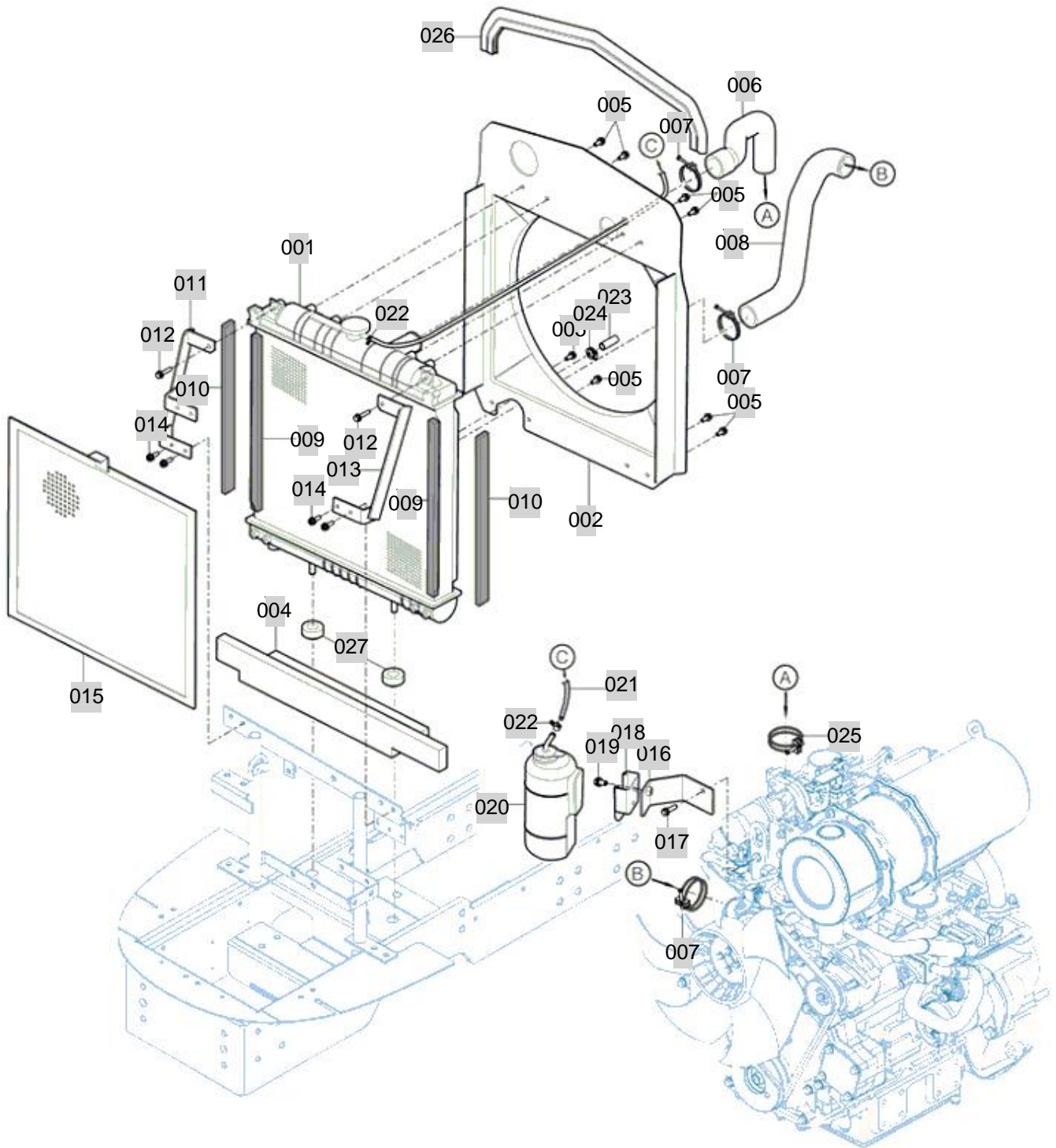
FIG 202

T394NH

RADIATOR

년/월  
Year/Month

2020.07



NOTE





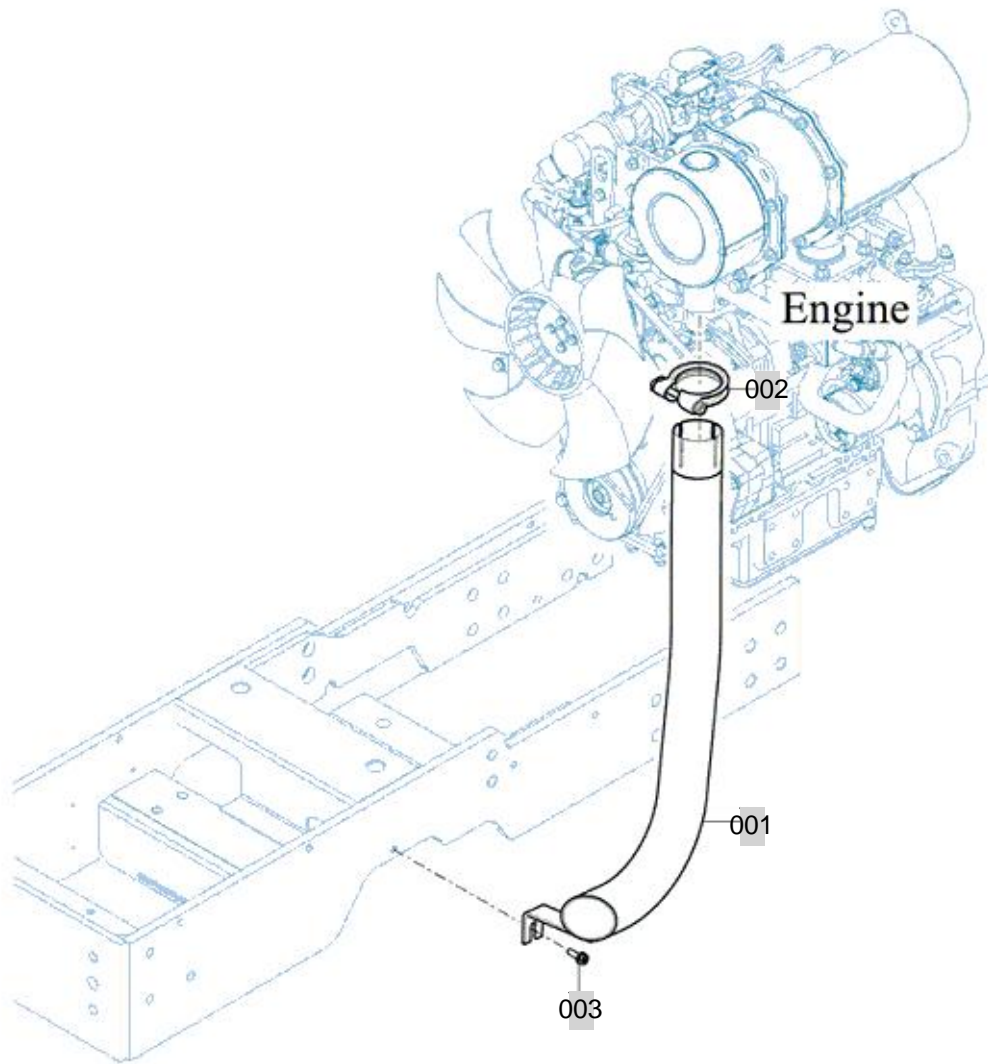
FIG 203

MUFFLER

년/월  
Year/Month

2020.07

T394NH



NOTE



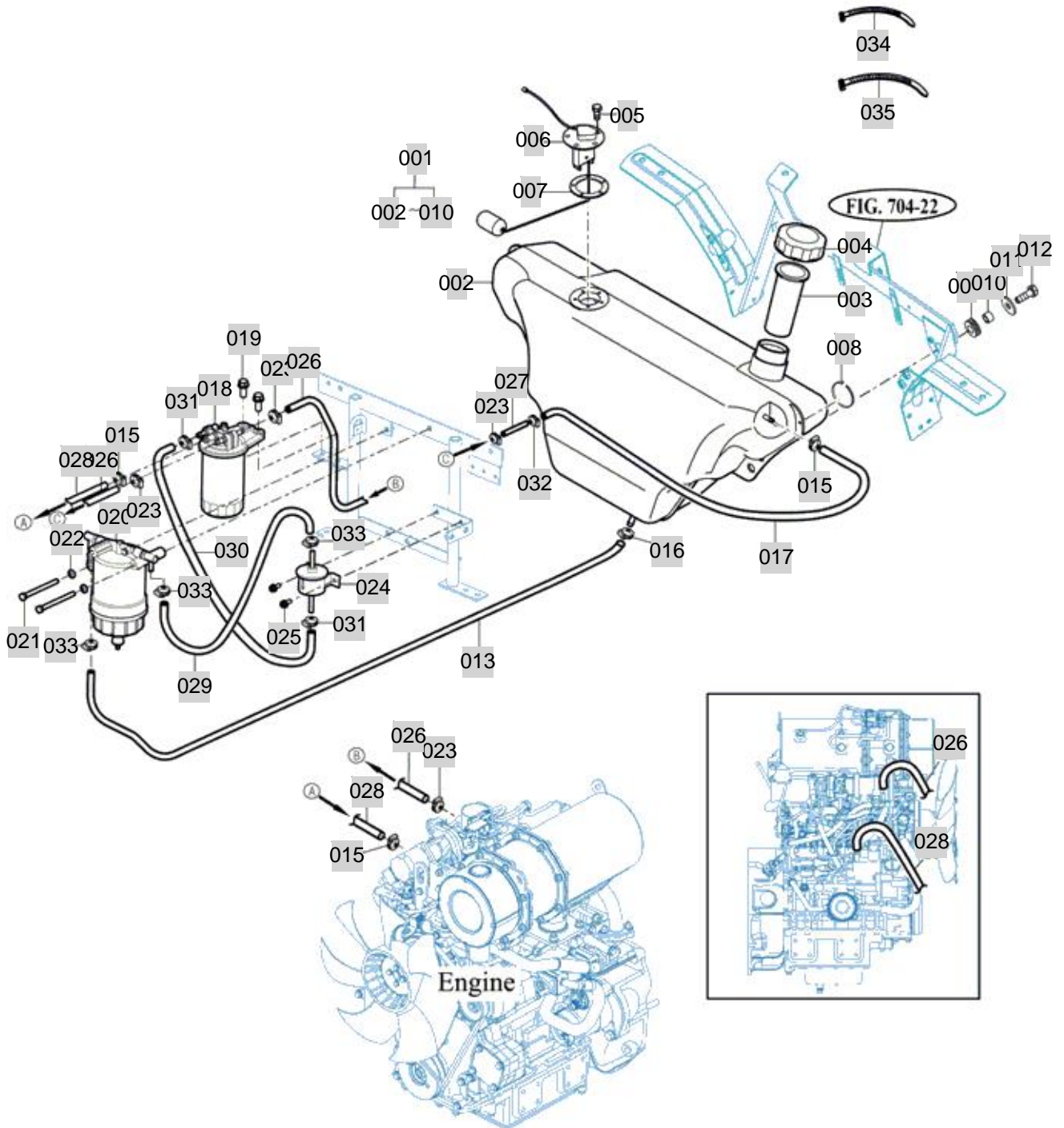
FIG 204

T394NH

FUEL TANK & HOSE

년/월  
Year/Month

2020.07



NOTE



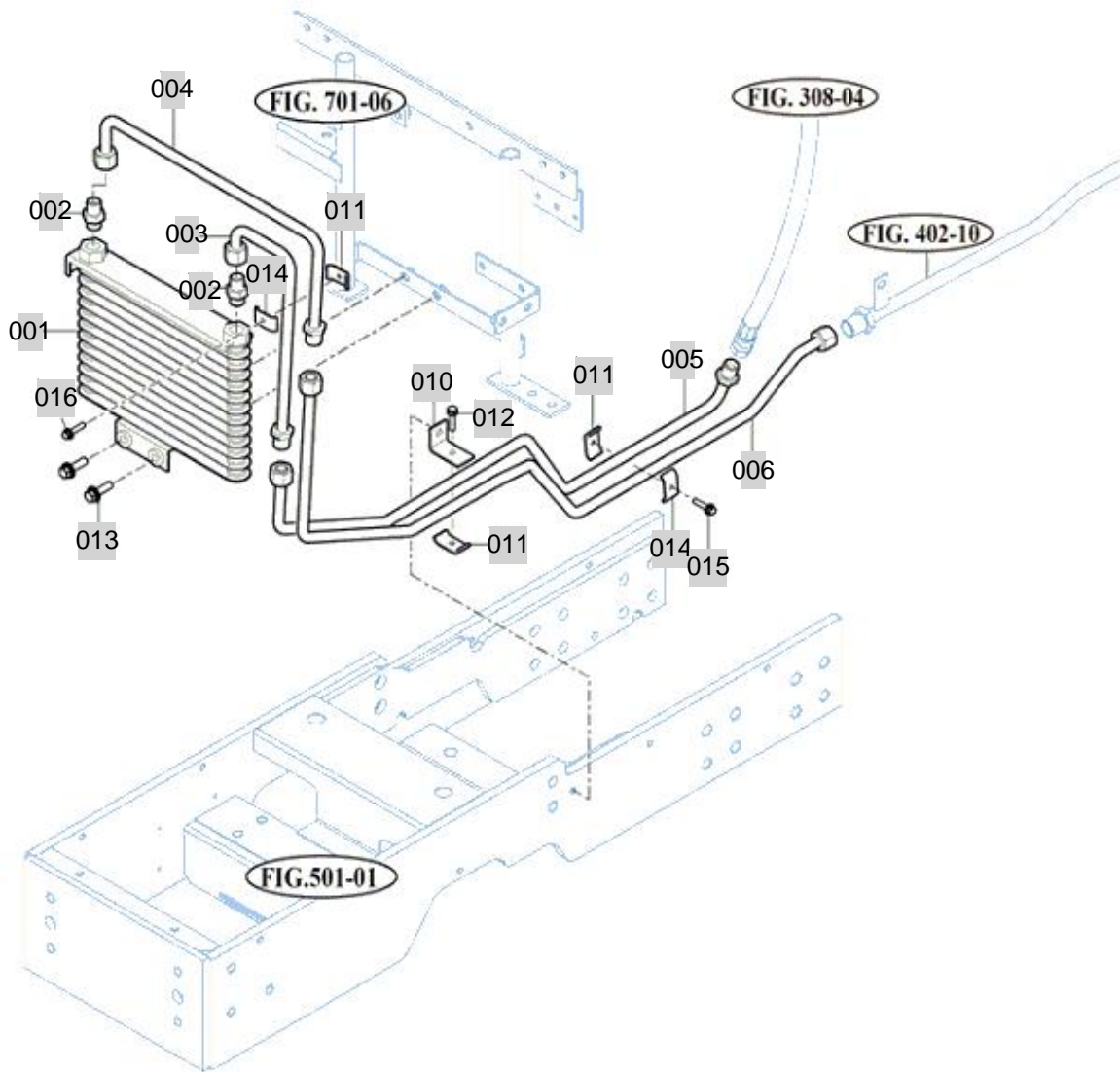
FIG 205

T394NH

OIL COOLER

년/월  
Year/Month

2020.07



NOTE



### 3. CLUTCH,BRAKE,STEERING PART NO. T394NH-C3

FIG 301 FLYWHEEL & CLUTCH	56
FIG 302 BRAKE PEDAL	58
FIG 303 BRAKE	60
FIG 304 FRONT WHEEL MOUNTING	62
FIG 305 REAR WHEEL MOUNTING	64
FIG 306 STEERING WHEEL & DASH COVER	66
FIG 307 STEERING VALVE & TILT	68
FIG 308 STEERING CYLINDER	70

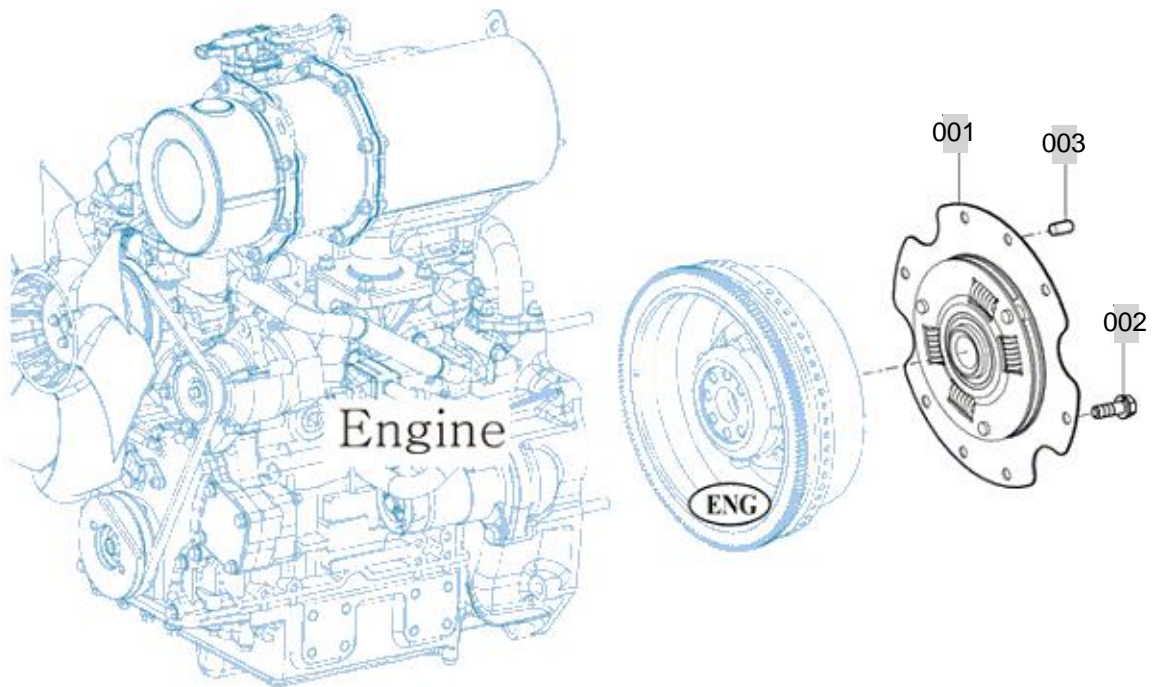
FIG 301

T394NH

FLYWHEEL & CLUTCH

년/월  
Year/Month

2020.07



T394NH-E-301

NOTE





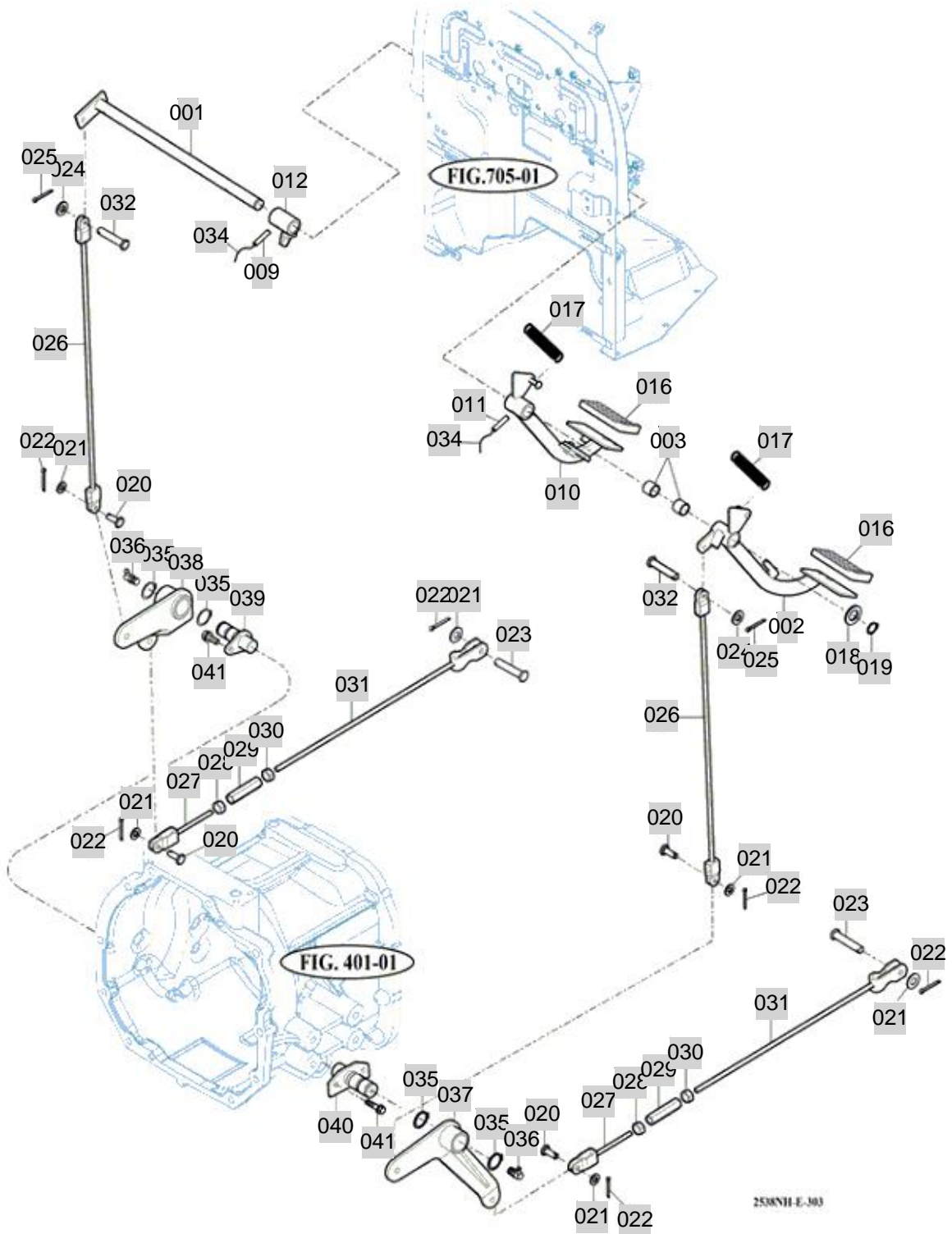
FIG 302

BRAKE PEDAL

년/월  
Year/Month

T394NH

2020.07



NOTE

FIG 302 T394NH		BRAKE PEDAL						년/월 Year/Month	
								2020.07	
KEY NO	PART NO	DESCRIPTION	SPEC	QTY	REPAIR	EFFECTIVE DATE	REMARKS		
302	001	12353292100GB	ARM COMP , BRAKE						
302	002	12383292202GB	PEDAL COMP , LH BRAKE						
302	003	35017030080	BUSH , DU20X23X20			20110321			
302	009	V5801405036	PIN , SPRING	5X36					
302	010	12383292302GB	PEDAL COMP , RH BRAKE						
302	011	V5801408036	PIN , SPRING	8X36					
302	012	12353293100GB	ARM COMP , PARKING						
302	016	15241220010	PAD	1X1X1					
302	017	14041200081	SPRING , CLUTCH RETURN	HL2000공용					
302	018	V4111600200	WASHER , PLAIN	M20					
302	019	V7041400200	C-RING , SHAFT	20					
302	020	14322420010	PIN	D=8		20110321			
302	021	V4111600080	WASHER , PLAIN	M8		20081201			
302	022	V5001920020	PIN , SPLIT	2X20		20040501			
302	023	14043120060	PIN , YOKE	D=8		20100712			
302	024	V4111600080	WASHER , PLAIN	M8		20081201			
302	025	V5001930020	PIN , SPLIT	3X20		20040101			
302	026	16703292501	ROD COMP , HOOK 504	1X1X1					
302	027	12383282201	ROD COMP , FR						
302	028	V3043600080	NUT , HEX/2	M8		20081001			
302	029	16601220020	TURNBUCKLE , M8 L60			20081001			
302	030	15601320073	NUT , HEX LH	"2총,M8"		20081201			
302	031	12383282301	ROD COMP , REAR						
302	032	14322420010	PIN	D=8		20110321			
302	033	14723282101	ROD COMP , HOOK 184	1X1X1					
302	034	V5901010150	WIRE , STEEL	1.0X150					
302	035	V7041400250	C-RING , SHAFT	25					
302	036	V7631500000	NIPPLE , GREASE/B-PT	B-PT1/8					
302	037	12623283300GB	ARM COMP , LH BRAKE						
302	038	12353283400GB	ARM COMP , RH BRAKE						
302	039	12623283100	PIN COMP						
302	040	14573283101	PIN COMP , 87						
302	041	V2173608020	BOLT , HEX/S	M8X20		20120501			
NOTE									

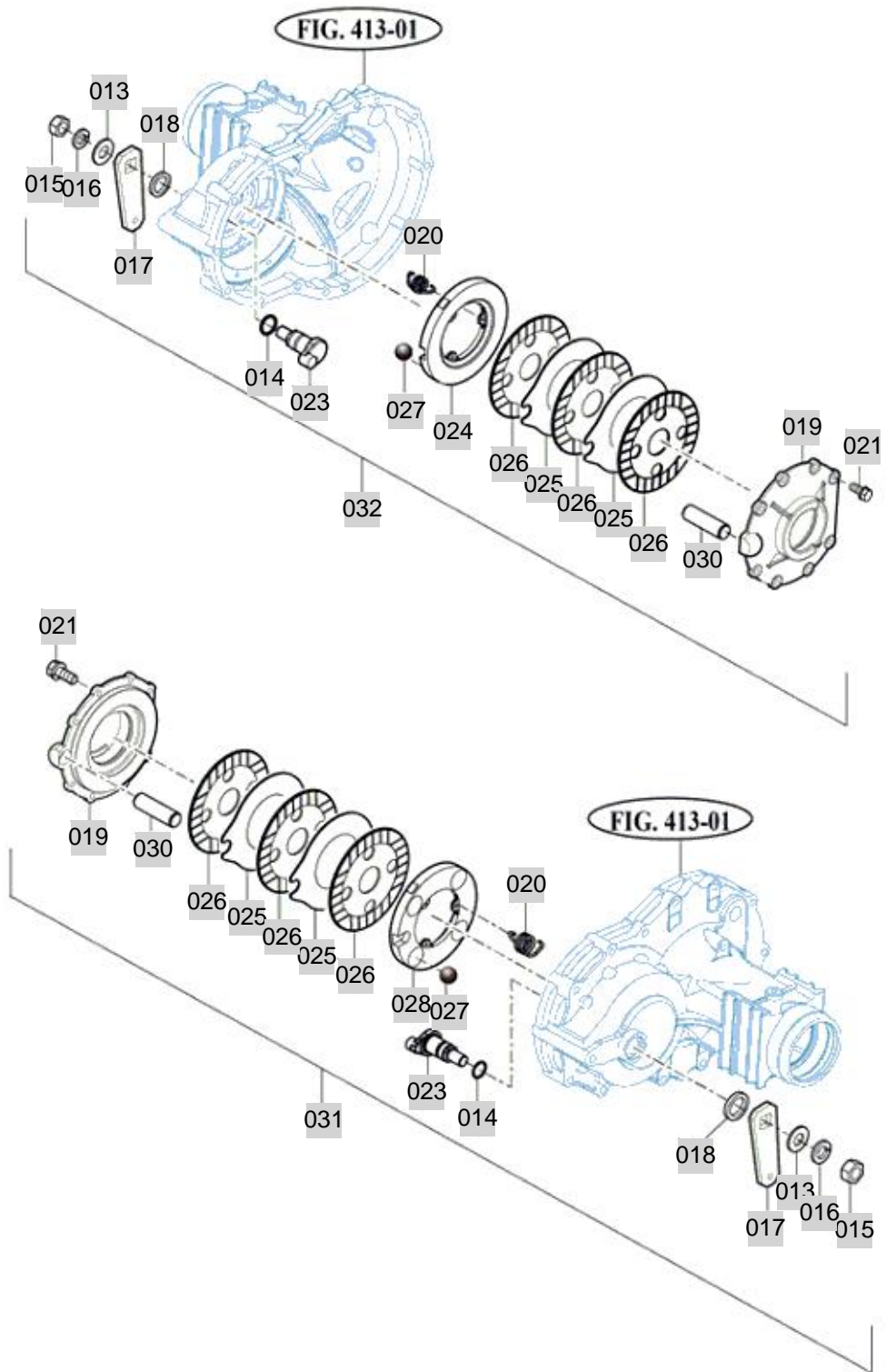
FIG 303

T394NH

BRAKE

년/월  
Year/Month

2020.07



NOTE



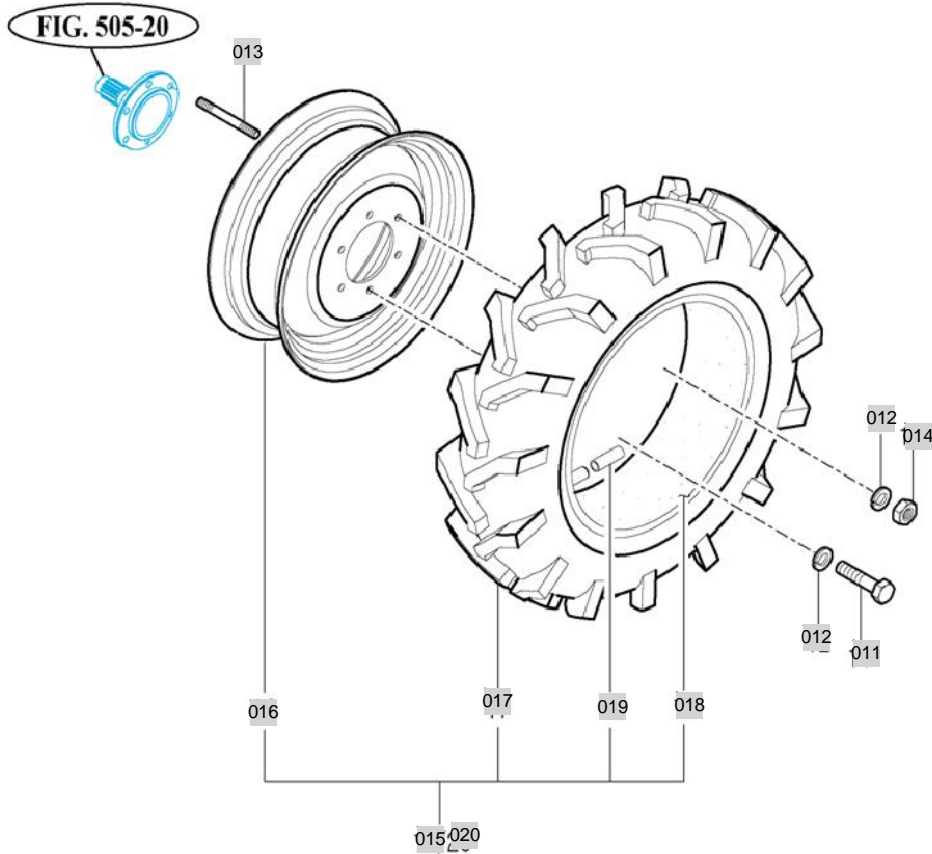
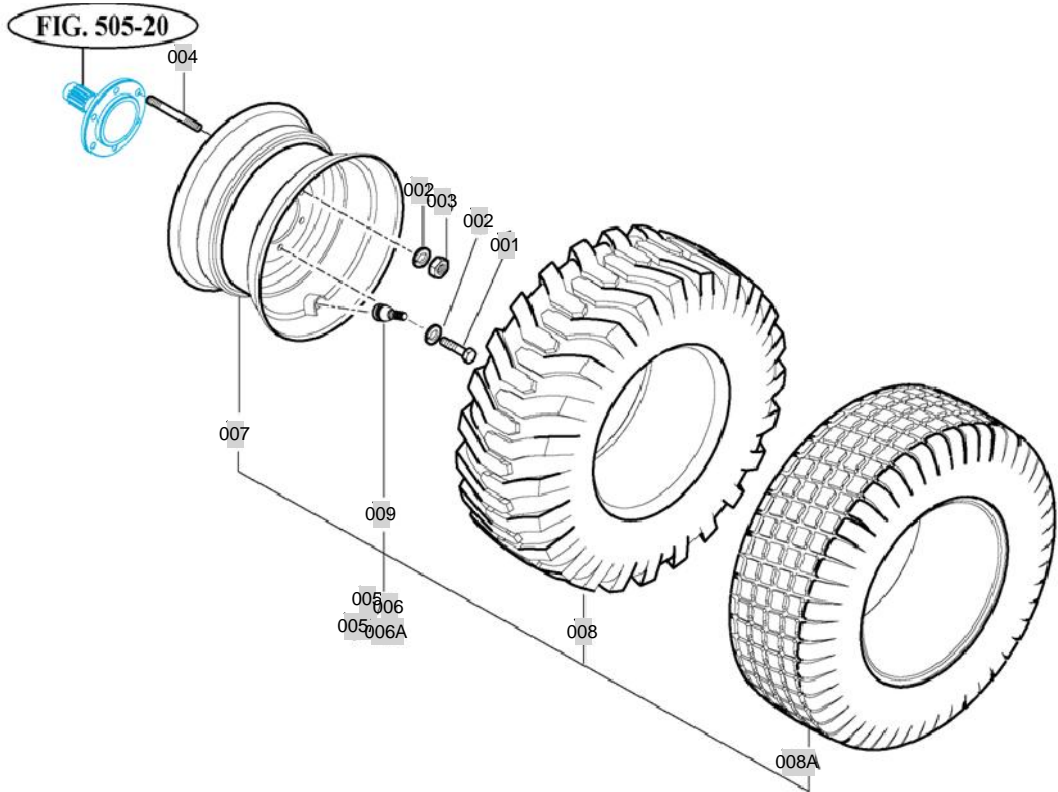
FIG 304

FRONT WHEEL MOUNTING

년/월  
Year/Month

2020.07

T394NH



T384-E-304

NOTE



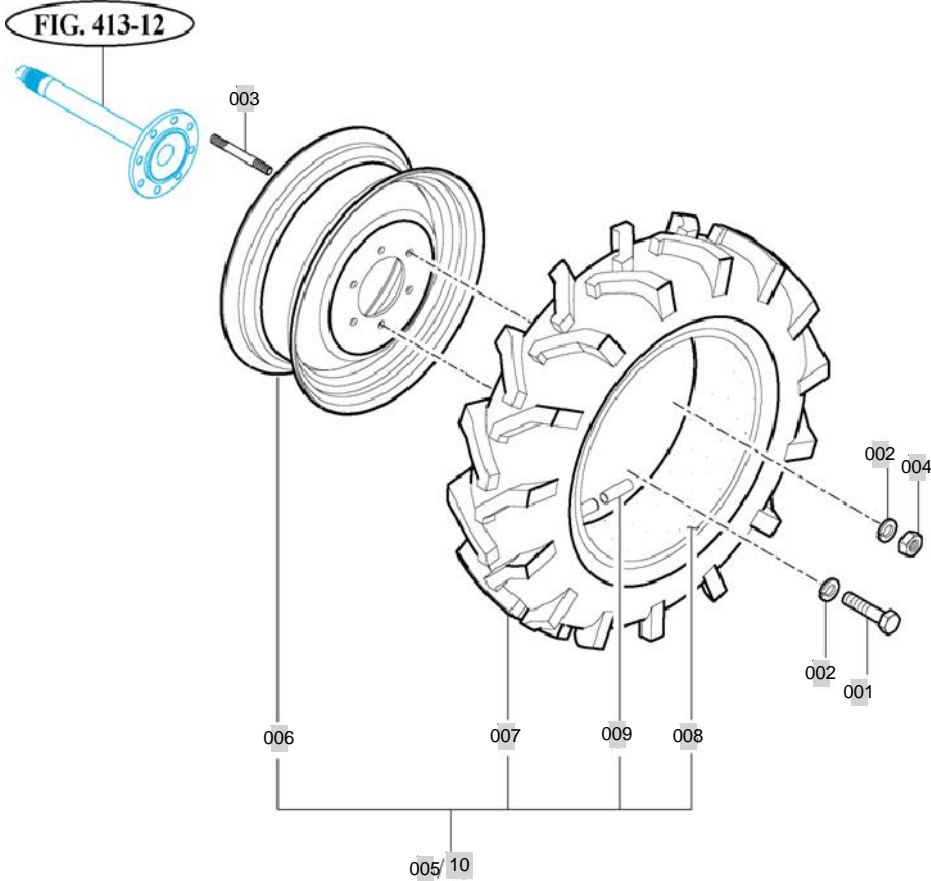
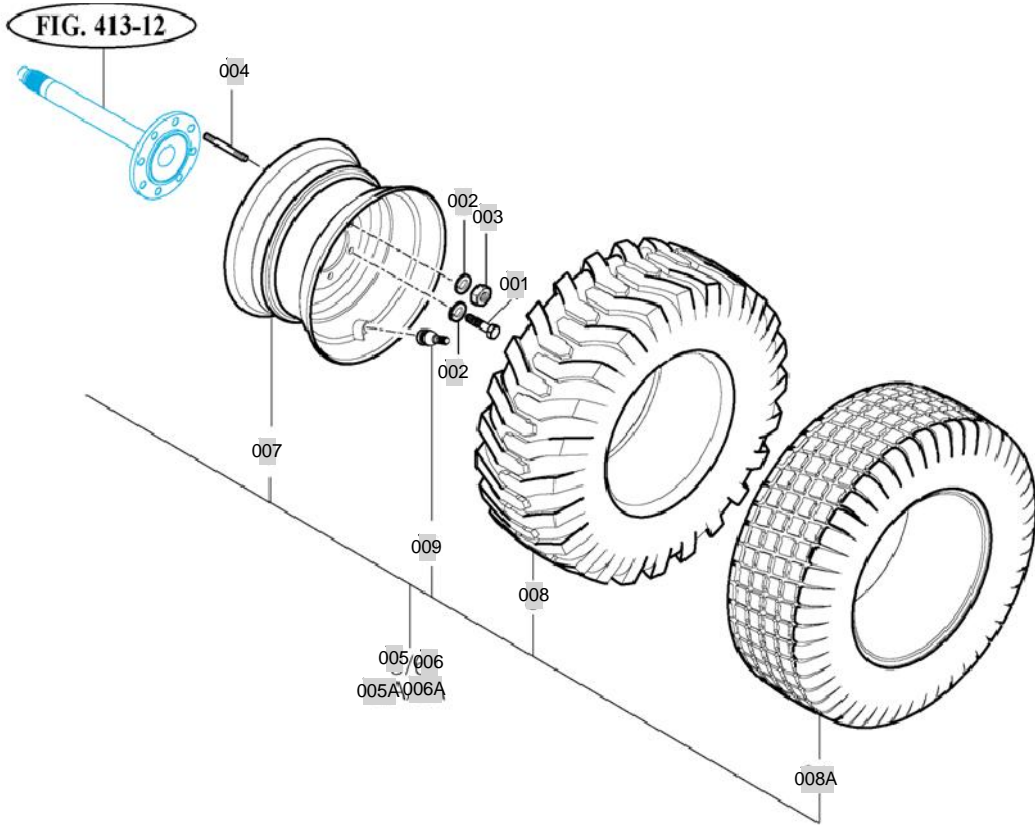
FIG 305

REAR WHEEL MOUNTING

년/월  
Year/Month

2020.07

T394NH



T384-E-305

NOTE





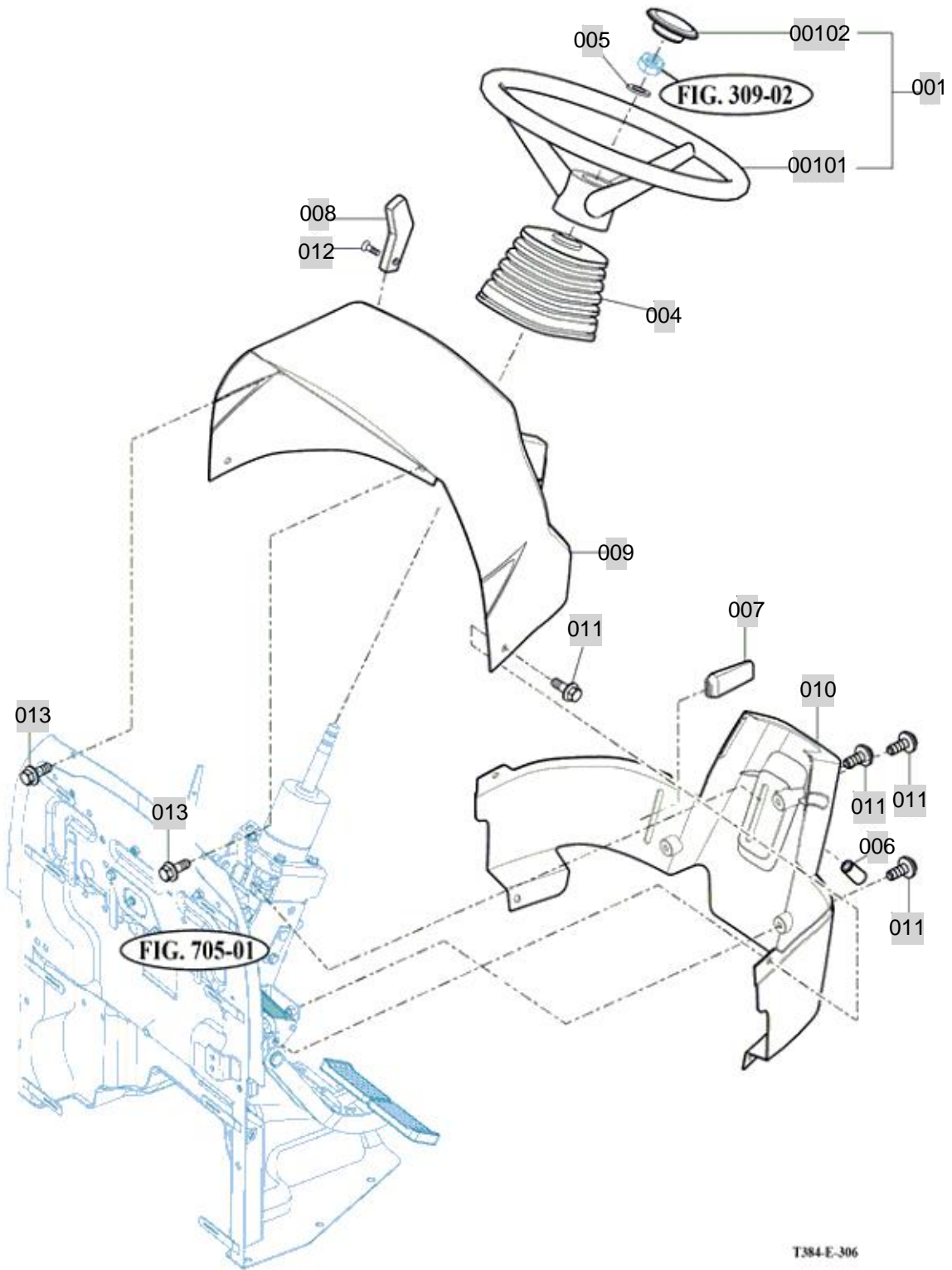
FIG 306

T394NH

STEERING WHEEL & DASH COVER

년/월  
Year/Month

2020.07



T384-E-306

NOTE



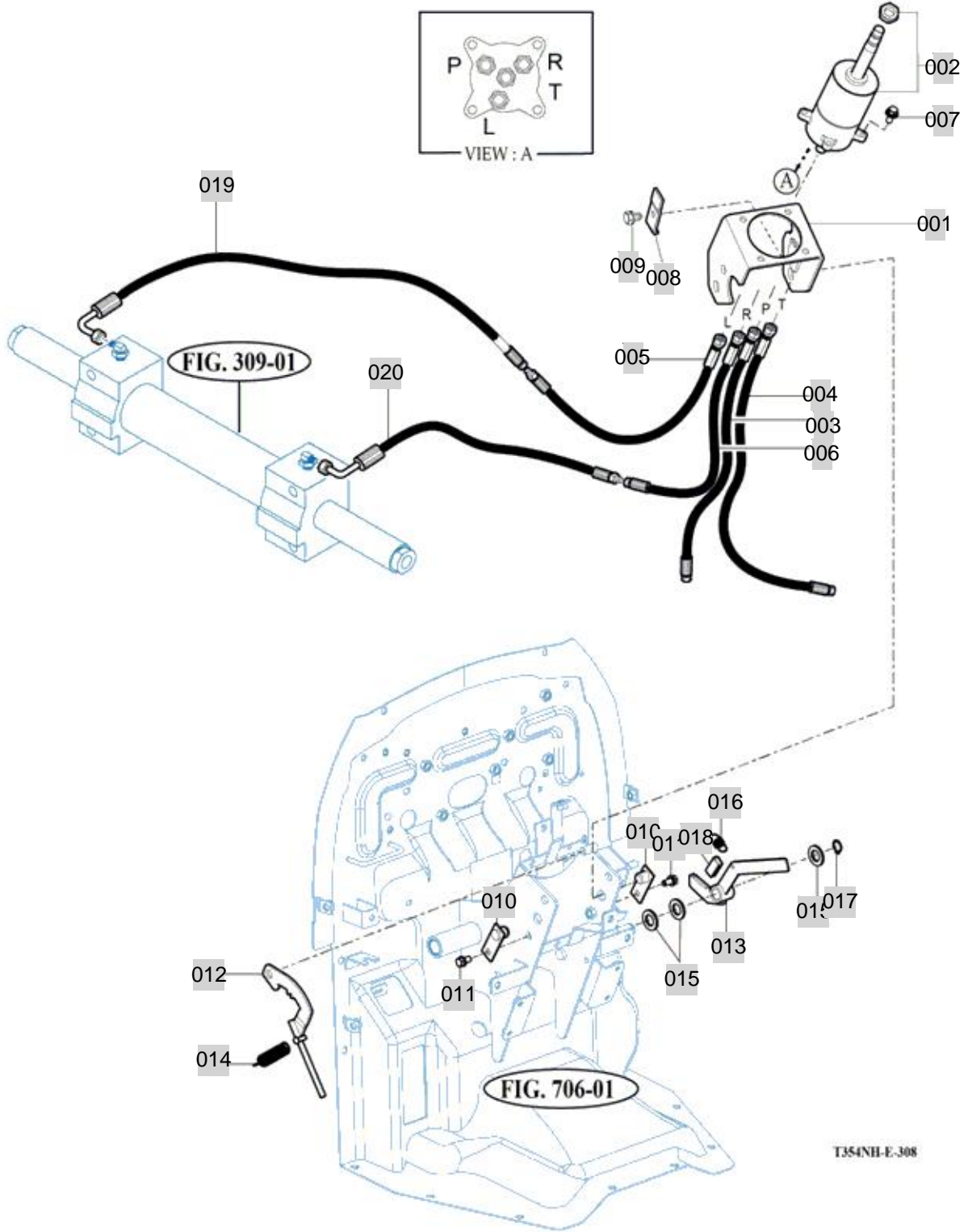
FIG 307

T394NH

STEERING VALVE & TILT

년/월  
Year/Month

2020.07



T354NH-E-308

NOTE



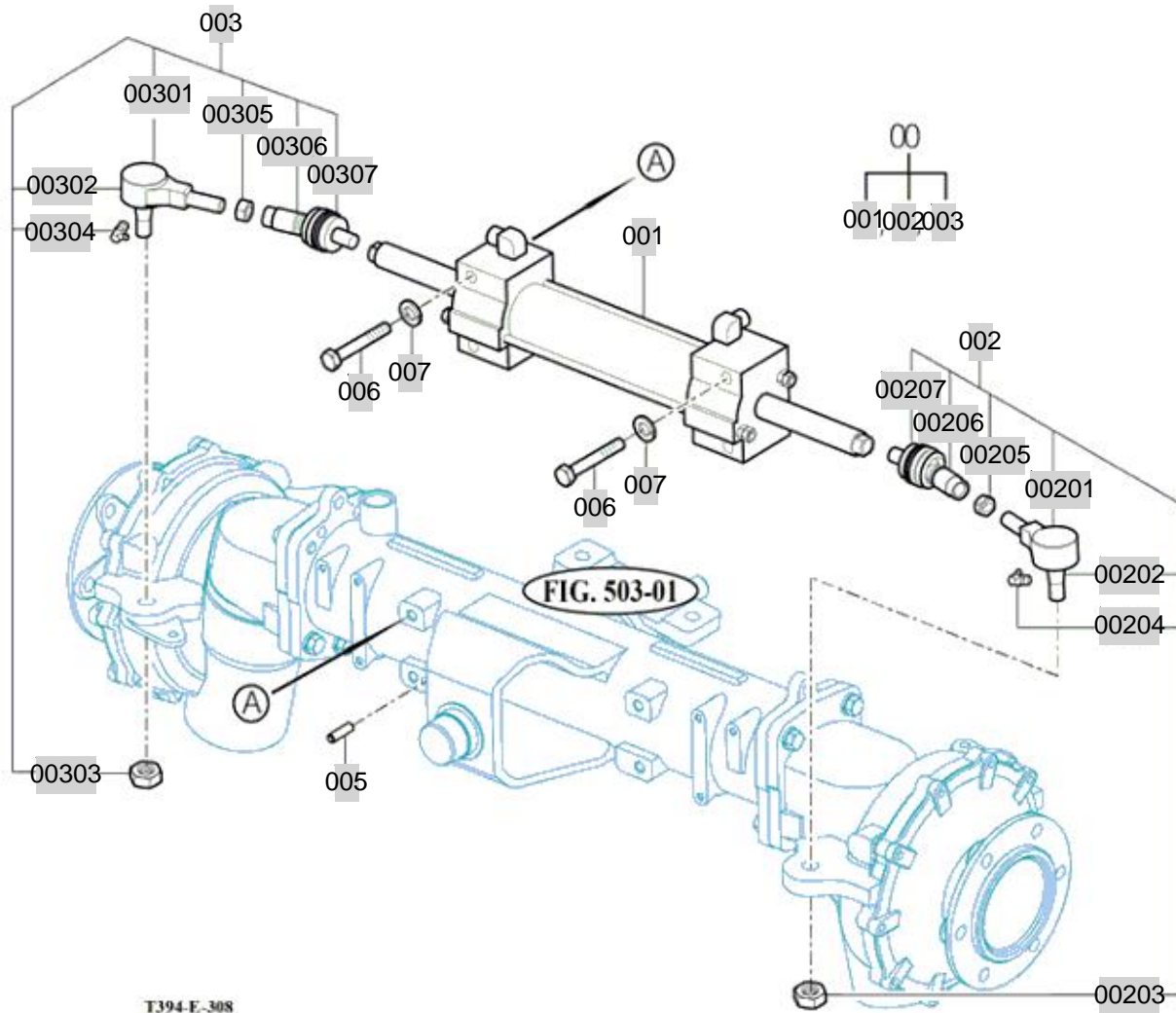
FIG 308

T394NH

STEERING CYLINDER

년/월  
Year/Month

2020.07



T394-E-308

NOTE



## 4. TRANSMISSION & REAR AXLE PART NO. T394NH-C4

FIG 401 TRANSMISSION FRONT CASE	73
FIG 402 HST	75
FIG 403 MID CASE	77
FIG 404 4WD DRIVE GEAR	79
FIG 405 INPUT GEAR	81
FIG 406 SUB CHANGE GEARS	83
FIG 407 PINION GEARS	85
FIG 408 P.T.O DRIVE SHAFT	87
FIG 409 P.T.O CHANGE GEARS	89
FIG 410 DIFF LOCK	91
FIG 411 TRANSMISSION REAR CASE	93
FIG 412 REAR AXLE HOUSINGS(1)	95
FIG 413 REAR AXLE HOUSINGS(2)	97
FIG 414 MID P.T.O GEARS	99
FIG 415 SUB CHANGE LEVER	101
FIG 416 FORWARD & REVERSE CONTROL LINKAGE	103
FIG 417 CRUISE CONTROL KIT(OPTION)	105
FIG 418 4WD CHANGE LEVER	107



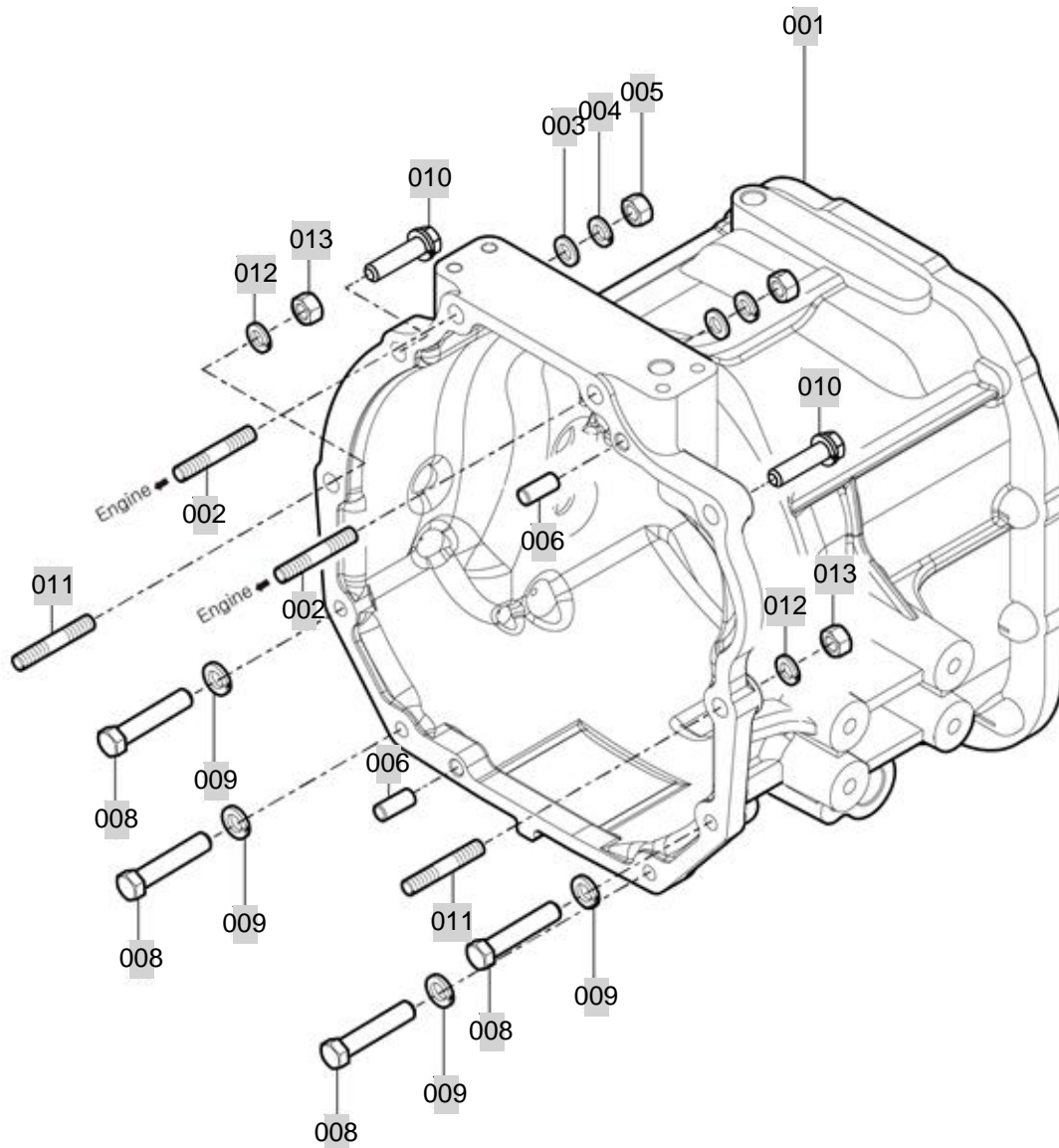
FIG 401

T394NH

TRANSMISSION FRONT CASE

년/월  
Year/Month

2020.07



T384NH-E-401

NOTE



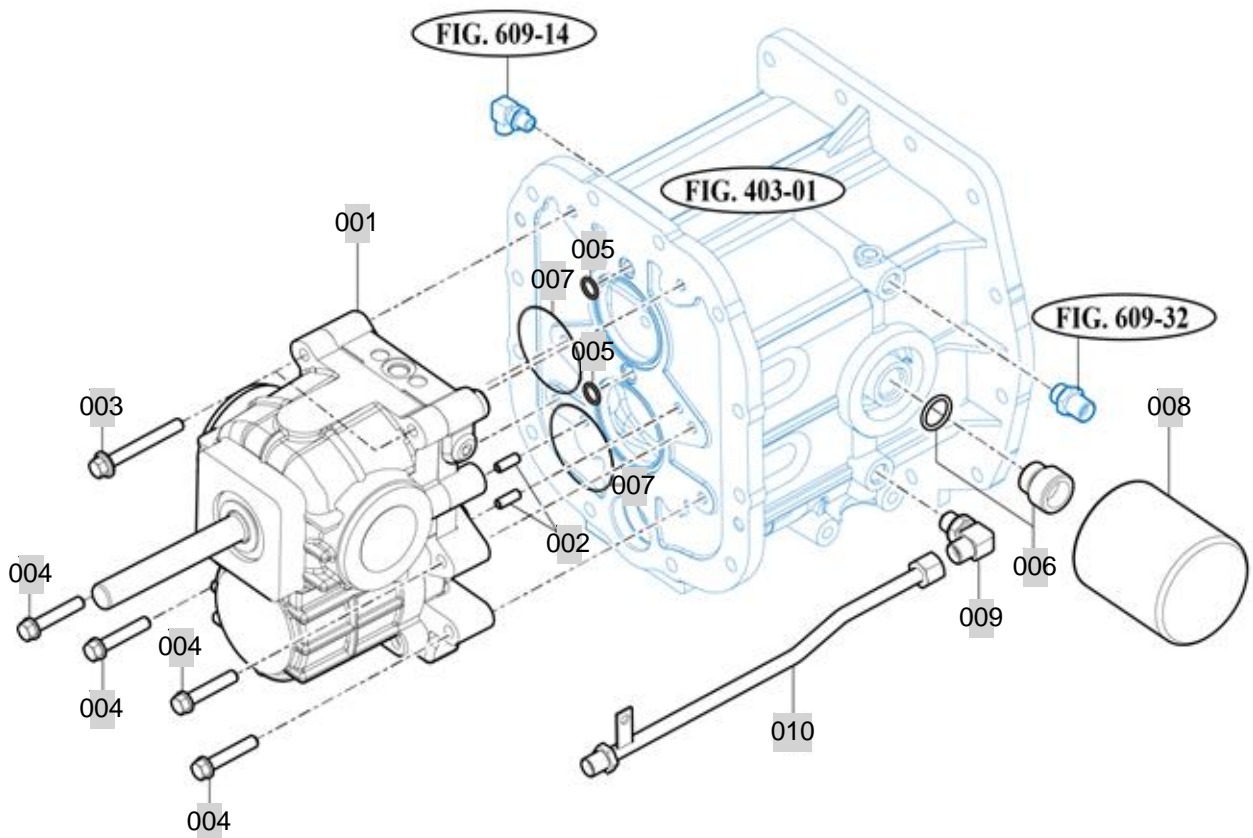
FIG 402

T394NH

HST

년/월  
Year/Month

2020.07



NOTE



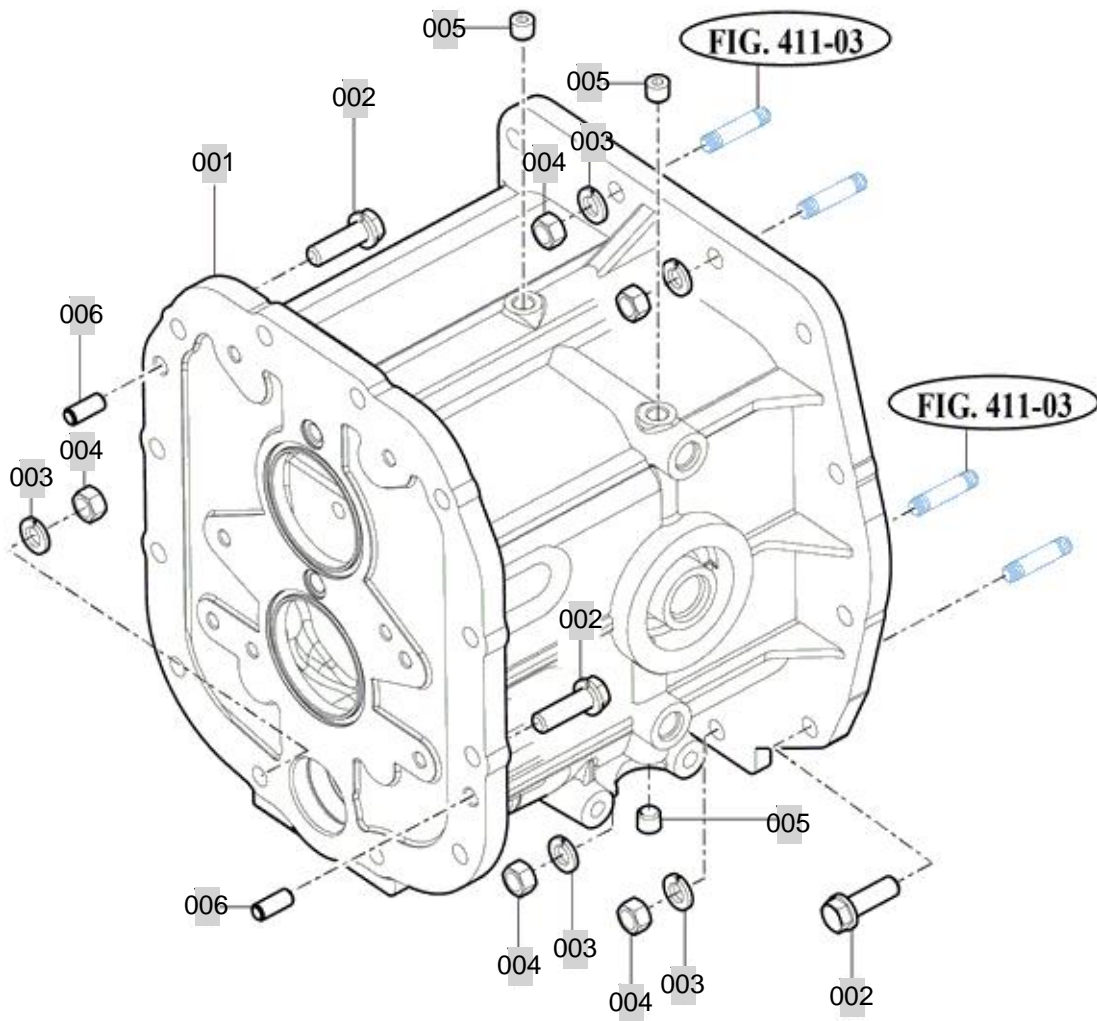
FIG 403

T394NH

MID CASE

년/월  
Year/Month

2020.07



NOTE



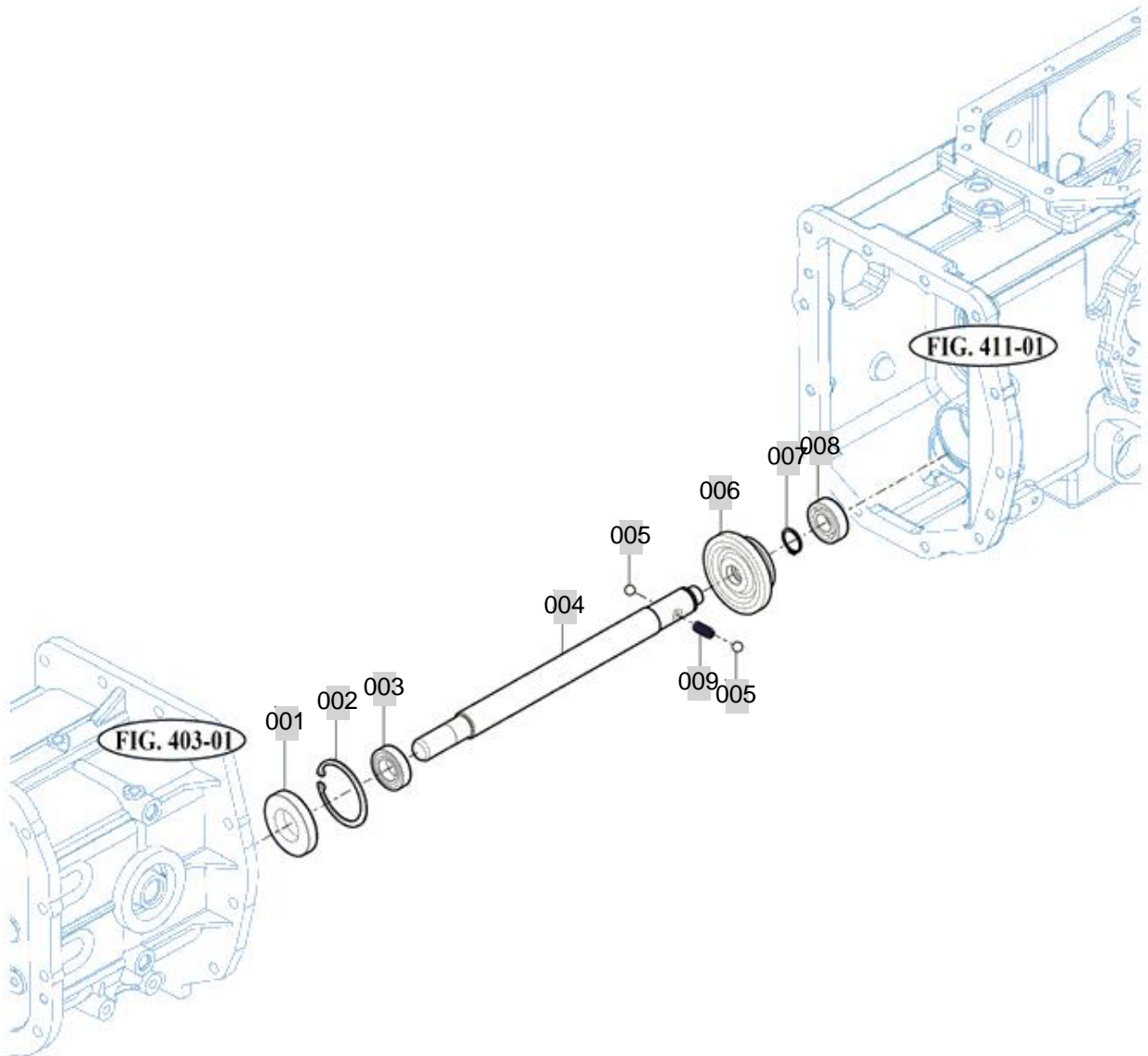
FIG 404

T394NH

4WD DRIVE GEAR

년/월  
Year/Month

2020.07



NOTE





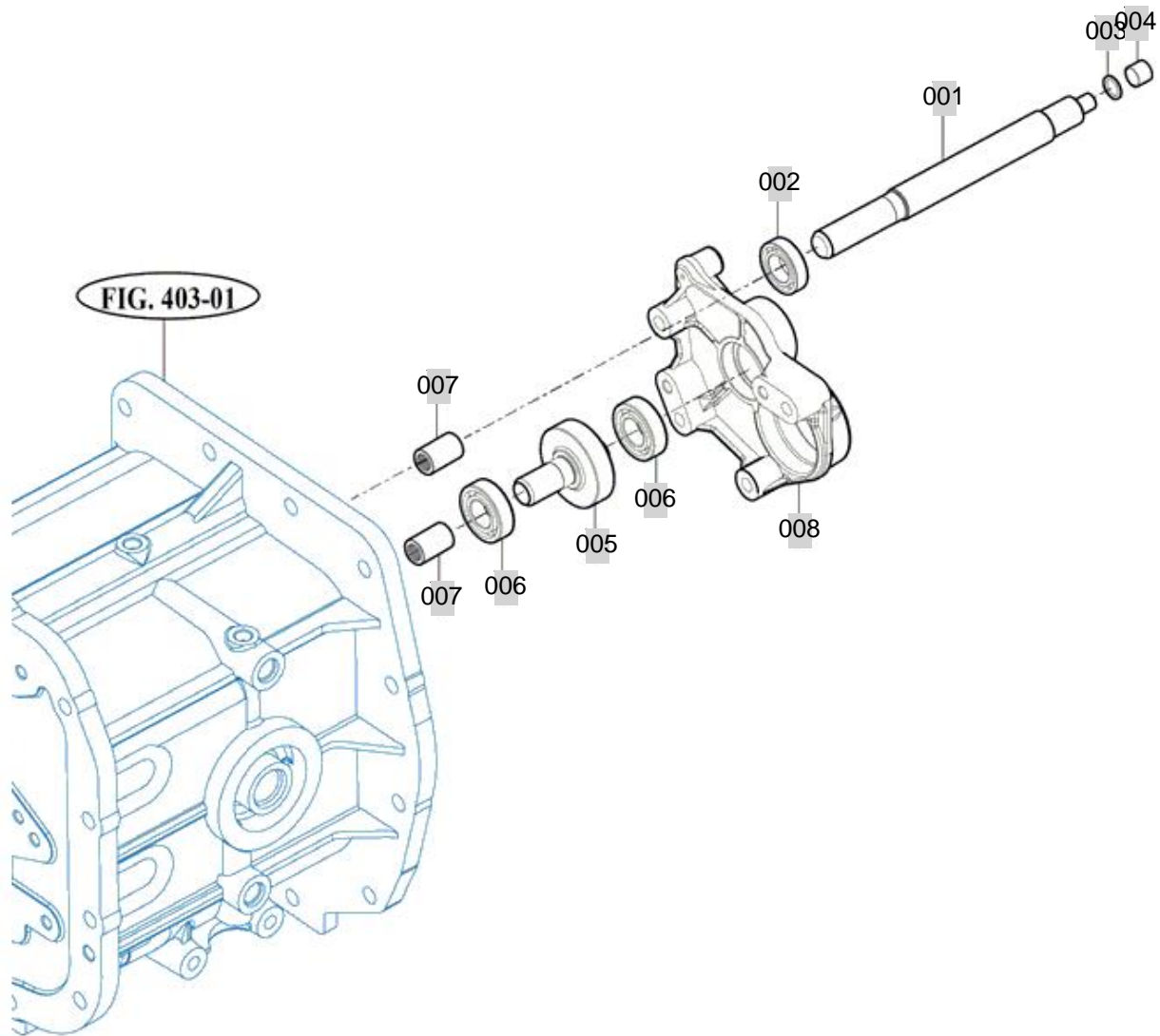
FIG 405

T394NH

INPUT GEAR

년/월  
Year/Month

2020.07



NOTE



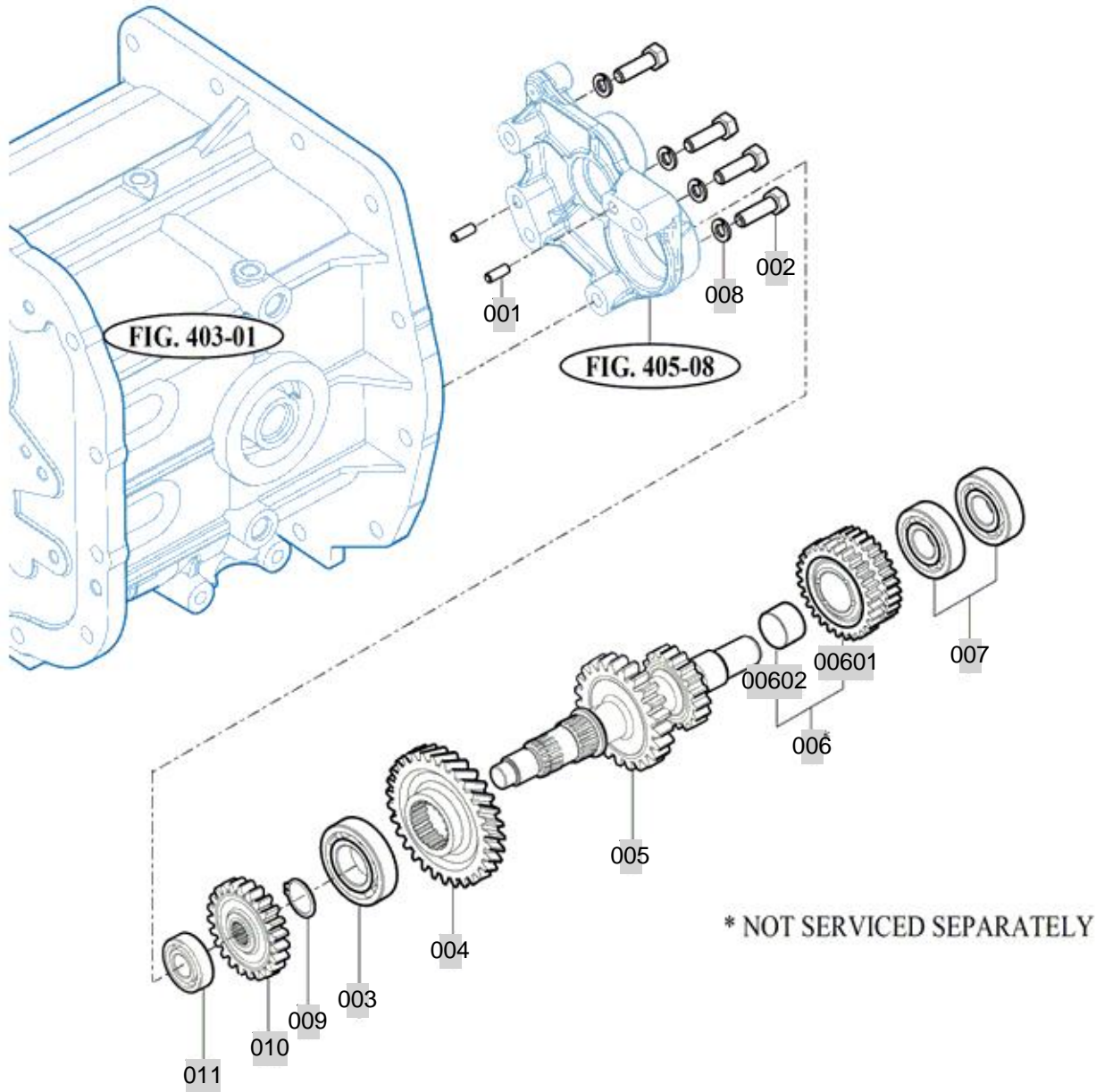
FIG 406

T394NH

SUB CHANGE GEARS

년/월  
Year/Month

2020.07



NOTE



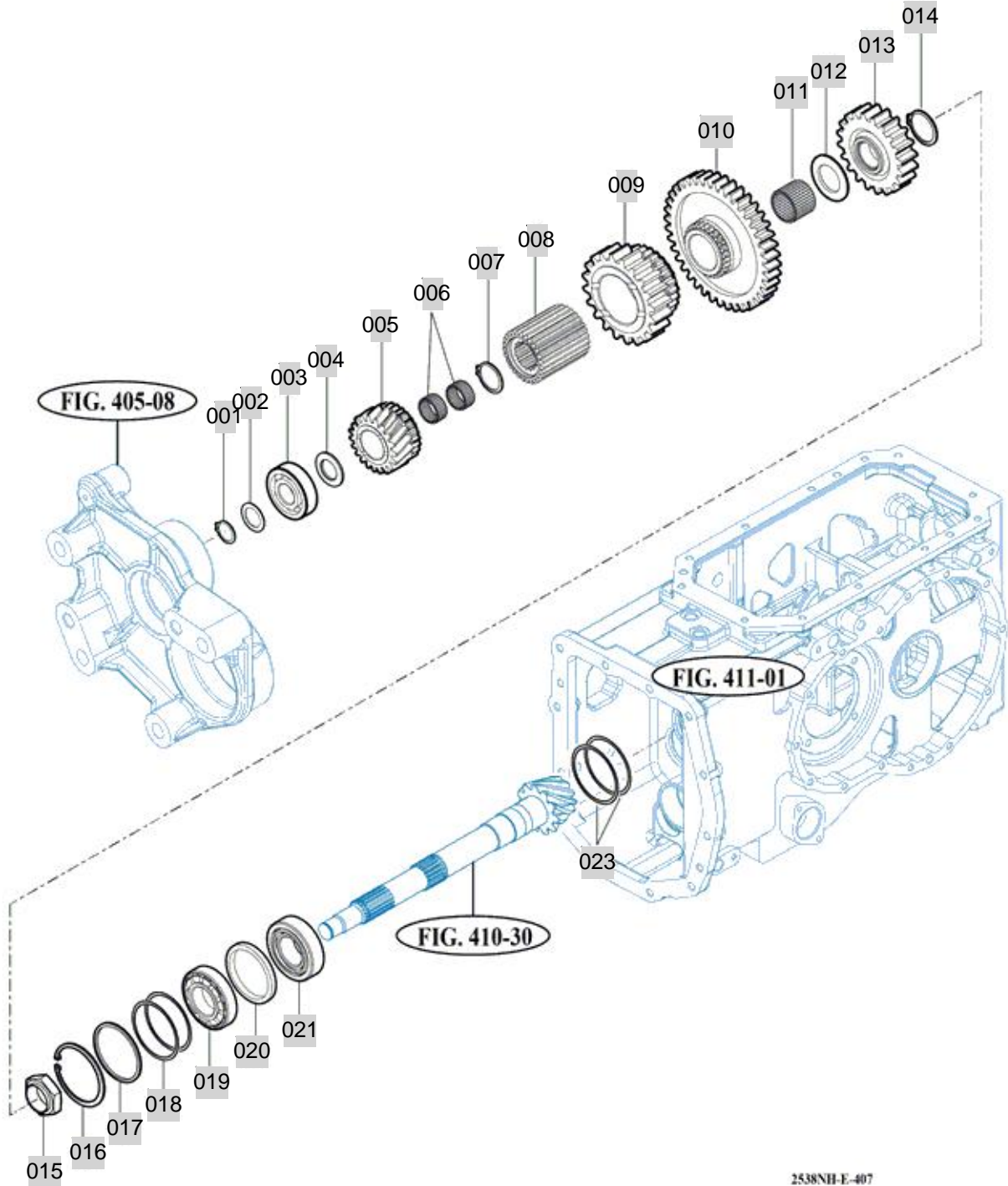
FIG 407

T394NH

PINION GEARS

년/월  
Year/Month

2020.07



2538NH-E-407

NOTE



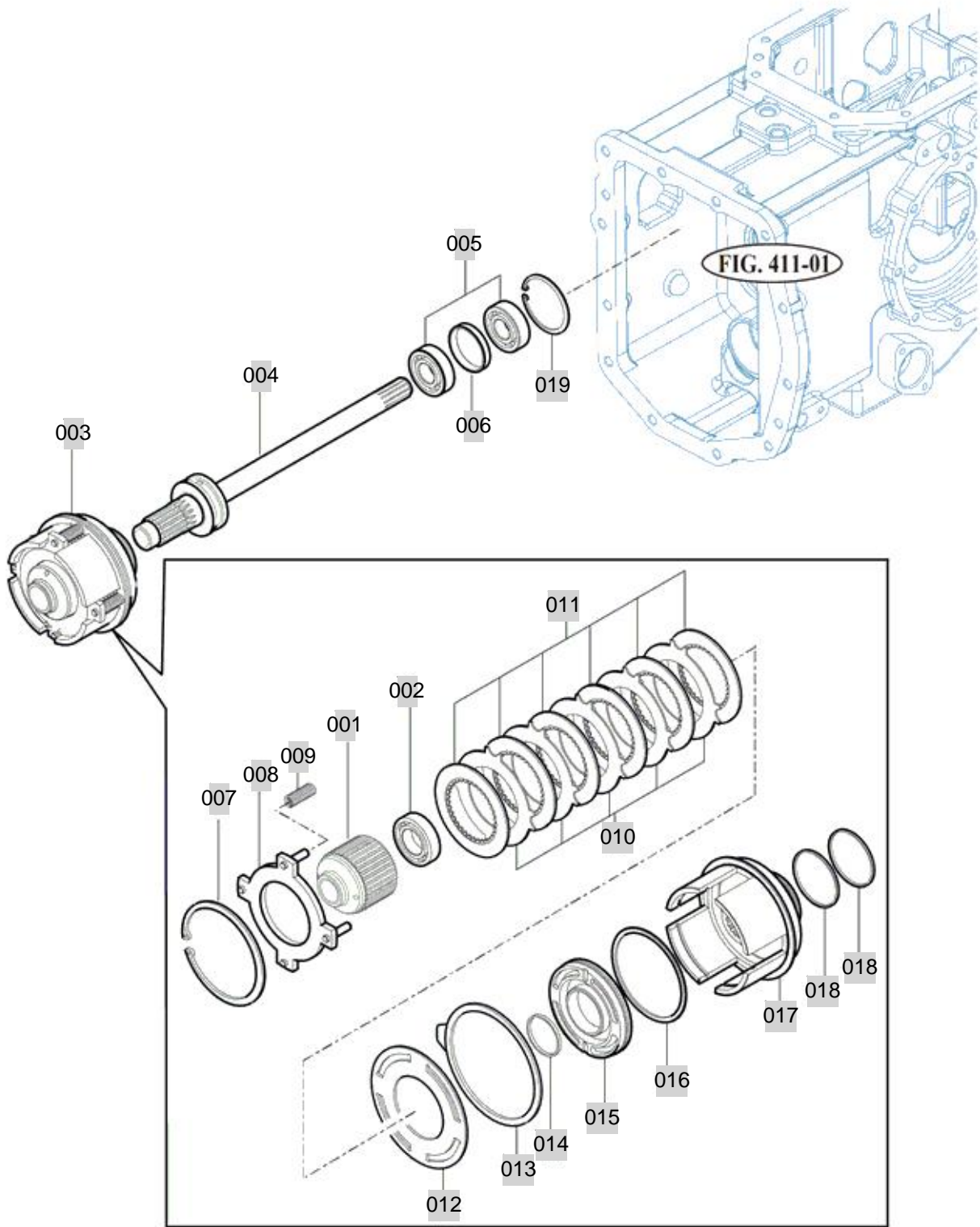
FIG 408

T394NH

P.T.O DRIVE SHAFT

년/월  
Year/Month

2020.07



T303/353NC-E-408

NOTE





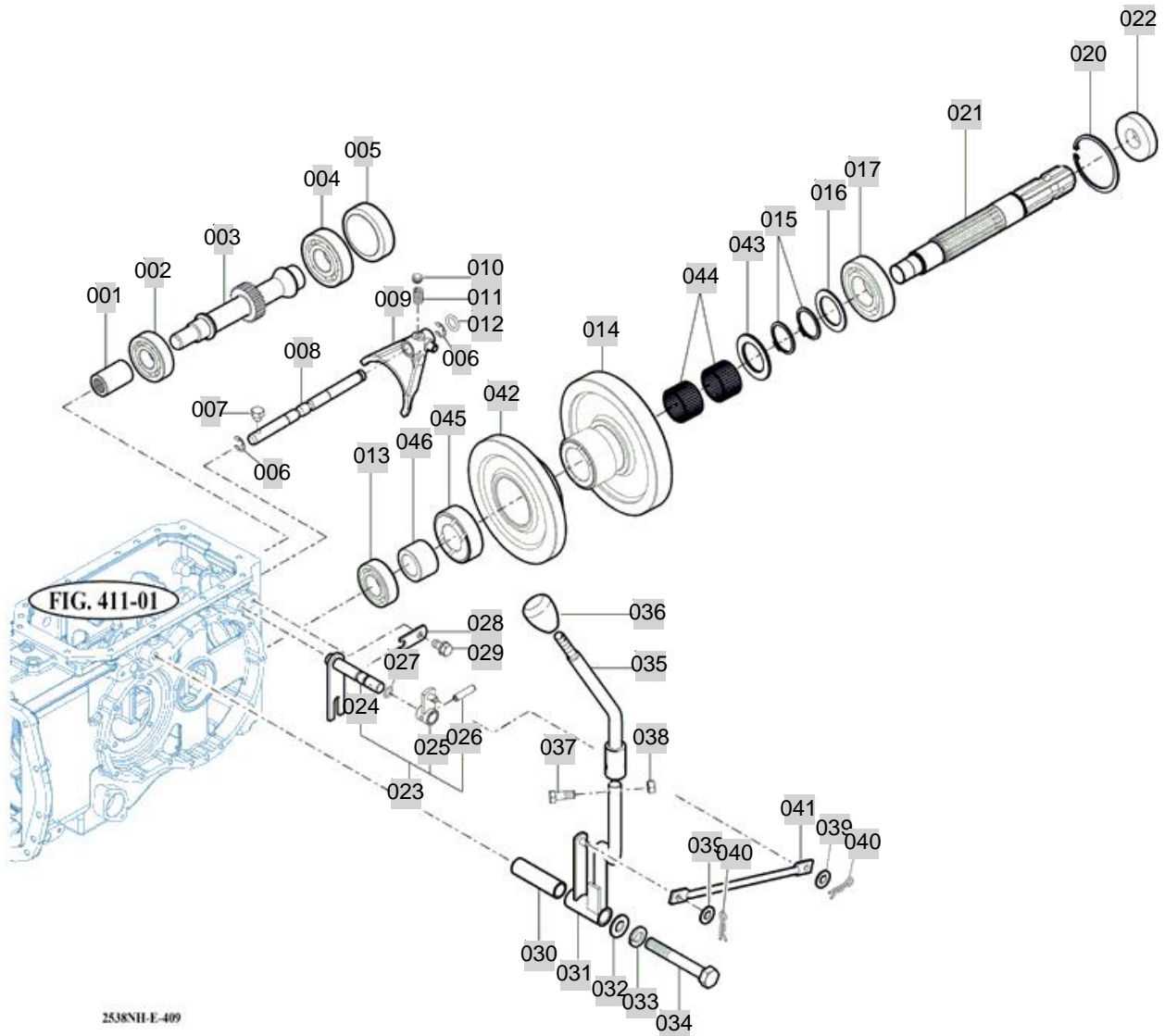
FIG 409

T394NH

P.T.O CHANGE GEARS

년/월  
Year/Month

2020.07



2538NH-E-409

NOTE

FIG 409		P.T.O CHANGE GEARS					년/월 Year/Month		
							2020.07		
T394NH		KEY NO	PART NO	DESCRIPTION	SPEC	QTY	REPAIR	EFFECTIVE DATE	REMARKS
409	001	14211340190	COUPLING	22X51	1			20100702	
409	002	V6001106305	BEARING , BALL	6305	1				
409	003	12352543530	SHAFT , PTO COUNT		1				
409	004	V6001106306	BEARING , BALL	6306	1				
409	005	14254330180	CAP , 72		1				
409	006	V7081400100	E-RING	10	2				
409	007	15602231610	BOLT , SET M8X16	M8X16	1				
409	008	12382540020	STAY , PTO SHIFT		1				
409	009	16702540011M	FORK , PTO	1X1X1	1				
409	010	V6802000010	BALL , STEEL	5/16	1				
409	011	13022250030	SPRING , SHIFTER	D=1.4	1			20070201	
409	012	V7201024010	O-RING , P	P10	1				
409	013	V6001106205	BEARING , BALL	6205	1				
409	014	12352530020	GEAR ,SPUR PTO 54T		1				
409	015	V7041400350	C-RING , SHAFT	35	2				
409	016	14443140041	COLLAR , 35X50X2	T=2	1				
409	017	V6001106207	BEARING , BALL	6207	1				
409	020	V7051400720	C-RING , HOLE	72	1				
409	021	12382530010	SHAFT , PTO		1				
409	022	16322732000	SEAL ASSY , OIL		1				
409	023	16702555102	HOOK SET , RR PTO	1X1X1	1				
409	024	16702542102	HOOK COMP , RR PTO	1X1X1	1				
409	025	16702432201	ARM COMP , RANGE	1X1X1	1				
409	026	V5801406025	PIN , SPRING	6X25	1				
409	027	V7201024012	O-RING , P	P12	1				
409	028	16702230371	PLATE	T=3	1				
409	029	V2173608016	BOLT , HEX/S	M8X16	1			20120501	
409	030	16702440070	HIB(13*17*61)	17.3*2.35	1			20060922	
409	031	16702552102	LEVER COMP , PTO/DOWN	1X1X1	1				
409	032	V4111600120	WASHER , PLAIN	M12	1			20050901	
409	033	V4011600120	WASHER , SPRING	M12	1				
409	034	V2013612085	BOLT , HEX	M12X85	1				
409	035	16702552201GB	LEVER COMP ,PTO(UP)	1X1X1	1				
409	036	15442190050	GRIP , LEVER 12		1				
409	037	V2013608035	BOLT , HEX	M8X35	1			20030601	
409	038	V3042600080	NUT , HEX/2	M8	1			20081201	
409	039	V4111600080	WASHER , PLAIN	M8	2			20081201	
409	040	V5601600008	PIN , SNAP	8	2				
409	041	16702553100	ROD , 236	D=9	1				
409	042	12382530030	GEAR , SPUR 41T		1				
409	043	15642730082	WASHER , 35X55X3	D=55	1				
409	044	V6544354026	BEARING , NEEDLE CAGED	KT354026	2				
409	045	15642730052	HUB , 35X62X20		1				
409	046	12382530040	WASHER , 25X40X26	D=40	1				
NOTE									

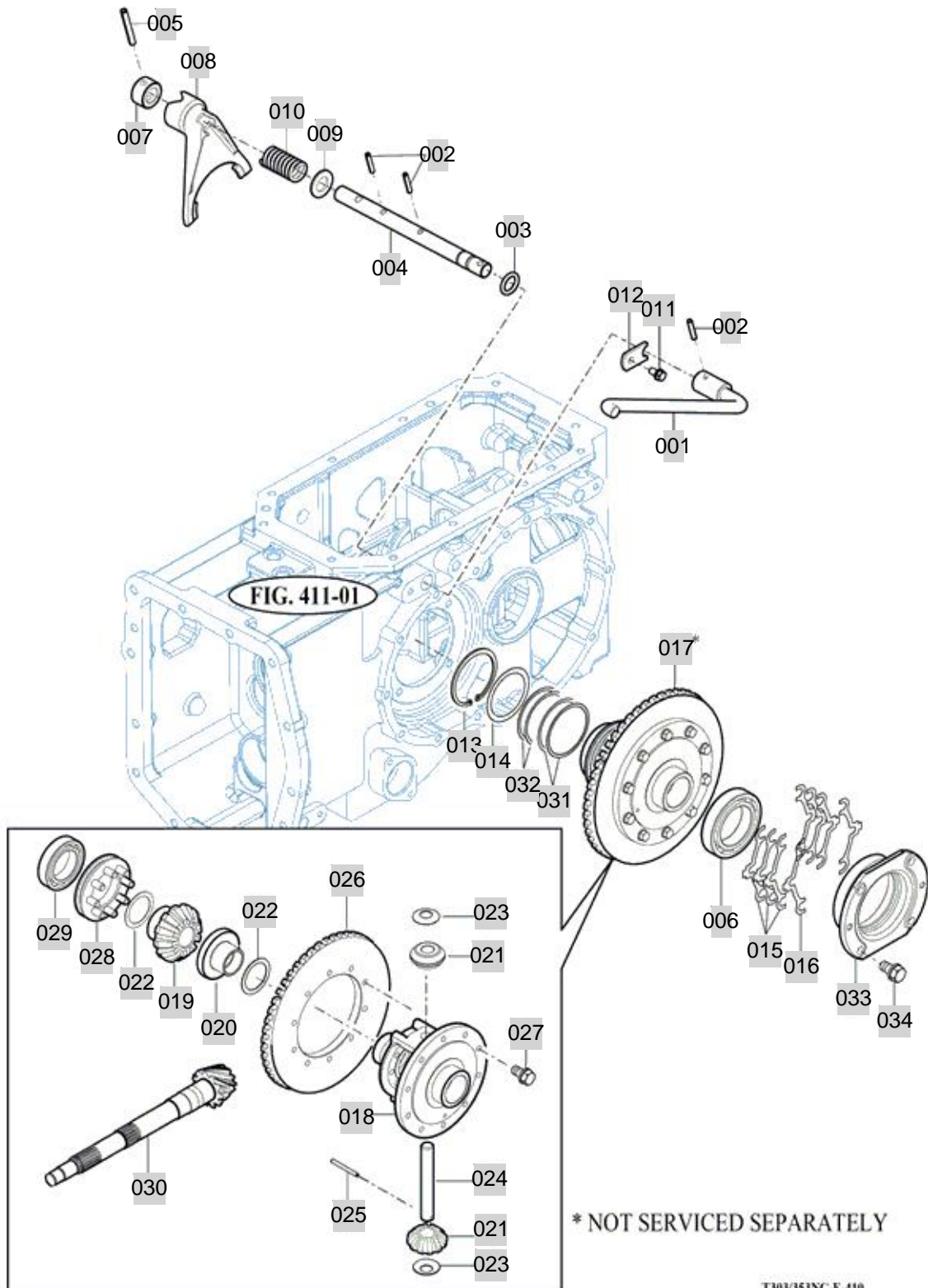
FIG 410

DIFF LOCK

년/월  
Year/Month

T394NH

2020.07



T303/353NC-E-410

NOTE



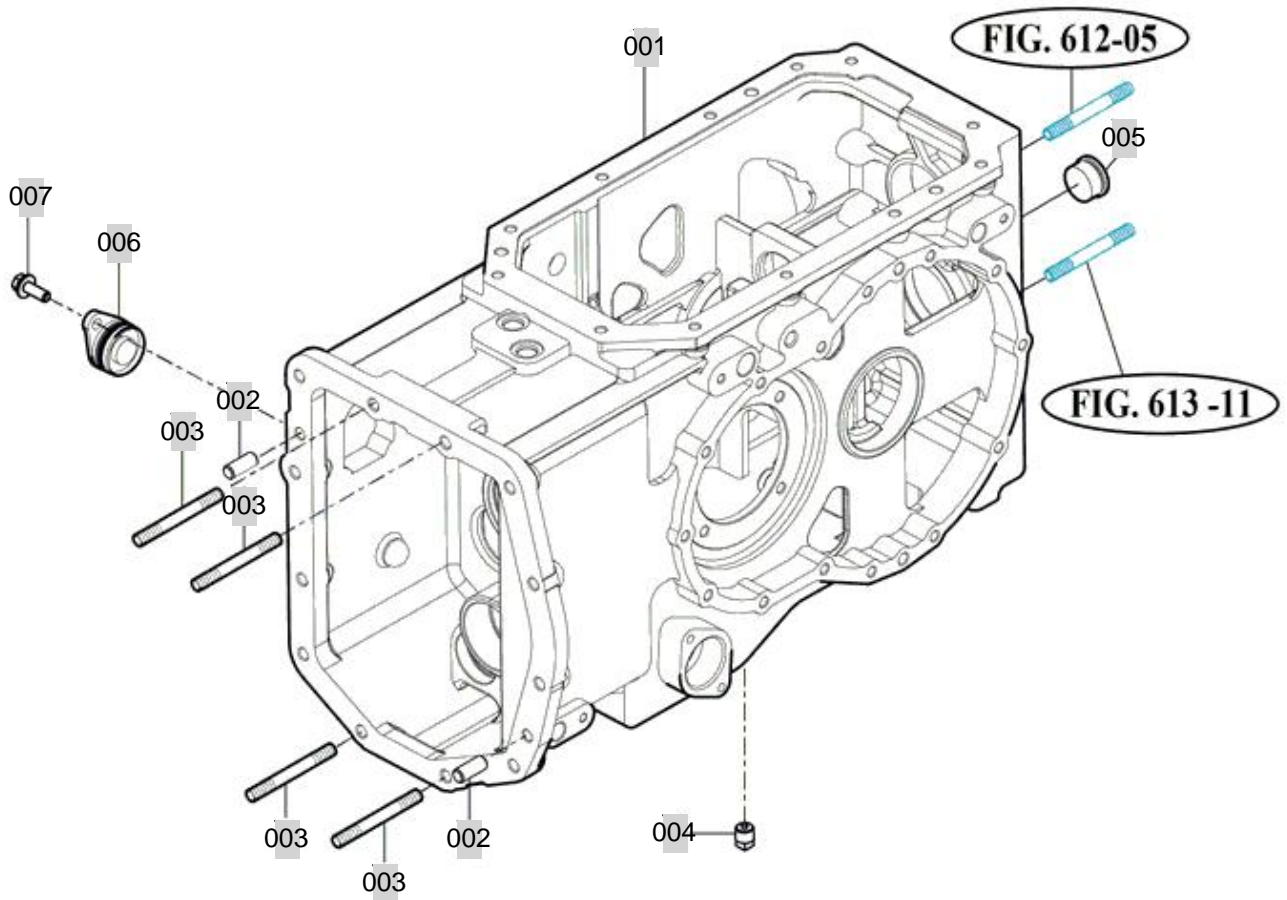
FIG 411

T394NH

TRANSMISSION REAR CASE

년/월  
Year/Month

2020.07



T394NH-E-411

NOTE

FIG 411 T394NH	TRANSMISSION REAR CASE	년/월 Year/Month
		2020.07

KEY NO	PART NO	DESCRIPTION	SPEC	QTY	REPAIR	EFFECTIVE DATE	REMARKS
411	001	12352400010M	CASE , RR TRANSMISSION		1		
411	002	V5201010022	PIN , PARALLEL/A	10X22	2		
411	003	V2513412040	BOLT , STUD/2	M12X40	4		
411	004	16701015001	PLUG ASSY , DRAIN (MAGNET)	1X1X1	1	20120423	
411	005	11103062000	GAUGE ASSY , OIL LEVEL		1		
411	006	12355153000	SUCTION ASSY , HEAD		1		
411	007	V2183610025	BOLT , HEX/SP	M10X25	1		
NOTE							

FIG 412

T394NH

REAR AXLE HOUSINGS(1)

년/월  
Year/Month

2020.07

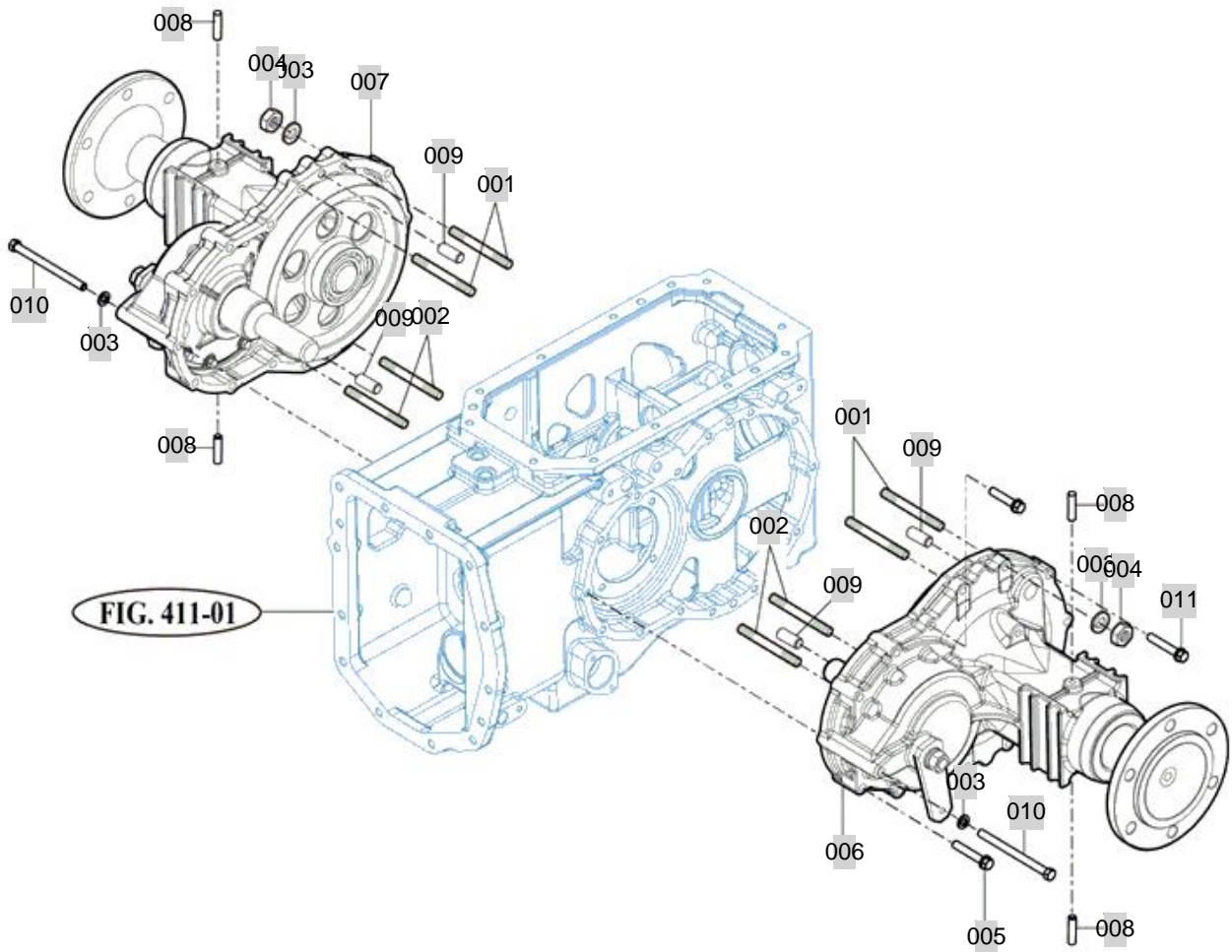


FIG. 411-01

2538NH-E-412

NOTE





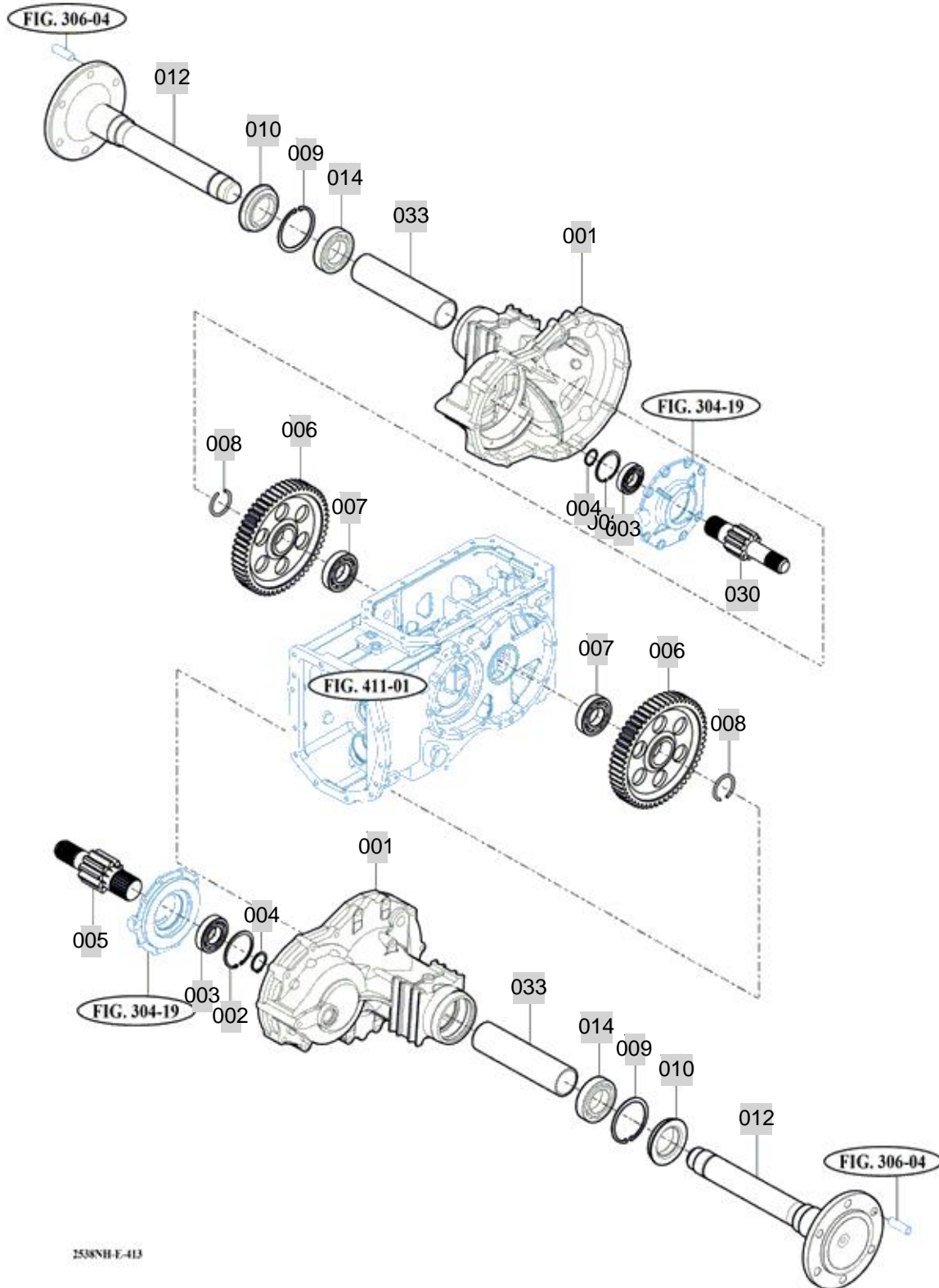
FIG 413

T394NH

REAR AXLE HOUSINGS(2)

년/월  
Year/Month

2020.07



NOTE



FIG 414

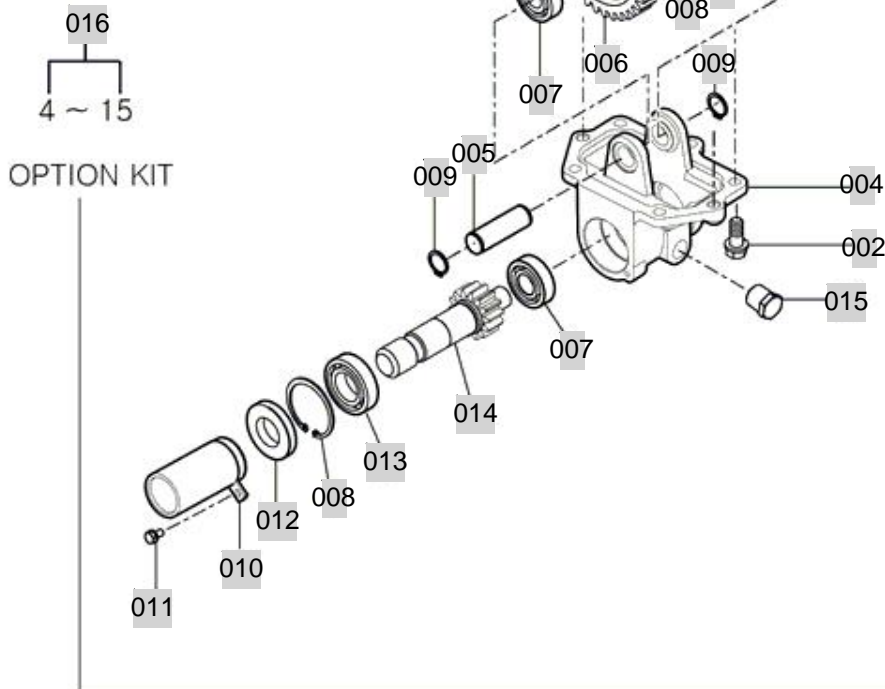
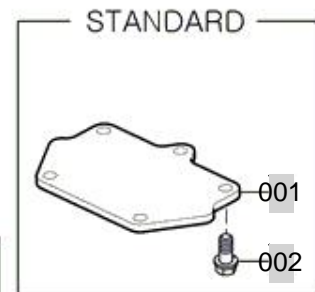
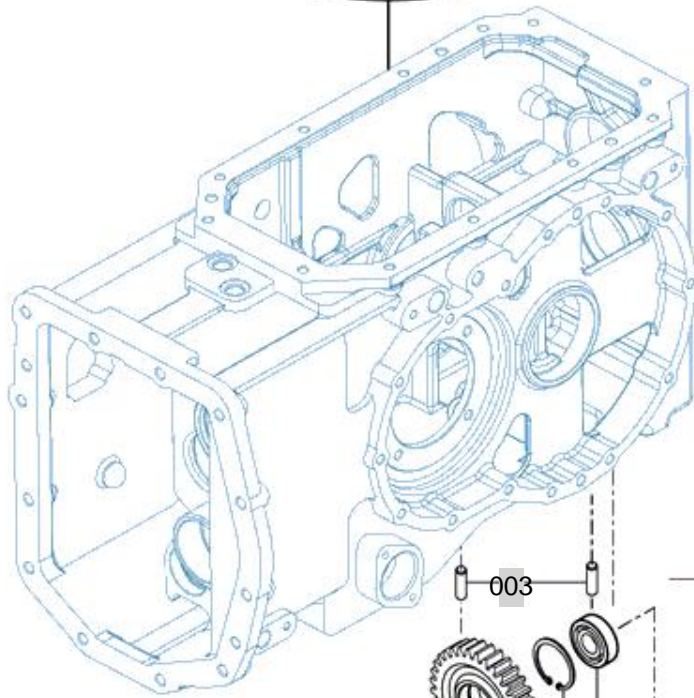
MID P.T.O GEARS

년/월  
Year/Month

2020.07

T394NH

FIG. 411-01



2538NH-E-414

NOTE



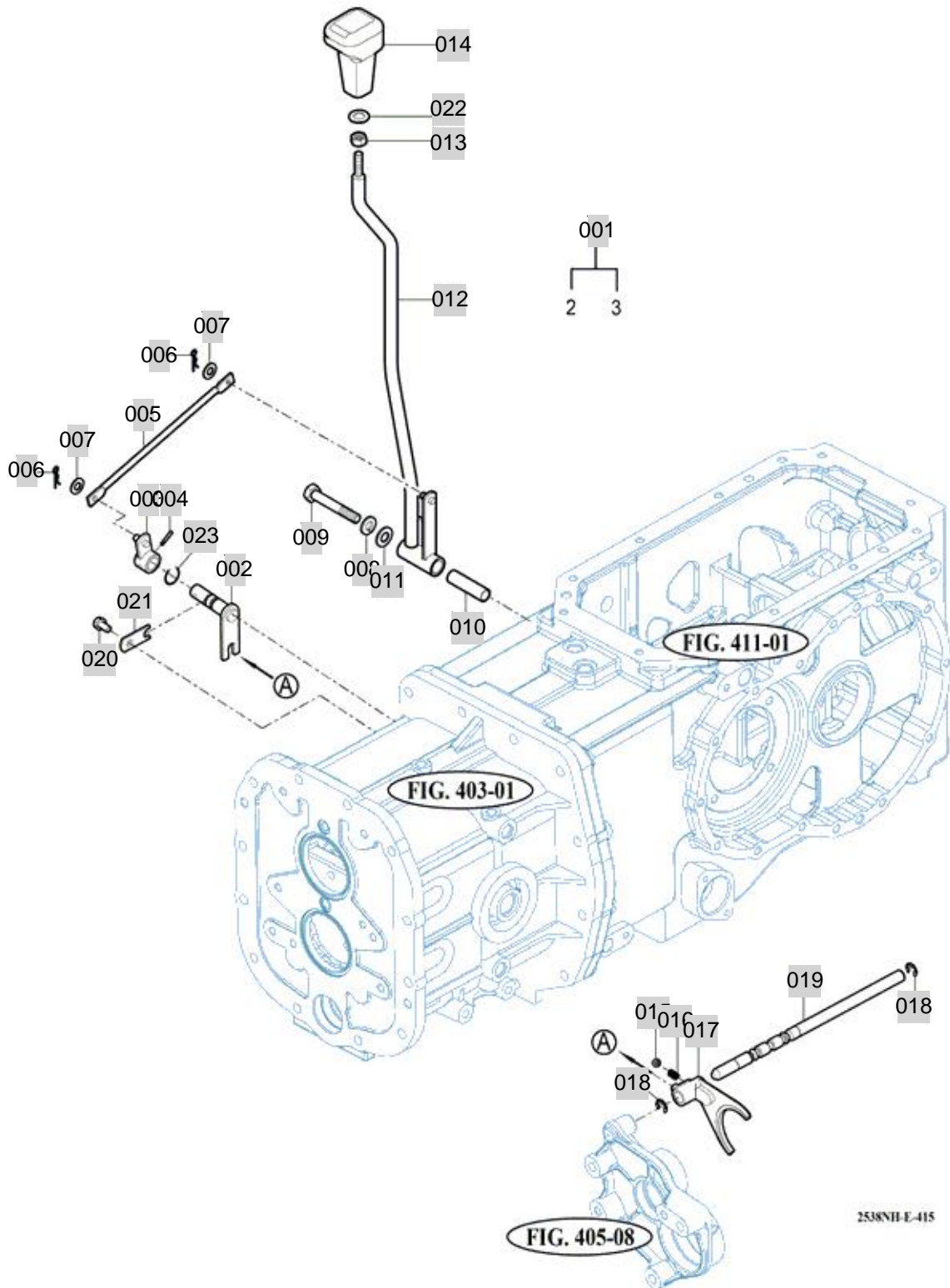
FIG 415

T394NH

SUB CHANGE LEVER

년/월  
Year/Month

2020.07



NOTE



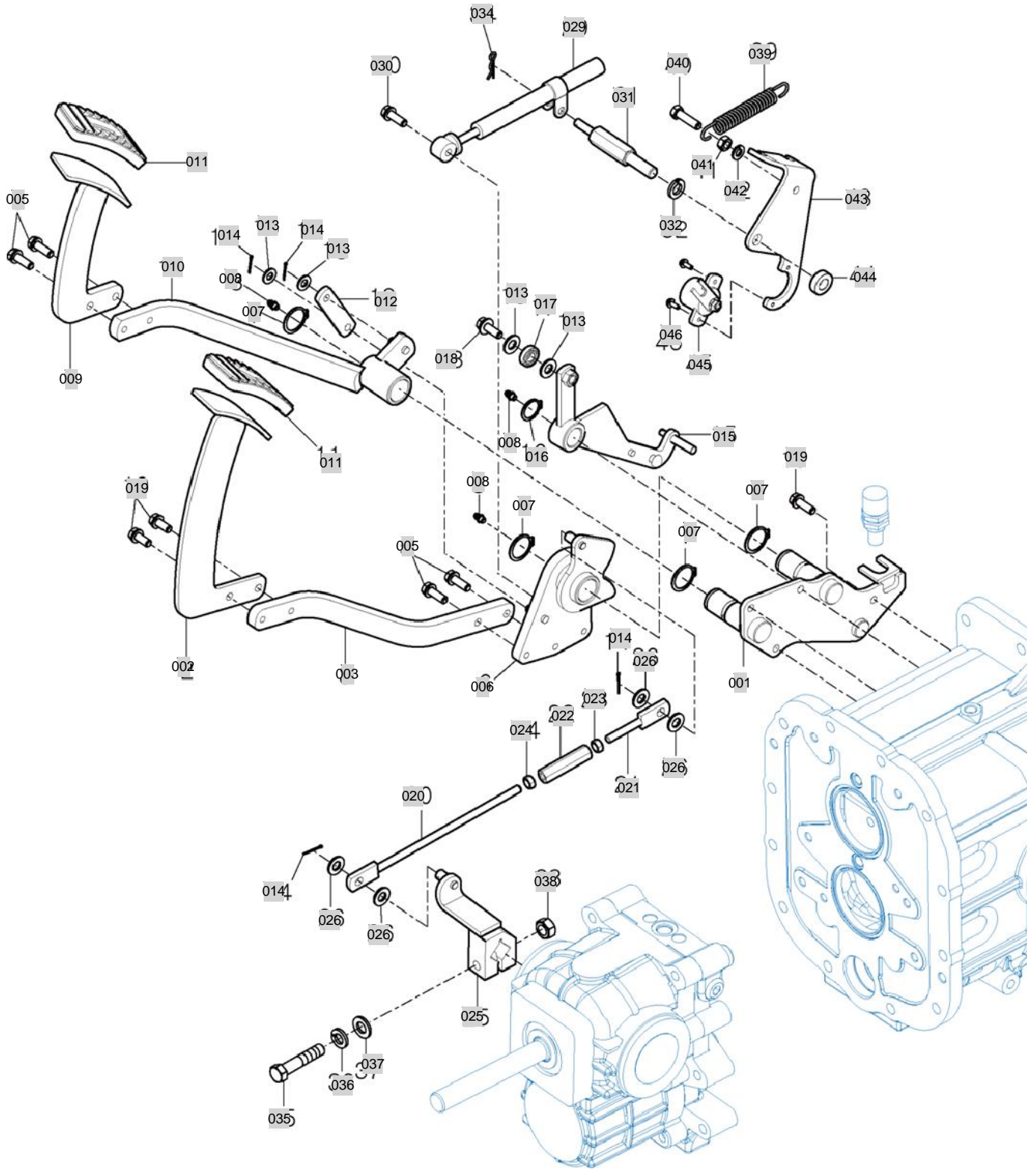
FIG 416

FORWARD & REVERSE CONTROL LINKAGE

년/월  
Year/Month

2020.07

T394NH



NOTE

FIG 416		FORWARD & REVERSE CONTROL LINKAGE					년/월 Year/Month	
T394NH							2020.07	
KEY NO	PART NO	DESCRIPTION	SPEC	QTY	REPAIR	EFFECTIVE DATE	REMARKS	
416	001	12382313201	BRACKET COMP, HST PEDAL					
416	002	14722312703GB	PEDAL COMP , FORWARD	1X1X1	1			
416	003	14722310052	PLATE , FORWARD	25X9	1			
416	005	V2173608025	BOLT , HEX/S	M8X25	4	20050201		
416	006	12382312300	ARM COMP , FORWARD		1			
416	007	V7041400250	C-RING , SHAFT	25	4			
416	008	V7601500000	NIPPLE , GREASE/A-M6F		3	20071112		
416	009	14722312802GB	PEDAL COMP , REVERSE	1X1X1	1			
416	010	14722312603	ARM COMP	1X1X1	1			
416	011	14722312730	PAD	1X1X1	2			
416	012	14722310023	PLATE , REVERSE	19X6	1			
416	013	V4111600080	WASHER , PLAIN	M8	4	20081201		
416	014	V5001920020	PIN , SPLIT	2X20	4	20040501		
416	015	10532312601	ARM COMP , CAM FOLLOWER		1			
416	016	V7041400200	C-RING , SHAFT	20	1			
416	017	14722310060	BEARING , BALL		1			
416	018	V2013608025	BOLT , HEX	M8X25	1			
416	019	V2173608025	BOLT , HEX/S	M8X25	6	20050201		
416	020	12382325100	ROD COMP , LH		1			
416	021	11102325200	ROD COMP , RH		1			
416	022	16601220020	TURNBUCKLE , M8 L60		1	20081001		
416	023	V3042600080	NUT , HEX/2	M8	1	20081201		
416	024	15601320073	NUT , HEX LH	"2종,M8"	1	20081201		
416	025	12382312101	BRACKET COMP , HOLDER		1			
416	026	V4111600100	WASHER , PLAIN	M10	4	20081201		
416	029	14722312401	DAMPER , OIL	1X1X1	1			
416	030	V2183608035	BOLT , HEX/SP	M8X35	1			
416	031	10532310090	PIN , OIL DAMPER		1			
416	032	V4011600120	WASHER , SPRING	M12	1			
416	034	V5601600008	PIN , SNAP	8	1			
416	035	V2173610055	BOLT , HEX/S	M10X55	1			
416	036	V4011600100	WASHER , SPRING	M10	1	20081001		
416	037	V4111600100	WASHER , PLAIN	M10	1	20081201		
416	038	V3043600100	NUT , HEX/2	M10	1	20030401		
416	039	14722310033	SPRING , RETURN	D=2.4	1			
416	040	V2013608035	BOLT , HEX	M8X35	1	20030601		
416	041	V3042600080	NUT , HEX/2	M8	1	20081201		
416	042	V4011600080	WASHER , SPRING	M8	1	20081201		
416	043	10531163810	BRACKET , P		1			
416	044	10532310080	COLLAR , 12X24X8		1			
416	045	14545300020	POTENTIOMETER ASSY	1X1X1	1	20081201		
416	046	V1222604012	SCREW , C/R PAN/SP	M4X12	2			
NOTE								



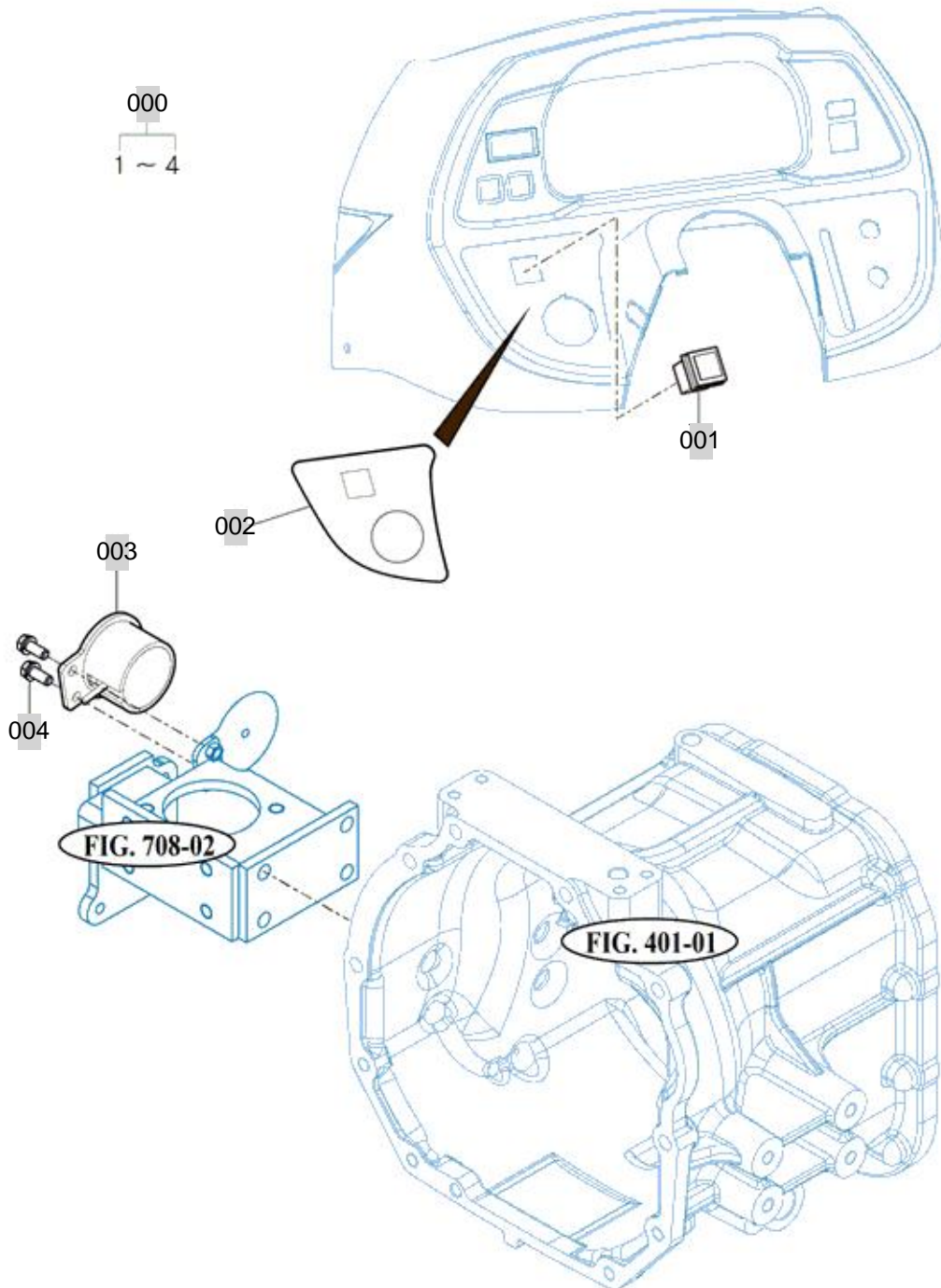
FIG 417

T394NH

CRUISE CONTROL KIT(OPTION)

년/월  
Year/Month

2020.07



NOTE



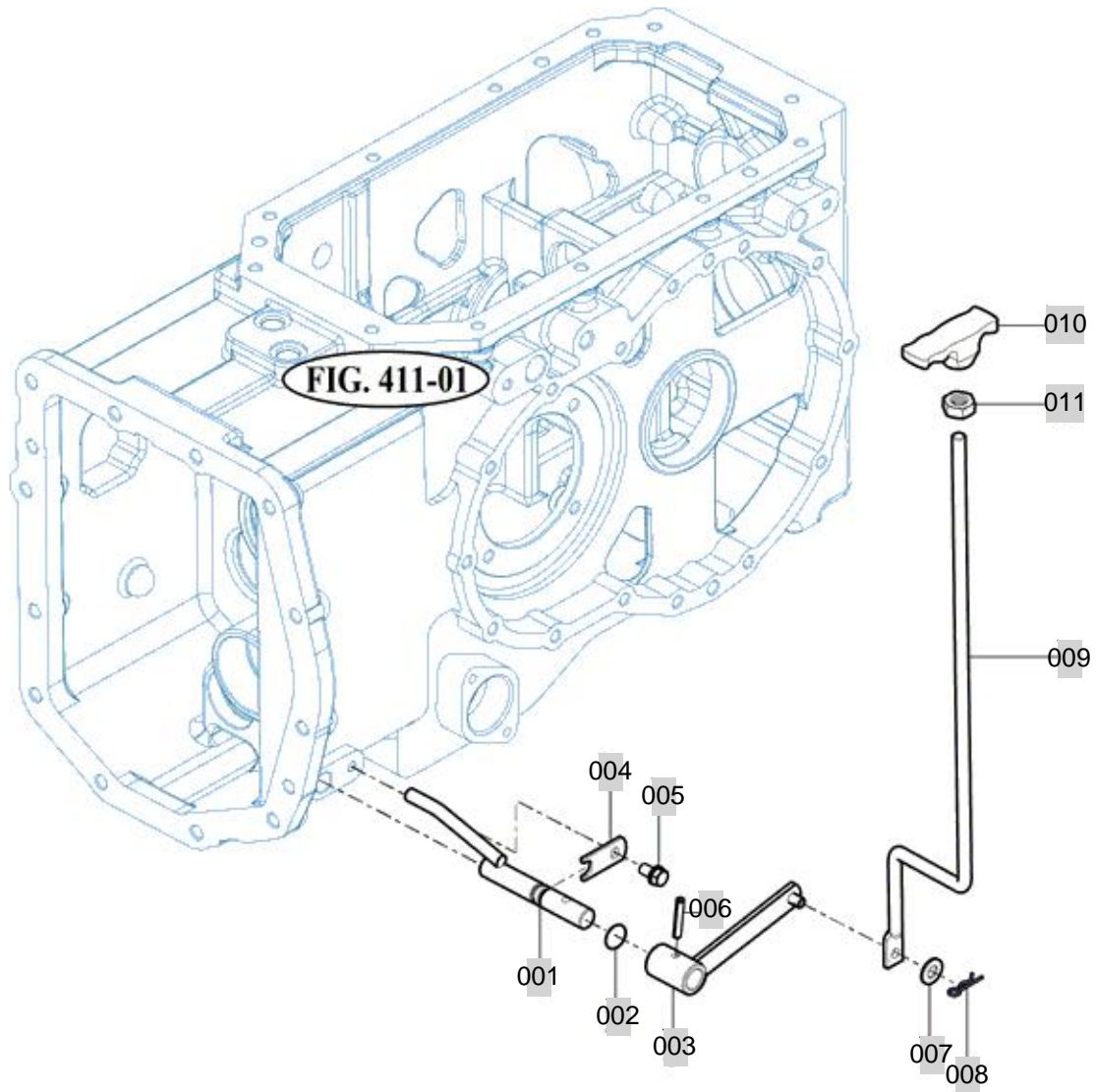
FIG 418

T394NH

4WD CHANGE LEVER

년/월  
Year/Month

2020.07



2538NH-K-418

NOTE



## 5. FRONT AXLE PART NO. T394NH-C5

FIG 501 FRONT AXLE BRACKET	110
FIG 502 FRONT DIFFERENTIAL GEARS	112
FIG 503 FRONT AXLE HOUSING	114
FIG 504 FRONT GEAR CASE (1)	116
FIG 505 FRONT GEAR CASE (2)	118

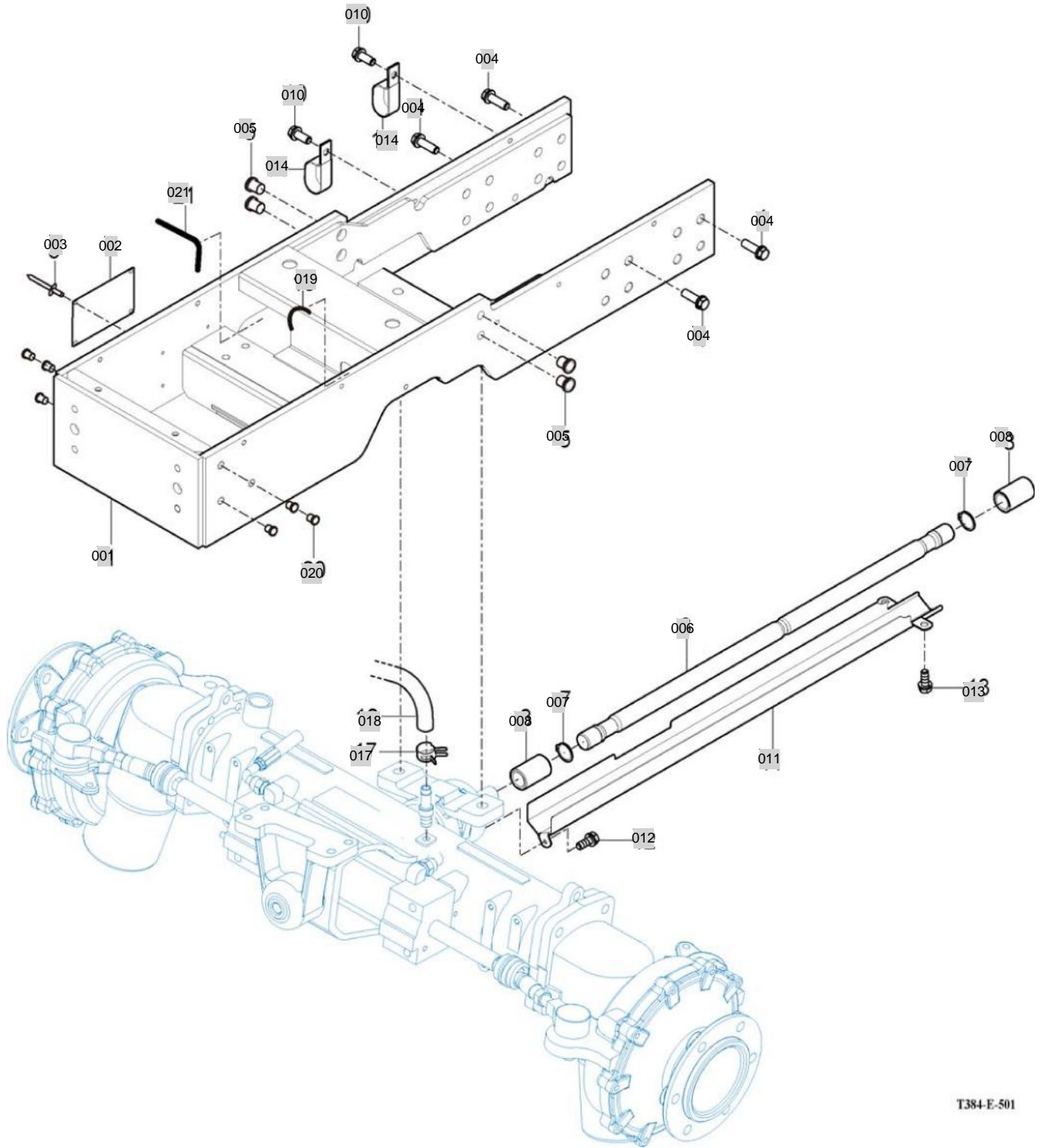
FIG 501

FRONT AXLE BRACKET

년/월  
Year/Month

2020.07

T394NH



T384-E-501

NOTE









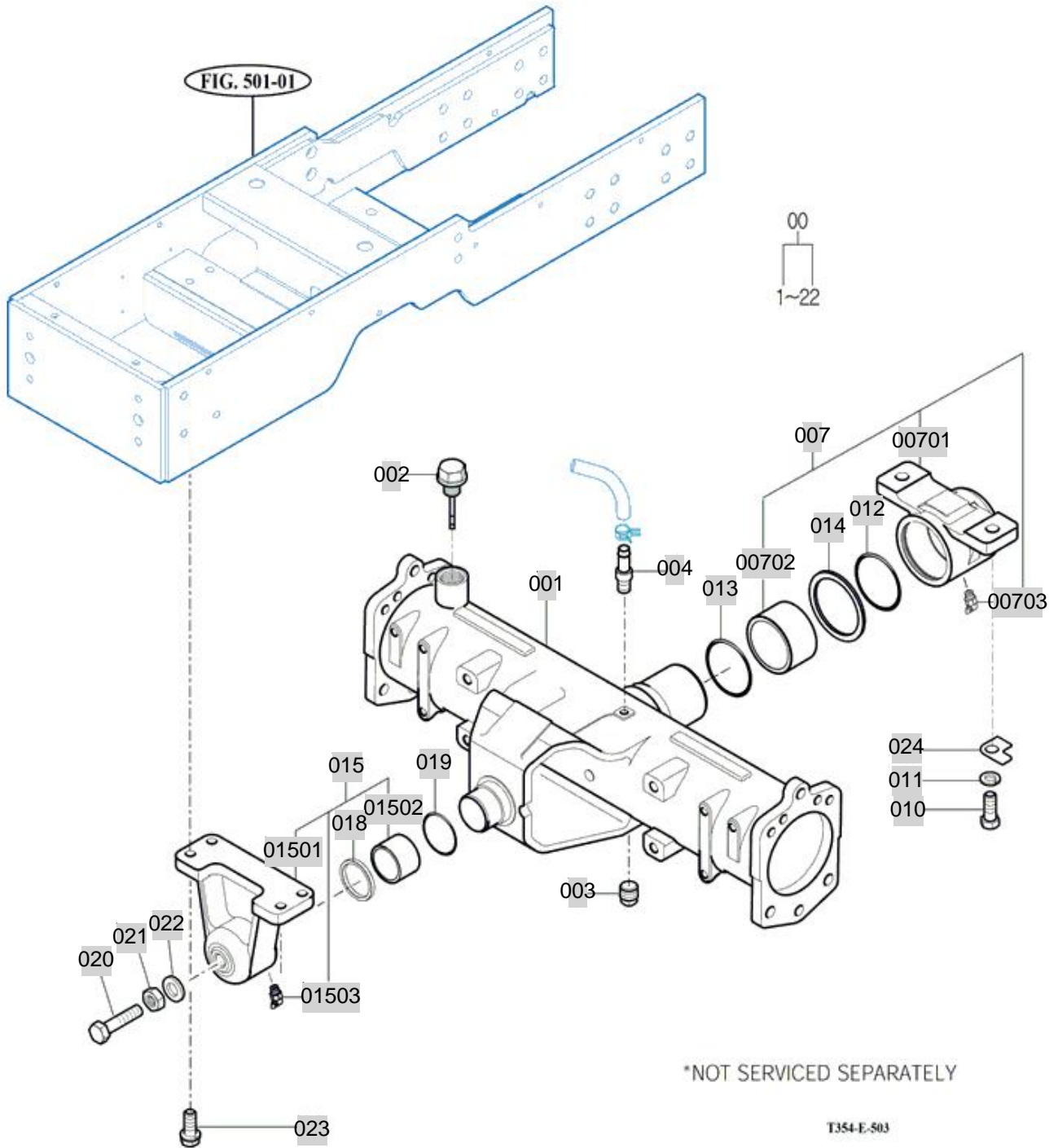
FIG 503

FRONT AXLE HOUSING

년/월  
Year/Month

T394NH

2020.07



NOTE



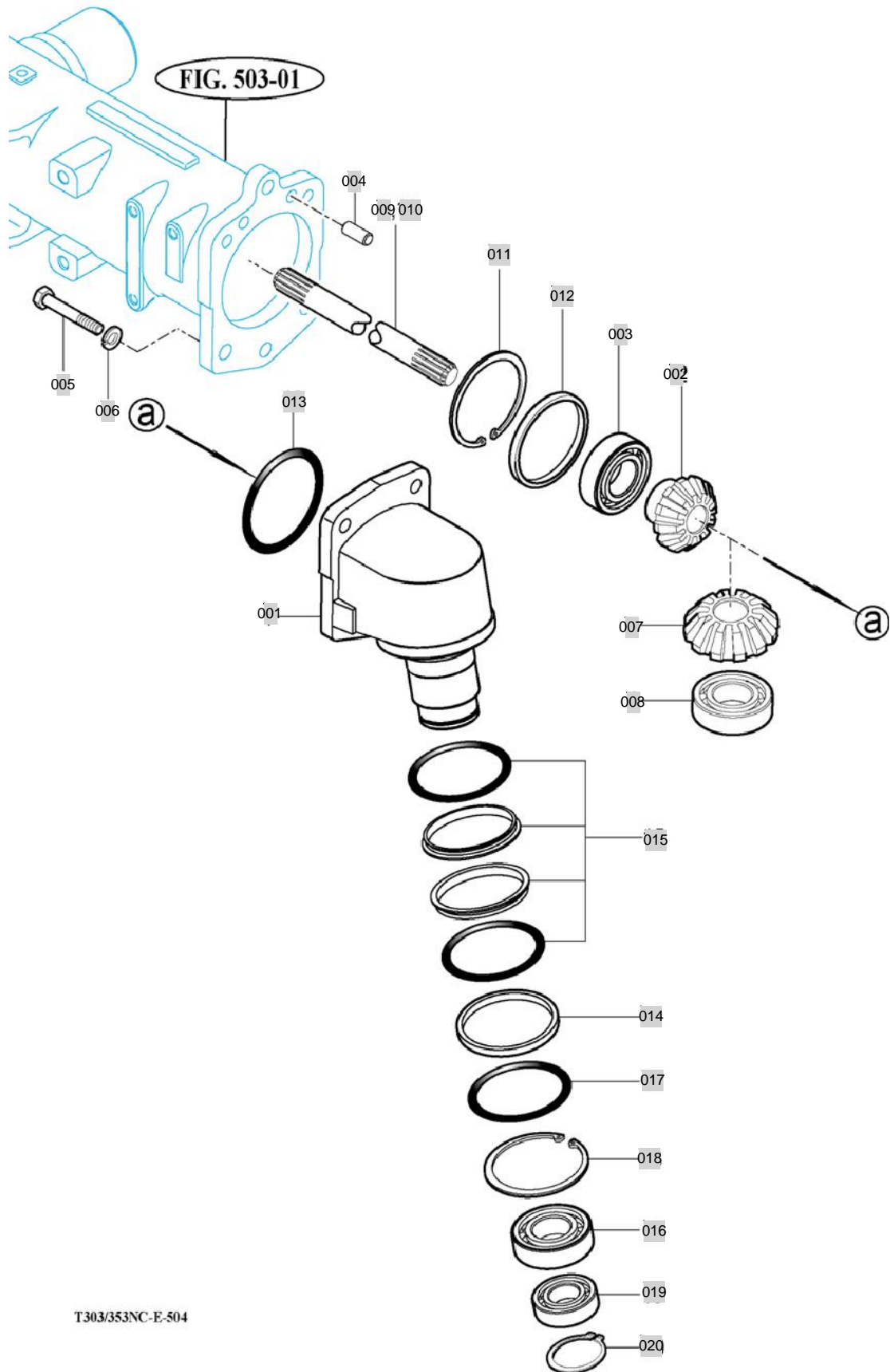
FIG 504

T394NH

FRONT GEAR CASE (1)

년/월  
Year/Month

2020.07



T303/353NC-E-504

NOTE



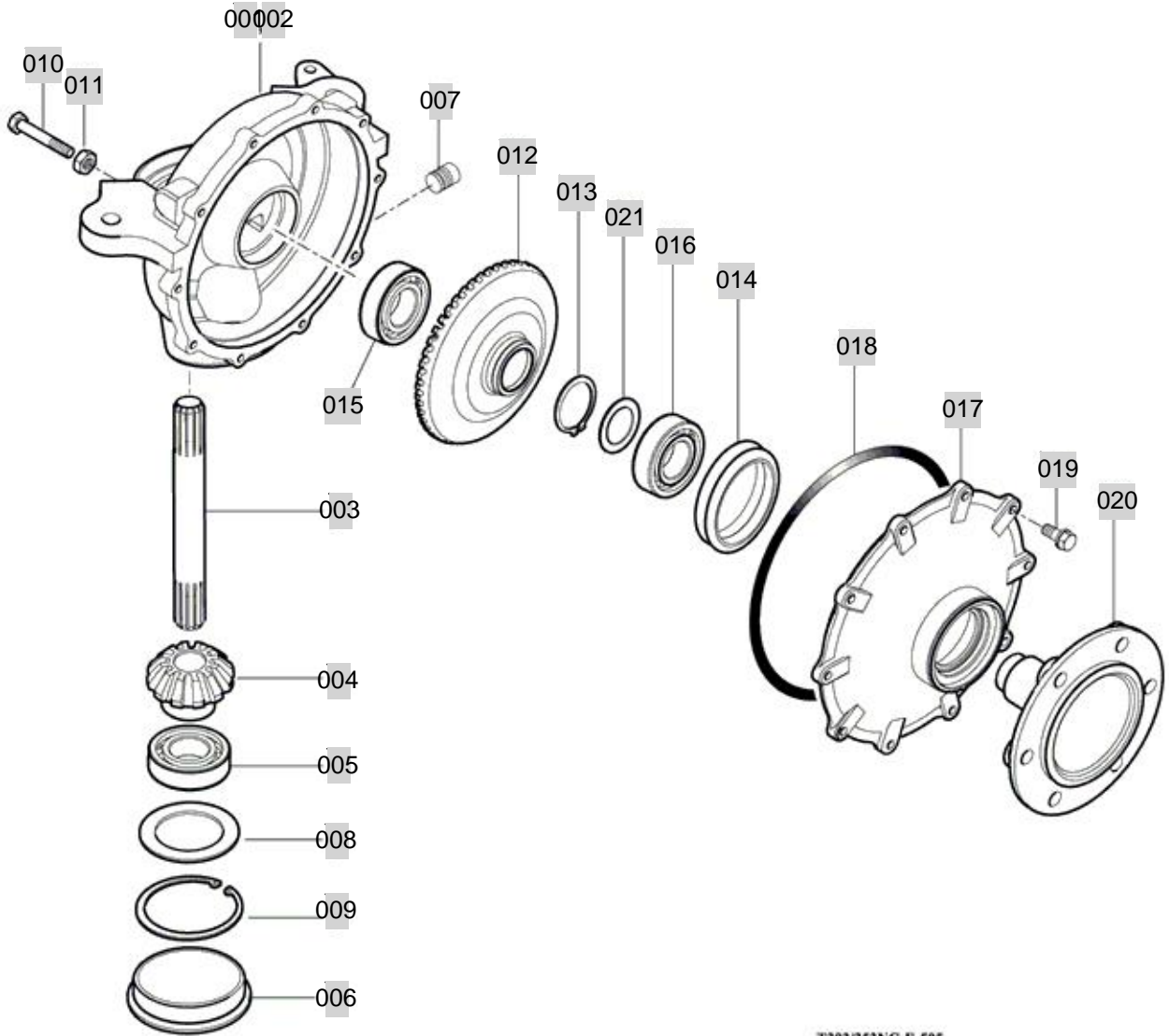
FIG 505

T394NH

FRONT GEAR CASE (2)

년/월  
Year/Month

2020.07



T303/353NC-E-505

NOTE



## 6. HYDRAULICS & 3-POINT LINK PART NO. T394NH-C6

FIG 601 GEAR PUMP	121
FIG 602 CYLINDER CASE	123
FIG 603 LIFT ARM	125
FIG 604 CYLINDER	127
FIG 605 POSITION LINK(1)	129
FIG 606 POSITION LINK(2)	131
FIG 607 CONTROL VALVE	133
FIG 608 POSITION LEVER	135
FIG 609 HYDRAULIC PIPE(1)	137
FIG 610 HYDRAULIC PIPE(2)	139
FIG 611 EXTERIOR HYD.VALVE	141
FIG 611-1 VALVE KIT	143
FIG 612 3-POINT LINK	145
FIG 613 HITCH & COVER	147



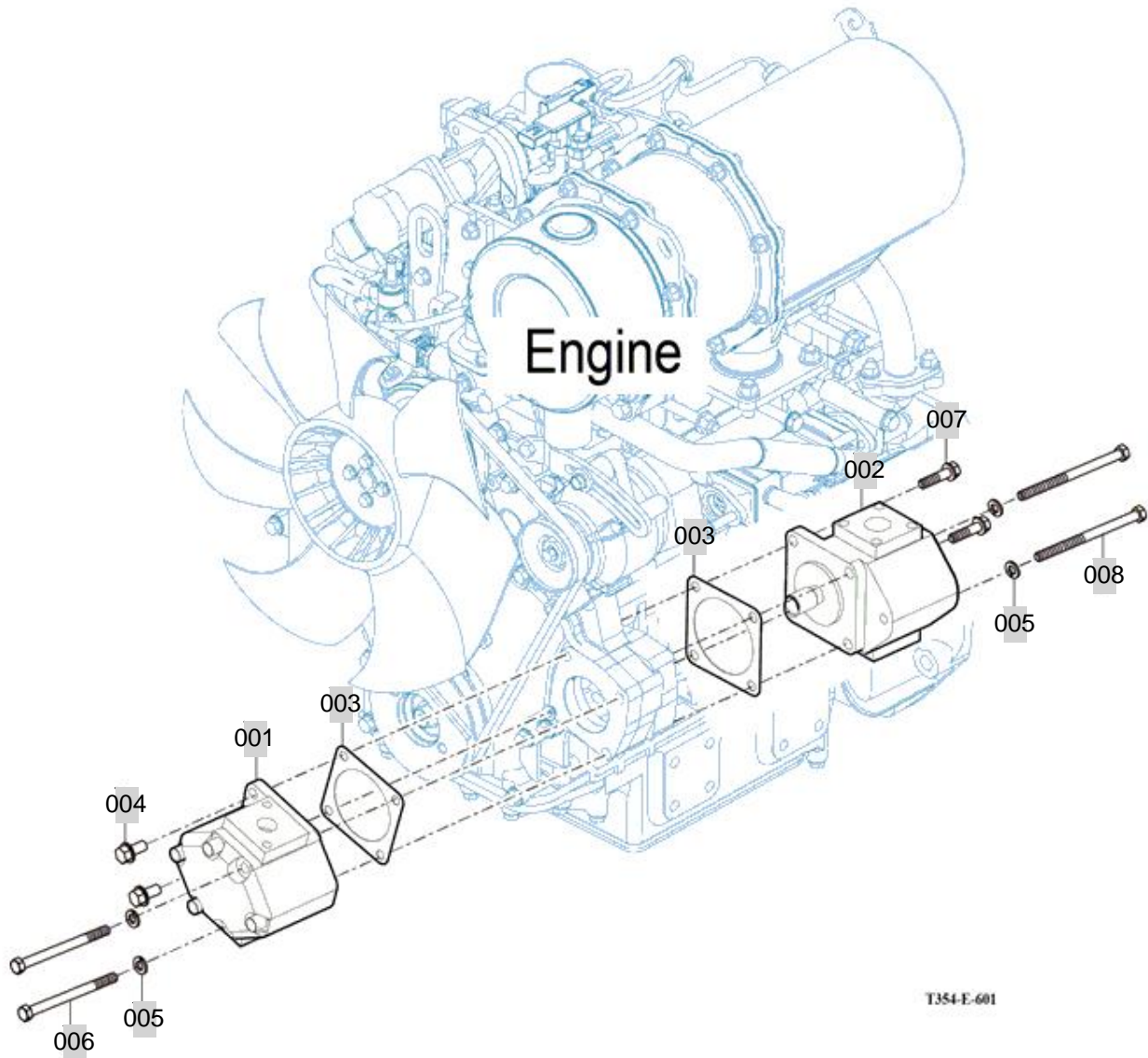
FIG 601

GEAR PUMP

년/월  
Year/Month

2020.07

T394NH



NOTE



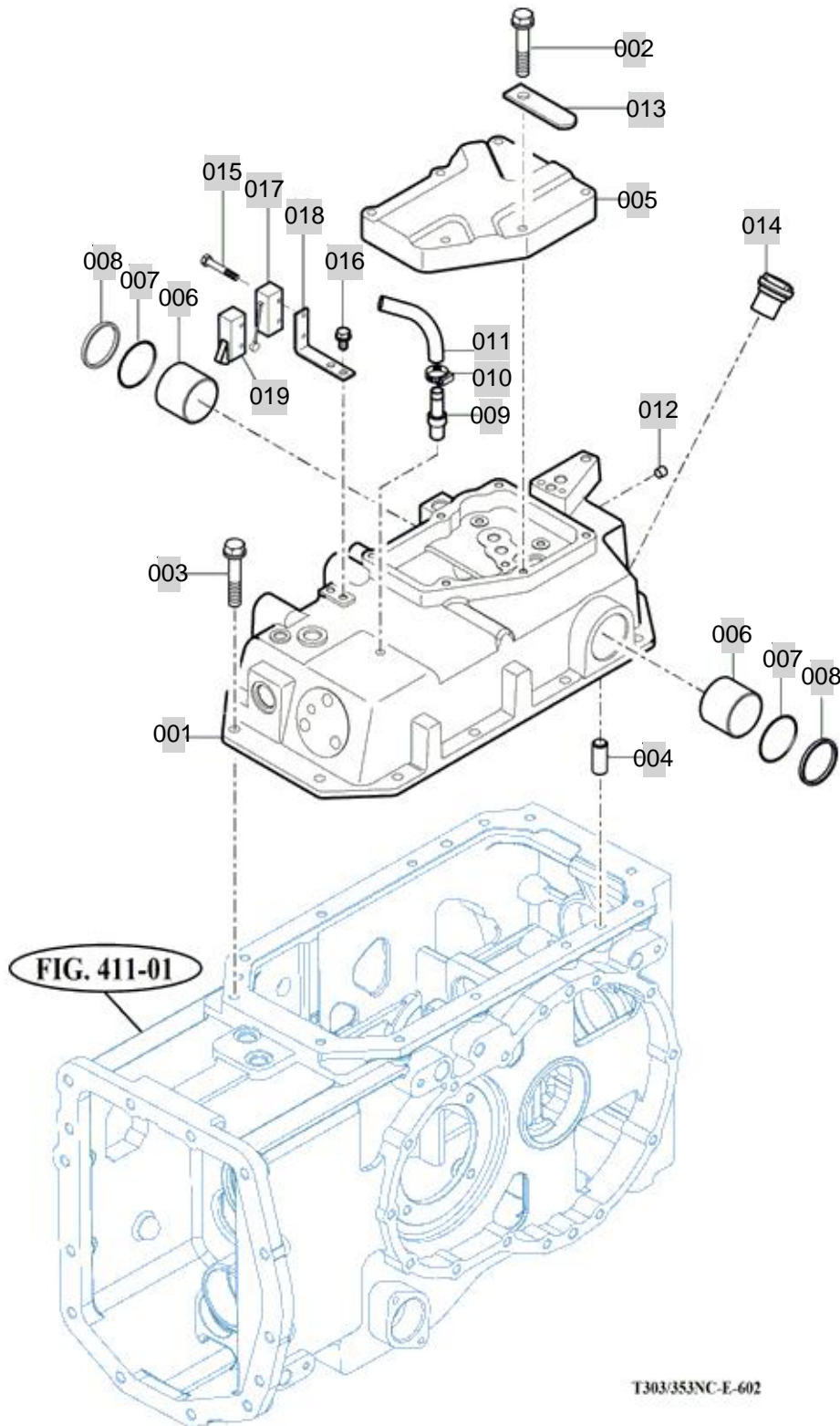
FIG 602

CYLINDER CASE

년/월  
Year/Month

2020.07

T394NH



T303/353NC-E-602

NOTE



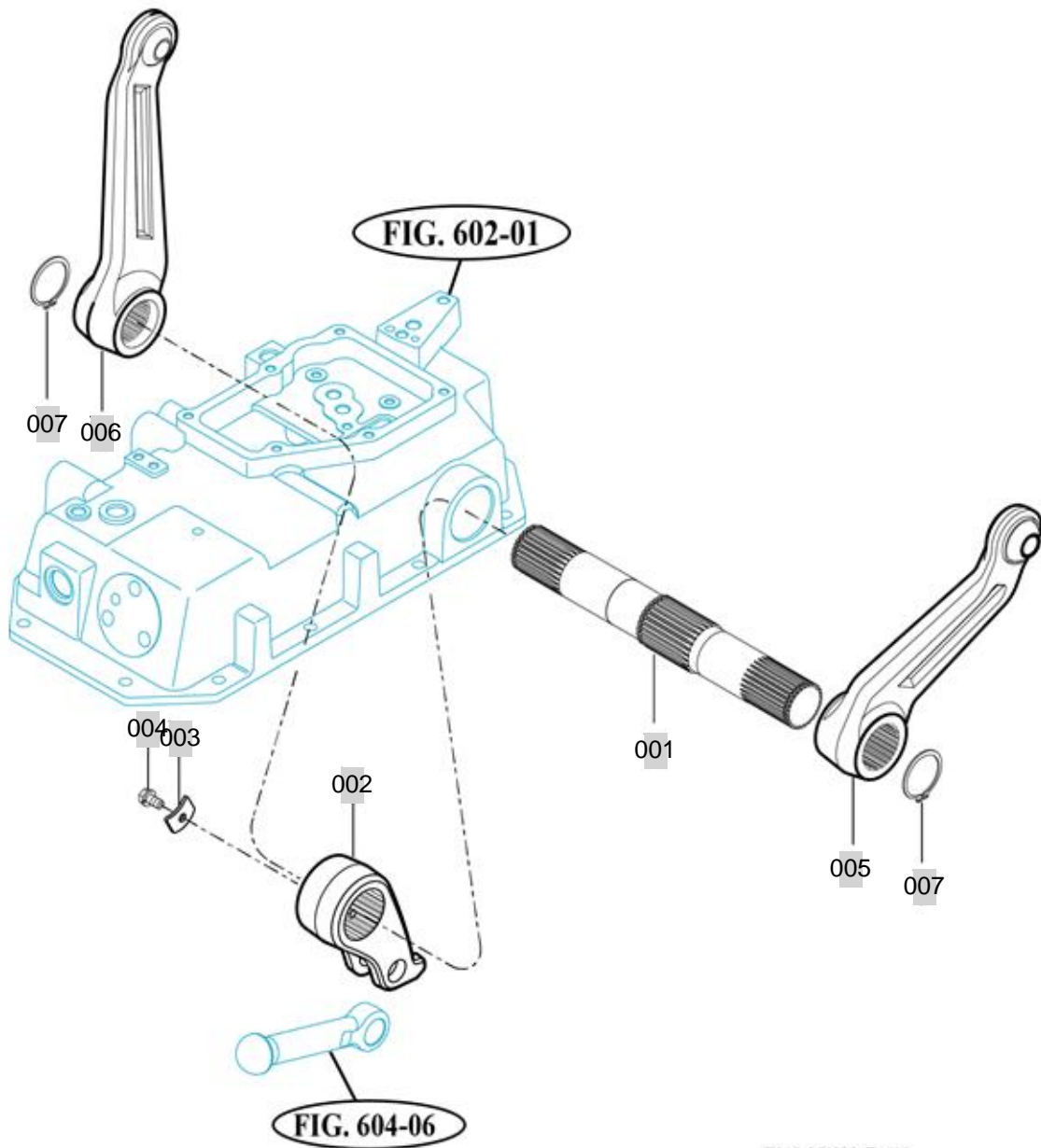
FIG 603

T394NH

LIFT ARM

년/월  
Year/Month

2020.07



T303/353NC-E-603

NOTE



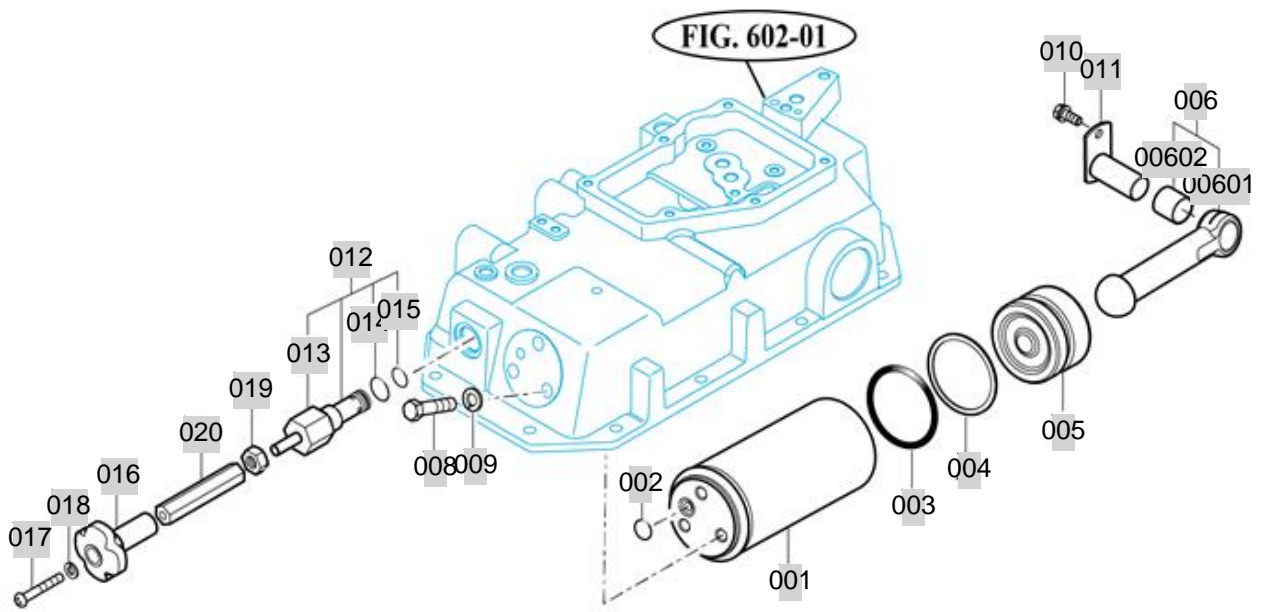
FIG 604

T394NH

CYLINDER

년/월  
Year/Month

2020.07



T303/353NC-E-604

NOTE





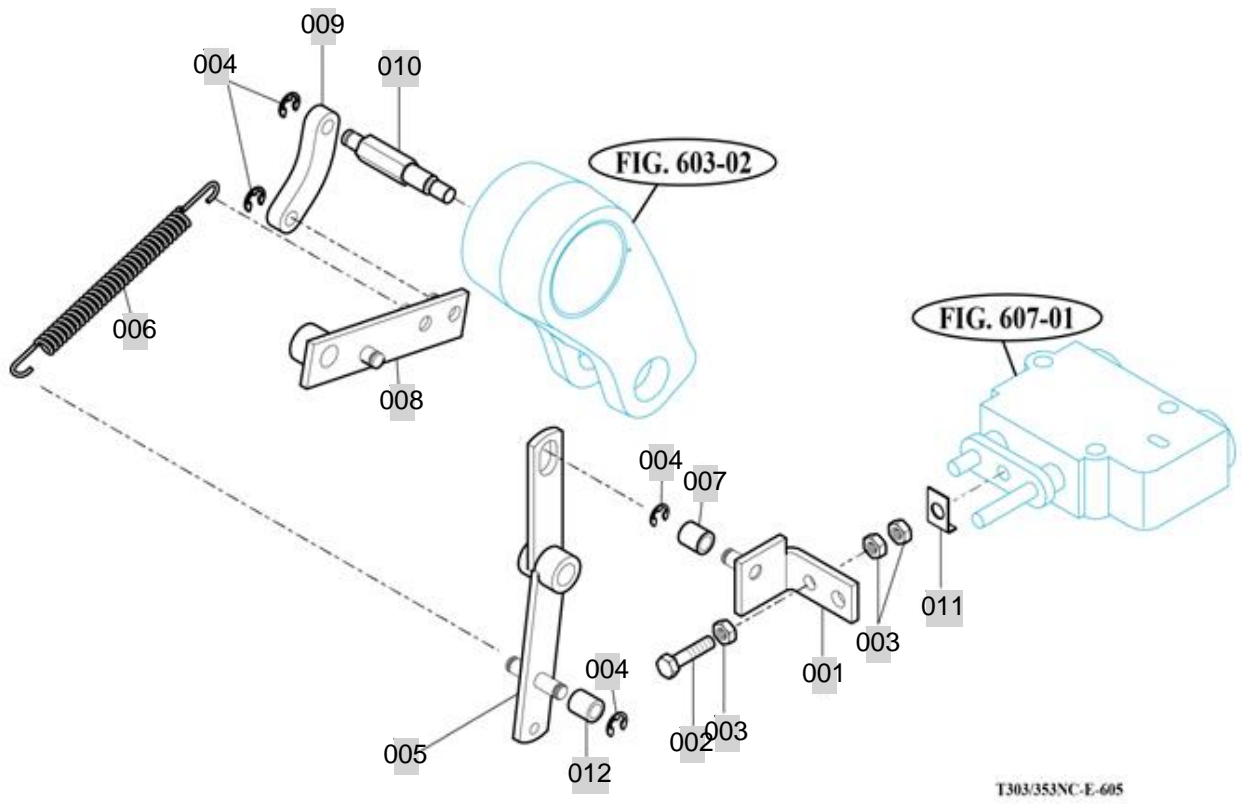
FIG 605

T394NH

POSITION LINK(1)

년/월  
Year/Month

2020.07



T303/353NC-E-605

NOTE



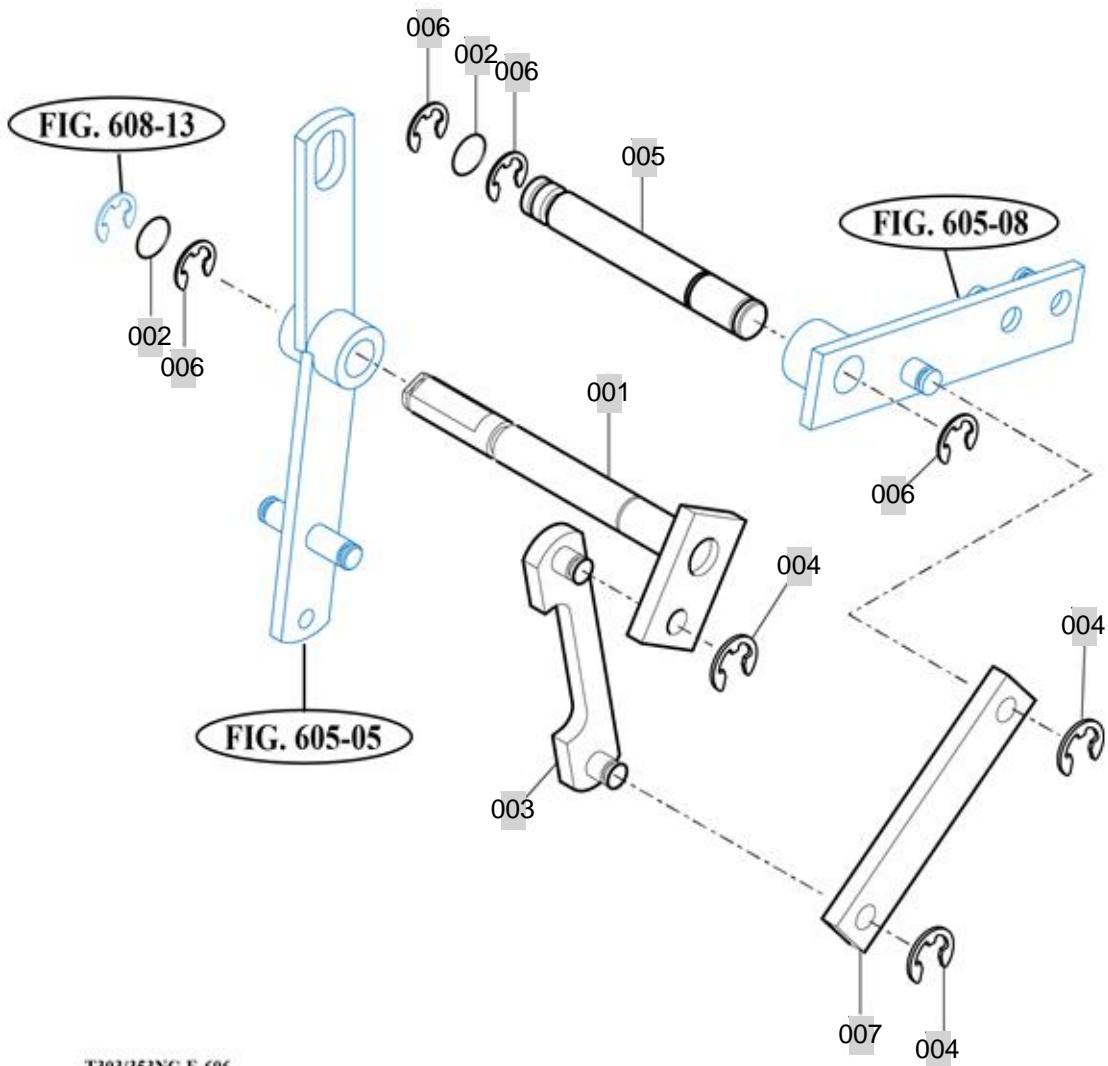
FIG 606

T394NH

POSITION LINK(2)

년/월  
Year/Month

2020.07



T303/353NC-E-606

NOTE



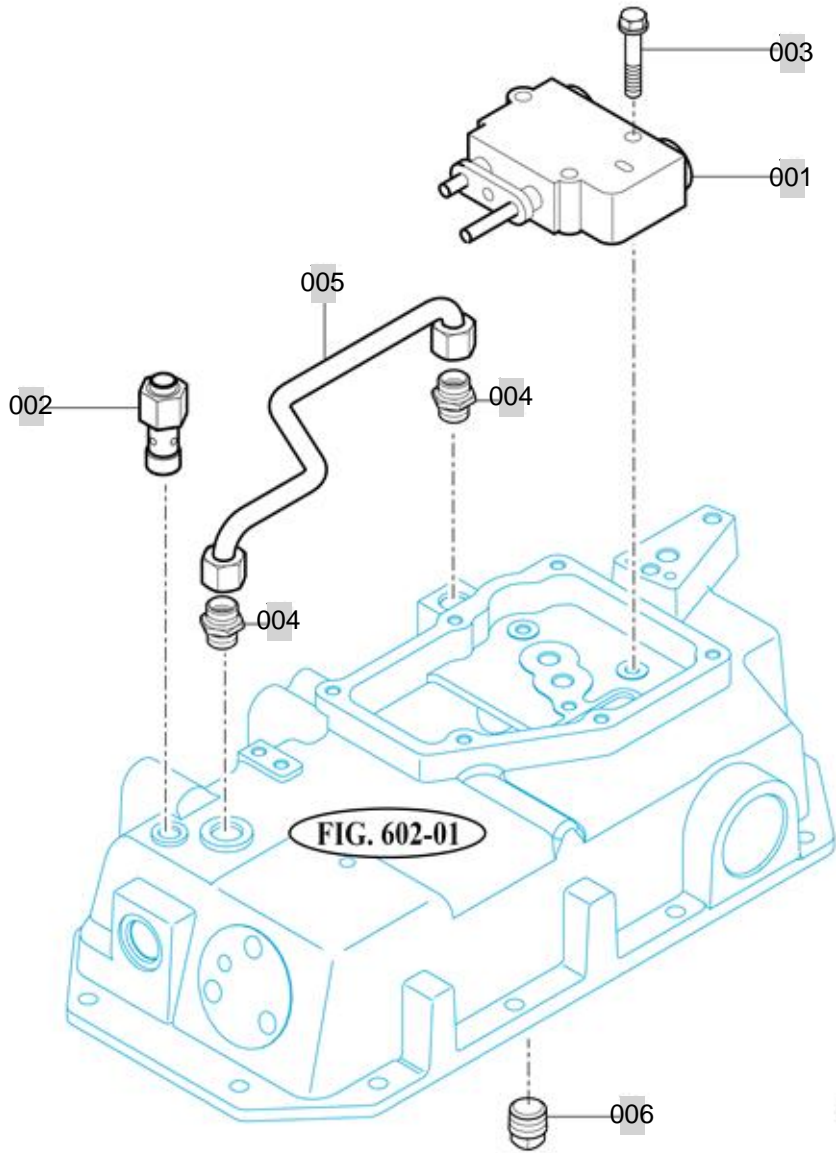
FIG 607

T394NH

CONTROL VALVE

년/월  
Year/Month

2020.07



T303/353NC-E-607

NOTE



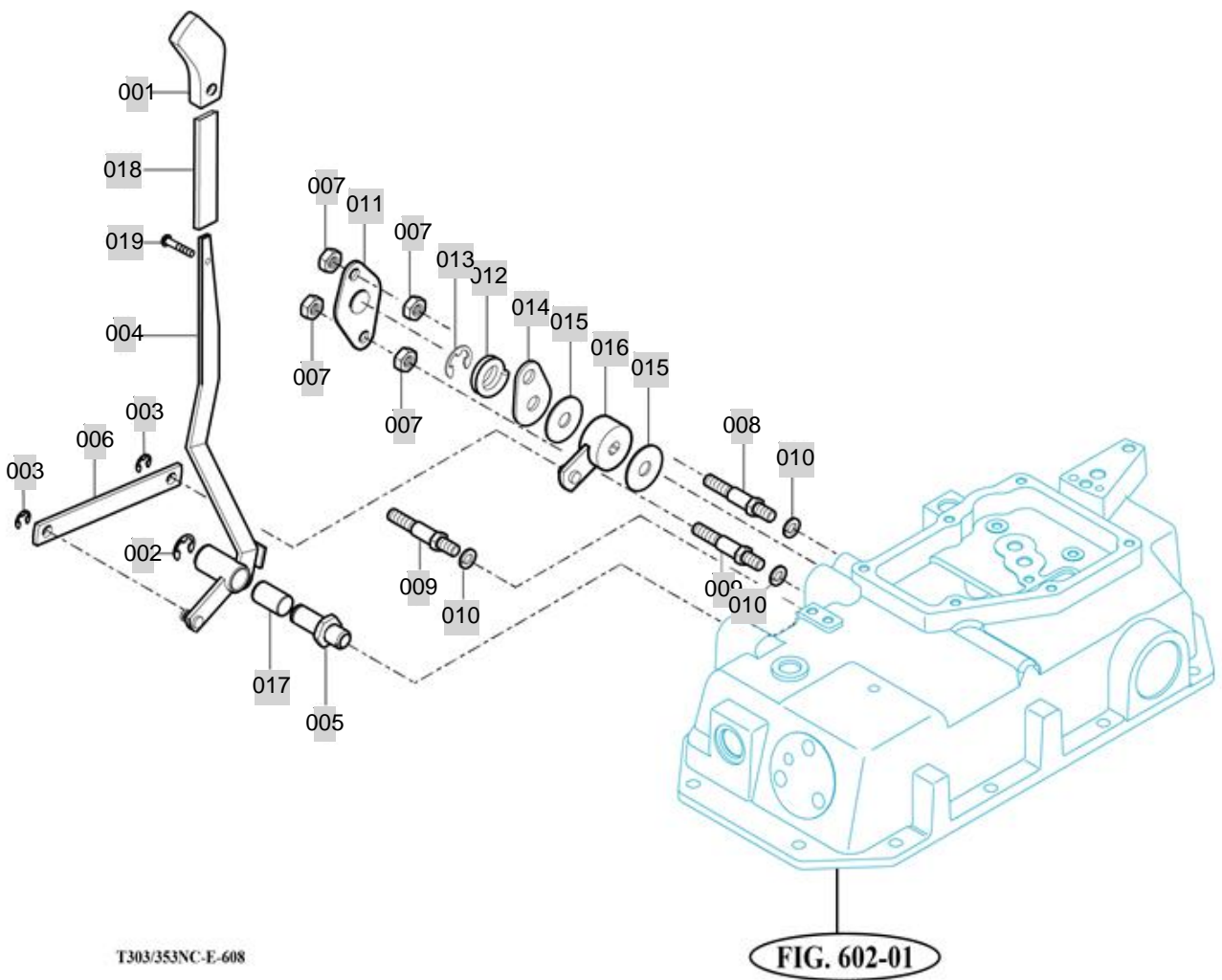
FIG 608

T394NH

POSITION LEVER

년/월  
Year/Month

2020.07



NOTE





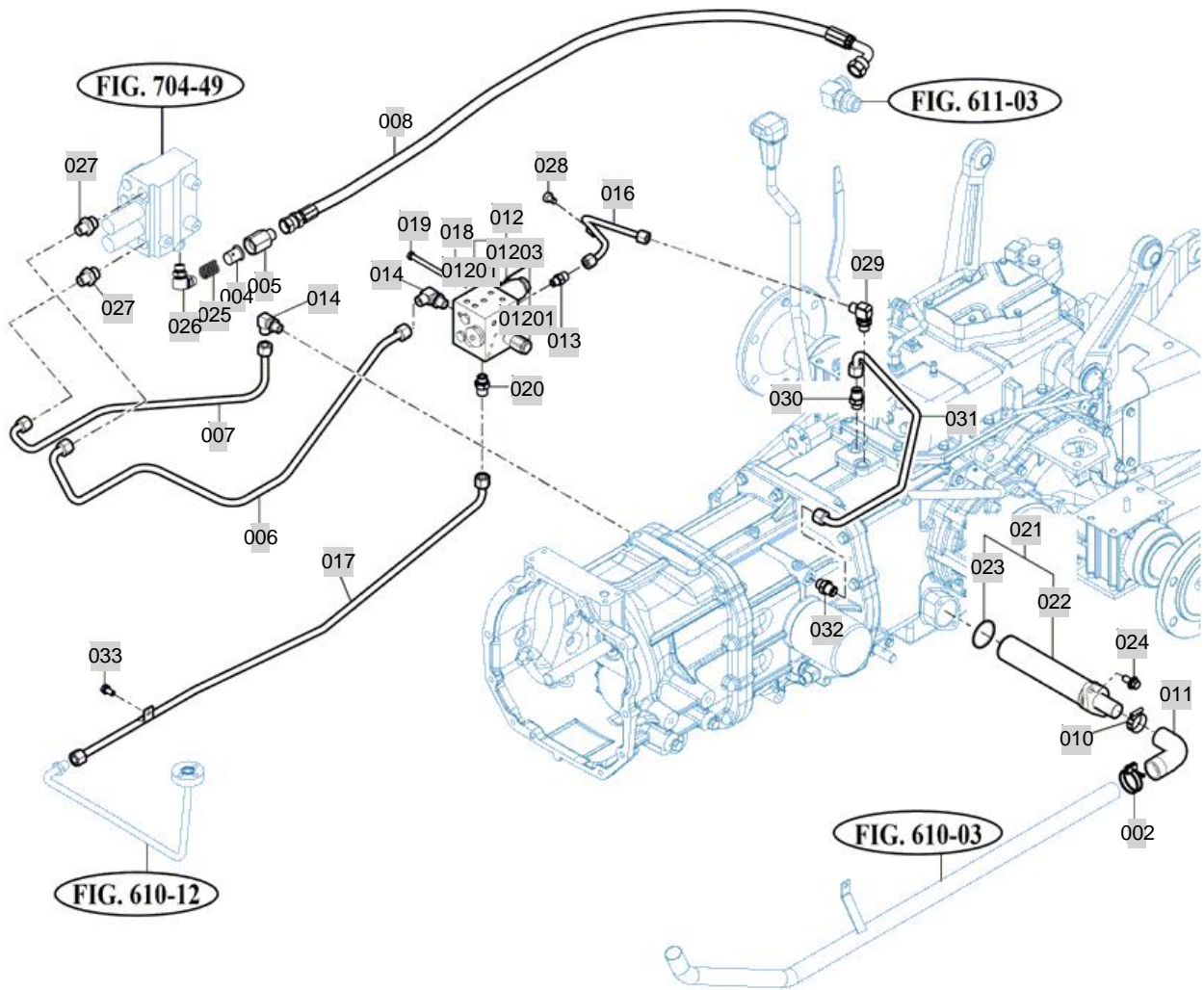
FIG 609

T394NH

HYDRAULIC PIPE(1)

년/월  
Year/Month

2020.07



T384NH-E-605

NOTE



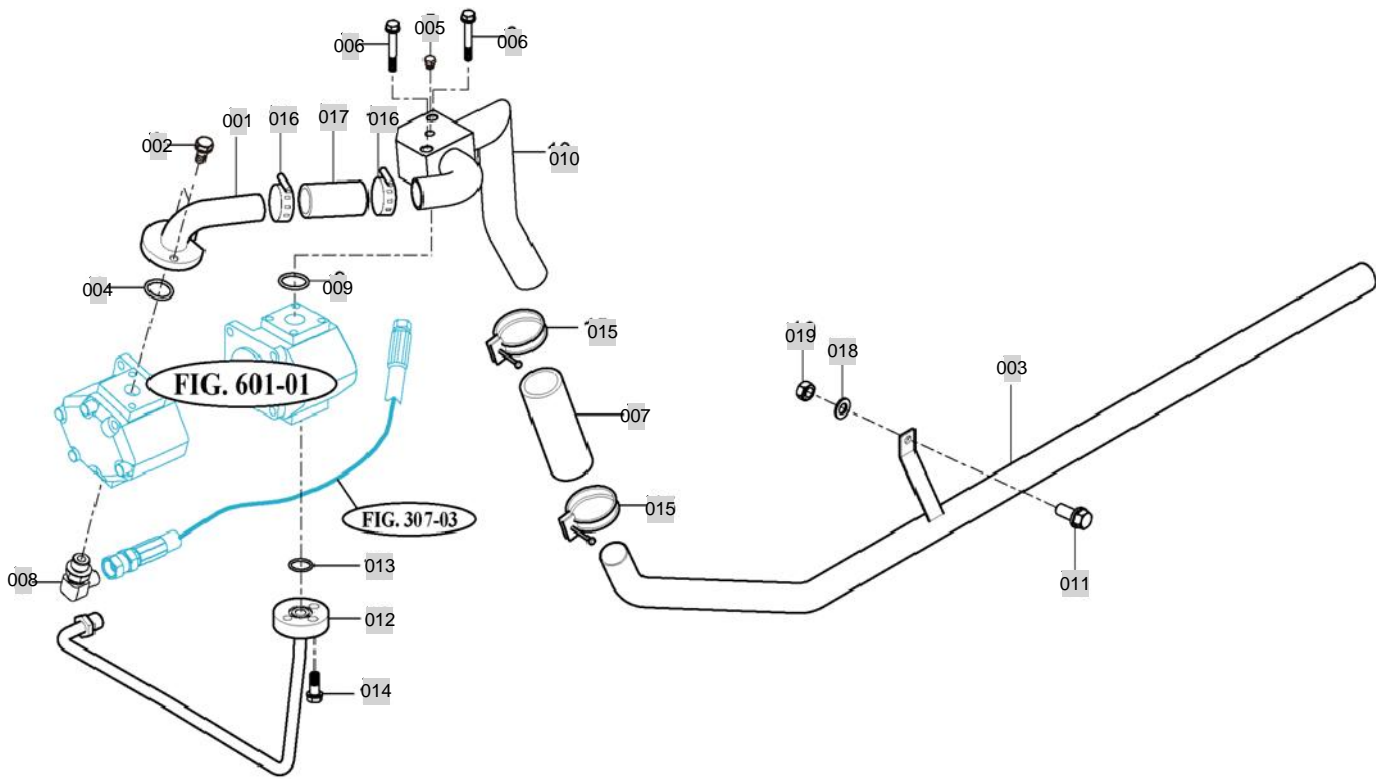
FIG 610

T394NH

HYDRAULIC PIPE(2)

년/월  
Year/Month

2020.07



T394-E-606

NOTE



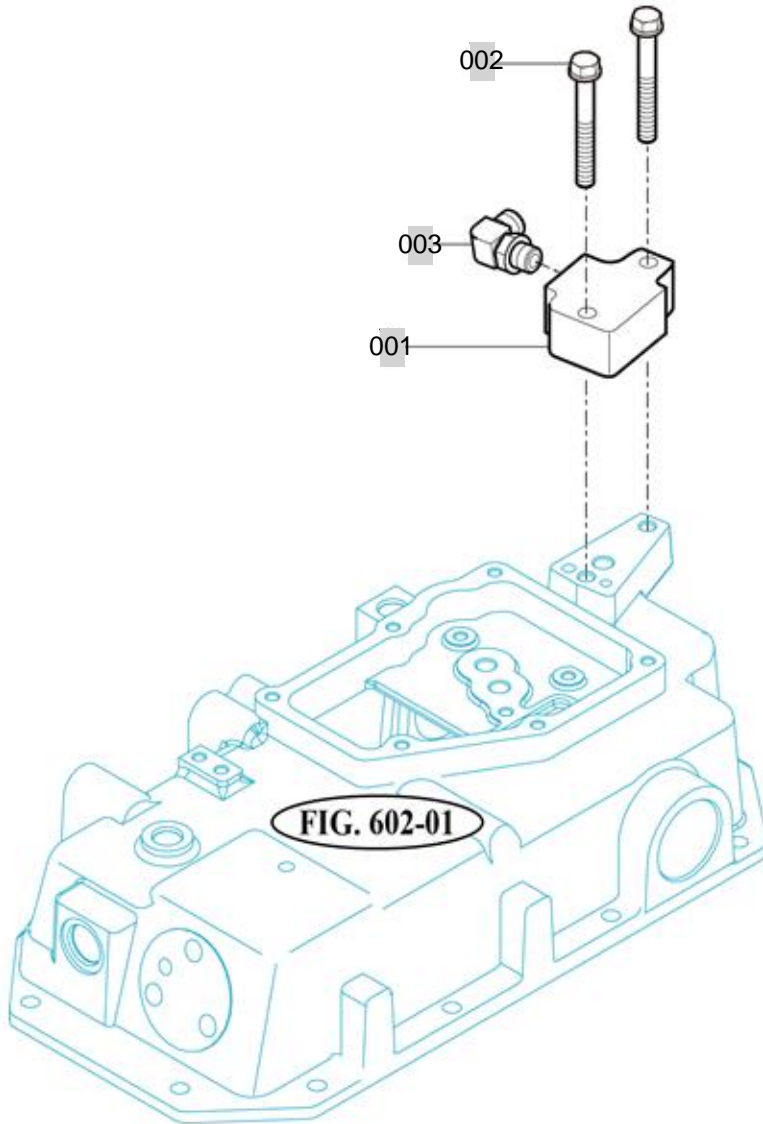
FIG 611

T394NH

EXTERIOR HYD.VALVE

년/월  
Year/Month

2020.07



NOTE



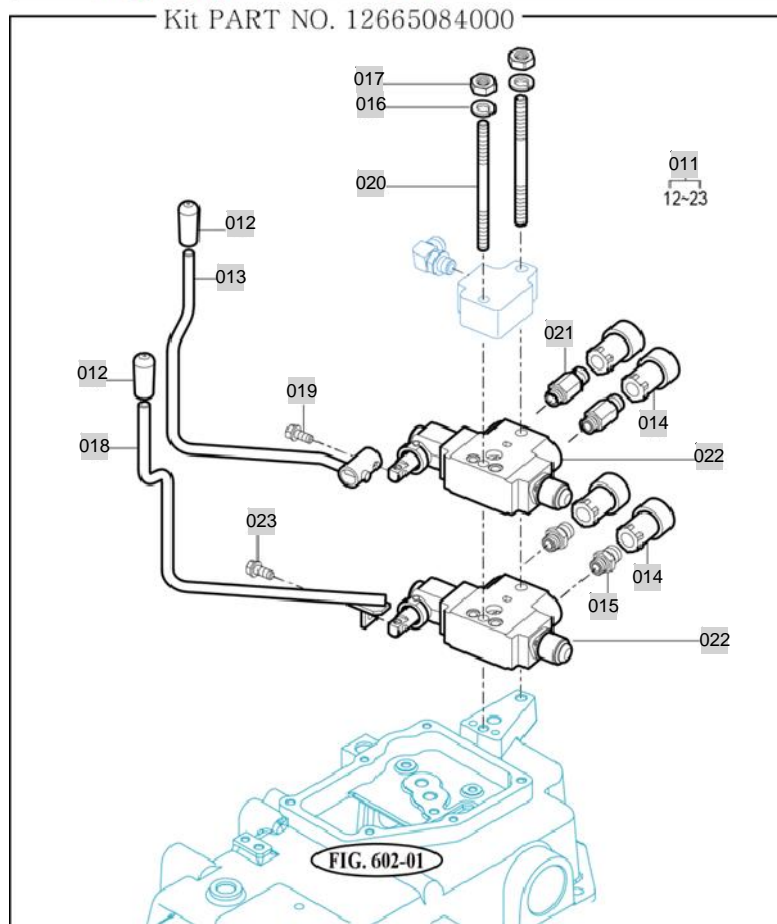
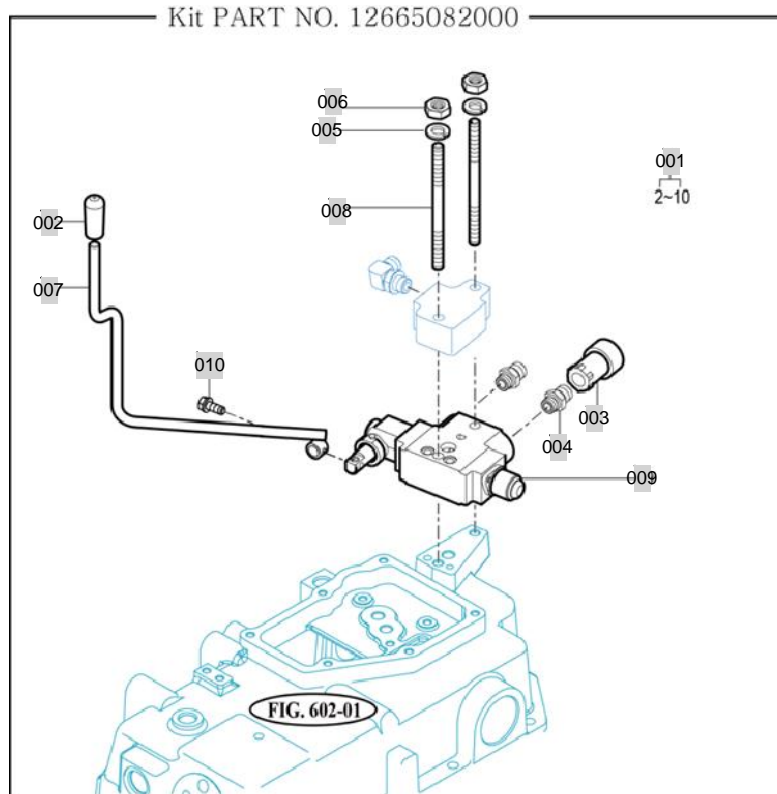
FIG 611-1

T394NH

VALVE KIT

년/월  
Year/Month

2020.07



NOTE





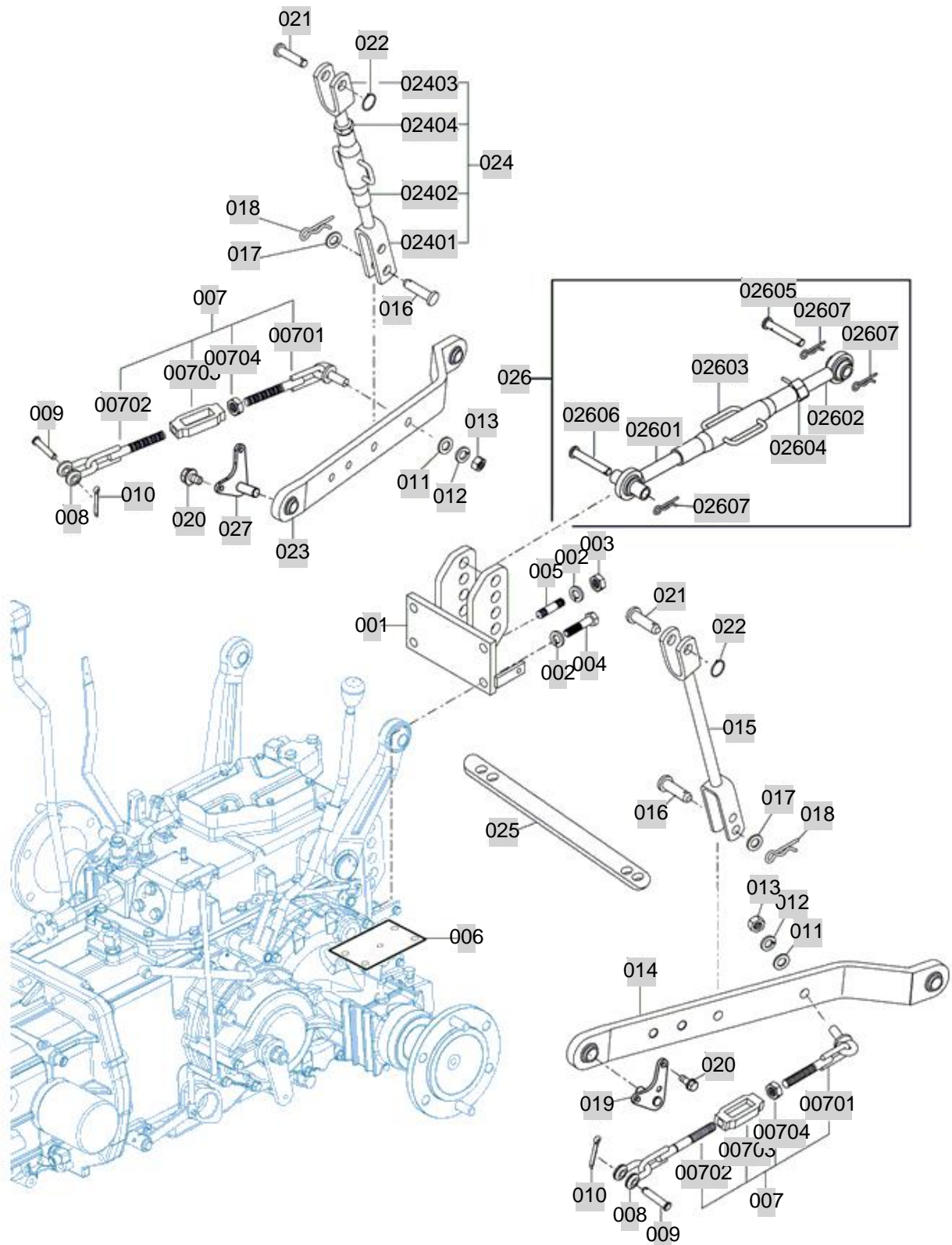
FIG 612

T394NH

3-POINT LINK

년/월  
Year/Month

2020.07



2538NH-K-612

NOTE



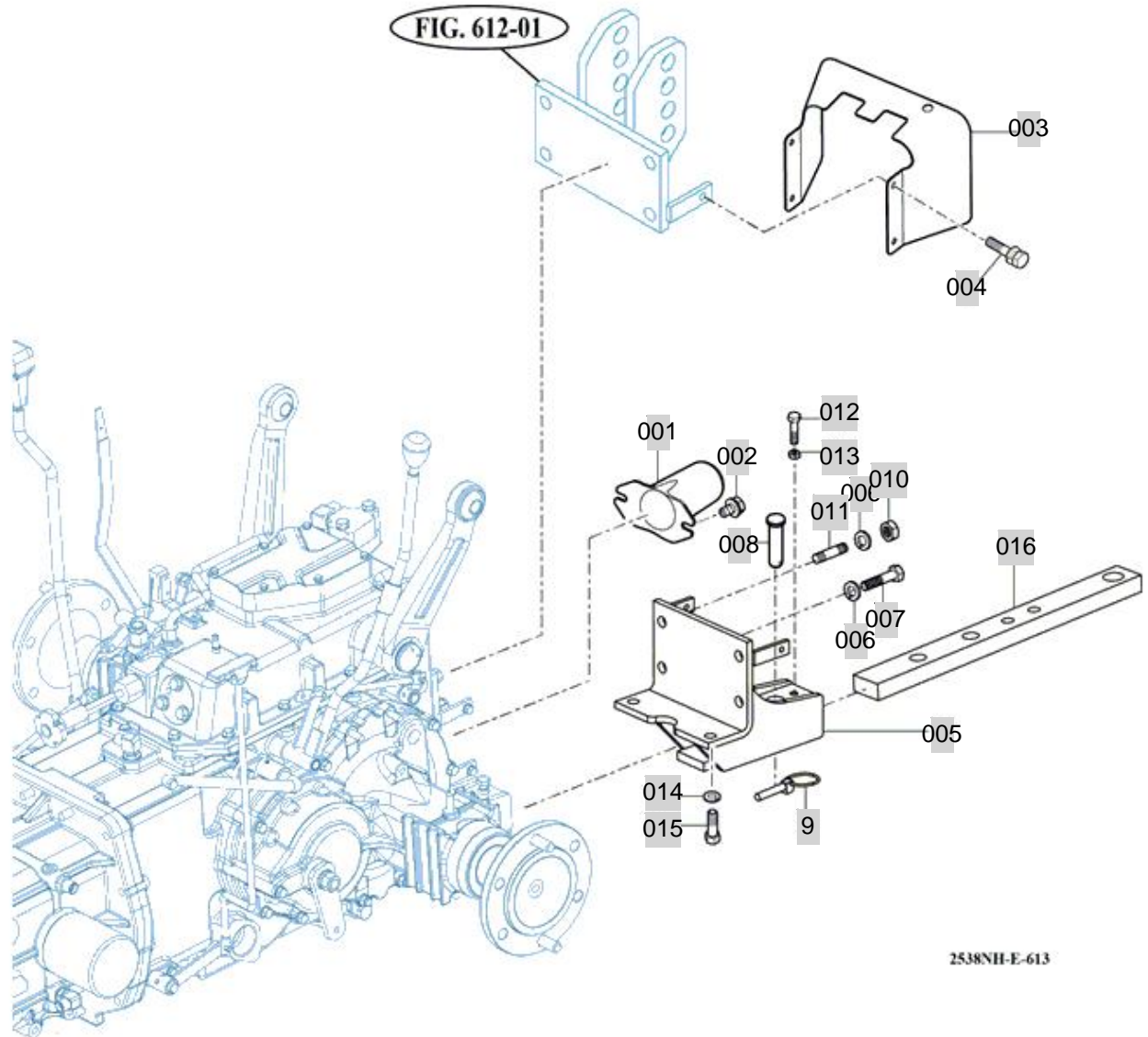
FIG 613

T394NH

HITCH & COVER

년/월  
Year/Month

2020.07



NOTE



## 7. SHEET METAL & R.O.P.S PART NO. T394NH-C7

FIG 701 BONNET (1)	150
FIG 702 BONNET (2)	152
FIG 704 FENDER, REAR FRAME & MUDGUARD	154
FIG 705 ROPS	157
FIG 706 DASHPANEL	159
FIG 707 FLOOR	161
FIG 708 SEAT	163
FIG 709 FLOOR MOUNTING	165

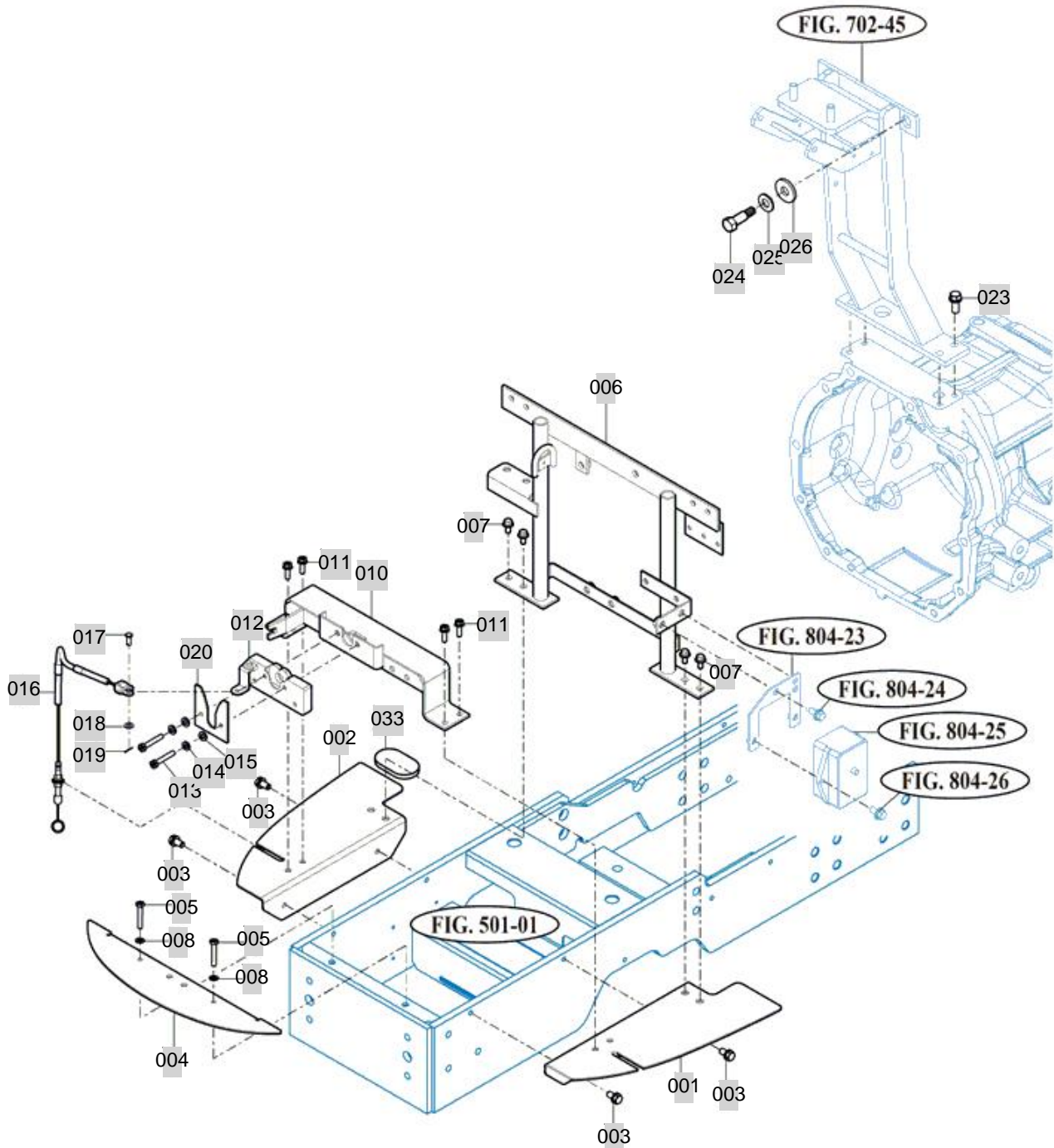
FIG 701

T394NH

BONNET (1)

년/월  
Year/Month

2020.07



NOTE



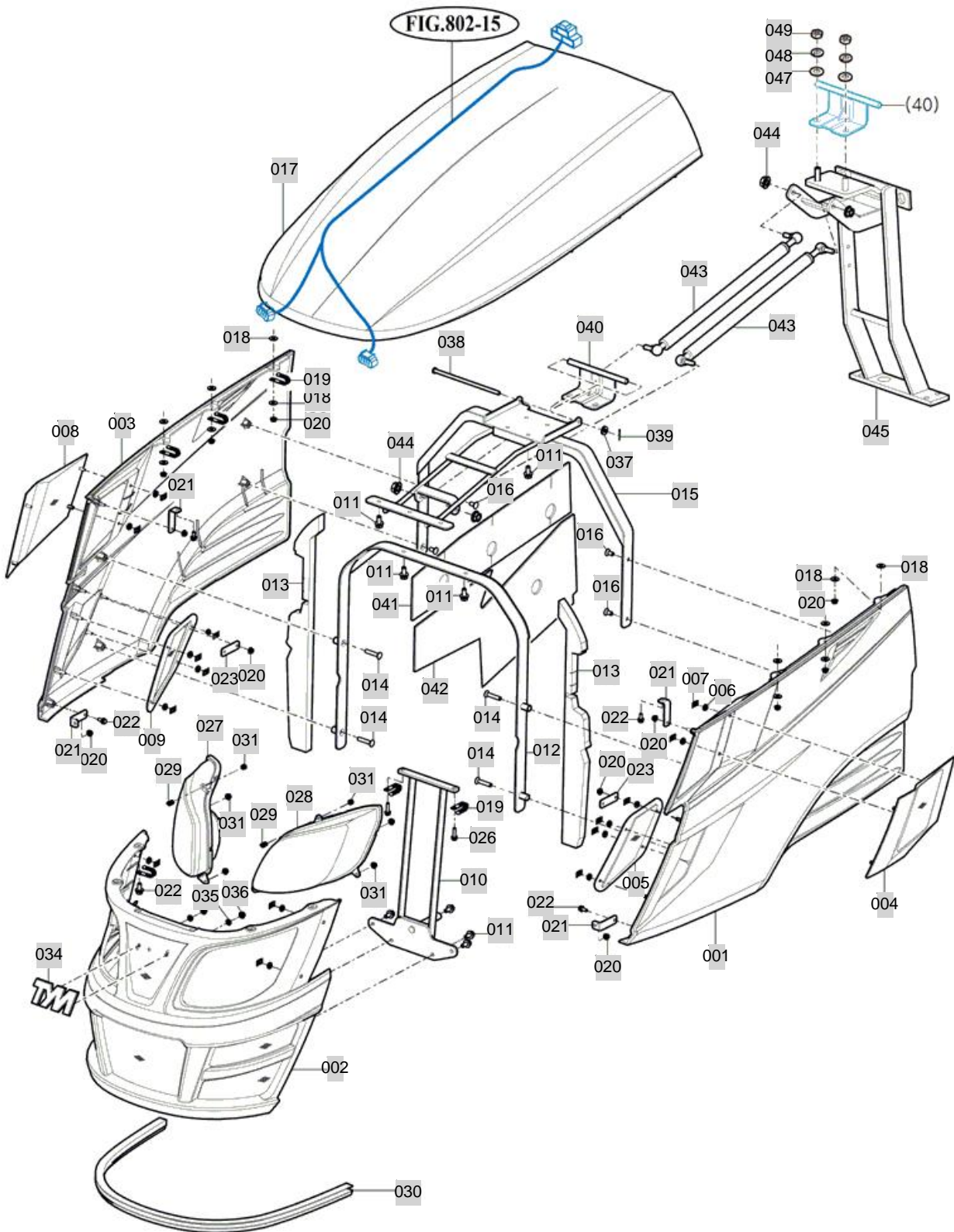
FIG 702

T394NH

BONNET (2)

년/월  
Year/Month

2020.07



NOTE



FIG 702		BONNET (2)					년/월 Year/Month		
							2020.07		
T394NH		KEY NO	PART NO	DESCRIPTION	SPEC	QTY	REPAIR	EFFECTIVE DATE	REMARKS
702	001	17406203300SR	COVER COMP , SIDE/LH			1			
702	002	17406203200GB	GRILLE COMP			1			
702	003	17406203400SR	COVER COMP , SIDE/RH			1			
702	004	17406203500GB	NET , UPR/LH			1			
702	005	17406203600GB	NET , LOW/LH			1			
702	006	14446010150	WASHER , NET			16		20060701	
702	007	V3501600060	NUT, PUSH-ON SPRING	M6		16			
702	008	17406203700GB	NET , UPR/RH			1			
702	009	17406203800GB	NET , LOW/RH			1			
702	010	17406202500GB	Pln COMP , HOODLOCK			1			
702	011	V2183608020	BOLT , HEX/SP	M8X20		13		20081201	
702	012	17406202300GB	FRAME COMP , HOOD/FR			1			
702	013	17406202430	INSULATOR , SIDE FR			2			
702	014	V1122608040	SCREW , C/R FLAT	M8X40		4			
702	015	17406202700GB	FRAME COMP , HOOD/RR			1			
702	016	V1122608016	SCREW , C/R FLAT	M8X16		4			
702	017	17406203101SR	HOOD COMP			1			
702	018	35605033020	WASHER , WIRE WITHDRAWAL	T=1.6		12		20100616	
702	019	37371720090	CLAMP , W/HARNESS			6		20100211	
702	020	V3802600060	NUT , HEX FLANGE	M6		14			
702	021	17406203010GB	PLATE , UPR/SIDE			4			
702	022	V2123606016	BOLT , HEX /SP	M6X16		8		20081128	
702	023	17406203020GB	PLATE , MID/SIDE			2			
702	026	V2123606025	BOLT , HEX /SP	M6X25		2			
702	027	17406525001	HEAD LAMP ASSY , RH			1			
702	028	17406524001	HEAD LAMP ASSY , LH			1			
702	029	36108010080	SPRING , ENTRANCE FOR SEED(HC016)	D=1.6		2		20040401	
702	030	17406203900	INSULATOR , HOOD			1			
702	031	19027210060	NUT , NYLON , M6	M6XP1		6			
702	034	19959010010	EMBLEM	1X1X1		1			
702	035	V4111600060	WASHER , PLAIN	M6		2		20081201	
702	036	V3802600060	NUT , HEX FLANGE	M6		2			
702	037	V4111600080	WASHER , PLAIN	M8		1		20081201	
702	038	13016203900	HOOD PIN			1			
702	039	V5001925020	PIN D2.5x20	2.5X20		1		20081201	
702	040	13016202804GB	PLATE COMP , HOOD HINGE			1			
702	041	17406202420	INSULATOR , SIDE RR/LH			1			
702	042	17406202411	INSULATOR , HOOD			1			
702	043	17406202900	GAS SPRING , HOOD			2			
702	044	V3802600080	NUT , HEX FLANGE	M8		4		20120501	
702	045	17406022100GB	FRAME COMP , HOOD			1			
702	047	V4111600100	WASHER , PLAIN	M10		2		20081201	
702	048	V4011600100	WASHER , SPRING	M10		2		20081001	
702	049	V3043600100	NUT , HEX/2	M10		2		20030401	
NOTE									

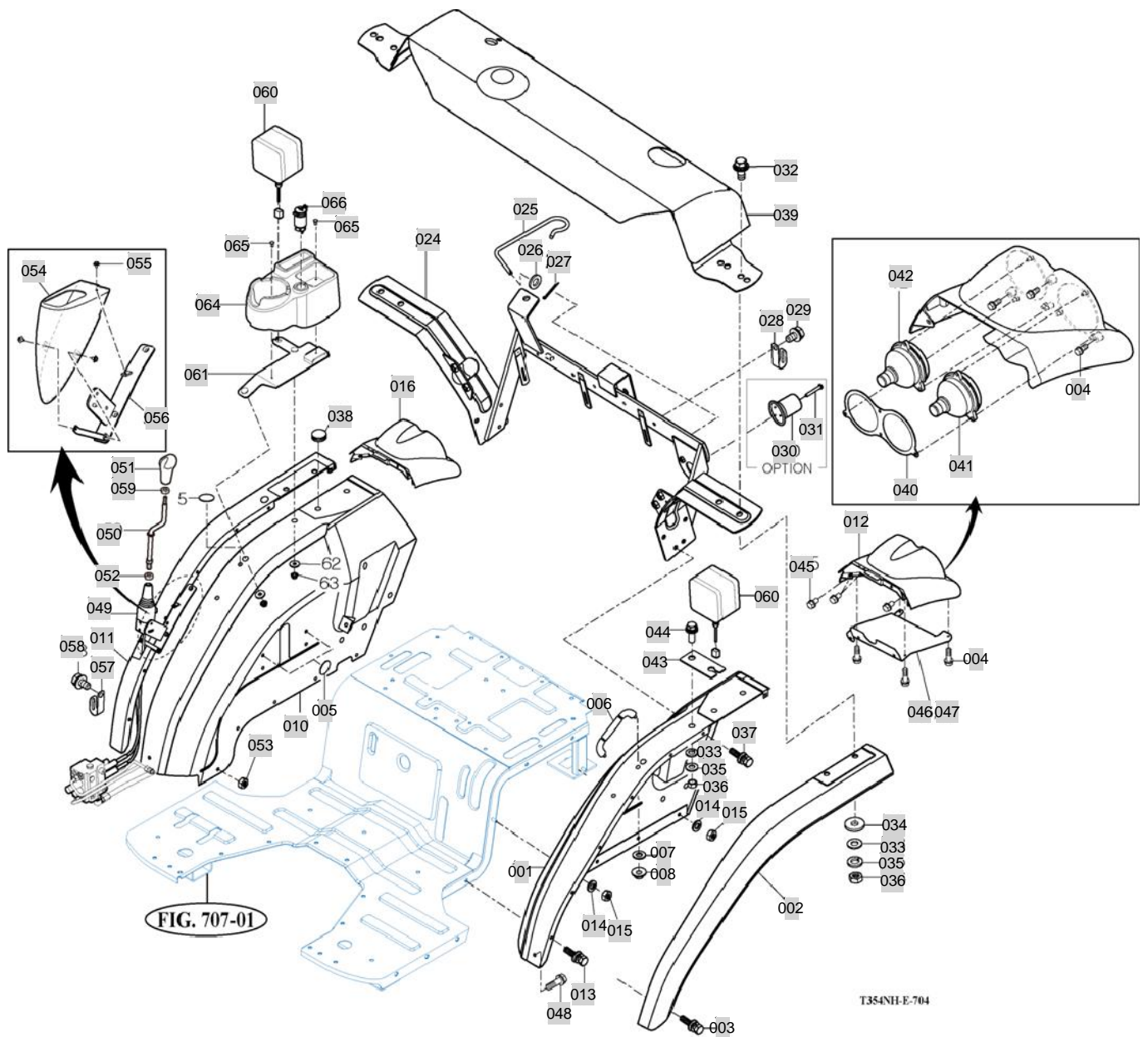
FIG 704

FENDER, REAR FRAME & MUDGUARD

년/월  
Year/Month

2020.07

T394NH



NOTE

FIG 704		FENDER, REAR FRAME & MUDGUARD					년/월 Year/Month		
							2020.07		
T394NH		KEY NO	PART NO	DESCRIPTION	SPEC	QTY	REPAIR	EFFECTIVE DATE	REMARKS
704	001	14726063502SR	FENDER COMP , LH	1X1X1	1				
704	002	12656060040SR	FENDER , LH		1				
704	003	V2193606016	BOLT , HEX/SPL	M6X16	12			20040401	
704	004	V2123606012	BOLT , HEX /SP	M6X12	14			20040401	
704	005	16606070031	CAP , 9		6				
704	006	14726071100	GRIP COMP	1X1X1	1				
704	007	35602010150	WASHER , BIND SHAFT	T=2.3	2			20100402	
704	008	V4011600080	WASHER , SPRING	M8	2			20081201	
704	009	V3042600080	NUT , HEX/2	M8	2			20081201	
704	010	14726063602SR	FENDER COMP , RH	1X1X1	1				
704	011	10526060020SR	FENDER , RH MUD GUIDE		0				
704	012	13016060020	COVER ,LH RR LAMP	1X1X1	1				
704	013	V2183608020	BOLT , HEX/SP	M8X20	8			20081201	
704	014	V4011600080	WASHER , SPRING	M8	4			20081201	
704	015	V3042600080	NUT , HEX/2	M8	4			20081201	
704	016	13016060030	COVER , RH RR LAMP	1X1X1	1				
704	024	14977035400SR	FRAME COMP , RR FUEL TANK	1X1X1	1				
704	025	14885251100	HOOK , TOPLINK	D=5	1			20120105	
704	026	V4111600060	WASHER , PLAIN	M6	1			20081201	
704	027	V5001920015	PIN , SPLIT	2X15	1			20081001	
704	028	14256210040	CLAMP , 9		1			20120105	
704	029	V2123606012	BOLT , HEX /SP	M6X12	1			20040401	
704	030	13267028202	SOCKET ASSY , TRAILER		1				
704	031	V1112605030	SCREW , C/R PAN	M5X30	3			20070809	
704	032	V2013612040	BOLT , HEX	M12X40	4				
704	033	V4111600120	WASHER , PLAIN	M12	5			20050901	
704	034	36217020030	WASHER , PULLEY	T=4.5	4				
704	035	V4011600120	WASHER , SPRING	M12	5				
704	036	V3043600120	NUT , HEX/2	M12	5			20040901	
704	037	V2183608020	BOLT , HEX/SP	M8X20	4			20081201	
704	038	14326510210	CAP , RUBBER 20	1X1X1	2			20081201	
704	039	14777036302SR	COVER COMP , TANK (PNT)	1X1X1	1				
704	040	13016061300	FIX PLATE , RR LAMP	T=1.6	1				
704	041	14527023300	LAMP ASSY , RR COMBINATION	1X1X1	1				
704	042	17687023401	LAMP ASSY . STOP	1X1X1	1				
704	043	13016640010GB	PLATE , LAMP	90*40*2.3	1				
704	044	V2173612030	BOLT , HEX/S	M12X30	1				
704	045	V2193606020	BOLT , HEX/SPL	M6X20	2				
704	046	13016062000GB	PLATE COMP , LH RR LAMP COVER	T=1.6	1				
704	047	13016063000GB	PLATE COMP , RH RR LAMP COVER	T=1.6	1				
704	048	V2183608035	BOLT , HEX/SP	M8X35	2				
704	049	13015504005	JOYSTICK ASSY		1				
704	050	12396013900GB	LEVER COMP . JOYSTICK		1				
704	051	19027750021	GRIP COMP , JOYSTICK	1X1X1	1				
704	052	V3302600140	NUT , HEX FINE/1	M14	1				
NOTE									



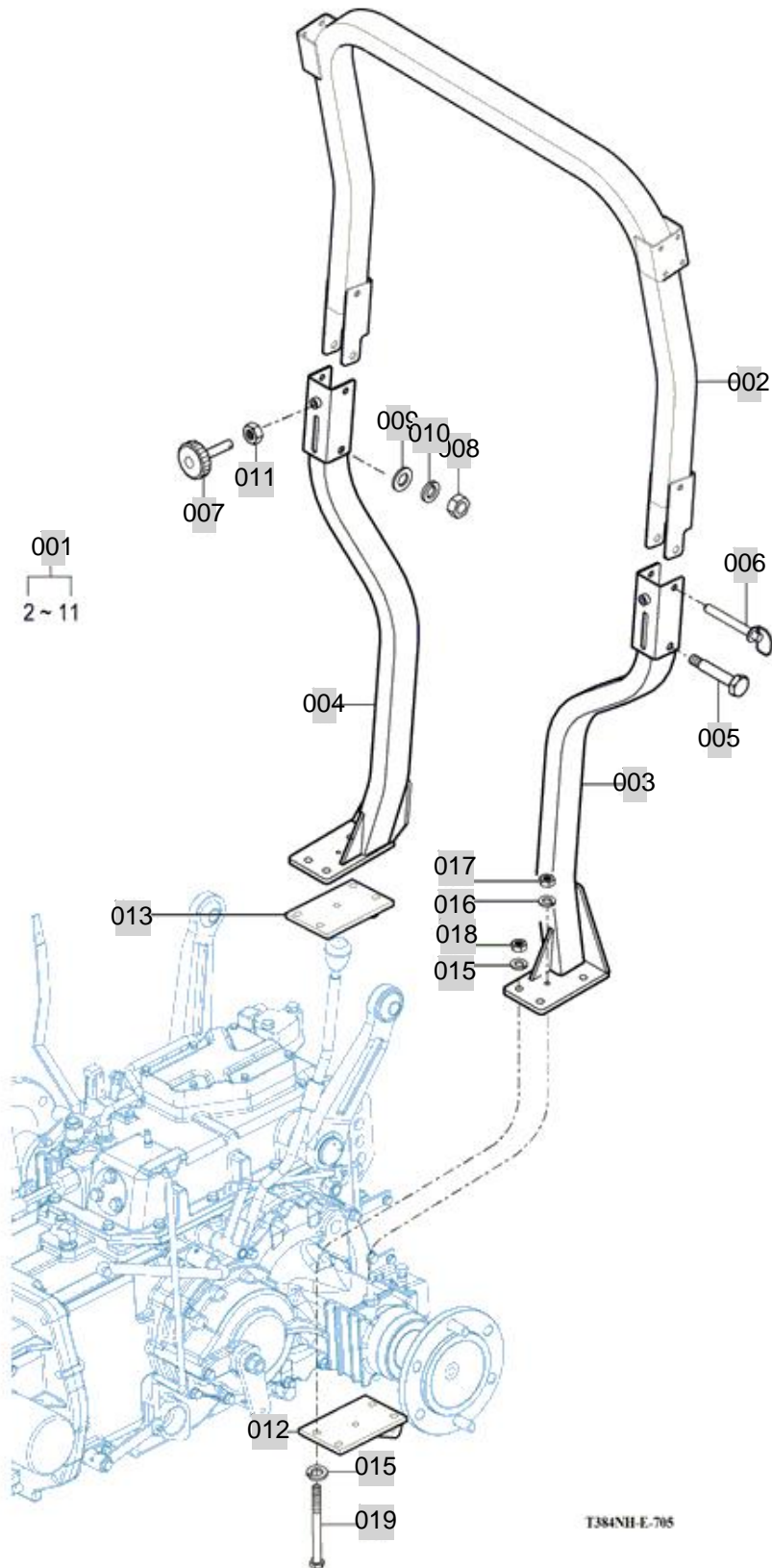
FIG 705

T394NH

ROPS

년/월  
Year/Month

2020.07



NOTE



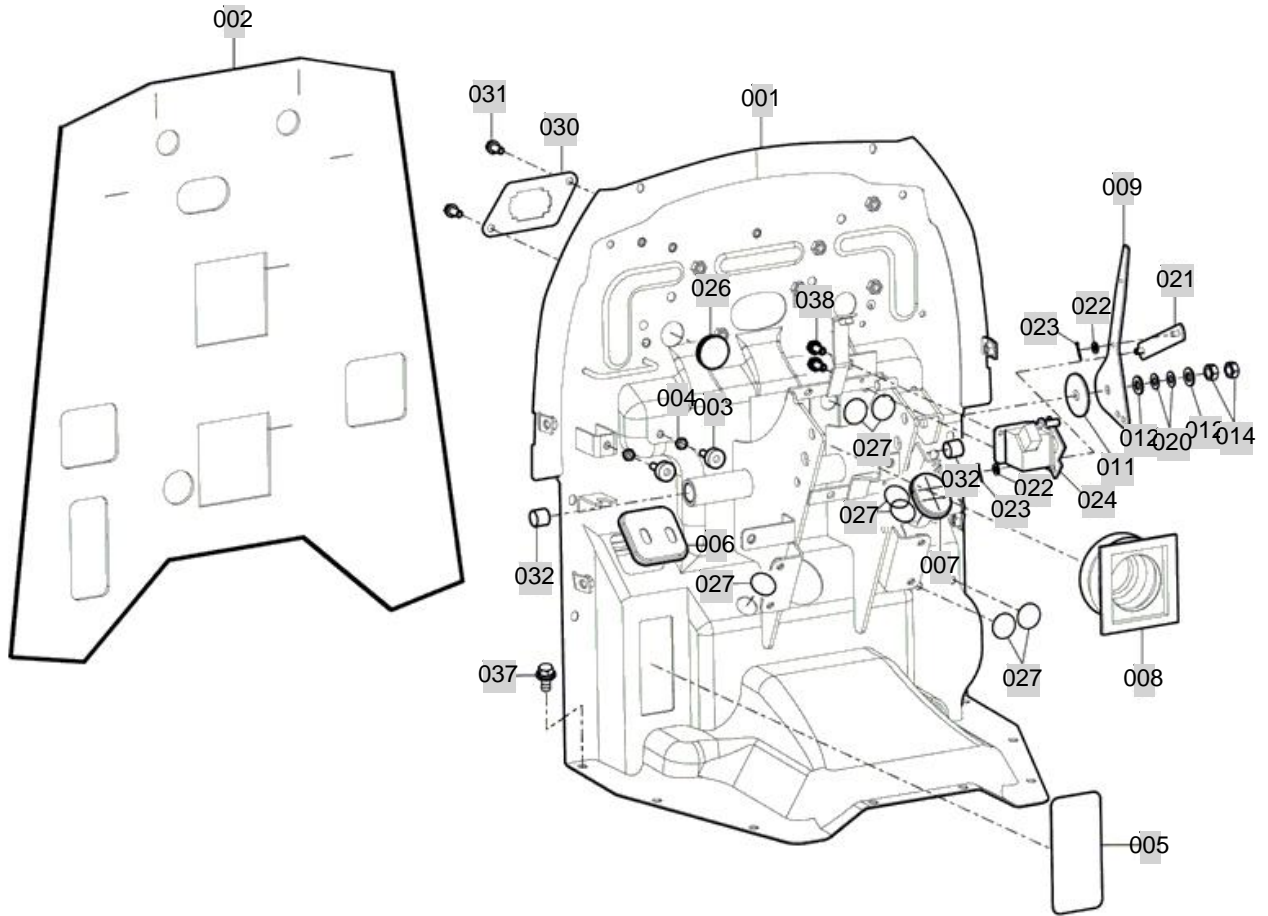
FIG 706

T394NH

DASHBOARD

년/월  
Year/Month

2020.07



T384NH-E-706

NOTE





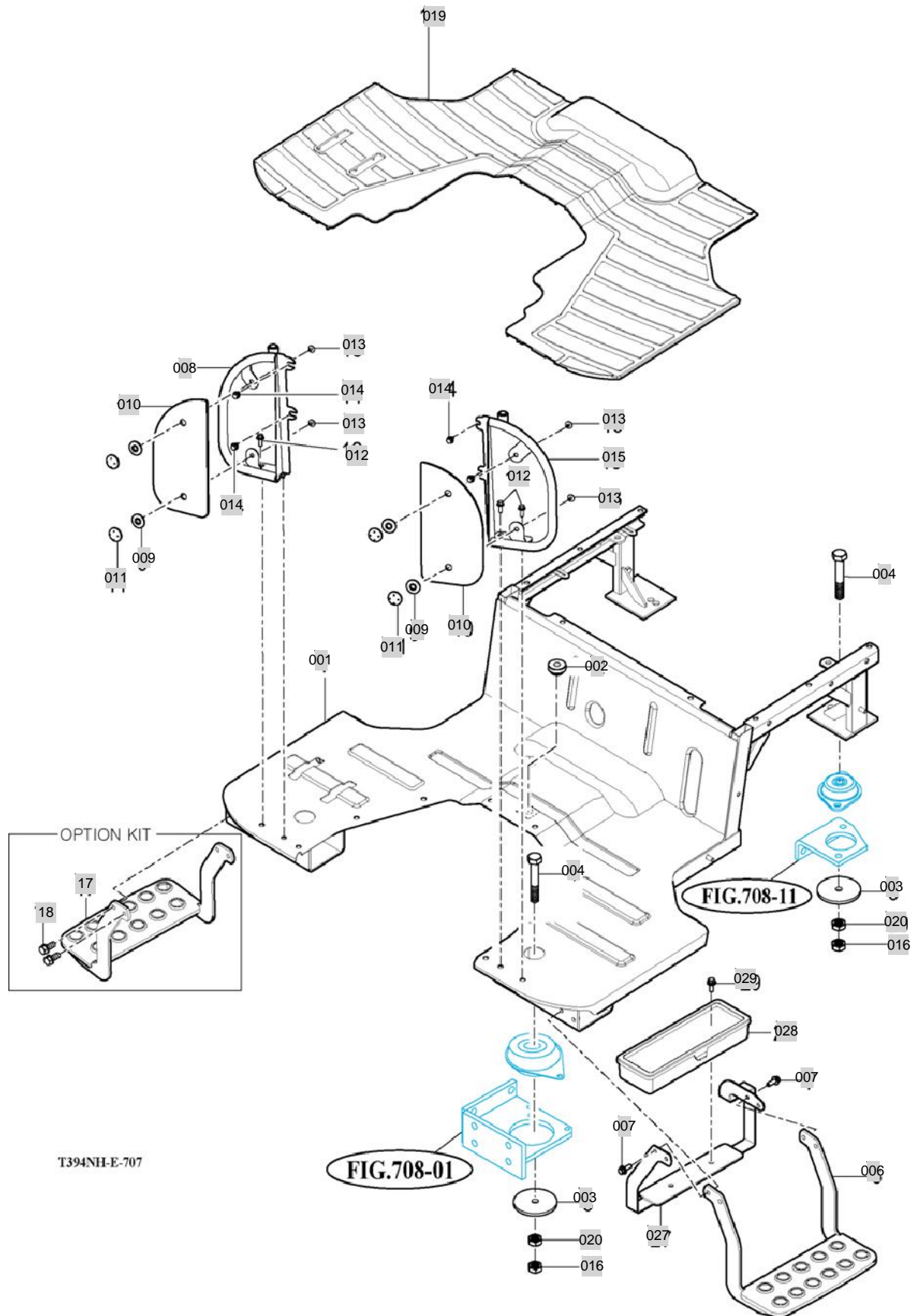
FIG 707

T394NH

FLOOR

년/월  
Year/Month

2020.07



T394NH-E-707

NOTE



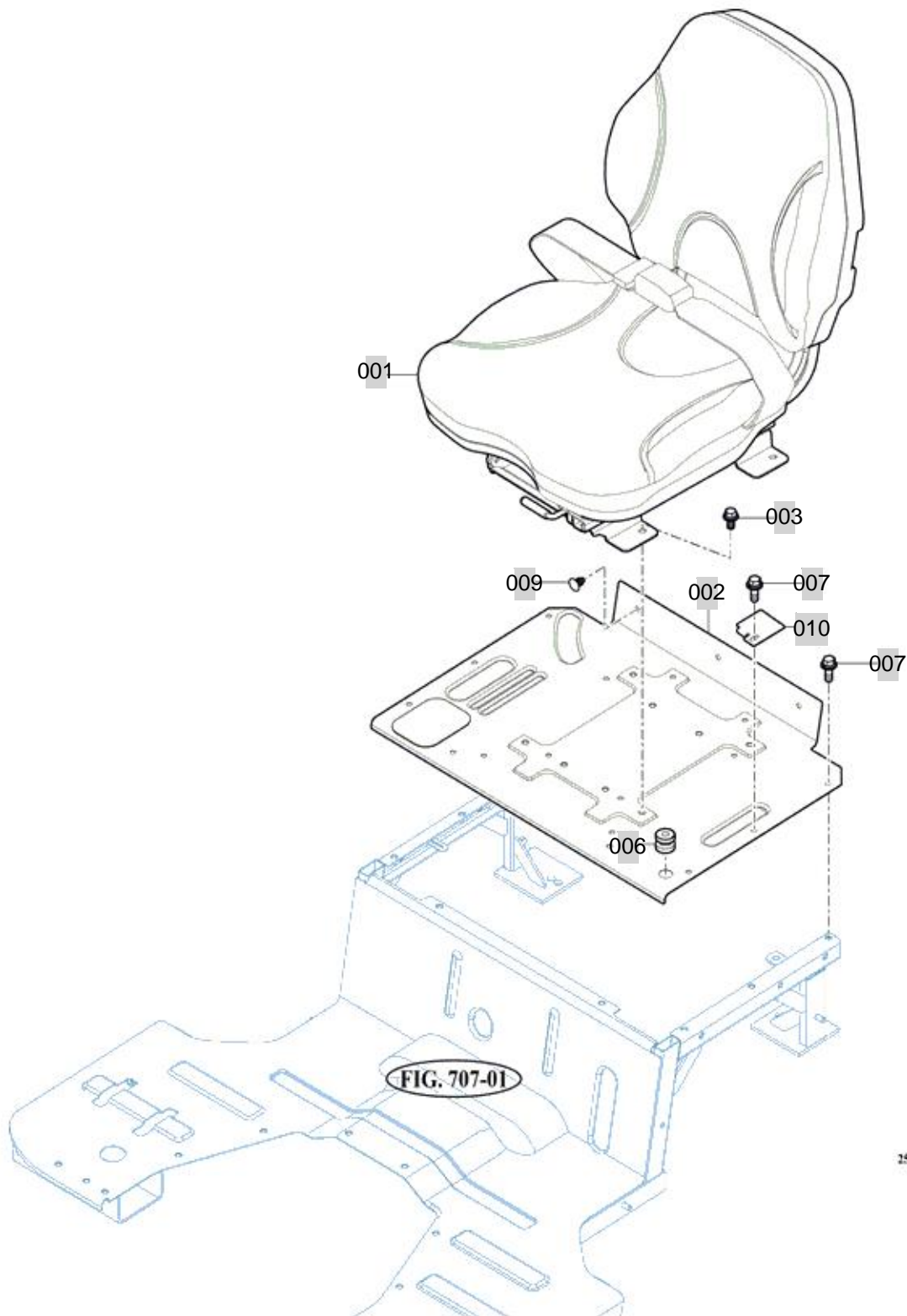
FIG 708

T394NH

SEAT

년/월  
Year/Month

2020.07



2538-E-708

NOTE



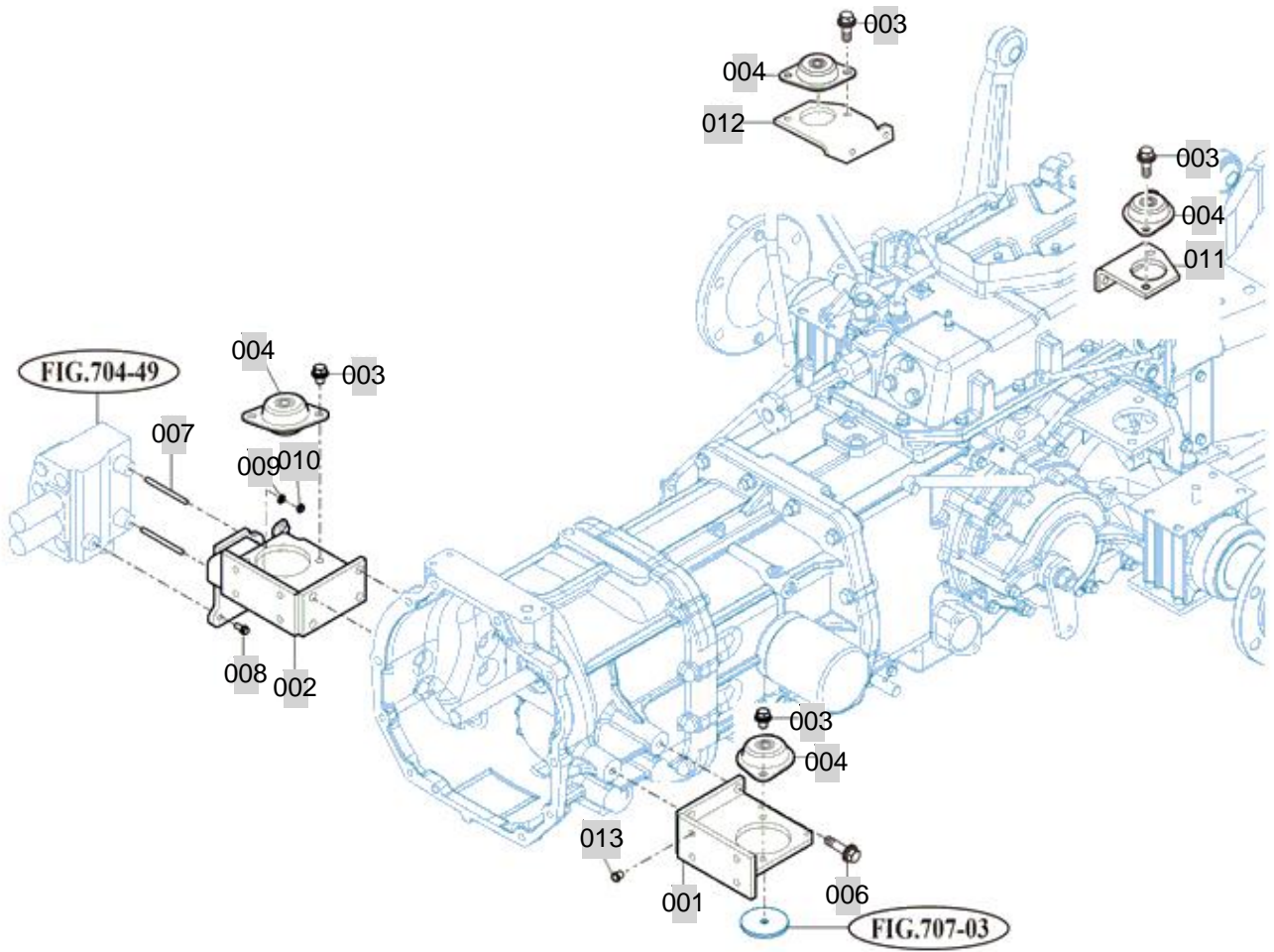
FIG 709

T394NH

FLOOR MOUNTING

년/월  
Year/Month

2020.07



NOTE



## 8. ELECTRICALS & HARNESS PART NO. T394NH-C8

FIG 801 BATTERY & MOUNTING	168
FIG 802 LIGHTS	170
FIG 803 INSTRUMENT PANEL	172
FIG 804 ELECTRIC SYSTEM	174
FIG 805 HARNESS (1)	176
FIG 806 HARNESS (2)	178

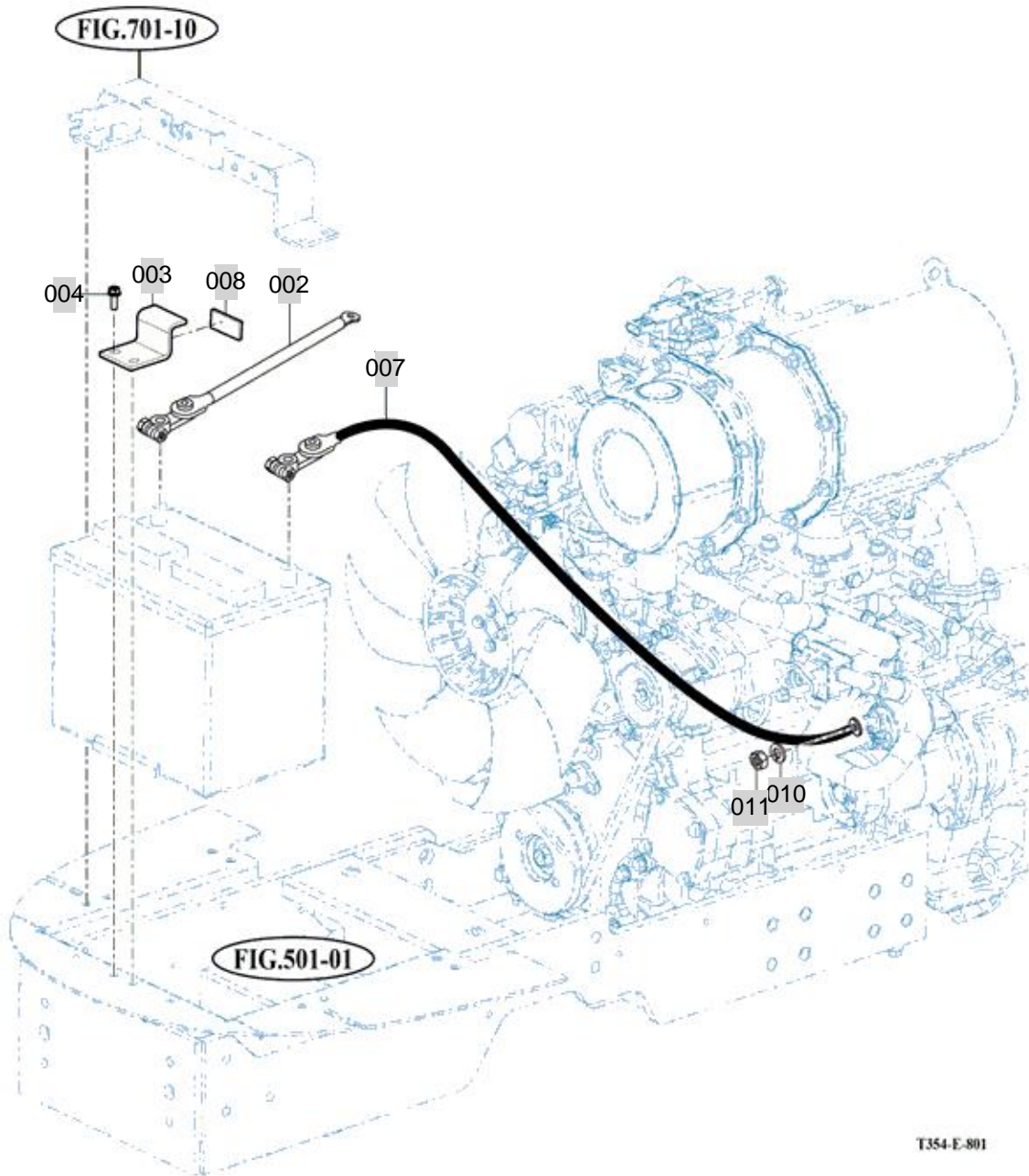
FIG 801

T394NH

BATTERY & MOUNTING

년/월  
Year/Month

2020.07



T354-E-801

NOTE



FIG 801 T394NH		BATTERY & MOUNTING						년/월 Year/Month	
								2020.07	
KEY NO		PART NO	DESCRIPTION	SPEC	QTY	REPAIR	EFFECTIVE DATE	REMARKS	
801	001	14216000522	BATTERY ASSY , 12V80AH		1				
801	002	13016503001	HARNESS	1X1X1	1				
801	003	17406870011GB	BRACKET, BATTERY FIX		1				
801	004	V2323606020	BOLT , C/R HEX/SP	M6X20	2				
801	007	11116502000	CABLE ASSY , BATTERY		1				
801	008	11101032400	SPONGE , AIRCLEANER		1				
801	010	V4011600080	WASHER , SPRING	M8	1		20081201		
801	011	V3042600080	NUT , HEX/2	M8	1		20081201		
NOTE									

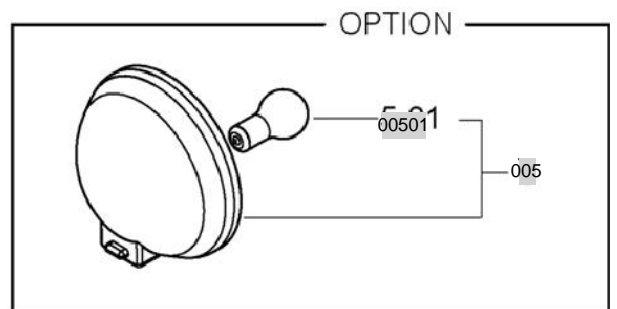
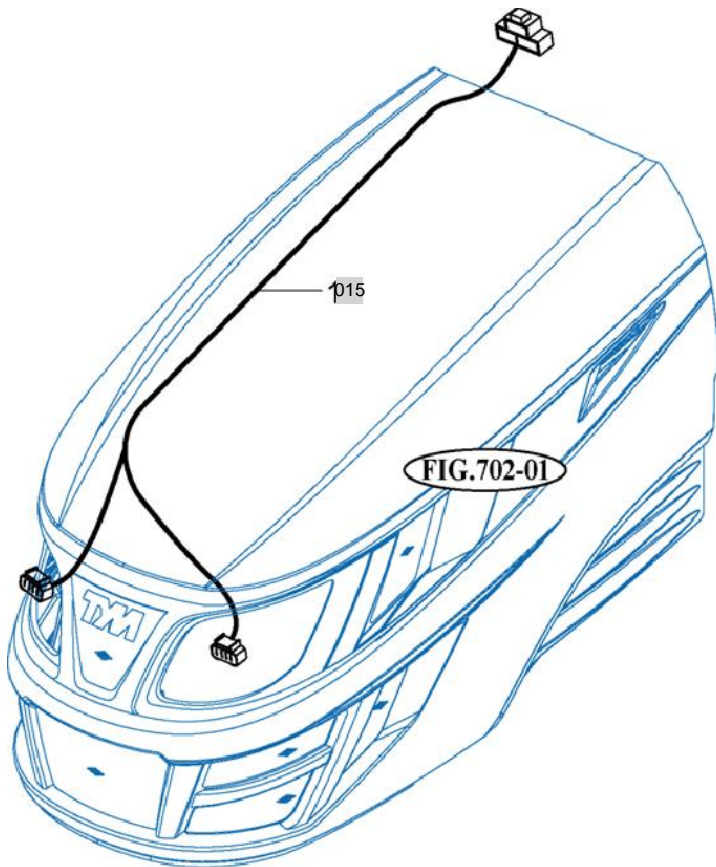
FIG 802

T394NH

LIGHTS

년/월  
Year/Month

2020.07



NOTE



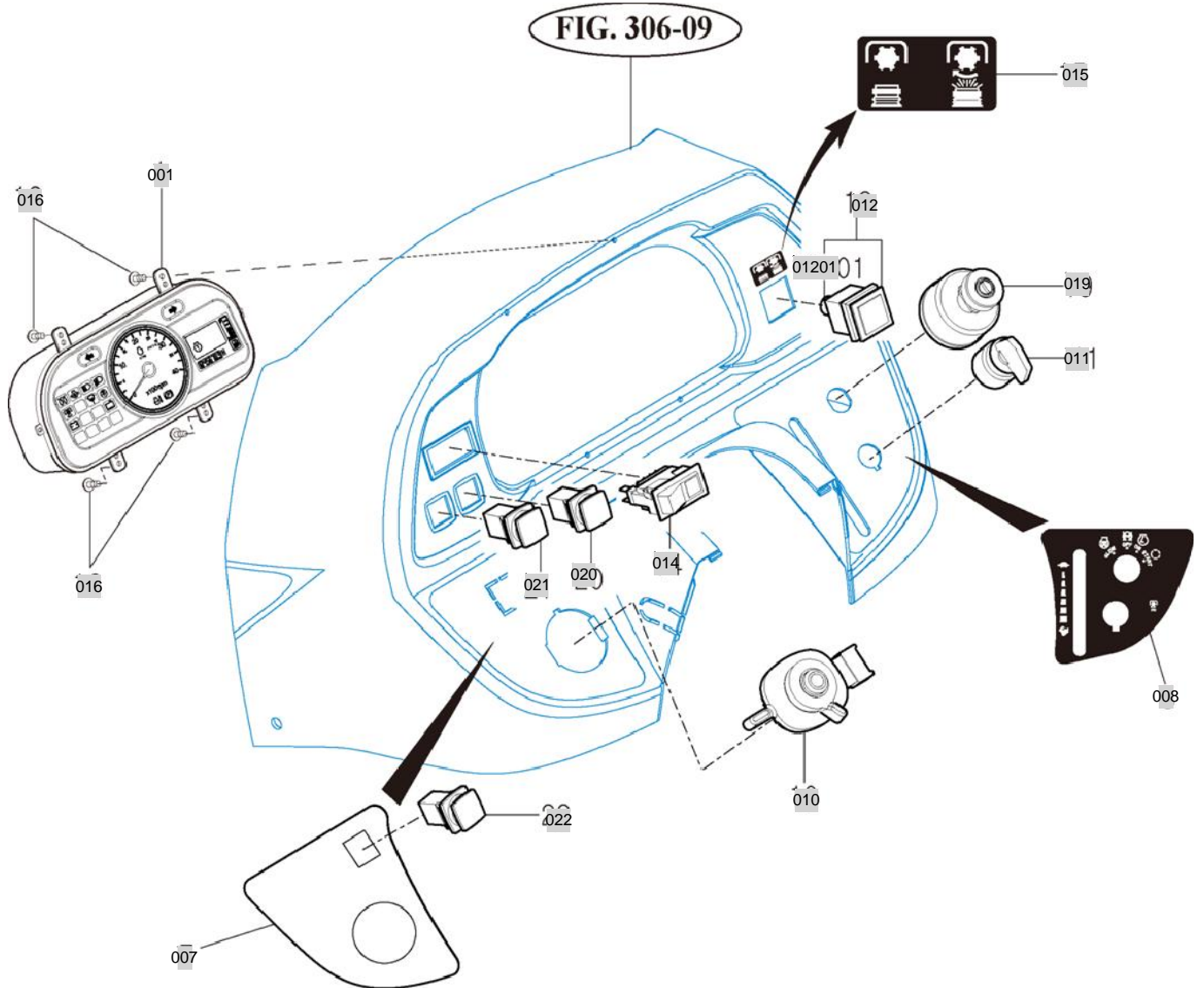
FIG 803

INSTRUMENT PANEL

년/월  
Year/Month

2020.07

T394NH



T354-E-803

NOTE



FIG 804

T394NH

ELECTRIC SYSTEM

년/월  
Year/Month

2020.07

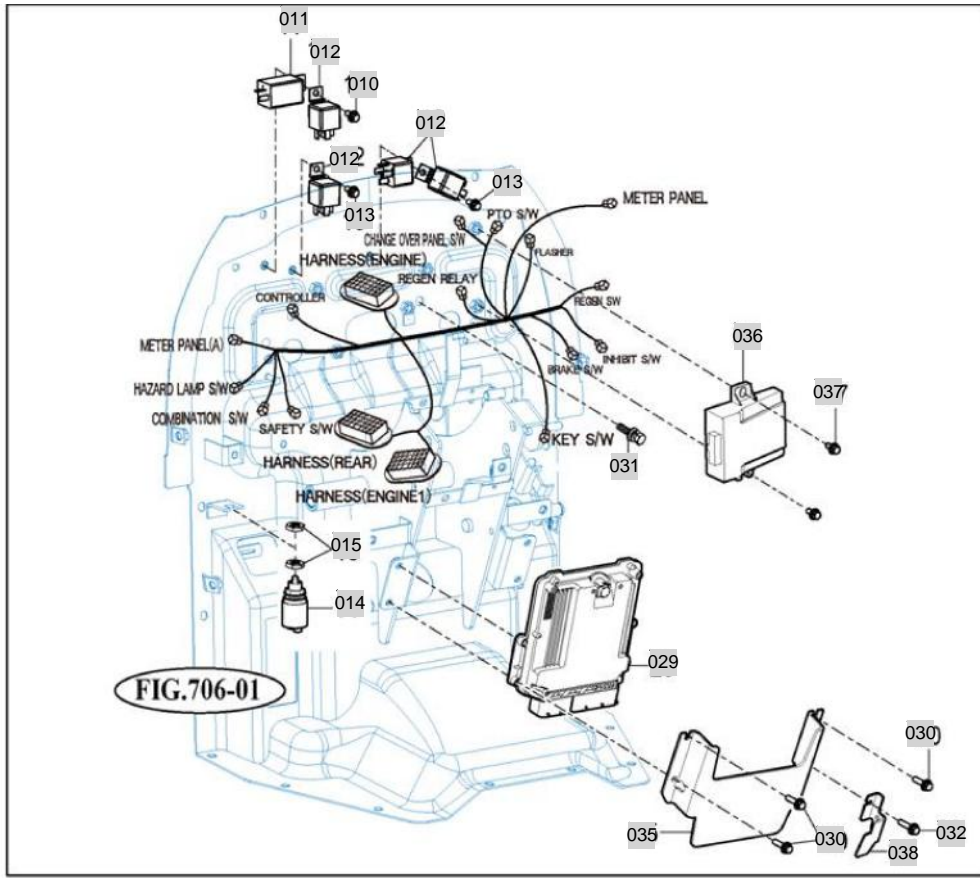
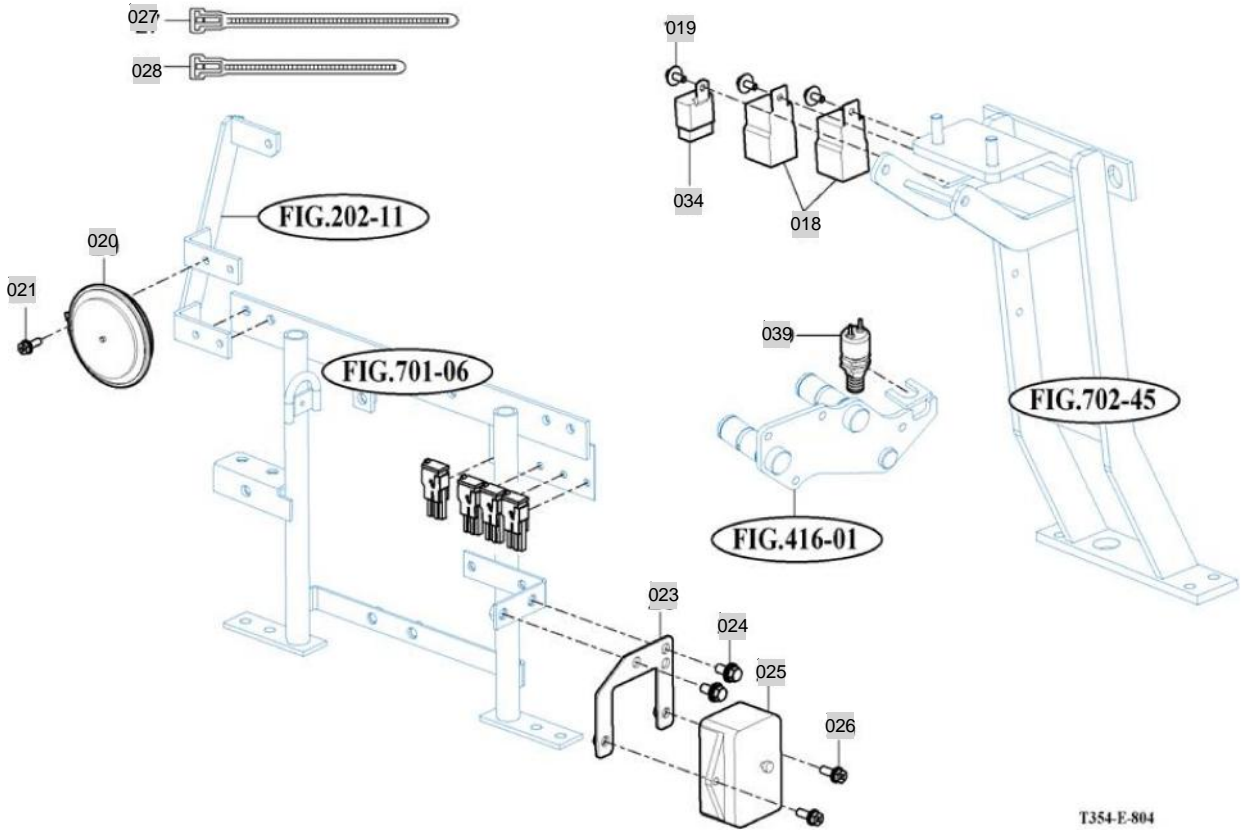


FIG.706-01



T354-E-804

NOTE



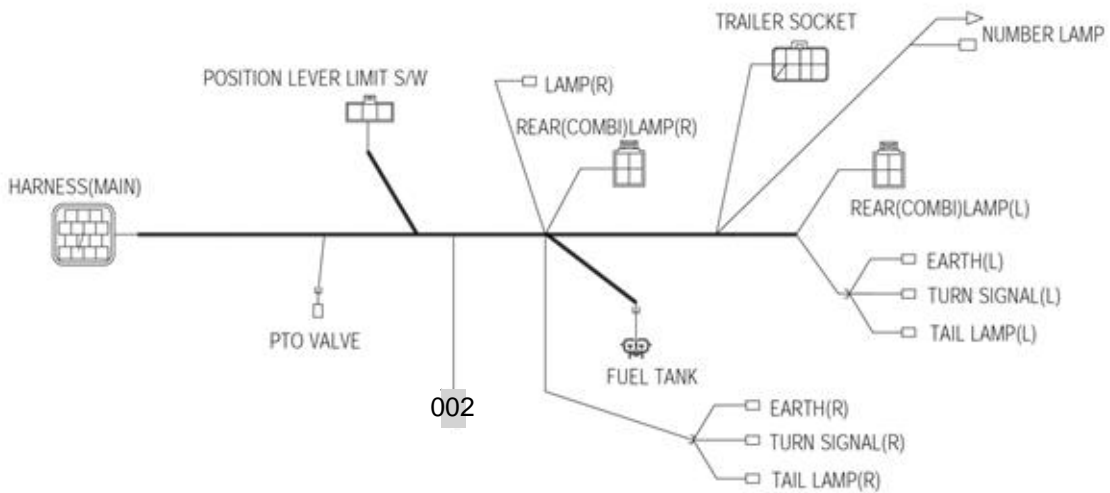
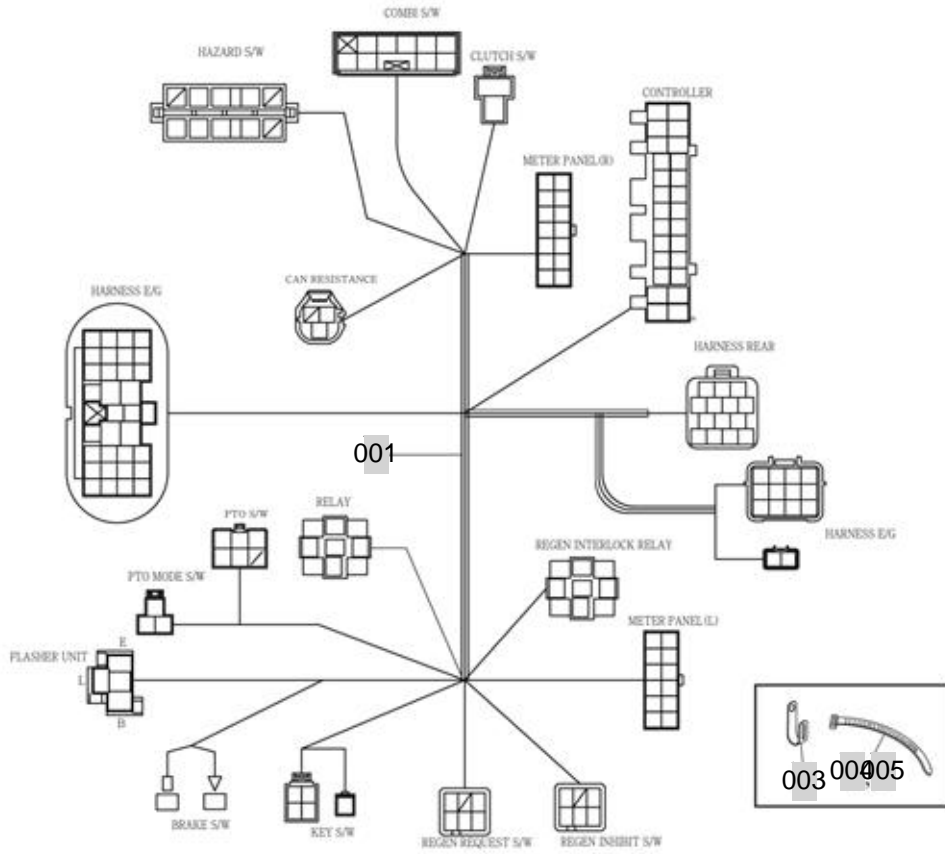
FIG 805

HARNESS (1)

년/월  
Year/Month

T394NH

2020.07



T354NC-E-805

NOTE





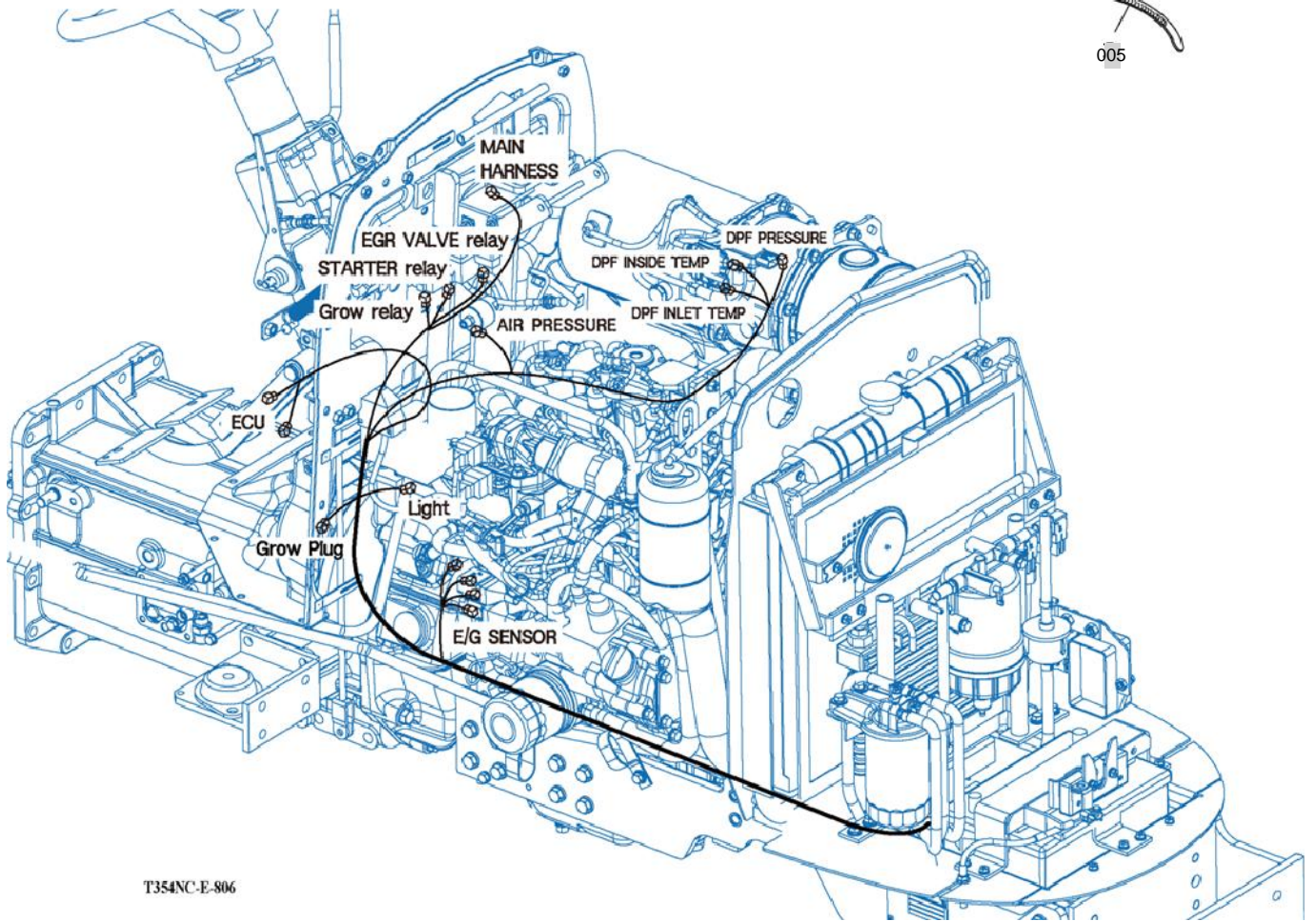
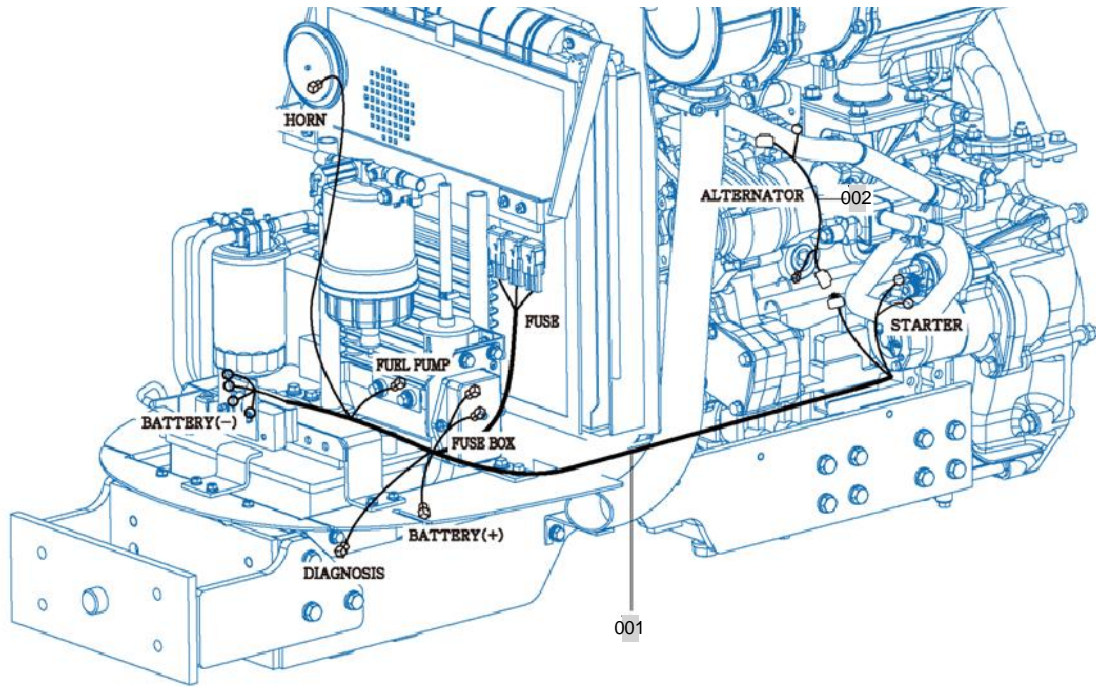
FIG 806

HARNESS (2)

년/월  
Year/Month

T394NH

2020.07



T354NC-E-806

NOTE

FIG 806		HARNESS (2)						년/월 Year/Month
T394NH								2020.07
KEY NO	PART NO	DESCRIPTION	SPEC	QTY	REPAIR	EFFECTIVE DATE	REMARKS	
806	001	12356682003	HARNESS ASSY , E/G		1			
806	002	12346682200	HARNESS ASSY, ALTERNATOR		1			
806	005	13424020060	CABLE TIE , 250	1X1X1	5	20111227		
NOTE								

## 9. WEIGHT, LABEL , TOOLS PART NO. T394NH-C9

FIG 901 TOOL & ACCESSORY	181
FIG 902 LABEL	183
FIG 902-2 LABEL	185
FIG 903 WEIGHT	187

FIG 901

T394NH

TOOL & ACCESSORY

년/월  
Year/Month

2020.07

14  
014



15  
015



17  
017



T354-E-902

NOTE



FIG 902

LABEL

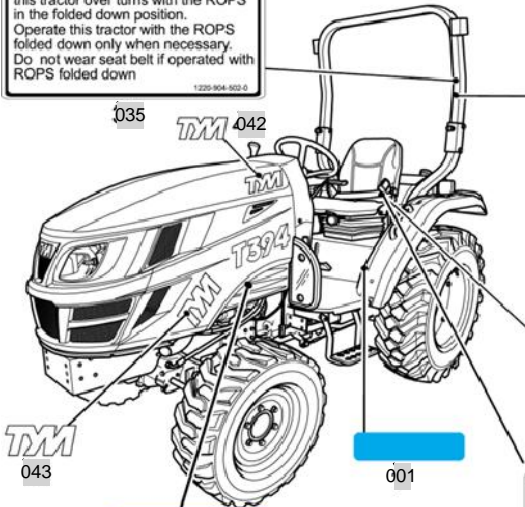
년/월  
Year/Month

T394NH

2020.07

**WARNING**  
 Death or injury may result if this tractor over turns with the ROPS in the folded down position. Operate this tractor with the ROPS folded down only when necessary. Do not wear seat belt if operated with ROPS folded down

035 TMM 042



TMM 043

001

**DANGER**  
 This Tractor may tip over unexpectedly and quicker than an operator is able to jump free

- 1.Never operate a tractor without a proper Roll over Protection Structure.(ROPS)
- 2.Always wear your seat belt when operating this tractor equipped with roll over protection.
- 3.Never pull from above or from the rear axle.
4. Do not operate the tractor on steep slopes or near drop offs
- 5.Avoid sharp high speed turns

Serious injury or death may result from tractor upsets.

036

**WARNING**

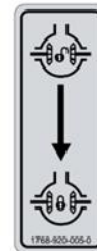
- Start engine only from operators seat. if safety start switch is by passed engine can start with transmission in gear.
- Do not connect or short across terminal on starter solenoid.
- Attach booster cables as shown on battery decal and operators manual.

Starting in gear causing runaway can result in serious injury.

048

**WARNING**  
 Do not use the sub shift lever at "H" position when driving backward.

011



018



045

**CAUTION**  
 Do not touch while the system is hot. It cause serious burns

011

**DANGER**  
 Do not ride except operator.

013

**WARNING**  
 Work in ventilated Area.

012

**MODEL**  
**TYPE**  
**ENGINE**  
**SERIAL NO.**  
**MANUFACTURER: TONG YANG MOOLSAN CO.,LTD**  
**ADDRESS**  
**TEL**

041



054

**PTO (MID,REAR) LEVER**  
 To prevent transmission damage, the PTO switch must be OFF before PTO lever is engaged.

050

OFF REAR PTO ON

049

**WARNING**  
 Always fasten Your seat belt.

015

**WARNING**  
 Never use the diff-lock at high speed or on the road as this can cause rollover and injury.

019

**WARNING**  
 Do not remove radiator cap while engine is hot. Hot steam will injure you.

008

T394

029

HST 044

**DANGER**  
 Start only from seat in park or neutral  
 Starting in gear kills.

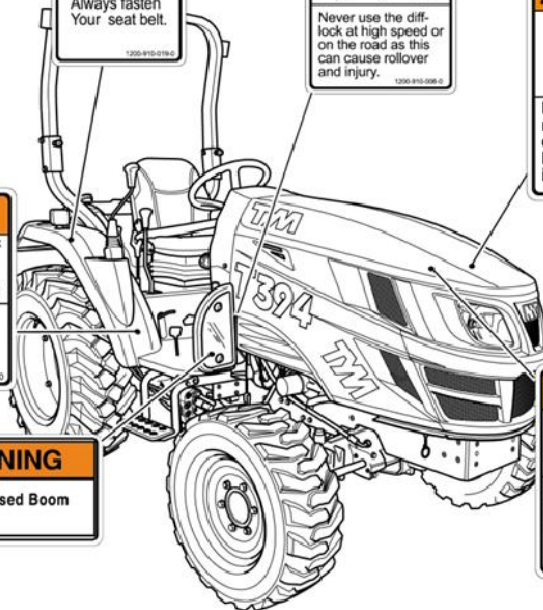
046

**WARNING**  
 LOCK ← UNLOCK  
 LOCK BUTTEN  
 Push the butten to lock position with joystick lever is neutral whenever the implement is not operation.

037

**WARNING**  
 Stay clear of raised Boom and bucket.

038



**CAUTION**  
 Keep hands and clothing away from rotating fan and belts to prevent serious injury.

007

NOTE

FIG 902			LABEL					년/월 Year/Month	
T394NH								2020.07	
KEY NO	PART NO	DESCRIPTION	SPEC	QTY	REPAIR	EFFECTIVE DATE	REMARKS		
902	001	14726400010	SEAL , HANDBRAKE	T=0.25	1				
902	004	12009100080	LABEL , WARNING TILTING	1X1X1	1	20120105			
902	005	12009100240	LABEL , CAUTION MUFFLER	1X1X1	1	20060425			
902	007	12009100120	LABEL , CAUTION FAN	1X1X1	1	20060425			
902	008	12009100150	LABEL , WARNING RADIATOR	1X1X1	1	20060425			
902	009	12009100230	LABEL , CAUTION OPERATION	T=0.05	2	20060425			
902	010	12009100130	LABEL , DANGER PTO	1X1X1	1	20060425			
902	011	12009100010	LABEL , WARNING SUB SHIFTER	1X1X1	1	20060425			
902	012	12009100030	LABEL , WARNING EXHAUST	1X1X1	1	20060425			
902	013	12009100160	LABEL , DANGER RIDING	1X1X1	1	20060425			
902	014	17689100170	LABEL , CAUTION SAFETY		1	20060301			
902	015	12009100190	LABEL , WARNING BELT	1X1X1	1	20060425			
902	016	12009100210	LABEL , WARNING THROTTLE	1X1X1	1	20060425			
902	017	12009100050	LABEL , WARNING FIRE	1X1X1	1	20060425			
902	018	17689200050	LABEL , DIFF		1	20030301			
902	019	12009100060	LABEL , WARNING DIFF	1X1X1	1	20060425			
902	020	12009100140	LABEL , WARNING DRAW	1X1X1	1	20120105			
902	026	12009100070	LABEL , WARNING BRAKE	1X1X1	1	20120105			
902	029	12359040041	MARK ONAMENT , T394		2				
902	035	12209045020	LABEL , ROPS WARNING	T=0.05	1				
902	036	12209045010	LABEL , ROPS DANGER	T=0.05	1	20120105			
902	037	17699100090	LABEL , WARNING JOYSTICK	1X1X1	1	20060425			
902	038	17699100100	LABEL , WARNING JOYSTICK		1	20060425			
902	039	12009430041	LABEL . 4WD		1				
902	040	12009100040	LABEL , WARNING STOP VALVE	1X1X1	1	20060425			
902	041	T0019010021	LABEL , MODEL/EXPORT	1X1X1	1				
902	042	13019041130	LABEL, TYM(35)	1X1X1	2				
902	043	19129041130	LABEL , TYM(75)	1X1X1	2				
902	044	14729020011	LABEL , HST	1X1X1	2				
902	045	13109010070	LABEL , SHIFT	T=0.05	1				
902	046	14729020110	LABEL , DANGER	1X1X1	1				
902	047	12209040030	LABEL , ROTARY		2	20030520			
902	048	12609040620	LABEL , STARTING WARNING	T=0.05	1	20120105			
902	049	14729040141	LABEL , RR PTO		1				
902	050	14729040200	LABEL , PTO LEVER	1X1X1	1				
902	052	12209045051	LABEL , ROPS WARNING/REMODELING		1				
902	053	13039040690	LABEL , ROPS		1				
902	054	13379100150	6YEAR WARRANTY LABEL		1				
902	055	17409209010	LABEL , OPERATION/DPF REGEN		1				
902	056	12009040041	LABEL , HYDRAULIC CONTROL		1				
NOTE									



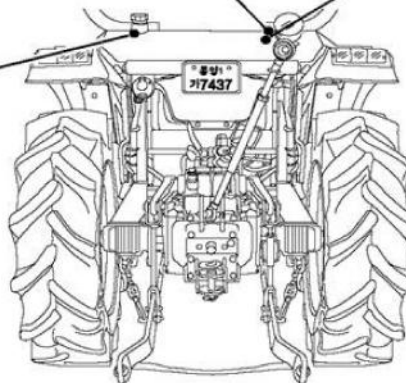
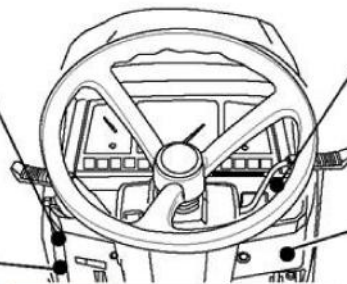
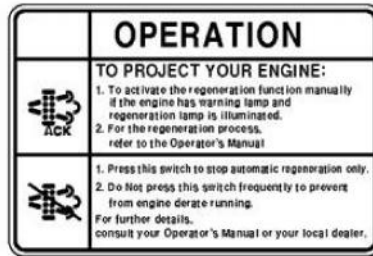
FIG 902-2

LABEL

년/월  
Year/Month

2020.07

T394NH



NOTE



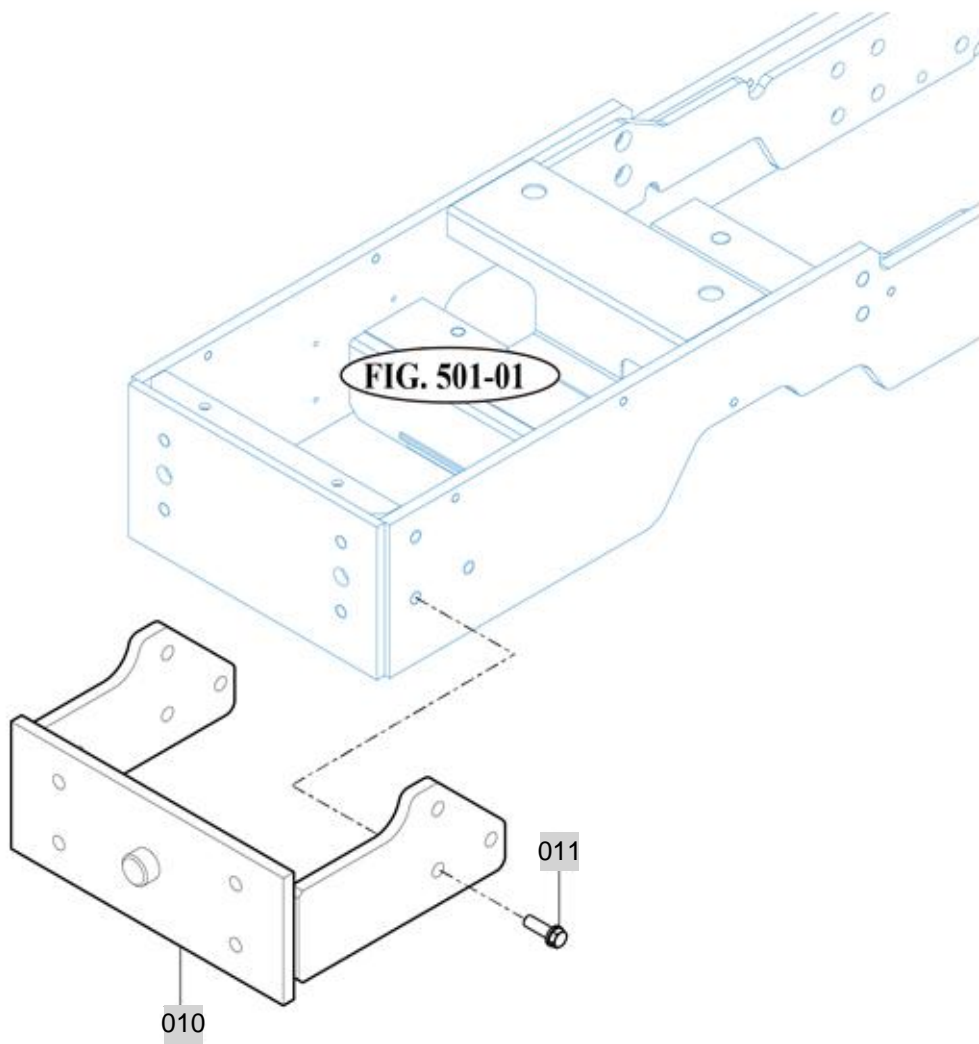
FIG 903

T394NH

WEIGHT

년/월  
Year/Month

2020.07



NOTE

