

T233

Parts Catalog

목 차

1. ENGINE S3L PART NO. S3L

FIG 101 CYLINDER HEAD	8
FIG 102 LIFTING EYE	10
FIG 103 VALVE MECHANISM	12
FIG 104 ROCKER COVER	14
FIG 105 CAMSHAFT & TAPPET	16
FIG 106 CRANKCASE	18
FIG 107 CRANKCASE	20
FIG 108 DRAIN COCK & PIPE	22
FIG 109 MAIN BEARING	24
FIG 110 TIMING GEAR CASE	26
FIG 111 FLYWHEEL HOUSING	28
FIG 112 OIL PAN	30
FIG 113 PISTON	32
FIG 114 CONNECTING-ROD	34
FIG 115 CRANKSHAFT & PULLEY	36
FIG 116 FLYWHEEL	38
FIG 117 TIMING GEAR	40
FIG 118 TACHO DRIVE	42
FIG 119 INLET SYSTEM	44
FIG 120 EXHAUST SYSTEM	46
FIG 121 OIL PUMP	48
FIG 122 OIL STRAINER	50
FIG 123 OIL SYSTEM	52
FIG 124 OIL FILTER & GAGE	54
FIG 125 BREATHER	56
FIG 126 WATER PUMP & PULLEY	58
FIG 127 COOLING SYSTEM	60
FIG 128 FAN & V-BELT	62
FIG 130 FUEL SYSTEM	64
FIG 131 NOZZLE & NOZZLE HOLDER	66
FIG 133 GOVERNOR	68

FIG 134 INJECTION PUMP	70
FIG 135 INJECTION PUMP	72
FIG 136 FUEL INJECTION PUMP DRIVE	74
FIG 137 STARTER	76
FIG 138 STARTER(12V-1.6KW)	78
FIG 139 GLOW PLUG	80
FIG 140 ALTERNATOR	82
FIG 141 ALTERNATOR(12V-50A)	84
FIG 142 ENGINE CONTROL	86
FIG 143 INSTRUMENT	88
FIG 144 ACCESSORY	90
FIG 145 OVERHAUL GASKET KIT	92

2. ENGINE ACCESSORIES & CONTROL PART NO. T233-E-C2

FIG 201 AIR CLEANER	95
FIG 202 RADIATOR	97
FIG 203 MUFFLER	99
FIG 204 FUEL TANK & FUEL LINE	101
FIG 205 ACCELERATOR	103
FIG 206 OIL COOLER	105
FIG 207 FUEL PUMP & FILTER	107

3. CLUTCH, BRAKE, STEERING PART NO. T233-E-C3

FIG 301 FLYWHEEL COVER	110
FIG 302 SPEED CONTROL	112
FIG 303 BRAKE	115
FIG 304 BRAKE PEDAL & LINKAGE	117
FIG 305 STEERING WHEEL & DASH COVER	119
FIG 306 STEERING VALVE	121
FIG 307 STEERING CYLINDER	123
FIG 308 FRONT WHEEL	125
FIG 309 FRONT WHEEL	127
FIG 310 HAND BRAKE	129

4. TRANSMISSION & REAR AXLE PART NO. T233-E-C4

FIG 401 INPUT SHAFT	132
---------------------	-----

FIG 402 HST	134
FIG 404 4WD DRIVE GEAR	136
FIG 405 RANGE GEARS	138
FIG 406 P.T.O DRIVE SHAFT	140
FIG 407 P.T.O SHAFT	142
FIG 408 MID P.T.O GEARS	144
FIG 409 DIFFE LOCK	146
FIG 410 REAR TRANSMISSION CASE	148
FIG 411 REAR AXLE HOUSINGS	150
FIG 413 RANGE SHIFT LEVER	152
FIG 414 P.T.O CHANGE LEVER	154
FIG 415 4WD CHANGE LEVER	156

5. FRONT AXLE PART NO. T233-E-C5

FIG 501A FRAME (1)	159
FIG 501B FRAME (2)	161
FIG 502 FRONT DIFFERENTIAL GEARS & SHAFT	163
FIG 503 FRONT AXLE HOUSING	165
FIG 504 FRONT GEAR CASE (1)	167
FIG 505 FRONT GEAR CASE (2)	169

6. HYDRAULICS & 3-POINT LINK PART NO. T233-E-C6

FIG 601 CYLINDER CASE	172
FIG 602 LIFT ARM	174
FIG 603 FLOW CONTROL VALVE	176
FIG 604 CONTROL VALVE LINKAGE	178
FIG 605 MAIN CONTROL VALVE	180
FIG 606 REMOTE CONTROL VALVE	182
FIG 607 POSITION LEVER LINKAGE	184
FIG 608 HYDRAULIC PUMP & GEAR PUMP	186
FIG 609 HYDRAULIC HOSE (1)	188
FIG 610 HYDRAULIC HOSE (2)	190
FIG 611 PTO VALVE	192
FIG 612 3-POINT LINKAGE	194
FIG 613 JOYSTICK LEVER	197
FIG 614 HITCH & COVER	199

7. SHEET METAL & ROPS PART NO. T233-E-C7

FIG 701A BONNET (1)	202
FIG 701B BONNET (2)	204
FIG 702 DASH PANEL	206
FIG 703 FLOOR	208
FIG 704 SEAT	210
FIG 705 ROPS	212
FIG 706 FRONT & REAR MOUNTING	214
FIG 707A SEAL FLOOR	216
FIG 707B SEAL FLOOR	218
FIG 708 CAB FRAME & DOOR	220
FIG 709 FRONT GLASS	222
FIG 710 SIDE & REAR GLASS	224
FIG 711 ROOF	226
FIG 712 HEATER	228
FIG 713 INTERLOR PART	230

8. ELECTRICALS & HARNESS PART NO. T233-E-C8

FIG 801 BATTERY & MOUNTING	233
FIG 802 LIGHTS	235
FIG 803 INSTRUMENT PANEL	237
FIG 804 ELECTRIC SYSTEM	239
FIG 805 HARNESS	241
FIG 806 LAMP & COVER	243
FIG 807 HARNESS	245

9. WEIGHT,LABEL,TOOLS PART NO. T233-E-C9

FIG 901 TOOL & ACCESSORY	248
FIG 902 WEIGHT	250
FIG 903 LABEL	252

1. ENGINE S3L PART NO. S3L

FIG 101 CYLINDER HEAD	8
FIG 102 LIFTING EYE	10
FIG 103 VALVE MECHANISM	12
FIG 104 ROCKER COVER	14
FIG 105 CAMSHAFT & TAPPET	16
FIG 106 CRANKCASE	18
FIG 107 CRANKCASE	20
FIG 108 DRAIN COCK & PIPE	22
FIG 109 MAIN BEARING	24
FIG 110 TIMING GEAR CASE	26
FIG 111 FLYWHEEL HOUSING	28
FIG 112 OIL PAN	30
FIG 113 PISTON	32
FIG 114 CONNECTING-ROD	34
FIG 115 CRANKSHAFT & PULLEY	36
FIG 116 FLYWHEEL	38
FIG 117 TIMING GEAR	40
FIG 118 TACHO DRIVE	42
FIG 119 INLET SYSTEM	44
FIG 120 EXHAUST SYSTEM	46
FIG 121 OIL PUMP	48
FIG 122 OIL STRAINER	50
FIG 123 OIL SYSTEM	52
FIG 124 OIL FILTER & GAGE	54
FIG 125 BREATHER	56
FIG 126 WATER PUMP & PULLEY	58
FIG 127 COOLING SYSTEM	60
FIG 128 FAN & V-BELT	62
FIG 130 FUEL SYSTEM	64
FIG 131 NOZZLE & NOZZLE HOLDER	66
FIG 133 GOVERNOR	68
FIG 134 INJECTION PUMP	70
FIG 135 INJECTION PUMP	72
FIG 136 FUEL INJECTION PUMP DRIVE	74
FIG 137 STARTER	76
FIG 138 STARTER(12V-1.6KW)	78
FIG 139 GLOW PLUG	80
FIG 140 ALTERNATOR	82

FIG 141 ALTERNATOR(12V-50A)	84
FIG 142 ENGINE CONTROL	86
FIG 143 INSTRUMENT	88
FIG 144 ACCESSORY	90
FIG 145 OVERHAUL GASKET KIT	92

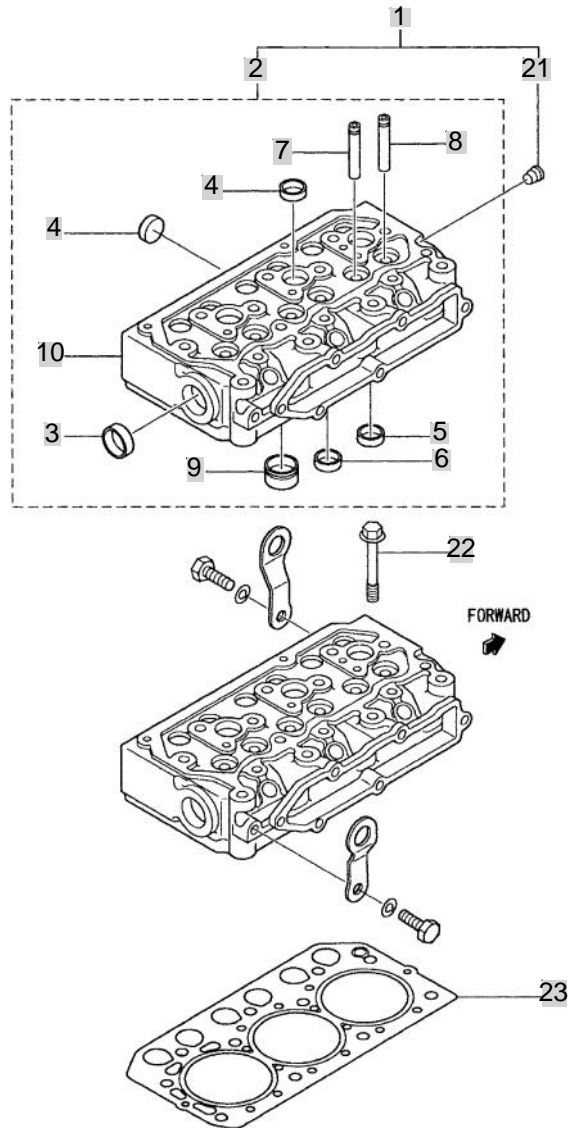
FIG 101

CYLINDER HEAD

년/월
Year/Month

2020.07

T233



NOTE

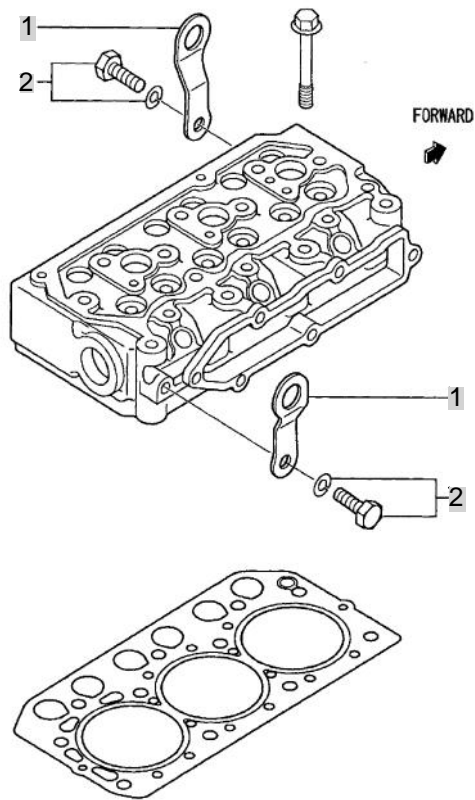
FIG 102

T233

LIFTING EYE

년/월
Year/Month

2020.07



NOTE

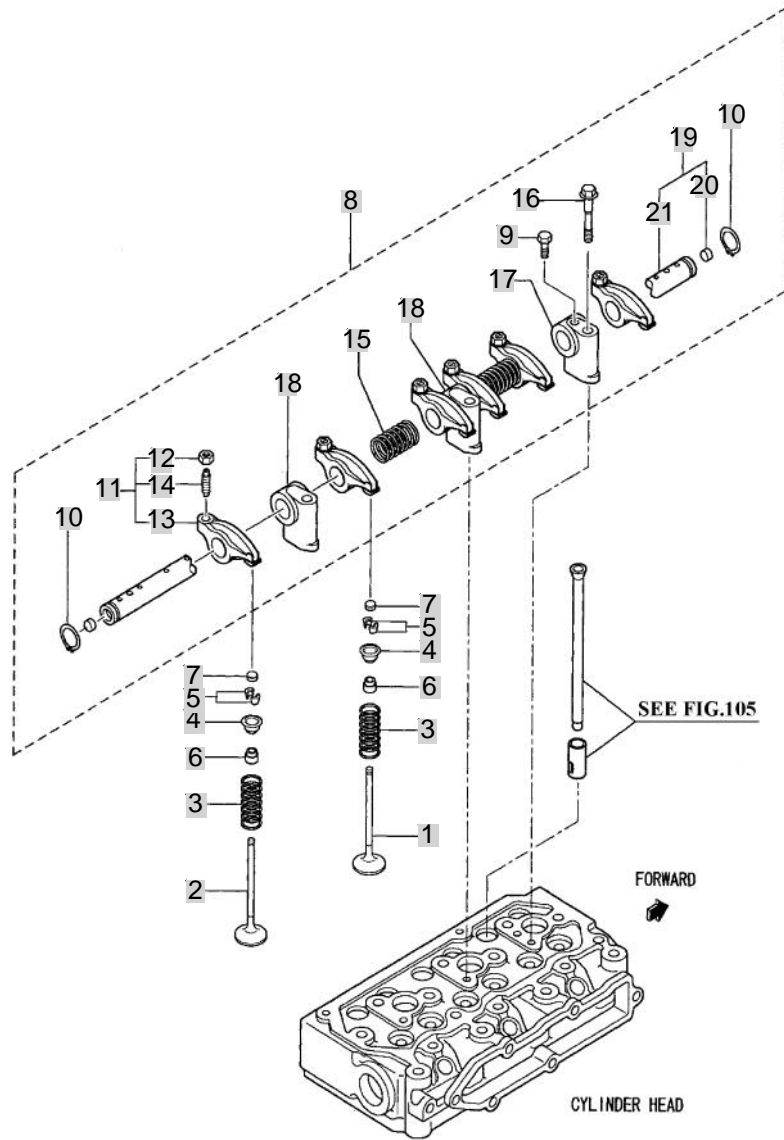
FIG 103

VALVE MECHANISM

년/월
Year/Month

2020.07

T233



REF. NO. 5 IS AVAILABE IN A SET WITH PAIR.

NOTE

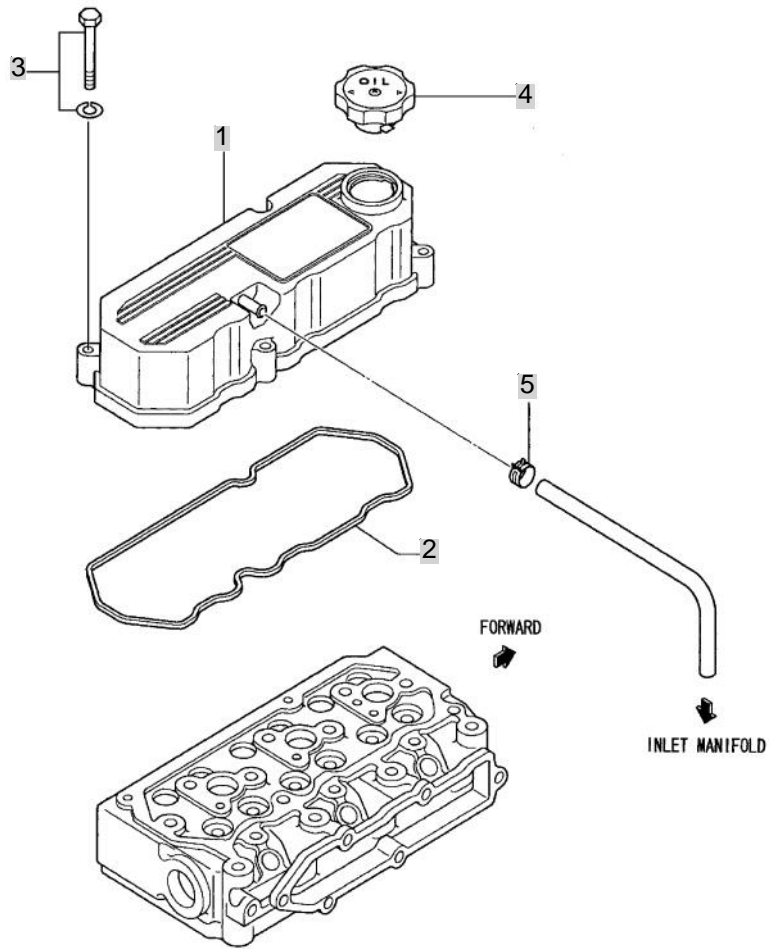
FIG 104

ROCKER COVER

년/월
Year/Month

2020.07

T233



NOTE

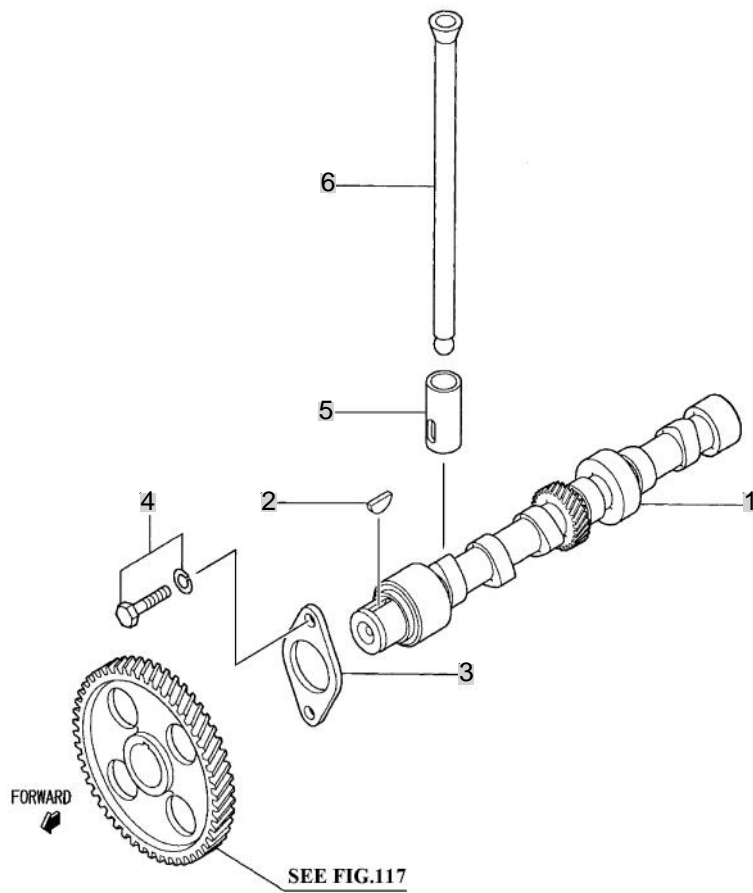
FIG 105

T233

CAMSHAFT & TAPPET

년/월
Year/Month

2020.07



NOTE

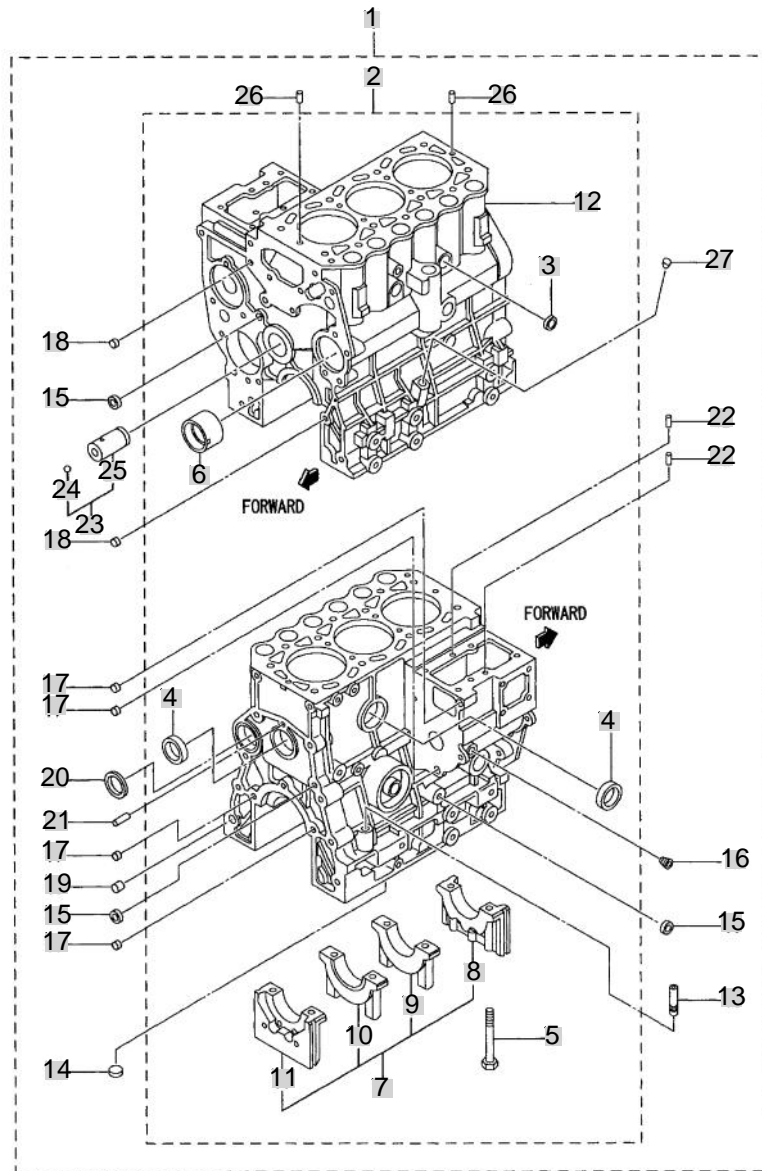
FIG 106

CRANKCASE

년/월
Year/Month

2020.07

T233



NOTE

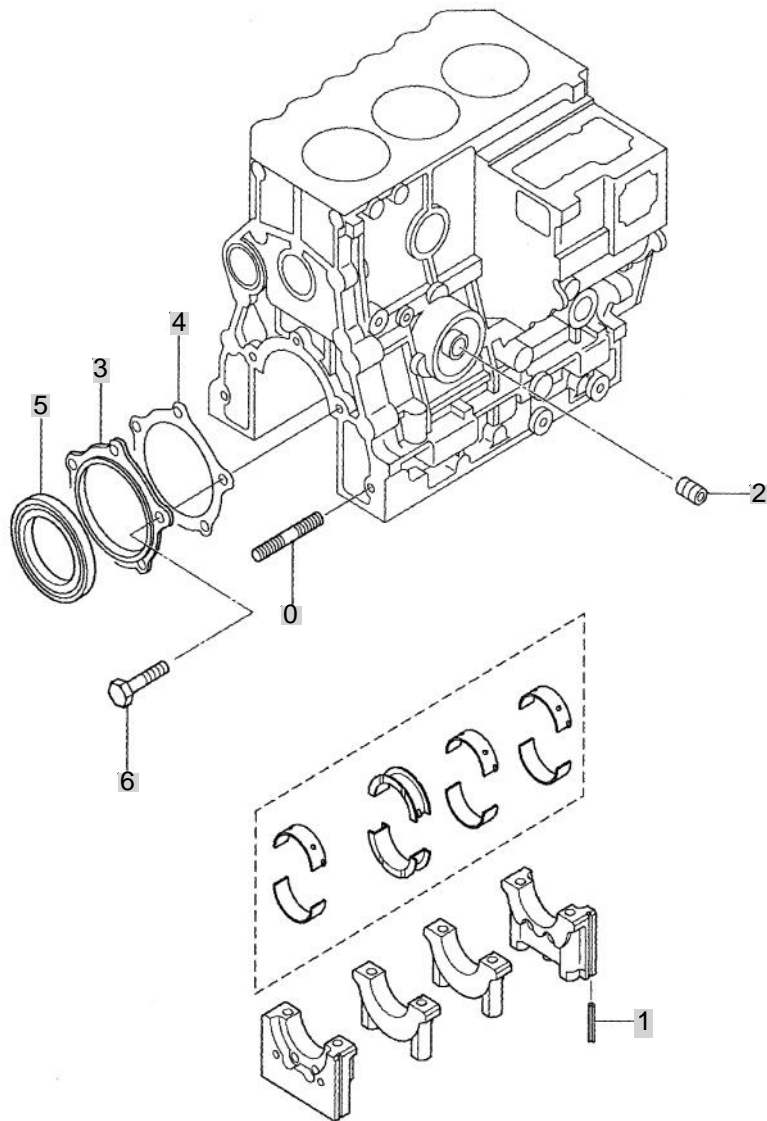
FIG 107

T233

CRANKCASE

년/월
Year/Month

2020.07



NOTE

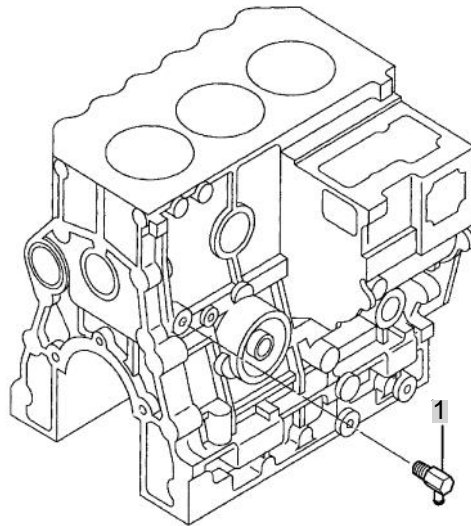
FIG 108

T233

DRAIN COCK & PIPE

년/월
Year/Month

2020.07



NOTE

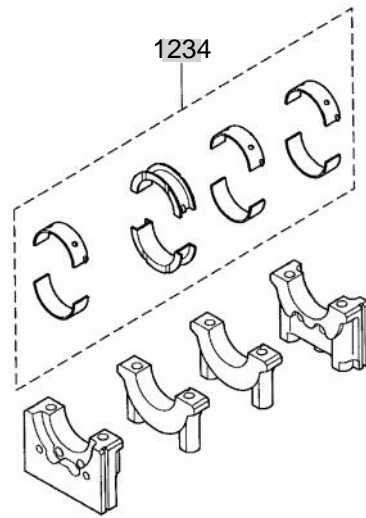
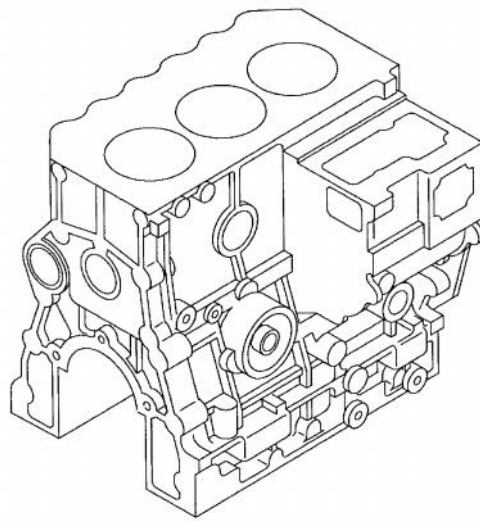
FIG 109

T233

MAIN BEARING

년/월
Year/Month

2020.07



NOTE

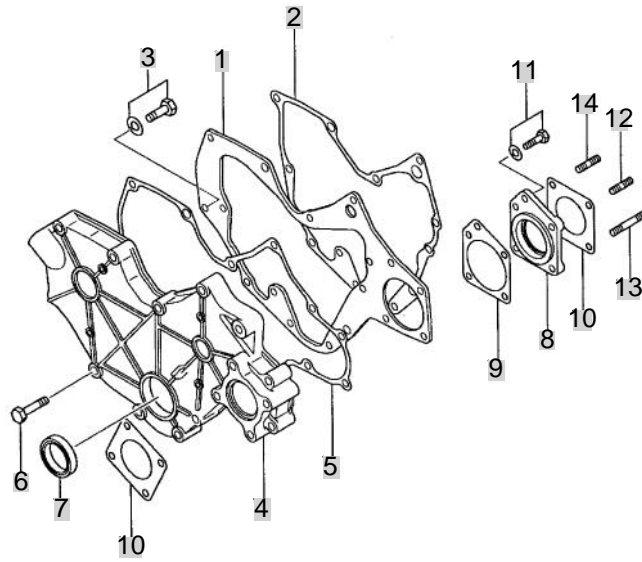
FIG 110

T233

TIMING GEAR CASE

년/월
Year/Month

2020.07



NOTE

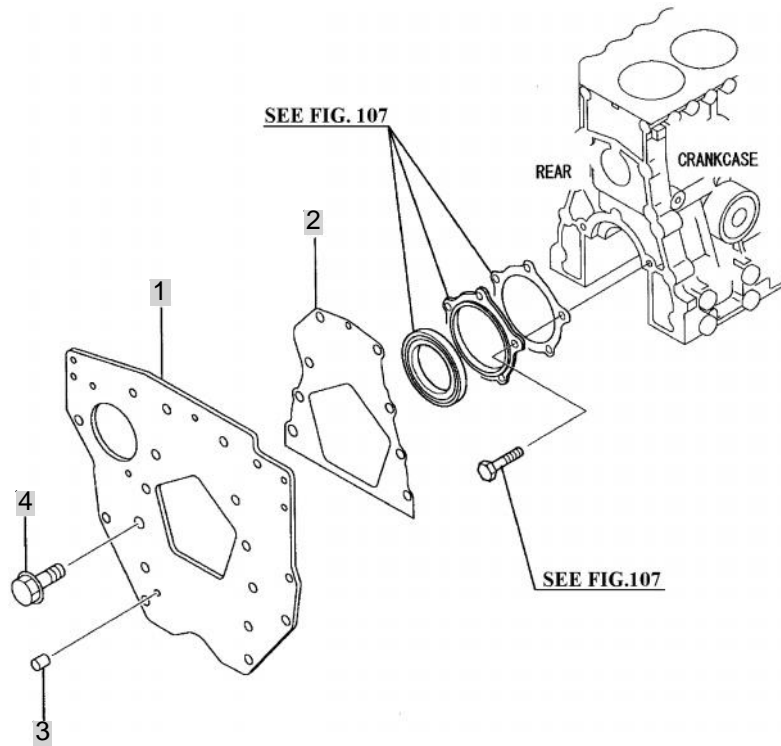
FIG 111

T233

FLYWHEEL HOUSING

년/월
Year/Month

2020.07



NOTE

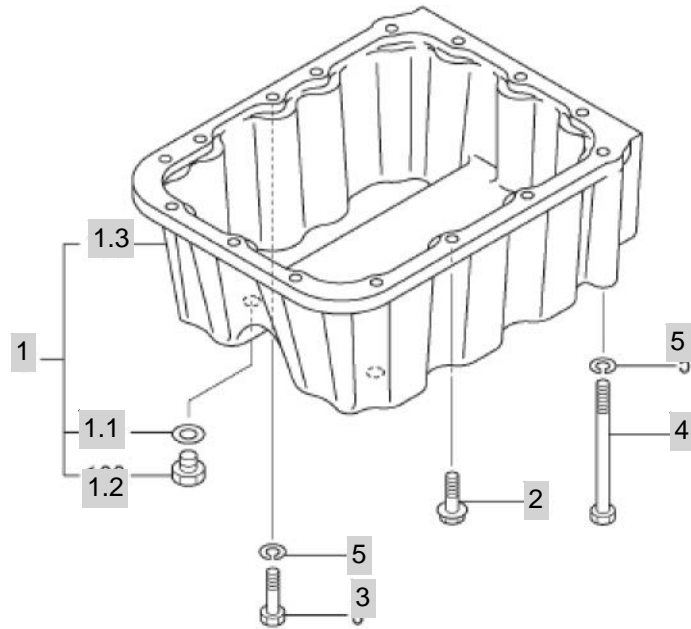
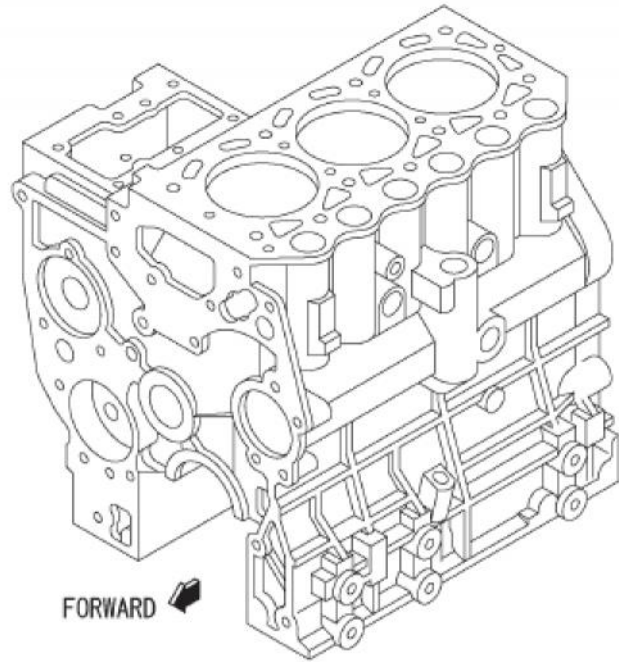
FIG 112

T233

OIL PAN

년/월
Year/Month

2020.07



NOTE

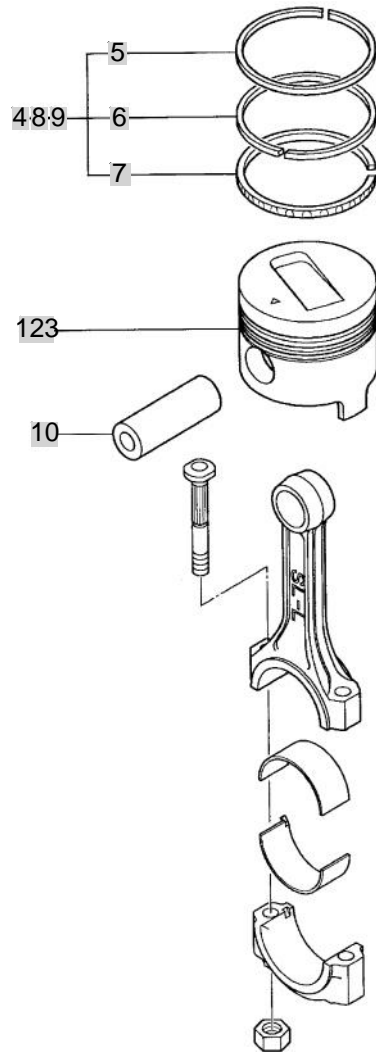
FIG 113

T233

PISTON

년/월
Year/Month

2020.07



NOTE

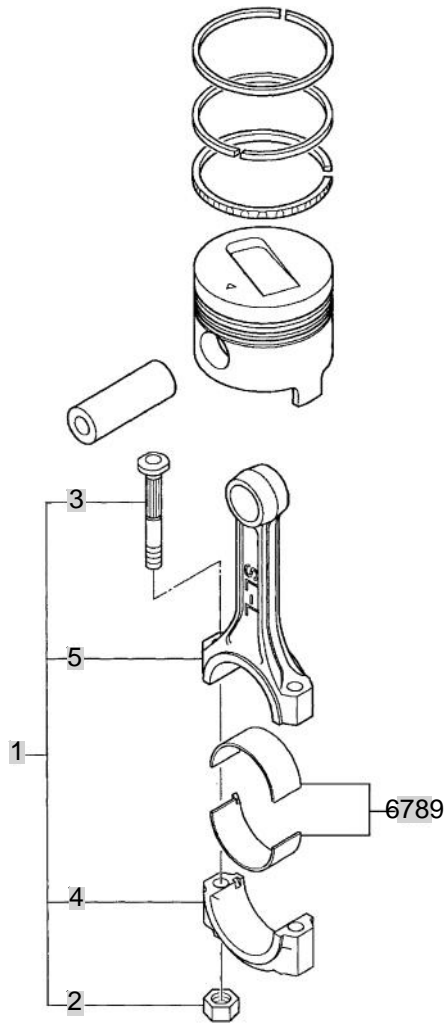
FIG 114

T233

CONNECTING-ROD

년/월
Year/Month

2020.07



NOTE

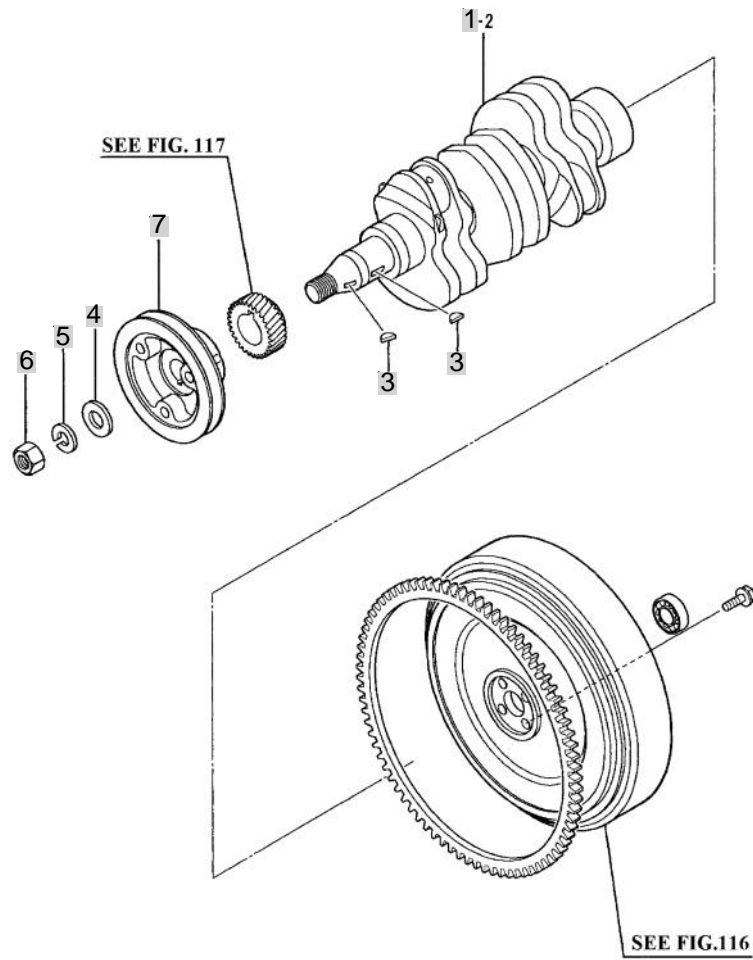
FIG 115

T233

CRANKSHAFT & PULLEY

년/월
Year/Month

2020.07



NOTE

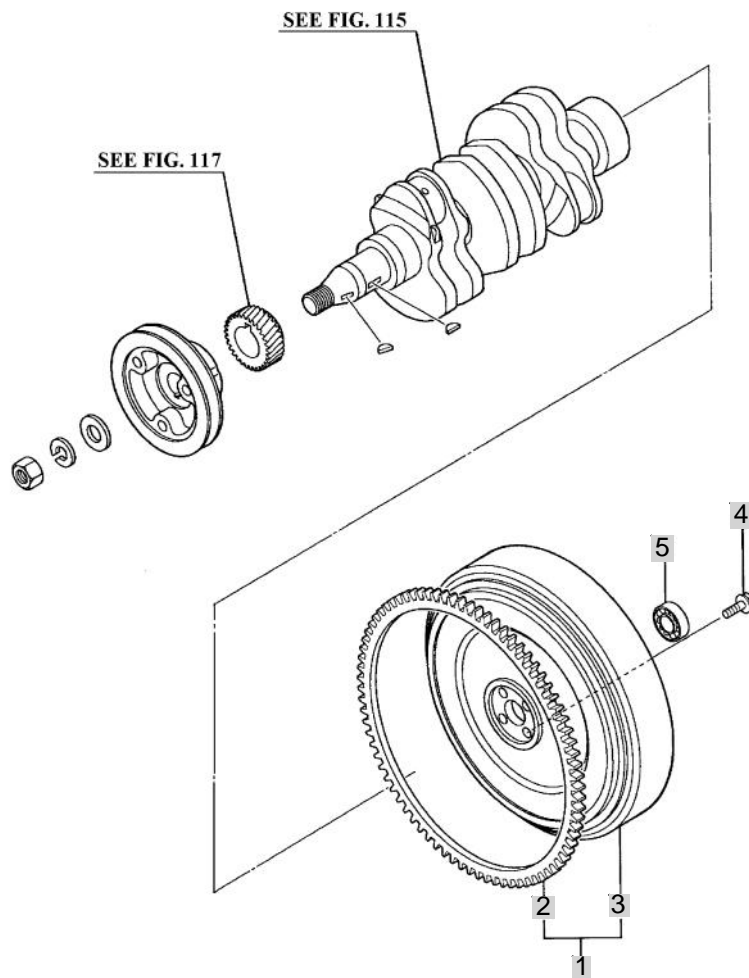
FIG 116

T233

FLYWHEEL

년/월
Year/Month

2020.07



NOTE

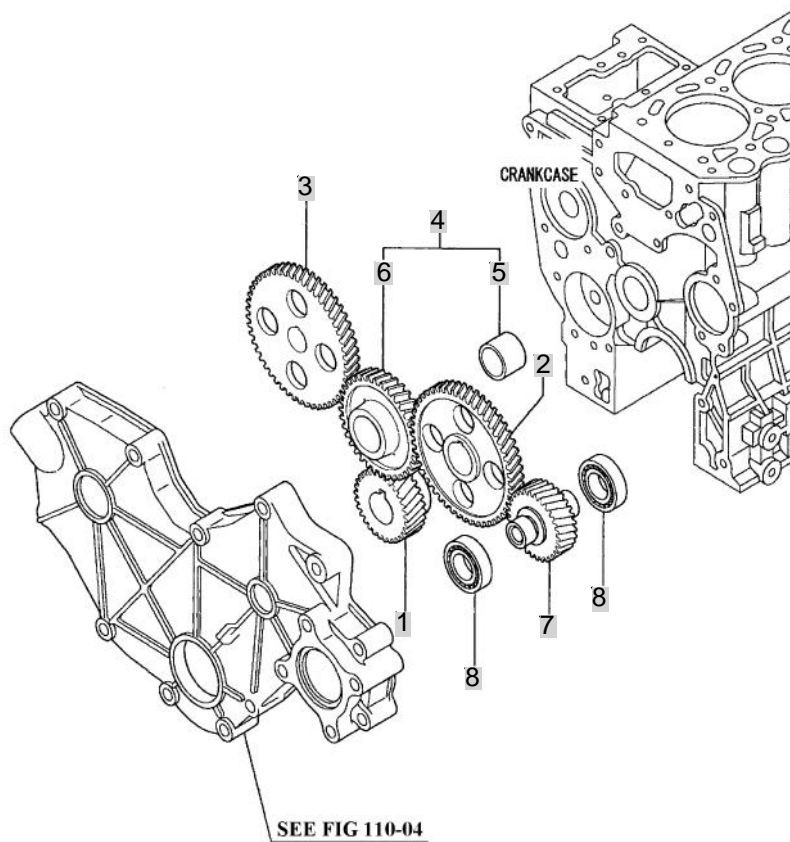
FIG 117

T233

TIMING GEAR

년/월
Year/Month

2020.07



NOTE

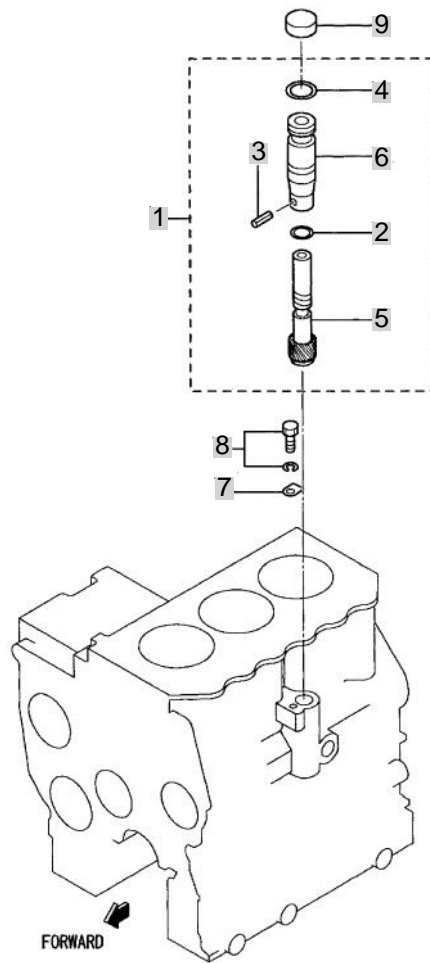
FIG 118

T233

TACHO DRIVE

년/월
Year/Month

2020.07



NOTE

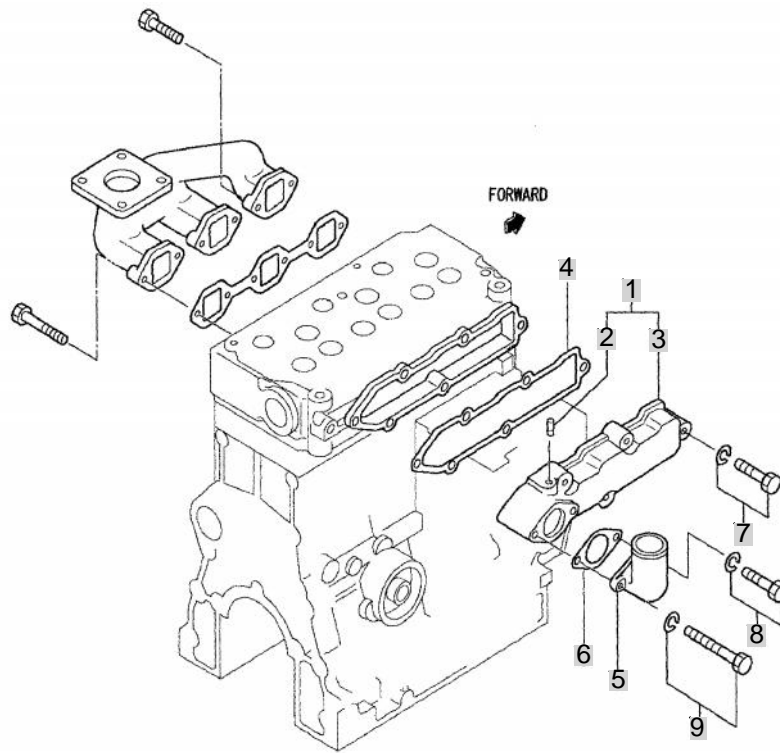
FIG 119

T233

INLET SYSTEM

년/월
Year/Month

2020.07



NOTE

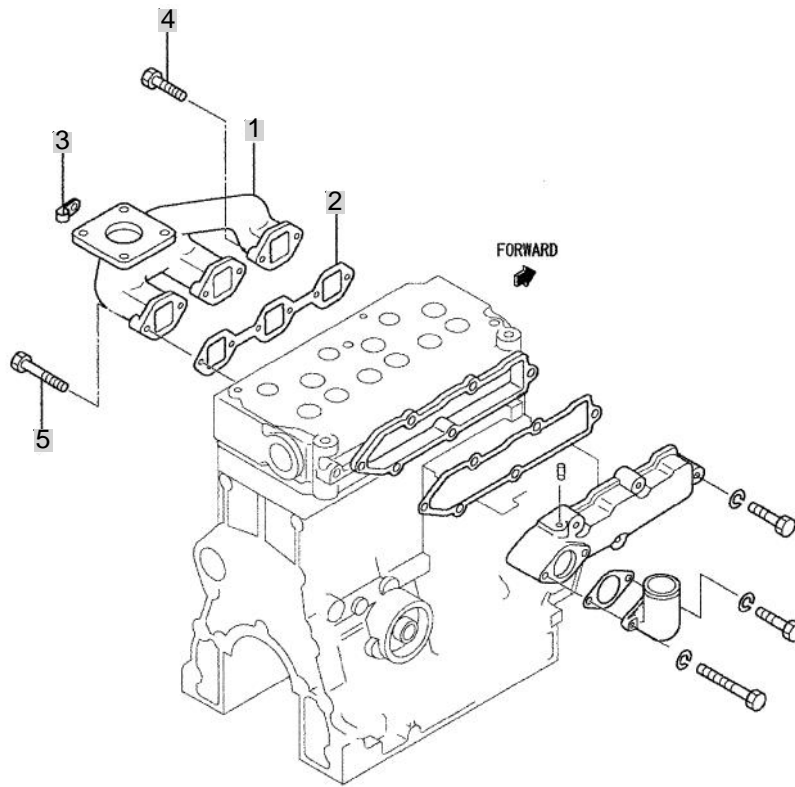
FIG 120

T233

EXHAUST SYSTEM

년/월
Year/Month

2020.07



NOTE

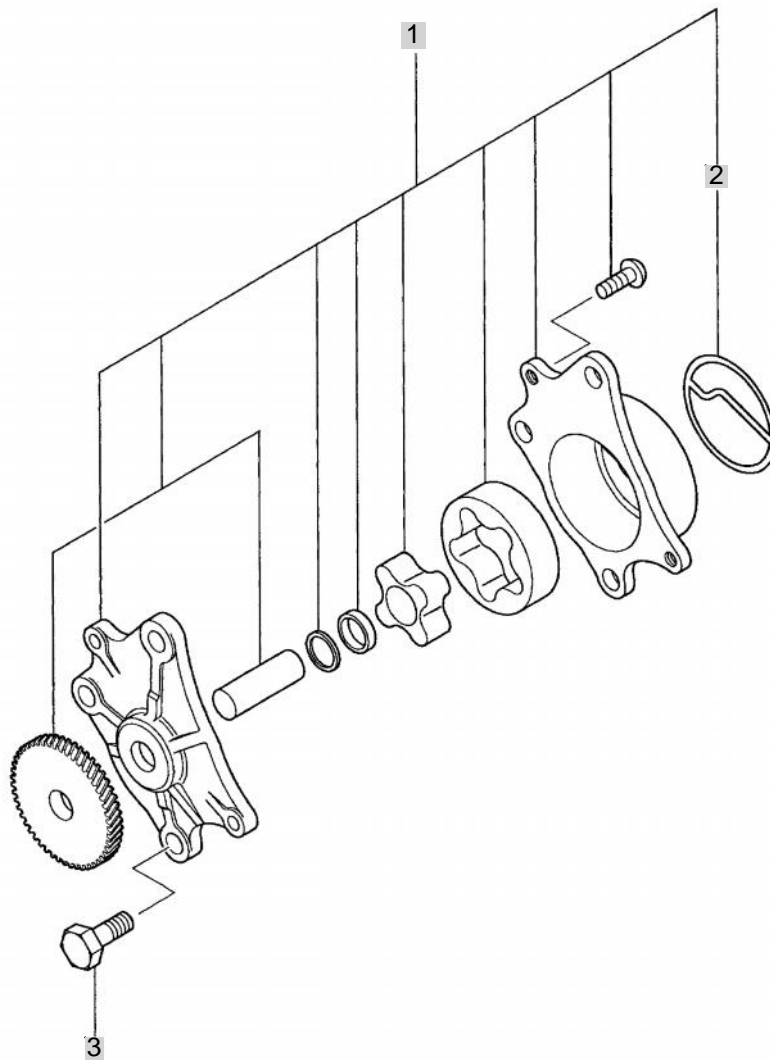
FIG 121

T233

OIL PUMP

년/월
Year/Month

2020.07



NOTE

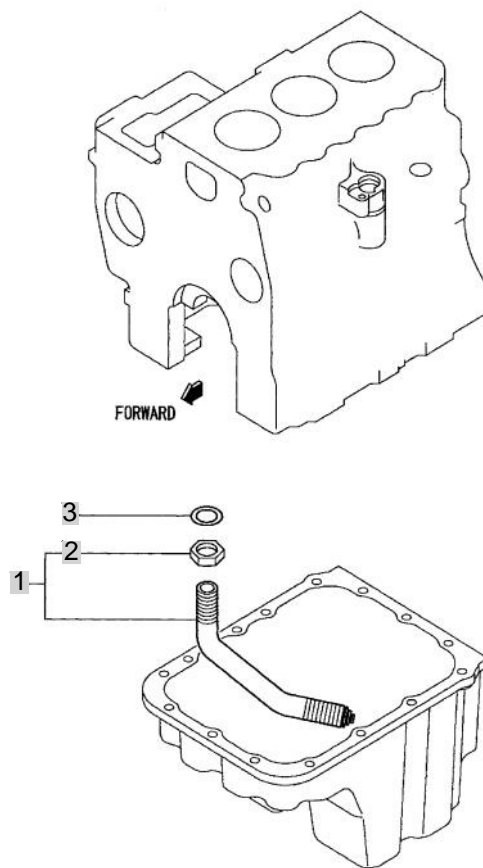
FIG 122

T233

OIL STRAINER

년/월
Year/Month

2020.07



NOTE

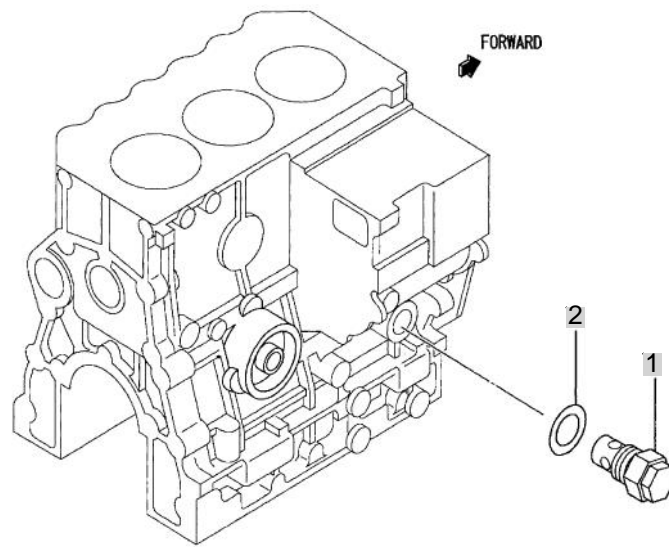
FIG 123

T233

OIL SYSTEM

년/월
Year/Month

2020.07



NOTE

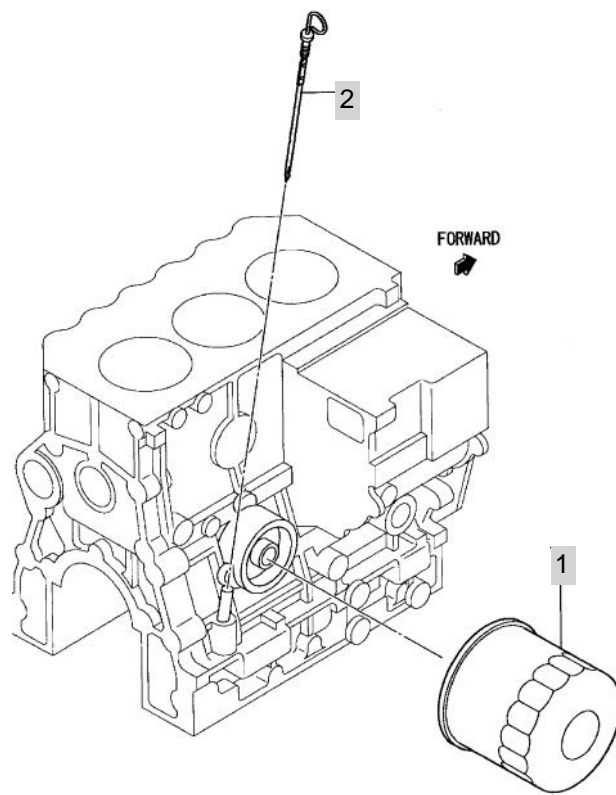
FIG 124

T233

OIL FILTER & GAGE

년/월
Year/Month

2020.07



NOTE

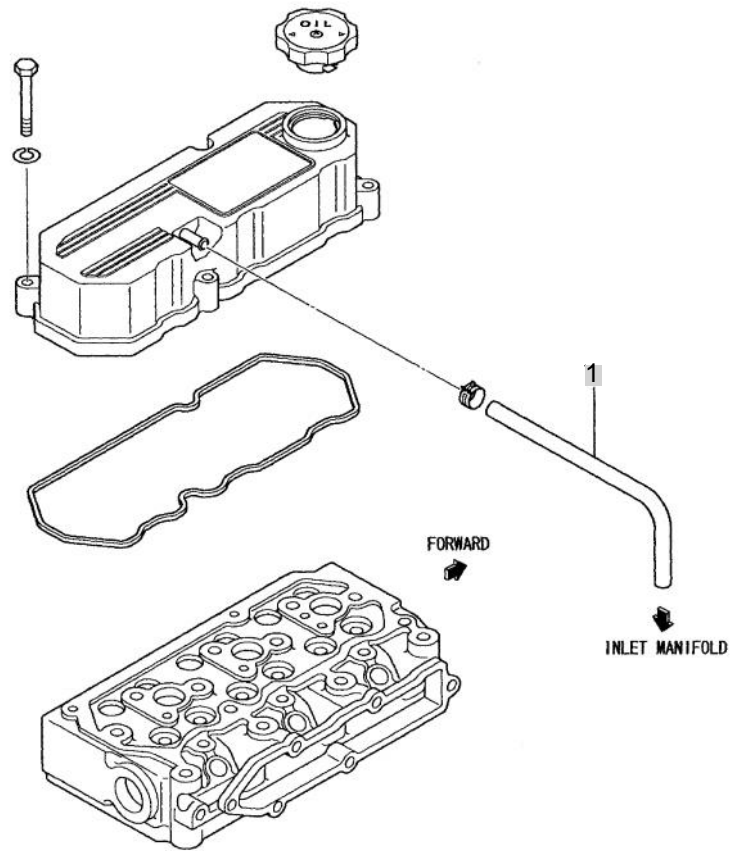
FIG 125

T233

BREATHER

년/월
Year/Month

2020.07



NOTE

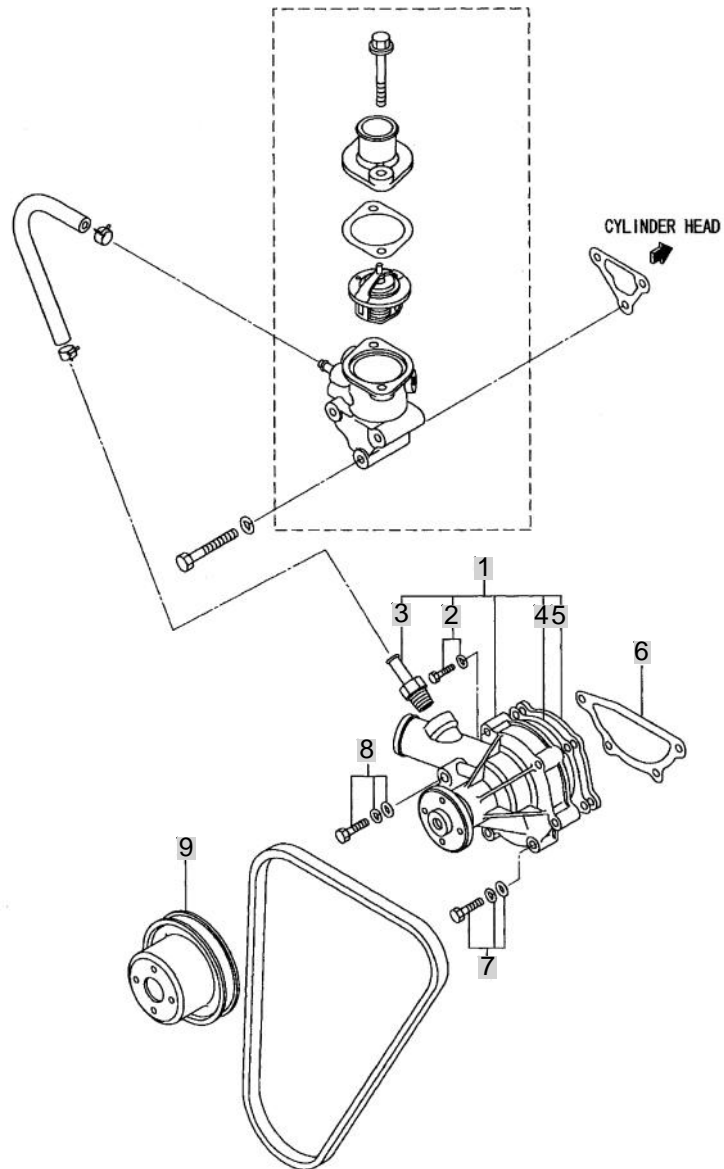
FIG 126

T233

WATER PUMP & PULLEY

년/월
Year/Month

2020.07



NOTE

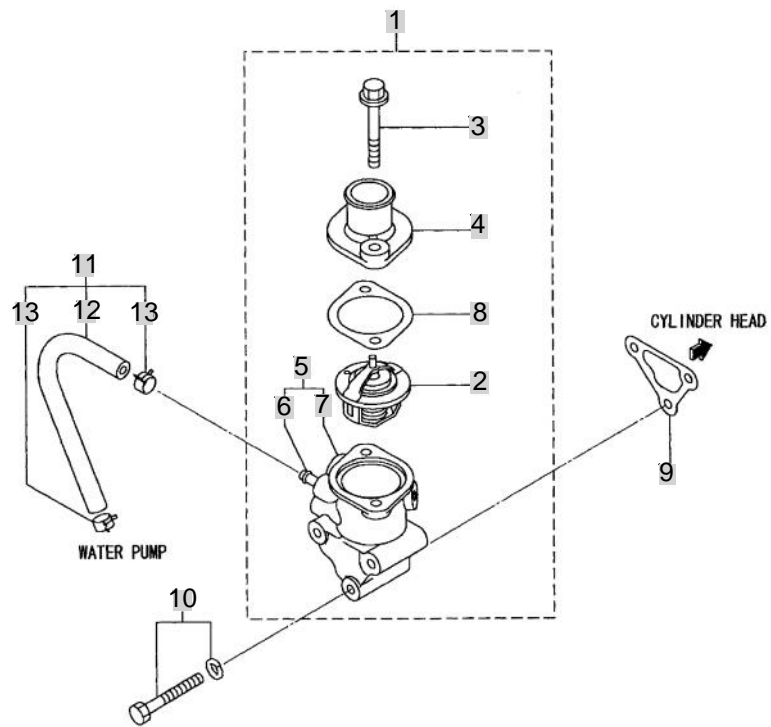
FIG 127

T233

COOLING SYSTEM

년/월
Year/Month

2020.07



NOTE

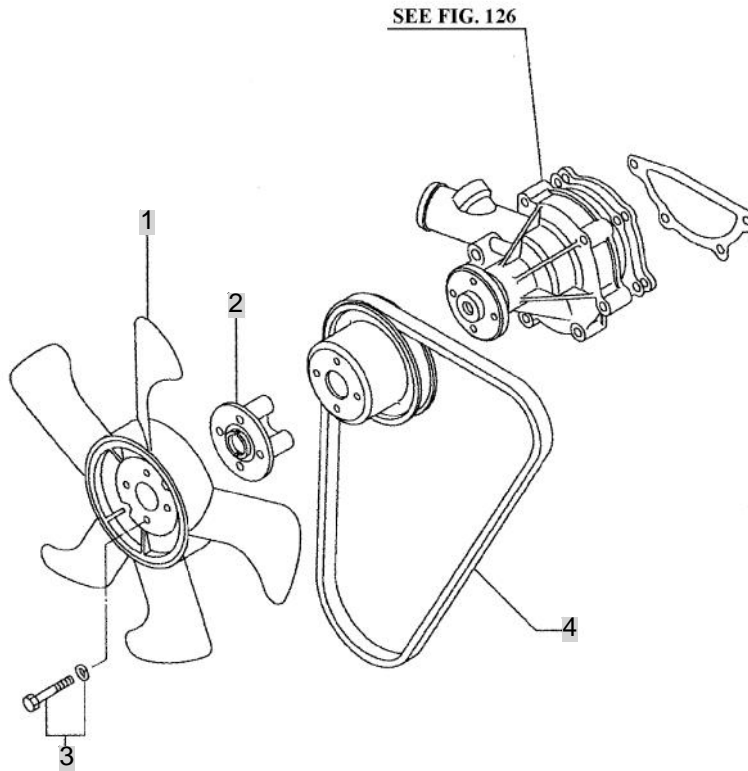
FIG 128

T233

FAN & V-BELT

년/월
Year/Month

2020.07



NOTE

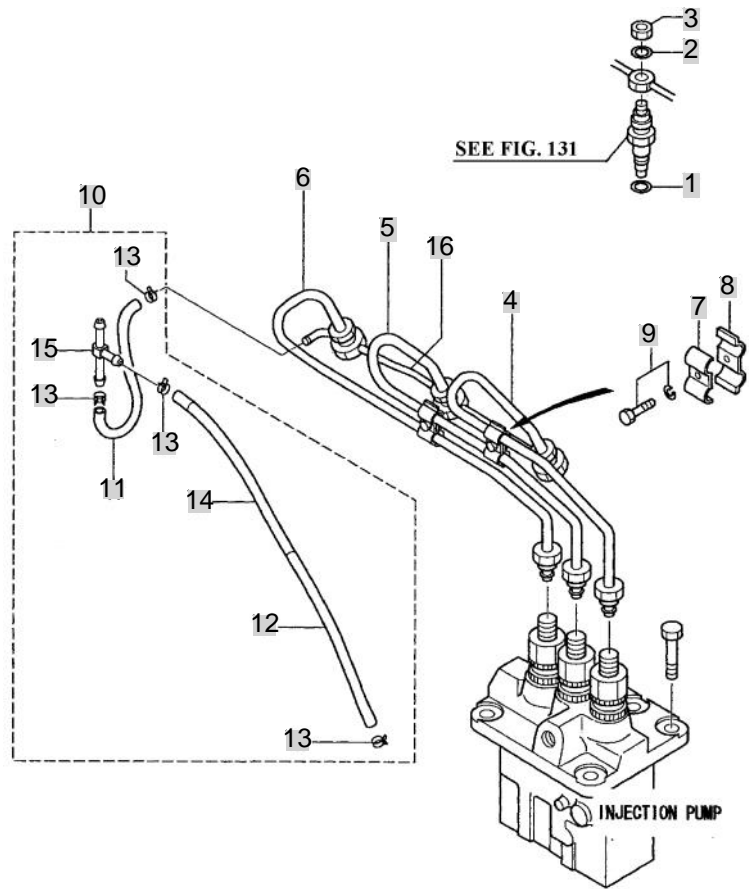
FIG 130

T233

FUEL SYSTEM

년/월
Year/Month

2020.07



NOTE

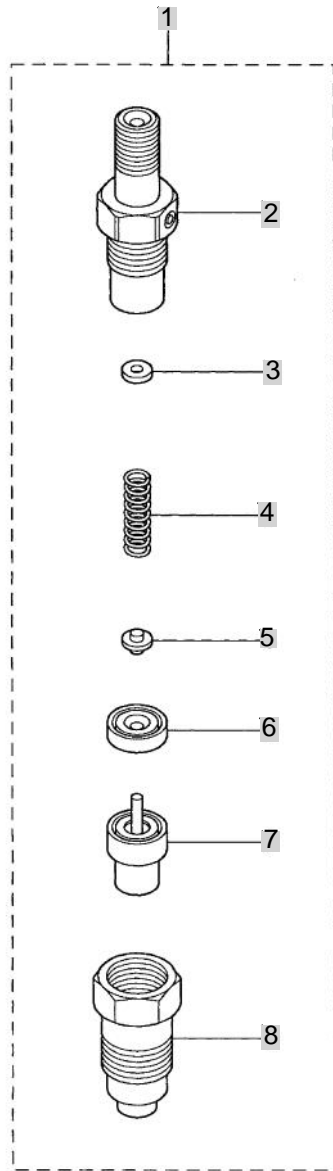
FIG 131

T233

NOZZLE & NOZZLE HOLDER

년/월
Year/Month

2020.07



NOTE

FIG 131 T233		NOZZLE & NOZZLE HOLDER					년/월 Year/Month	
							2020.07	
KEY NO	PART NO	DESCRIPTION	SPEC	QTY	REPAIR	EFFECTIVE DATE	REMARKS	
131	1	MM435-94101	NOZZLE & HOLDER ASSY	093500-3840 DEN		3		
131	2	09311-03840	BODY SUB ASSY			3		
131	3	09317-51810	WASHER	T=1.25		AR		
131	4	09312-70310	SPRING , PRESSURE			3		
131	5	09312-10380	PIN , PRESSURE			3		
131	6	09317-40070	PIECE , PRESSURE			3		
131	7	09340-05060	NOZZLE ASSY			3		
131	8	09316-41351	NUT , NOZZLE RETAINING			3		
NOTE								

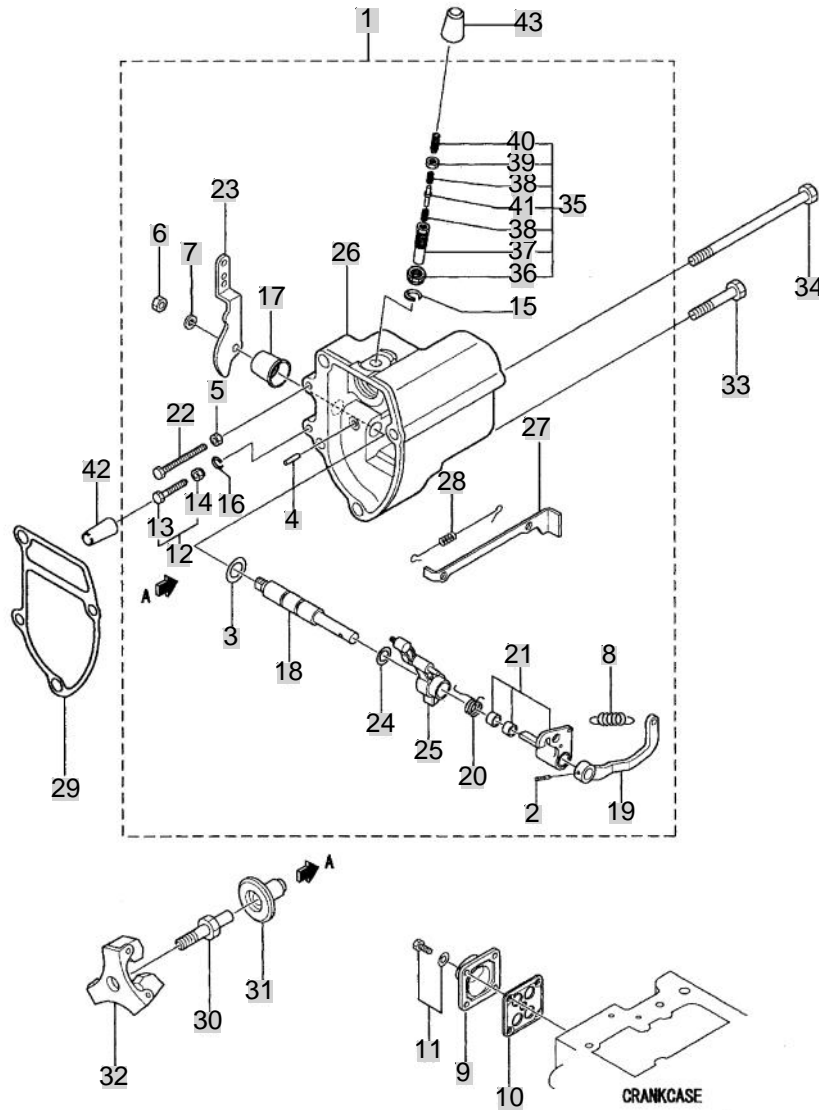
FIG 133

GOVERNOR

년/월
Year/Month

2020.07

T233



NOTE

FIG 133 T233		GOVERNOR					년/월 Year/Month	
							2020.07	
KEY NO	PART NO	DESCRIPTION	SPEC	QTY	REPAIR	EFFECTIVE DATE	REMARKS	
133	1	31B63-05070	CASE ASSY , GOVERNOR		1			
133	2	F2850-03020	PIN,SPRING		1			
133	3	F3150-01010	O-RING		1			
133	4	K8712630	PIN,GROOVED		1			
133	5	MF430004	NUT		1			
133	6	MF430725	NUT,JAM		1			
133	7	MF450405	WASHER,SPRING		1			
133	8	MM433673	SPRING , GOVERNOR		1			
133	9	MM435288	OIL INLET		1			
133	10	MM435249	PROTECTOR,OIL INLET		1	B		
133	11	F1805-06018	BOLT , W / WASHER		4			
133	12	30L63-00030	BOLT ASSY,HIGH SPEED		1			
133	13	30L63-02100	BOLT , HIGH SPEED SET		1			
133	14	30L63-02300	NUT , HIGHT SPEED SET		1			
133	15	30L63-00700	C-RING,TORQUE SET		1			
133	16	30L63-02600	C-RING,HIGH SPEED		1			
133	17	31A63-01800	COVER,GOVERNOR		1			
133	18	31A63-02600	SHAFT,GOVERNOR		1			
133	19	31A63-02700	LEVER,GOV SPRING		1			
133	20	31A63-05300	SPRING,START		1			
133	21	31A63-05400	LEVER ASSY ,TENSION		1			
133	22	31A63-07900	BOLT , LOW IDLE SET		1			
133	23	31A63-11301	LEVER,SPEED CONTROL		1			
133	24	31A63-15200	SHIM,GOVERNOR SHAFT		1			
133	25	31A63-15500	LEVER ASSY,GOVERNOR		1			
133	26	31A63-22100	CASE,GOVERNOR		1			
133	27	31B63-00400	TIE-ROD		1			
133	28	31B63-00500	SPRING , TIE-ROD		1			
133	29	31A63-12201	GASKET,GOVERNOR CASE		1	B		
133	30	31A63-10305	SHAFT,SLIDING SLEEVE		1	B		
133	31	31A63-20201	SLEEVE,SLIDING		1			
133	32	31A63-11061	WEIGHT ASSY,GOVERNOR		1			
133	33	F1035-08045	BOLT		3			
133	34	31A63-02300	BOLT , GOVERNOR CASE		1			
133	35	31A64-01080	SPRING SET,TORQUE		1			
133	36	30L63-00600	NUT,TORQUE SET		1			
133	37	31A64-00200	CASE,TORQUE SPRING		1			
133	38	31A64-01800	SPRING,TORQUE		2			
133	39	MD000961	NUT		1			
133	40	MD065628	SCREW,ADJUSTING		1			
133	41	MM434541	STIPPER,SPRING		1			
133	42	30L63-02400	COVER , HIGH SPEED SET		1			
133	43	31A64-00800	COVER , TORQUE SET		1			
NOTE								

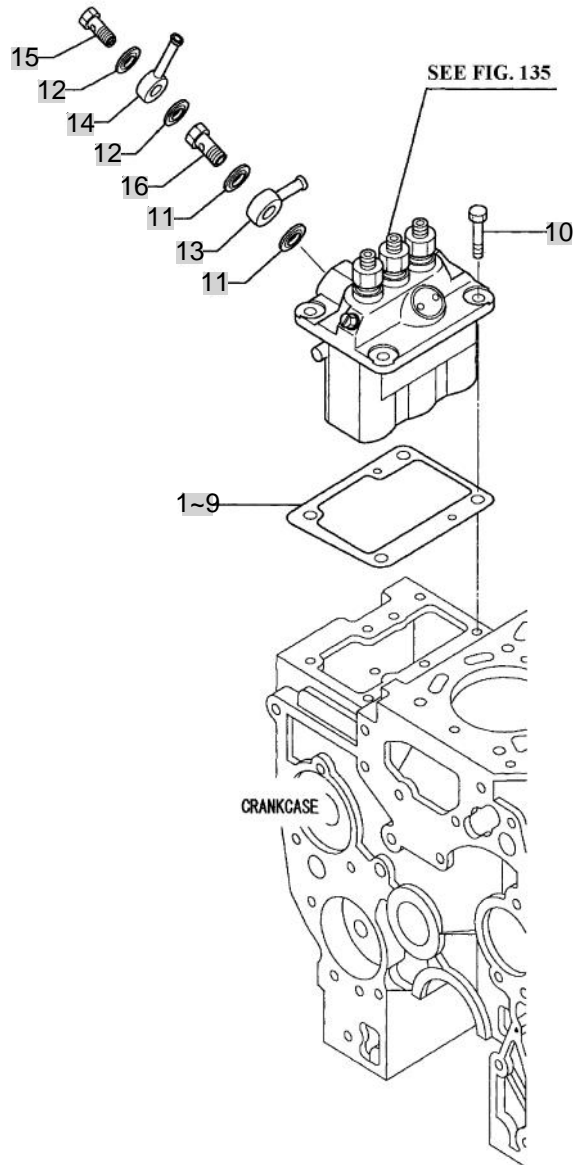
FIG 134

INJECTION PUMP

년/월
Year/Month

2020.07

T233



NOTE

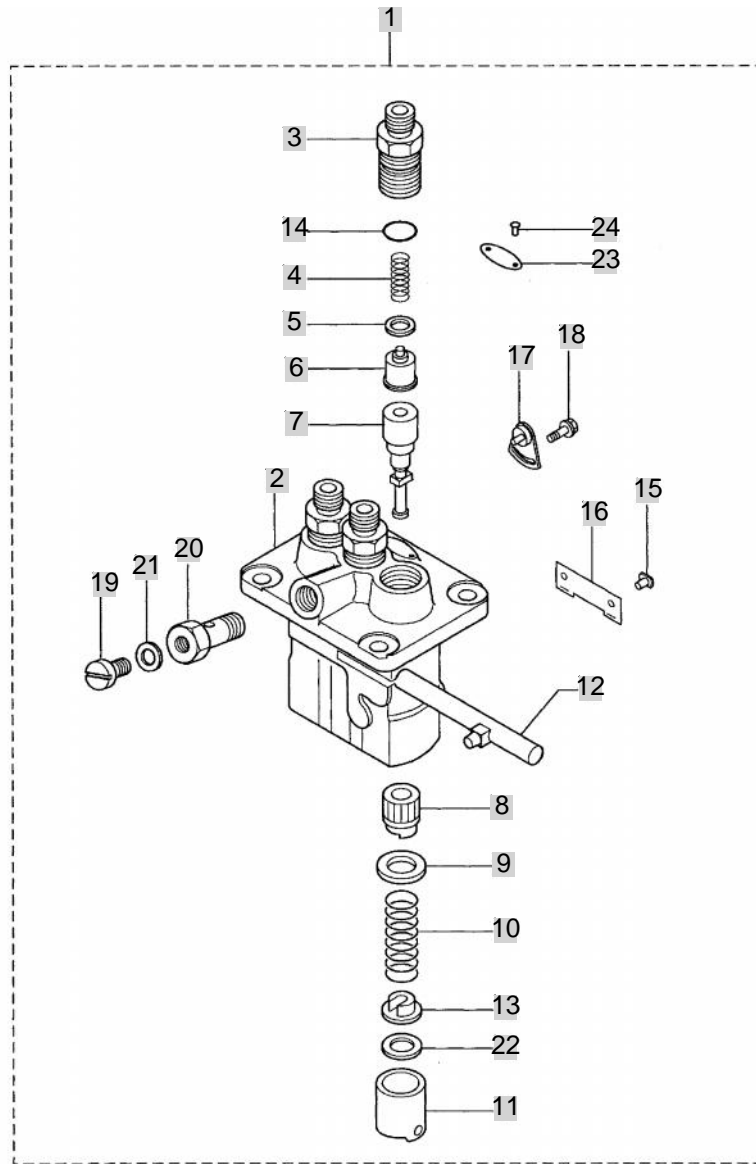
FIG 135

T233

INJECTION PUMP

년/월
Year/Month

2020.07



NOTE

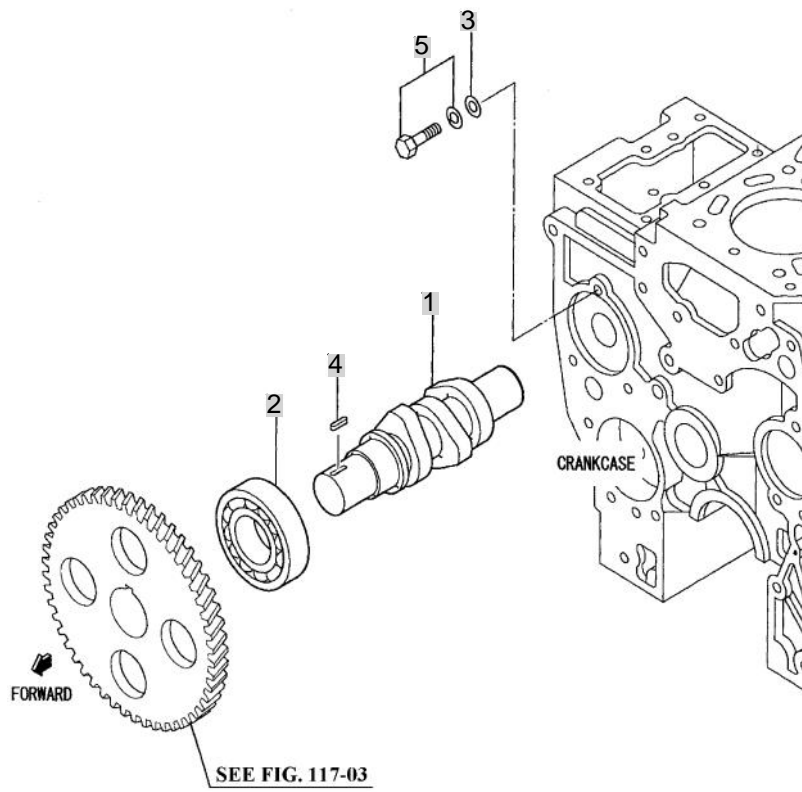
FIG 136

T233

FUEL INJECTION PUMP DRIVE

년/월
Year/Month

2020.07



NOTE

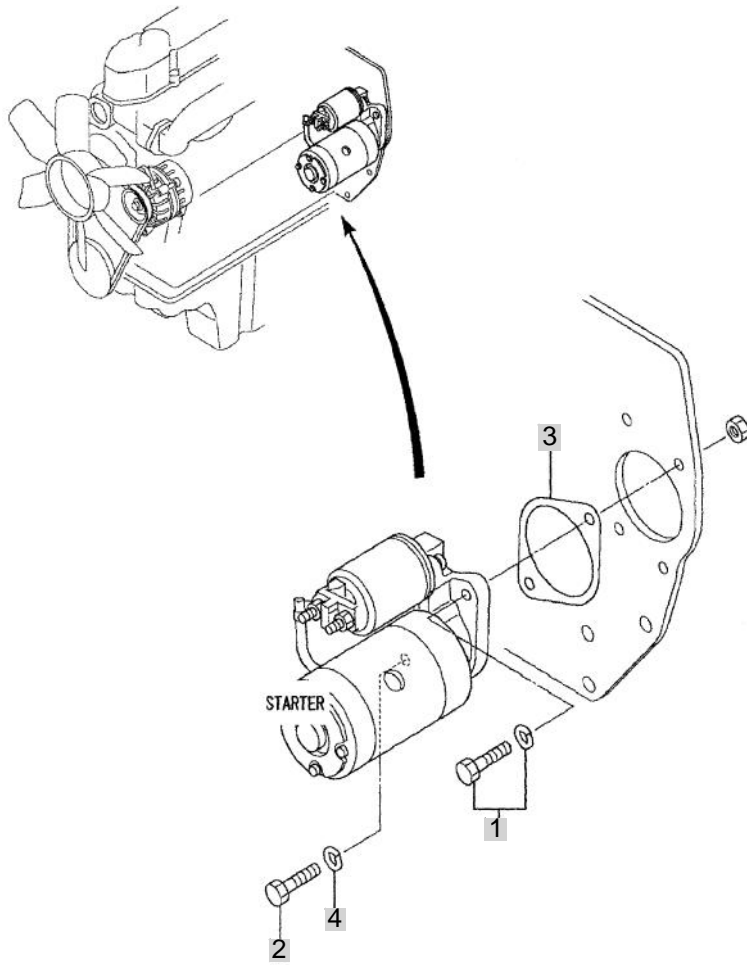
FIG 137

T233

STARTER

년/월
Year/Month

2020.07



NOTE

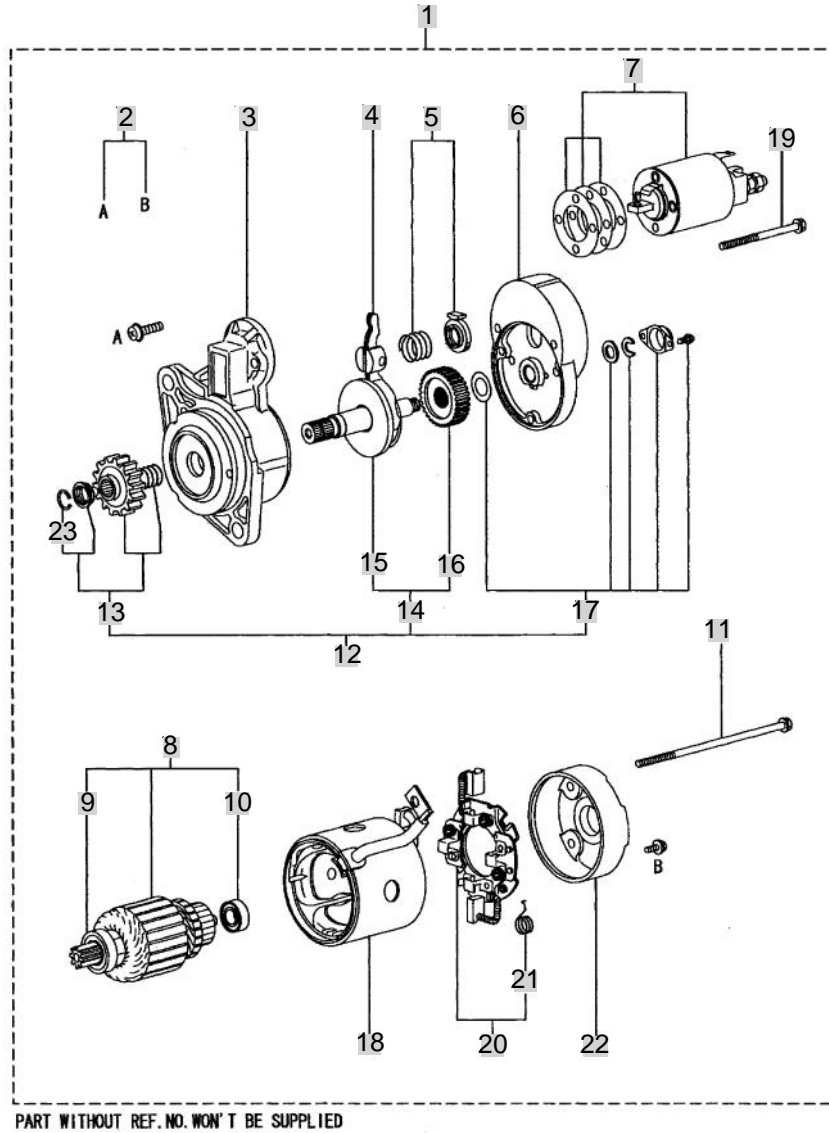
FIG 138

STARTER(12V-1.6KW)

년/월
Year/Month

2020.07

T233



NOTE

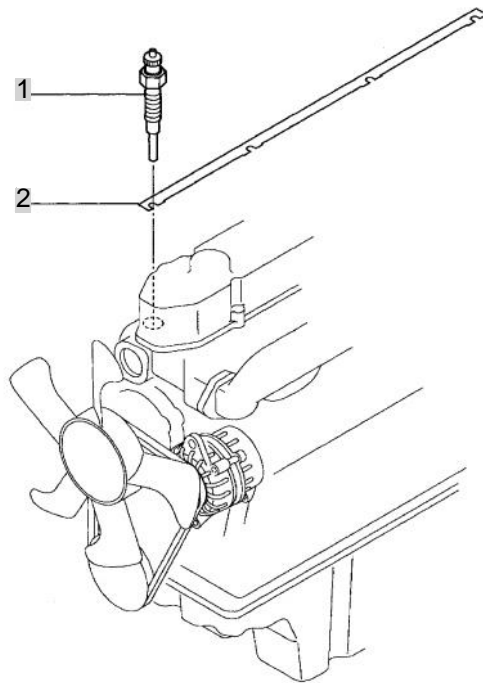
FIG 139

T233

GLOW PLUG

년/월
Year/Month

2020.07



NOTE

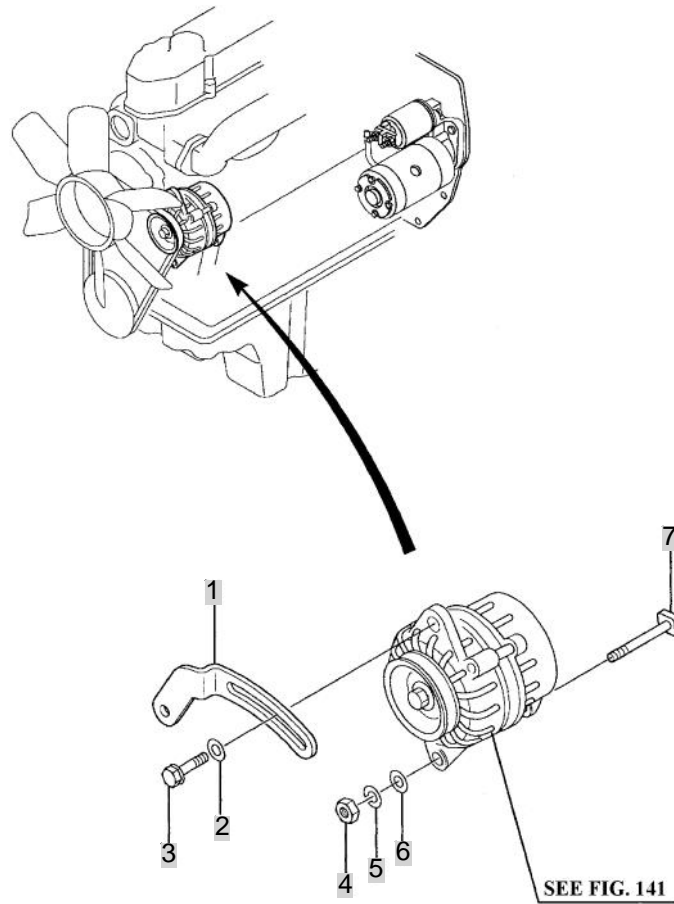
FIG 140

T233

ALTERNATOR

년/월
Year/Month

2020.07



NOTE

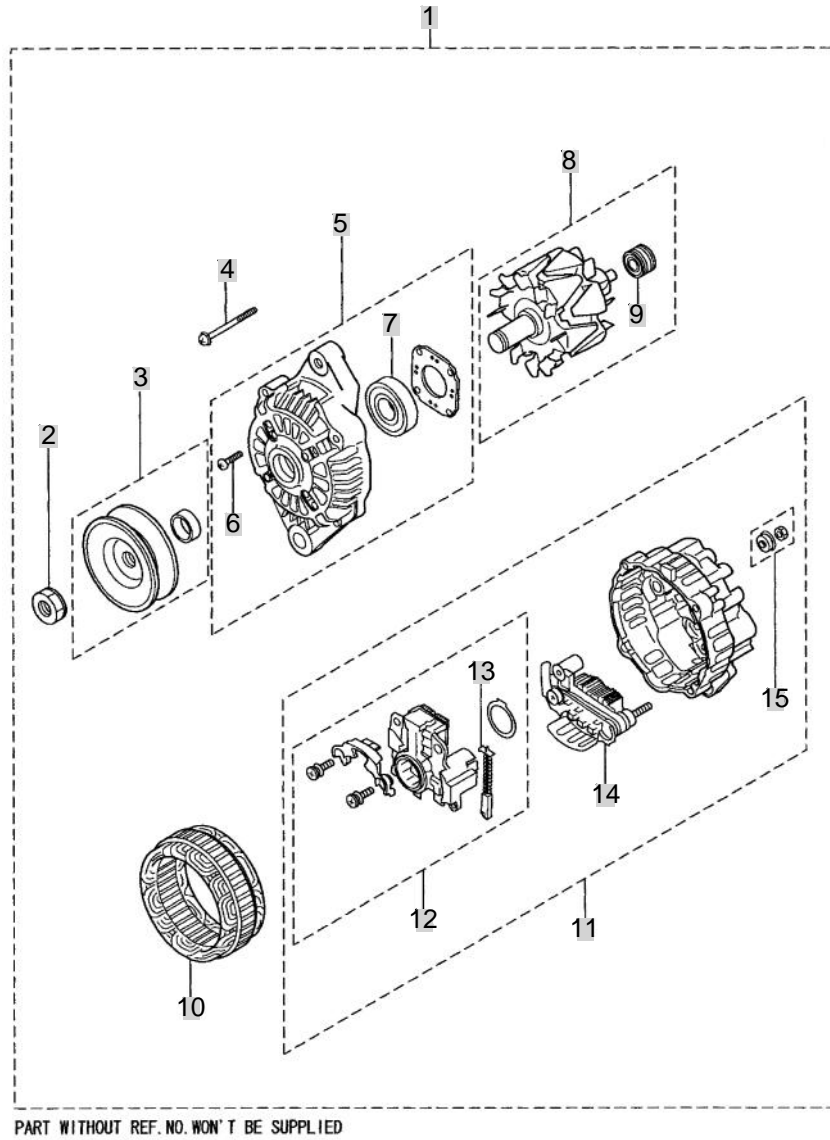
FIG 141

ALTERNATOR(12V-50A)

년/월
Year/Month

2020.07

T233



NOTE

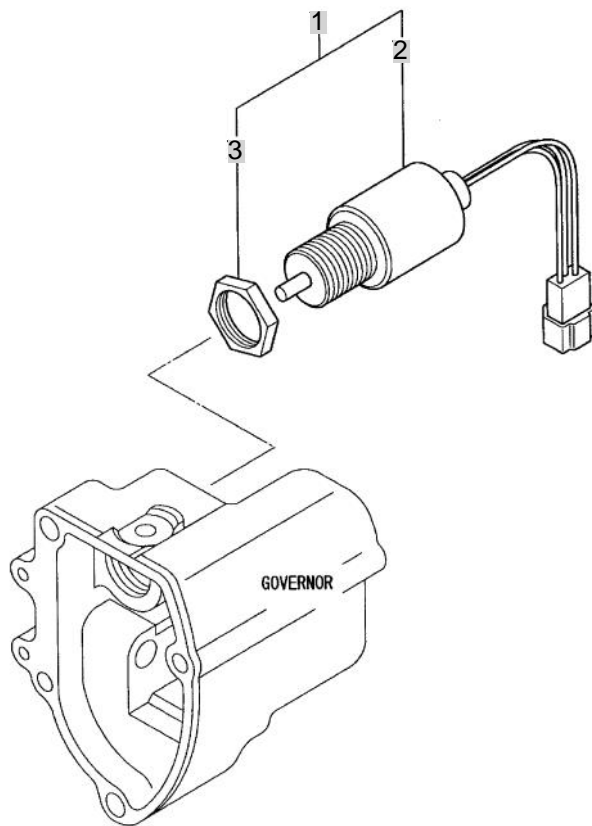
FIG 142

T233

ENGINE CONTROL

년/월
Year/Month

2020.07



NOTE

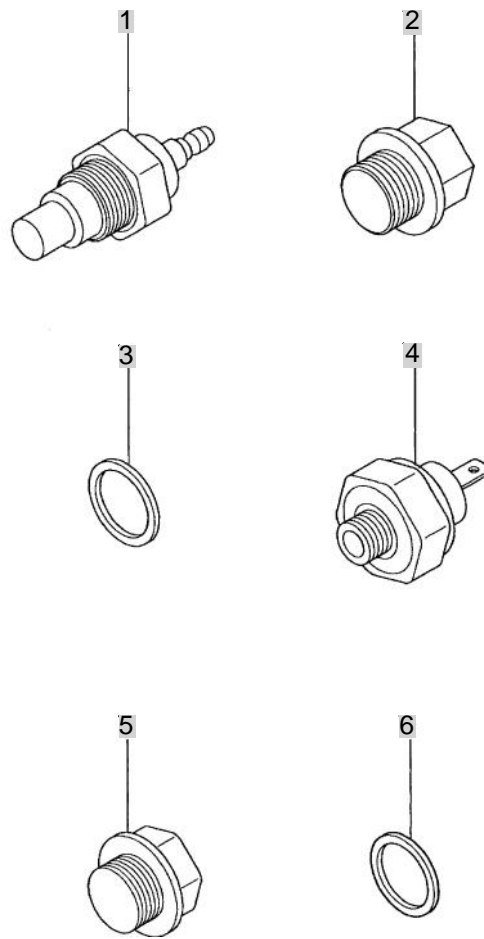
FIG 143

T233

INSTRUMENT

년/월
Year/Month

2020.07



NOTE

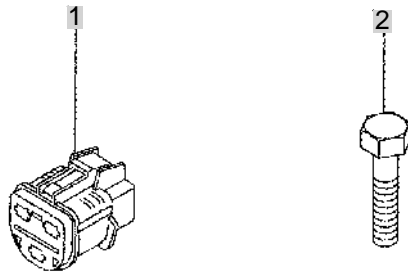
FIG 144

T233

ACCESSORY

년/월
Year/Month

2020.07



NOTE

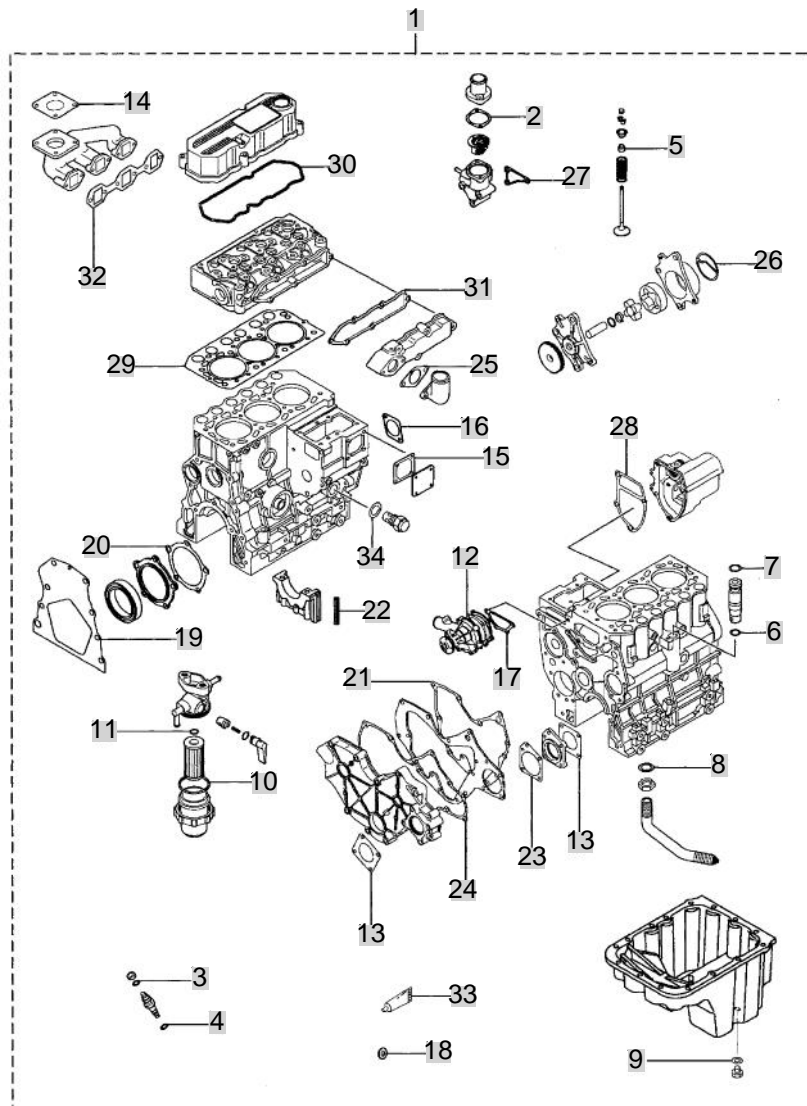
FIG 145

T233

OVERHAUL GASKET KIT

년/월
Year/Month

2020.07



NOTE

Z. ENGINE ACCESSORIES & CONTROL PART NO. 1233-E-C2

FIG 201 AIR CLEANER	95
FIG 202 RADIATOR	97
FIG 203 MUFFLER	99
FIG 204 FUEL TANK & FUEL LINE	101
FIG 205 ACCELERATOR	103
FIG 206 OIL COOLER	105
FIG 207 FUEL PUMP & FILTER	107

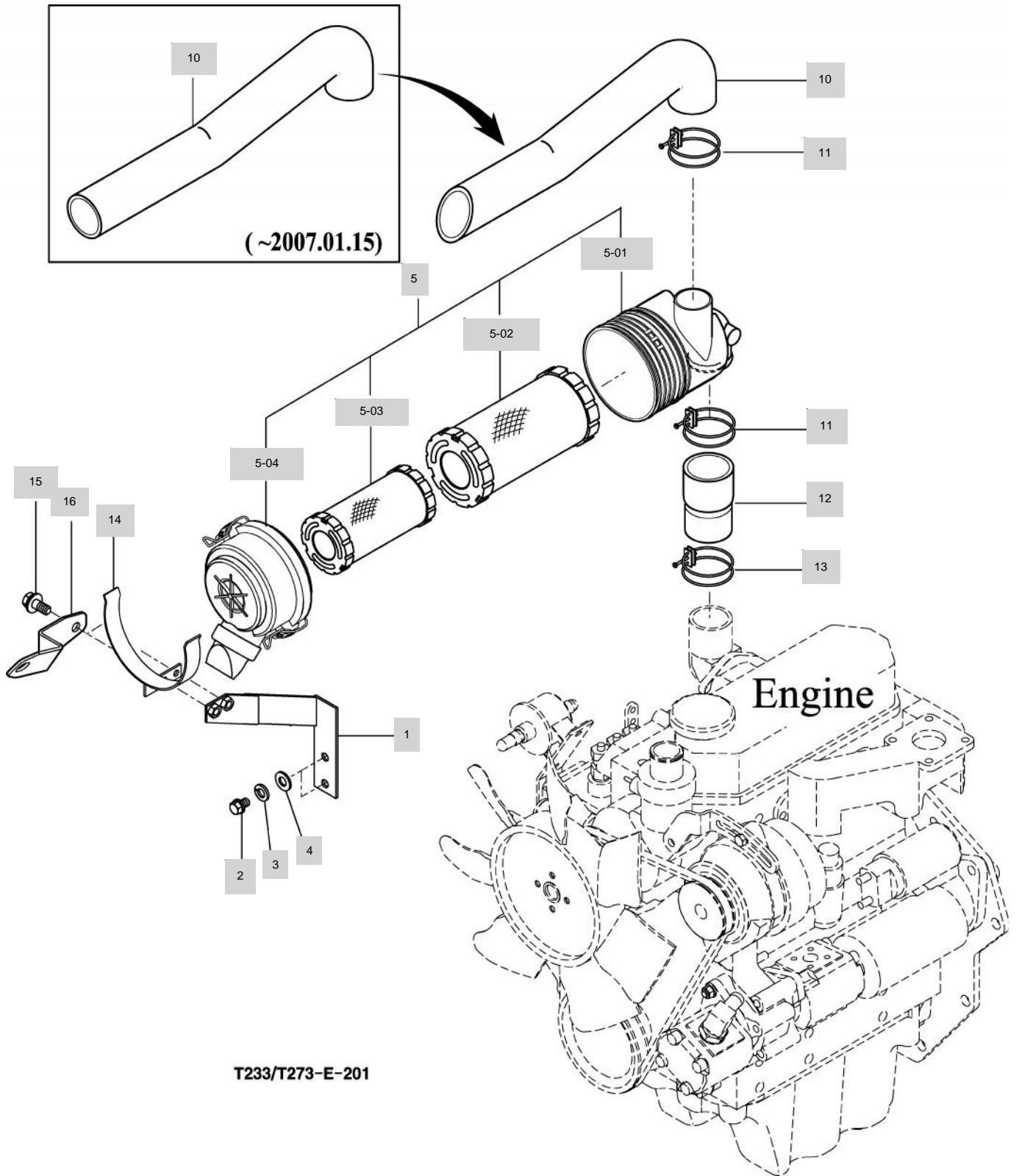
FIG 201

AIR CLEANER

년/월
Year/Month

T233

2020.07



T233/T273-E-201

NOTE

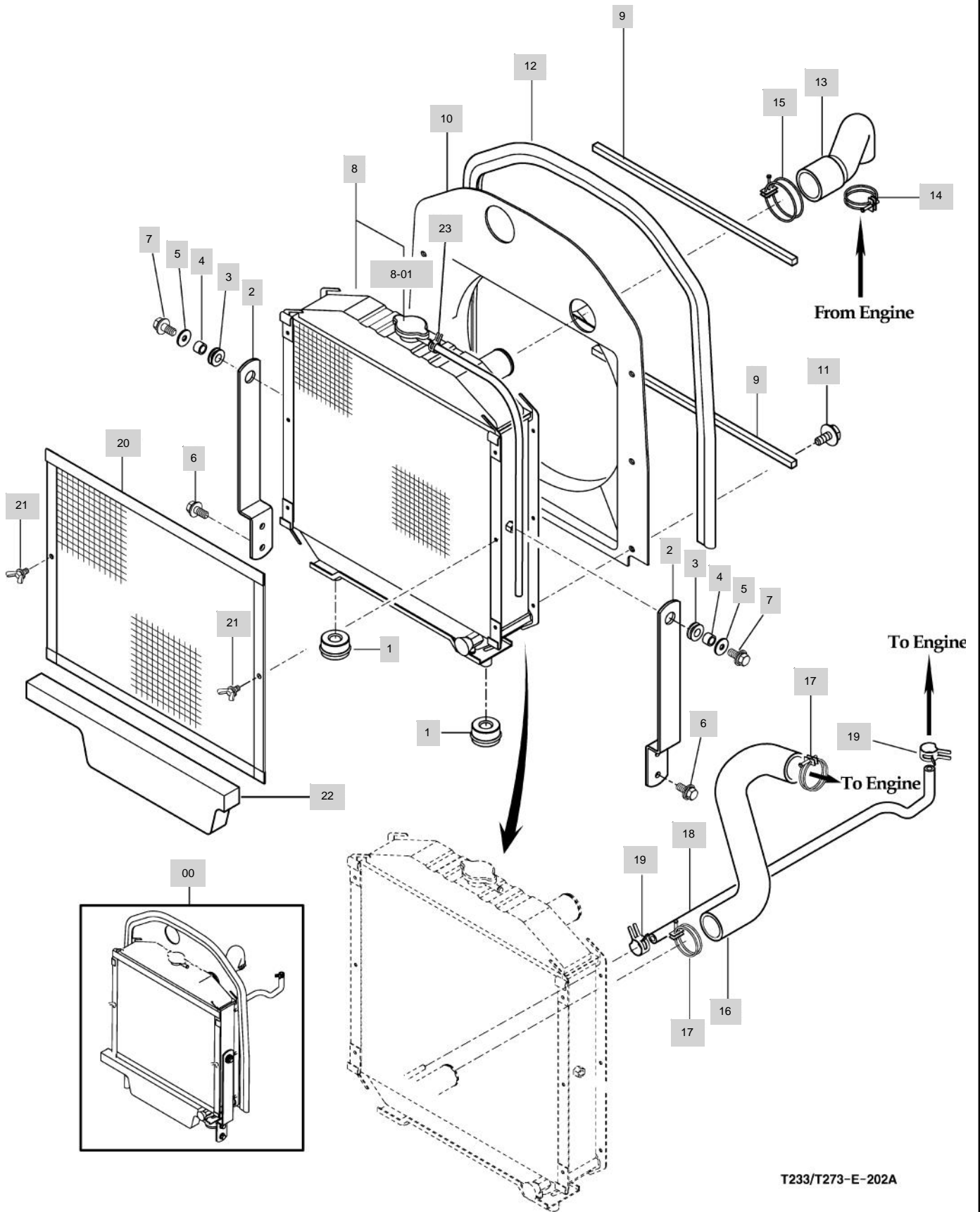
FIG 202

T233

RADIATOR

년/월
Year/Month

2020.07



T233/T273-E-202A

NOTE

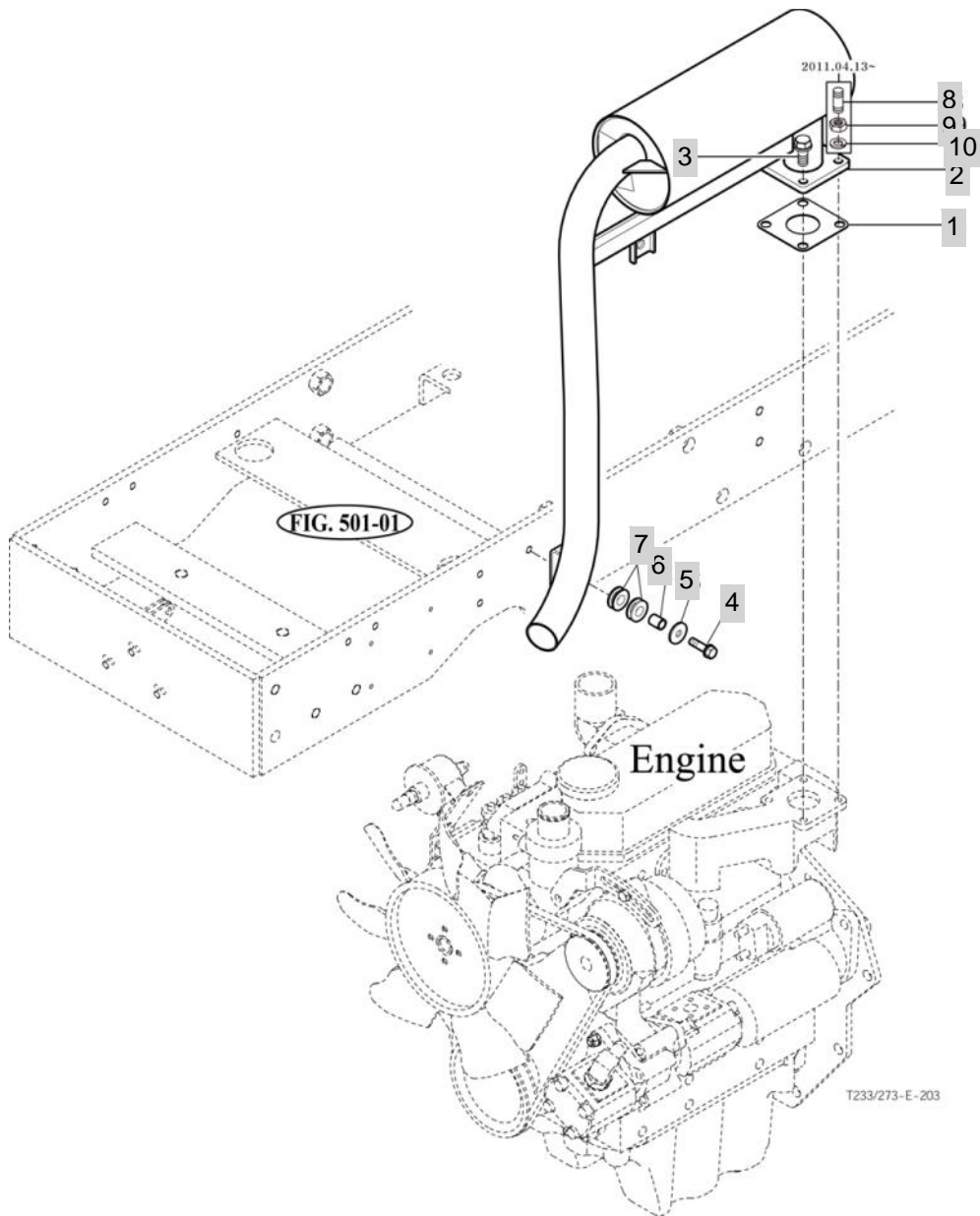
FIG 203

T233

MUFFLER

년/월
Year/Month

2020.07



NOTE

FIG 204

FUEL TANK & FUEL LINE

년/월
Year/Month

2020.07

T233

(Engine VIEW-LIFT)

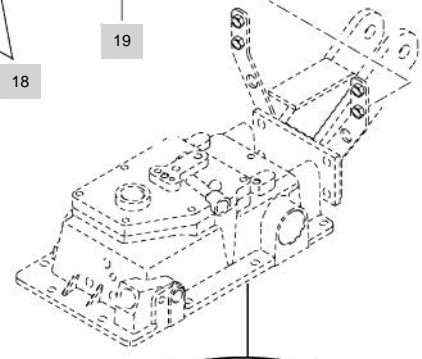
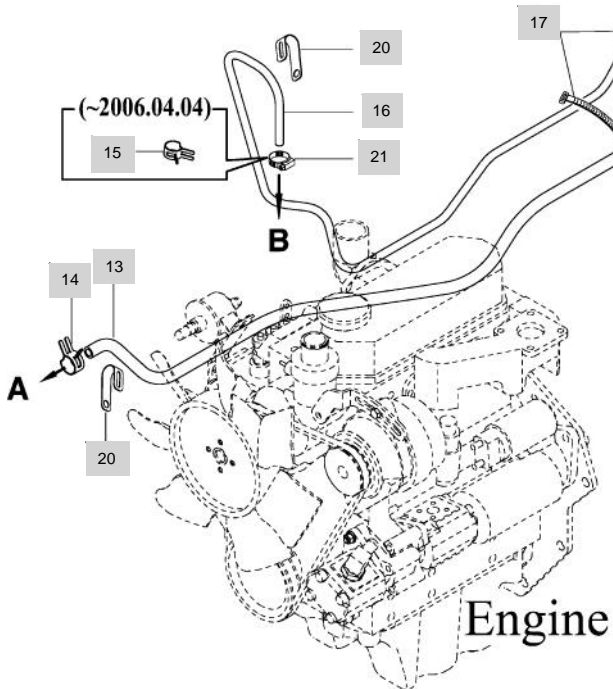
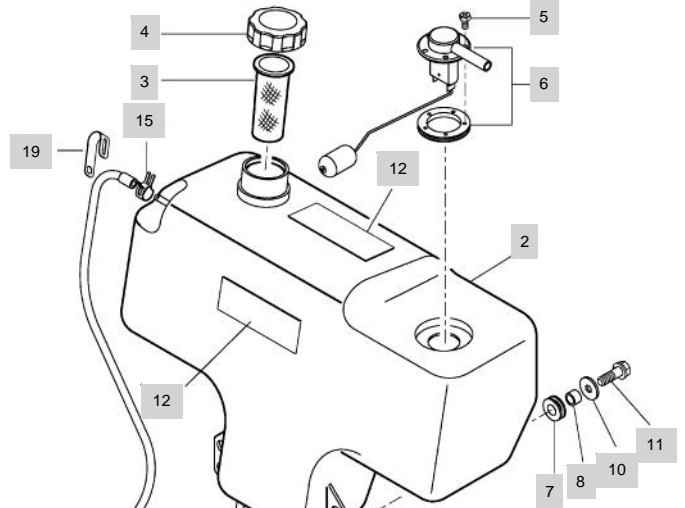
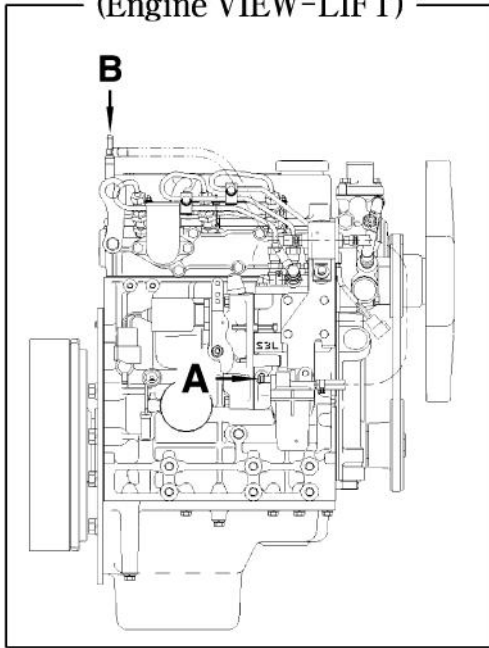
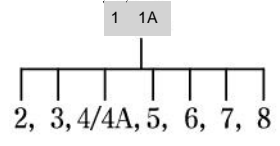


FIG. 601-01



T233/T273-E-204B

NOTE

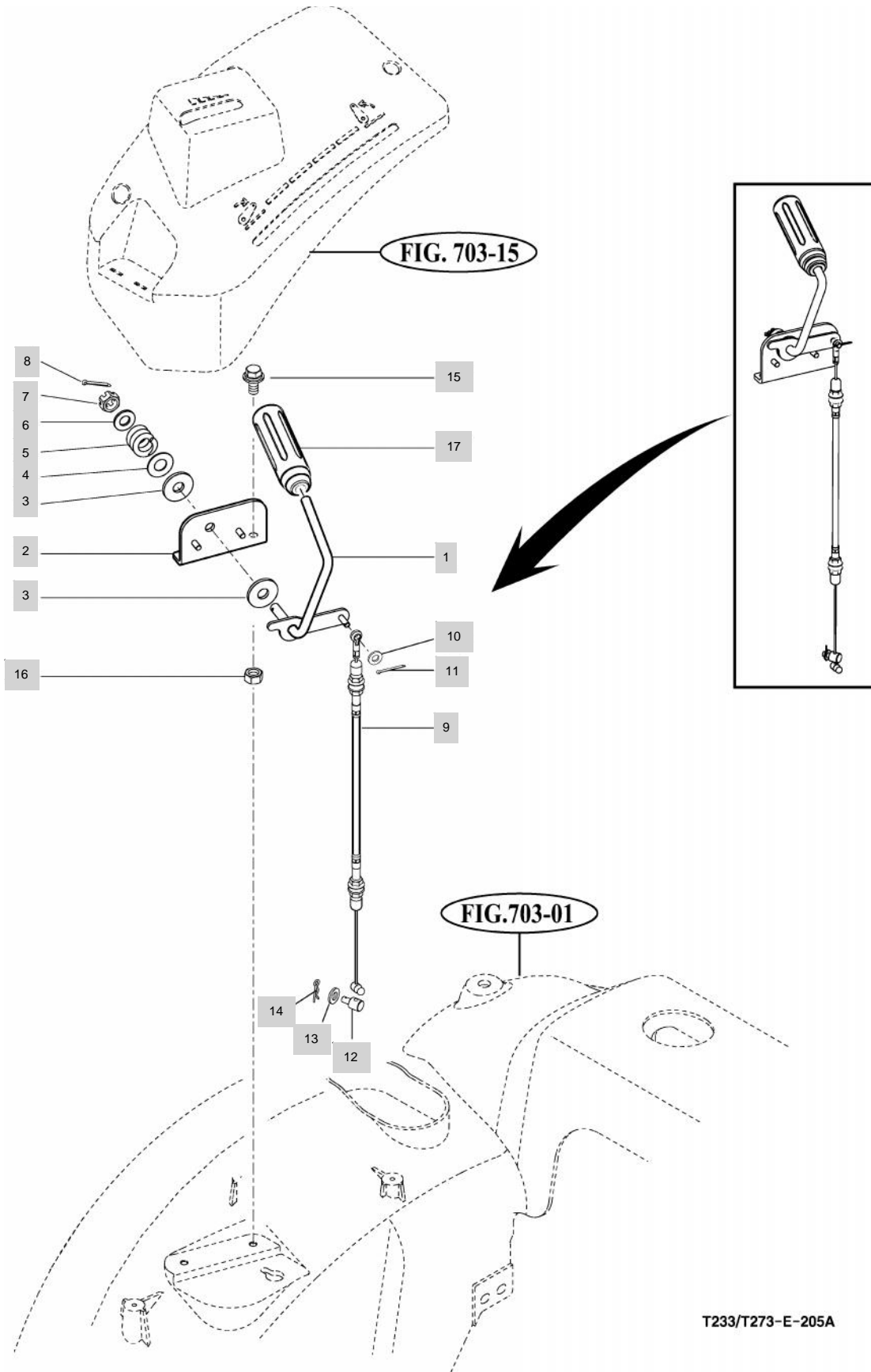
FIG 205

ACCELERATOR

년/월
Year/Month

2020.07

T233



T233/T273-E-205A

NOTE

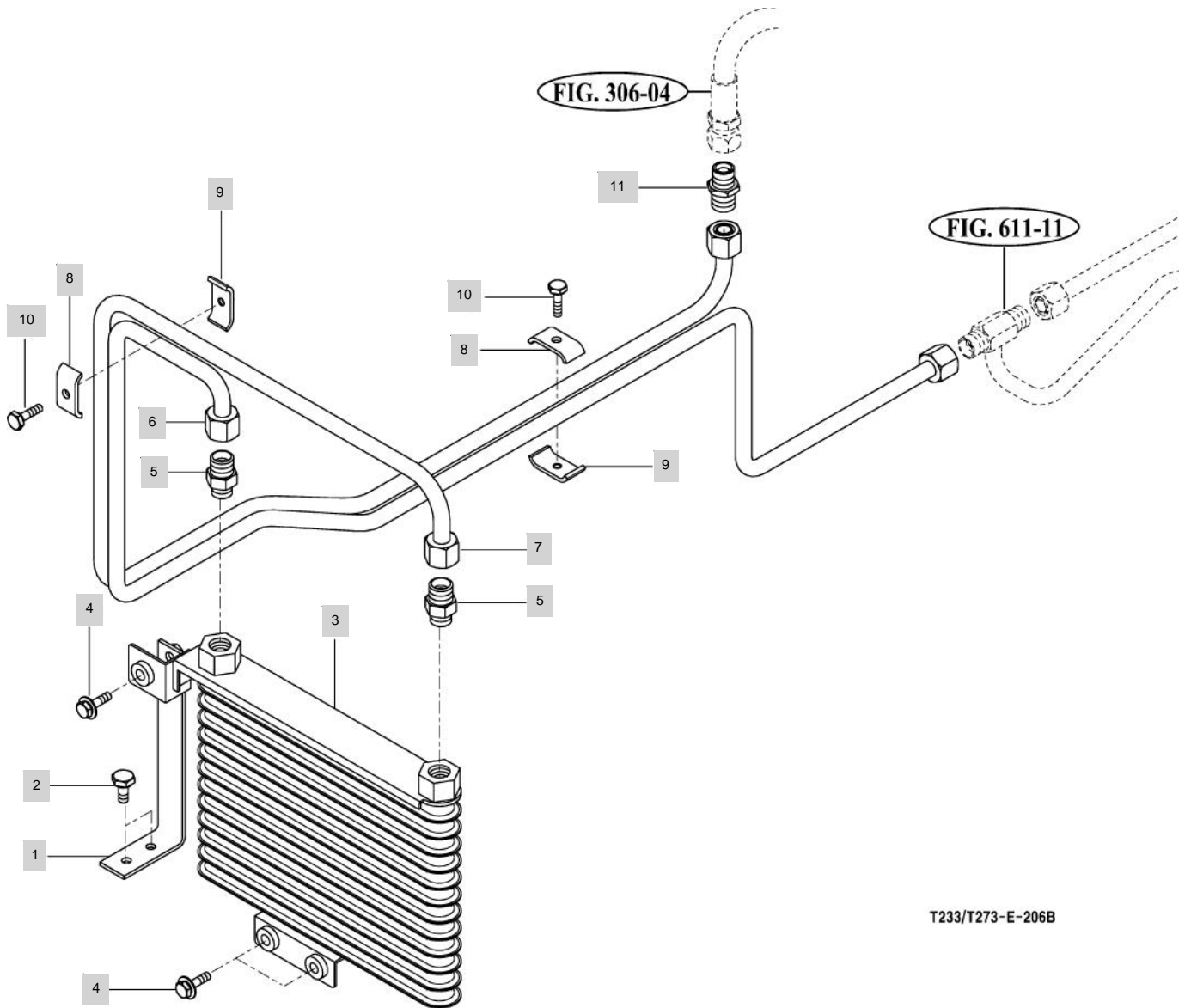
FIG 206

T233

OIL COOLER

년/월
Year/Month

2020.07



T233/T273-E-206B

NOTE

FIG 206 T233		OIL COOLER						년/월 Year/Month
								2020.07
KEY NO	PART NO	DESCRIPTION	SPEC	QTY	REPAIR	EFFECTIVE DATE	REMARKS	
206	1	13181063100DG	BRACKET(COOLER) COMP	1X1X1		1	20090608	
206	2	V2173608016	BOLT , HEX/S	M8X16		4	20121113	
206	3	14721062003	COOLER COMP , OIL	300X230X41		1	20060801	
206	4	V2183608030	BOLT , HEX/SP	M8X30		3	20050913	
206	5	14721062300	UNION UNIT , OIL COOLER	육각B=22		2	20101027	
206	6	13155102103DG	PIPE COMP , COOLER OUT	1X1X1		1		
206	7	13155102203DG	PIPE COMP , COOLER IN	1X1X1		1		
206	8	15945470030	CLIP	19X3		3		
206	9	15945170040	CLIP	19X3		0	20090608	
206	10	V2193606025	BOLT , HEX/SPL	M6X25		2	20090608	
206	11	13155100110	UNION , M18 PF3/8	"HEX,B=22"		0	20090608	
NOTE								

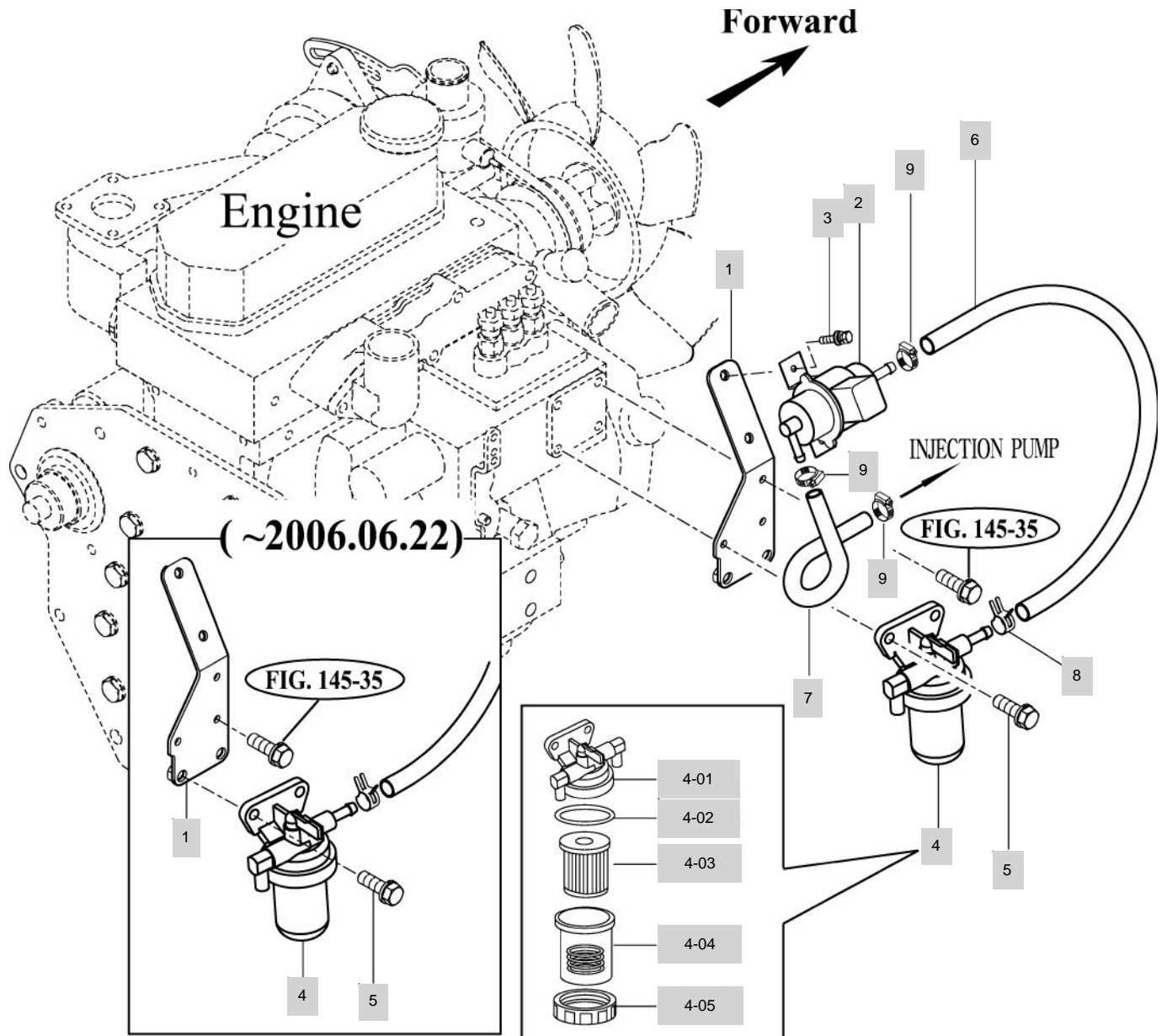
FIG 207

FUEL PUMP & FILTER

년/월
Year/Month

T233

2020.07



T233/T273-E-207B

NOTE

FIG 207 T233		FUEL PUMP & FILTER					년/월 Year/Month	
							2020.07	
KEY NO		PART NO	DESCRIPTION	SPEC	QTY	REPAIR	EFFECTIVE DATE	REMARKS
207	1	13151012100DG	PLATE COMP , FILTER	1X1X1	1			
207	2	16999052300	PUMP ASSY , FUEL PUMP	1X1X1	2		20110113	
207	3	V2183608030	BOLT , HEX/SP	M8X30	3		20050913	
207	4	14571002000	FILTER ASSY , FUEL		1		20120105	
207	4-01	14151020040	BODY	백색크로메트	1			
207	4-02	V7201035044	O-RING , P	P44	1			
207	4-03	14571000010	ELEMENT	1X1X1	1			
207	4-04	14401032010	CUP		1			
207	4-05	14151020100	NUT , RING	백색크로메트	1			
207	5	V2183608030	BOLT , HEX/SP	M8X30	2		20050913	
207	6	13151123100	HOSE COMP , FUEL/180	1X1X1	1		20051123	
207	7	14611113100	HOSE COMP , FUEL 330		1		20051123	
207	8	37481850030	BAND , HOSE 18.5	1/2 3/4	1		20120105	
207	9	14171020060	BAND , HOSE(14)	D=14	1			
NOTE								

3. CLUTCH, BRAKE, STEERING PART NO. T233-E-C3

FIG 301 FLYWHEEL COVER	110
FIG 302 SPEED CONTROL	112
FIG 303 BRAKE	115
FIG 304 BRAKE PEDAL & LINKAGE	117
FIG 305 STEERING WHEEL & DASH COVER	119
FIG 306 STEERING VALVE	121
FIG 307 STEERING CYLINDER	123
FIG 308 FRONT WHEEL	125
FIG 309 FRONT WHEEL	127
FIG 310 HAND BRAKE	129

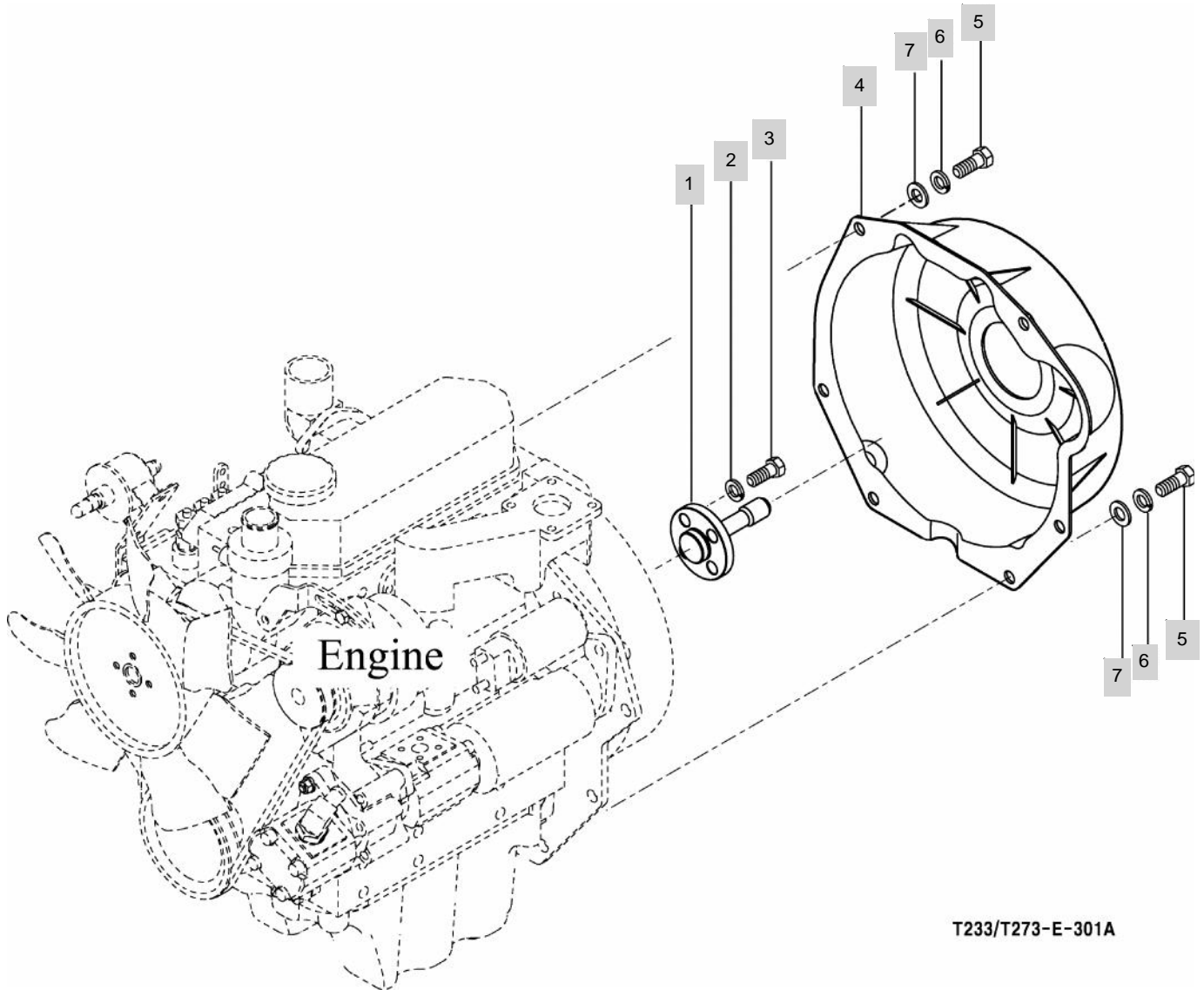
FIG 301

T233

FLYWHEEL COVER

년/월
Year/Month

2020.07



NOTE

FIG 301	FLYWHEEL COVER						년/월 Year/Month
T233							2020.07

KEY NO	PART NO	DESCRIPTION	SPEC	QTY	REPAIR	EFFECTIVE DATE	REMARKS
301	1	13151010010	COUPLING , PTO	85	1		
301	2	V4011600120	WASHER , SPRING	M12	0	20090429	
301	3	F103512040	BOLT , FLYWHEEL	1X1X1	4		
301	4	13152100012	COVER , FLYWHEEL	395X100	1		
301	5	V2024612030	BOLT , HEX FINE	M12X30	4	20090428	
301	6	V4011600120	WASHER , SPRING	M12	0	20090429	
301	7	V4111600120	WASHER , PLAIN	M12	4	20090428	
NOTE							

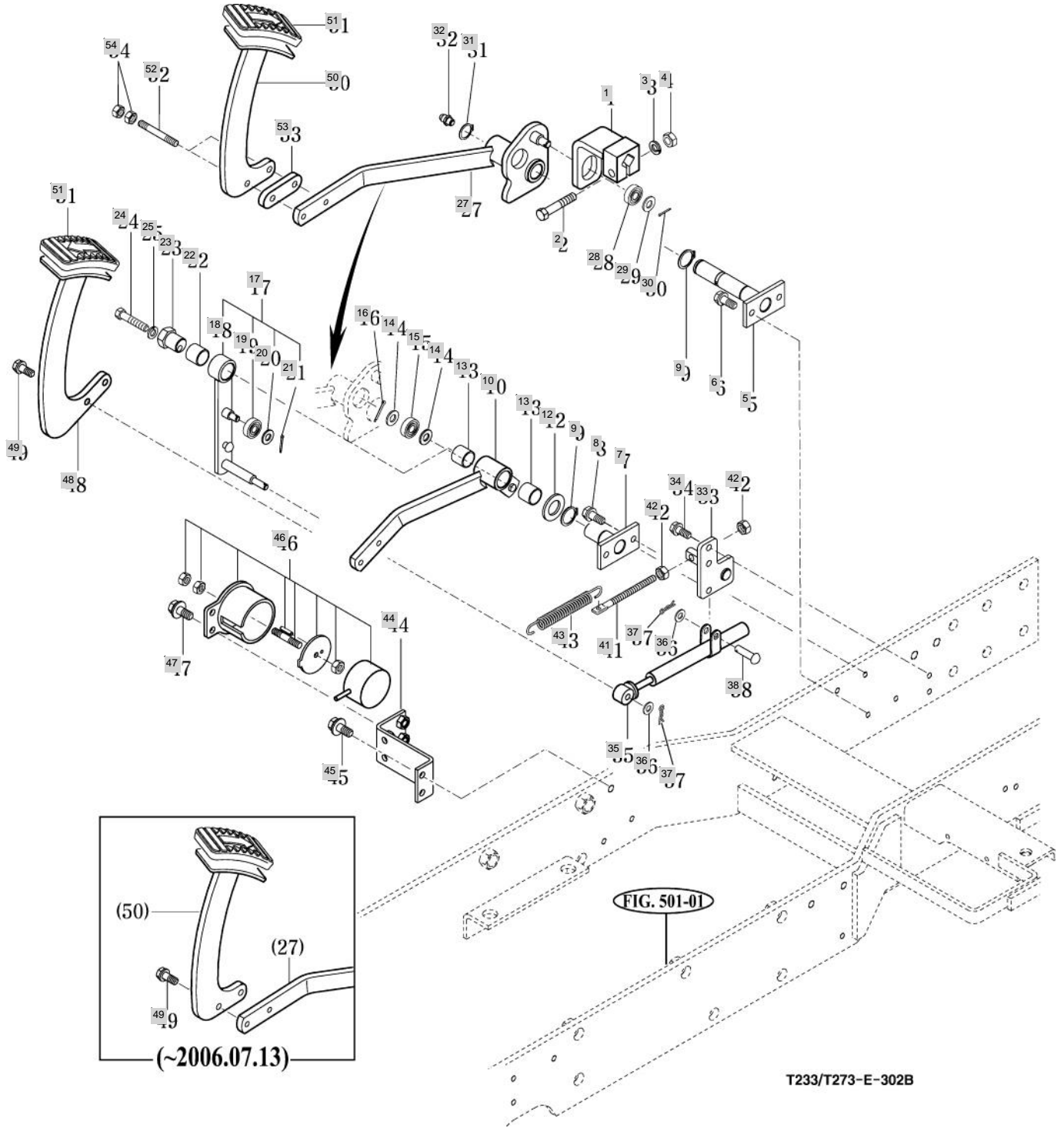
FIG 302

SPEED CONTROL

년/월
Year/Month

2020.07

T233



NOTE

FIG 302		SPEED CONTROL					년/월 Year/Month		
							2020.07		
T233		KEY NO	PART NO	DESCRIPTION	SPEC	QTY	REPAIR	EFFECTIVE DATE	REMARKS
302	1	13152322103DG	HOLDER COMP	1X1X1	1			20050818	
302	2	V2003610045	BOLT , HEX	M10X45	1			20121128	
302	3	V4011600100	WASHER , SPRING	M10	1			20090608	
302	4	V3042600100	NUT , HEX/2	M10	1			20081001	
302	5	13152322201DG	PIN COMP, REVERSE	1X1X1	1				
302	6	V2173608016	BOLT , HEX/S	M8X16	4			20121113	
302	7	13152323102DG	PIN COMP , FORWARD	1X1X1	1				
302	8	V2173608016	BOLT , HEX/S	M8X16	4			20121113	
302	9	V7041400200	C-RING , SHAFT	20	1			20070110	
302	10	13152323202DG	ARM COMP , FORWARD	1X1X1	1				
302	12	V4111600200	WASHER , PLAIN	M20	1				
302	13	11102320030	BUSH , 20X23X20		2				
302	14	V4111600100	WASHER , PLAIN	M10	1			20090608	
302	15	V6001506000	BEARING , BALL	6000DD	1				
302	16	V5001920015	PIN , SPLIT	2X15	1			20081001	
302	17	13152324002	CAM SUB ASSY	1X1X1	1				
302	18	13152324102DG	ARM COMP , CAM	1X1X1	1				
302	19	14722310060	BEARING , BALL		1				
302	20	V4111600080	WASHER , PLAIN	M8	2			20121114	
302	21	V5001920015	PIN , SPLIT	2X15	1			20081001	
302	22	11102320030	DU부시(20X23X20)		1				
302	23	13152320023	PIN , NEUTRAL	"HEX,B=24"	1				
302	24	V2023610050	BOLT , HEX FINE	M10X50	1				
302	25	V4011600100	WASHER , SPRING	M10	1			20090608	
302	27	13152322305DG	ARM COMP, REVERSE	1X1X1	1			20090428	
302	28	V6001506000	BEARING , BALL	6000DD	1				
302	29	V4111600100	WASHER , PLAIN	M10	1			20090608	
302	30	V5001920015	PIN , SPLIT	2X15	1			20081001	
302	31	V7041400200	C-RING , SHAFT	20	1			20070110	
302	32	V7601500000	NIPPLE , GREASE/A-M6F	A-M6F, P=1.0	2			20071112	
302	33	13152325101DG	PIN COMP , SPRING	1X1X1	1				
302	34	V2173608016	BOLT , HEX/S	M8X16	4			20121113	
302	35	13152312400	DAMPER , OIL	1X1X1	1				
302	36	V4111600080	WASHER , PLAIN	M8	2			20121114	
302	37	V5601600008	PIN , SNAP	8	4			20051109	
302	38	14043120060	PIN , YOKE	D=8	2			20100712	
302	41	34522150080	ROD , CHAIN(TENSION)(82)	D=8	1			20050818	
302	42	V3043600080	NUT , HEX/2	M8	1			20081001	
302	43	14722310033	SPRING , RETURN	D=2.4	1				
302	44	13152332103DG	BRACKET COMP , CRUISE	1X1X1	1			20050708	
302	45	V2173608016	BOLT , HEX/S	M8X16	4			20121113	
302	46	14722323002	MAGNETIC ASSY , CRUISE		1				
302	47	V2173608016	BOLT , HEX/S	M8X16	4			20121113	
302	48	13152323303DG	PEDAL COMP, FORWARD	1X1X1	1			20051109	
302	49	V2173608016	BOLT , HEX/S	M8X16	4			20121113	
NOTE									

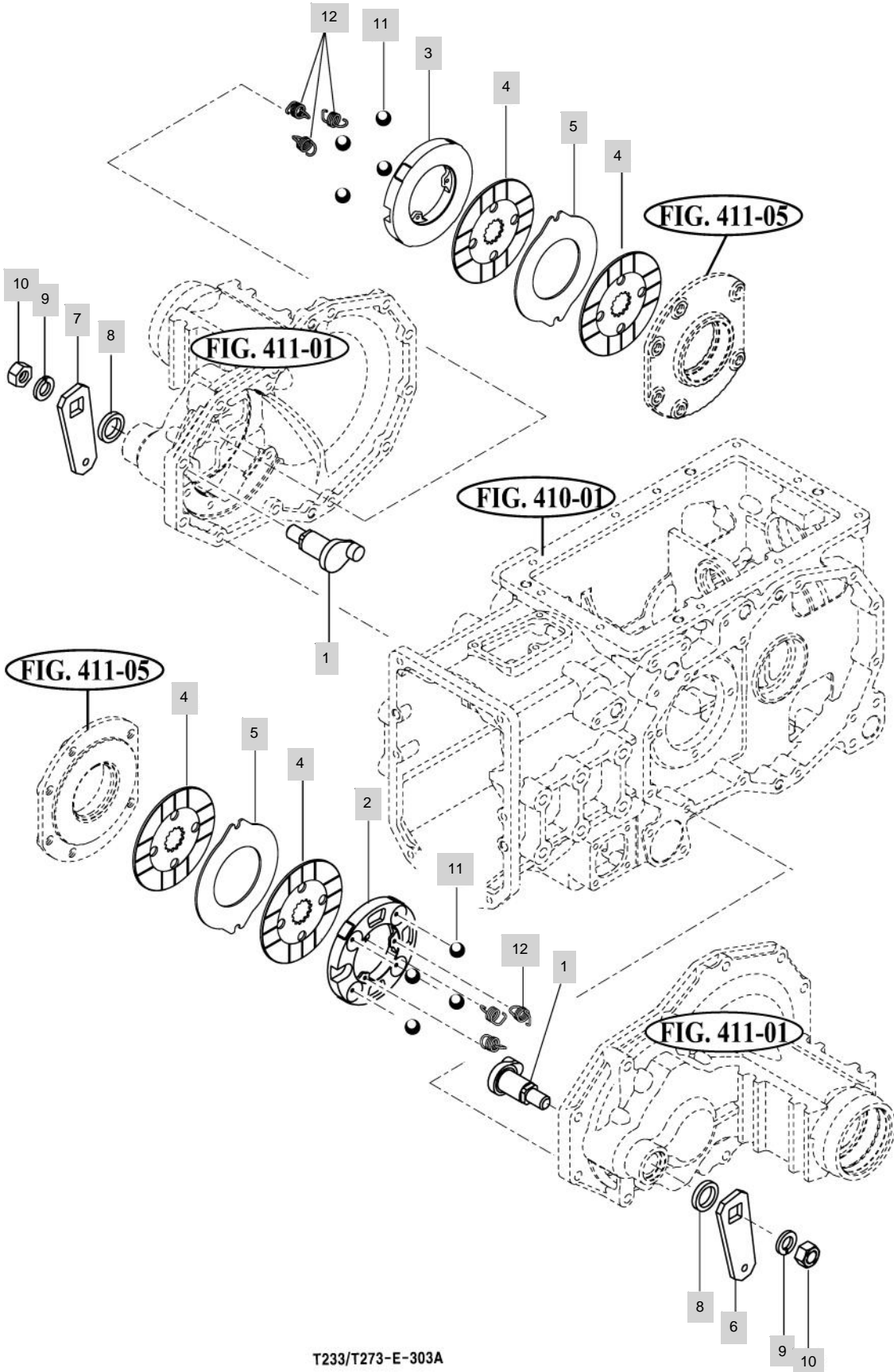
FIG 303

BRAKE

년/월
Year/Month

T233

2020.07



T233/T273-E-303A

NOTE

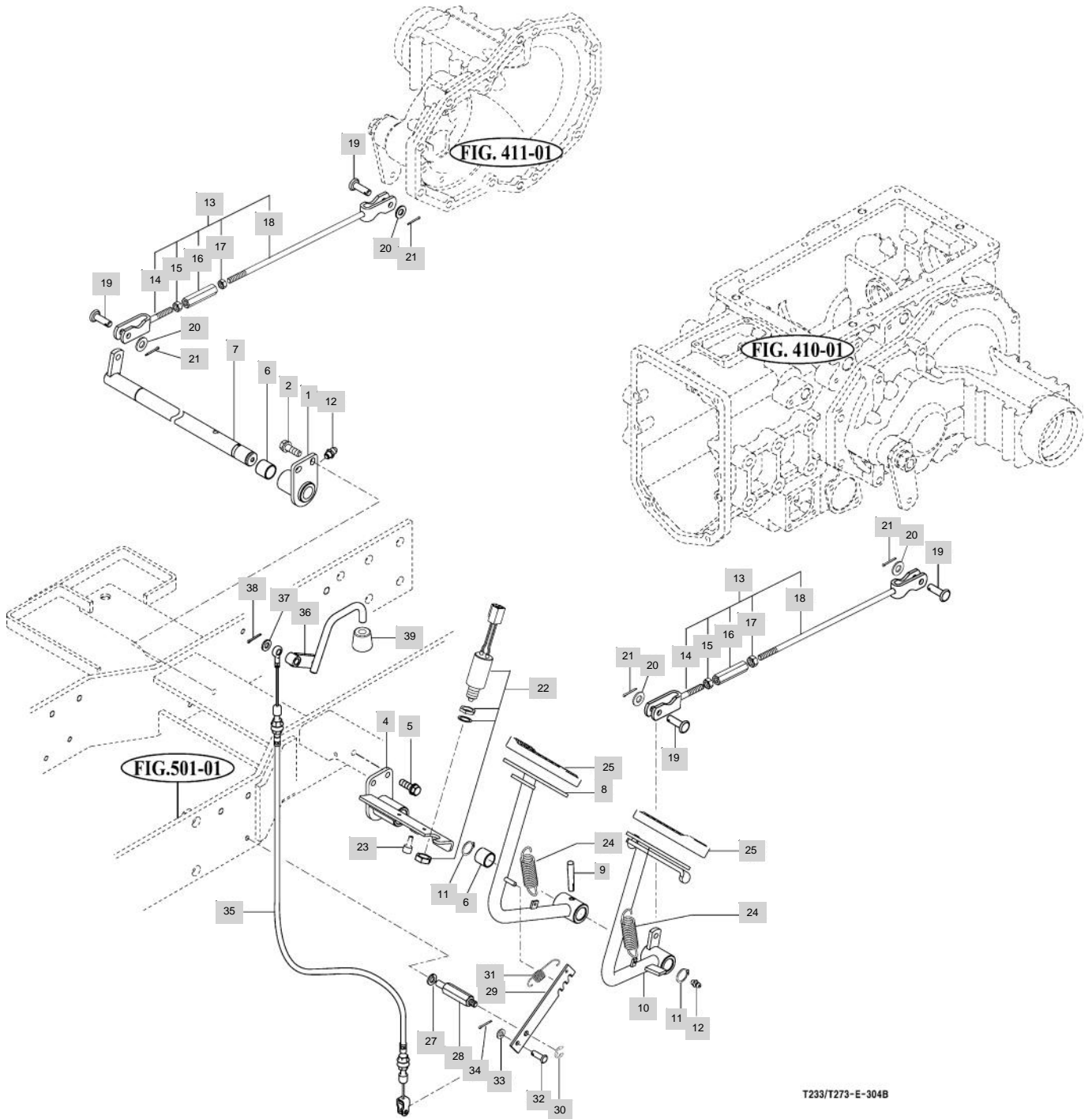
FIG 304

T233

BRAKE PEDAL & LINKAGE

년/월
Year/Month

2020.07



T233/T273-E-304B

NOTE

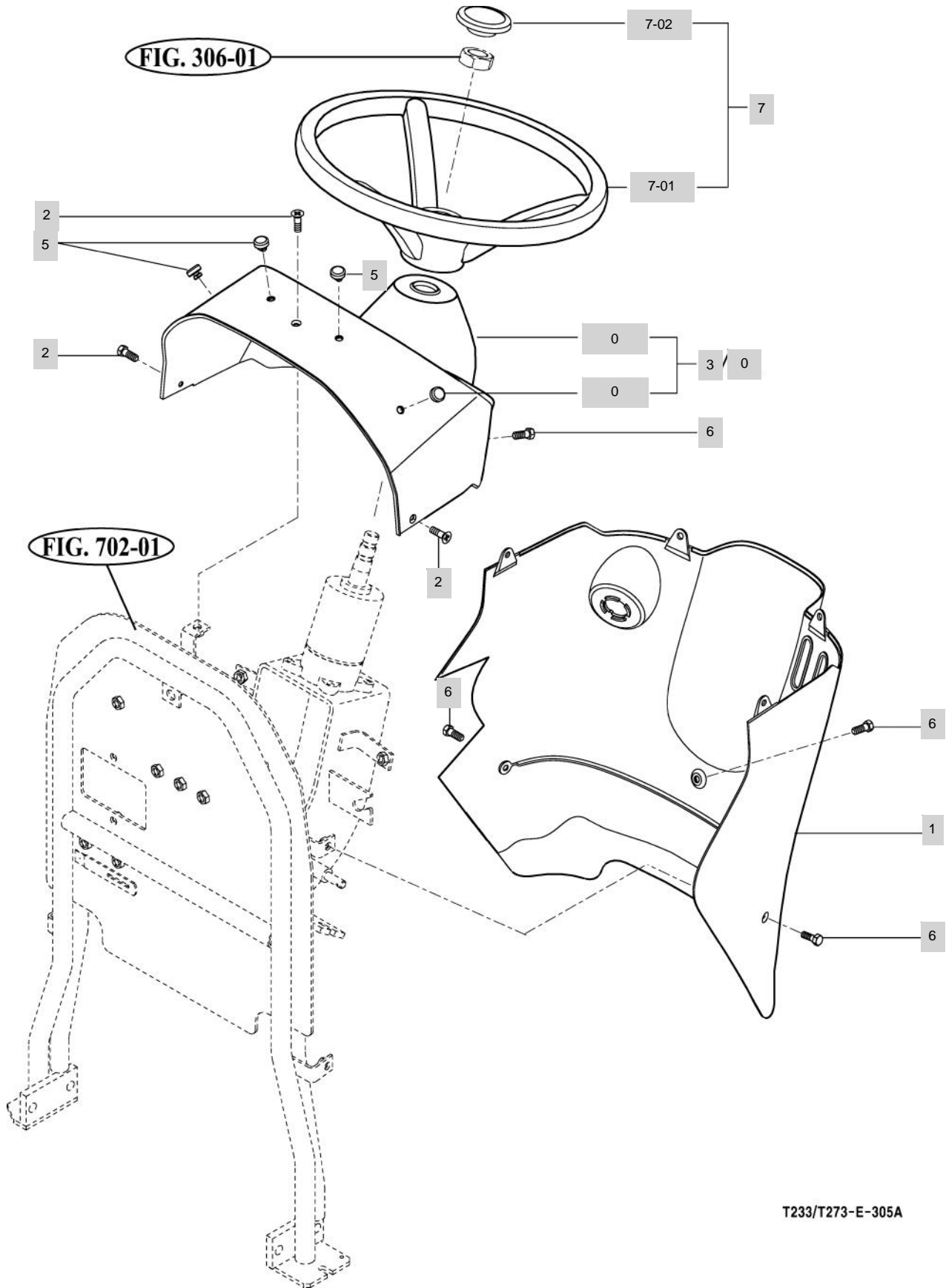
FIG 305

STEERING WHEEL & DASH COVER

년/월
Year/Month

2020.07

T233



T233/T273-E-305A

NOTE

FIG 305 T233		STEERING WHEEL & DASH COVER						년/월 Year/Month	REMARKS
								2020.07	
		KEY NO	PART NO	DESCRIPTION	SPEC	QTY	REPAIR	EFFECTIVE DATE	
305	1	13156032212	COVER , DASH LOW	T=3.0	1		20060220		
305	2	V2123806016	BOLT , HEX /SP	M6X16	5		20051227		
305	3	13156032111	COVER , DASH UPR	T=3.0	1				
305	5	13156032121	RUBBER	1X1X1	4				
305	6	V2123806016	BOLT , HEX /SP	M6X16	5		20051227		
305	7	14724012002	WHEEL ASSY , STEERING	1X1X1	1		20081201		
305	7-01	14724012100	WHEEL , STEERING	1X1X1	1		20040401		
305	7-02	16994012020	COVER , STEERING	1X1X1	1				
NOTE									

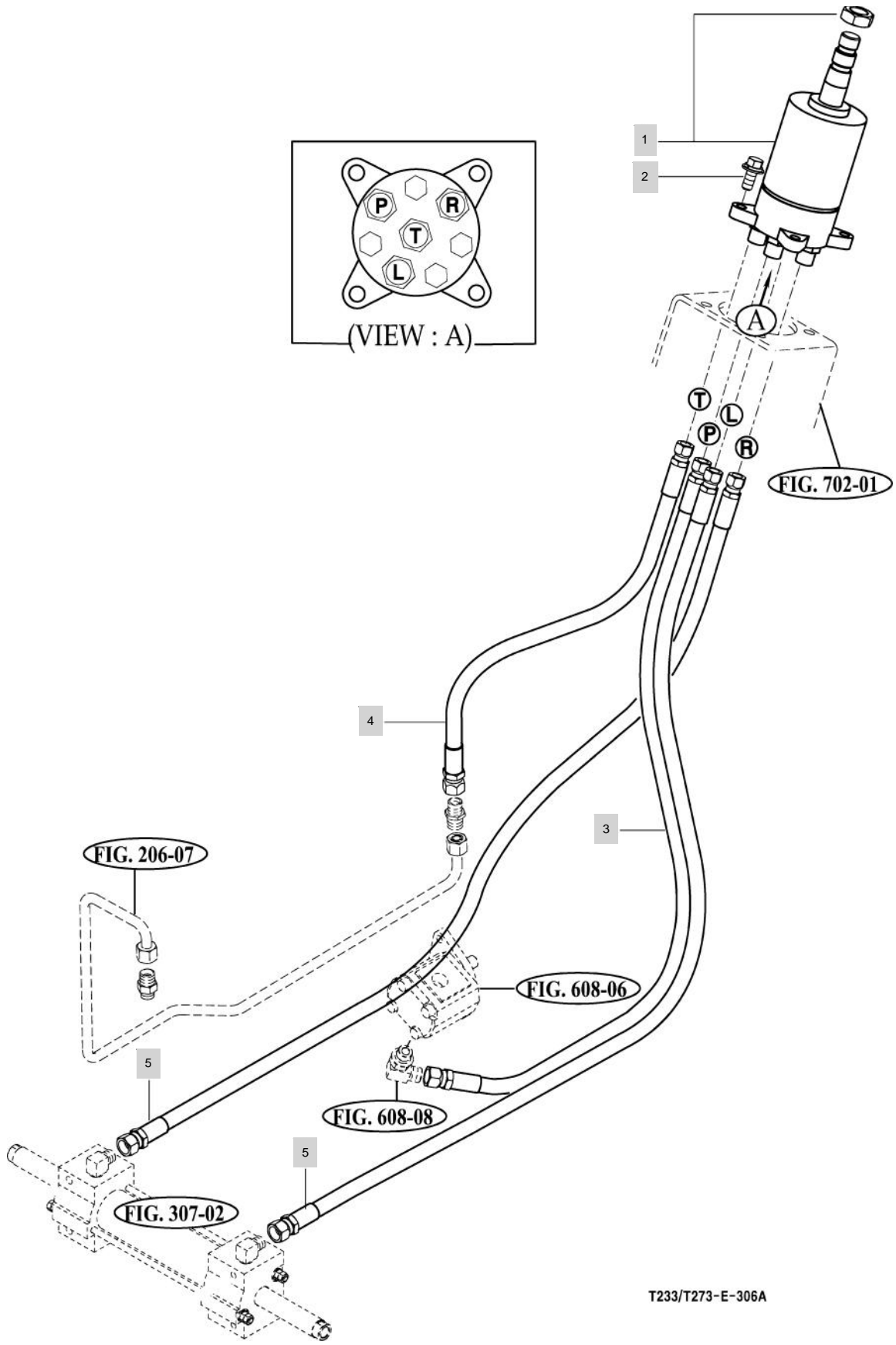
FIG 306

T233

STEERING VALVE

년/월
Year/Month

2020.07



T233/T273-E-306A

NOTE

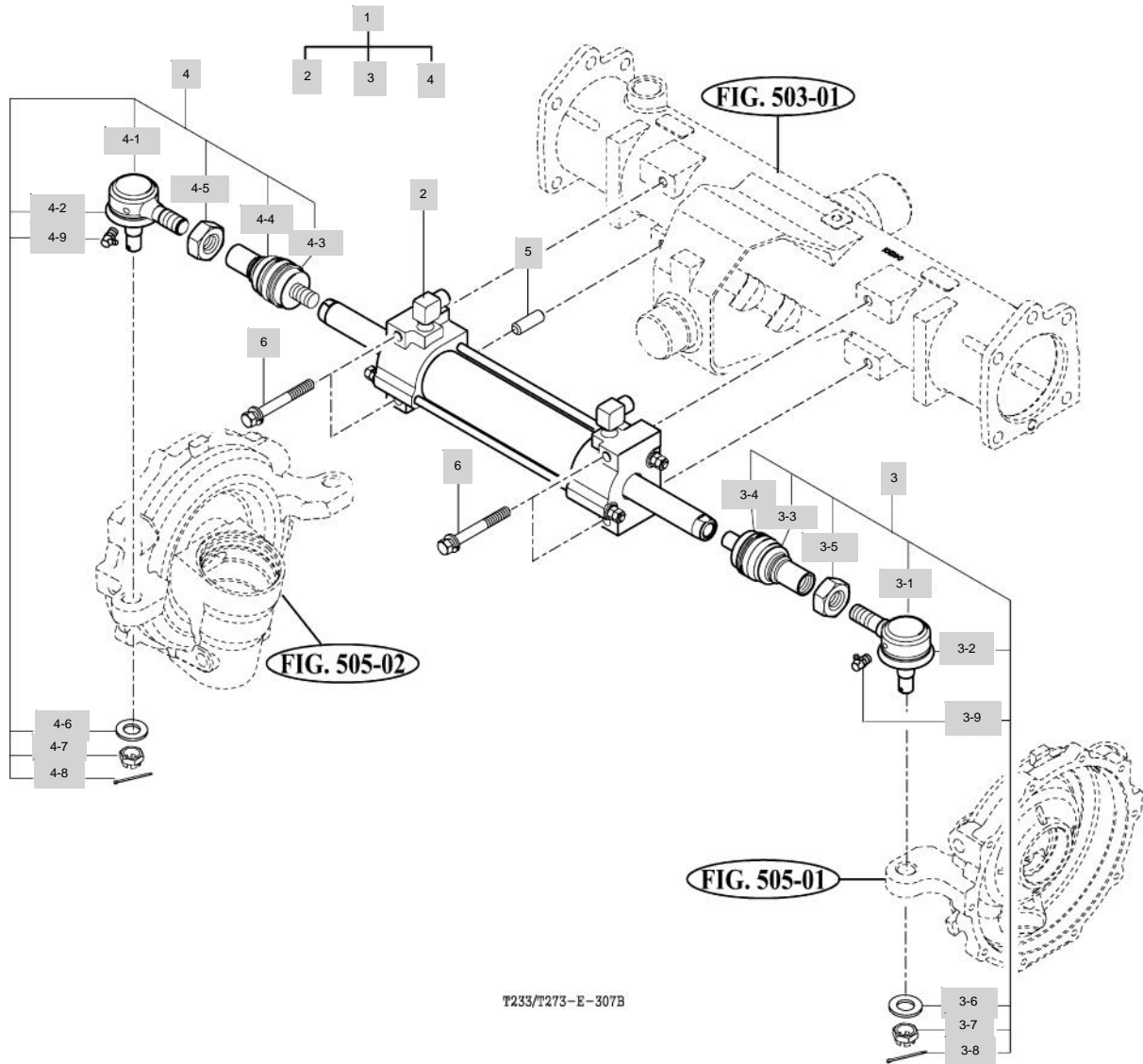
FIG 307

STEERING CYLINDER

년/월
Year/Month

2020.07

T233



T233/T273-E-307B

NOTE

FIG 308

T233

FRONT WHEEL

년/월
Year/Month

2020.07

FIG 308

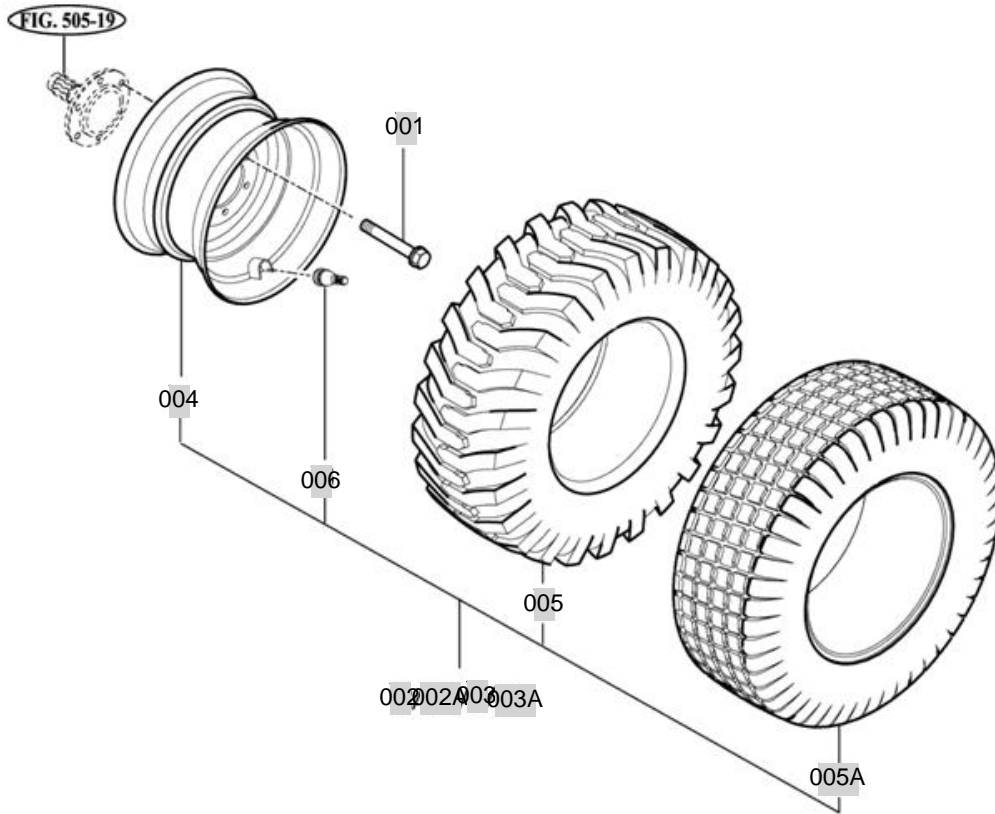
T233/T273

FRONT WHEEL

P1

Year/Month

2007/02



323/327-E-308A

NOTE

NOTE

FIG 309

T233

FRONT WHEEL

년/월
Year/Month

2020.07

FIG 309

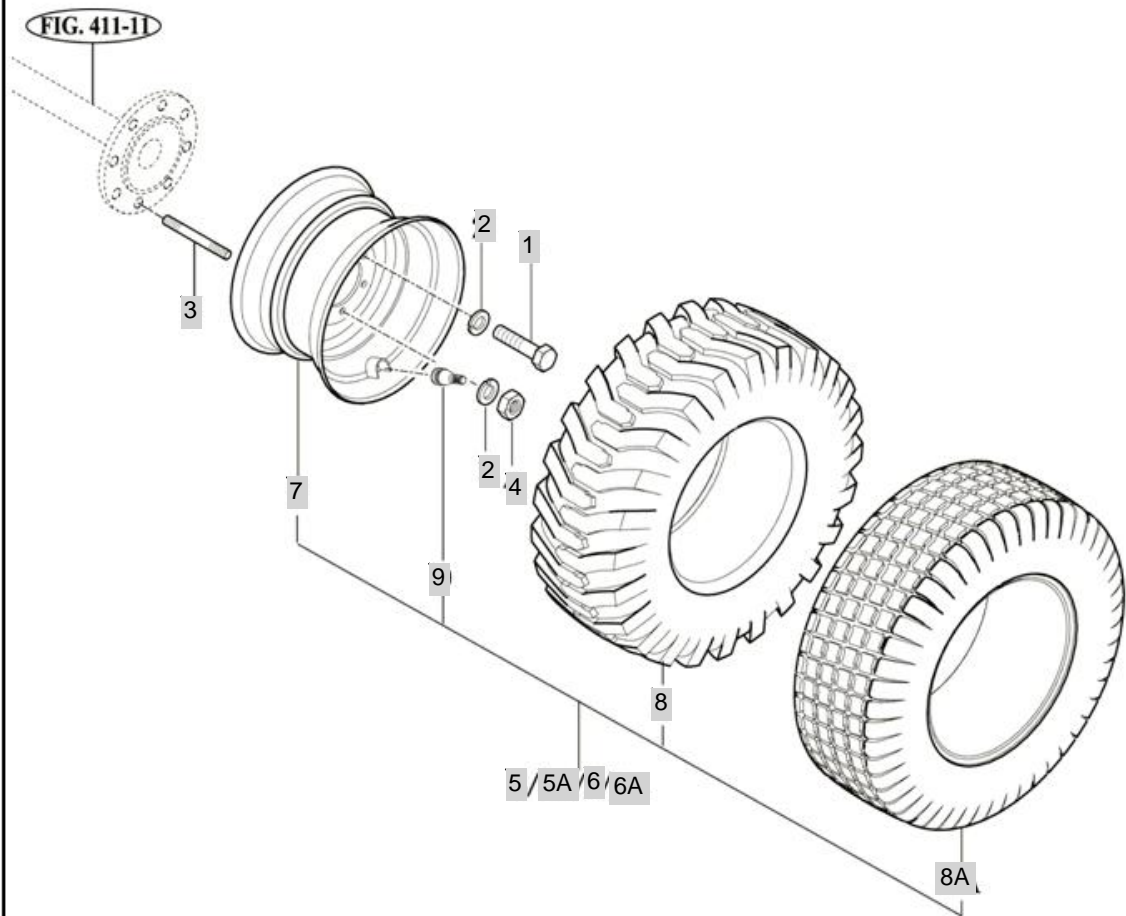
T233/T273

REAR WHEEL

P1

Year/Month

2007/02



323/327-E-309A

NOTE

NOTE

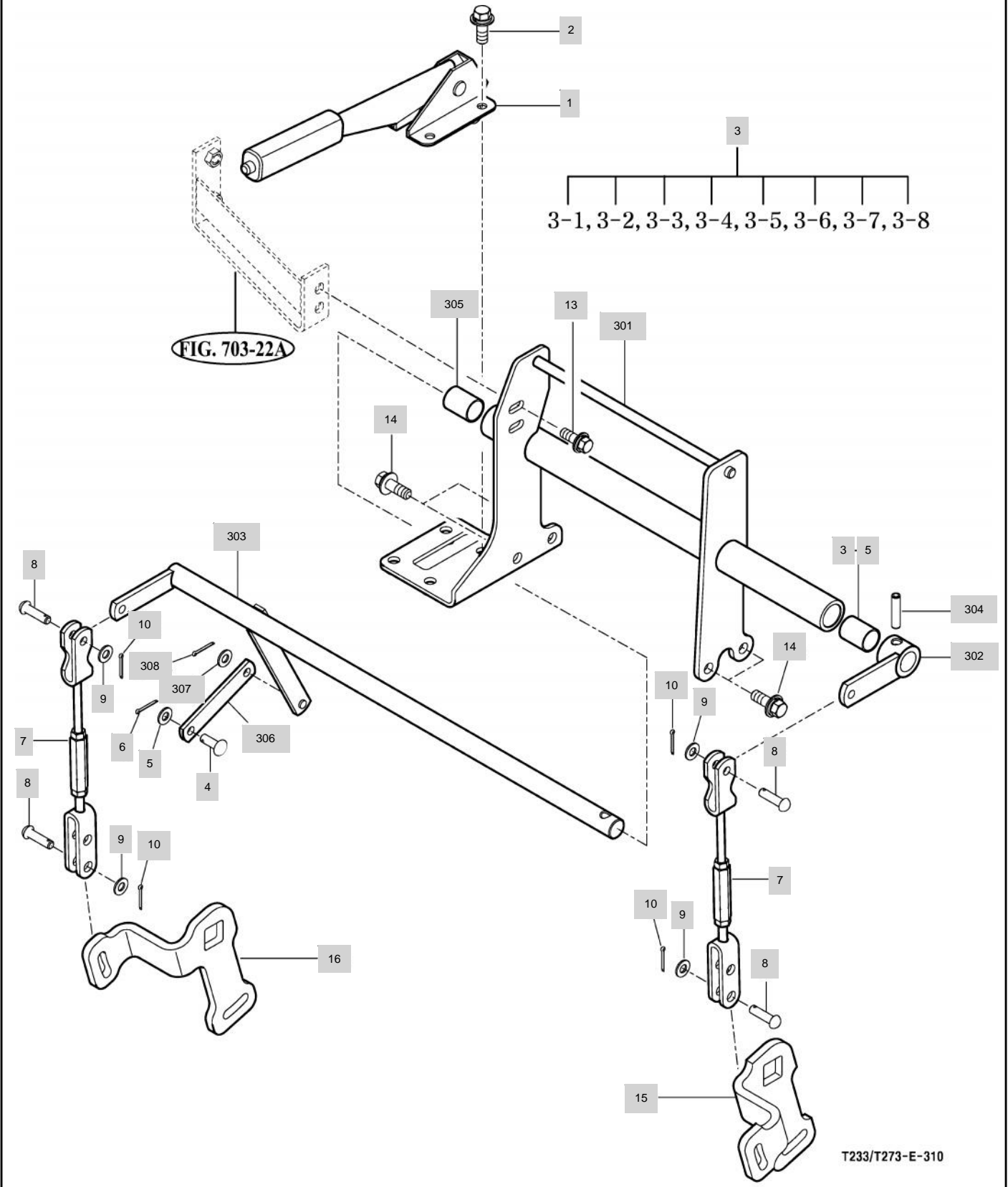
FIG 310

HAND BRAKE

년/월
Year/Month

2020.07

T233



T233/T273-E-310

NOTE

4. TRANSMISSION & REAR AXLE PART NO. T233-E-C4

FIG 401 INPUT SHAFT	132
FIG 402 HST	134
FIG 404 4WD DRIVE GEAR	136
FIG 405 RANGE GEARS	138
FIG 406 P.T.O DRIVE SHAFT	140
FIG 407 P.T.O SHAFT	142
FIG 408 MID P.T.O GEARS	144
FIG 409 DIFFE LOCK	146
FIG 410 REAR TRANSMISSION CASE	148
FIG 411 REAR AXLE HOUSINGS	150
FIG 413 RANGE SHIFT LEVER	152
FIG 414 P.T.O CHANGE LEVER	154
FIG 415 4WD CHANGE LEVER	156

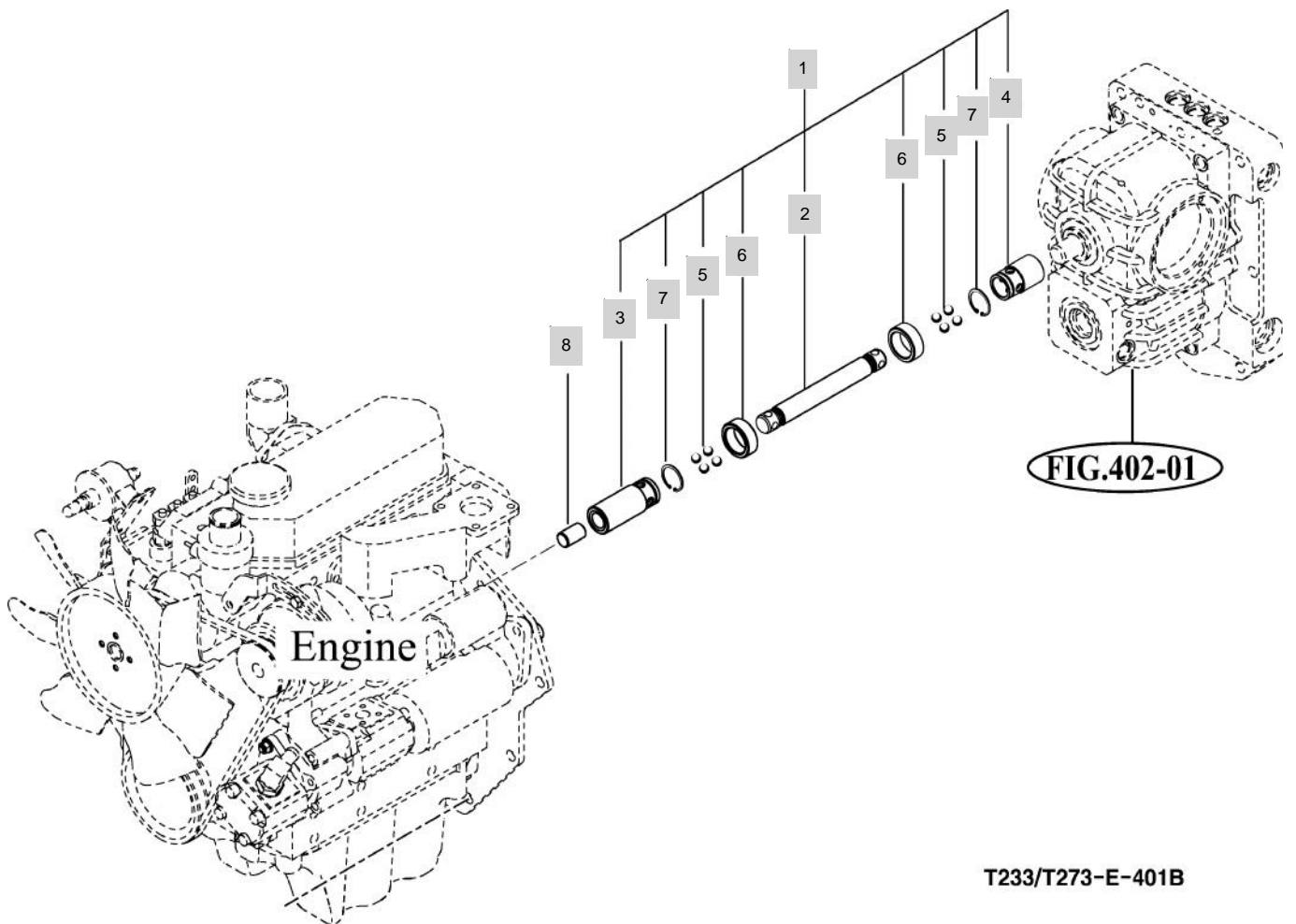
FIG 401

T233

INPUT SHAFT

년/월
Year/Month

2020.07



T233/T273-E-401B

NOTE

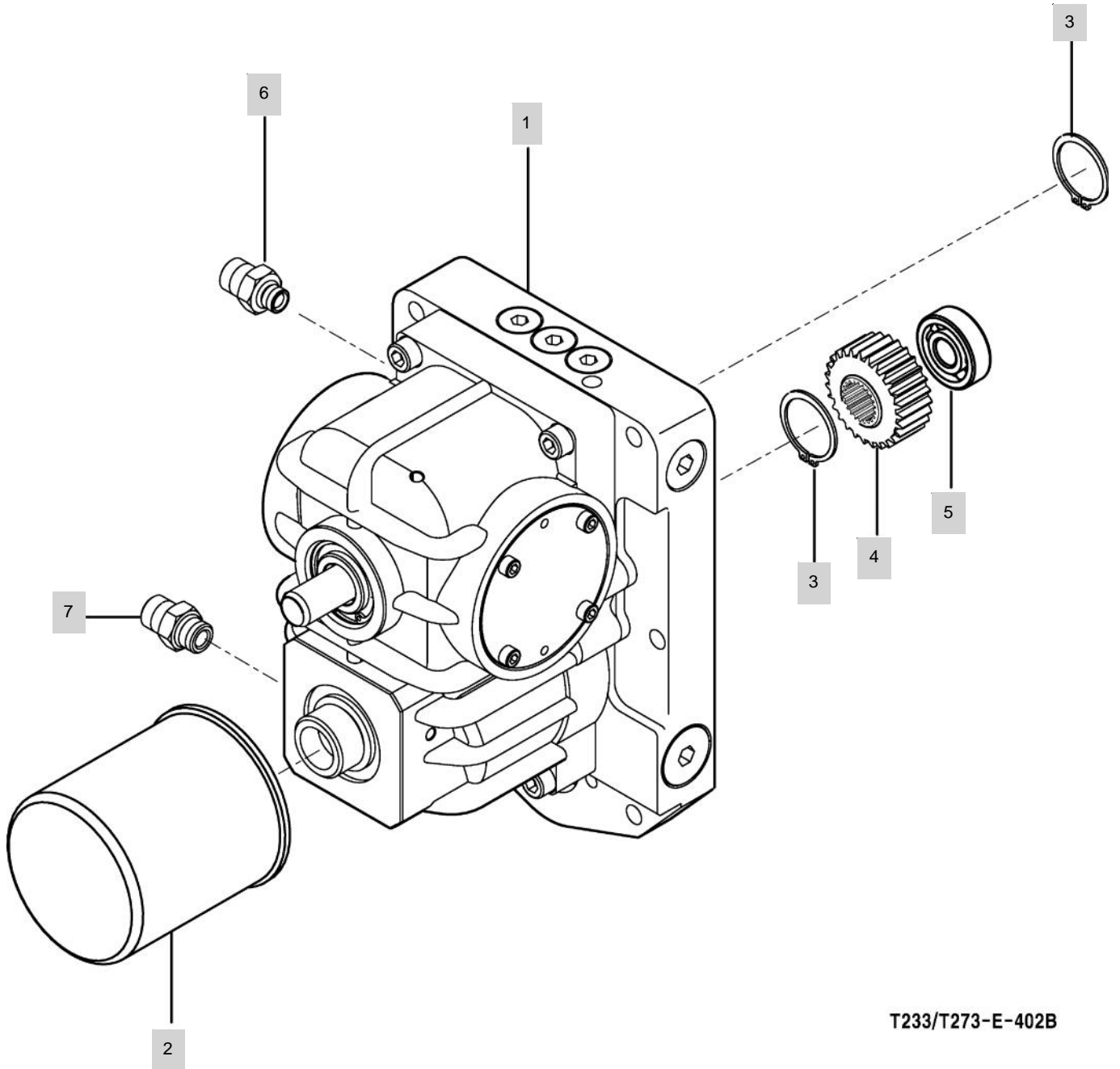
FIG 402

T233

HST

년/월
Year/Month

2020.07



T233/T273-E-402B

NOTE

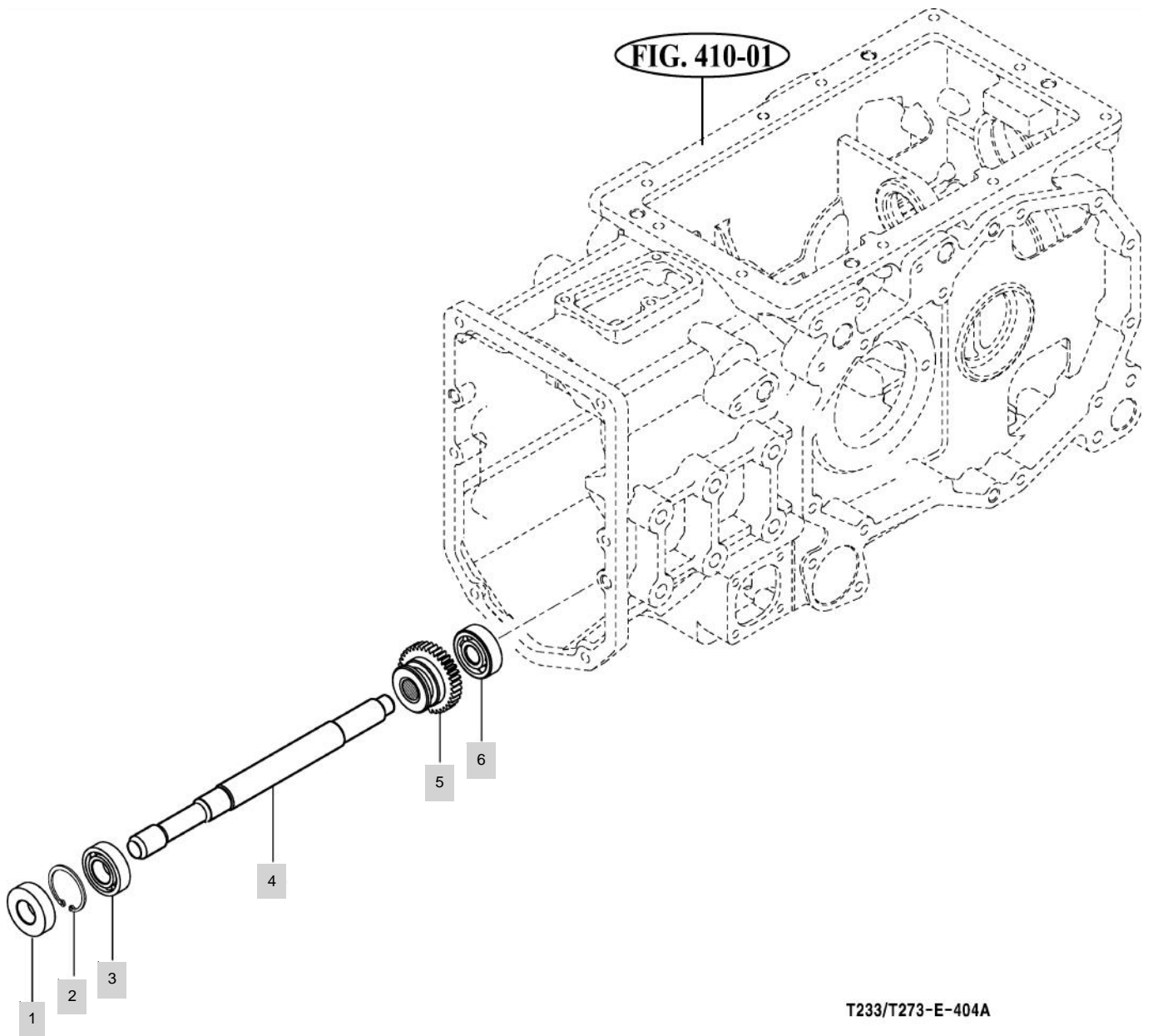
FIG 404

T233

4WD DRIVE GEAR

년/월
Year/Month

2020.07



NOTE

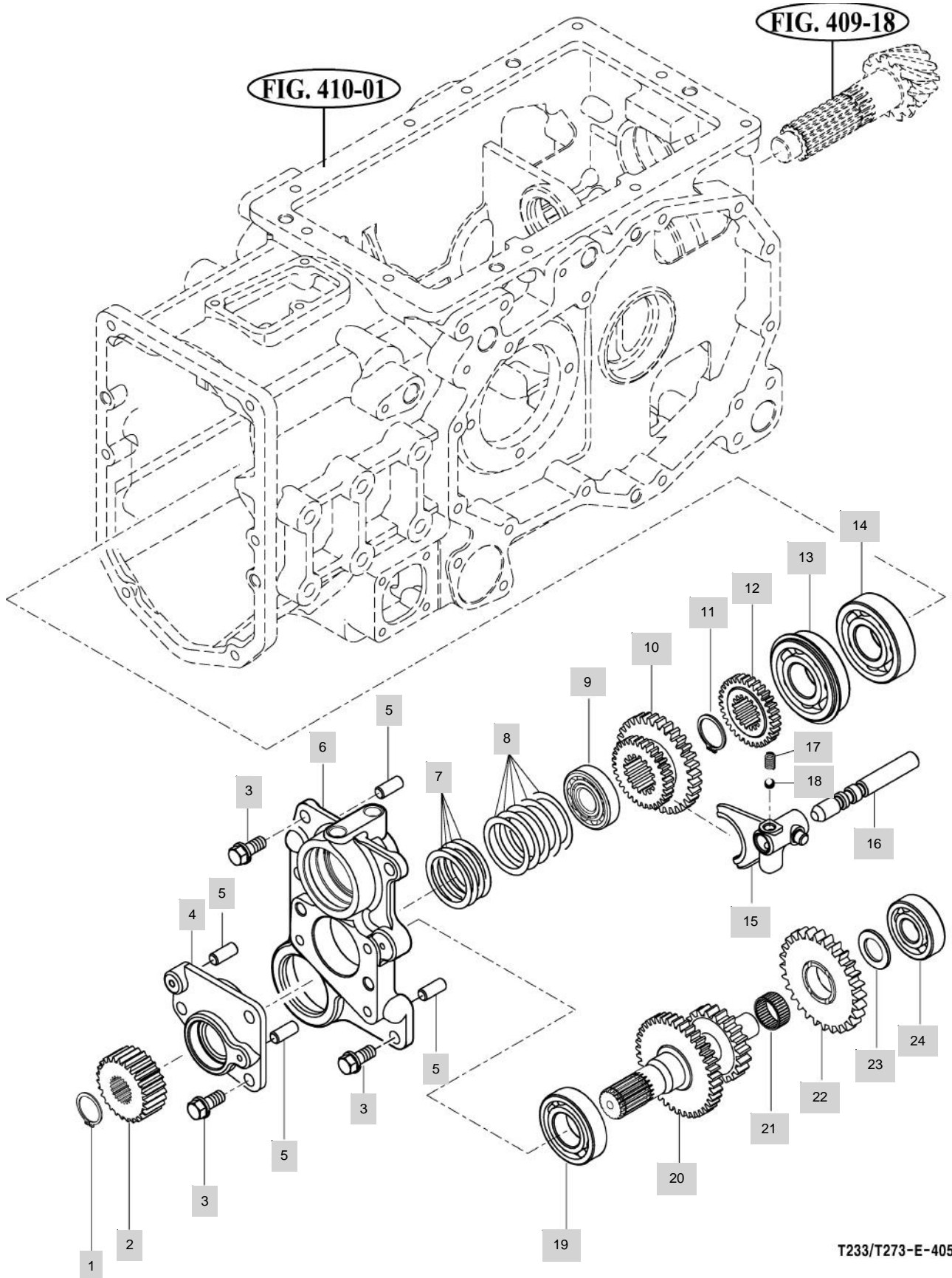
FIG 405

RANGE GEARS

년/월
Year/Month

T233

2020.07



T233/T273-E-405A

NOTE

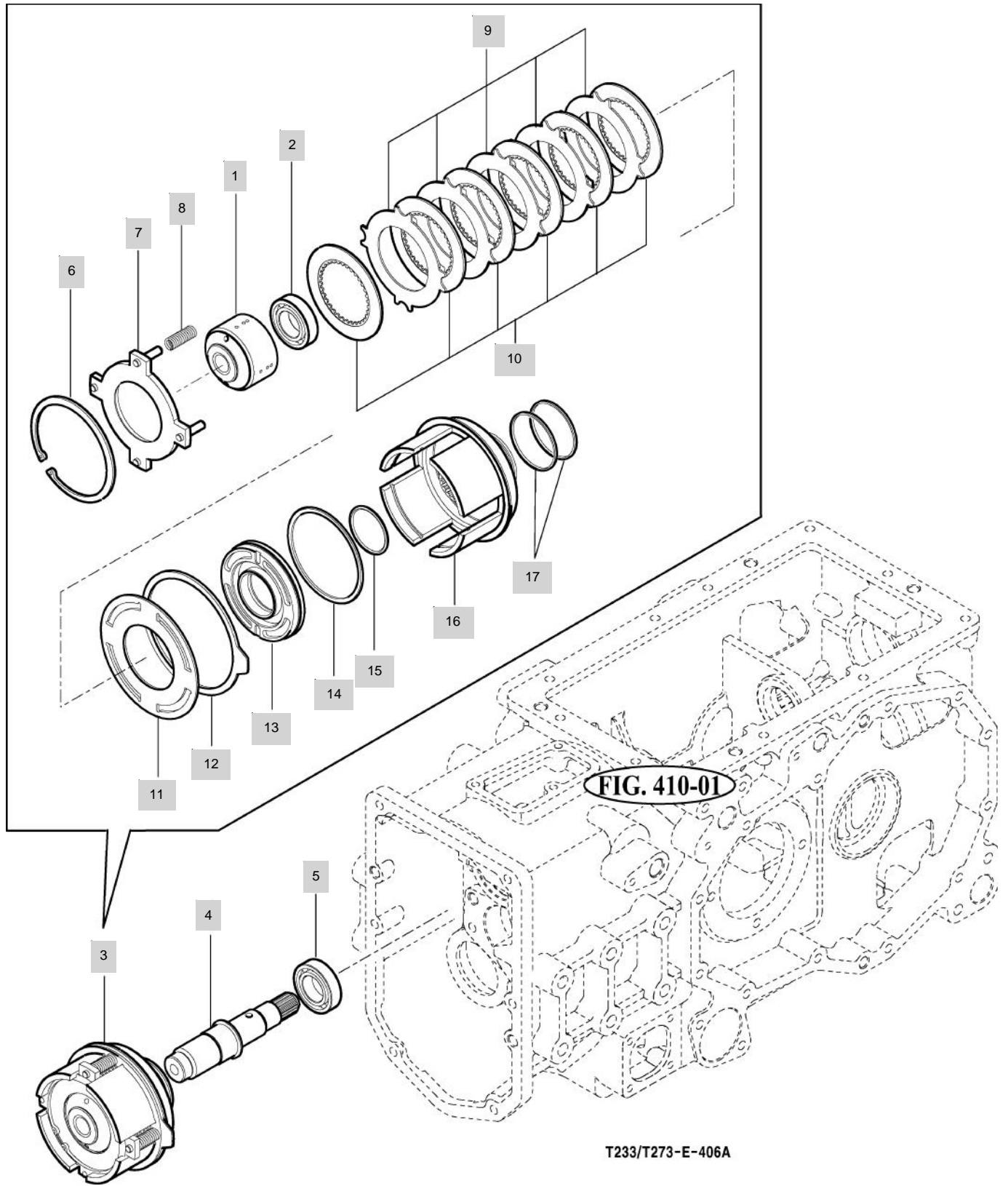
FIG 406

T233

P.T.O DRIVE SHAFT

년/월
Year/Month

2020.07



NOTE

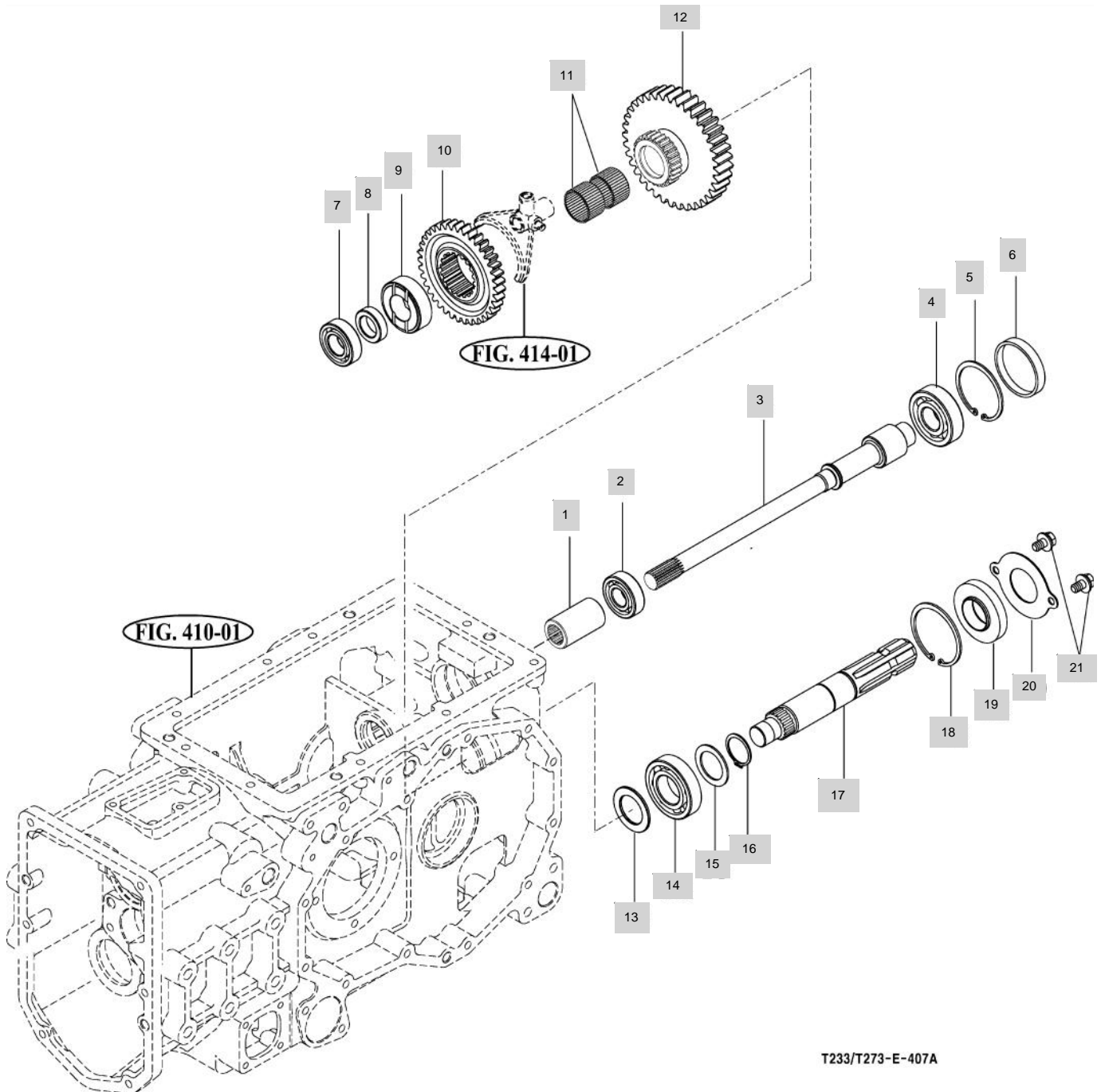
FIG 407

T233

P.T.O SHAFT

년/월
Year/Month

2020.07



T233/T273-E-407A

NOTE

FIG 407		P.T.O SHAFT					년/월 Year/Month	
T233							2020.07	
KEY NO	PART NO	DESCRIPTION	SPEC	QTY	REPAIR	EFFECTIVE DATE	REMARKS	
407	1	14211340190	COUPLING	22X51		1	20100702	
407	2	V6001106204	BEARING , BALL	6204		1		
407	3	13152510012	SHAFT , PTO COUNTER	11T(30X370)		1		
407	4	V6001106305	BEARING , BALL	6305		1		
407	5	V7051400620	C-RING , HOLE	62		1		
407	6	14443140080	SEAL , 62	D=62		1		
407	7	V6001106205	BEARING , BALL	6205		1		
407	8	13152530041	COLLAR ,25X40X12	25X40X12		1		
407	9	15642730052	HUB , 35X62X20			1		
407	10	13152530031	GEAR , SPUR 41T	128X30		1		
407	11	V6544354026	BEARING , NEEDLE CAGED	KT354026		2		
407	12	13152530023	GEAR , SPUR 53T	65X136		1		
407	13	15642730082	WASHER , 35X55X3	D=55		1		
407	14	V6001106207	BEARING , BALL	6207		1		
407	15	14443140041	COLLAR , 35X50X2	T=2		1		
407	16	V7041400350	C-RING , SHAFT	35		1		
407	17	13152530011	SHAFT , PTO	D=35		1		
407	18	V7051400720	C-RING , HOLE	72		1		
407	19	16322732000	SEAL ASSY , OIL			1		
407	20	16322730040	COVER	T=1.6		1		
407	21	V2173608016	BOLT , HEX/S	M8X16		4	20121113	
NOTE								

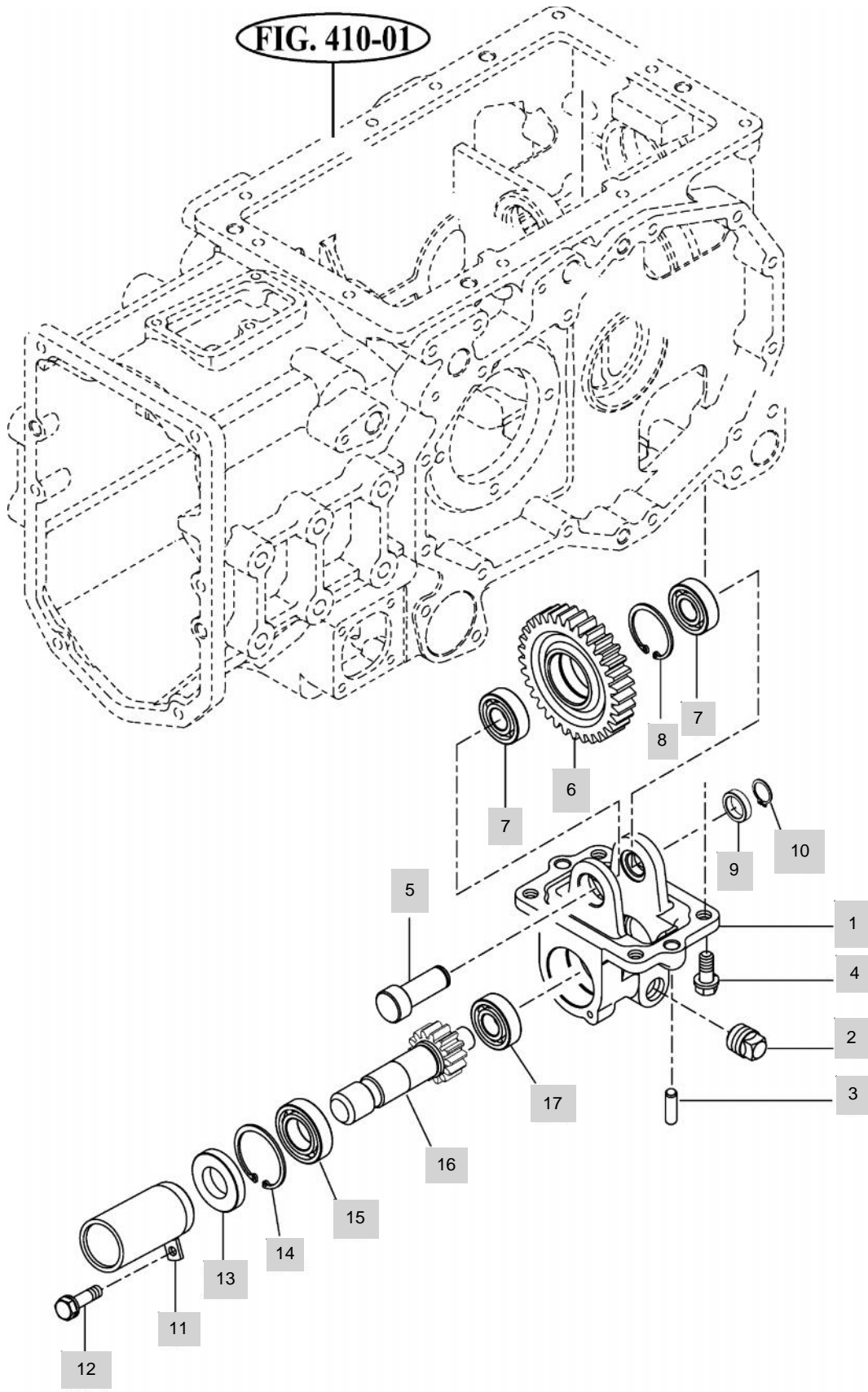
FIG 408

MID P.T.O GEARS

년/월
Year/Month

2020.07

T233



T233/T273-E-408B

NOTE

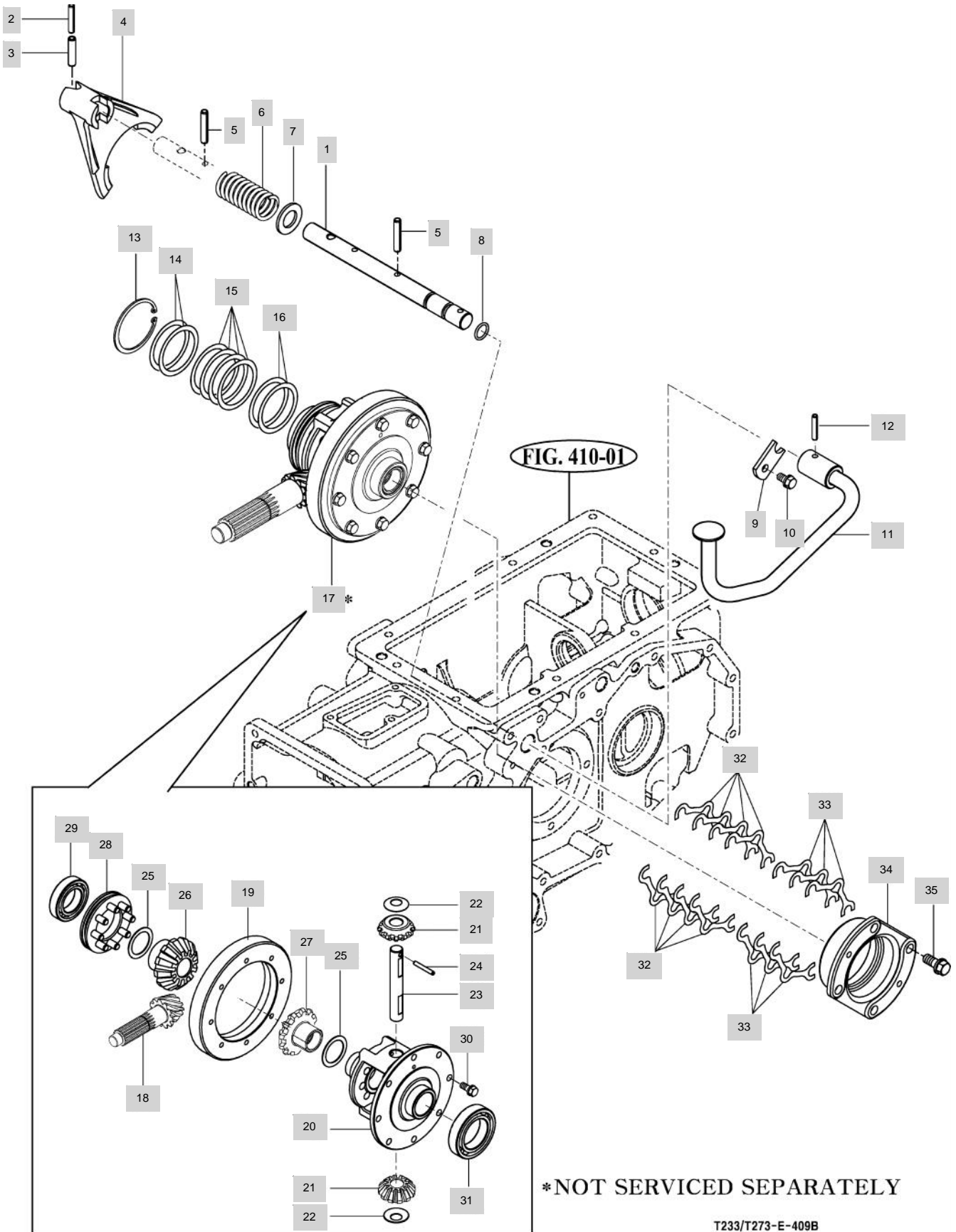
FIG 409

DIFFE LOCK

년/월
Year/Month

2020.07

T233



NOTE

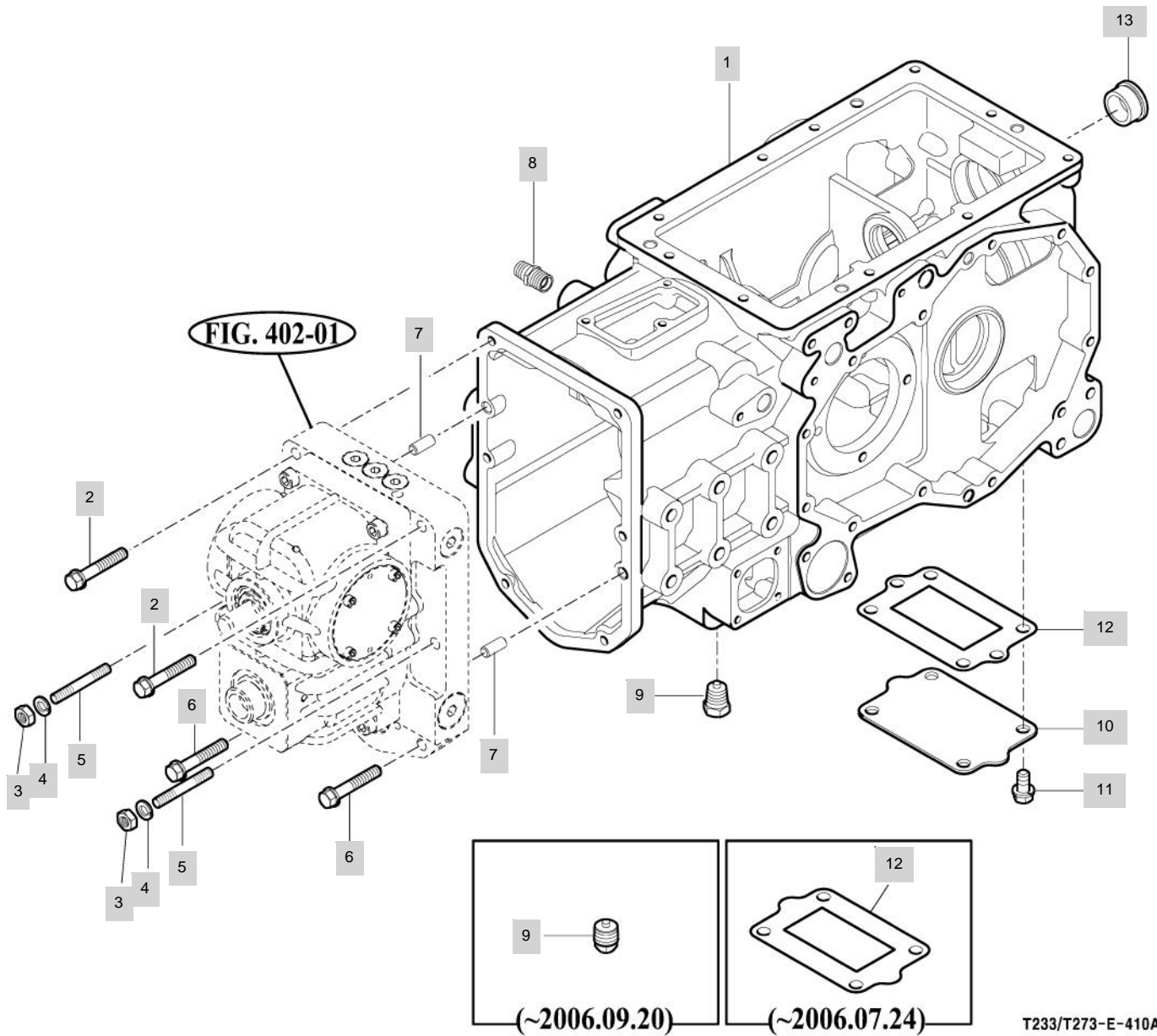
FIG 410

T233

REAR TRANSMISSION CASE

년/월
Year/Month

2020.07



T233/T273-E-410A

NOTE

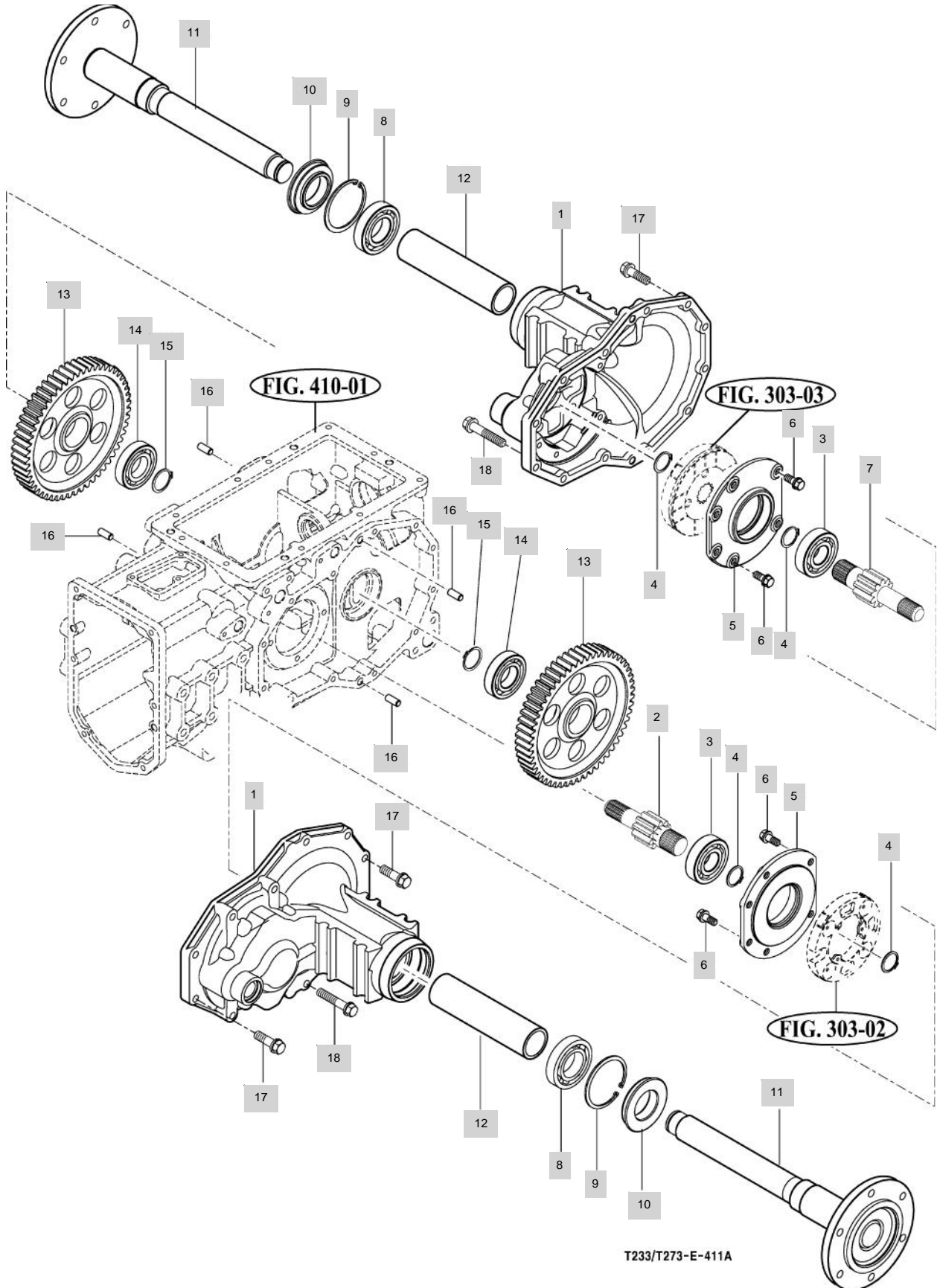
FIG 411

REAR AXLE HOUSINGS

년/월
Year/Month

2020.07

T233



T233/T273-E-411A

NOTE

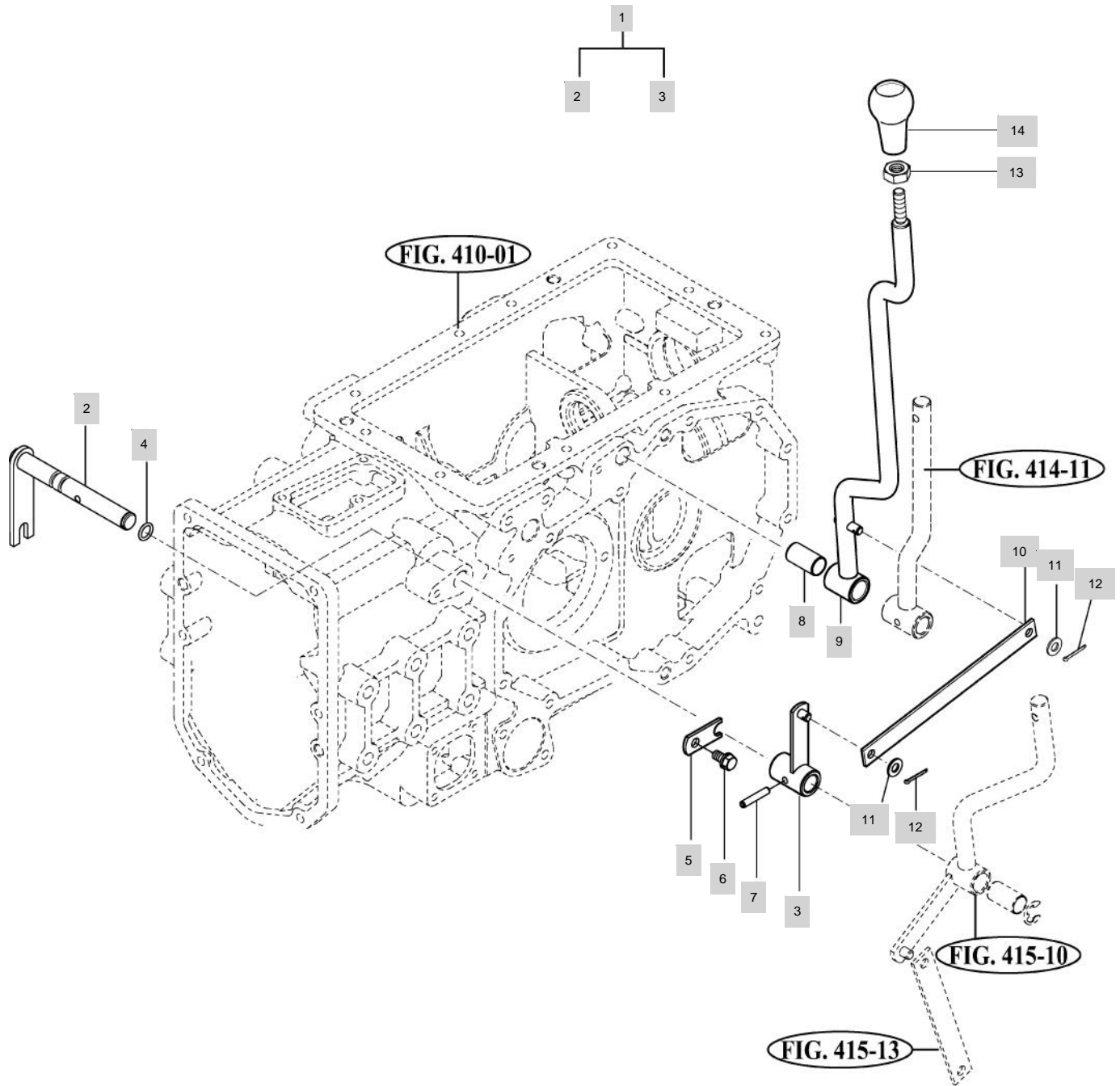
FIG 413

T233

RANGE SHIFT LEVER

년/월
Year/Month

2020.07



T233/T273-E-413A

NOTE

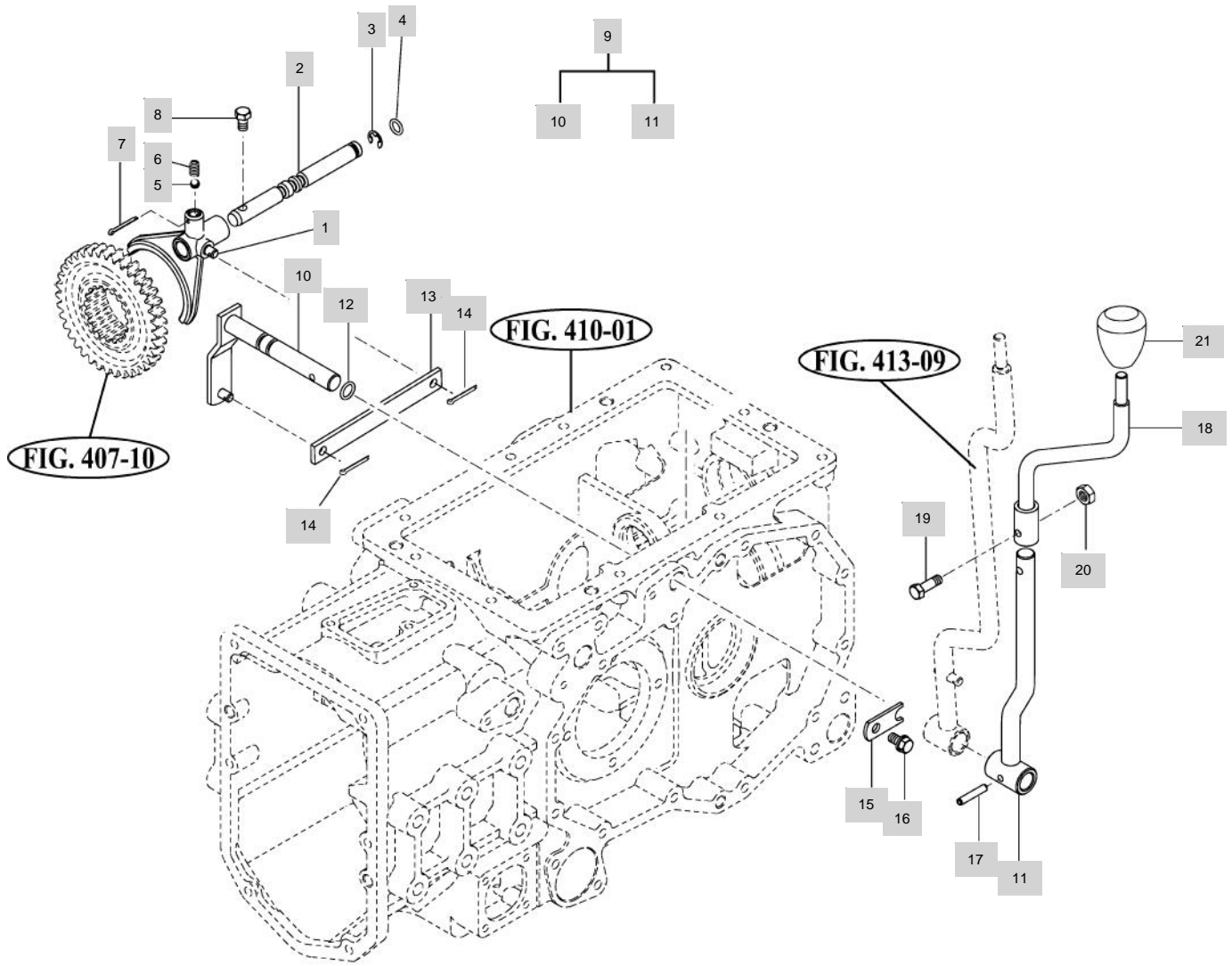
FIG 414

T233

P.T.O CHANGE LEVER

년/월
Year/Month

2020.07



T233/T273-E-414B

NOTE

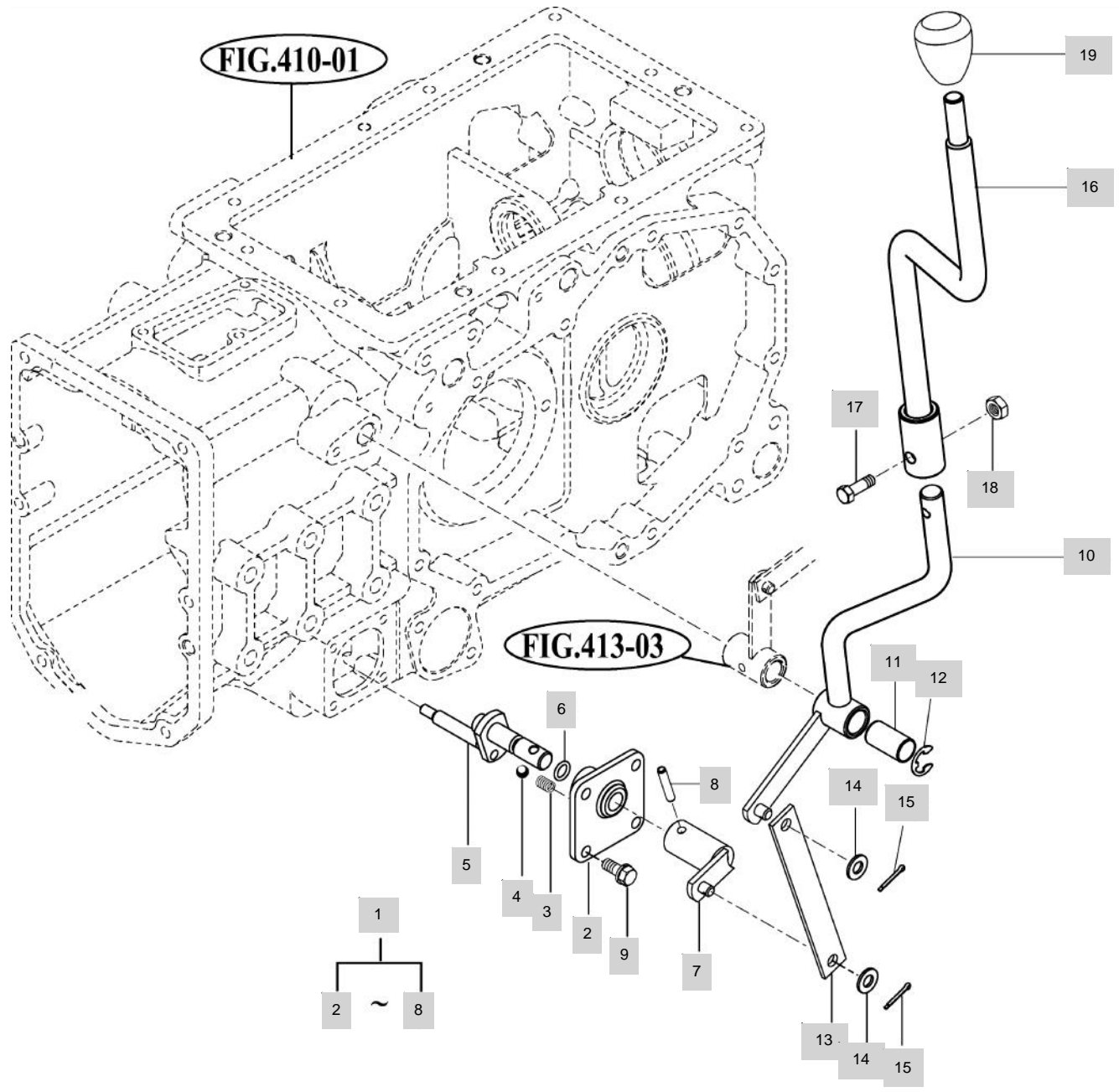
FIG 415

4WD CHANGE LEVER

년/월
Year/Month

T233

2020.07



T233/T273-E-415A

NOTE

5. FRONT AXLE PART NO. T233-E-C5

FIG 501A FRAME (1)	159
FIG 501B FRAME (2)	161
FIG 502 FRONT DIFFERENTIAL GEARS & SHAFT	163
FIG 503 FRONT AXLE HOUSING	165
FIG 504 FRONT GEAR CASE (1)	167
FIG 505 FRONT GEAR CASE (2)	169

FIG 501A

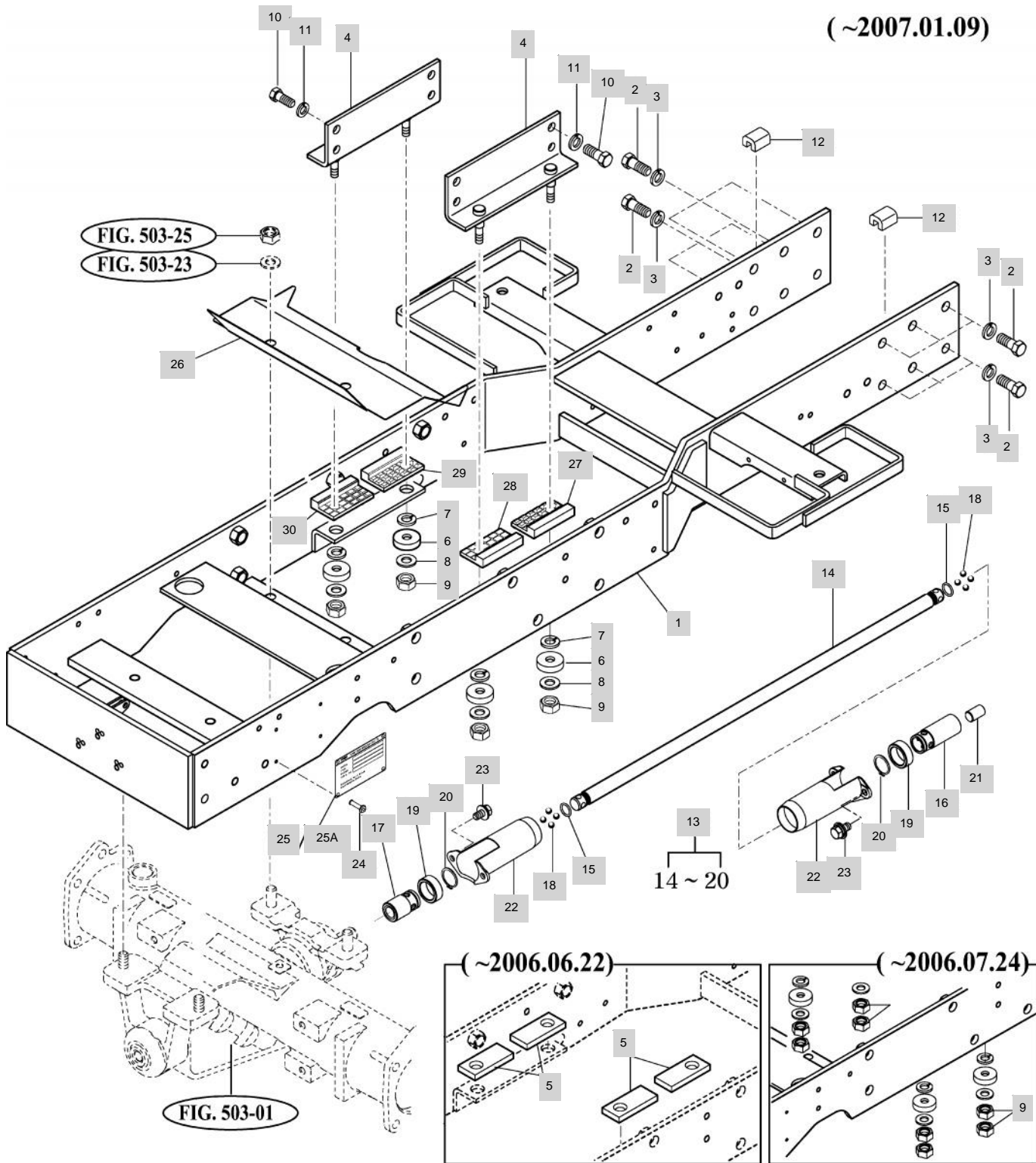
FRAME (1)

년/월
Year/Month

2020.07

T233

(~2007.01.09)



T233/T273-E-501(1/2)

NOTE

FIG 501B

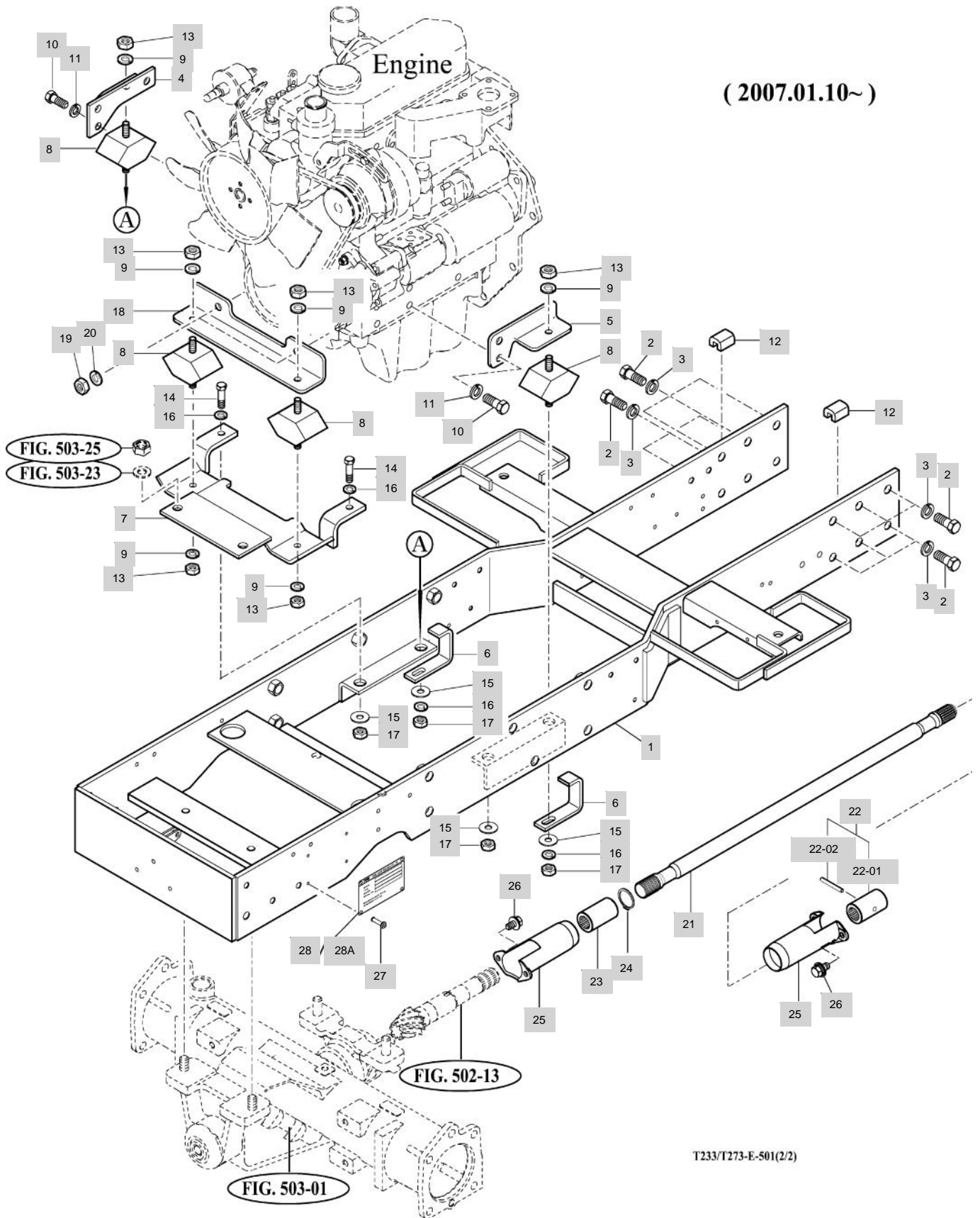
FRAME (2)

년/월
Year/Month

2020.07

T233

(2007.01.10~)



T233/T273-E-501(2/2)

NOTE

FIG 501B T233	FRAME (2)	년/월 Year/Month
		2020.07

KEY NO	PART NO	DESCRIPTION	SPEC	QTY	REPAIR	EFFECTIVE DATE	REMARKS
501B	1	13154072301DG	FRAME COMP , AXLE	1X1X1	1		20060420
501B	2	V2014614035	BOLT , HEX	M14X35	12		20050913
501B	3	V4011600140	WASHER , SPRING	M14	8		20080701
501B	4	13154070400DG	SUPPORT , ENGINE LH	150X45	1		20070110
501B	5	13154070500DG	SUPPORT , ENGINE RH	105X45X47	1		20070110
501B	6	13154070600DG	BRACKET , STOPPER	61.5X85X25	2		20070110
501B	7	13154073001DG	BRACKET COMP , STAY	330X220X51	1		20070212
501B	8	36501510110	RUBBER , E/G MOUNT	93.5X86X50	4		20070110
501B	9	V4011600100	WASHER , SPRING	M10	1		20090608
501B	10	V2024612030	BOLT , HEX FINE	M12X30	4		20090428
501B	11	V4011600120	WASHER , SPRING	M12	0		20090429
501B	12	13156250032	INSULATOR	1X1X1	2		
501B	13	V3043600100	NUT , HEX/2	M10	1		20070110
501B	14	V2173610030	BOLT , HEX/S	M10X30	2		20070110
501B	15	14441160070	WASHER , 11X30X2	T=1.6	4		
501B	16	V4011600100	WASHER , SPRING	M10	1		20090608
501B	17	V3043600100	NUT , HEX/2	M10	1		20070110
501B	18	13154070201DG	BRACKET , SUPPORT ENG	300X50X55	1		20070212
501B	19	V3343600120	NUT , HEX FINE/2	M12	2		20070110
501B	20	V4011600120	WASHER , SPRING	M12	0		20090429
501B	21	13154100010DG	SHAFT , 4WD	1X1X1	1		
501B	22	13151342100DG	COUPLING SUB		1		20070110
501B	22-01	14211340190	COUPLING	22X51	1		20100702
501B	22-02	V5801404025	PIN , SPRING	4X25	1		20070101
501B	23	14211340190DG	COUPLING		1		20070110
501B	24	V7041400200	C-RING , SHAFT	20	1		20070110
501B	25	13154100013	COVER, JOINT	133X90	2		
501B	26	V2173608016	BOLT , HEX/S	M8X16	4		20121113
501B	27	V5502040093	RIVET , BLIND	4X9.3	4		
501B	28	T0019010041	LABEL , MODEL/EN	1X1X1	1		20060101
501B	28A	13199040221	LABEL , MODEL/EN	1X1X1	1		20070910

NOTE	
-------------	--

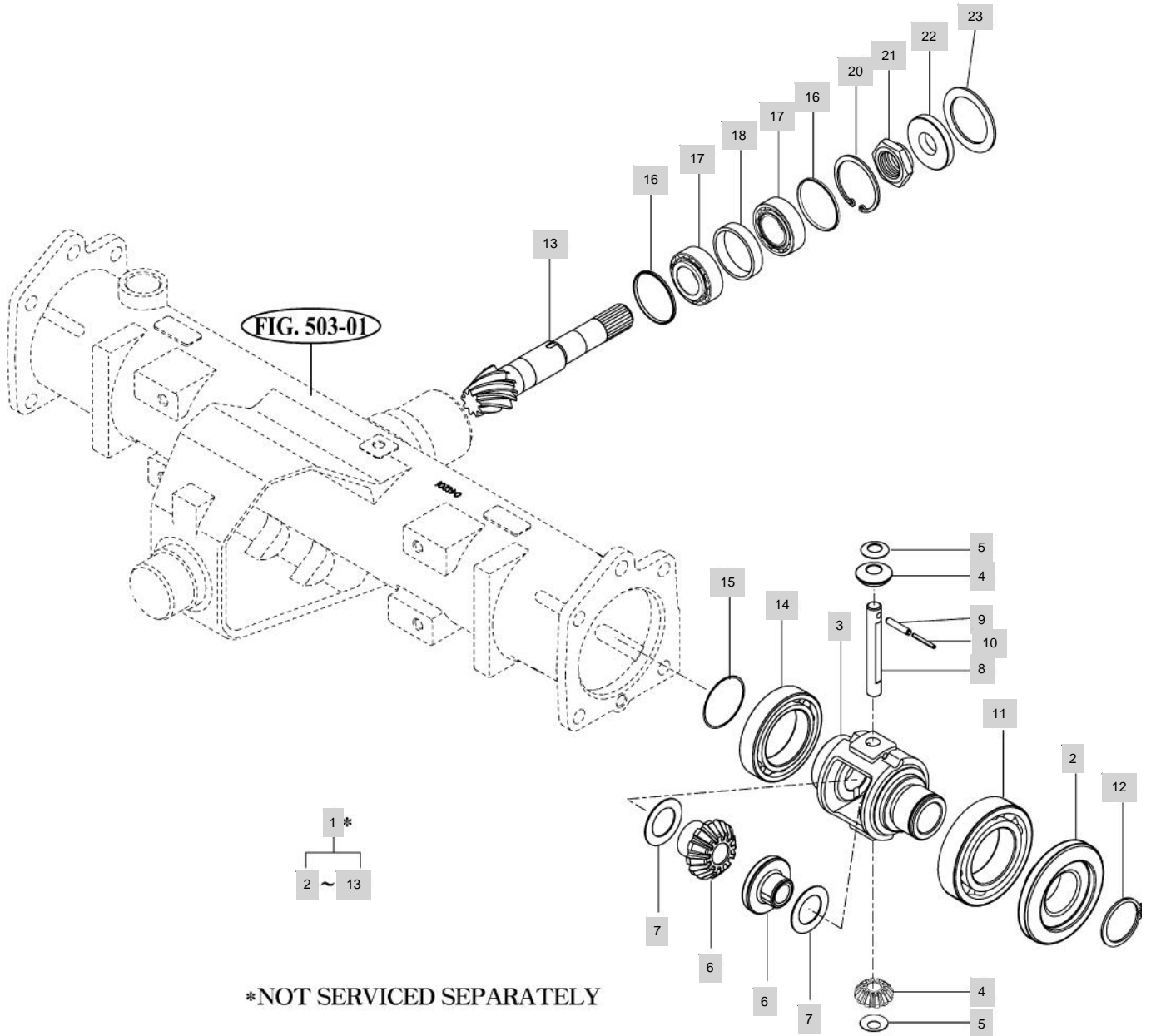
FIG 502

FRONT DIFFERENTIAL GEARS & SHAFT

년/월
Year/Month

2020.07

T233



T233/T273-E-502A

NOTE

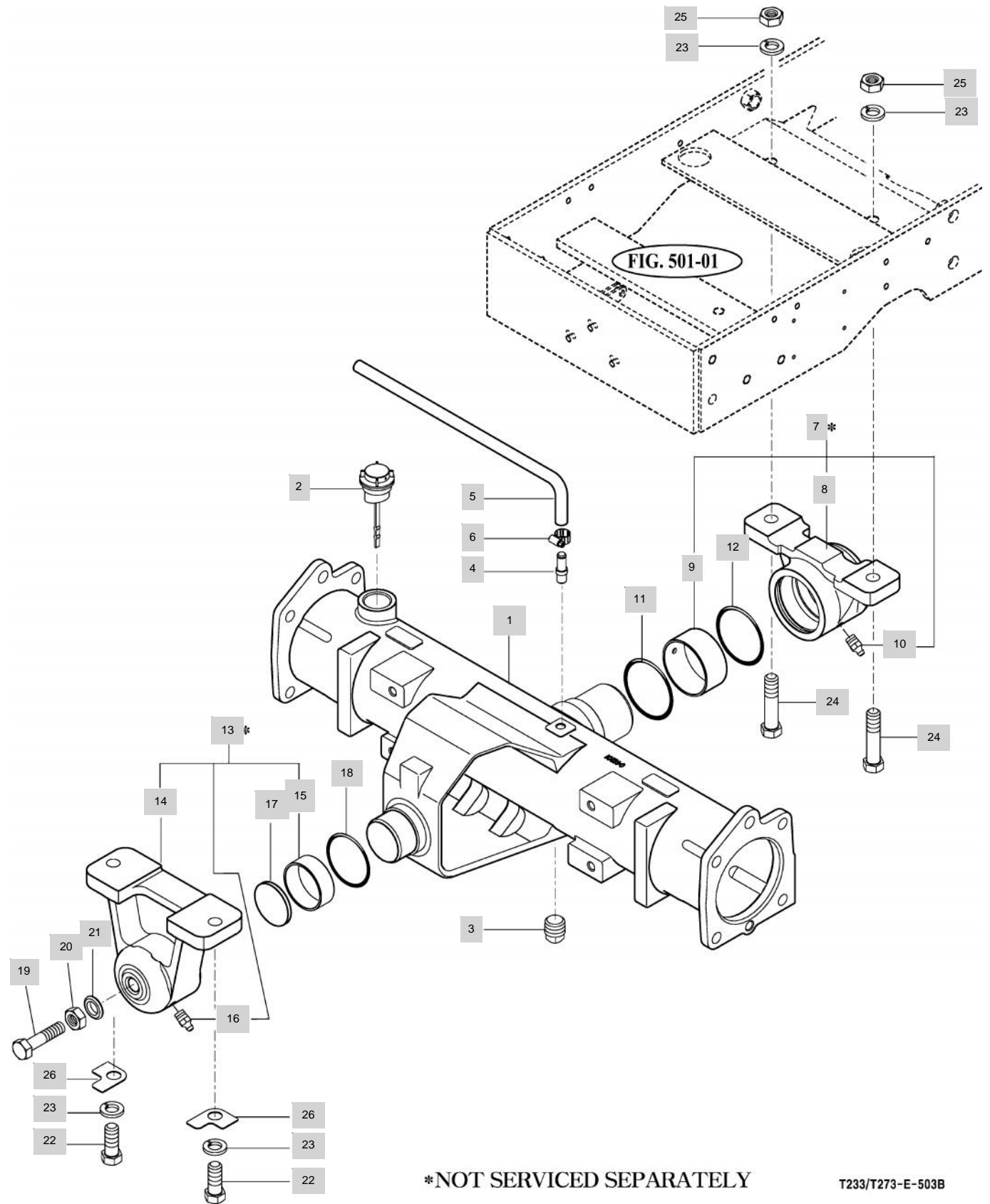
FIG 503

T233

FRONT AXLE HOUSING

년/월
Year/Month

2020.07



NOTE

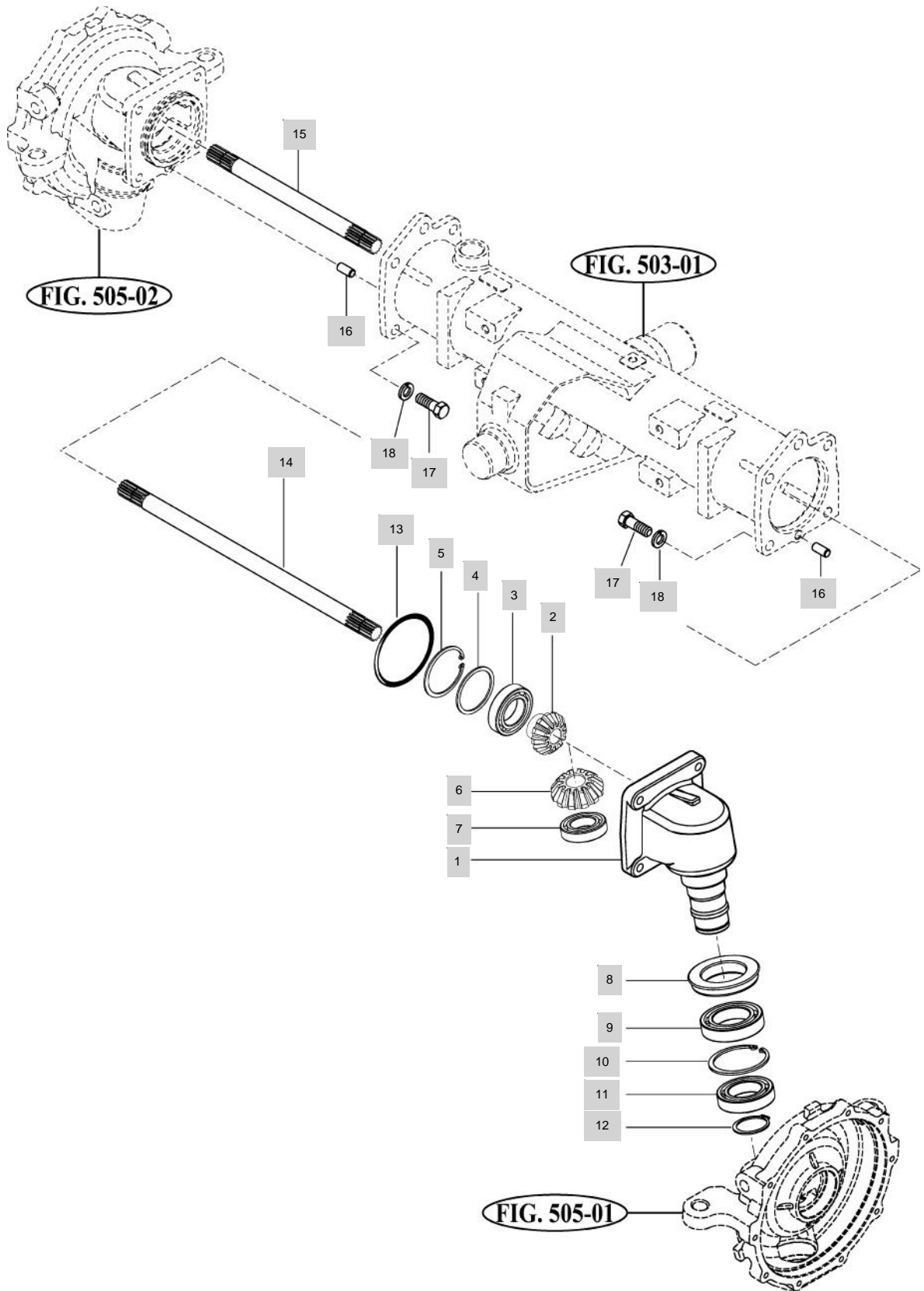
FIG 504

FRONT GEAR CASE (1)

년/월
Year/Month

T233

2020.07



T233/T273-E-504A

NOTE

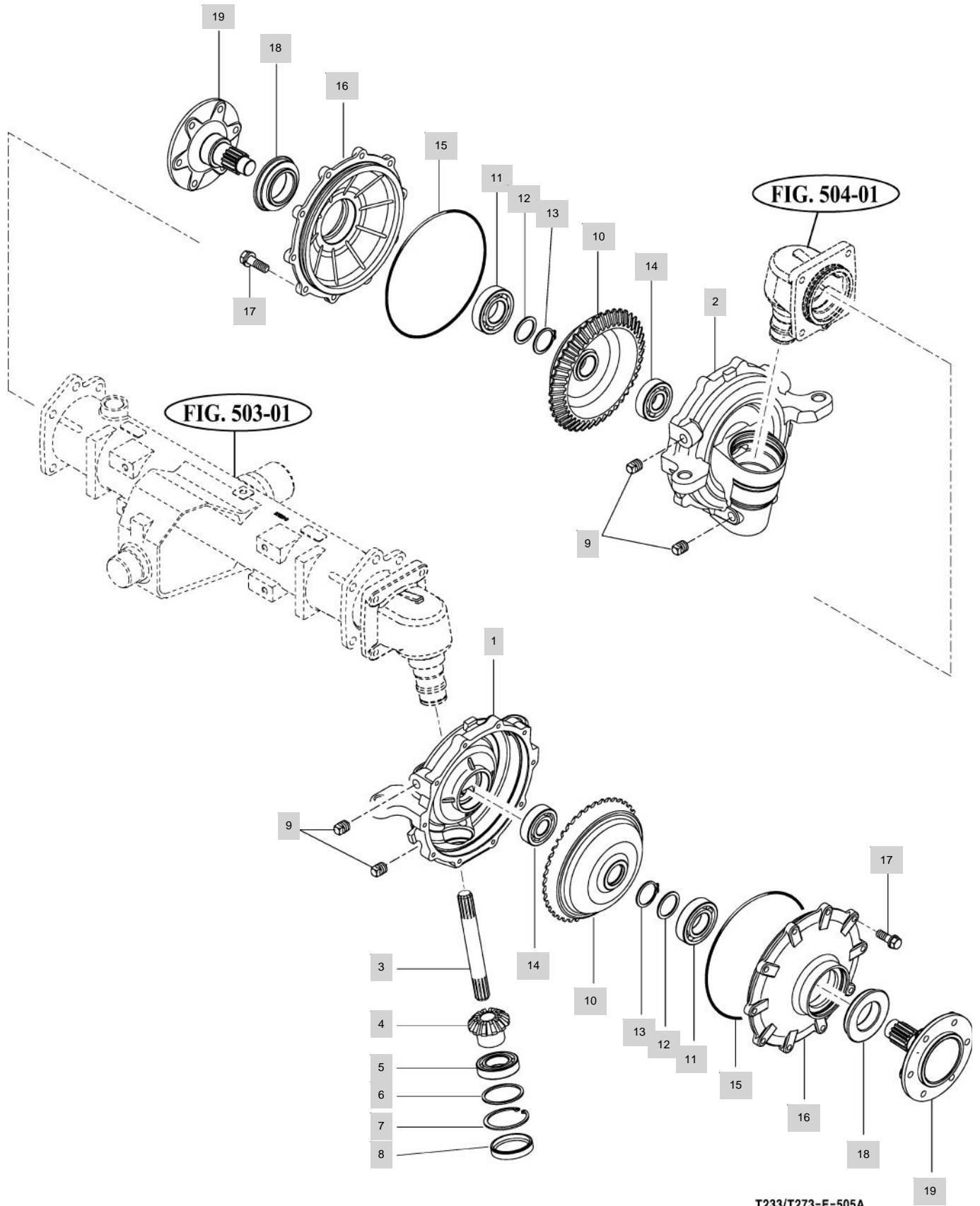
FIG 505

FRONT GEAR CASE (2)

년/월
Year/Month

2020.07

T233



T233/T273-E-505A

NOTE

6. HYDRAULICS & 3-POINT LINK PART NO. T233-E-C6

FIG 601 CYLINDER CASE	172
FIG 602 LIFT ARM	174
FIG 603 FLOW CONTROL VALVE	176
FIG 604 CONTROL VALVE LINKAGE	178
FIG 605 MAIN CONTROL VALVE	180
FIG 606 REMOTE CONTROL VALVE	182
FIG 607 POSITION LEVER LINKAGE	184
FIG 608 HYDRAULIC PUMP & GEAR PUMP	186
FIG 609 HYDRAULIC HOSE (1)	188
FIG 610 HYDRAULIC HOSE (2)	190
FIG 611 PTO VALVE	192
FIG 612 3-POINT LINKAGE	194
FIG 613 JOYSTICK LEVER	197
FIG 614 HITCH & COVER	199

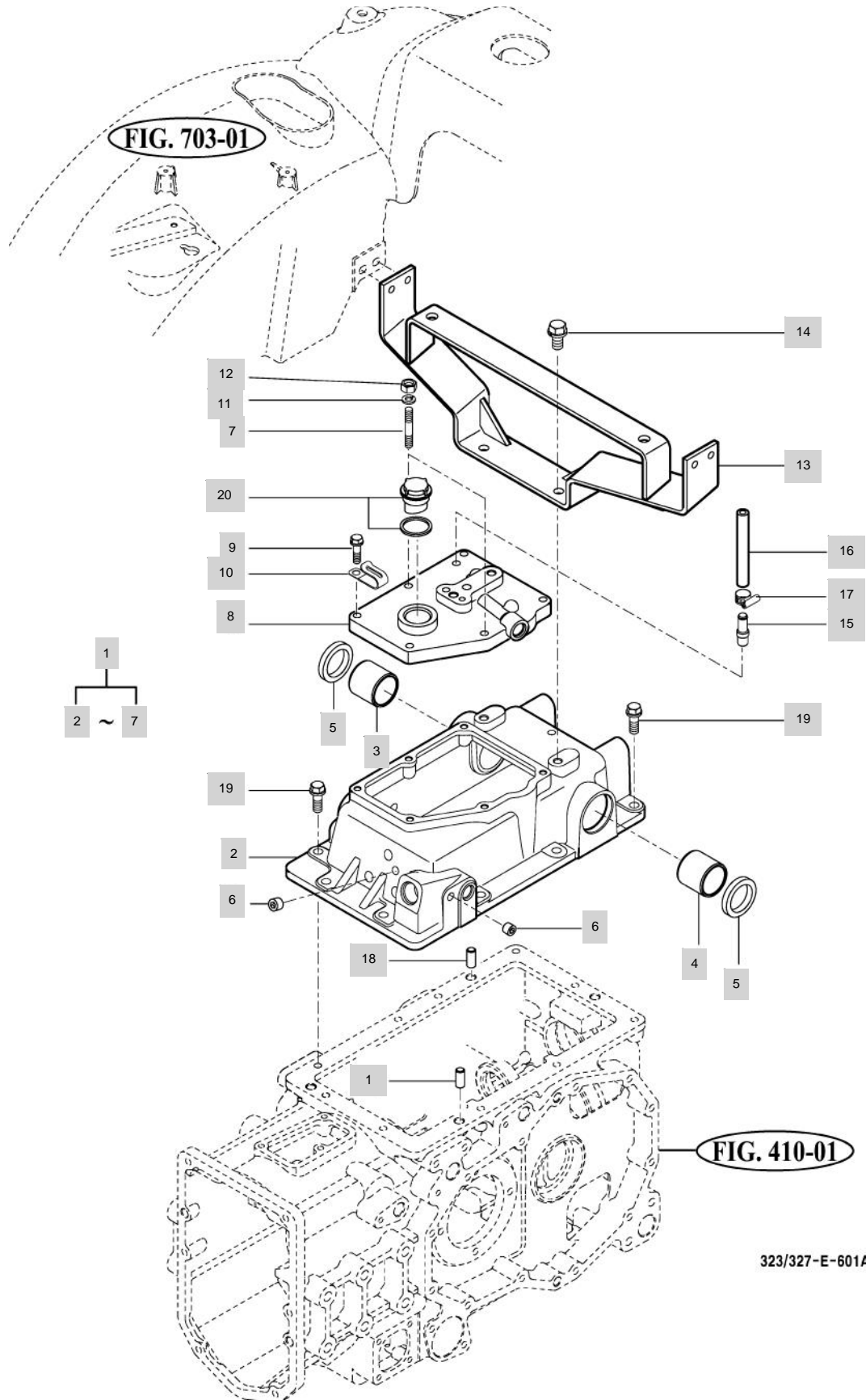
FIG 601

T233

CYLINDER CASE

년/월
Year/Month

2020.07



323/327-E-601A

NOTE

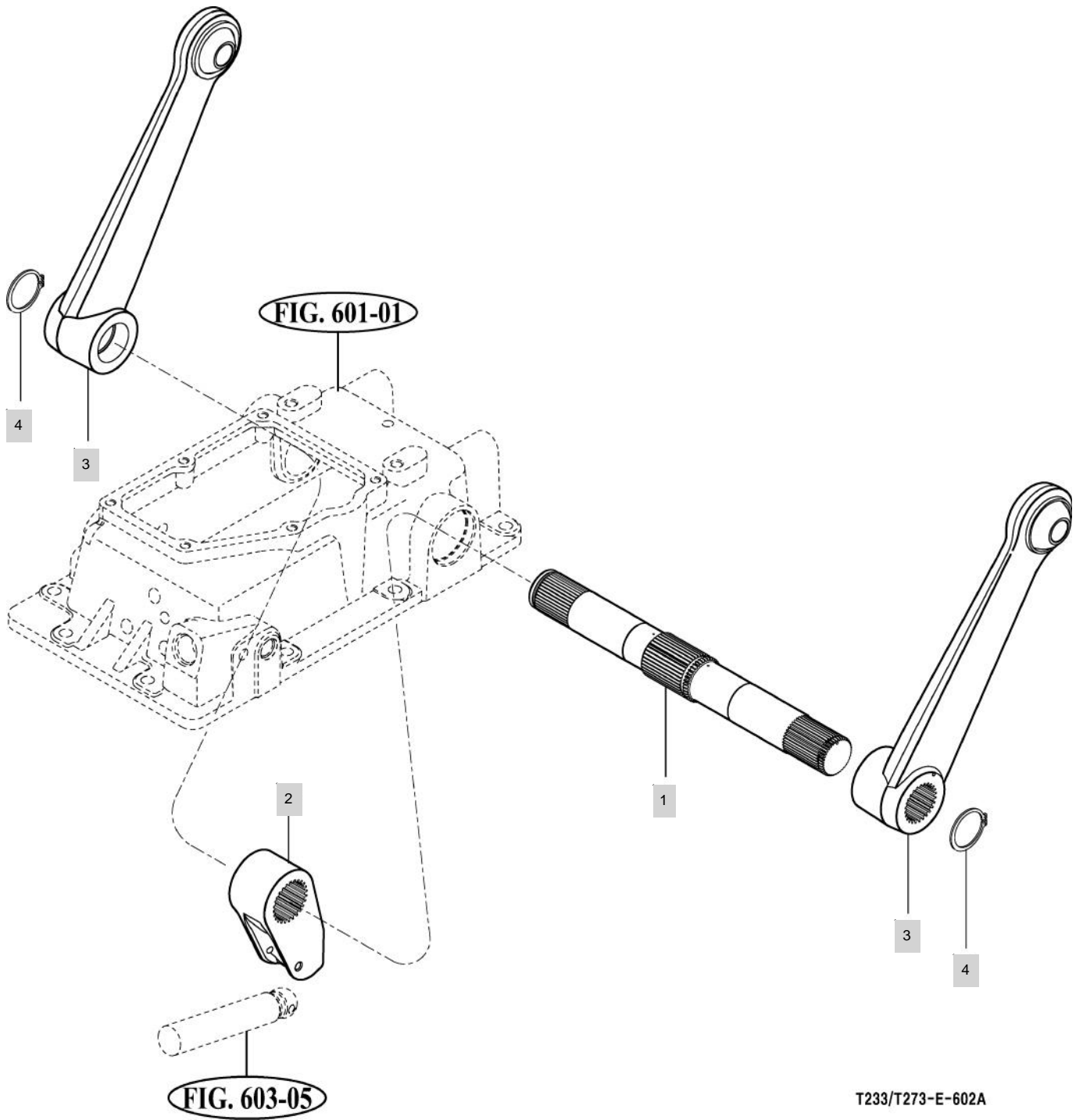
FIG 602

T233

LIFT ARM

년/월
Year/Month

2020.07



T233/T273-E-602A

NOTE

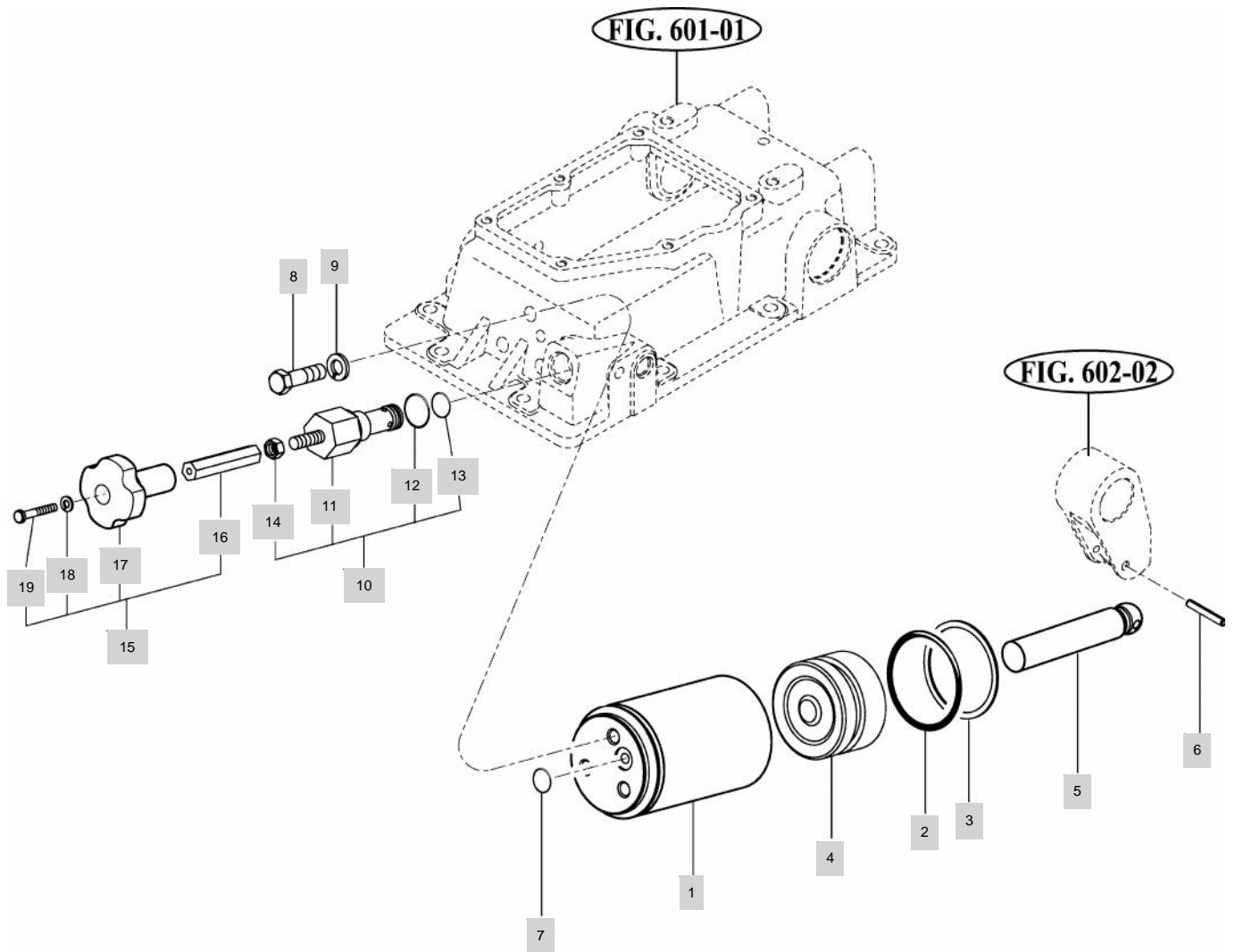
FIG 603

T233

FLOW CONTROL VALVE

년/월
Year/Month

2020.07



T233/T273-E-603A

NOTE

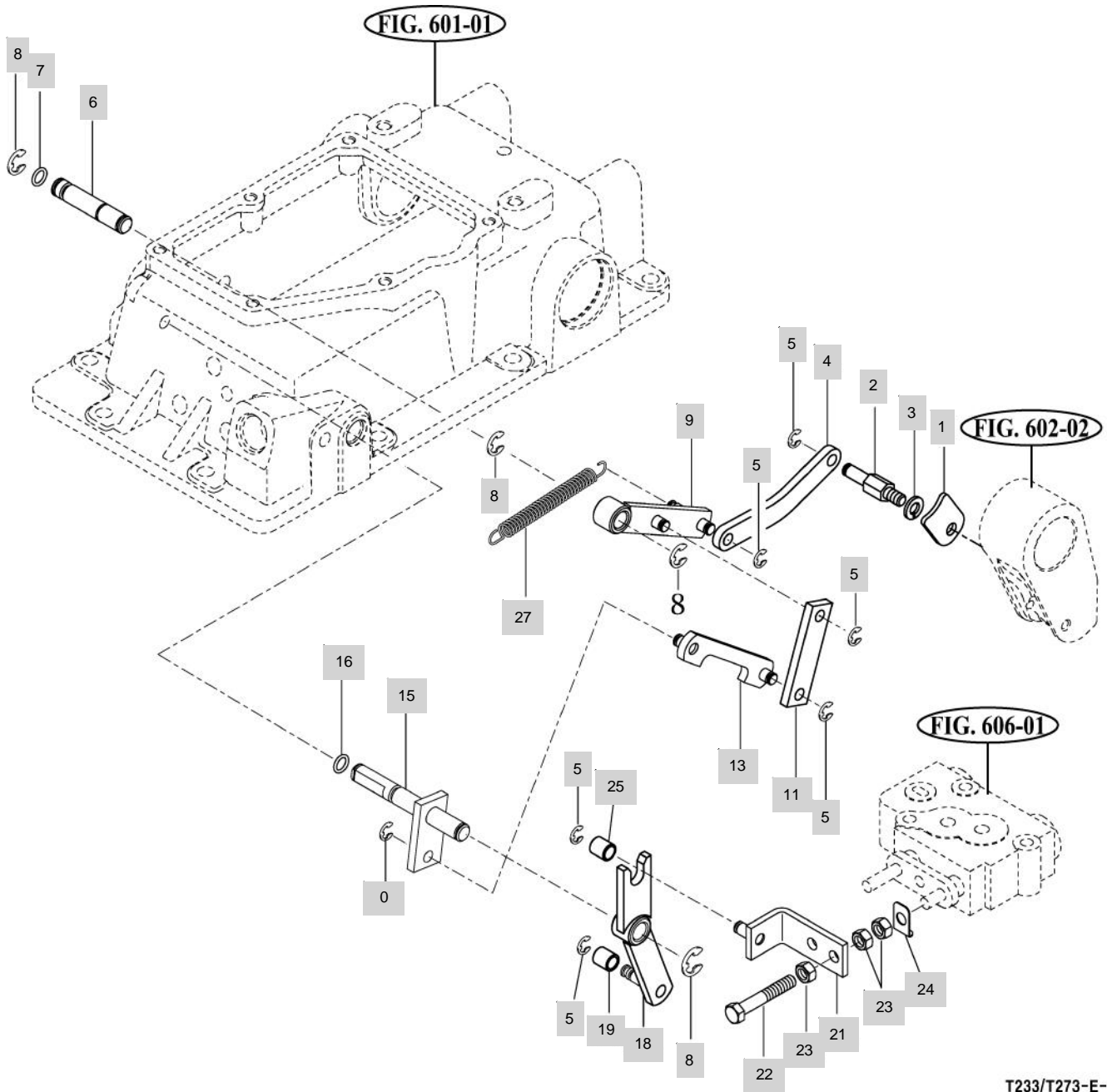
FIG 604

T233

CONTROL VALVE LINKAGE

년/월
Year/Month

2020.07



T233/T273-E-604A

NOTE

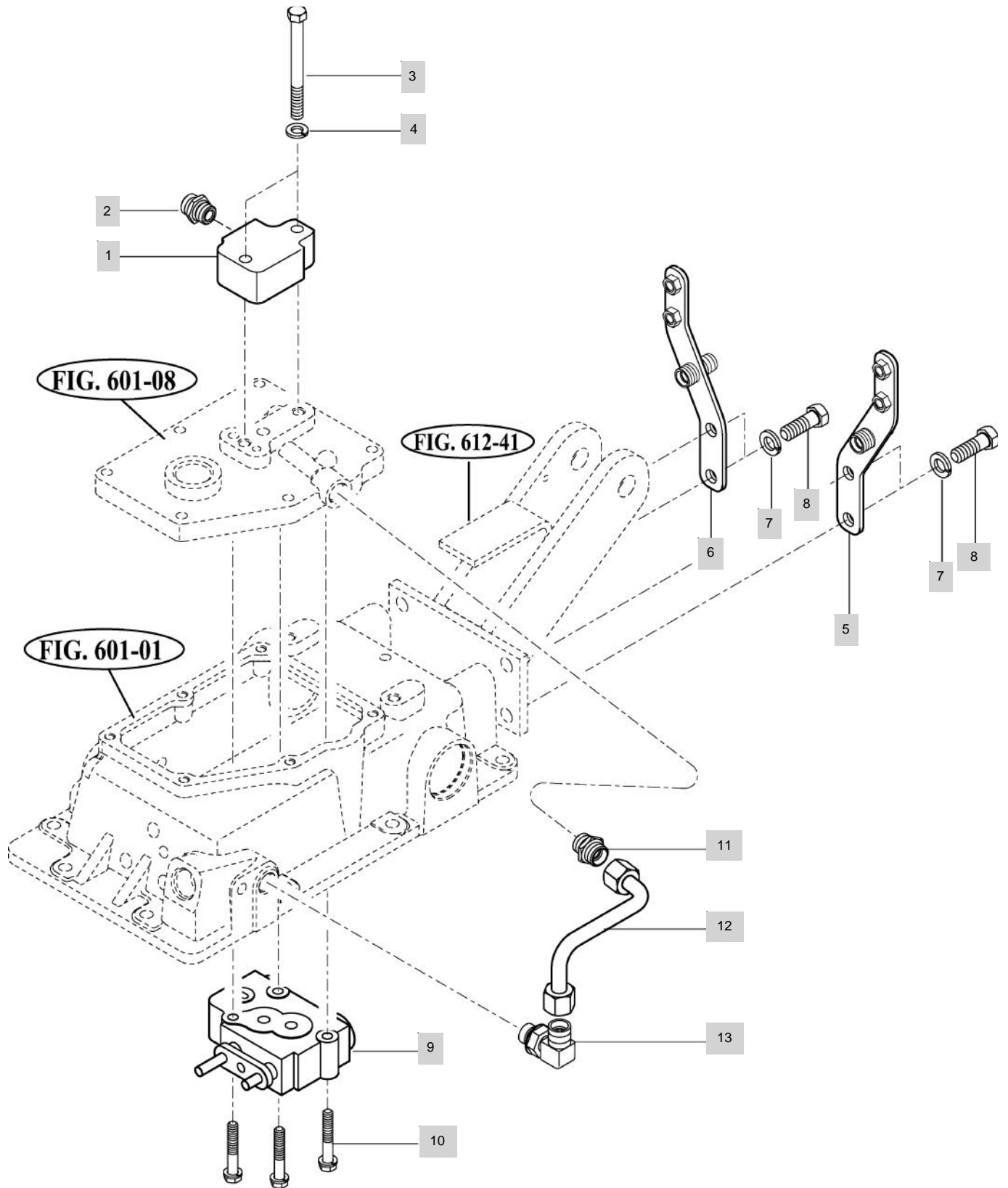
FIG 605

MAIN CONTROL VALVE

년/월
Year/Month

T233

2020.07



T233/T273-E-606B

NOTE

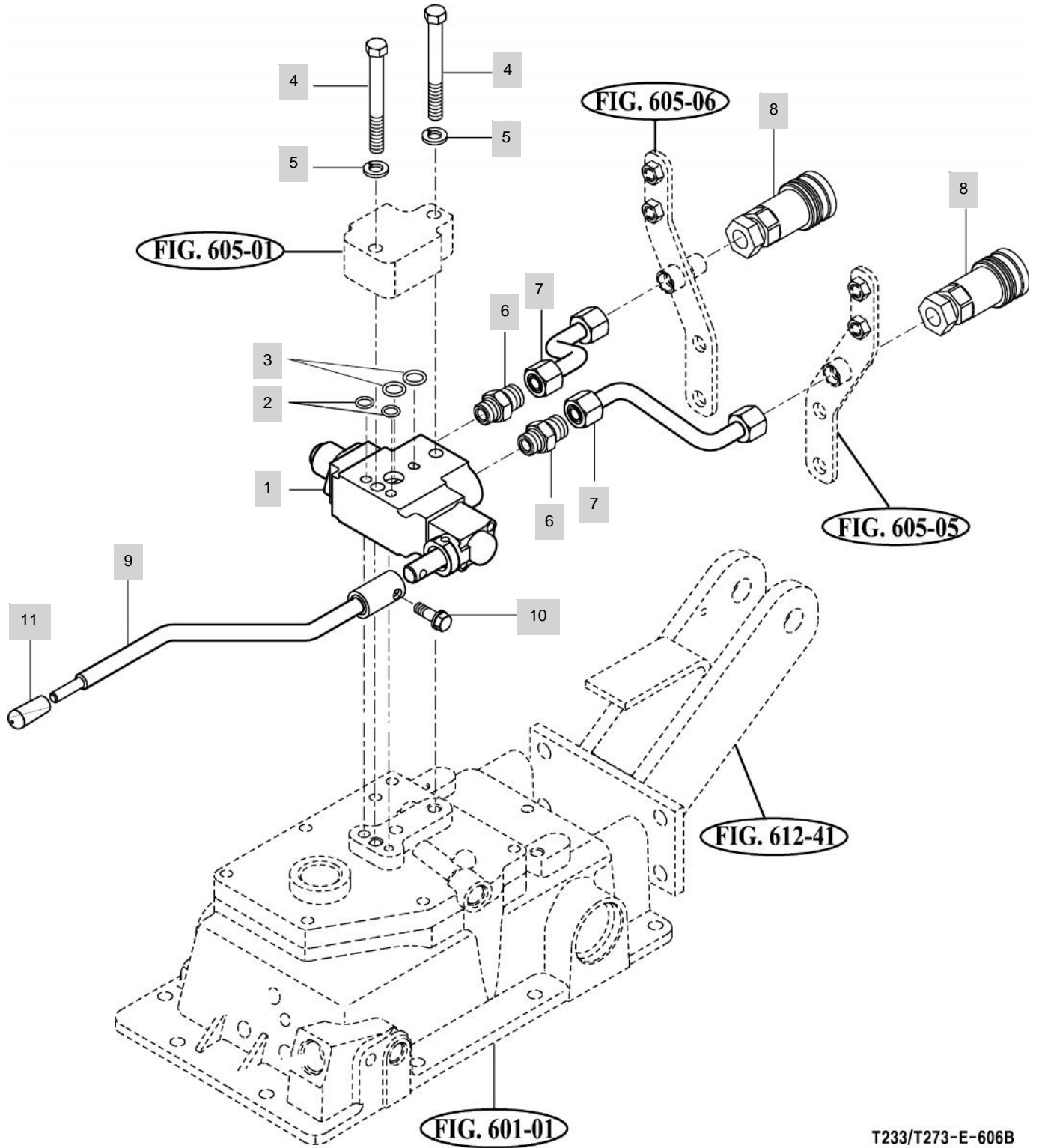
FIG 606

T233

REMOTE CONTROL VALVE

년/월
Year/Month

2020.07



T233/T273-E-606B

NOTE

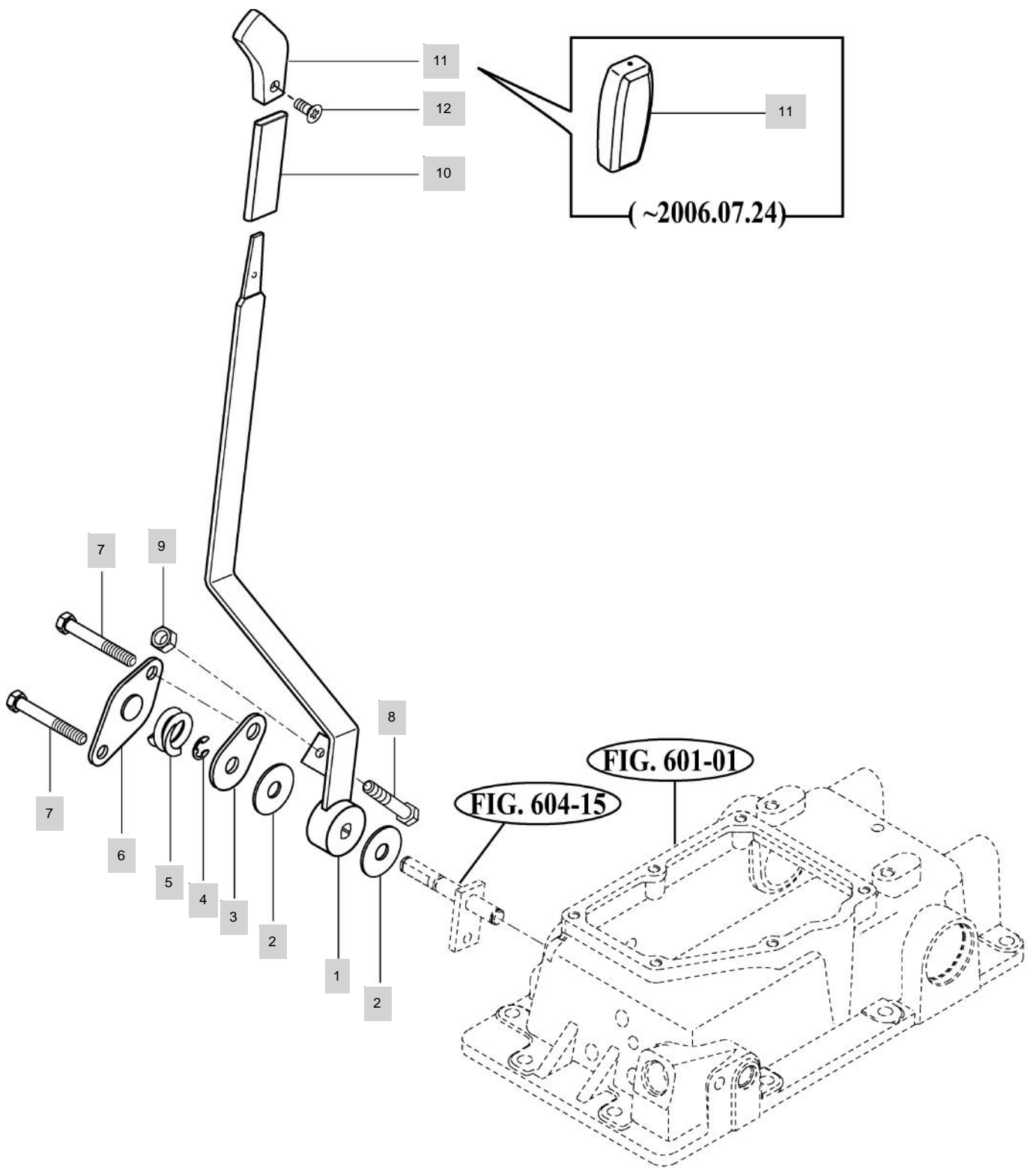
FIG 607

T233

POSITION LEVER LINKAGE

년/월
Year/Month

2020.07



T233/T273-E-607A

NOTE

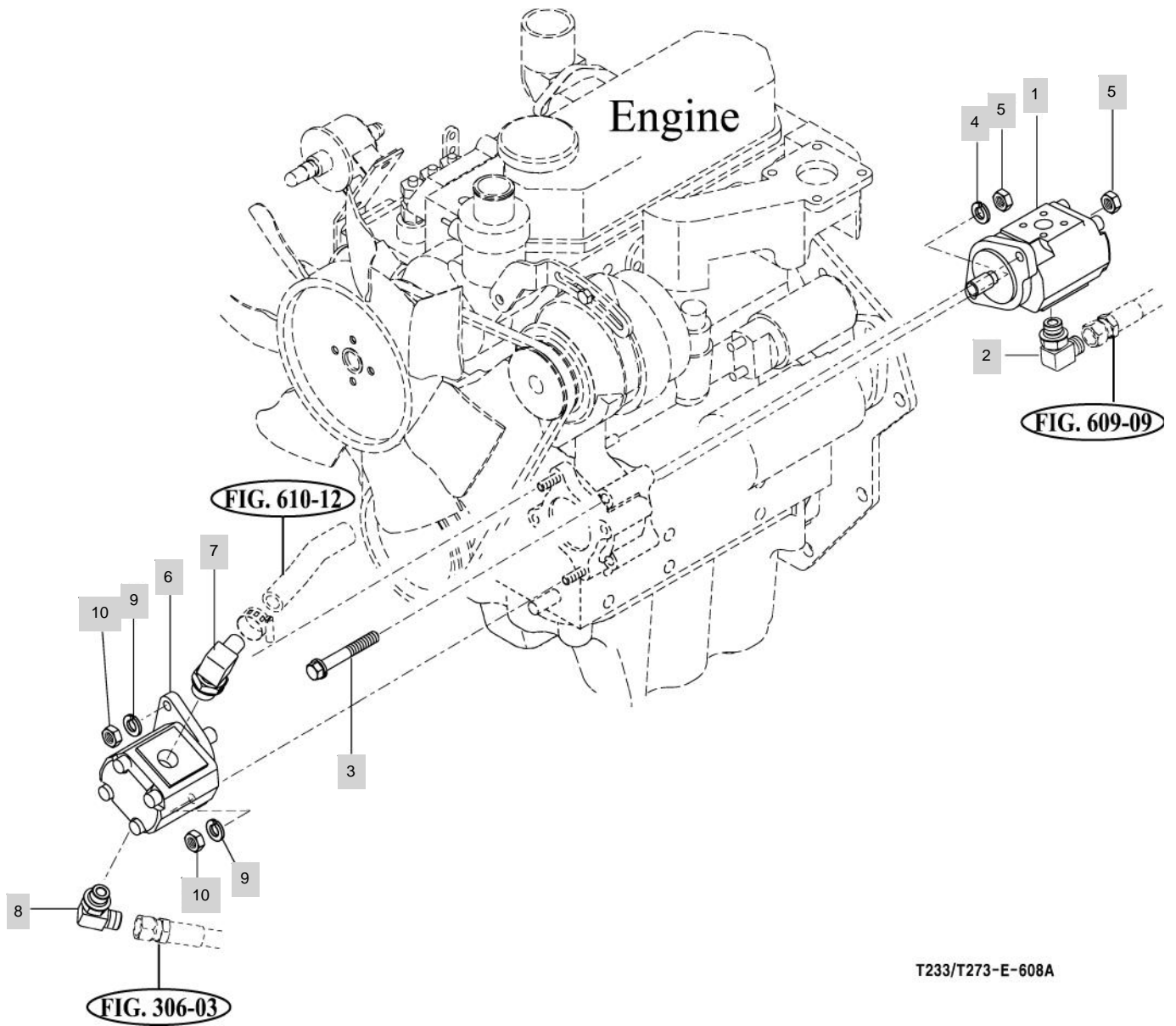
FIG 608

T233

HYDRAULIC PUMP & GEAR PUMP

년/월
Year/Month

2020.07



T233/T273-E-608A

NOTE

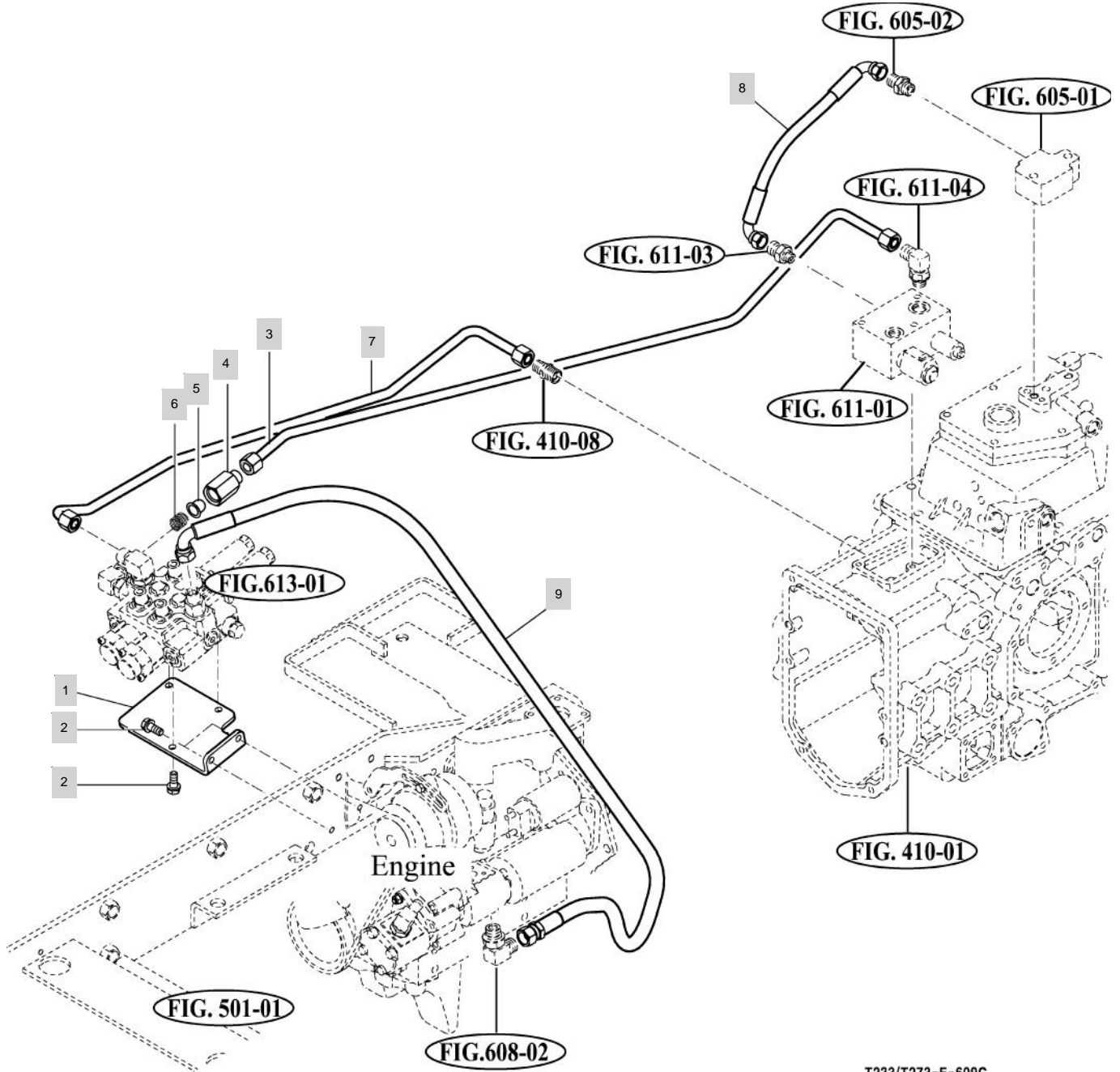
FIG 609

T233

HYDRAULIC HOSE (1)

년/월
Year/Month

2020.07



T233/T273-E-609C

NOTE

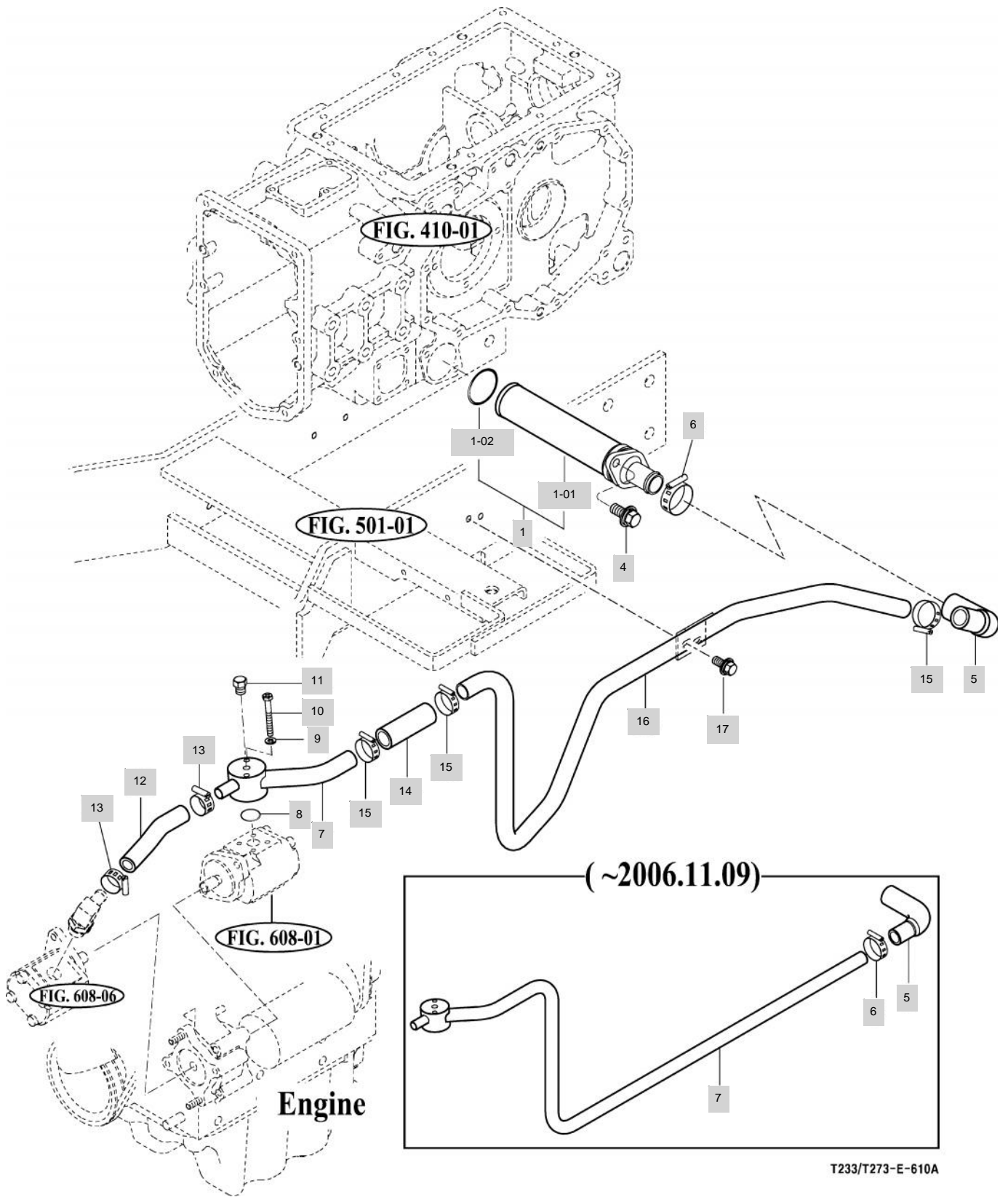
FIG 610

T233

HYDRAULIC HOSE (2)

년/월
Year/Month

2020.07



T233/T273-E-610A

NOTE

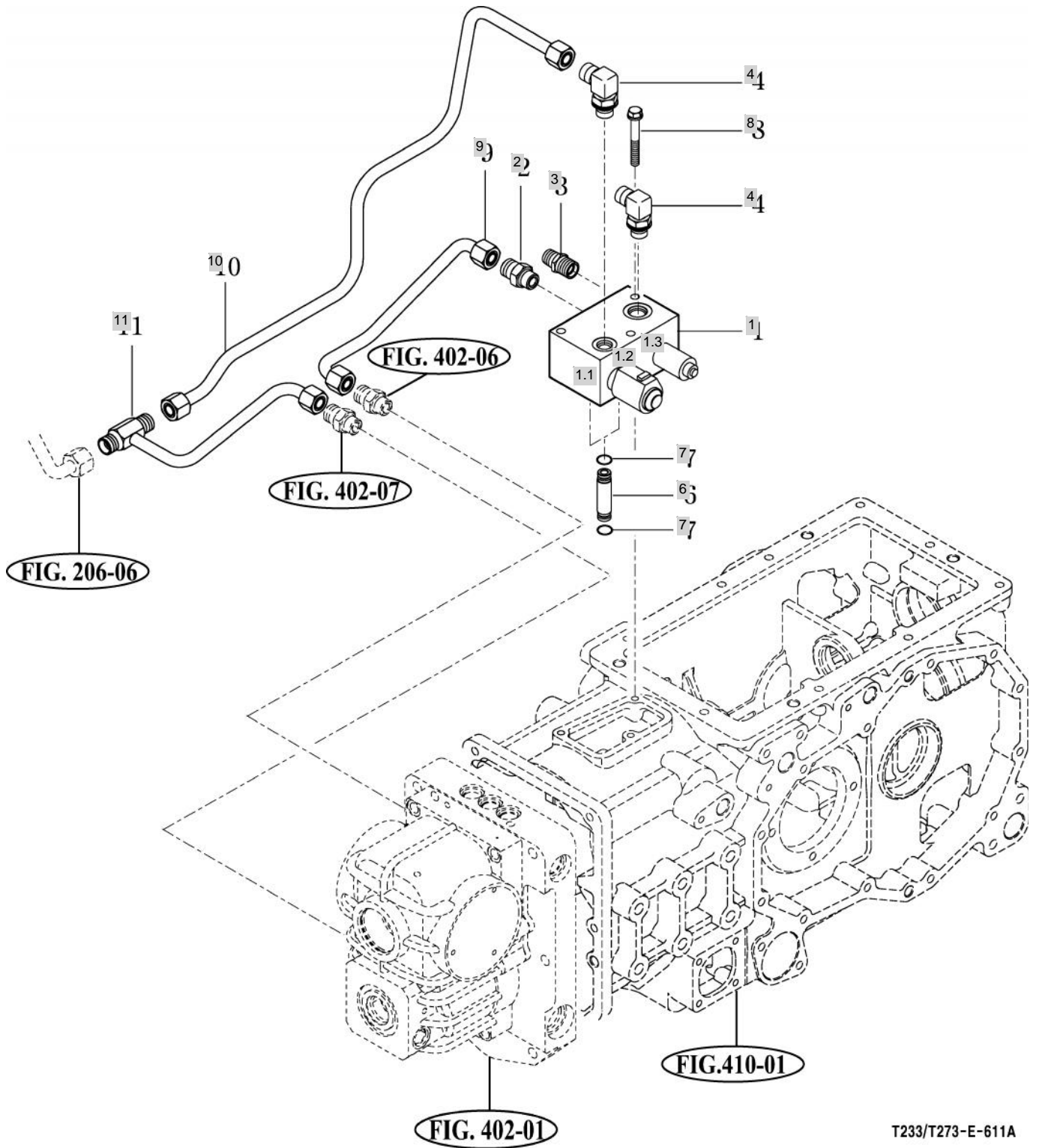
FIG 611

PTO VALVE

년/월
Year/Month

T233

2020.07



NOTE

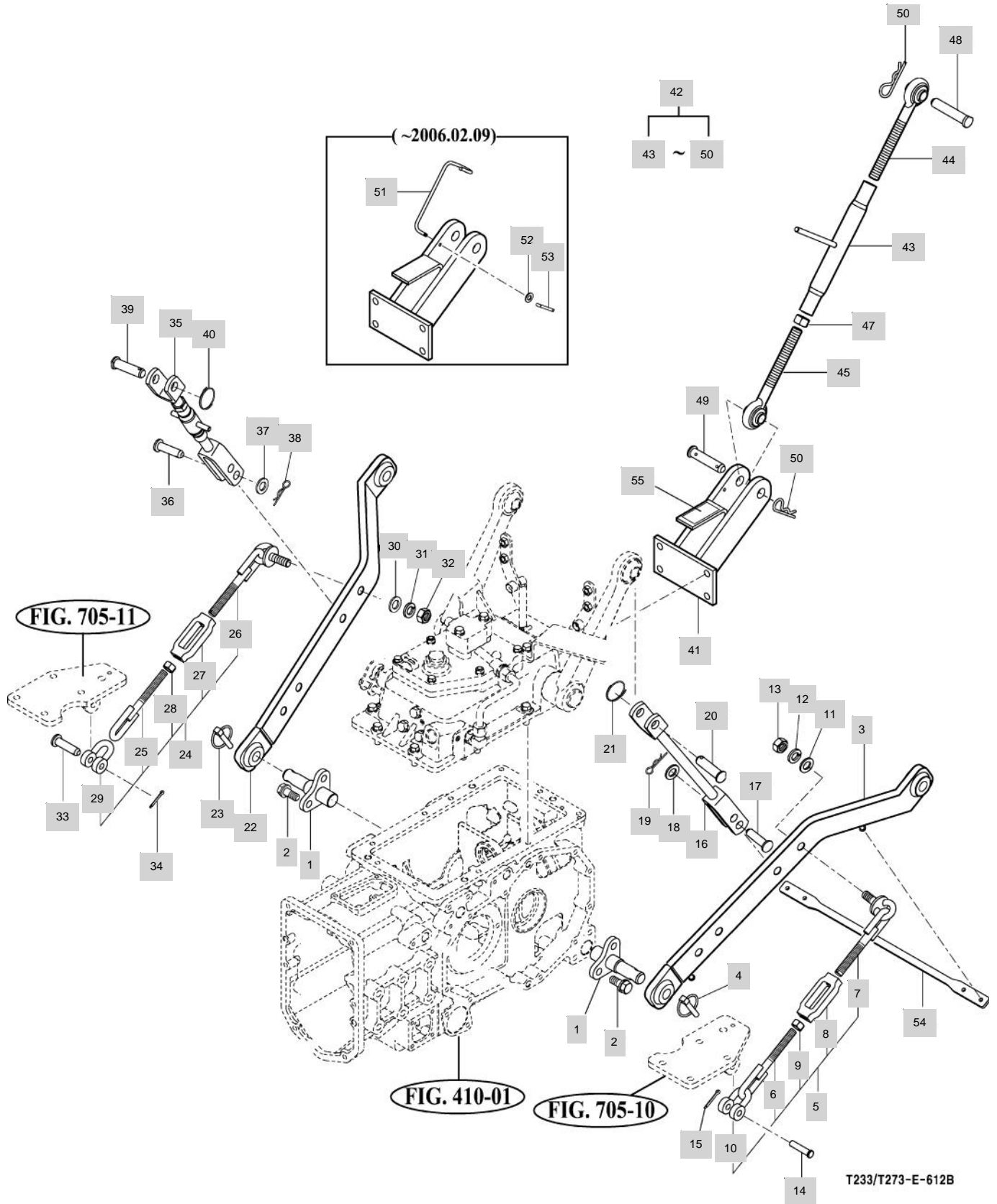
FIG 612

3-POINT LINKAGE

년/월
Year/Month

T233

2020.07



NOTE

FIG 612		3-POINT LINKAGE					년/월	
							Year/Month	
T233							2020.07	
KEY NO	PART NO	DESCRIPTION	SPEC	QTY	REPAIR	EFFECTIVE DATE	REMARKS	
612	1	13155205100	PIN COMP, 115	82X115X50	2			
612	2	V2173612030	BOLT , HEX/S	M12X30	4			
612	3	13155202202	LOWER LINK COMP , LH	95X740X50	1	20060401		
612	4	14215020020	PIN , LINK		3	20060502		
612	5	13155202501	CHAIN ASSY , CHECK	1X1X1	1			
612	6	14585142600	CHAIN COMP , RH CHECK	10X180X34	1			
612	7	14725142700	CHAIN COMP , LH CHECK	72X175X34	1			
612	8	13155202511	TURNBUCKLE	D20X44X104	1			
612	9	V3042600140	NUT , HEX/2	M14	1			
612	10	16705142520	SHACKLE , CHECK CHAIN	1X1X1	1	20060922		
612	11	13016400010	SEAL , BATTERY BRACKET	T=0.25	1	20111130		
612	12	V4011600160	WASHER , SPRING	M16	3	20081226		
612	13	V3013600160	NUT , HEX/2	M16	1	20040101		
612	14	79636110030	PIN , 12X48	D=12	1	20040101		
612	15	V5001930020	PIN , SPLIT	3X20	1	20040101		
612	16	13155202401	LIFT ROD COMP , LH	450X60X47	1	20060401		
612	17	79636130050	PIN , 16X60	D=16	1	20040101		
612	18	13016400010	SEAL , BATTERY BRACKET	T=0.25	1	20111130		
612	19	13059310030	PIN	D=2.3	1	20060609		
612	20	16705020050	PIN , 19X69	19X75X26	1			
612	21	16735240060	Spring	D48	1	20030401		
612	22	13155203102	LOWER LINK COMP , RH	1X1X1	1	20060401		
612	23	14215020020	PIN , LINK		3	20060502		
612	24	13155202501	CHAIN ASSY , CHECK	1X1X1	1			
612	25	14585142600	CHAIN COMP , RH CHECK	10X180X34	1			
612	26	14725142700	CHAIN COMP , LH CHECK	72X175X34	1			
612	27	13155202511	TURNBUCKLE	D20X44X104	1			
612	28	V3042600140	NUT , HEX/2	M14	1			
612	29	16705142520	SHACKLE , CHECK CHAIN	1X1X1	1	20060922		
612	30	13016400010	SEAL , BATTERY BRACKET	T=0.25	1	20111130		
612	31	V4011600160	WASHER , SPRING	M16	3	20081226		
612	32	V3013600160	NUT , HEX/2	M16	1	20040101		
612	33	79636110030	PIN , 12X48	D=12	1	20040101		
612	34	V5001930020	PIN , SPLIT	3X20	1	20040101		
612	35	13155203201	LIFT ROD ASSY , RH	1X1X1	1	20060401		
612	36	79636130050	PIN , 16X60	D=16	1	20040101		
612	37	13016400010	SEAL , BATTERY BRACKET	T=0.25	1	20111130		
612	38	13059310030	PIN	D=2.3	1	20060609		
612	39	16705020050	PIN , 19X69	19X75X26	1			
612	40	16735240060	Spring	D48	1	20030401		
612	41	13155204104	BRACKET COMP, TOP LINK	144X245X150	1			
612	42	13155206003	TOP LINK ASSY	1X1X1	1	20130226		
612	43	13155206111	TURN BUCKLE	31.8X4.5	1			
612	44	13155206121	JOINT , LH	1X1X1	1			
612	45	13155206131	JOINT , RH	1X1X1	1			
NOTE								

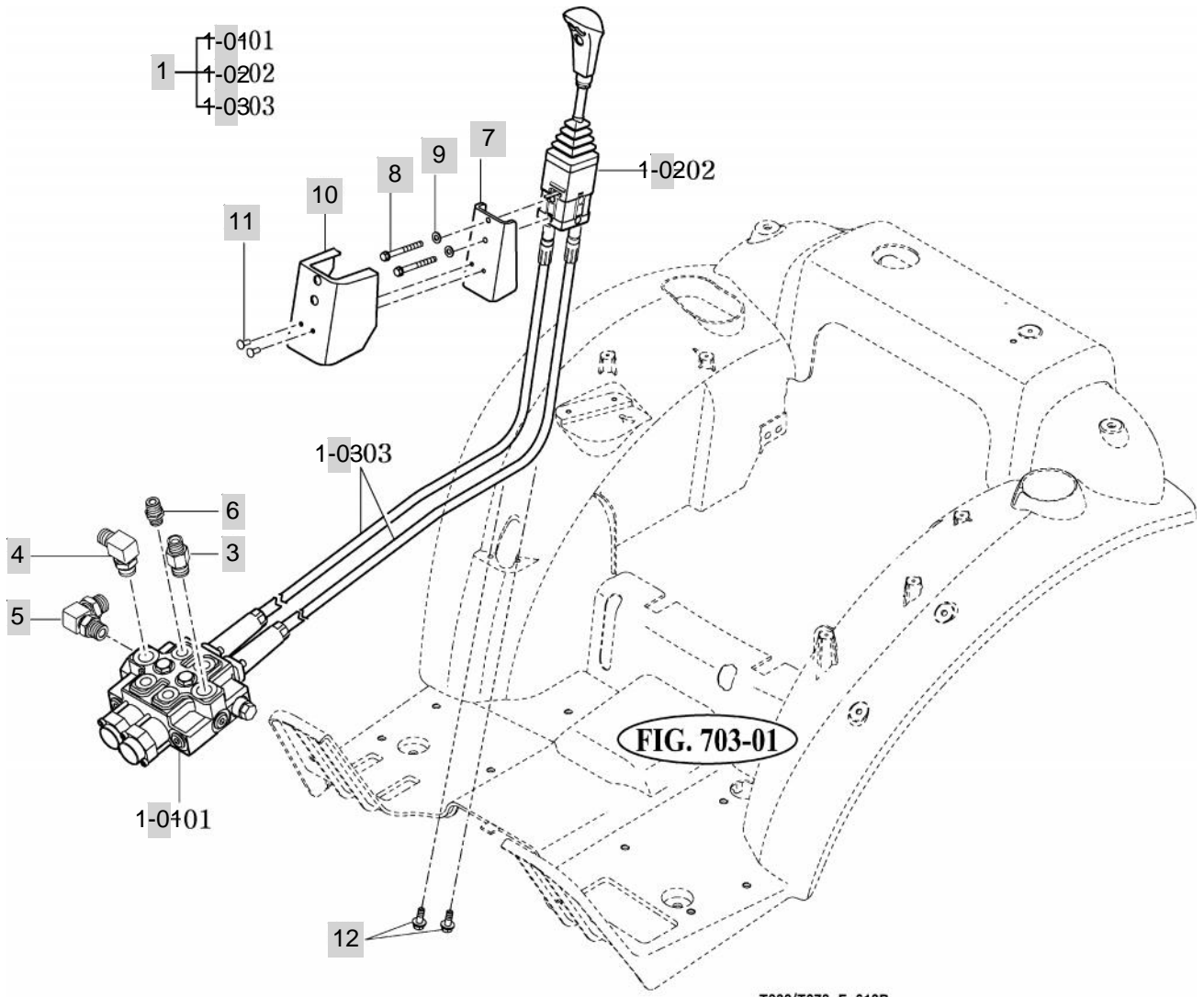
FIG 613

T233

JOYSTICK LEVER

년/월
Year/Month

2020.07



NOTE

FIG 614

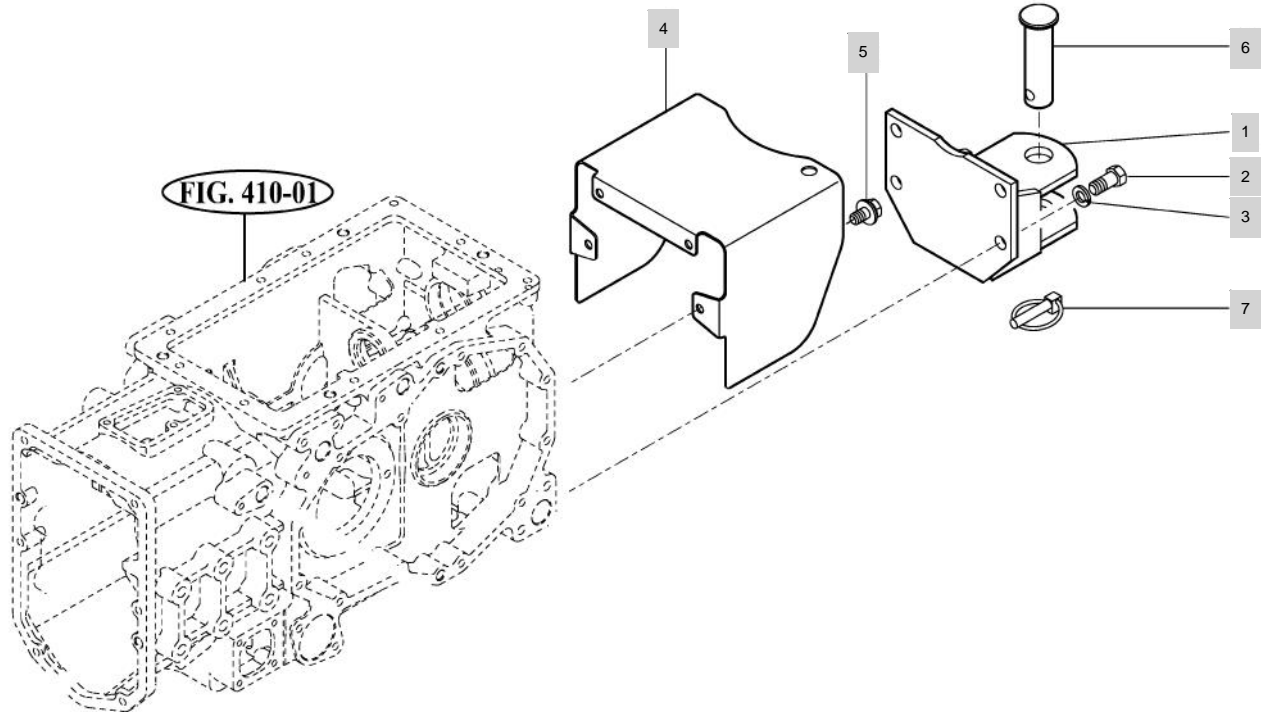
HITCH & COVER

년/월
Year/Month

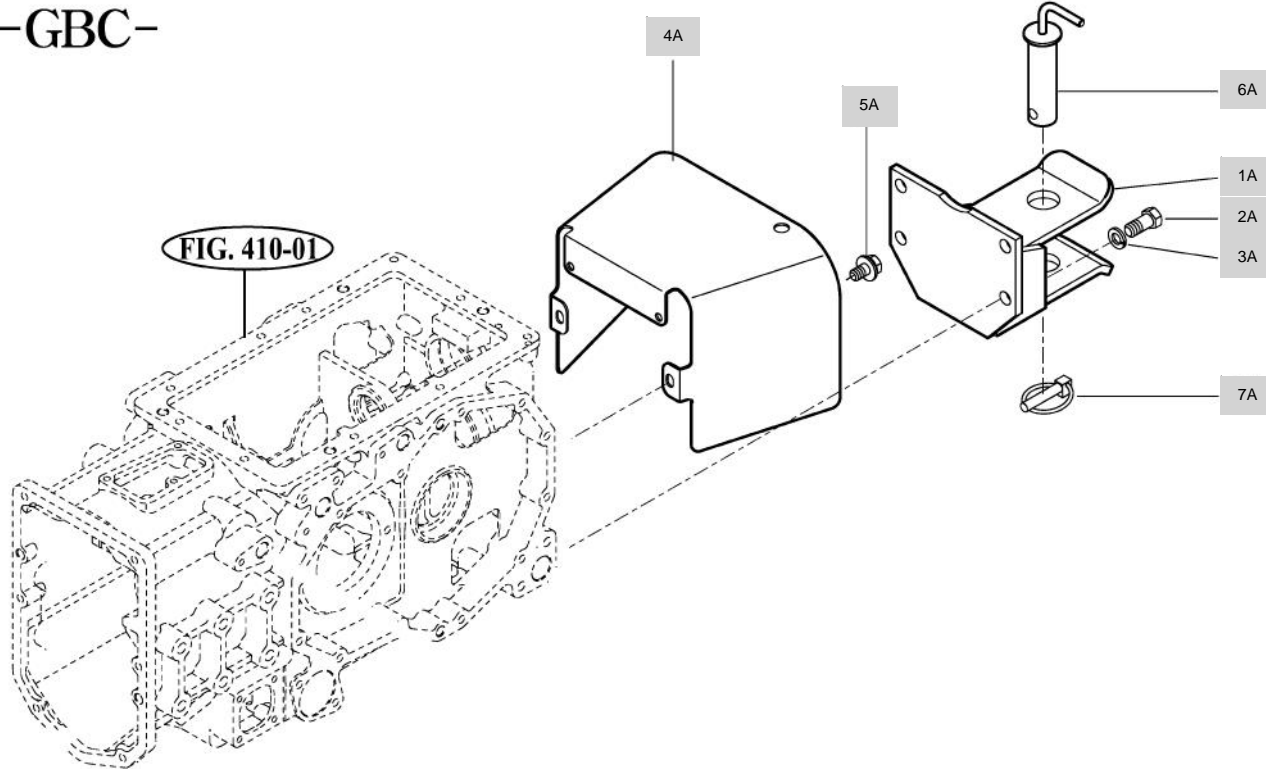
2020.07

T233

-USM,USJ-



-GBC-



T233/T273-E-614A

NOTE

7. SHEET METAL & ROPS PART NO. T233-E-C7

FIG 701A BONNET (1)	202
FIG 701B BONNET (2)	204
FIG 702 DASH PANEL	206
FIG 703 FLOOR	208
FIG 704 SEAT	210
FIG 705 ROPS	212
FIG 706 FRONT & REAR MOUNTING	214
FIG 707A SEAL FLOOR	216
FIG 707B SEAL FLOOR	218
FIG 708 CAB FRAME & DOOR	220
FIG 709 FRONT GLASS	222
FIG 710 SIDE & REAR GLASS	224
FIG 711 ROOF	226
FIG 712 HEATER	228
FIG 713 INTERIOR PART	230

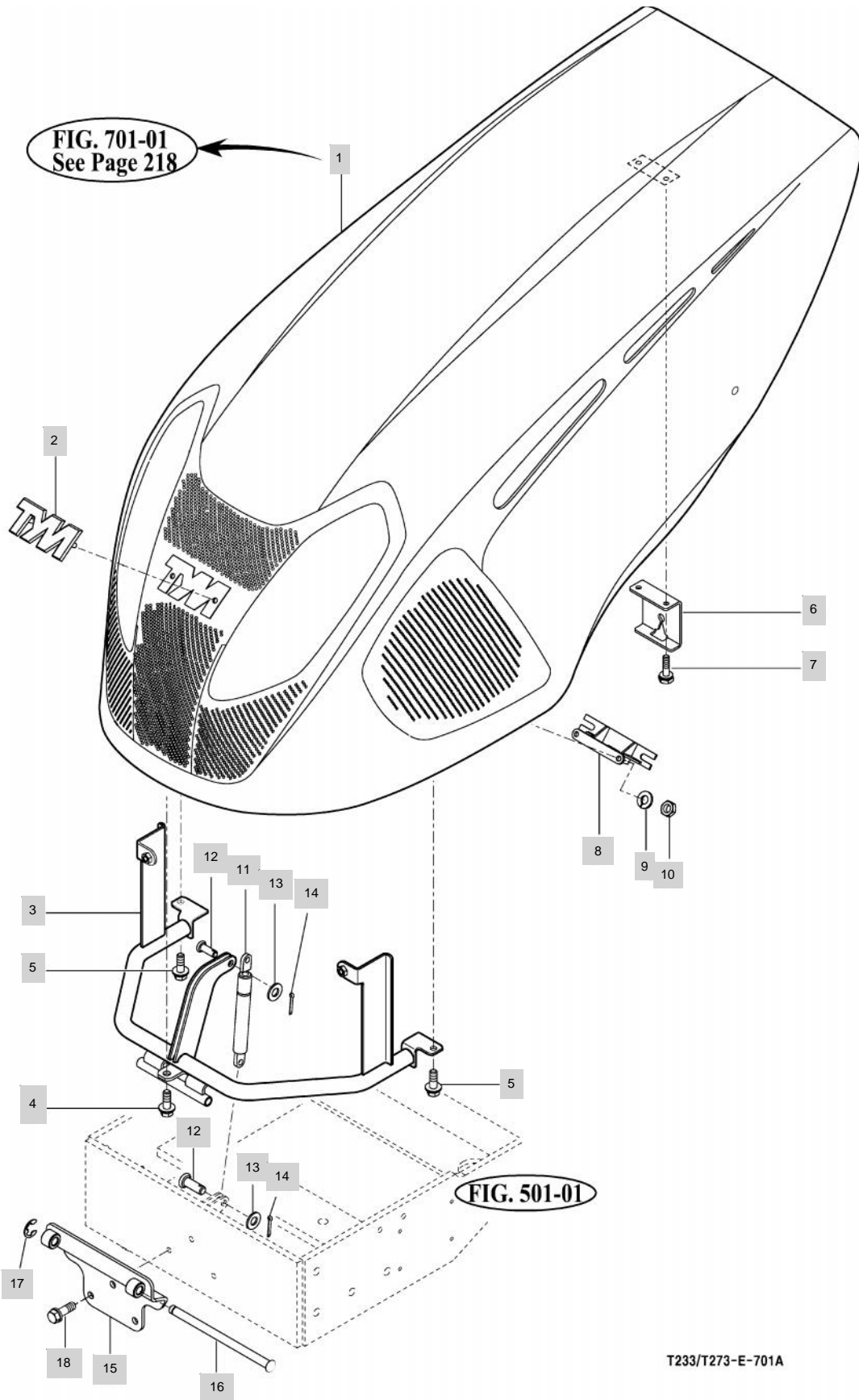
FIG 701A

BONNET (1)

년/월
Year/Month

2020.07

T233



NOTE

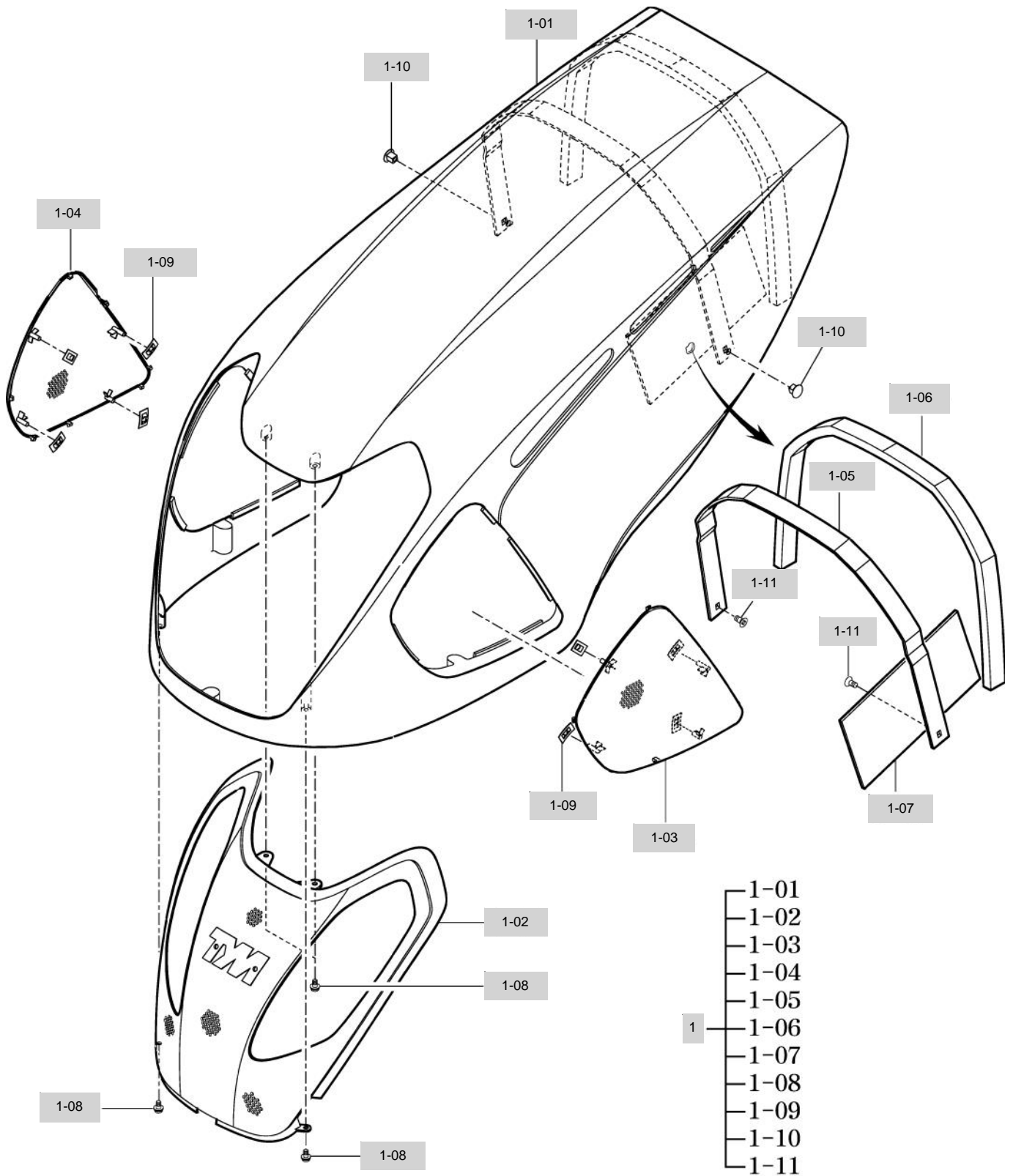
FIG 701B

BONNET (2)

년/월
Year/Month

2020.07

T233



NOTE

FIG 701B T233	BONNET (2)						년/월 Year/Month	
							2020.07	

KEY NO		PART NO	DESCRIPTION	SPEC	QTY	REPAIR	EFFECTIVE DATE	REMARKS
701B	1	13156012103	HOOD ASSY , ENGINE	1X1X1	1			
701B	1-01	13156012112SR	HOOD	1X1X1	1			
701B	1-02	13156012124	NET , FR	T=2.5	1			
701B	1-03	13156012133	NET , LH	T=2.5	1			
701B	1-04	13156012143	NET , RH	T=2.5	1			
701B	1-05	13156012151	PLATE , HOOD	1X1X1	1			
701B	1-06	13156030021	INSULATOR	1X1X1	0		20081024	
701B	1-07	16506010140	SPONGE	T=5.0	1		20050818	
701B	1-08	V1222806012	SCREW , C/R FLAT(SP)	M6X12	4			
701B	1-09	V3501600060	NUT, PUSH-ON SPRING	M6	8		20080305	
701B	1-10	13156012160	NUT , ROUND HEAD	1X1X1	2			
701B	1-11	V1122605010	SCREW , C/R FLAT	M5X10	2			
NOTE								

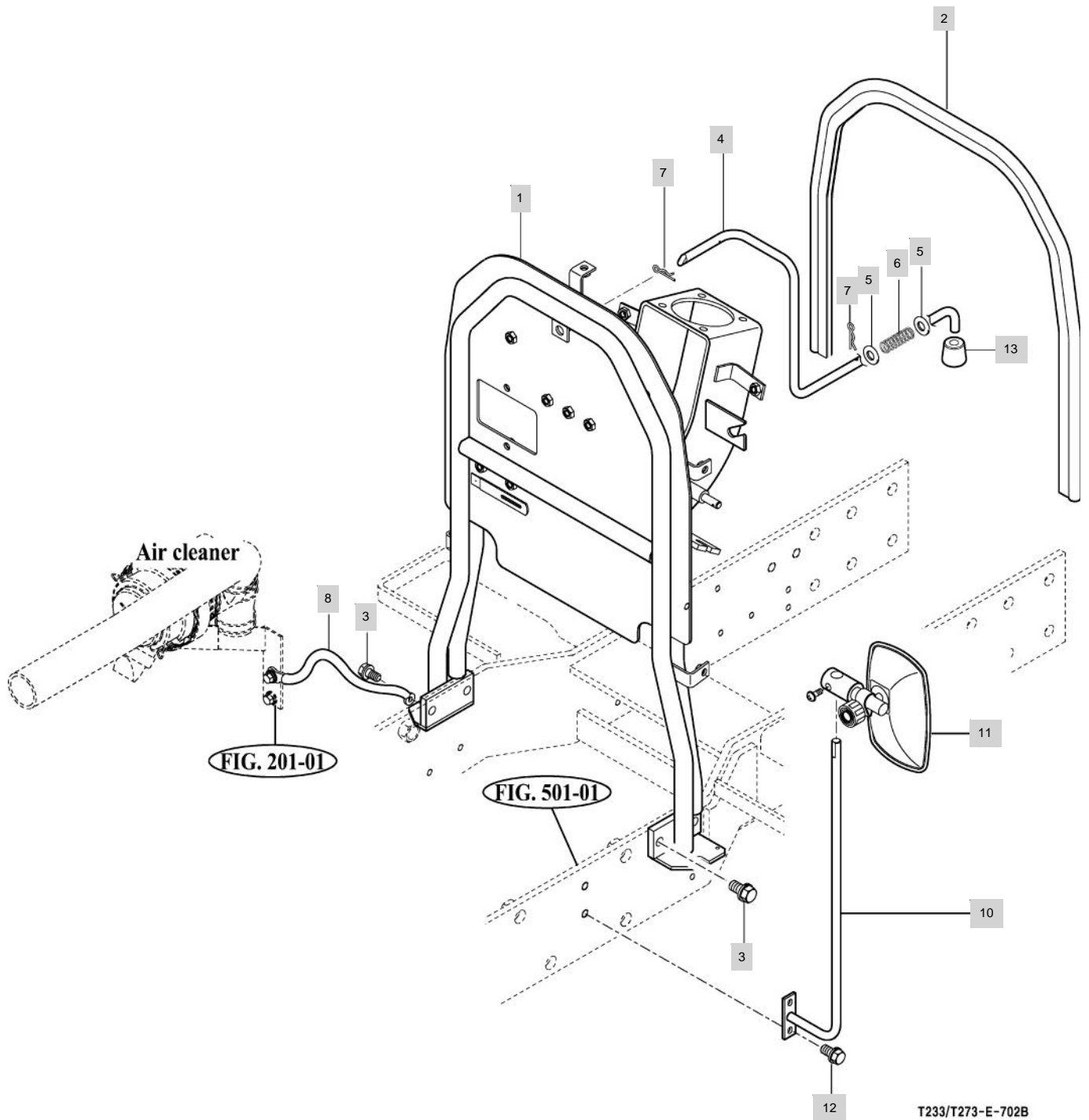
FIG 702

T233

DASH PANEL

년/월
Year/Month

2020.07



NOTE

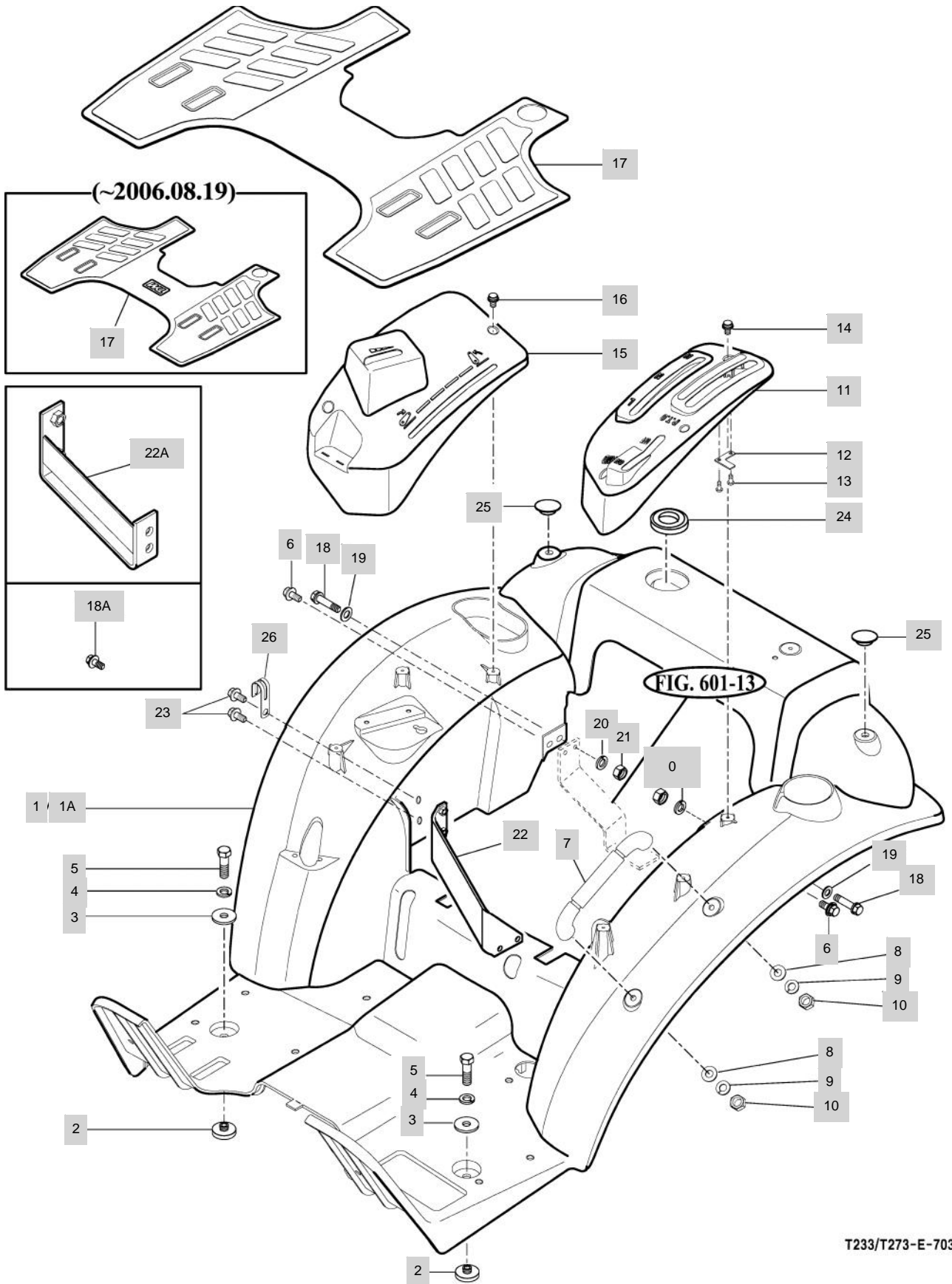
FIG 703

FLOOR

년/월
Year/Month

T233

2020.07



NOTE

FIG 704

T233

SEAT

년/월
Year/Month

2020.07

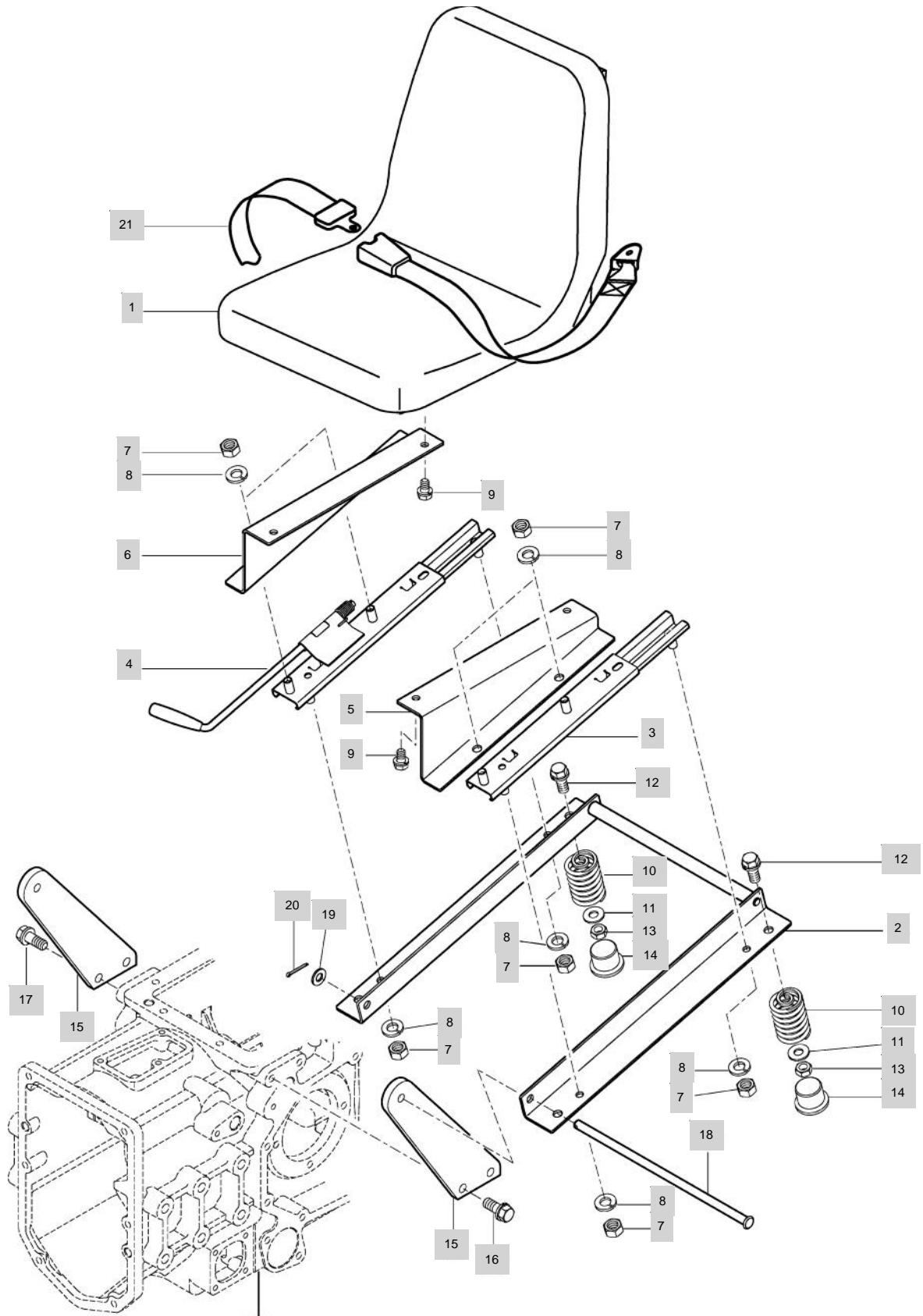


FIG. 410-01

T2334/T2734-E-704A

NOTE

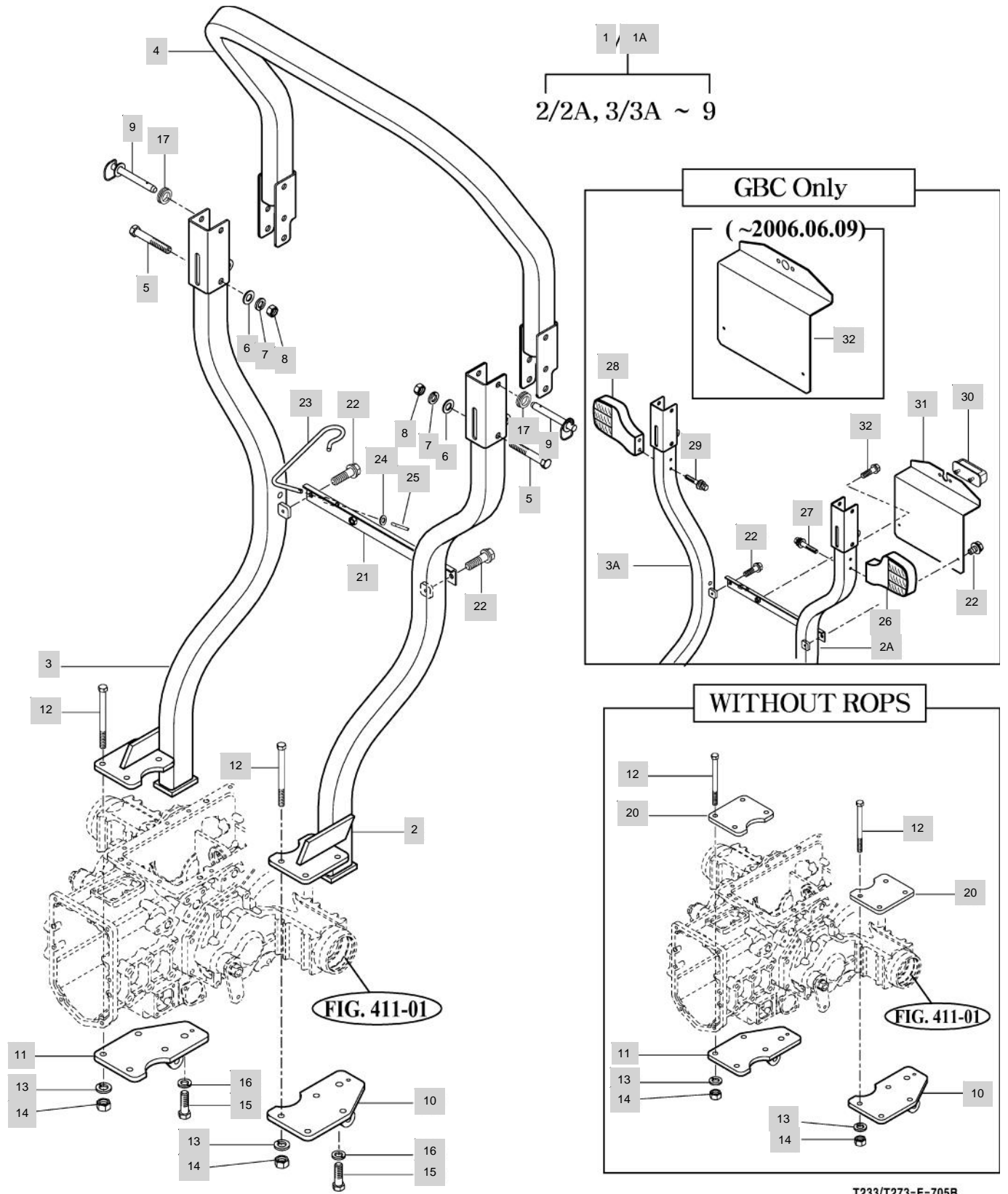
FIG 705

ROPS

년/월
Year/Month

T233

2020.07



NOTE

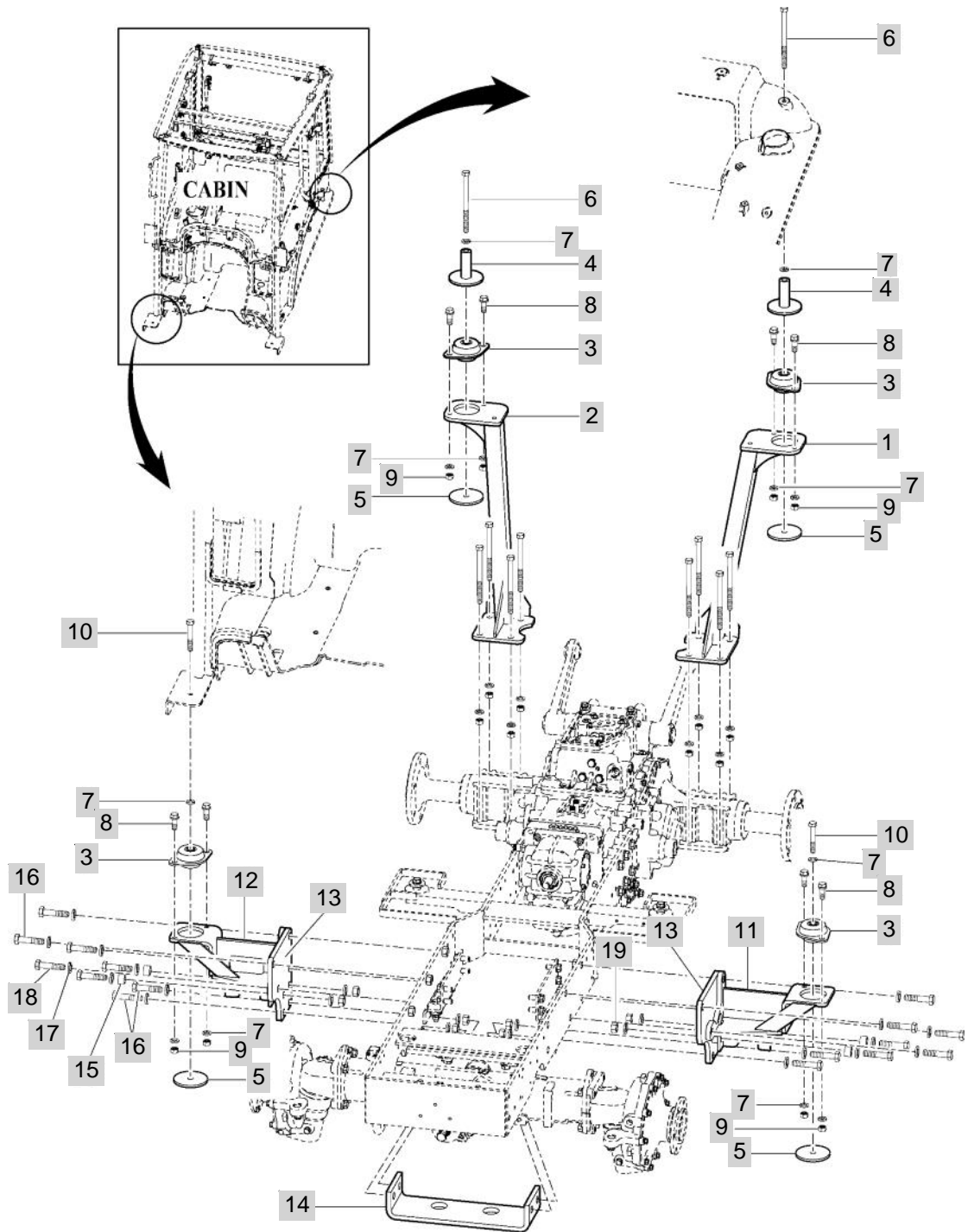
FIG 706

FRONT & REAR MOUNTING

년/월
Year/Month

2020.07

T233



NOTE

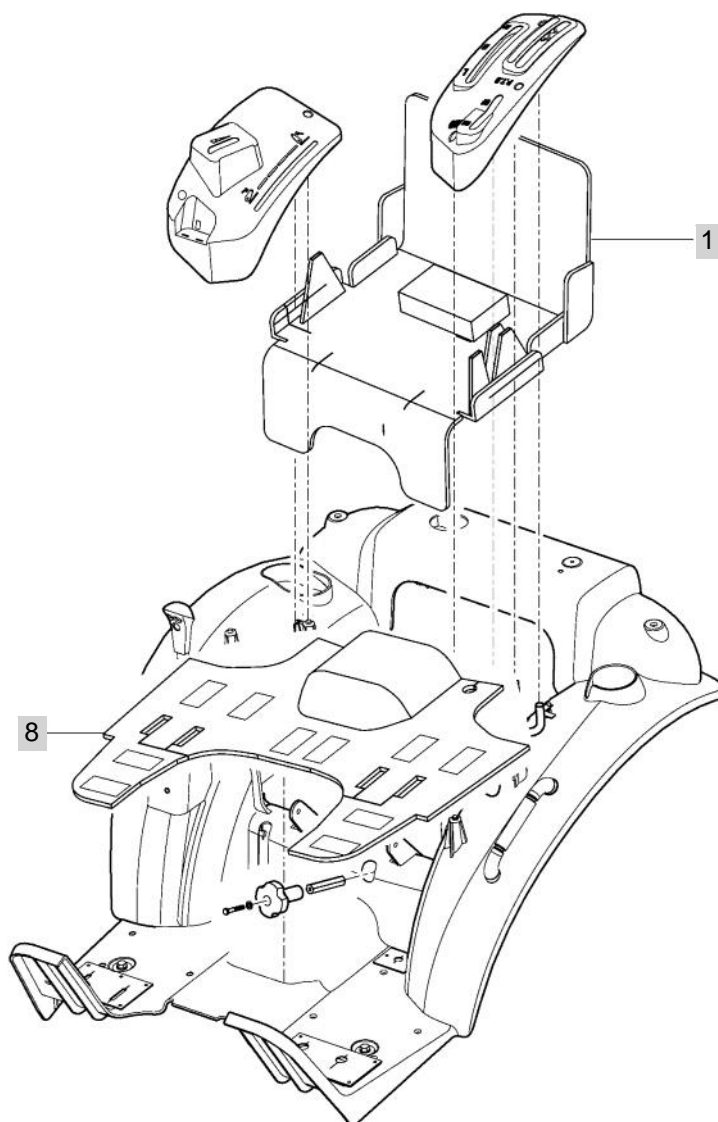
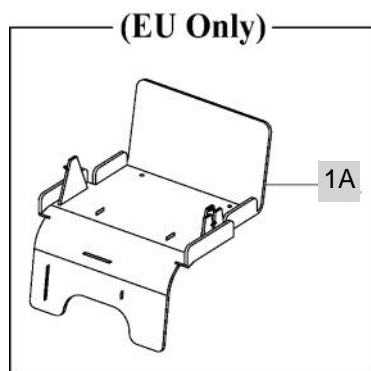
FIG 707A

SEAL FLOOR

년/월
Year/Month

2020.07

T233



NOTE

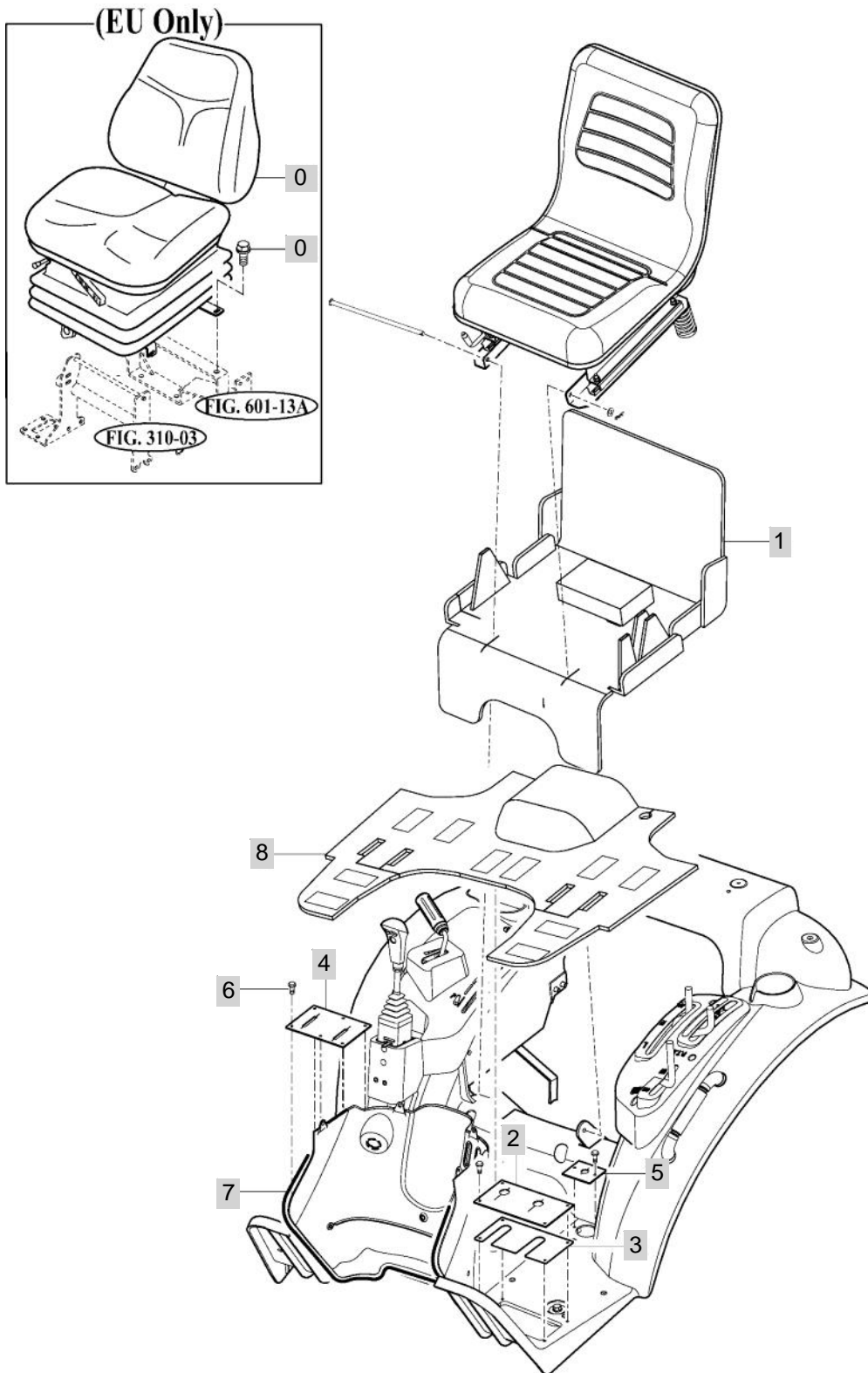
FIG 707B

SEAL FLOOR

년/월
Year/Month

2020.07

T233



NOTE

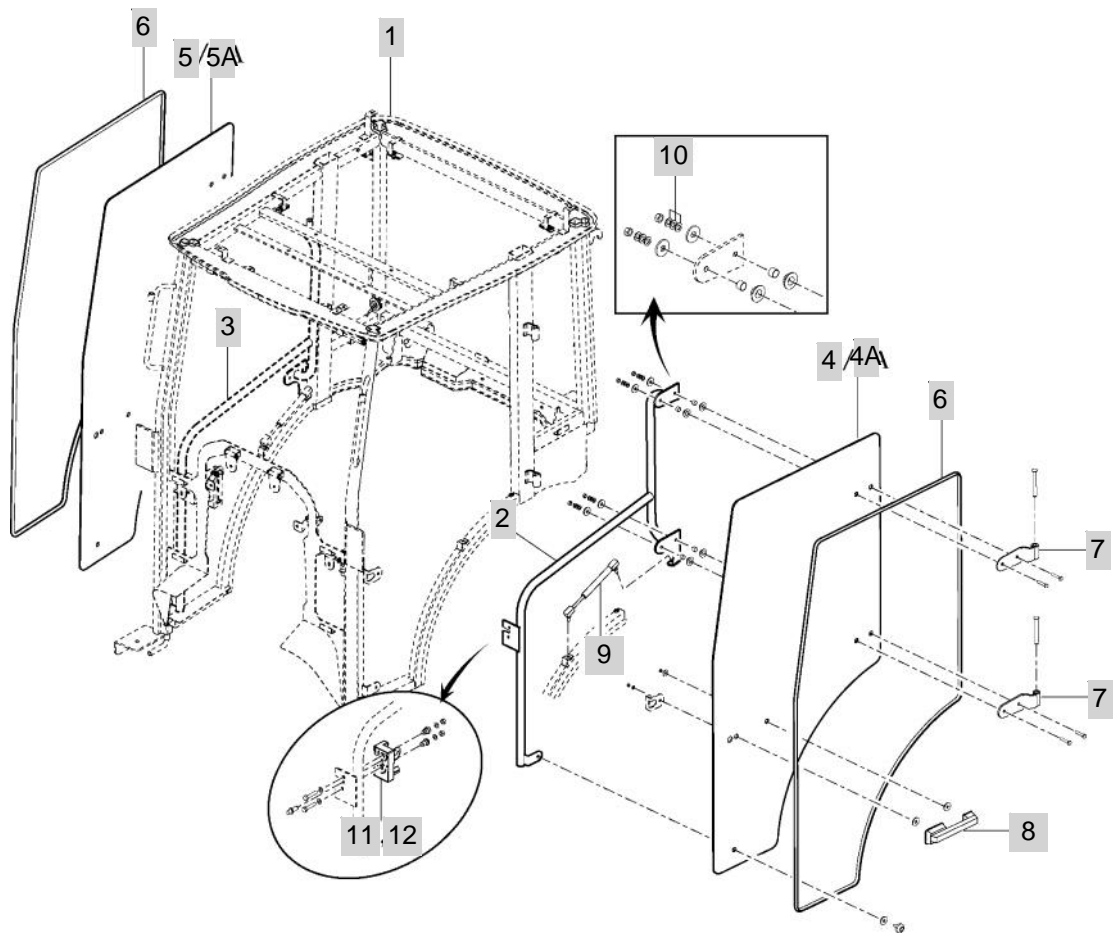
FIG 708

T233

CAB FRAME & DOOR

년/월
Year/Month

2020.07



NOTE

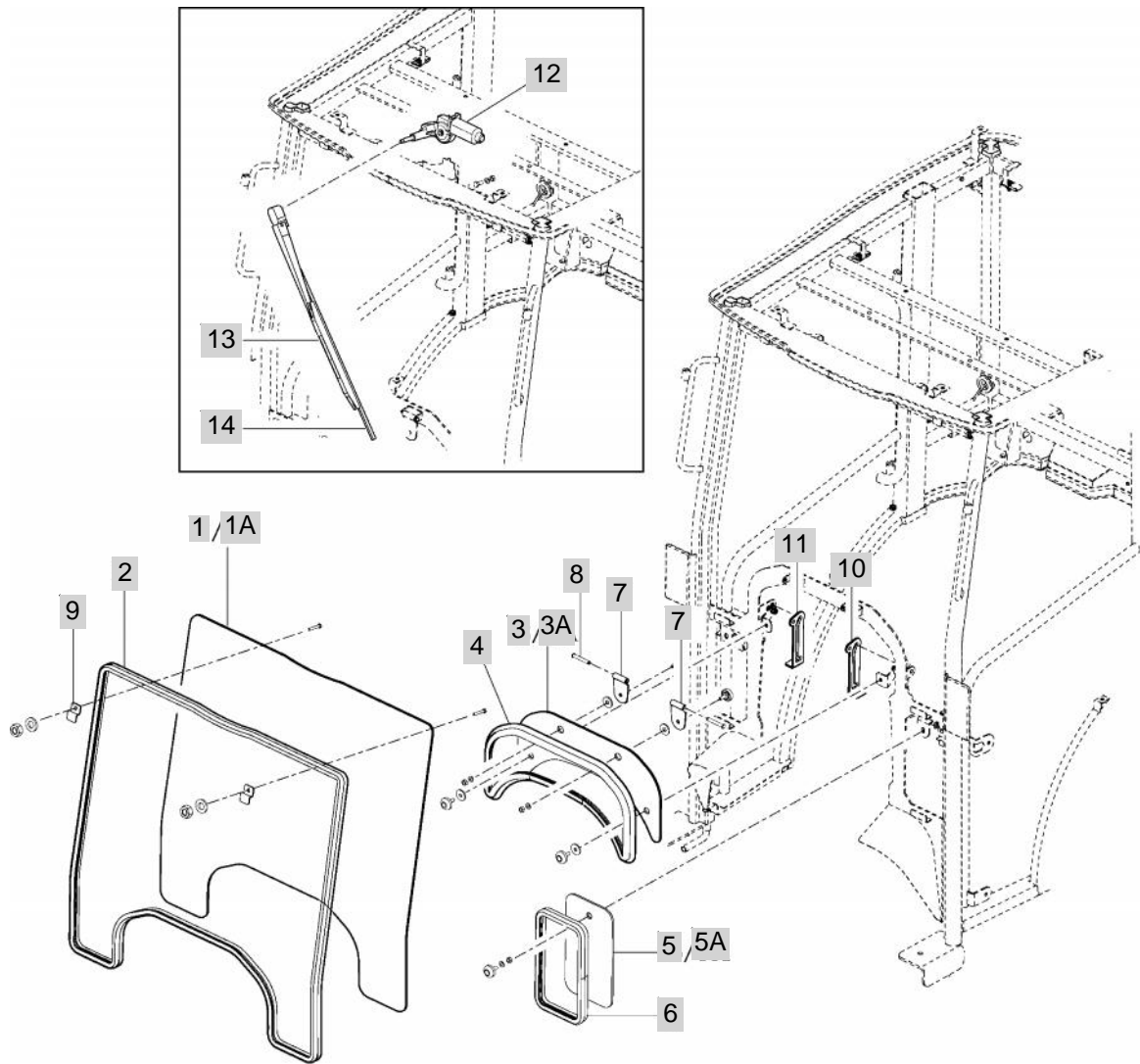
FIG 709

FRONT GLASS

년/월
Year/Month

T233

2020.07



NOTE

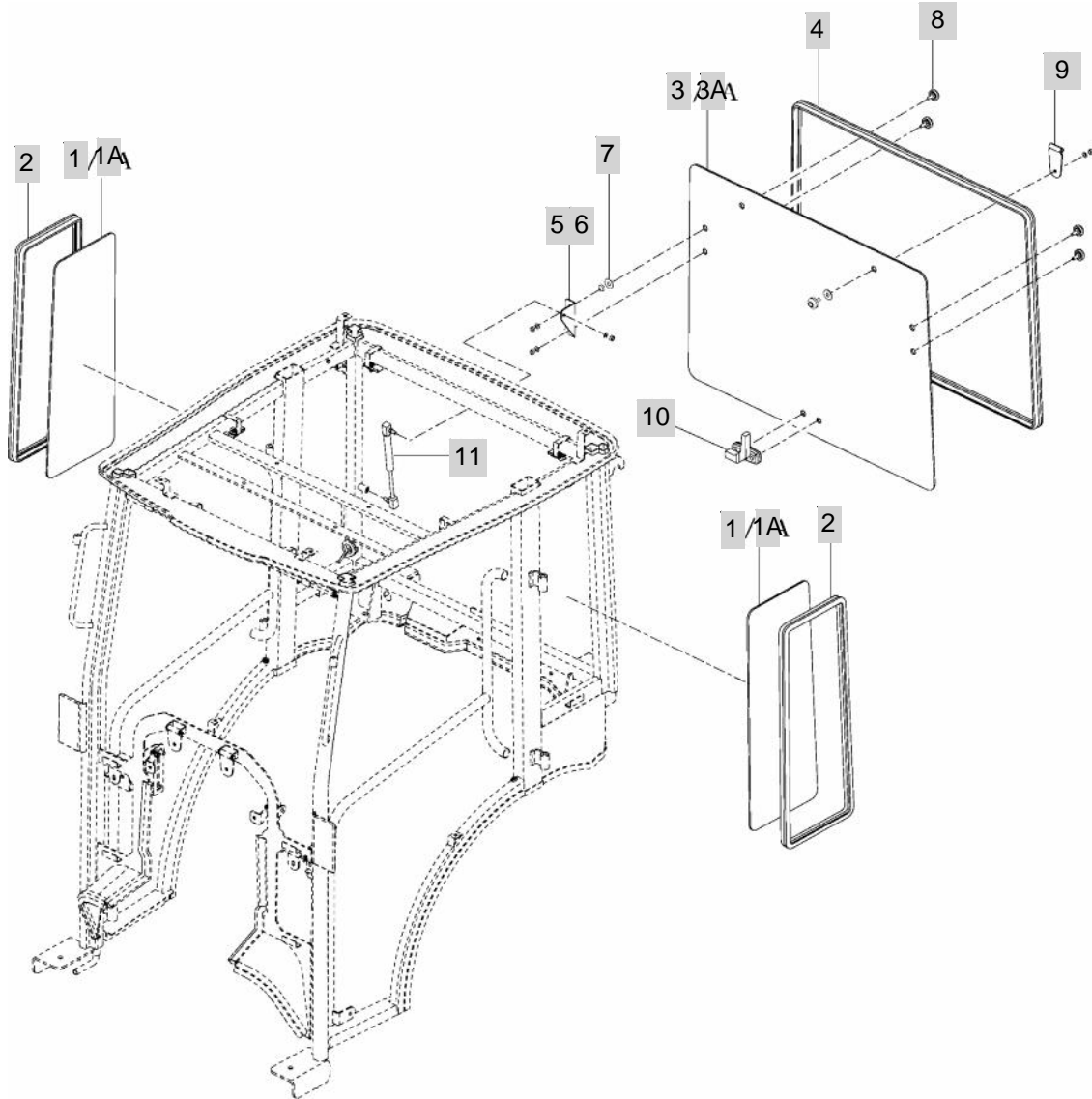
FIG 710

T233

SIDE & REAR GLASS

년/월
Year/Month

2020.07



NOTE

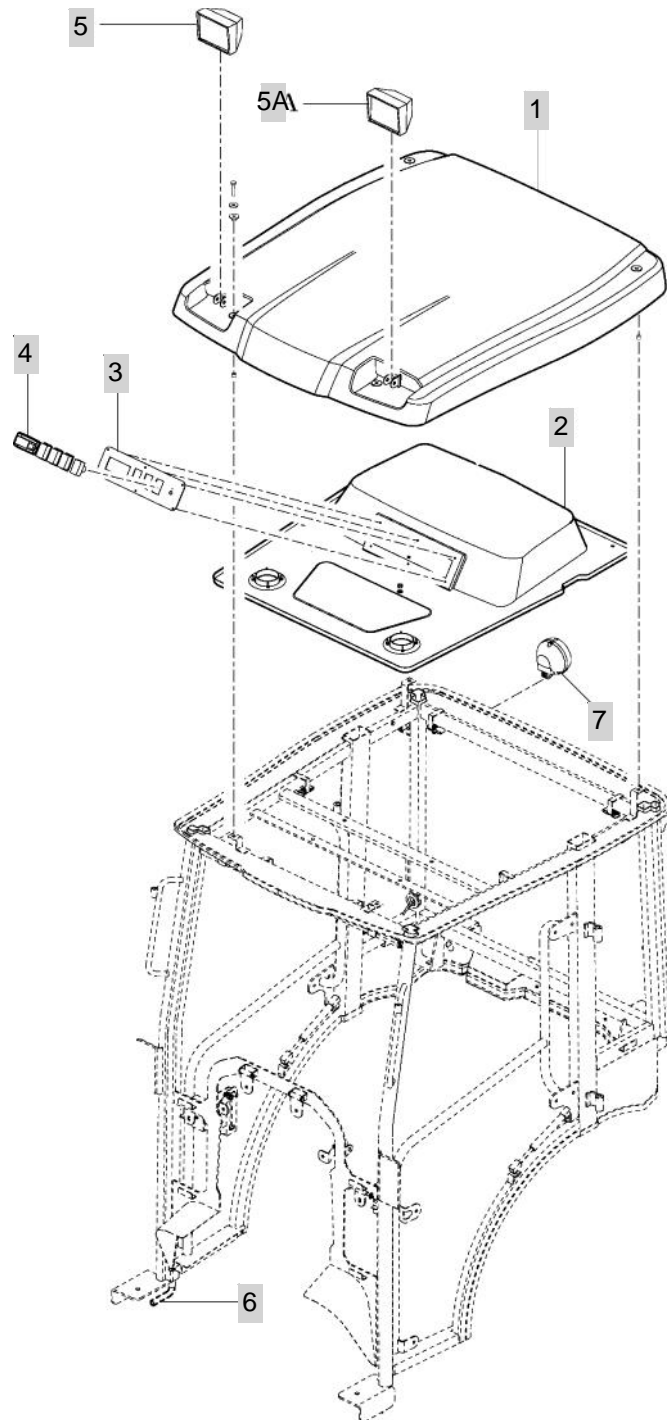
FIG 711

T233

ROOF

년/월
Year/Month

2020.07



NOTE

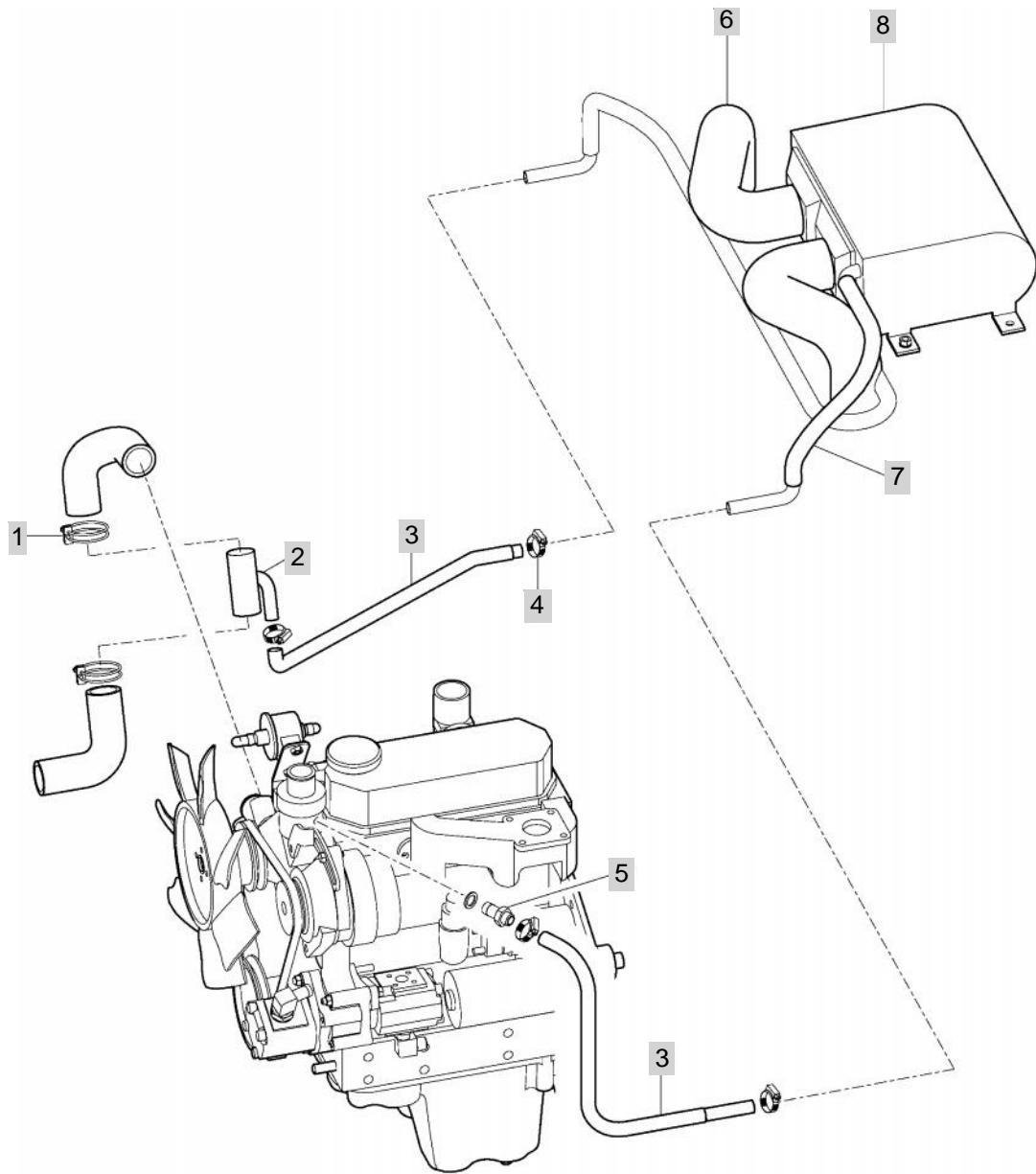
FIG 712

T233

HEATER

년/월
Year/Month

2020.07



NOTE

FIG 712		HEATER					년/월 Year/Month	
							2020.07	
T233								
KEY NO	PART NO	DESCRIPTION	SPEC	QTY	REPAIR	EFFECTIVE DATE	REMARKS	
712	1	1471010220	CLAMP , (50)			20100301		
712	2	14628202600	PIPE COMP	1X1X1				
712	3	19958200041	HEATER HOSE(IN, NO1)	L=900				
712	4	37681850160	BAND , CLAMP(22)			20101027		
712	5	13347033170	ADAPTOR(M16X1.5)	1X1X1				
712	6	13347023360	HOSE , DUCT	1X1X1				
712	7	13347026400	HOSE , HEATER	1X1X1		20100114		
712	8	13347026300	HEATER ASSY	1X1X1				
NOTE								

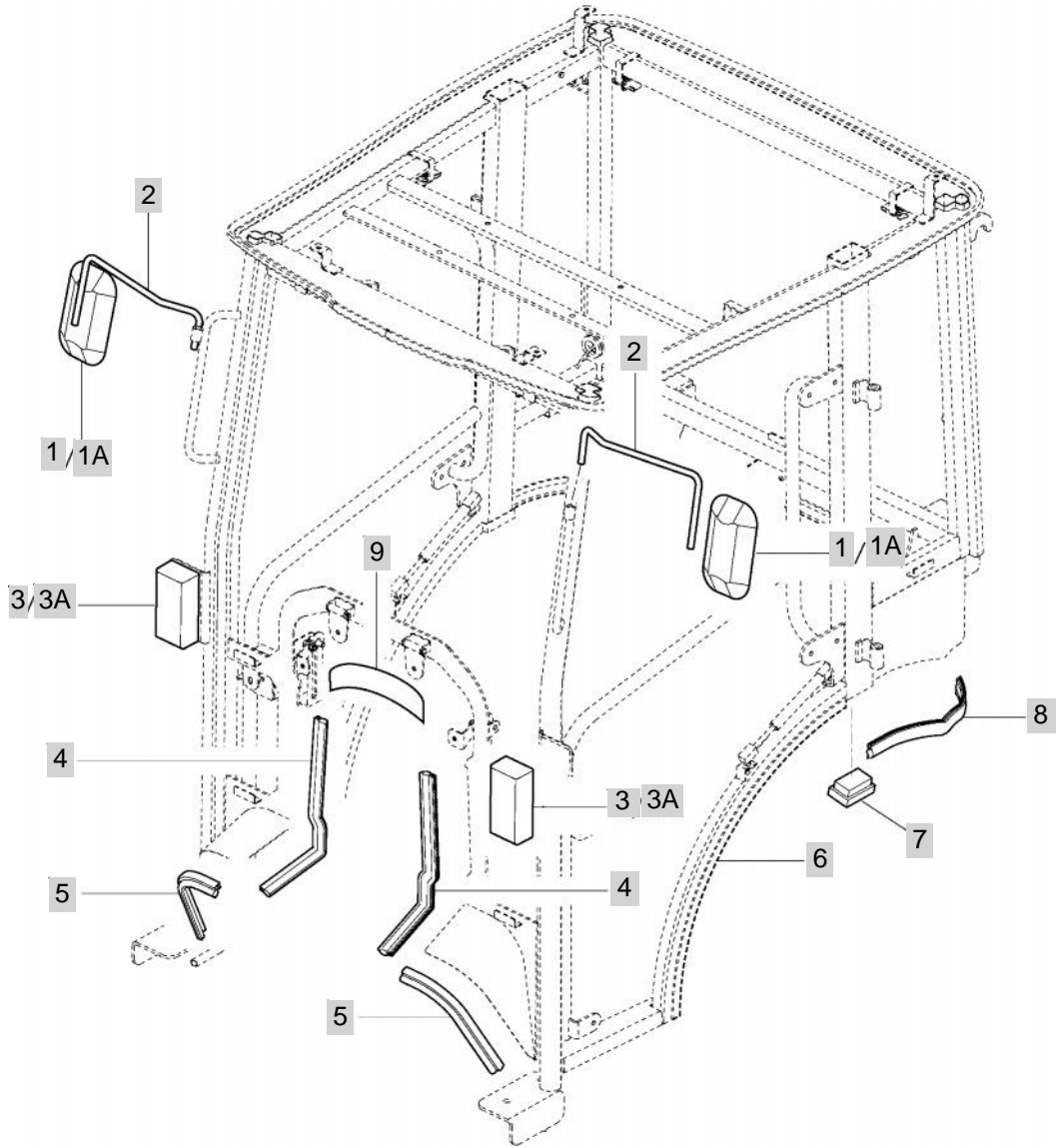
FIG 713

T233

INTERLOR PART

년/월
Year/Month

2020.07



NOTE

8. ELECTRICALS & HARNESS PART NO. T233-E-C8

FIG 801 BATTERY & MOUNTING	233
FIG 802 LIGHTS	235
FIG 803 INSTRUMENT PANEL	237
FIG 804 ELECTRIC SYSTEM	239
FIG 805 HARNESS	241
FIG 806 LAMP & COVER	243
FIG 807 HARNESS	245

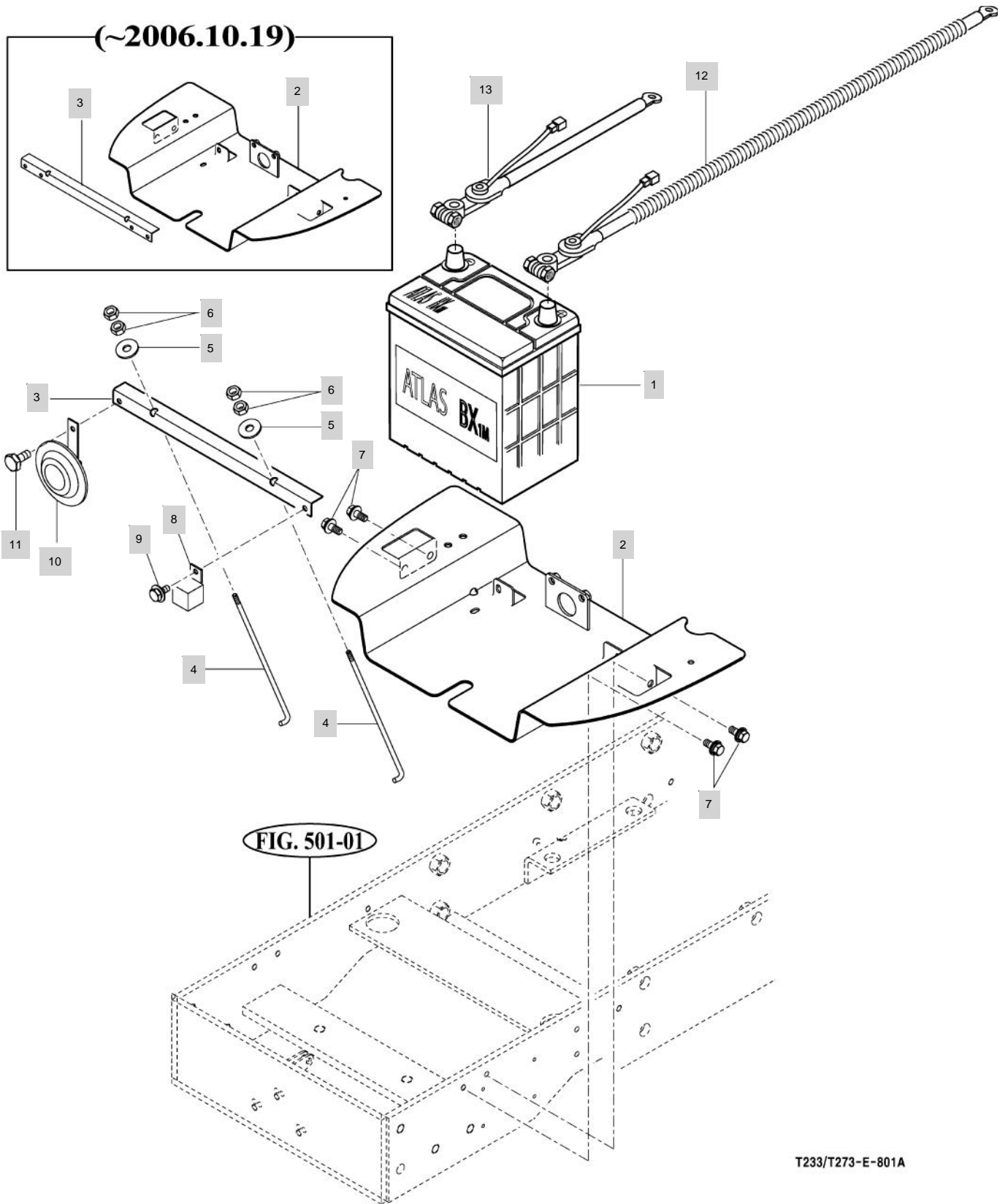
FIG 801

BATTERY & MOUNTING

년/월
Year/Month

2020.07

T233



NOTE

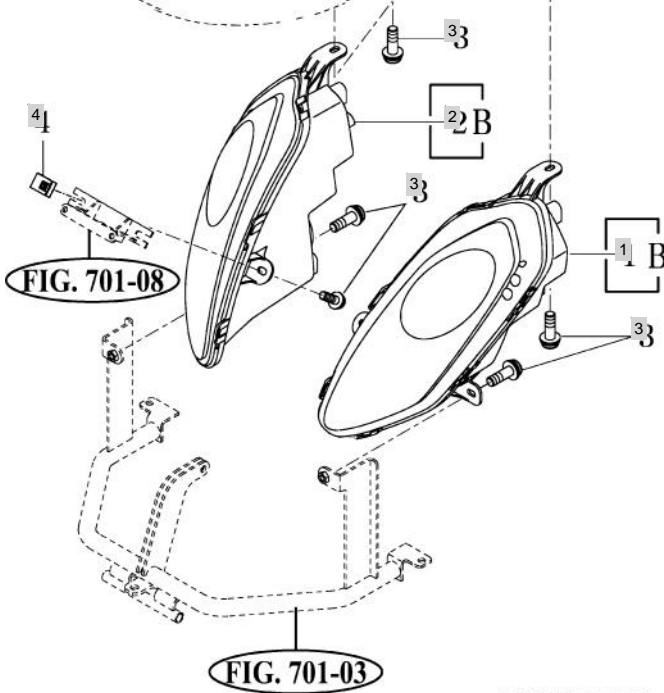
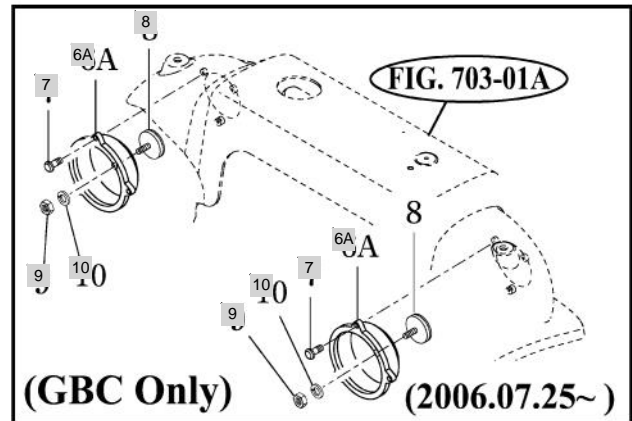
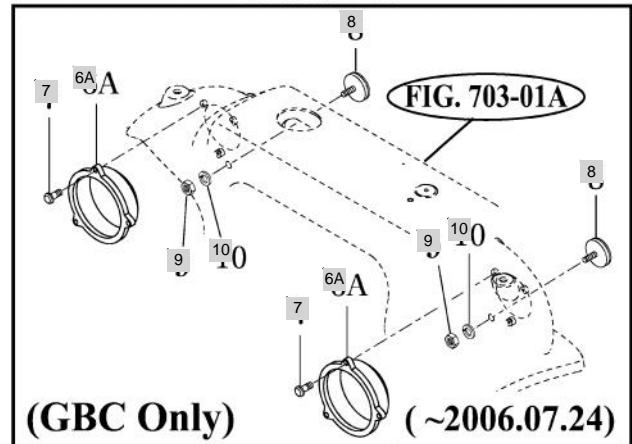
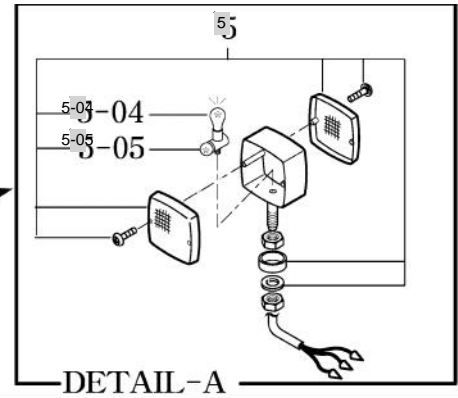
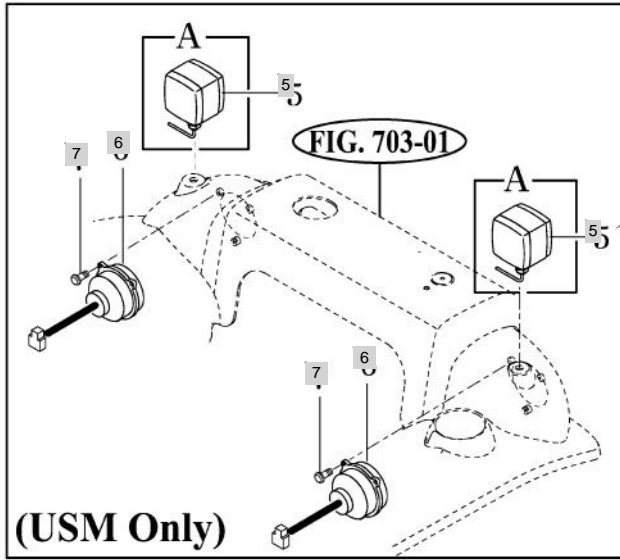
FIG 802

LIGHTS

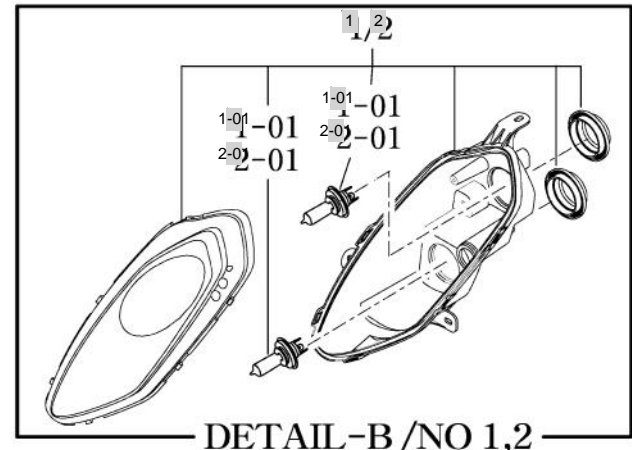
년/월
Year/Month

2020.07

T233



T233/T273-E-802B



NOTE

FIG 803

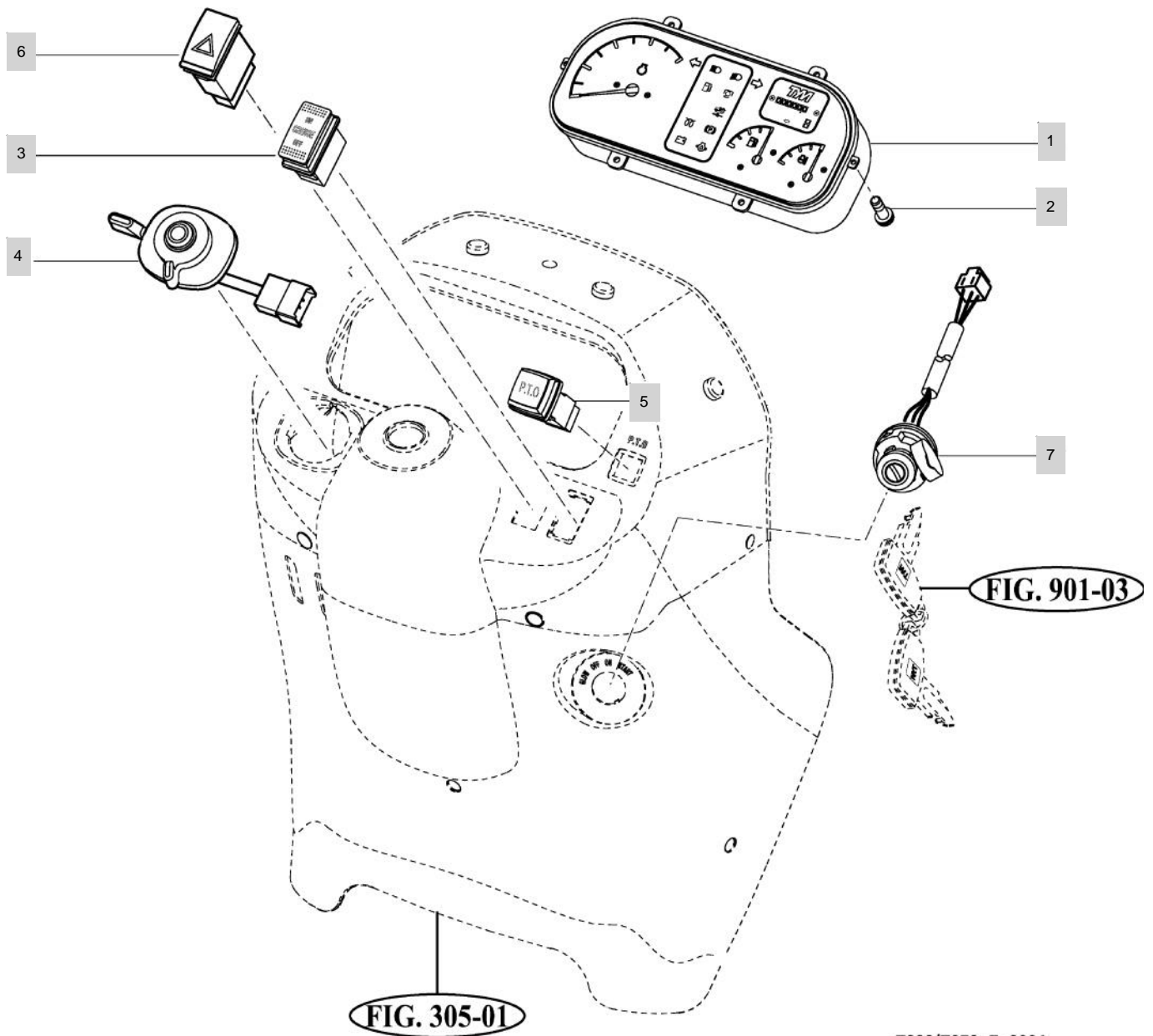
T233

INSTRUMENT PANEL

년/월
Year/Month

2020.07

Forward



T233/T273-E-803A

NOTE

FIG 804

T233

ELECTRIC SYSTEM

년/월
Year/Month

2020.07

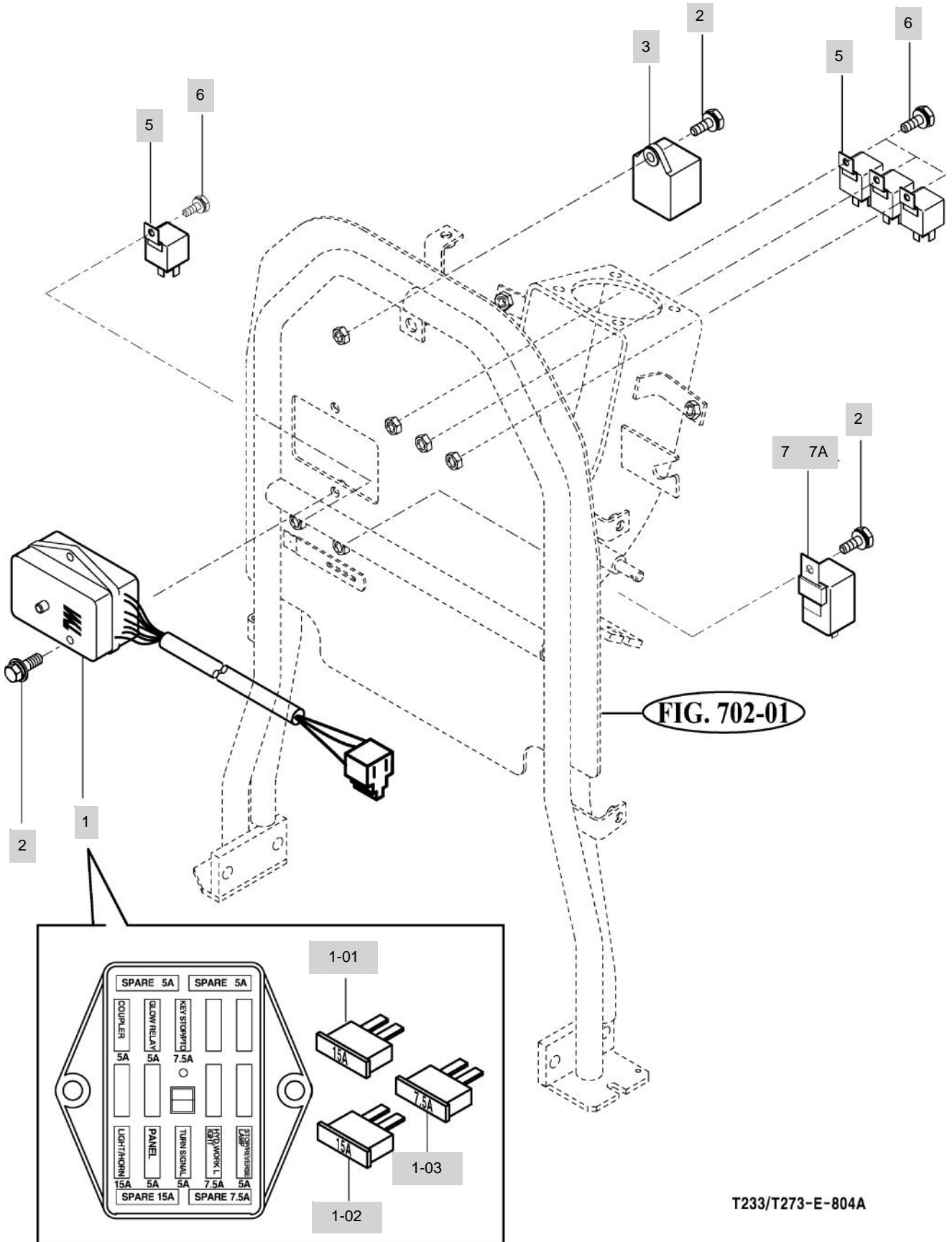


FIG. 702-01

T233/T273-E-804A

NOTE

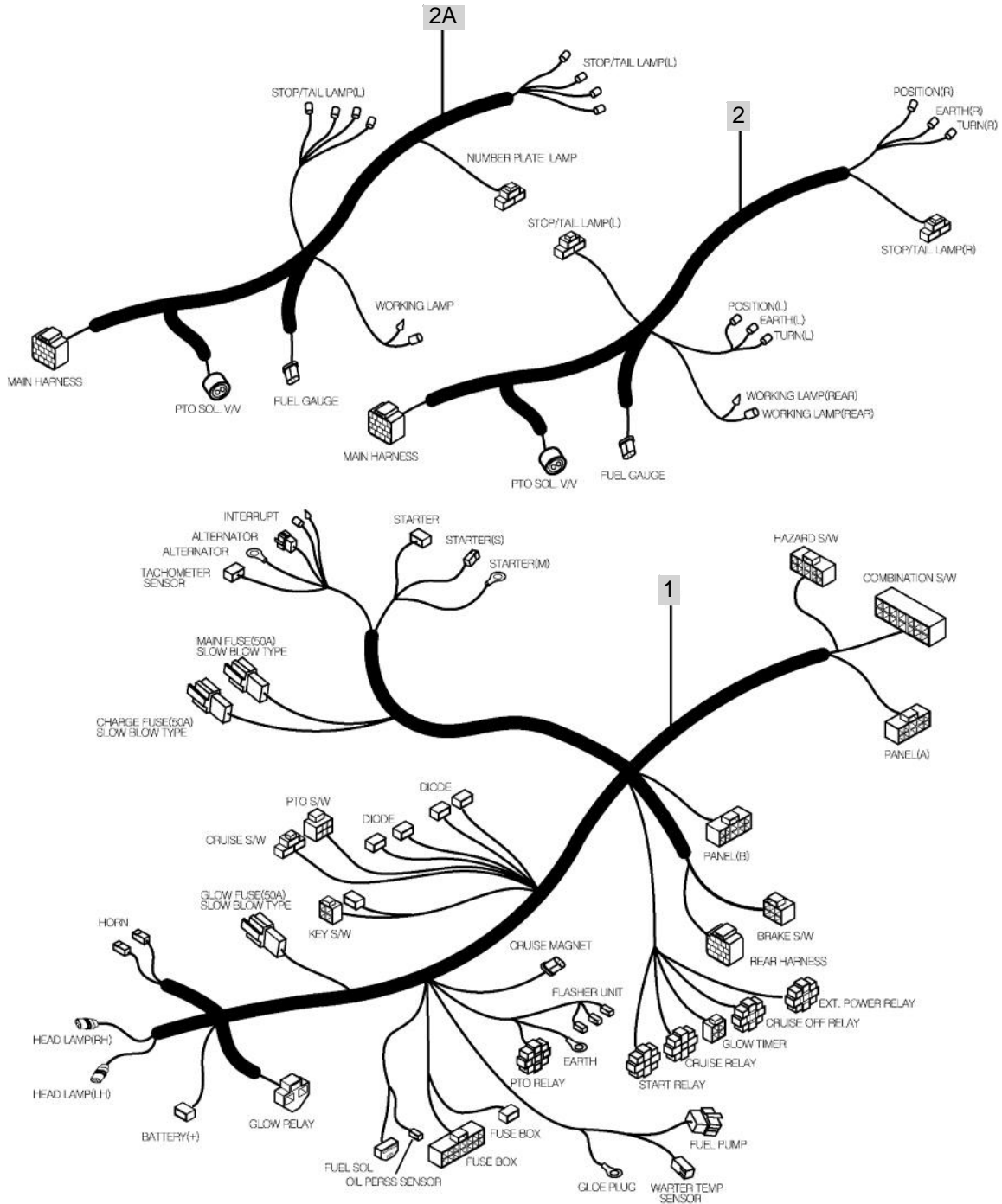
FIG 805

HARNESS

년/월
Year/Month

T233

2020.07



T233/T273-E-805A

NOTE

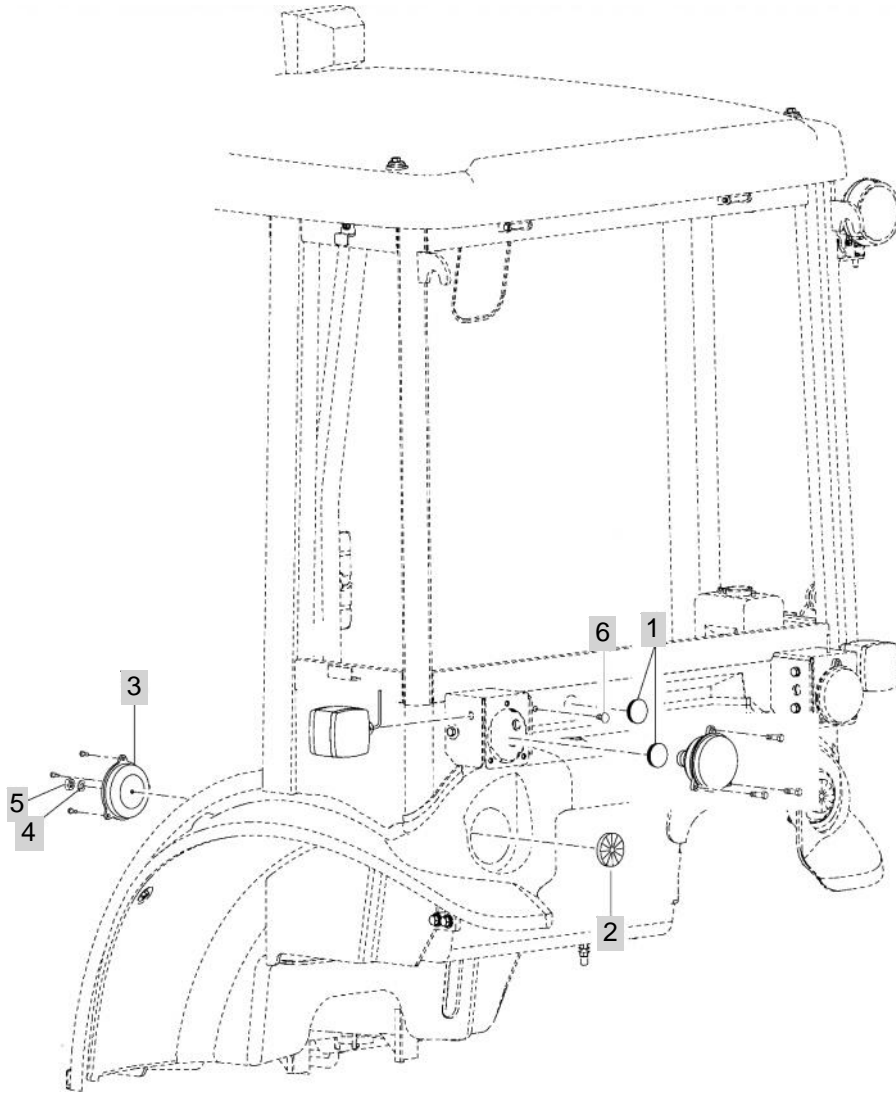
FIG 806

LAMP & COVER

년/월
Year/Month

2020.07

T233



NOTE

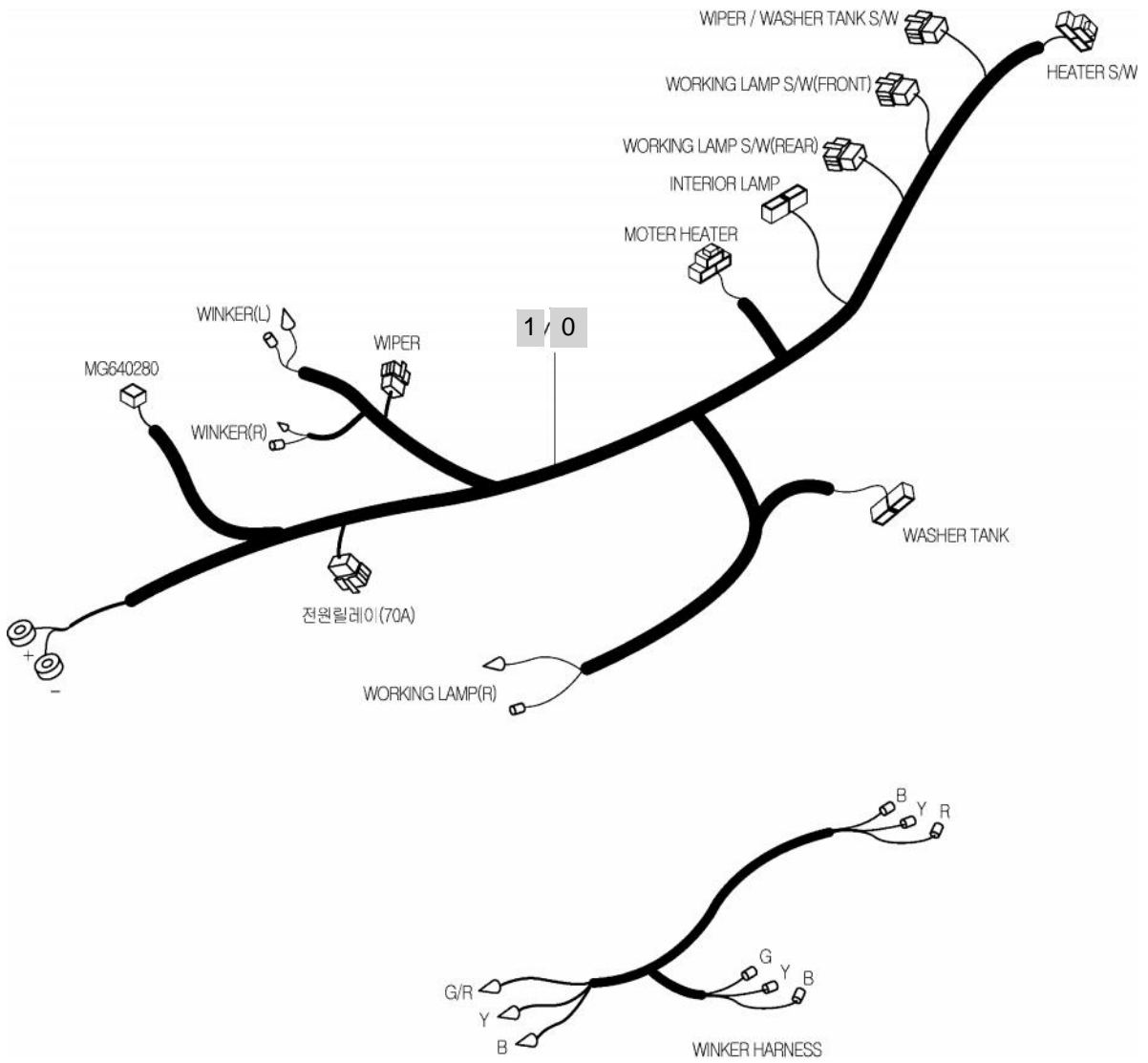
FIG 807

T233

HARNESS

년/월
Year/Month

2020.07



NOTE

9. WEIGHT,LABEL,TOOLS PART NO. T233-E-C9

FIG 901 TOOL & ACCESSORY	248
FIG 902 WEIGHT	250
FIG 903 LABEL	252

FIG 901

T233

TOOL & ACCESSORY

년/월
Year/Month

2020.07



1



2



3

T233/T273-E-901A

NOTE

FIG 901 T233	TOOL & ACCESSORY						년/월 Year/Month	
							2020.07	

KEY NO	PART NO	DESCRIPTION	SPEC	QTY	REPAIR	EFFECTIVE DATE	REMARKS
901	1	13159120020	OPERATOR'S MANUAL , K2	1X1X1	1		20061122
901	2	12129120030	PARTS CATALOGUE , T233/T273/T293NH/SHEUS	1X1X1	1		20120125
901	3	14446213202	KEY ASSY	1X1X1	1		20071123
NOTE							

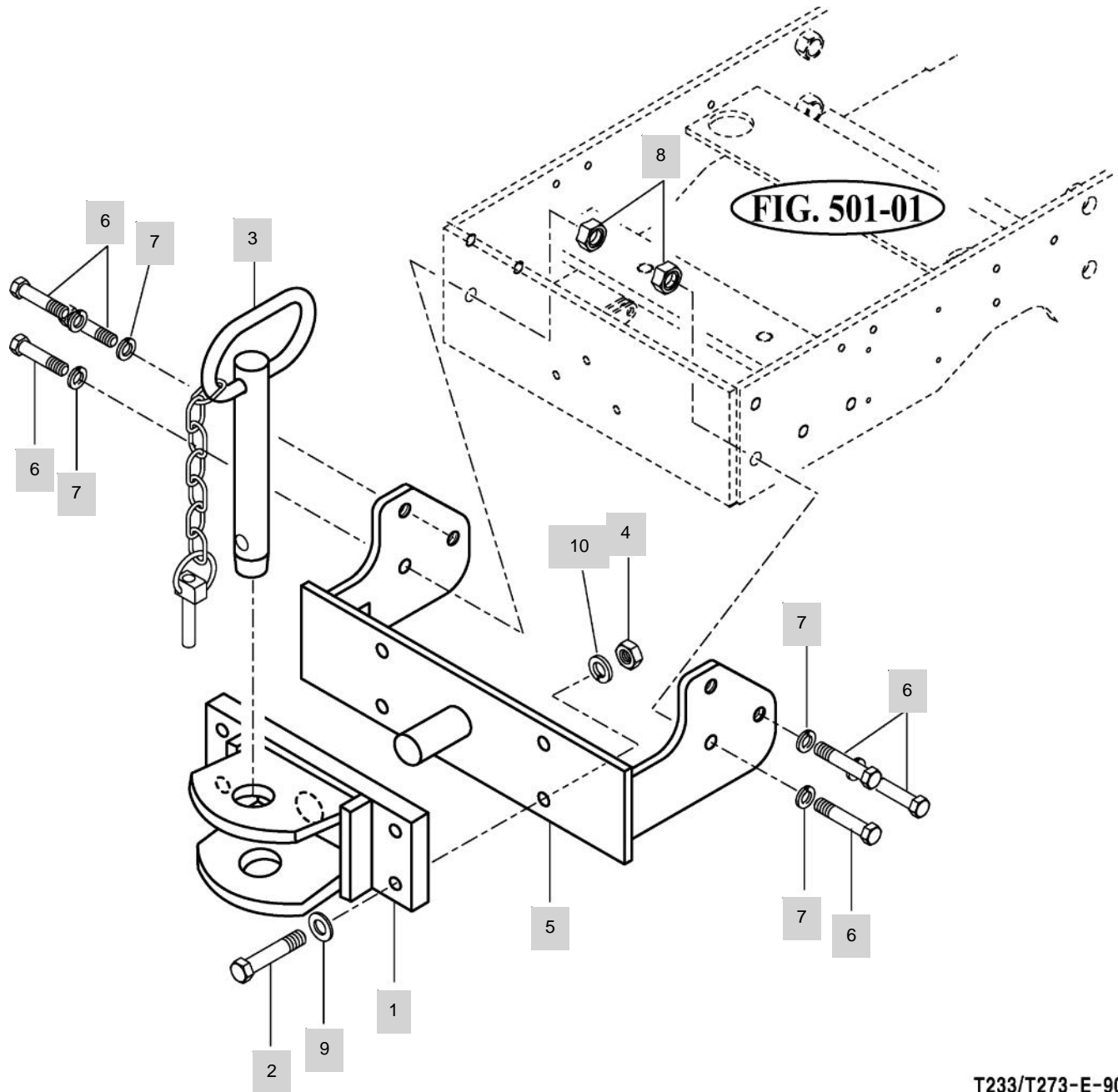
FIG 902

T233

WEIGHT

년/월
Year/Month

2020.07



T233/T273-E-902A

NOTE

FIG 903

LABEL

년/월
Year/Month

T233

2020.07

WARNING

Always apply the park brake when parking. Failure to do so can cause accidents and damages.

1200-910-002-0

1

WARNING

Work in ventilated Area.

1200-910-003-0

2

WARNING

Always set the knob to lock when

- 1.Travelling on the road.
- 2.Replacing blades on an implement
- 3.Making adjustment to an implement

Sudden dropping of an implement can cause serious injury or death.

1200-910-004-0

3

WARNING

Do not refuel the tractor while smoking or near naked flame or sparks. always stop engine before refueling tractors.

1200-910-005-0

4

WARNING

Never use the diff-lock at high speed or on the road as this can cause rollover and injury.

1200-910-006-0

5

WARNING

Brake pedals must always be locked together when travelling on the highway. This will ensure uniform braking and provide maximum stopping ability sharp turns must only be made at slow speeds.

1200-910-007-0

6

CAUTION

Keep hands and clothing away from rotating fan and belts to prevent serious injury.

1200-910-012-0

7

DANGER

Rotating driveline contact can cause death. KEEP AWAY! Keep all drive line. Tractor and equipment shields in place during operation.

1200-910-013-0

8

WARNING

Attach implements and trailers to the tractor only using the prescribed draw-bar or hitch.

1200-910-014-0

9

WARNING

Do not remove radiator cap while engine is hot. Hot steam will injure you.

1200-910-015-0

10

DANGER

Do not ride except operator.

1200-910-016-0

11

WARNING

Always fasten Your seat belt.

1200-910-019-0

12

CAUTION

Do not touch while the system is hot. It cause serious burns

1200-910-024-0

14

Operator's manual

1200-910-023-0

13

1788-920-005-0

15

1788-910-017-0

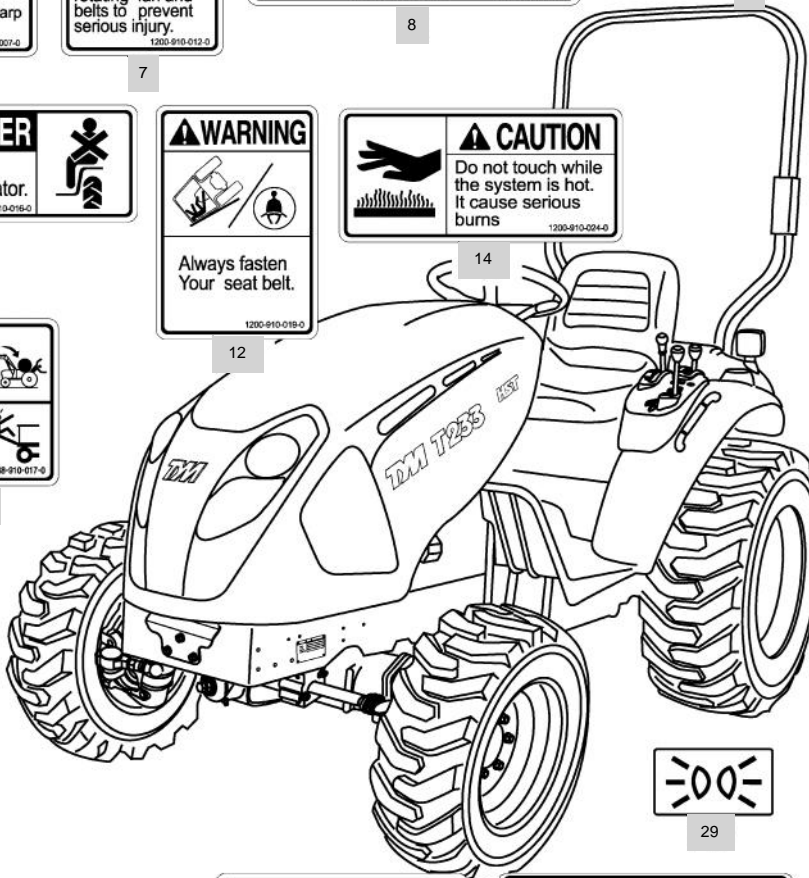
16

PARKING BRAKE

Press down the master brake pedal and lock the parking lever at the same time

1472-904-013-0

21



This ROPS frame was tested in accordance with OECD Standard (Code 7) (Equivalent to AS 1636.2) for use on Tong-Yang(TYM) tractor models T233 and T273 with a maximum weight(GVM) of 900kg. Manufactured by HAN-SUNG Co, KOREA Test station : NATIONAL INSTITUTE OF AGRICULTURAL ENGINEERING, KOREA

1815-910-005-0

23 / 23A

29

29

HST TM T233

17

TM T233 HST

18

P.T.O ON — OFF

22

R M+R M

30

This Tractor may tip over unexpectedly and quicker than an operator is able to jump free

- 1.Never operate a tractor without a proper Roll over Protection Structure.(ROPS)
- 2.Always wear your seat belt when operating this tractor equipped with roll over protection.
- 3.Never pull from above or from the rear axle.
- 4.Do not operate the tractor on steep slopes or near drop offs
- 5.Avoid sharp high speed turns

Serious injury or death may result from tractor upsets.

1220-904-901-0

24

Death or injury may result if this tractor over turns with the ROPS in the folded down position. Operate this tractor with the ROPS folded down only when necessary. Do not wear seat belt if operated with ROPS folded down

1220-904-502-0

25

26

26

27

27

TONGYANGMOOLSAN CO.,LTD.

TYPE T-CC1
EEC NO.

S e13 0041

TOWABLE MASS 3000KG
VERTICAL LOAD 300KG

28

T233-E-903

NOTE

